



**CRAWLER CRANE  
CC 8800-1**

**DATASHEET METRIC**

# CC 8800-1



**WORKS FOR YOU.™**

|  | Page · Seite · Page: |
|--|----------------------|
| <b>Specifications · Technische Daten · Caractéristiques</b> .....  | 5                    |
| <b>Boom combinations · Ausleger-Kombinationen · Combinaisons de flèche</b> .....   | 10                   |
| <b>Superlift configurations · Superlift-Konfigurationen · Combinaisons Superlift</b> .....                                   | 12                   |
| <br>   |                      |
| <b>Main boom with SL · Hauptausleger mit SL · Flèche principale avec SL<br/>(SSL, HSSL, SSL / LSL)</b> .....                 | 13                   |
| <br>   |                      |
| <b>Luffing fly jib with SL · Wippbarer Hilfsausleger mit SL · Fléchette à volée variable avec SL<br/>(SWSL / SFSL)</b> ..... | 17                   |
| <br>   |                      |
| <b>Fixed fly jib with SL · Starrer Hilfsausleger mit SL · Fléchette fixe avec SL<br/>(SFVL)</b> .....                        | 51                   |
| <br>   |                      |
| <b>Technical description · Technische Beschreibung · Descriptif technique</b> .....  | 54                   |

## Zeichenerklärung · Légende



Track · Spur · Voie



Counterweight + central ballast (ZB) · Gegengewicht + Zentralballast (ZB) · Contrepoids + lest central (ZB)



Superlift counterweight · Superlift-Gegengewicht · Contrepoids Superlift



Superlift radius · Superlift-Radius · Rayon Superlift



Load radius · Lastradius · Portée



Main boom · Hauptausleger · Flèche principale



Fly jib · Hilfsausleger · Fléchette



Main boom angle · Hauptauslegerwinkel · Jarret de flèche principale



Fly jib angle · Hilfsauslegerwinkel · Jarret de fléchette



Wind speed in m/s (meter per second) · Windgeschwindigkeit in m/s · Vitesse du vent en m/s

„D“



S: heavy · schwer · lourd

L: light · leicht · léger

H: Main boom · Hauptausleger · Flèche principale

W: Luffing fly jib · Wippbarer Hilfsausleger · Fléchette à volée variable

F: Fixed fly jib · Starrer Hilfsausleger · Fléchette fixe

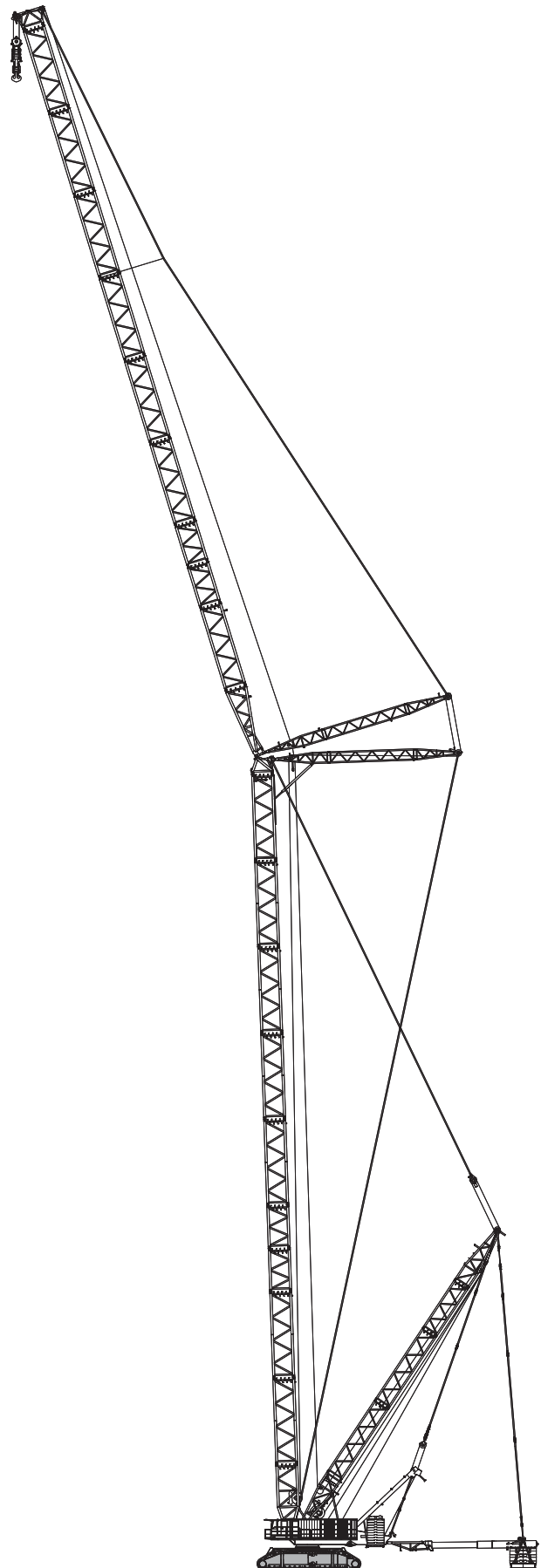
SL: Superlift

V: Vessellift

SGL: Heavy base length · Schwere Grundlänge · Longueur de base lourde

### Features:

- ▶ Max. capacity 1600 t
  - ▶ Max. load moment 24002 mt
  - ▶ Superlift radii 19-30 m
  - ▶ Excellent capacities at the luffing fly jib
  - ▶ Redundant drivelines
  - ▶ 400 V power supply
  - ▶ Optional TWIN-Kit for capacities up to 3200 t
- 
- ▶ Max. Tragfähigkeit 1600 t
  - ▶ Max. Lastmoment 24002 mt
  - ▶ Superliftradien 19-30 m
  - ▶ Ausgezeichnete Tragfähigkeiten am wipbaren Hilfsausleger
  - ▶ Redundante Antriebseinheiten
  - ▶ 400 V Stromaggregat
  - ▶ Optionales TWIN-Kit für Tragfähigkeiten bis 3200 t
- 
- ▶ Capacité maximale de 1600 t
  - ▶ Moment de charge maximum 24002 mt
  - ▶ Radius superlift 19-30 m
  - ▶ Excellentes capacités avec la volée variable
  - ▶ Double unité d'entraînement
  - ▶ Groupe électrogène de 400 V
  - ▶ En option le kit TWIN pour des capacités jusqu'à 3200 t



# SPECIFICATIONS

CC 8800-1

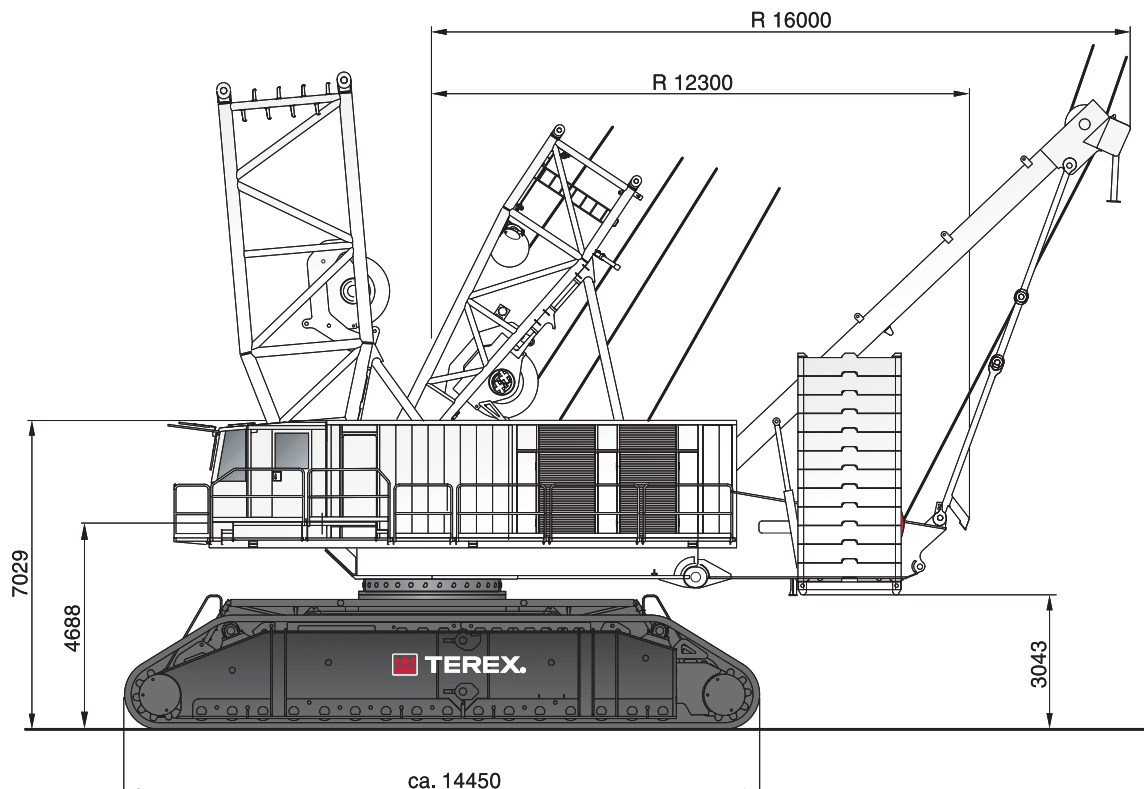
## Technische Daten · Caractéristiques

Working speeds (infinitely variable) · Arbeitsgeschwindigkeiten (stufenlos regelbar) ·  
Vitesses de travail (réglables sans paliers)

| Mechanisms<br>Antriebe<br>Mécanismes   | Rope $\varnothing$<br>Seil- $\varnothing$<br>$\varnothing$ du câble | Speeds <sup>1)</sup><br>Geschwindigkeiten <sup>1)</sup><br>Vitesses <sup>1)</sup> | Single line pull <sup>2)</sup><br>Seilzug je Strang <sup>2)</sup><br>Effort sur brin simple <sup>2)</sup> | Length of hoist rope<br>Länge des Hubseils<br>Longueur du câble de levage |
|--|---|---|---|---|
| Hoist I+II (H1+H2)<br>Hubwerk I+II (H1+H2)<br>Treuil de levage I+II (H1+H2)                    | 40 mm   | max. 120 m / min  | 352 kN / 316 kN   | 1540 m  |
| Runner winch R (H3) – option<br>Runnerwinde R (H3) – Option<br>Tambour potence R (H3) – option | 40 mm   | max. 90 m / min   | 352 kN  | 700 m   |
| Boom derricking (W2)<br>Wippwerk Hauptausleger (W2)<br>Variation de flèche (W2)                | 40 mm   | max. 120 m / min  |   |   |
| Boom hoist (E)<br>Einziehwerk (E)<br>Relevage de flèche (E)                                    | 40 mm   | max. 40 m / min   |   |   |
| Jib luffing (W1)<br>Wippwerk Hilfsausleger (W1)<br>Variation de volée (W1)                     | 40 mm   | max. 105 m / min  |   |   |
| Slewing (rpm)<br>Drehwerk (U / min)<br>Orientation (tr / mn)                                   |   | 0 – 0,6 <sup>1</sup> /min   |   |   |

<sup>1)</sup> top layers · oberste Lagen · couches supérieures

<sup>2)</sup> without / with reeving effect considered · Angabe ohne / mit Wirkungsgrad der Einscherung · sans / avec effort de mouflage



# SPECIFICATIONS

CC 8800-1

## Technische Daten · Caractéristiques

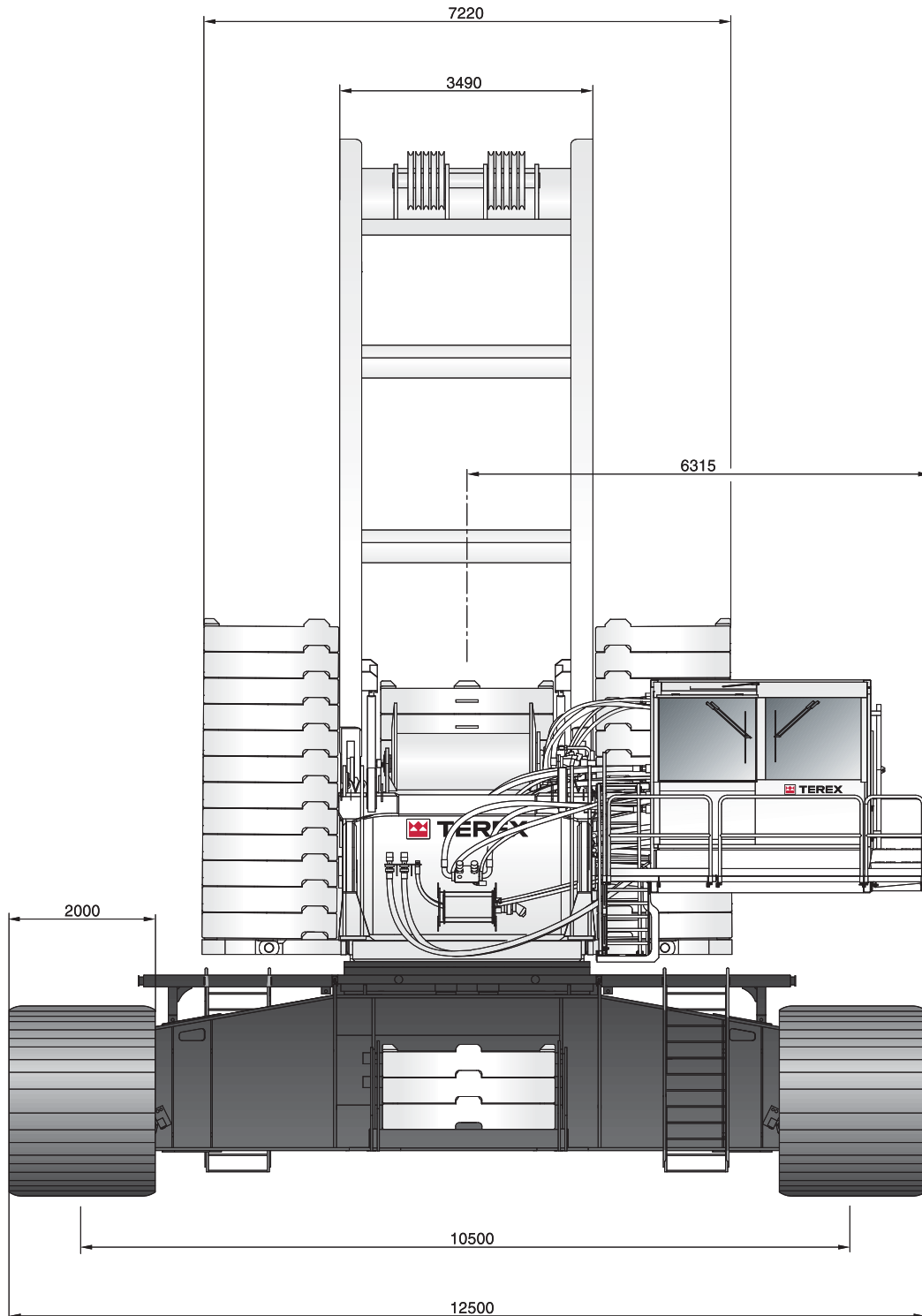
### Carrier performance · Fahrleistungen · Performances du porteur

1<sup>st</sup> gear · 1. Gang · 1<sup>ère</sup> vitesse

max. 0,4 km/h

2<sup>nd</sup> gear · 2. Gang · 2<sup>ème</sup> vitesse

max. 0,8 km/h



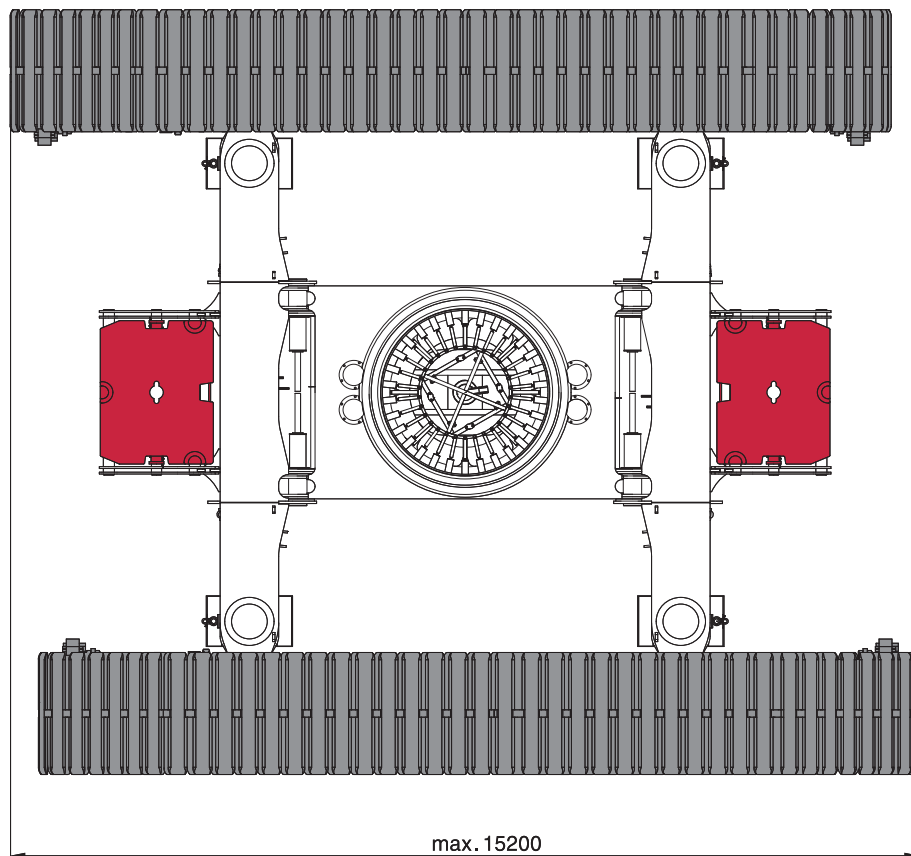
# SPECIFICATIONS

CC 8800-1

## Technische Daten · Caractéristiques

### Hook block system · Unterflaschensystem · Système de crochet-moufle

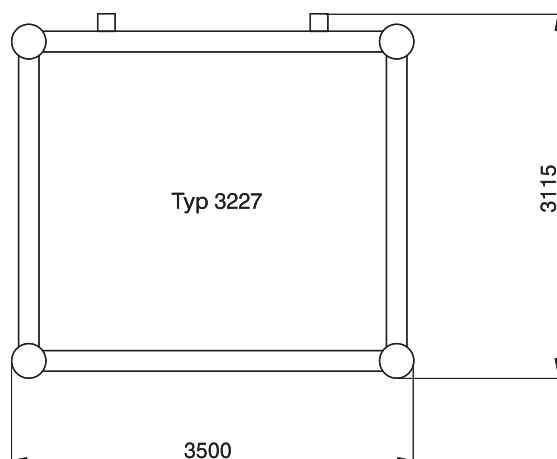
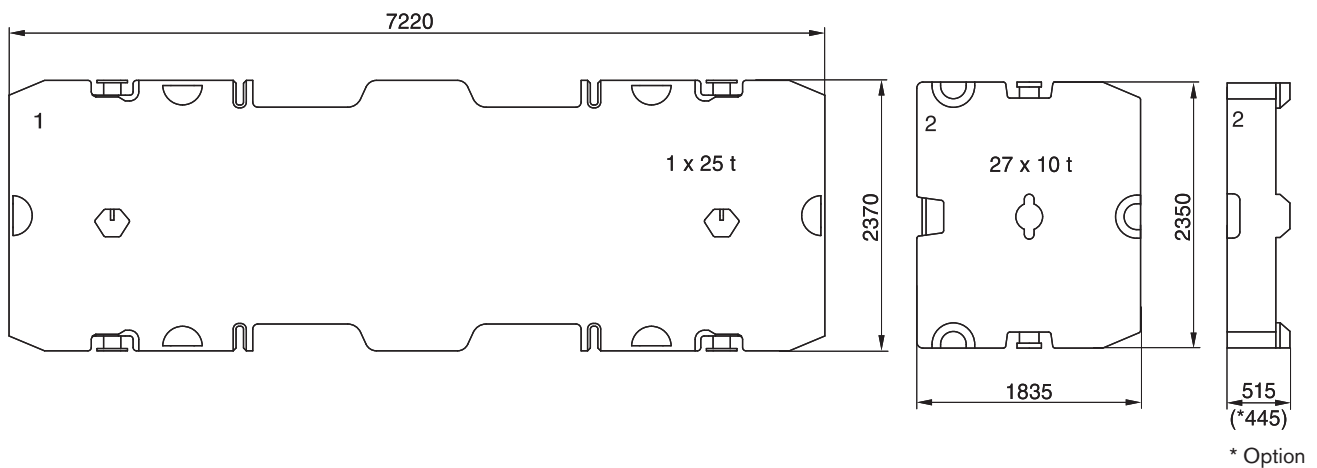
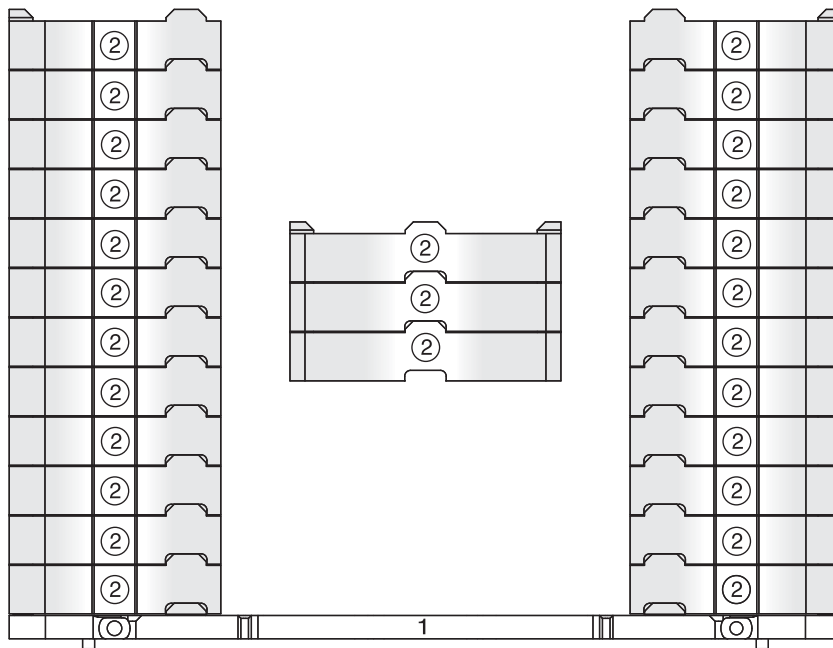
| Type<br>Typ<br>Type | Possible load<br>Mögliche Traglast<br>Charge possible | Number of sheaves<br>Anzahl der Rollen<br>Nombre de poulies | Number of lines<br>Strangzahl<br>Nombre de brins | Weight<br>Gewicht<br>Poids | „D“    |
|---------------------|---|---|--|----------------------------|--------|
| 2 x 800             | 1600 t  | 2 x 13  | 2 x 26   | 44 t                       | 8,70 m |
|                     | 800 t   | 2 x 7   | 2 x 12   | 28 t / 18 t                | 6,50 m |
|                     | 800 t   | 1 x 13  | 2 x 12   | 28 t / 18 t                | 6,20 m |
|                     | 495 t   | 1 x 7   | 1 x 14   | 22 t / 8,5 t               | 6,50 m |
| 2 x 675             | 1350 t  | 2 x 10  | 2 x 21   | 40 t / 21 t                | 8,50 m |
|                     | 675 t   | 2 x 5   | 2 x 11   | 16 t / 12,5 t              | 6,00 m |
|                     | 675 t   | 1 x 10  | 1 x 21   | 16 t / 12,5 t              | 6,00 m |
|                     | 370 t   | 1 x 5   | 1 x 11   | 14,5 t / 8 t               | 6,00 m |
| 100                 | 100 t   | 1 x 1   | 1 x 3  | 7,7 t / 3,7 t              | 4,50 m |



# SPECIFICATIONS

CC 8800-1

Technische Daten · Caractéristiques

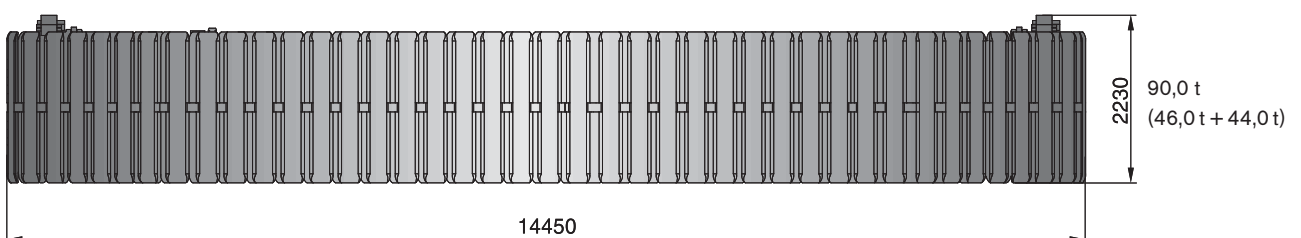
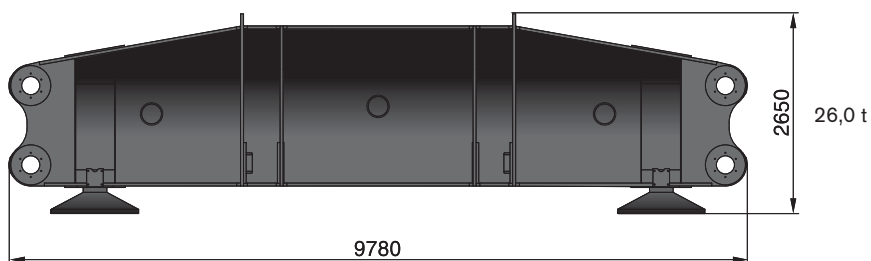
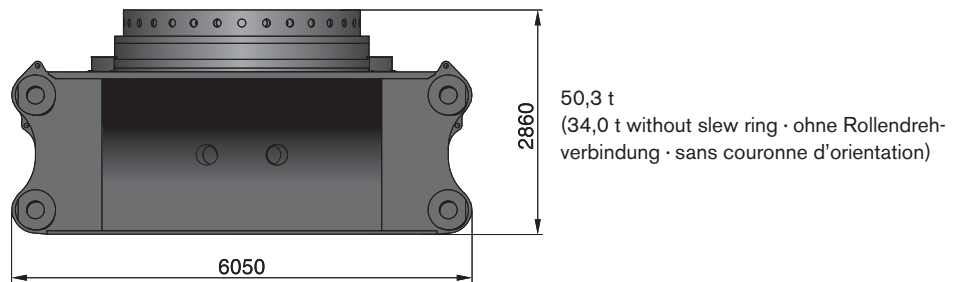
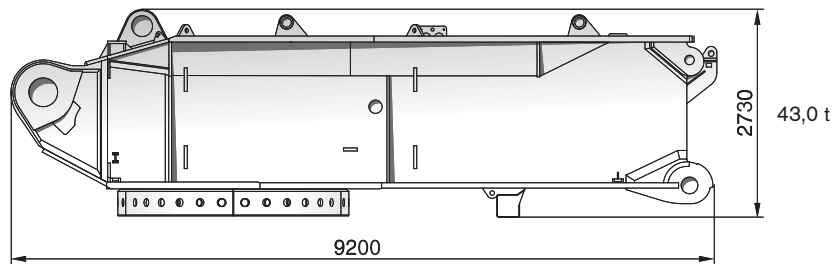
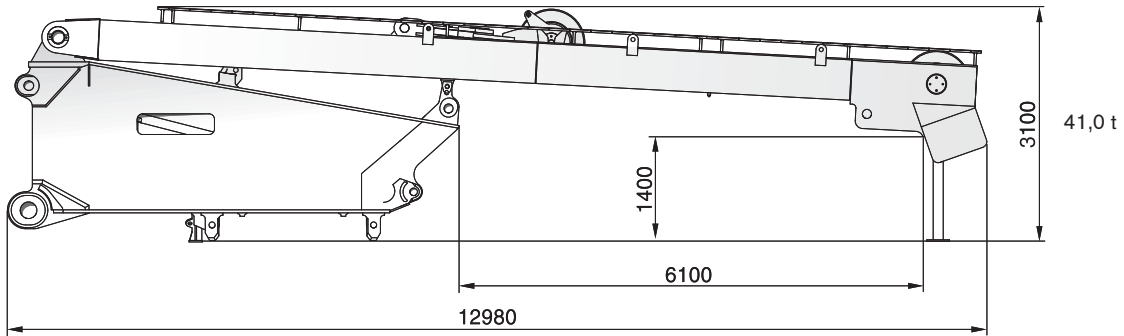
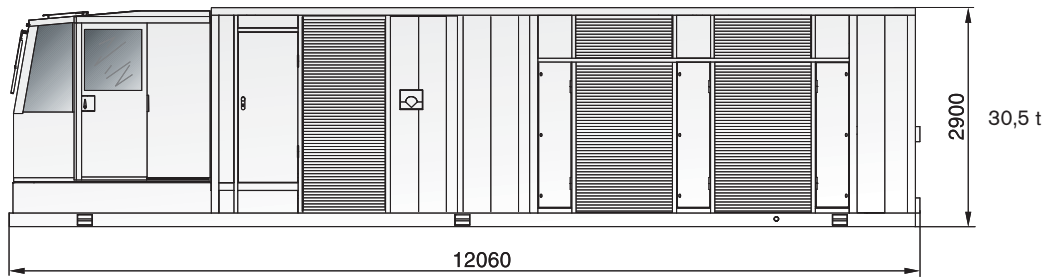




# SPECIFICATIONS

CC 8800-1

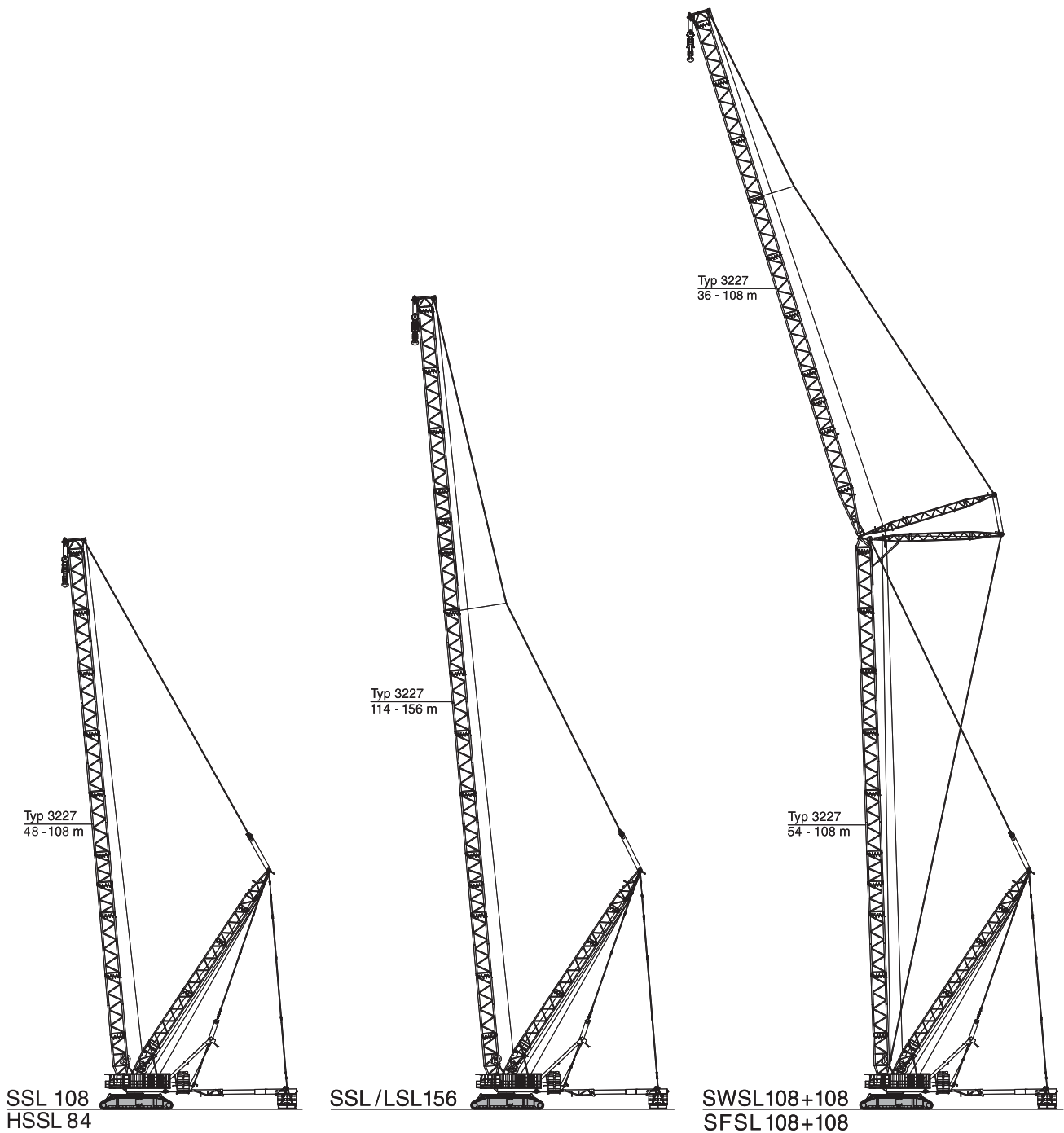
## Technische Daten · Caractéristiques



# BOOM COMBINATIONS

CC 8800-1

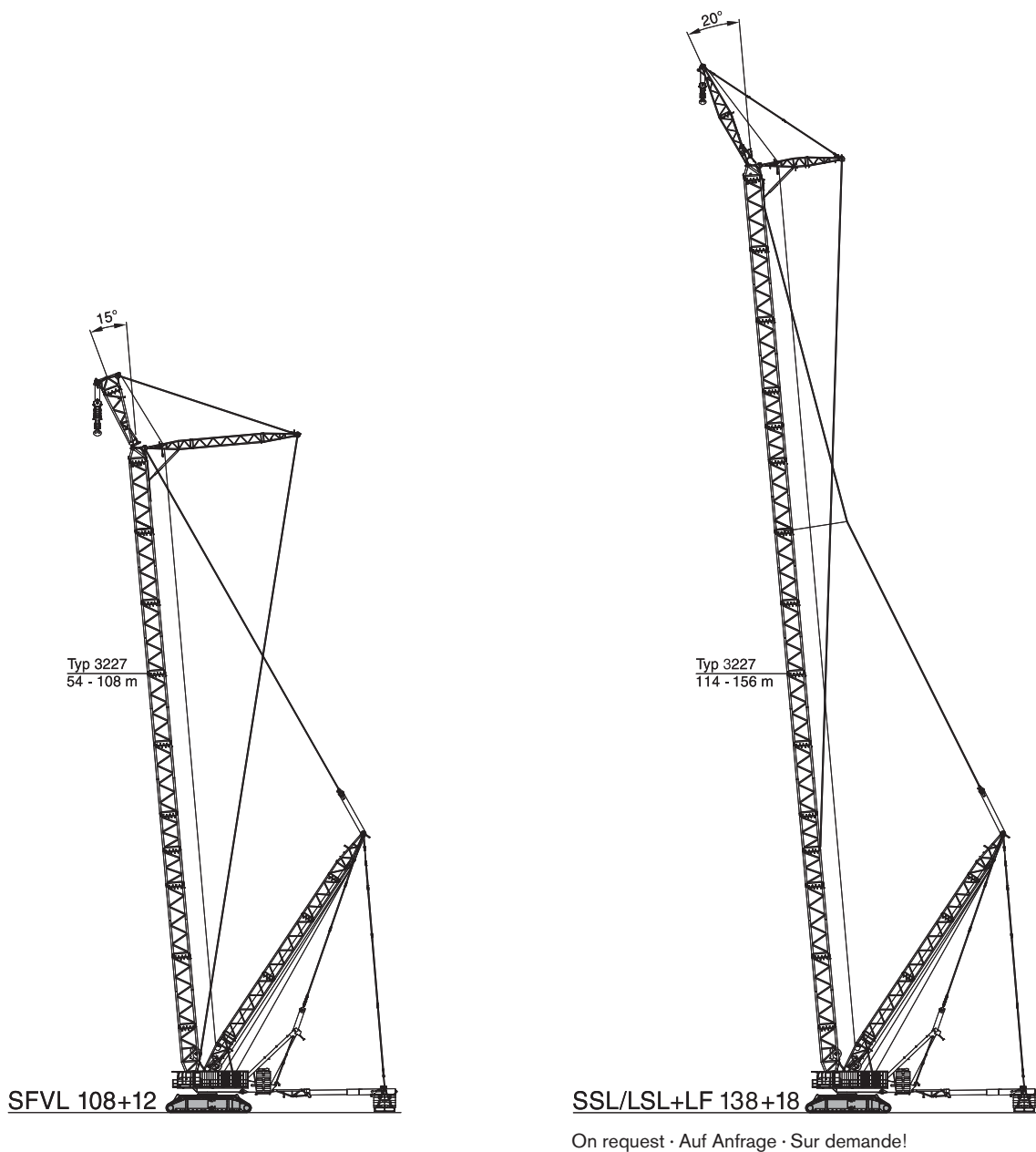
Ausleger-Kombinationen · Combinaisons de flèche



# BOOM COMBINATIONS

CC 8800-1

Ausleger-Kombinationen · Combinaisons de flèche

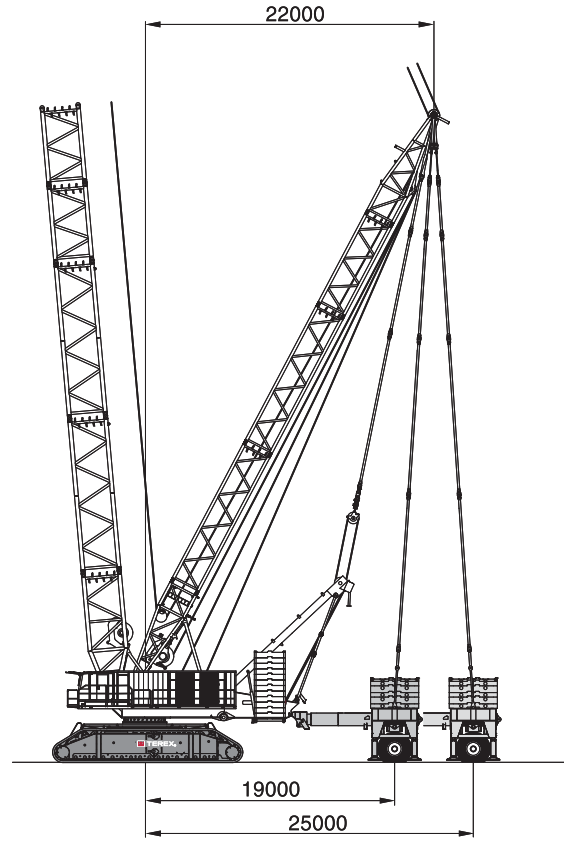
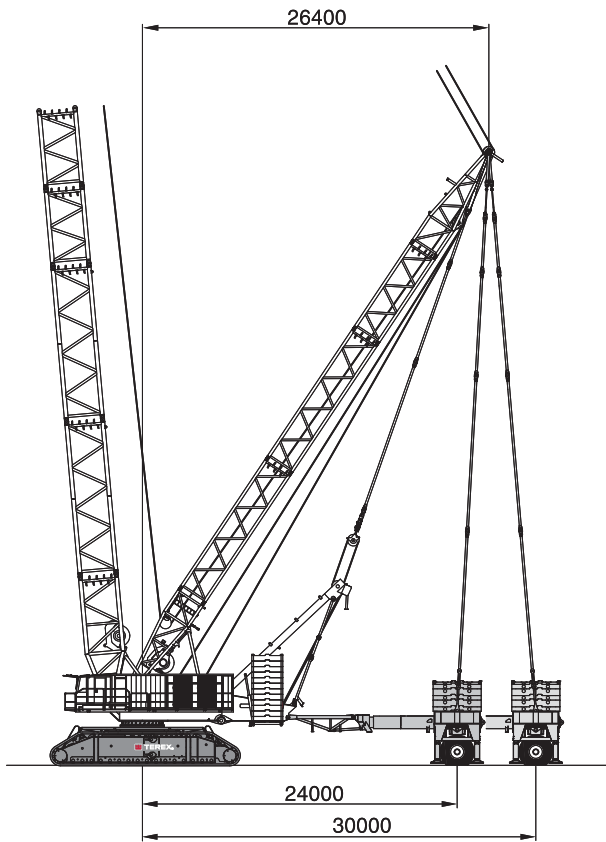


# SUPERLIFT CONFIGURATIONS

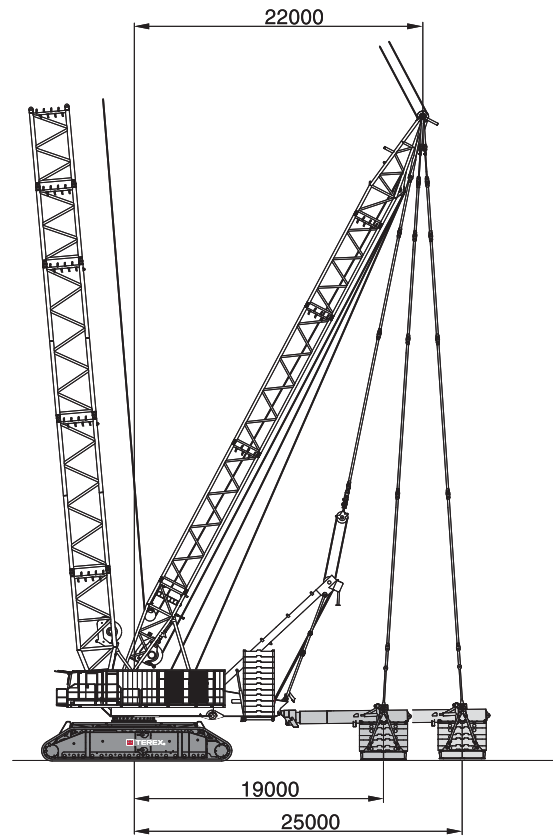
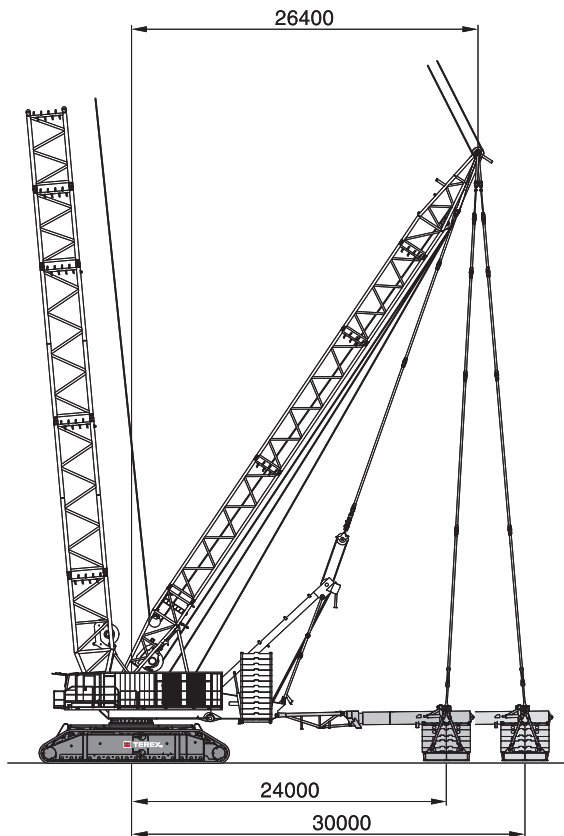
CC 8800-1

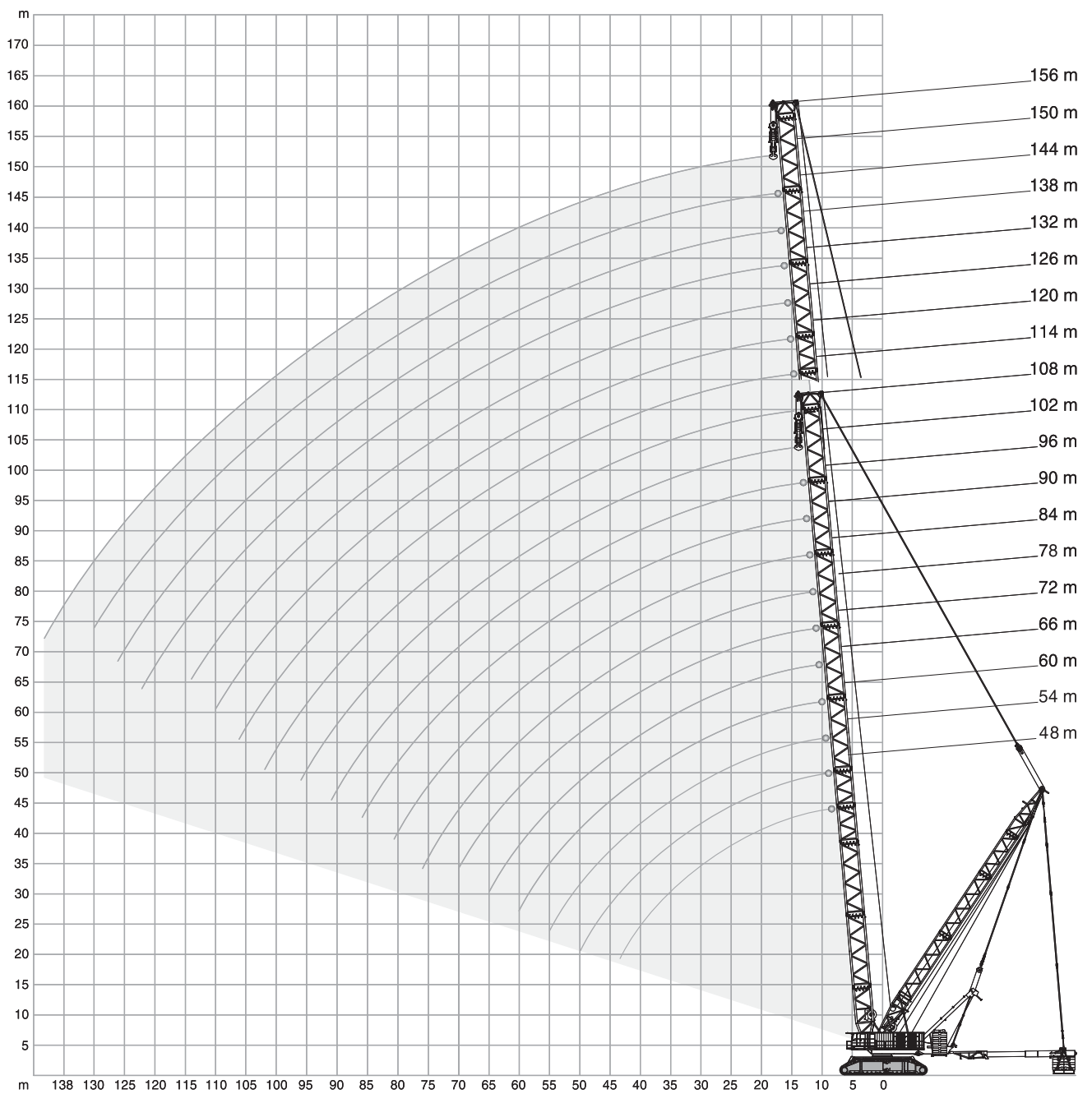
## Superlift-Konfigurationen · Combinaisons Superlift

Standard Superlift attachment · Serienmäßige Superlifteinrichtung · Superlift de série



Variable Superlift attachment · Variable Superlifteinrichtung · Superlift variable





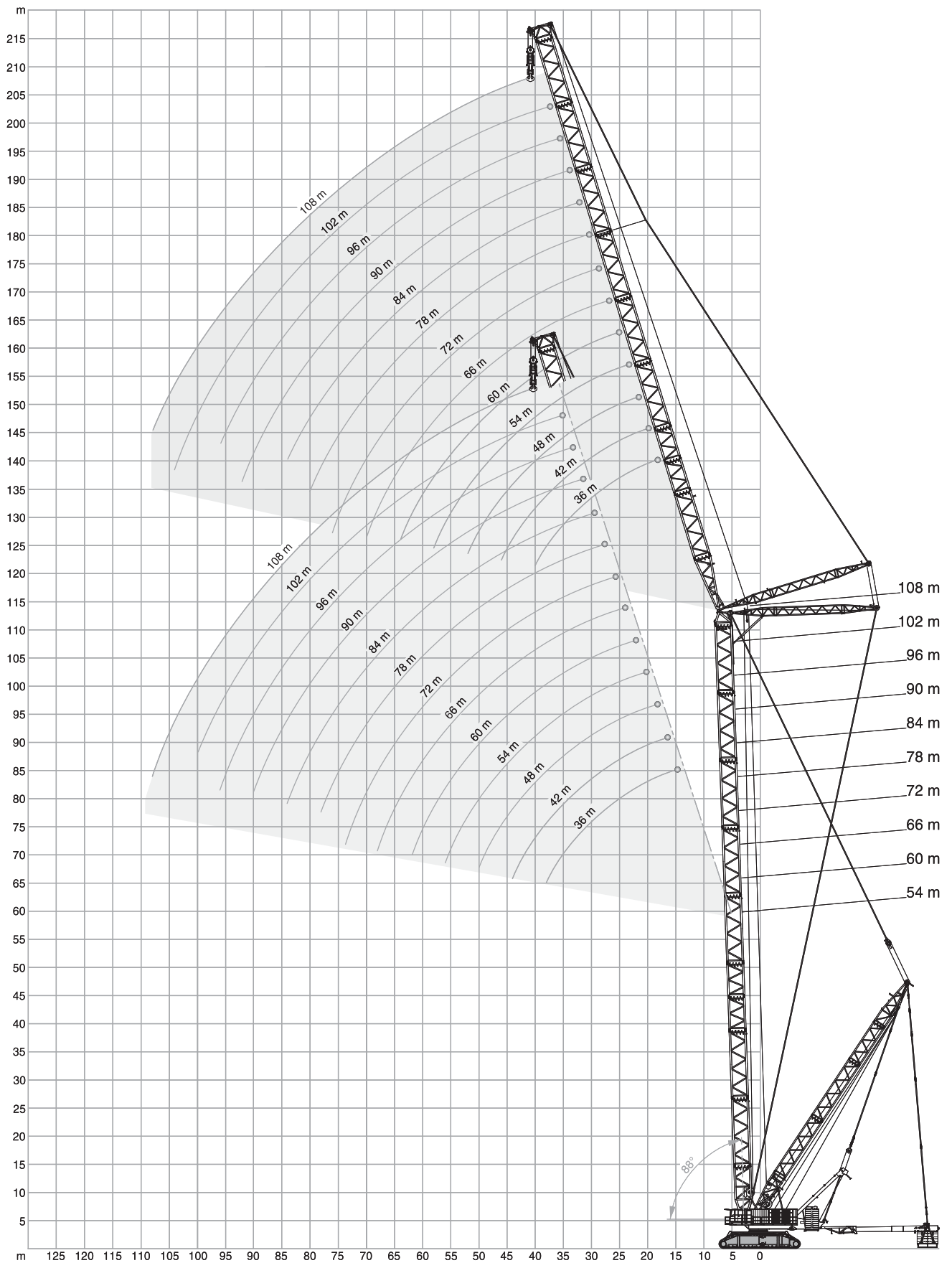
| 295 t + 60 t ZB |         | 19-30 m |       | 10,5 m  |       | 9.8 m/s |       | 360°    |       | ISO     |        |         |
|-----------------|---------|---------|-------|---------|-------|---------|-------|---------|-------|---------|--------|---------|
| m               | 48 m    |         | 54 m  |         | 60 m  |         | 66 m  |         | 72 m  |         | 78 m   |         |
|                 | 0t-640t | 0t-640t | 0t    | 0t-640t | 0t    | 0t-640t | 0t    | 0t-640t | 0t    | 0t-640t | 0t     | 0t-640t |
| t               | t       | t       | t     | t       | t     | t       | t     | t       | t     | t       | t      | t       |
| 10              | 1600,0  | 1600,0  | 799,0 | 1555,0  | -     | -       | -     | -       | -     | -       | -      | -       |
| 11              | 1585,5  | 1581,0  | 726,5 | 1553,0  | 684,0 | 1405,0  | 651,0 | 1238,0  | -     | -       | -      | -       |
| 12              | 1571,0  | 1562,0  | 654,0 | 1553,0  | 623,0 | 1405,0  | 594,0 | 1238,0  | 568,0 | 1098,0  | 1098,0 | 1098,0  |
| 14              | 1496,0  | 1487,0  | 551,0 | 1478,0  | 527,0 | 1383,0  | 505,0 | 1238,0  | 484,0 | 1098,0  | 1098,0 | 1098,0  |
| 16              | 1428,0  | 1419,0  | 474,0 | 1410,0  | 455,0 | 1383,0  | 436,0 | 1238,0  | 419,0 | 1098,0  | 1098,0 | 1098,0  |
| 18              | 1309,0  | 1309,0  | 414,0 | 1302,0  | 398,0 | 1290,0  | 383,0 | 1204,0  | 368,0 | 1098,0  | 1098,0 | 1098,0  |
| 20              | 1192,0  | 1192,0  | 367,0 | 1185,0  | 353,0 | 1178,0  | 339,0 | 1168,0  | 326,0 | 1060,0  | 1060,0 | 1060,0  |
| 22              | 1091,0  | 1085,0  | 323,0 | 1079,0  | 315,0 | 1073,0  | 303,0 | 1069,0  | 292,0 | 1038,0  | 1038,0 | 1038,0  |
| 24              | 991,0   | 992,0   | 282,0 | 986,0   | 278,0 | 980,0   | 273,0 | 976,0   | 263,0 | 973,0   | 973,0  | 973,0   |
| 26              | 912,0   | 913,0   | 249,0 | 907,0   | 245,0 | 901,0   | 242,0 | 897,0   | 239,0 | 893,0   | 893,0  | 893,0   |
| 28              | 830,0   | 845,0   | 222,0 | 839,0   | 218,0 | 833,0   | 215,0 | 829,0   | 213,0 | 825,0   | 825,0  | 825,0   |
| 30              | 751,0   | 785,0   | 199,0 | 779,0   | 195,0 | 774,0   | 192,0 | 770,0   | 190,0 | 766,0   | 766,0  | 766,0   |
| 34              | 620,0   | 687,0   | 163,0 | 682,0   | 159,0 | 676,0   | 156,0 | 672,0   | 154,0 | 668,0   | 668,0  | 668,0   |
| 38              | 538,0   | 580,0   | 136,0 | 604,0   | 132,0 | 599,0   | 129,0 | 594,0   | 126,0 | 591,0   | 591,0  | 591,0   |
| 42              | 449,0   | 491,0   | 116,0 | 532,0   | 111,0 | 536,0   | 108,0 | 532,0   | 104,0 | 528,0   | 528,0  | 528,0   |
| 46              | -       | 436,0   | 99,5  | 457,0   | 94,0  | 484,0   | 90,0  | 479,0   | 87,0  | 476,0   | 476,0  | 476,0   |
| 50              | -       | 367,0   | 86,0  | 392,0   | 80,0  | 424,0   | 76,0  | 435,0   | 72,0  | 431,0   | 431,0  | 431,0   |
| 54              | -       | -       | 75,0  | 353,0   | 68,5  | 369,0   | 64,0  | 394,0   | 60,5  | 393,0   | 393,0  | 393,0   |
| 55              | -       | -       | 73,0  | 339,0   | 66,2  | 356,2   | 61,6  | 382,0   | 58,0  | 385,0   | 385,0  | 385,0   |
| 58              | -       | -       | -     | -       | 59,5  | 324,0   | 54,5  | 346,0   | 50,5  | 361,0   | 361,0  | 361,0   |
| 60              | -       | -       | -     | -       | 55,5  | 312,0   | 50,6  | 324,0   | 46,4  | 342,5   | 342,5  | 342,5   |
| 62              | -       | -       | -     | -       | -     | -       | 46,8  | 302,0   | 42,3  | 324,0   | 324,0  | 324,0   |
| 65              | -       | -       | -     | -       | -     | -       | 41,9  | 278,0   | 37,1  | 294,7   | 294,7  | 294,7   |
| 66              | -       | -       | -     | -       | -     | -       | -     | -       | 35,4  | 285,0   | 285,0  | 285,0   |
| 70              | -       | -       | -     | -       | -     | -       | -     | -       | 29,8  | 249,0   | 249,0  | 249,0   |

| m  | 84 m  |         | 90 m  |         | 96 m  |         | 102 m |         | 108 m |         | m  |
|----|-------|---------|-------|---------|-------|---------|-------|---------|-------|---------|----|
|    | 0t    | 0t-640t | 0t    | 0t-640t | 0t    | 0t-640t | 0t    | 0t-640t | 0t    | 0t-640t |    |
| t  | t     | t       | t     | t       | t     | t       | t     | t       | t     | t       | t  |
| 12 | 543,0 | 976,0   | -     | -       | -     | -       | -     | -       | -     | -       | 12 |
| 13 | 503,0 | 976,0   | 479,0 | 867,0   | 459,0 | 775,0   | -     | -       | -     | -       | 13 |
| 14 | 463,0 | 976,0   | 445,0 | 867,0   | 426,0 | 775,0   | 409,0 | 695,0   | 392,0 | 625,0   | 14 |
| 16 | 402,0 | 976,0   | 387,0 | 867,0   | 371,0 | 775,0   | 357,0 | 695,0   | 342,0 | 625,0   | 16 |
| 18 | 353,0 | 976,0   | 340,0 | 867,0   | 327,0 | 775,0   | 314,0 | 695,0   | 302,0 | 625,0   | 18 |
| 20 | 314,0 | 973,0   | 302,0 | 867,0   | 290,0 | 775,0   | 279,0 | 695,0   | 268,0 | 625,0   | 20 |
| 22 | 281,0 | 940,0   | 270,0 | 858,0   | 260,0 | 774,0   | 250,0 | 695,0   | 240,0 | 625,0   | 22 |
| 24 | 253,0 | 927,0   | 244,0 | 846,0   | 234,0 | 766,0   | 225,0 | 692,0   | 215,0 | 624,0   | 24 |
| 26 | 229,0 | 888,0   | 220,0 | 829,0   | 212,0 | 759,0   | 203,0 | 687,0   | 194,0 | 621,0   | 26 |
| 28 | 208,0 | 820,0   | 200,0 | 818,0   | 192,0 | 747,0   | 184,0 | 683,0   | 176,0 | 617,0   | 28 |
| 30 | 187,0 | 761,0   | 183,0 | 759,0   | 175,0 | 743,0   | 168,0 | 674,0   | 160,0 | 613,0   | 30 |
| 34 | 150,0 | 663,0   | 149,0 | 661,0   | 146,0 | 657,0   | 140,0 | 653,0   | 133,0 | 600,0   | 34 |
| 38 | 123,0 | 586,0   | 121,0 | 583,0   | 118,0 | 579,0   | 115,0 | 576,0   | 111,0 | 569,0   | 38 |
| 42 | 100,0 | 523,0   | 98,5  | 521,0   | 95,0  | 516,0   | 92,0  | 513,0   | 90,0  | 510,0   | 42 |
| 46 | 82,5  | 471,0   | 80,5  | 468,0   | 77,0  | 464,0   | 73,5  | 461,0   | 71,5  | 458,0   | 46 |
| 50 | 68,0  | 426,0   | 65,5  | 423,0   | 62,0  | 419,0   | 58,5  | 416,0   | 56,5  | 413,0   | 50 |
| 54 | 55,5  | 388,0   | 53,5  | 385,0   | 49,7  | 381,0   | 46,5  | 378,0   | 44,3  | 375,0   | 54 |
| 58 | 45,8  | 355,0   | 43,2  | 353,0   | 39,4  | 348,0   | 36,1  | 345,0   | 33,8  | 342,0   | 58 |
| 62 | 37,3  | 327,0   | 34,6  | 324,0   | 30,6  | 320,0   | 27,2  | 316,0   | 24,8  | 314,0   | 62 |
| 66 | 30,2  | 301,0   | 27,2  | 300,0   | 23,1  | 295,0   | 19,6  | 292,0   | 17,0  | 289,0   | 66 |
| 70 | 24,2  | 267,0   | 20,9  | 278,0   | 16,6  | 274,0   | 13,0  | 270,0   | 10,3  | 267,0   | 70 |
| 72 | 21,7  | 251,5   | 18,2  | 265,0   | 13,8  | 264,0   | 10,1  | 260,0   | -     | 257,0   | 72 |
| 74 | 19,2  | 236,0   | 15,5  | 252,0   | 11,1  | 254,0   | -     | 250,0   | -     | 247,0   | 74 |
| 76 | 17,0  | 220,0   | 13,2  | 238,0   | -     | 244,0   | -     | 241,5   | -     | 238,5   | 76 |
| 78 | -     | -       | 11,0  | 224,0   | -     | 234,0   | -     | 233,0   | -     | 230,0   | 78 |
| 79 | -     | -       | 10,0  | 217,0   | -     | 227,7   | -     | 229,2   | -     | 226,0   | 79 |
| 81 | -     | -       | -     | 203,0   | -     | 215,2   | -     | 221,7   | -     | 218,0   | 81 |
| 82 | -     | -       | -     | -       | -     | 209,0   | -     | 218,0   | -     | 214,0   | 82 |
| 86 | -     | -       | -     | -       | -     | 185,0   | -     | 196,0   | -     | 200,0   | 86 |
| 90 | -     | -       | -     | -       | -     | -       | -     | 175,0   | -     | 183,0   | 90 |
| 91 | -     | -       | -     | -       | -     | -       | -     | 169,0   | -     | 178,2   | 91 |
| 94 | -     | -       | -     | -       | -     | -       | -     | -       | -     | 164,0   | 94 |
| 96 | -     | -       | -     | -       | -     | -       | -     | -       | -     | 154,0   | 96 |

| 295 t + 60 t ZB |       |       |         |       |         |       |         |       |         |       |         | 19-30 m |       | 10,5 m |  | 9.8 m/s |  | 360° |  | ISO |  |
|-----------------|-------|-------|---------|-------|---------|-------|---------|-------|---------|-------|---------|---------|-------|--------|--|---------|--|------|--|-----|--|
|                 |       | 114 m |         | 120 m |         | 126 m |         | 132 m |         | 138 m |         |         |       |        |  |         |  |      |  |     |  |
|                 |       | 0 t   | 0t-640t | 0 t   | 0t-640t | 0 t   | 0t-640t | 0 t   | 0t-640t | 0 t   | 0t-640t |         |       |        |  |         |  |      |  |     |  |
| m               | t     | t     | t       | t     | t       | t     | t       | t     | t       | t     | t       | m       | t     |        |  |         |  |      |  |     |  |
| 16              | 333,0 | 562,0 | 321,0   | 506,0 | 311,0   | 457,0 | 300,0   | 410,0 | -       | -     | 16      | 16      | -     |        |  |         |  |      |  |     |  |
| 18              | 295,0 | 562,0 | 284,0   | 506,0 | 276,0   | 457,0 | 266,0   | 410,0 | 258,0   | 369,0 | 18      | 18      | 369,0 |        |  |         |  |      |  |     |  |
| 20              | 263,0 | 562,0 | 252,0   | 506,0 | 246,0   | 457,0 | 237,0   | 410,0 | 230,0   | 369,0 | 20      | 20      | 369,0 |        |  |         |  |      |  |     |  |
| 22              | 235,0 | 562,0 | 226,0   | 506,0 | 220,0   | 456,0 | 212,0   | 410,0 | 206,0   | 369,0 | 22      | 22      | 369,0 |        |  |         |  |      |  |     |  |
| 24              | 212,0 | 562,0 | 203,0   | 506,0 | 198,0   | 456,0 | 191,0   | 410,0 | 185,0   | 369,0 | 24      | 24      | 369,0 |        |  |         |  |      |  |     |  |
| 26              | 191,0 | 561,0 | 184,0   | 506,0 | 179,0   | 456,0 | 173,0   | 410,0 | 167,0   | 369,0 | 26      | 26      | 369,0 |        |  |         |  |      |  |     |  |
| 28              | 174,0 | 559,0 | 166,0   | 504,0 | 162,0   | 453,0 | 156,0   | 410,0 | 151,0   | 369,0 | 28      | 28      | 369,0 |        |  |         |  |      |  |     |  |
| 30              | 158,0 | 556,0 | 151,0   | 501,0 | 147,0   | 447,0 | 142,0   | 410,0 | 137,0   | 369,0 | 30      | 30      | 369,0 |        |  |         |  |      |  |     |  |
| 34              | 131,0 | 552,0 | 125,0   | 495,0 | 122,0   | 435,0 | 117,0   | 409,0 | 113,0   | 368,0 | 34      | 34      | 368,0 |        |  |         |  |      |  |     |  |
| 38              | 110,0 | 529,0 | 104,0   | 489,0 | 102,0   | 423,0 | 97,5    | 408,0 | 94,0    | 367,0 | 38      | 38      | 367,0 |        |  |         |  |      |  |     |  |
| 42              | 91,0  | 504,0 | 87,0    | 458,0 | 85,0    | 405,0 | 80,5    | 403,0 | 77,5    | 366,0 | 42      | 42      | 366,0 |        |  |         |  |      |  |     |  |
| 46              | 72,5  | 459,0 | 70,5    | 438,0 | 70,5    | 388,0 | 66,5    | 388,0 | 63,5    | 355,0 | 46      | 46      | 355,0 |        |  |         |  |      |  |     |  |
| 50              | 57,5  | 415,0 | 55,0    | 412,0 | 56,0    | 370,0 | 54,5    | 365,0 | 52,0    | 344,0 | 50      | 50      | 344,0 |        |  |         |  |      |  |     |  |
| 54              | 45,2  | 376,0 | 42,8    | 374,0 | 43,5    | 352,0 | 42,4    | 352,0 | 40,8    | 323,0 | 54      | 54      | 323,0 |        |  |         |  |      |  |     |  |
| 58              | 34,6  | 343,0 | 32,1    | 341,0 | 32,8    | 334,0 | 31,7    | 339,0 | 30,0    | 313,0 | 58      | 58      | 313,0 |        |  |         |  |      |  |     |  |
| 62              | 25,6  | 315,0 | 23,0    | 312,0 | 23,7    | 312,0 | 22,5    | 311,0 | 20,8    | 303,0 | 62      | 62      | 303,0 |        |  |         |  |      |  |     |  |
| 66              | 17,8  | 290,0 | 15,2    | 287,0 | 15,8    | 287,0 | 14,6    | 286,0 | 12,8    | 284,0 | 66      | 66      | 284,0 |        |  |         |  |      |  |     |  |
| 70              | 11,1  | 268,0 | -       | 265,0 | -       | 265,0 | -       | 264,0 | -       | 262,0 | 70      | 70      | 262,0 |        |  |         |  |      |  |     |  |
| 74              | -     | 248,0 | -       | 245,0 | -       | 245,0 | -       | 244,0 | -       | 242,0 | 74      | 74      | 242,0 |        |  |         |  |      |  |     |  |
| 78              | -     | 231,0 | -       | 228,0 | -       | 228,0 | -       | 226,0 | -       | 224,0 | 78      | 78      | 224,0 |        |  |         |  |      |  |     |  |
| 82              | -     | 215,0 | -       | 212,0 | -       | 212,0 | -       | 210,0 | -       | 208,0 | 82      | 82      | 208,0 |        |  |         |  |      |  |     |  |
| 86              | -     | 201,0 | -       | 198,0 | -       | 198,0 | -       | 196,0 | -       | 194,0 | 86      | 86      | 194,0 |        |  |         |  |      |  |     |  |
| 90              | -     | 188,0 | -       | 185,0 | -       | 185,0 | -       | 183,0 | -       | 181,0 | 90      | 90      | 181,0 |        |  |         |  |      |  |     |  |
| 94              | -     | 175,0 | -       | 173,0 | -       | 173,0 | -       | 171,0 | -       | 169,0 | 94      | 94      | 169,0 |        |  |         |  |      |  |     |  |
| 98              | -     | 158,0 | -       | 163,0 | -       | 162,0 | -       | 160,0 | -       | 158,0 | 98      | 98      | 158,0 |        |  |         |  |      |  |     |  |
| 102             | -     | 141,0 | -       | 147,0 | -       | 153,0 | -       | 151,0 | -       | 148,0 | 102     | 102     | 148,0 |        |  |         |  |      |  |     |  |
| 106             | -     | -     | -       | 132,0 | -       | 140,0 | -       | 141,0 | -       | 139,0 | 106     | 106     | 139,0 |        |  |         |  |      |  |     |  |
| 110             | -     | -     | -       | -     | -       | 126,0 | -       | 131,0 | -       | 131,0 | 110     | 110     | 131,0 |        |  |         |  |      |  |     |  |
| 114             | -     | -     | -       | -     | -       | -     | -       | 119,0 | -       | 122,0 | 114     | 114     | 122,0 |        |  |         |  |      |  |     |  |
| 118             | -     | -     | -       | -     | -       | -     | -       | -     | -       | 111,0 | 118     | 118     | 111,0 |        |  |         |  |      |  |     |  |
| 122             | -     | -     | -       | -     | -       | -     | -       | -     | -       | 99,5  | 122     | 122     | 99,5  |        |  |         |  |      |  |     |  |

| 295 t + 60 t ZB |       | 19-30 m |       | 10,5 m  |       | 9.8 m/s |     | 360°    |   | ISO |     |
|-----------------|-------|---------|-------|---------|-------|---------|-----|---------|---|-----|-----|
|                 |       | 144 m   |       | 150 m   |       | 156 m   |     |         |   |     |     |
|                 |       | 0 t     |       | 0t-640t |       | 0 t     |     | 0t-640t |   |     |     |
| m               | t     | t       | t     | t       | t     | t       | t   | m       | t | t   | m   |
| 18              | 248,0 | 331,0   | 243,0 | 299,0   | 234,0 | 268,0   | 18  | 18      |   |     | 18  |
| 20              | 221,0 | 331,0   | 217,0 | 299,0   | 209,0 | 268,0   | 20  | 20      |   |     | 20  |
| 22              | 198,0 | 331,0   | 195,0 | 299,0   | 187,0 | 268,0   | 22  | 22      |   |     | 22  |
| 24              | 179,0 | 331,0   | 175,0 | 299,0   | 169,0 | 268,0   | 24  | 24      |   |     | 24  |
| 26              | 161,0 | 331,0   | 158,0 | 299,0   | 152,0 | 267,0   | 26  | 26      |   |     | 26  |
| 28              | 145,0 | 331,0   | 143,0 | 299,0   | 137,0 | 267,0   | 28  | 28      |   |     | 28  |
| 30              | 132,0 | 331,0   | 130,0 | 299,0   | 124,0 | 267,0   | 30  | 30      |   |     | 30  |
| 34              | 108,0 | 331,0   | 107,0 | 298,0   | 102,0 | 265,0   | 34  | 34      |   |     | 34  |
| 38              | 89,0  | 330,0   | 88,5  | 296,0   | 83,5  | 262,0   | 38  | 38      |   |     | 38  |
| 42              | 73,0  | 329,0   | 72,5  | 294,0   | 68,0  | 259,0   | 42  | 42      |   |     | 42  |
| 46              | 59,5  | 323,0   | 59,0  | 291,0   | 55,0  | 256,0   | 46  | 46      |   |     | 46  |
| 50              | 48,0  | 313,0   | 47,9  | 283,0   | 44,0  | 251,0   | 50  | 50      |   |     | 50  |
| 54              | 37,8  | 304,0   | 38,0  | 276,0   | 34,1  | 246,0   | 54  | 54      |   |     | 54  |
| 58              | 29,0  | 290,0   | 29,2  | 269,0   | 25,4  | 240,0   | 58  | 58      |   |     | 58  |
| 62              | 19,7  | 279,0   | 20,5  | 262,0   | 17,8  | 235,0   | 62  | 62      |   |     | 62  |
| 66              | 11,7  | 270,0   | 12,5  | 250,0   | 11,0  | 229,0   | 66  | 66      |   |     | 66  |
| 70              | -     | 260,0   | -     | 244,0   | -     | 221,0   | 70  | 70      |   |     | 70  |
| 74              | -     | 240,0   | -     | 237,0   | -     | 215,0   | 74  | 74      |   |     | 74  |
| 78              | -     | 223,0   | -     | 223,0   | -     | 210,0   | 78  | 78      |   |     | 78  |
| 82              | -     | 207,0   | -     | 207,0   | -     | 205,0   | 82  | 82      |   |     | 82  |
| 86              | -     | 193,0   | -     | 193,0   | -     | 192,0   | 86  | 86      |   |     | 86  |
| 90              | -     | 179,0   | -     | 180,0   | -     | 179,0   | 90  | 90      |   |     | 90  |
| 94              | -     | 168,0   | -     | 168,0   | -     | 167,0   | 94  | 94      |   |     | 94  |
| 98              | -     | 157,0   | -     | 157,0   | -     | 156,0   | 98  | 98      |   |     | 98  |
| 102             | -     | 147,0   | -     | 147,0   | -     | 146,0   | 102 | 102     |   |     | 102 |
| 106             | -     | 137,0   | -     | 138,0   | -     | 136,0   | 106 | 106     |   |     | 106 |
| 110             | -     | 129,0   | -     | 129,0   | -     | 128,0   | 110 | 110     |   |     | 110 |
| 114             | -     | 121,0   | -     | 122,0   | -     | 120,0   | 114 | 114     |   |     | 114 |
| 118             | -     | 114,0   | -     | 114,0   | -     | 112,0   | 118 | 118     |   |     | 118 |
| 122             | -     | 103,0   | -     | 108,0   | -     | 106,0   | 122 | 122     |   |     | 122 |
| 126             | -     | 93,0    | -     | 98,0    | -     | 99,5    | 126 | 126     |   |     | 126 |
| 130             | -     | -       | -     | 88,5    | -     | 90,5    | 130 | 130     |   |     | 130 |
| 134             | -     | -       | -     | -       | -     | 81,5    | 134 | 134     |   |     | 134 |
| 138             | -     | -       | -     | -       | -     | 72,5    | 138 | 138     |   |     | 138 |





295 t + 60 t ZB 19-30 m 10,5 m 9.8 m/s 360° ISO

**54 m + 36 m**

| m  | SWSL  |        |             |       |       |       | SFSL  |
|----|-------|--------|-------------|-------|-------|-------|-------|
|    | 0 t   |        | 0 t - 640 t |       |       |       |       |
|    | 85°   | 85°    | 75°         | 65°   | 55°   | 45°   | t     |
| 18 | -     | 629,0* | -           | -     | -     | -     | -     |
| 20 | -     | 614,0* | -           | -     | -     | -     | -     |
| 22 | -     | 594,0* | -           | -     | -     | -     | -     |
| 24 | 291,0 | 653,0  | -           | -     | -     | -     | 640,0 |
| 26 | 268,0 | 639,0  | -           | -     | -     | -     | 640,0 |
| 28 | 249,0 | 603,0  | -           | -     | -     | -     | 640,0 |
| 30 | 231,0 | 543,0  | -           | -     | -     | -     | 640,0 |
| 34 | 197,0 | 450,0  | -           | -     | -     | -     | 632,0 |
| 37 | 175,5 | 398,5  | 613,0       | -     | -     | -     | 611,5 |
| 38 | 169,0 | 383,0  | 582,0       | -     | -     | -     | 598,0 |
| 42 | 146,0 | 332,0  | 478,0       | -     | -     | -     | 532,0 |
| 46 | -     | -      | 403,0       | -     | -     | -     | 477,0 |
| 50 | -     | -      | 348,0       | -     | -     | -     | 431,0 |
| 51 | -     | -      | 336,5       | 424,0 | -     | -     | 420,5 |
| 52 | -     | -      | 325,0       | 414,0 | -     | -     | 410,0 |
| 54 | -     | -      | -           | 397,0 | -     | -     | 389,0 |
| 58 | -     | -      | -           | 360,0 | -     | -     | 345,0 |
| 61 | -     | -      | -           | 325,0 | -     | -     | 315,7 |
| 62 | -     | -      | -           | -     | -     | -     | 306,0 |
| 64 | -     | -      | -           | -     | 291,0 | -     | 288,5 |
| 66 | -     | -      | -           | -     | 280,0 | -     | 271,0 |
| 69 | -     | -      | -           | -     | 265,0 | -     | 247,7 |
| 70 | -     | -      | -           | -     | -     | -     | 240,0 |
| 74 | -     | -      | -           | -     | -     | 222,0 | 220,0 |
| 76 | -     | -      | -           | -     | -     | 215,0 | 208,0 |
| 78 | -     | -      | -           | -     | -     | -     | 196,0 |
| 82 | -     | -      | -           | -     | -     | -     | 170,0 |

**54 m + 48 m**

| m  | t     | t      | t     | t     | t     | t     | t     |
|----|-------|--------|-------|-------|-------|-------|-------|
| 22 | -     | 496,0* | -     | -     | -     | -     | -     |
| 24 | -     | 484,0* | -     | -     | -     | -     | -     |
| 26 | -     | 471,0* | -     | -     | -     | -     | -     |
| 28 | 233,0 | 516,0  | -     | -     | -     | -     | 504,0 |
| 30 | 217,0 | 508,0  | -     | -     | -     | -     | 504,0 |
| 34 | 190,0 | 484,0  | -     | -     | -     | -     | 504,0 |
| 38 | 165,0 | 411,0  | -     | -     | -     | -     | 504,0 |
| 42 | 143,0 | 356,0  | -     | -     | -     | -     | 496,0 |
| 43 | 138,5 | 344,5  | 490,0 | -     | -     | -     | 488,0 |
| 46 | 125,0 | 313,0  | 434,0 | -     | -     | -     | 463,0 |
| 50 | 111,0 | 278,0  | 373,0 | -     | -     | -     | 431,0 |
| 54 | 99,0  | 244,0  | 326,0 | -     | -     | -     | 393,0 |
| 58 | -     | -      | 289,0 | -     | -     | -     | 358,0 |
| 59 | -     | -      | 281,0 | 354,0 | -     | -     | 349,5 |
| 62 | -     | -      | 259,0 | 333,0 | -     | -     | 324,0 |
| 66 | -     | -      | -     | 297,0 | -     | -     | 291,0 |
| 70 | -     | -      | -     | 265,0 | -     | -     | 260,0 |
| 72 | -     | -      | -     | 252,0 | -     | -     | 246,5 |
| 73 | -     | -      | -     | -     | 241,0 | -     | 239,7 |
| 74 | -     | -      | -     | -     | 237,0 | -     | 233,0 |
| 78 | -     | -      | -     | -     | 222,0 | -     | 208,0 |
| 80 | -     | -      | -     | -     | 215,0 | -     | 197,5 |
| 82 | -     | -      | -     | -     | -     | -     | 190,0 |
| 85 | -     | -      | -     | -     | -     | 181,0 | 177,2 |
| 86 | -     | -      | -     | -     | -     | 178,0 | 173,0 |
| 87 | -     | -      | -     | -     | -     | 176,0 | 167,7 |
| 90 | -     | -      | -     | -     | -     | -     | 152,0 |
| 94 | -     | -      | -     | -     | -     | -     | 132,0 |

**54 m + 60 m**

| m   | SWSL  |        |             |       |       |       | SFSL  |
|-----|-------|--------|-------------|-------|-------|-------|-------|
|     | 0 t   |        | 0 t - 640 t |       |       |       |       |
|     | 85°   | 85°    | 75°         | 65°   | 55°   | 45°   | t     |
| 26  | -     | 394,0* | -           | -     | -     | -     | -     |
| 28  | -     | 386,0* | -           | -     | -     | -     | -     |
| 30  | -     | 378,0* | -           | -     | -     | -     | -     |
| 32  | 191,0 | 411,0  | -           | -     | -     | -     | 401,0 |
| 34  | 179,0 | 406,0  | -           | -     | -     | -     | 401,0 |
| 38  | 158,0 | 396,0  | -           | -     | -     | -     | 401,0 |
| 42  | 141,0 | 367,0  | -           | -     | -     | -     | 401,0 |
| 46  | 124,0 | 322,0  | -           | -     | -     | -     | 401,0 |
| 49  | 113,5 | 293,5  | 400,0       | -     | -     | -     | 391,0 |
| 50  | 110,0 | 285,0  | 385,0       | -     | -     | -     | 387,0 |
| 54  | 97,5  | 255,0  | 336,0       | -     | -     | -     | 363,0 |
| 58  | 87,5  | 229,0  | 297,0       | -     | -     | -     | 340,0 |
| 62  | 78,5  | 208,0  | 264,0       | -     | -     | -     | 319,0 |
| 64  | 75,0  | 197,0  | 250,0       | -     | -     | -     | 310,0 |
| 66  | -     | -      | 238,0       | -     | -     | -     | 301,0 |
| 67  | -     | -      | 232,0       | 296,0 | -     | -     | 295,2 |
| 70  | -     | -      | 215,0       | 271,0 | -     | -     | 278,0 |
| 74  | -     | -      | 195,0       | 243,0 | -     | -     | 251,0 |
| 78  | -     | -      | -           | 220,0 | -     | -     | 227,0 |
| 82  | -     | -      | -           | 200,0 | 205,0 | -     | 204,0 |
| 86  | -     | -      | -           | -     | 193,0 | -     | 184,0 |
| 90  | -     | -      | -           | -     | 182,0 | -     | 167,0 |
| 92  | -     | -      | -           | -     | 176,0 | -     | 161,0 |
| 94  | -     | -      | -           | -     | -     | -     | 155,0 |
| 95  | -     | -      | -           | -     | -     | 153,0 | 150,7 |
| 98  | -     | -      | -           | -     | -     | 146,0 | 138,0 |
| 99  | -     | -      | -           | -     | -     | 144,0 | 134,0 |
| 102 | -     | -      | -           | -     | -     | -     | 122,0 |
| 106 | -     | -      | -           | -     | -     | -     | 105,0 |

**54 m + 72 m**

| m   | t     | t      | t     | t     | t     | t     | t     |
|-----|-------|--------|-------|-------|-------|-------|-------|
| 30  | -     | 315,0* | -     | -     | -     | -     | -     |
| 34  | -     | 306,0* | -     | -     | -     | -     | -     |
| 36  | 157,0 | 328,0  | -     | -     | -     | -     | 321,0 |
| 38  | 148,0 | 325,0  | -     | -     | -     | -     | 321,0 |
| 42  | 132,0 | 320,0  | -     | -     | -     | -     | 321,0 |
| 46  | 118,0 | 314,0  | -     | -     | -     | -     | 321,0 |
| 50  | 106,0 | 283,0  | -     | -     | -     | -     | 321,0 |
| 54  | 95,0  | 253,0  | -     | -     | -     | -     | 315,0 |
| 56  | 89,5  | 240,0  | 314,0 | -     | -     | -     | 309,5 |
| 58  | 84,5  | 227,0  | 295,0 | -     | -     | -     | 304,0 |
| 62  | 75,5  | 206,0  | 263,0 | -     | -     | -     | 286,0 |
| 66  | 68,0  | 187,0  | 236,0 | -     | -     | -     | 269,0 |
| 70  | 61,0  | 171,0  | 213,0 | -     | -     | -     | 253,0 |
| 74  | 55,0  | 157,0  | 193,0 | 241,0 | -     | -     | 239,0 |
| 76  | 52,0  | 146,0  | 185,0 | 229,0 | -     | -     | 233,0 |
| 78  | -     | -      | 176,0 | 218,0 | -     | -     | 227,0 |
| 82  | -     | -      | 162,0 | 198,0 | -     | -     | 215,0 |
| 86  | -     | -      | 149,0 | 180,0 | -     | -     | 196,0 |
| 90  | -     | -      | -     | 165,0 | -     | -     | 178,0 |
| 91  | -     | -      | -     | 161,5 | 174,0 | -     | 173,5 |
| 94  | -     | -      | -     | 152,0 | 166,0 | -     | 160,0 |
| 98  | -     | -      | -     | -     | 157,0 | -     | 145,0 |
| 102 | -     | -      | -     | -     | 148,0 | -     | 136,0 |
| 105 | -     | -      | -     | -     | -     | 127,0 | 126,2 |
| 106 | -     | -      | -     | -     | -     | 125,0 | 123,0 |
| 110 | -     | -      | -     | -     | -     | 118,0 | 109,0 |
| 114 | -     | -      | -     | -     | -     | -     | 95,5  |

\* Main boom angle 88° · Hauptauslegerwinkel 88° · Jarret de flèche principale 88° see page 19 · siehe Seite 19 · voir page 19

| 295 t + 60 t ZB |       | 19-30 m |       | 10,5 m      |       | 9.8 m/s     |      | 360° |       | ISO |  |  |
|-----------------|-------|---------|-------|-------------|-------|-------------|------|------|-------|-----|--|--|
| 54 m + 84 m     |       |         |       |             |       | 54 m + 96 m |      |      |       |     |  |  |
|                 |       | SWSL    |       |             |       |             | SFSL |      |       |     |  |  |
|                 |       | 0 t     |       | 0 t - 640 t |       |             |      |      |       |     |  |  |
|                 |       | 85°     | 85°   | 75°         | 65°   | 55°         | 45°  |      |       |     |  |  |
| m               | t     | t       | t     | t           | t     | t           | t    | t    | t     |     |  |  |
| 32              | -     | 254,0*  | -     | -           | -     | -           | -    | -    | -     |     |  |  |
| 34              | -     | 253,0*  | -     | -           | -     | -           | -    | -    | -     |     |  |  |
| 38              | -     | 247,0*  | -     | -           | -     | -           | -    | -    | -     |     |  |  |
| 40              | 128,0 | 261,0   | -     | -           | -     | -           | -    | -    | 258,0 |     |  |  |
| 42              | 120,0 | 260,0   | -     | -           | -     | -           | -    | -    | 258,0 |     |  |  |
| 46              | 107,0 | 256,0   | -     | -           | -     | -           | -    | -    | 258,0 |     |  |  |
| 50              | 96,0  | 252,0   | -     | -           | -     | -           | -    | -    | 258,0 |     |  |  |
| 54              | 86,0  | 247,0   | -     | -           | -     | -           | -    | -    | 258,0 |     |  |  |
| 58              | 77,5  | 221,0   | -     | -           | -     | -           | -    | -    | 256,0 |     |  |  |
| 62              | 69,5  | 199,0   | 254,0 | -           | -     | -           | -    | -    | 248,0 |     |  |  |
| 66              | 61,0  | 181,0   | 229,0 | -           | -     | -           | -    | -    | 240,0 |     |  |  |
| 70              | 54,0  | 165,0   | 207,0 | -           | -     | -           | -    | -    | 226,0 |     |  |  |
| 74              | 48,1  | 151,0   | 187,0 | -           | -     | -           | -    | -    | 212,0 |     |  |  |
| 78              | 42,6  | 138,0   | 170,0 | -           | -     | -           | -    | -    | 200,0 |     |  |  |
| 82              | 37,8  | 127,0   | 155,0 | 191,0       | -     | -           | -    | -    | 190,0 |     |  |  |
| 86              | 33,6  | 115,5   | 142,0 | 174,0       | -     | -           | -    | -    | 180,0 |     |  |  |
| 88              | 31,7  | 109,0   | 136,0 | 166,0       | -     | -           | -    | -    | 175,5 |     |  |  |
| 90              | -     | -       | 131,0 | 159,0       | -     | -           | -    | -    | 171,0 |     |  |  |
| 94              | -     | -       | 121,0 | 145,0       | -     | -           | -    | -    | 162,0 |     |  |  |
| 96              | -     | -       | 116,0 | 139,0       | -     | -           | -    | -    | 156,0 |     |  |  |
| 98              | -     | -       | -     | 134,0       | -     | -           | -    | -    | 150,0 |     |  |  |
| 100             | -     | -       | -     | 128,0       | 143,0 | -           | -    | -    | 143,0 |     |  |  |
| 102             | -     | -       | -     | 123,0       | 139,0 | -           | -    | -    | 136,0 |     |  |  |
| 106             | -     | -       | -     | 114,0       | 131,0 | -           | -    | -    | 123,0 |     |  |  |
| 110             | -     | -       | -     | -           | 124,0 | -           | -    | -    | 115,0 |     |  |  |
| 114             | -     | -       | -     | -           | 114,0 | -           | -    | -    | 105,0 |     |  |  |
| 116             | -     | -       | -     | -           | -     | 100,0       | -    | -    | 99,0  |     |  |  |
| 118             | -     | -       | -     | -           | -     | 97,5        | 93,0 | -    | 93,0  |     |  |  |
| 122             | -     | -       | -     | -           | -     | 92,5        | 81,5 | -    | 81,5  |     |  |  |
| 126             | -     | -       | -     | -           | -     | -           | 70,0 | -    | 70,0  |     |  |  |
| 36              | -     | 201,0*  | -     | -           | -     | -           | -    | -    | -     |     |  |  |
| 38              | -     | 200,0*  | -     | -           | -     | -           | -    | -    | -     |     |  |  |
| 42              | -     | 197,0*  | -     | -           | -     | -           | -    | -    | -     |     |  |  |
| 44              | 105,0 | 203,0   | -     | -           | -     | -           | -    | -    | 203,0 |     |  |  |
| 46              | 99,0  | 203,0   | -     | -           | -     | -           | -    | -    | 203,0 |     |  |  |
| 50              | 88,0  | 200,0   | -     | -           | -     | -           | -    | -    | 203,0 |     |  |  |
| 54              | 78,5  | 198,0   | -     | -           | -     | -           | -    | -    | 201,0 |     |  |  |
| 58              | 70,5  | 196,0   | -     | -           | -     | -           | -    | -    | 200,0 |     |  |  |
| 62              | 63,0  | 193,0   | -     | -           | -     | -           | -    | -    | 199,0 |     |  |  |
| 66              | 56,5  | 179,0   | -     | -           | -     | -           | -    | -    | 195,0 |     |  |  |
| 68              | 53,5  | 171,0   | 193,0 | -           | -     | -           | -    | -    | 193,5 |     |  |  |
| 70              | 50,5  | 163,0   | 193,0 | -           | -     | -           | -    | -    | 192,0 |     |  |  |
| 74              | 44,7  | 148,0   | 185,0 | -           | -     | -           | -    | -    | 188,0 |     |  |  |
| 78              | 39,1  | 136,0   | 168,0 | -           | -     | -           | -    | -    | 184,0 |     |  |  |
| 82              | 34,2  | 124,5   | 153,0 | -           | -     | -           | -    | -    | 173,0 |     |  |  |
| 86              | 29,8  | 114,5   | 140,0 | -           | -     | -           | -    | -    | 164,0 |     |  |  |
| 90              | 25,8  | 105,5   | 128,0 | 156,0       | -     | -           | -    | -    | 155,0 |     |  |  |
| 94              | 22,3  | 97,5    | 118,0 | 143,0       | -     | -           | -    | -    | 147,0 |     |  |  |
| 96              | 20,6  | 94,0    | 113,0 | 137,0       | -     | -           | -    | -    | 143,0 |     |  |  |
| 98              | -     | -       | 109,0 | 131,0       | -     | -           | -    | -    | 139,0 |     |  |  |
| 102             | -     | -       | 100,0 | 120,0       | -     | -           | -    | -    | 133,0 |     |  |  |
| 106             | -     | -       | 93,0  | 111,0       | -     | -           | -    | -    | 126,0 |     |  |  |
| 108             | -     | -       | 89,5  | 106,0       | -     | -           | -    | -    | 122,0 |     |  |  |
| 110             | -     | -       | -     | 102,0       | 119,0 | -           | -    | -    | 118,0 |     |  |  |
| 114             | -     | -       | -     | 94,5        | 111,0 | -           | -    | -    | 107,0 |     |  |  |
| 118             | -     | -       | -     | 87,5        | 103,0 | -           | -    | -    | 100,0 |     |  |  |
| 122             | -     | -       | -     | -           | 95,5  | -           | -    | -    | 91,5  |     |  |  |
| 126             | -     | -       | -     | -           | 88,0  | 81,5        | 81,0 | -    | 81,0  |     |  |  |
| 130             | -     | -       | -     | -           | -     | 77,0        | 71,0 | -    | 71,0  |     |  |  |
| 132             | -     | -       | -     | -           | -     | 75,0        | 66,2 | -    | 66,2  |     |  |  |
| 134             | -     | -       | -     | -           | -     | -           | 61,5 | -    | 61,5  |     |  |  |
| 138             | -     | -       | -     | -           | -     | -           | 51,5 | -    | 51,5  |     |  |  |

6 m steps of luffing jib is standard · 6 m Stufung der Wippe ist Standard · Des paliers de 6 m sont de série pour la fléchette

Main boom angle 88°, 85°, 75°, 65°, 55° and 45°; capacities for intermediate boom positions are calculated by the crane control system IC-1  
 Hauptauslegerwinkel 88°, 85°, 75°, 65°, 55° und 45°; Traglasten für Zwischenstellungen des Hauptauslegers werden von der Kransteuerung IC-1 berechnet

Jarret de flèche principale 88°, 85°, 75°, 65°, 55° et 45° ; le système de commande de la grue IC-1 calcule les charges pour les positions intermédiaires de la flèche

\* Main boom angle 88° · Hauptauslegerwinkel 88° · Jarret de flèche principale 88°

295 t + 60 t ZB 19-30 m 10,5 m 9.8 m/s 360° ISO

54 m + 108 m

| m   | SWSL |        |             |       |      |      | SFSL  |
|-----|------|--------|-------------|-------|------|------|-------|
|     | 0 t  |        | 0 t - 640 t |       |      |      |       |
|     | 85°  | 85°    | 75°         | 65°   | 55°  | 45°  | t     |
| 40  | -    | 154,0* | -           | -     | -    | -    | -     |
| 42  | -    | 154,0* | -           | -     | -    | -    | -     |
| 46  | -    | 151,0* | -           | -     | -    | -    | -     |
| 48  | 85,5 | 155,0  | -           | -     | -    | -    | 155,0 |
| 50  | 80,5 | 154,0  | -           | -     | -    | -    | 154,0 |
| 54  | 71,5 | 152,0  | -           | -     | -    | -    | 154,0 |
| 58  | 63,5 | 150,0  | -           | -     | -    | -    | 152,0 |
| 62  | 56,0 | 148,0  | -           | -     | -    | -    | 151,0 |
| 66  | 49,9 | 146,0  | -           | -     | -    | -    | 149,0 |
| 70  | 44,2 | 145,0  | -           | -     | -    | -    | 147,0 |
| 74  | 39,0 | 143,0  | 143,0       | -     | -    | -    | 144,0 |
| 78  | 34,2 | 131,0  | 143,0       | -     | -    | -    | 142,0 |
| 82  | 29,3 | 120,0  | 143,0       | -     | -    | -    | 139,0 |
| 86  | 24,9 | 110,0  | 135,0       | -     | -    | -    | 137,0 |
| 88  | 22,8 | 105,0  | 129,0       | -     | -    | -    | 136,0 |
| 90  | 20,9 | 101,0  | 124,0       | -     | -    | -    | 135,0 |
| 94  | 17,3 | 93,0   | 113,0       | -     | -    | -    | 132,0 |
| 98  | 14,0 | 85,5   | 104,0       | 124,0 | -    | -    | 125,0 |
| 100 | 12,5 | 82,0   | 100,0       | 121,0 | -    | -    | 121,5 |
| 102 | -    | 78,7   | 96,0        | 116,0 | -    | -    | 118,0 |
| 106 | -    | 72,7   | 88,0        | 106,0 | -    | -    | 112,0 |
| 108 | -    | 70,0   | 84,5        | 102,0 | -    | -    | 109,0 |
| 110 | -    | -      | 81,0        | 97,5  | -    | -    | 106,0 |
| 114 | -    | -      | 75,0        | 90,0  | -    | -    | 101,0 |
| 118 | -    | -      | 69,0        | 83,0  | -    | -    | 96,5  |
| 120 | -    | -      | 66,5        | 79,5  | 94,5 | -    | 93,7  |
| 122 | -    | -      | -           | 76,5  | 90,5 | -    | 91,0  |
| 126 | -    | -      | -           | 70,5  | 83,5 | -    | 84,5  |
| 128 | -    | -      | -           | 68,0  | 80,0 | -    | 80,7  |
| 130 | -    | -      | -           | -     | 77,0 | -    | 77,0  |
| 134 | -    | -      | -           | -     | 71,0 | -    | 68,5  |
| 136 | -    | -      | -           | -     | 68,5 | -    | 64,0  |
| 138 | -    | -      | -           | -     | -    | 62,0 | 59,5  |
| 142 | -    | -      | -           | -     | -    | 58,5 | 51,5  |
| 144 | -    | -      | -           | -     | -    | 57,0 | 47,3  |
| 146 | -    | -      | -           | -     | -    | -    | 43,2  |
| 150 | -    | -      | -           | -     | -    | -    | 34,8  |

60 m + 36 m

| m  | SWSL  |        |             |       |       |       | SFSL  |
|----|-------|--------|-------------|-------|-------|-------|-------|
|    | 0 t   |        | 0 t - 640 t |       |       |       |       |
|    | 85°   | 85°    | 75°         | 65°   | 55°   | 45°   | t     |
| 18 | -     | 573,0* | -           | -     | -     | -     | -     |
| 20 | -     | 564,0* | -           | -     | -     | -     | -     |
| 22 | -     | 545,0* | -           | -     | -     | -     | -     |
| 24 | 280,0 | 600,0  | -           | -     | -     | -     | 584,0 |
| 26 | 259,0 | 587,0  | -           | -     | -     | -     | 584,0 |
| 28 | 240,0 | 574,0  | -           | -     | -     | -     | 584,0 |
| 30 | 223,0 | 556,0  | -           | -     | -     | -     | 584,0 |
| 34 | 195,0 | 459,0  | -           | -     | -     | -     | 584,0 |
| 38 | 166,0 | 389,0  | -           | -     | -     | -     | 570,0 |
| 39 | 160,5 | 375,0  | 568,0       | -     | -     | -     | 562,0 |
| 42 | 144,0 | 337,0  | 513,0       | -     | -     | -     | 527,0 |
| 46 | -     | -      | 429,0       | -     | -     | -     | 473,0 |
| 50 | -     | -      | 367,0       | -     | -     | -     | 426,0 |
| 52 | -     | -      | 341,0       | -     | -     | -     | 406,0 |
| 54 | -     | -      | -           | 390,0 | -     | -     | 386,0 |
| 58 | -     | -      | -           | 360,0 | -     | -     | 352,0 |
| 62 | -     | -      | -           | 334,0 | -     | -     | 322,0 |
| 63 | -     | -      | -           | 328,0 | -     | -     | 313,7 |
| 66 | -     | -      | -           | -     | -     | -     | 289,0 |
| 67 | -     | -      | -           | -     | 282,0 | -     | 281,0 |
| 70 | -     | -      | -           | -     | 267,0 | -     | 257,0 |
| 72 | -     | -      | -           | -     | 258,0 | -     | 242,5 |
| 74 | -     | -      | -           | -     | -     | -     | 228,0 |
| 78 | -     | -      | -           | -     | -     | 202,0 | 202,0 |
| 80 | -     | -      | -           | -     | -     | 196,0 | 191,5 |
| 82 | -     | -      | -           | -     | -     | -     | 184,0 |
| 86 | -     | -      | -           | -     | -     | -     | 165,0 |

60 m + 48 m

| m  | t     | t      | t     | t     | t     | t     | t     |
|----|-------|--------|-------|-------|-------|-------|-------|
| 22 | -     | 457,0* | -     | -     | -     | -     | -     |
| 24 | -     | 446,0* | -     | -     | -     | -     | -     |
| 26 | -     | 434,0* | -     | -     | -     | -     | -     |
| 28 | 225,0 | 476,0  | -     | -     | -     | -     | 463,0 |
| 30 | 209,0 | 468,0  | -     | -     | -     | -     | 463,0 |
| 34 | 183,0 | 453,0  | -     | -     | -     | -     | 463,0 |
| 38 | 162,0 | 419,0  | -     | -     | -     | -     | 463,0 |
| 42 | 141,0 | 362,0  | -     | -     | -     | -     | 462,0 |
| 45 | 127,5 | 327,5  | 464,0 | -     | -     | -     | 447,0 |
| 46 | 123,0 | 317,0  | 461,0 | -     | -     | -     | 441,0 |
| 50 | 109,0 | 281,0  | 394,0 | -     | -     | -     | 418,0 |
| 54 | 97,5  | 248,0  | 342,0 | -     | -     | -     | 389,0 |
| 58 | -     | -      | 302,0 | -     | -     | -     | 354,0 |
| 62 | -     | -      | 269,0 | 327,0 | -     | -     | 324,0 |
| 64 | -     | -      | 255,0 | 316,0 | -     | -     | 310,5 |
| 66 | -     | -      | -     | 305,0 | -     | -     | 297,0 |
| 70 | -     | -      | -     | 284,0 | -     | -     | 274,0 |
| 74 | -     | -      | -     | 255,0 | -     | -     | 247,0 |
| 75 | -     | -      | -     | 248,0 | -     | -     | 240,7 |
| 76 | -     | -      | -     | -     | 235,0 | -     | 234,5 |
| 78 | -     | -      | -     | -     | 227,0 | -     | 222,0 |
| 82 | -     | -      | -     | -     | 213,0 | -     | 199,0 |
| 84 | -     | -      | -     | -     | 207,0 | -     | 188,0 |
| 86 | -     | -      | -     | -     | -     | -     | 177,0 |
| 89 | -     | -      | -     | -     | -     | 164,0 | 162,2 |
| 90 | -     | -      | -     | -     | -     | 161,0 | 159,0 |
| 92 | -     | -      | -     | -     | -     | 157,0 | 153,5 |
| 94 | -     | -      | -     | -     | -     | -     | 148,0 |
| 98 | -     | -      | -     | -     | -     | -     | 129,0 |

6 m steps of luffing jib is standard · 6 m Stufung der Wippe ist Standard · Des paliers de 6 m sont de série pour la fléchette

Main boom angle 88°, 85°, 75°, 65°, 55° and 45°; capacities for intermediate boom positions are calculated by the crane control system IC-1

Hauptauslegerwinkel 88°, 85°, 75°, 65°, 55° und 45°; Traglasten für Zwischenstellungen des Hauptauslegers werden von der Kransteuerung IC-1 berechnet

Jarret de flèche principale 88°, 85°, 75°, 65°, 55° et 45° ; le système de commande de la grue IC-1 calcule les charges pour les positions intermédiaires de la flèche

\* Main boom angle 88° · Hauptauslegerwinkel 88° · Jarret de flèche principale 88°

| 295 t + 60 t ZB   |       | 19-30 m |       | 10,5 m |       | 9.8 m/s     |   | 360° |       | ISO   |      |      |  |  |  |  |  |  |  |  |  |  |      |             |  |  |  |  |  |  |  |  |  |  |  |  |     |     |     |     |     |     |  |  |  |  |  |   |   |   |   |   |   |   |   |   |   |   |   |    |   |        |   |   |   |   |   |   |   |   |   |    |   |        |   |   |   |   |   |   |   |   |   |    |       |        |   |   |   |   |   |   |   |       |   |    |       |       |   |   |   |   |   |   |   |       |   |    |       |       |   |   |   |   |   |   |   |       |   |    |       |       |   |   |   |   |   |   |   |       |   |    |       |       |   |   |   |   |   |   |   |       |   |    |       |       |   |   |   |   |   |   |   |       |   |    |       |       |       |   |   |   |   |   |   |       |   |    |       |       |       |   |   |   |   |   |   |       |   |    |      |       |       |   |   |   |   |   |   |       |   |    |      |       |       |   |   |   |   |   |   |       |   |    |      |       |       |   |   |   |   |   |   |       |   |    |      |       |       |   |   |   |   |   |   |       |   |    |   |   |       |       |   |   |   |   |   |       |   |    |   |   |       |       |   |   |   |   |   |       |   |    |   |   |       |       |   |   |   |   |   |       |   |    |   |   |       |       |   |   |   |   |   |       |   |    |   |   |   |       |   |   |   |   |   |       |   |    |   |   |   |       |   |   |   |   |   |       |   |    |   |   |   |       |       |   |   |   |   |       |   |    |   |   |   |       |       |   |   |   |   |       |   |    |   |   |   |   |       |   |   |   |   |       |   |     |   |   |   |   |       |   |   |   |   |       |   |     |   |   |   |   |       |   |   |   |   |       |   |     |   |   |   |   |   |   |   |   |       |       |   |     |   |   |   |   |   |   |   |   |       |       |   |     |   |   |   |   |   |   |   |   |       |       |   |     |   |   |   |   |   |   |   |   |   |       |   |     |   |   |   |   |   |   |   |   |   |       |   |
|---|-------|---------|-------|--------|-------|-------------|---|------|-------|-------|------|------|--|--|--|--|--|--|--|--|--|--|------|-------------|--|--|--|--|--|--|--|--|--|--|--|--|-----|-----|-----|-----|-----|-----|--|--|--|--|--|---|---|---|---|---|---|---|---|---|---|---|---|----|---|--------|---|---|---|---|---|---|---|---|---|----|---|--------|---|---|---|---|---|---|---|---|---|----|-------|--------|---|---|---|---|---|---|---|-------|---|----|-------|-------|---|---|---|---|---|---|---|-------|---|----|-------|-------|---|---|---|---|---|---|---|-------|---|----|-------|-------|---|---|---|---|---|---|---|-------|---|----|-------|-------|---|---|---|---|---|---|---|-------|---|----|-------|-------|---|---|---|---|---|---|---|-------|---|----|-------|-------|-------|---|---|---|---|---|---|-------|---|----|-------|-------|-------|---|---|---|---|---|---|-------|---|----|------|-------|-------|---|---|---|---|---|---|-------|---|----|------|-------|-------|---|---|---|---|---|---|-------|---|----|------|-------|-------|---|---|---|---|---|---|-------|---|----|------|-------|-------|---|---|---|---|---|---|-------|---|----|---|---|-------|-------|---|---|---|---|---|-------|---|----|---|---|-------|-------|---|---|---|---|---|-------|---|----|---|---|-------|-------|---|---|---|---|---|-------|---|----|---|---|-------|-------|---|---|---|---|---|-------|---|----|---|---|---|-------|---|---|---|---|---|-------|---|----|---|---|---|-------|---|---|---|---|---|-------|---|----|---|---|---|-------|-------|---|---|---|---|-------|---|----|---|---|---|-------|-------|---|---|---|---|-------|---|----|---|---|---|---|-------|---|---|---|---|-------|---|-----|---|---|---|---|-------|---|---|---|---|-------|---|-----|---|---|---|---|-------|---|---|---|---|-------|---|-----|---|---|---|---|---|---|---|---|-------|-------|---|-----|---|---|---|---|---|---|---|---|-------|-------|---|-----|---|---|---|---|---|---|---|---|-------|-------|---|-----|---|---|---|---|---|---|---|---|---|-------|---|-----|---|---|---|---|---|---|---|---|---|-------|---|
| 60 m + 60 m   |       |         |       |        |       | 60 m + 72 m |   |      |       |       |      |      |  |  |  |  |  |  |  |  |  |  |      |             |  |  |  |  |  |  |  |  |  |  |  |  |     |     |     |     |     |     |  |  |  |  |  |   |   |   |   |   |   |   |   |   |   |   |   |    |   |        |   |   |   |   |   |   |   |   |   |    |   |        |   |   |   |   |   |   |   |   |   |    |       |        |   |   |   |   |   |   |   |       |   |    |       |       |   |   |   |   |   |   |   |       |   |    |       |       |   |   |   |   |   |   |   |       |   |    |       |       |   |   |   |   |   |   |   |       |   |    |       |       |   |   |   |   |   |   |   |       |   |    |       |       |   |   |   |   |   |   |   |       |   |    |       |       |       |   |   |   |   |   |   |       |   |    |       |       |       |   |   |   |   |   |   |       |   |    |      |       |       |   |   |   |   |   |   |       |   |    |      |       |       |   |   |   |   |   |   |       |   |    |      |       |       |   |   |   |   |   |   |       |   |    |      |       |       |   |   |   |   |   |   |       |   |    |   |   |       |       |   |   |   |   |   |       |   |    |   |   |       |       |   |   |   |   |   |       |   |    |   |   |       |       |   |   |   |   |   |       |   |    |   |   |       |       |   |   |   |   |   |       |   |    |   |   |   |       |   |   |   |   |   |       |   |    |   |   |   |       |   |   |   |   |   |       |   |    |   |   |   |       |       |   |   |   |   |       |   |    |   |   |   |       |       |   |   |   |   |       |   |    |   |   |   |   |       |   |   |   |   |       |   |     |   |   |   |   |       |   |   |   |   |       |   |     |   |   |   |   |       |   |   |   |   |       |   |     |   |   |   |   |   |   |   |   |       |       |   |     |   |   |   |   |   |   |   |   |       |       |   |     |   |   |   |   |   |   |   |   |       |       |   |     |   |   |   |   |   |   |   |   |   |       |   |     |   |   |   |   |   |   |   |   |   |       |   |
| <table border="1"> <thead> <tr> <th colspan="11">SWSL</th> <th>SFSL</th> </tr> <tr> <th colspan="12">0 t - 640 t</th> </tr> <tr> <th></th> <th>85°</th> <th>85°</th> <th>75°</th> <th>65°</th> <th>55°</th> <th>45°</th> <th colspan="5"></th> </tr> <tr> <th>m</th> <th>t</th> <th>t</th> <th>t</th> <th>t</th> <th>t</th> <th>t</th> <th>t</th> <th>t</th> <th>t</th> <th>t</th> <th>t</th> </tr> </thead> <tbody> <tr><td>26</td><td>-</td><td>364,0*</td><td>-</td><td>-</td><td>-</td><td>-</td><td>-</td><td>-</td><td>-</td><td>-</td><td>-</td></tr> <tr><td>28</td><td>-</td><td>357,0*</td><td>-</td><td>-</td><td>-</td><td>-</td><td>-</td><td>-</td><td>-</td><td>-</td><td>-</td></tr> <tr><td>30</td><td>-</td><td>350,0*</td><td>-</td><td>-</td><td>-</td><td>-</td><td>-</td><td>-</td><td>-</td><td>-</td><td>-</td></tr> <tr><td>32</td><td>184,0</td><td>380,0</td><td>-</td><td>-</td><td>-</td><td>-</td><td>-</td><td>-</td><td>-</td><td>370,0</td><td>-</td></tr> <tr><td>34</td><td>172,0</td><td>376,0</td><td>-</td><td>-</td><td>-</td><td>-</td><td>-</td><td>-</td><td>-</td><td>370,0</td><td>-</td></tr> <tr><td>38</td><td>152,0</td><td>367,0</td><td>-</td><td>-</td><td>-</td><td>-</td><td>-</td><td>-</td><td>-</td><td>370,0</td><td>-</td></tr> <tr><td>42</td><td>136,0</td><td>357,0</td><td>-</td><td>-</td><td>-</td><td>-</td><td>-</td><td>-</td><td>-</td><td>370,0</td><td>-</td></tr> <tr><td>46</td><td>122,0</td><td>333,0</td><td>-</td><td>-</td><td>-</td><td>-</td><td>-</td><td>-</td><td>-</td><td>370,0</td><td>-</td></tr> <tr><td>50</td><td>108,0</td><td>295,0</td><td>-</td><td>-</td><td>-</td><td>-</td><td>-</td><td>-</td><td>-</td><td>363,0</td><td>-</td></tr> <tr><td>52</td><td>102,0</td><td>278,0</td><td>384,0</td><td>-</td><td>-</td><td>-</td><td>-</td><td>-</td><td>-</td><td>354,5</td><td>-</td></tr> <tr><td>54</td><td>96,5</td><td>264,0</td><td>360,0</td><td>-</td><td>-</td><td>-</td><td>-</td><td>-</td><td>-</td><td>347,0</td><td>-</td></tr> <tr><td>58</td><td>86,0</td><td>238,0</td><td>316,0</td><td>-</td><td>-</td><td>-</td><td>-</td><td>-</td><td>-</td><td>334,0</td><td>-</td></tr> <tr><td>62</td><td>77,5</td><td>216,0</td><td>282,0</td><td>-</td><td>-</td><td>-</td><td>-</td><td>-</td><td>-</td><td>321,0</td><td>-</td></tr> <tr><td>66</td><td>70,0</td><td>182,0</td><td>253,0</td><td>-</td><td>-</td><td>-</td><td>-</td><td>-</td><td>-</td><td>302,0</td><td>-</td></tr> <tr><td>69</td><td>-</td><td>-</td><td>234,5</td><td>286,0</td><td>-</td><td>-</td><td>-</td><td>-</td><td>-</td><td>284,0</td><td>-</td></tr> <tr><td>70</td><td>-</td><td>-</td><td>229,0</td><td>282,0</td><td>-</td><td>-</td><td>-</td><td>-</td><td>-</td><td>278,0</td><td>-</td></tr> <tr><td>74</td><td>-</td><td>-</td><td>208,0</td><td>264,0</td><td>-</td><td>-</td><td>-</td><td>-</td><td>-</td><td>257,0</td><td>-</td></tr> <tr><td>76</td><td>-</td><td>-</td><td>199,0</td><td>252,0</td><td>-</td><td>-</td><td>-</td><td>-</td><td>-</td><td>248,0</td><td>-</td></tr> <tr><td>78</td><td>-</td><td>-</td><td>-</td><td>240,0</td><td>-</td><td>-</td><td>-</td><td>-</td><td>-</td><td>239,0</td><td>-</td></tr> <tr><td>82</td><td>-</td><td>-</td><td>-</td><td>218,0</td><td>-</td><td>-</td><td>-</td><td>-</td><td>-</td><td>217,0</td><td>-</td></tr> <tr><td>86</td><td>-</td><td>-</td><td>-</td><td>199,0</td><td>198,0</td><td>-</td><td>-</td><td>-</td><td>-</td><td>196,0</td><td>-</td></tr> <tr><td>90</td><td>-</td><td>-</td><td>-</td><td>-</td><td>186,0</td><td>-</td><td>-</td><td>-</td><td>-</td><td>177,0</td><td>-</td></tr> <tr><td>94</td><td>-</td><td>-</td><td>-</td><td>-</td><td>176,0</td><td>-</td><td>-</td><td>-</td><td>-</td><td>158,0</td><td>-</td></tr> <tr><td>95</td><td>-</td><td>-</td><td>-</td><td>-</td><td>174,0</td><td>-</td><td>-</td><td>-</td><td>-</td><td>153,7</td><td>-</td></tr> <tr><td>98</td><td>-</td><td>-</td><td>-</td><td>-</td><td>-</td><td>-</td><td>-</td><td>-</td><td>-</td><td>141,0</td><td>-</td></tr> <tr><td>99</td><td>-</td><td>-</td><td>-</td><td>-</td><td>-</td><td>-</td><td>-</td><td>-</td><td>139,0</td><td>137,7</td><td>-</td></tr> <tr><td>102</td><td>-</td><td>-</td><td>-</td><td>-</td><td>-</td><td>-</td><td>-</td><td>-</td><td>134,0</td><td>131,0</td><td>-</td></tr> <tr><td>103</td><td>-</td><td>-</td><td>-</td><td>-</td><td>-</td><td>-</td><td>-</td><td>-</td><td>132,0</td><td>127,7</td><td>-</td></tr> <tr><td>106</td><td>-</td><td>-</td><td>-</td><td>-</td><td>-</td><td>-</td><td>-</td><td>-</td><td>-</td><td>118,0</td><td>-</td></tr> <tr><td>110</td><td>-</td><td>-</td><td>-</td><td>-</td><td>-</td><td>-</td><td>-</td><td>-</td><td>-</td><td>103,0</td><td>-</td></tr> </tbody> </table> |       |         |       |        |       |             |   |      |       |       |      | SWSL |  |  |  |  |  |  |  |  |  |  | SFSL | 0 t - 640 t |  |  |  |  |  |  |  |  |  |  |  |  | 85° | 85° | 75° | 65° | 55° | 45° |  |  |  |  |  | m | t | t | t | t | t | t | t | t | t | t | t | 26 | - | 364,0* | - | - | - | - | - | - | - | - | - | 28 | - | 357,0* | - | - | - | - | - | - | - | - | - | 30 | -     | 350,0* | - | - | - | - | - | - | - | -     | - | 32 | 184,0 | 380,0 | - | - | - | - | - | - | - | 370,0 | - | 34 | 172,0 | 376,0 | - | - | - | - | - | - | - | 370,0 | - | 38 | 152,0 | 367,0 | - | - | - | - | - | - | - | 370,0 | - | 42 | 136,0 | 357,0 | - | - | - | - | - | - | - | 370,0 | - | 46 | 122,0 | 333,0 | - | - | - | - | - | - | - | 370,0 | - | 50 | 108,0 | 295,0 | -     | - | - | - | - | - | - | 363,0 | - | 52 | 102,0 | 278,0 | 384,0 | - | - | - | - | - | - | 354,5 | - | 54 | 96,5 | 264,0 | 360,0 | - | - | - | - | - | - | 347,0 | - | 58 | 86,0 | 238,0 | 316,0 | - | - | - | - | - | - | 334,0 | - | 62 | 77,5 | 216,0 | 282,0 | - | - | - | - | - | - | 321,0 | - | 66 | 70,0 | 182,0 | 253,0 | - | - | - | - | - | - | 302,0 | - | 69 | - | - | 234,5 | 286,0 | - | - | - | - | - | 284,0 | - | 70 | - | - | 229,0 | 282,0 | - | - | - | - | - | 278,0 | - | 74 | - | - | 208,0 | 264,0 | - | - | - | - | - | 257,0 | - | 76 | - | - | 199,0 | 252,0 | - | - | - | - | - | 248,0 | - | 78 | - | - | - | 240,0 | - | - | - | - | - | 239,0 | - | 82 | - | - | - | 218,0 | - | - | - | - | - | 217,0 | - | 86 | - | - | - | 199,0 | 198,0 | - | - | - | - | 196,0 | - | 90 | - | - | - | -     | 186,0 | - | - | - | - | 177,0 | - | 94 | - | - | - | - | 176,0 | - | - | - | - | 158,0 | - | 95  | - | - | - | - | 174,0 | - | - | - | - | 153,7 | - | 98  | - | - | - | - | -     | - | - | - | - | 141,0 | - | 99  | - | - | - | - | - | - | - | - | 139,0 | 137,7 | - | 102 | - | - | - | - | - | - | - | - | 134,0 | 131,0 | - | 103 | - | - | - | - | - | - | - | - | 132,0 | 127,7 | - | 106 | - | - | - | - | - | - | - | - | - | 118,0 | - | 110 | - | - | - | - | - | - | - | - | - | 103,0 | - |
| SWSL  |       |         |       |        |       |             |   |      |       |       | SFSL |      |  |  |  |  |  |  |  |  |  |  |      |             |  |  |  |  |  |  |  |  |  |  |  |  |     |     |     |     |     |     |  |  |  |  |  |   |   |   |   |   |   |   |   |   |   |   |   |    |   |        |   |   |   |   |   |   |   |   |   |    |   |        |   |   |   |   |   |   |   |   |   |    |       |        |   |   |   |   |   |   |   |       |   |    |       |       |   |   |   |   |   |   |   |       |   |    |       |       |   |   |   |   |   |   |   |       |   |    |       |       |   |   |   |   |   |   |   |       |   |    |       |       |   |   |   |   |   |   |   |       |   |    |       |       |   |   |   |   |   |   |   |       |   |    |       |       |       |   |   |   |   |   |   |       |   |    |       |       |       |   |   |   |   |   |   |       |   |    |      |       |       |   |   |   |   |   |   |       |   |    |      |       |       |   |   |   |   |   |   |       |   |    |      |       |       |   |   |   |   |   |   |       |   |    |      |       |       |   |   |   |   |   |   |       |   |    |   |   |       |       |   |   |   |   |   |       |   |    |   |   |       |       |   |   |   |   |   |       |   |    |   |   |       |       |   |   |   |   |   |       |   |    |   |   |       |       |   |   |   |   |   |       |   |    |   |   |   |       |   |   |   |   |   |       |   |    |   |   |   |       |   |   |   |   |   |       |   |    |   |   |   |       |       |   |   |   |   |       |   |    |   |   |   |       |       |   |   |   |   |       |   |    |   |   |   |   |       |   |   |   |   |       |   |     |   |   |   |   |       |   |   |   |   |       |   |     |   |   |   |   |       |   |   |   |   |       |   |     |   |   |   |   |   |   |   |   |       |       |   |     |   |   |   |   |   |   |   |   |       |       |   |     |   |   |   |   |   |   |   |   |       |       |   |     |   |   |   |   |   |   |   |   |   |       |   |     |   |   |   |   |   |   |   |   |   |       |   |
| 0 t - 640 t   |       |         |       |        |       |             |   |      |       |       |      |      |  |  |  |  |  |  |  |  |  |  |      |             |  |  |  |  |  |  |  |  |  |  |  |  |     |     |     |     |     |     |  |  |  |  |  |   |   |   |   |   |   |   |   |   |   |   |   |    |   |        |   |   |   |   |   |   |   |   |   |    |   |        |   |   |   |   |   |   |   |   |   |    |       |        |   |   |   |   |   |   |   |       |   |    |       |       |   |   |   |   |   |   |   |       |   |    |       |       |   |   |   |   |   |   |   |       |   |    |       |       |   |   |   |   |   |   |   |       |   |    |       |       |   |   |   |   |   |   |   |       |   |    |       |       |   |   |   |   |   |   |   |       |   |    |       |       |       |   |   |   |   |   |   |       |   |    |       |       |       |   |   |   |   |   |   |       |   |    |      |       |       |   |   |   |   |   |   |       |   |    |      |       |       |   |   |   |   |   |   |       |   |    |      |       |       |   |   |   |   |   |   |       |   |    |      |       |       |   |   |   |   |   |   |       |   |    |   |   |       |       |   |   |   |   |   |       |   |    |   |   |       |       |   |   |   |   |   |       |   |    |   |   |       |       |   |   |   |   |   |       |   |    |   |   |       |       |   |   |   |   |   |       |   |    |   |   |   |       |   |   |   |   |   |       |   |    |   |   |   |       |   |   |   |   |   |       |   |    |   |   |   |       |       |   |   |   |   |       |   |    |   |   |   |       |       |   |   |   |   |       |   |    |   |   |   |   |       |   |   |   |   |       |   |     |   |   |   |   |       |   |   |   |   |       |   |     |   |   |   |   |       |   |   |   |   |       |   |     |   |   |   |   |   |   |   |   |       |       |   |     |   |   |   |   |   |   |   |   |       |       |   |     |   |   |   |   |   |   |   |   |       |       |   |     |   |   |   |   |   |   |   |   |   |       |   |     |   |   |   |   |   |   |   |   |   |       |   |
|   | 85°   | 85°     | 75°   | 65°    | 55°   | 45°         |   |      |       |       |      |      |  |  |  |  |  |  |  |  |  |  |      |             |  |  |  |  |  |  |  |  |  |  |  |  |     |     |     |     |     |     |  |  |  |  |  |   |   |   |   |   |   |   |   |   |   |   |   |    |   |        |   |   |   |   |   |   |   |   |   |    |   |        |   |   |   |   |   |   |   |   |   |    |       |        |   |   |   |   |   |   |   |       |   |    |       |       |   |   |   |   |   |   |   |       |   |    |       |       |   |   |   |   |   |   |   |       |   |    |       |       |   |   |   |   |   |   |   |       |   |    |       |       |   |   |   |   |   |   |   |       |   |    |       |       |   |   |   |   |   |   |   |       |   |    |       |       |       |   |   |   |   |   |   |       |   |    |       |       |       |   |   |   |   |   |   |       |   |    |      |       |       |   |   |   |   |   |   |       |   |    |      |       |       |   |   |   |   |   |   |       |   |    |      |       |       |   |   |   |   |   |   |       |   |    |      |       |       |   |   |   |   |   |   |       |   |    |   |   |       |       |   |   |   |   |   |       |   |    |   |   |       |       |   |   |   |   |   |       |   |    |   |   |       |       |   |   |   |   |   |       |   |    |   |   |       |       |   |   |   |   |   |       |   |    |   |   |   |       |   |   |   |   |   |       |   |    |   |   |   |       |   |   |   |   |   |       |   |    |   |   |   |       |       |   |   |   |   |       |   |    |   |   |   |       |       |   |   |   |   |       |   |    |   |   |   |   |       |   |   |   |   |       |   |     |   |   |   |   |       |   |   |   |   |       |   |     |   |   |   |   |       |   |   |   |   |       |   |     |   |   |   |   |   |   |   |   |       |       |   |     |   |   |   |   |   |   |   |   |       |       |   |     |   |   |   |   |   |   |   |   |       |       |   |     |   |   |   |   |   |   |   |   |   |       |   |     |   |   |   |   |   |   |   |   |   |       |   |
| m   | t     | t       | t     | t      | t     | t           | t | t    | t     | t     | t    |      |  |  |  |  |  |  |  |  |  |  |      |             |  |  |  |  |  |  |  |  |  |  |  |  |     |     |     |     |     |     |  |  |  |  |  |   |   |   |   |   |   |   |   |   |   |   |   |    |   |        |   |   |   |   |   |   |   |   |   |    |   |        |   |   |   |   |   |   |   |   |   |    |       |        |   |   |   |   |   |   |   |       |   |    |       |       |   |   |   |   |   |   |   |       |   |    |       |       |   |   |   |   |   |   |   |       |   |    |       |       |   |   |   |   |   |   |   |       |   |    |       |       |   |   |   |   |   |   |   |       |   |    |       |       |   |   |   |   |   |   |   |       |   |    |       |       |       |   |   |   |   |   |   |       |   |    |       |       |       |   |   |   |   |   |   |       |   |    |      |       |       |   |   |   |   |   |   |       |   |    |      |       |       |   |   |   |   |   |   |       |   |    |      |       |       |   |   |   |   |   |   |       |   |    |      |       |       |   |   |   |   |   |   |       |   |    |   |   |       |       |   |   |   |   |   |       |   |    |   |   |       |       |   |   |   |   |   |       |   |    |   |   |       |       |   |   |   |   |   |       |   |    |   |   |       |       |   |   |   |   |   |       |   |    |   |   |   |       |   |   |   |   |   |       |   |    |   |   |   |       |   |   |   |   |   |       |   |    |   |   |   |       |       |   |   |   |   |       |   |    |   |   |   |       |       |   |   |   |   |       |   |    |   |   |   |   |       |   |   |   |   |       |   |     |   |   |   |   |       |   |   |   |   |       |   |     |   |   |   |   |       |   |   |   |   |       |   |     |   |   |   |   |   |   |   |   |       |       |   |     |   |   |   |   |   |   |   |   |       |       |   |     |   |   |   |   |   |   |   |   |       |       |   |     |   |   |   |   |   |   |   |   |   |       |   |     |   |   |   |   |   |   |   |   |   |       |   |
| 26  | -     | 364,0*  | -     | -      | -     | -           | - | -    | -     | -     | -    |      |  |  |  |  |  |  |  |  |  |  |      |             |  |  |  |  |  |  |  |  |  |  |  |  |     |     |     |     |     |     |  |  |  |  |  |   |   |   |   |   |   |   |   |   |   |   |   |    |   |        |   |   |   |   |   |   |   |   |   |    |   |        |   |   |   |   |   |   |   |   |   |    |       |        |   |   |   |   |   |   |   |       |   |    |       |       |   |   |   |   |   |   |   |       |   |    |       |       |   |   |   |   |   |   |   |       |   |    |       |       |   |   |   |   |   |   |   |       |   |    |       |       |   |   |   |   |   |   |   |       |   |    |       |       |   |   |   |   |   |   |   |       |   |    |       |       |       |   |   |   |   |   |   |       |   |    |       |       |       |   |   |   |   |   |   |       |   |    |      |       |       |   |   |   |   |   |   |       |   |    |      |       |       |   |   |   |   |   |   |       |   |    |      |       |       |   |   |   |   |   |   |       |   |    |      |       |       |   |   |   |   |   |   |       |   |    |   |   |       |       |   |   |   |   |   |       |   |    |   |   |       |       |   |   |   |   |   |       |   |    |   |   |       |       |   |   |   |   |   |       |   |    |   |   |       |       |   |   |   |   |   |       |   |    |   |   |   |       |   |   |   |   |   |       |   |    |   |   |   |       |   |   |   |   |   |       |   |    |   |   |   |       |       |   |   |   |   |       |   |    |   |   |   |       |       |   |   |   |   |       |   |    |   |   |   |   |       |   |   |   |   |       |   |     |   |   |   |   |       |   |   |   |   |       |   |     |   |   |   |   |       |   |   |   |   |       |   |     |   |   |   |   |   |   |   |   |       |       |   |     |   |   |   |   |   |   |   |   |       |       |   |     |   |   |   |   |   |   |   |   |       |       |   |     |   |   |   |   |   |   |   |   |   |       |   |     |   |   |   |   |   |   |   |   |   |       |   |
| 28  | -     | 357,0*  | -     | -      | -     | -           | - | -    | -     | -     | -    |      |  |  |  |  |  |  |  |  |  |  |      |             |  |  |  |  |  |  |  |  |  |  |  |  |     |     |     |     |     |     |  |  |  |  |  |   |   |   |   |   |   |   |   |   |   |   |   |    |   |        |   |   |   |   |   |   |   |   |   |    |   |        |   |   |   |   |   |   |   |   |   |    |       |        |   |   |   |   |   |   |   |       |   |    |       |       |   |   |   |   |   |   |   |       |   |    |       |       |   |   |   |   |   |   |   |       |   |    |       |       |   |   |   |   |   |   |   |       |   |    |       |       |   |   |   |   |   |   |   |       |   |    |       |       |   |   |   |   |   |   |   |       |   |    |       |       |       |   |   |   |   |   |   |       |   |    |       |       |       |   |   |   |   |   |   |       |   |    |      |       |       |   |   |   |   |   |   |       |   |    |      |       |       |   |   |   |   |   |   |       |   |    |      |       |       |   |   |   |   |   |   |       |   |    |      |       |       |   |   |   |   |   |   |       |   |    |   |   |       |       |   |   |   |   |   |       |   |    |   |   |       |       |   |   |   |   |   |       |   |    |   |   |       |       |   |   |   |   |   |       |   |    |   |   |       |       |   |   |   |   |   |       |   |    |   |   |   |       |   |   |   |   |   |       |   |    |   |   |   |       |   |   |   |   |   |       |   |    |   |   |   |       |       |   |   |   |   |       |   |    |   |   |   |       |       |   |   |   |   |       |   |    |   |   |   |   |       |   |   |   |   |       |   |     |   |   |   |   |       |   |   |   |   |       |   |     |   |   |   |   |       |   |   |   |   |       |   |     |   |   |   |   |   |   |   |   |       |       |   |     |   |   |   |   |   |   |   |   |       |       |   |     |   |   |   |   |   |   |   |   |       |       |   |     |   |   |   |   |   |   |   |   |   |       |   |     |   |   |   |   |   |   |   |   |   |       |   |
| 30  | -     | 350,0*  | -     | -      | -     | -           | - | -    | -     | -     | -    |      |  |  |  |  |  |  |  |  |  |  |      |             |  |  |  |  |  |  |  |  |  |  |  |  |     |     |     |     |     |     |  |  |  |  |  |   |   |   |   |   |   |   |   |   |   |   |   |    |   |        |   |   |   |   |   |   |   |   |   |    |   |        |   |   |   |   |   |   |   |   |   |    |       |        |   |   |   |   |   |   |   |       |   |    |       |       |   |   |   |   |   |   |   |       |   |    |       |       |   |   |   |   |   |   |   |       |   |    |       |       |   |   |   |   |   |   |   |       |   |    |       |       |   |   |   |   |   |   |   |       |   |    |       |       |   |   |   |   |   |   |   |       |   |    |       |       |       |   |   |   |   |   |   |       |   |    |       |       |       |   |   |   |   |   |   |       |   |    |      |       |       |   |   |   |   |   |   |       |   |    |      |       |       |   |   |   |   |   |   |       |   |    |      |       |       |   |   |   |   |   |   |       |   |    |      |       |       |   |   |   |   |   |   |       |   |    |   |   |       |       |   |   |   |   |   |       |   |    |   |   |       |       |   |   |   |   |   |       |   |    |   |   |       |       |   |   |   |   |   |       |   |    |   |   |       |       |   |   |   |   |   |       |   |    |   |   |   |       |   |   |   |   |   |       |   |    |   |   |   |       |   |   |   |   |   |       |   |    |   |   |   |       |       |   |   |   |   |       |   |    |   |   |   |       |       |   |   |   |   |       |   |    |   |   |   |   |       |   |   |   |   |       |   |     |   |   |   |   |       |   |   |   |   |       |   |     |   |   |   |   |       |   |   |   |   |       |   |     |   |   |   |   |   |   |   |   |       |       |   |     |   |   |   |   |   |   |   |   |       |       |   |     |   |   |   |   |   |   |   |   |       |       |   |     |   |   |   |   |   |   |   |   |   |       |   |     |   |   |   |   |   |   |   |   |   |       |   |
| 32  | 184,0 | 380,0   | -     | -      | -     | -           | - | -    | -     | 370,0 | -    |      |  |  |  |  |  |  |  |  |  |  |      |             |  |  |  |  |  |  |  |  |  |  |  |  |     |     |     |     |     |     |  |  |  |  |  |   |   |   |   |   |   |   |   |   |   |   |   |    |   |        |   |   |   |   |   |   |   |   |   |    |   |        |   |   |   |   |   |   |   |   |   |    |       |        |   |   |   |   |   |   |   |       |   |    |       |       |   |   |   |   |   |   |   |       |   |    |       |       |   |   |   |   |   |   |   |       |   |    |       |       |   |   |   |   |   |   |   |       |   |    |       |       |   |   |   |   |   |   |   |       |   |    |       |       |   |   |   |   |   |   |   |       |   |    |       |       |       |   |   |   |   |   |   |       |   |    |       |       |       |   |   |   |   |   |   |       |   |    |      |       |       |   |   |   |   |   |   |       |   |    |      |       |       |   |   |   |   |   |   |       |   |    |      |       |       |   |   |   |   |   |   |       |   |    |      |       |       |   |   |   |   |   |   |       |   |    |   |   |       |       |   |   |   |   |   |       |   |    |   |   |       |       |   |   |   |   |   |       |   |    |   |   |       |       |   |   |   |   |   |       |   |    |   |   |       |       |   |   |   |   |   |       |   |    |   |   |   |       |   |   |   |   |   |       |   |    |   |   |   |       |   |   |   |   |   |       |   |    |   |   |   |       |       |   |   |   |   |       |   |    |   |   |   |       |       |   |   |   |   |       |   |    |   |   |   |   |       |   |   |   |   |       |   |     |   |   |   |   |       |   |   |   |   |       |   |     |   |   |   |   |       |   |   |   |   |       |   |     |   |   |   |   |   |   |   |   |       |       |   |     |   |   |   |   |   |   |   |   |       |       |   |     |   |   |   |   |   |   |   |   |       |       |   |     |   |   |   |   |   |   |   |   |   |       |   |     |   |   |   |   |   |   |   |   |   |       |   |
| 34  | 172,0 | 376,0   | -     | -      | -     | -           | - | -    | -     | 370,0 | -    |      |  |  |  |  |  |  |  |  |  |  |      |             |  |  |  |  |  |  |  |  |  |  |  |  |     |     |     |     |     |     |  |  |  |  |  |   |   |   |   |   |   |   |   |   |   |   |   |    |   |        |   |   |   |   |   |   |   |   |   |    |   |        |   |   |   |   |   |   |   |   |   |    |       |        |   |   |   |   |   |   |   |       |   |    |       |       |   |   |   |   |   |   |   |       |   |    |       |       |   |   |   |   |   |   |   |       |   |    |       |       |   |   |   |   |   |   |   |       |   |    |       |       |   |   |   |   |   |   |   |       |   |    |       |       |   |   |   |   |   |   |   |       |   |    |       |       |       |   |   |   |   |   |   |       |   |    |       |       |       |   |   |   |   |   |   |       |   |    |      |       |       |   |   |   |   |   |   |       |   |    |      |       |       |   |   |   |   |   |   |       |   |    |      |       |       |   |   |   |   |   |   |       |   |    |      |       |       |   |   |   |   |   |   |       |   |    |   |   |       |       |   |   |   |   |   |       |   |    |   |   |       |       |   |   |   |   |   |       |   |    |   |   |       |       |   |   |   |   |   |       |   |    |   |   |       |       |   |   |   |   |   |       |   |    |   |   |   |       |   |   |   |   |   |       |   |    |   |   |   |       |   |   |   |   |   |       |   |    |   |   |   |       |       |   |   |   |   |       |   |    |   |   |   |       |       |   |   |   |   |       |   |    |   |   |   |   |       |   |   |   |   |       |   |     |   |   |   |   |       |   |   |   |   |       |   |     |   |   |   |   |       |   |   |   |   |       |   |     |   |   |   |   |   |   |   |   |       |       |   |     |   |   |   |   |   |   |   |   |       |       |   |     |   |   |   |   |   |   |   |   |       |       |   |     |   |   |   |   |   |   |   |   |   |       |   |     |   |   |   |   |   |   |   |   |   |       |   |
| 38  | 152,0 | 367,0   | -     | -      | -     | -           | - | -    | -     | 370,0 | -    |      |  |  |  |  |  |  |  |  |  |  |      |             |  |  |  |  |  |  |  |  |  |  |  |  |     |     |     |     |     |     |  |  |  |  |  |   |   |   |   |   |   |   |   |   |   |   |   |    |   |        |   |   |   |   |   |   |   |   |   |    |   |        |   |   |   |   |   |   |   |   |   |    |       |        |   |   |   |   |   |   |   |       |   |    |       |       |   |   |   |   |   |   |   |       |   |    |       |       |   |   |   |   |   |   |   |       |   |    |       |       |   |   |   |   |   |   |   |       |   |    |       |       |   |   |   |   |   |   |   |       |   |    |       |       |   |   |   |   |   |   |   |       |   |    |       |       |       |   |   |   |   |   |   |       |   |    |       |       |       |   |   |   |   |   |   |       |   |    |      |       |       |   |   |   |   |   |   |       |   |    |      |       |       |   |   |   |   |   |   |       |   |    |      |       |       |   |   |   |   |   |   |       |   |    |      |       |       |   |   |   |   |   |   |       |   |    |   |   |       |       |   |   |   |   |   |       |   |    |   |   |       |       |   |   |   |   |   |       |   |    |   |   |       |       |   |   |   |   |   |       |   |    |   |   |       |       |   |   |   |   |   |       |   |    |   |   |   |       |   |   |   |   |   |       |   |    |   |   |   |       |   |   |   |   |   |       |   |    |   |   |   |       |       |   |   |   |   |       |   |    |   |   |   |       |       |   |   |   |   |       |   |    |   |   |   |   |       |   |   |   |   |       |   |     |   |   |   |   |       |   |   |   |   |       |   |     |   |   |   |   |       |   |   |   |   |       |   |     |   |   |   |   |   |   |   |   |       |       |   |     |   |   |   |   |   |   |   |   |       |       |   |     |   |   |   |   |   |   |   |   |       |       |   |     |   |   |   |   |   |   |   |   |   |       |   |     |   |   |   |   |   |   |   |   |   |       |   |
| 42  | 136,0 | 357,0   | -     | -      | -     | -           | - | -    | -     | 370,0 | -    |      |  |  |  |  |  |  |  |  |  |  |      |             |  |  |  |  |  |  |  |  |  |  |  |  |     |     |     |     |     |     |  |  |  |  |  |   |   |   |   |   |   |   |   |   |   |   |   |    |   |        |   |   |   |   |   |   |   |   |   |    |   |        |   |   |   |   |   |   |   |   |   |    |       |        |   |   |   |   |   |   |   |       |   |    |       |       |   |   |   |   |   |   |   |       |   |    |       |       |   |   |   |   |   |   |   |       |   |    |       |       |   |   |   |   |   |   |   |       |   |    |       |       |   |   |   |   |   |   |   |       |   |    |       |       |   |   |   |   |   |   |   |       |   |    |       |       |       |   |   |   |   |   |   |       |   |    |       |       |       |   |   |   |   |   |   |       |   |    |      |       |       |   |   |   |   |   |   |       |   |    |      |       |       |   |   |   |   |   |   |       |   |    |      |       |       |   |   |   |   |   |   |       |   |    |      |       |       |   |   |   |   |   |   |       |   |    |   |   |       |       |   |   |   |   |   |       |   |    |   |   |       |       |   |   |   |   |   |       |   |    |   |   |       |       |   |   |   |   |   |       |   |    |   |   |       |       |   |   |   |   |   |       |   |    |   |   |   |       |   |   |   |   |   |       |   |    |   |   |   |       |   |   |   |   |   |       |   |    |   |   |   |       |       |   |   |   |   |       |   |    |   |   |   |       |       |   |   |   |   |       |   |    |   |   |   |   |       |   |   |   |   |       |   |     |   |   |   |   |       |   |   |   |   |       |   |     |   |   |   |   |       |   |   |   |   |       |   |     |   |   |   |   |   |   |   |   |       |       |   |     |   |   |   |   |   |   |   |   |       |       |   |     |   |   |   |   |   |   |   |   |       |       |   |     |   |   |   |   |   |   |   |   |   |       |   |     |   |   |   |   |   |   |   |   |   |       |   |
| 46  | 122,0 | 333,0   | -     | -      | -     | -           | - | -    | -     | 370,0 | -    |      |  |  |  |  |  |  |  |  |  |  |      |             |  |  |  |  |  |  |  |  |  |  |  |  |     |     |     |     |     |     |  |  |  |  |  |   |   |   |   |   |   |   |   |   |   |   |   |    |   |        |   |   |   |   |   |   |   |   |   |    |   |        |   |   |   |   |   |   |   |   |   |    |       |        |   |   |   |   |   |   |   |       |   |    |       |       |   |   |   |   |   |   |   |       |   |    |       |       |   |   |   |   |   |   |   |       |   |    |       |       |   |   |   |   |   |   |   |       |   |    |       |       |   |   |   |   |   |   |   |       |   |    |       |       |   |   |   |   |   |   |   |       |   |    |       |       |       |   |   |   |   |   |   |       |   |    |       |       |       |   |   |   |   |   |   |       |   |    |      |       |       |   |   |   |   |   |   |       |   |    |      |       |       |   |   |   |   |   |   |       |   |    |      |       |       |   |   |   |   |   |   |       |   |    |      |       |       |   |   |   |   |   |   |       |   |    |   |   |       |       |   |   |   |   |   |       |   |    |   |   |       |       |   |   |   |   |   |       |   |    |   |   |       |       |   |   |   |   |   |       |   |    |   |   |       |       |   |   |   |   |   |       |   |    |   |   |   |       |   |   |   |   |   |       |   |    |   |   |   |       |   |   |   |   |   |       |   |    |   |   |   |       |       |   |   |   |   |       |   |    |   |   |   |       |       |   |   |   |   |       |   |    |   |   |   |   |       |   |   |   |   |       |   |     |   |   |   |   |       |   |   |   |   |       |   |     |   |   |   |   |       |   |   |   |   |       |   |     |   |   |   |   |   |   |   |   |       |       |   |     |   |   |   |   |   |   |   |   |       |       |   |     |   |   |   |   |   |   |   |   |       |       |   |     |   |   |   |   |   |   |   |   |   |       |   |     |   |   |   |   |   |   |   |   |   |       |   |
| 50  | 108,0 | 295,0   | -     | -      | -     | -           | - | -    | -     | 363,0 | -    |      |  |  |  |  |  |  |  |  |  |  |      |             |  |  |  |  |  |  |  |  |  |  |  |  |     |     |     |     |     |     |  |  |  |  |  |   |   |   |   |   |   |   |   |   |   |   |   |    |   |        |   |   |   |   |   |   |   |   |   |    |   |        |   |   |   |   |   |   |   |   |   |    |       |        |   |   |   |   |   |   |   |       |   |    |       |       |   |   |   |   |   |   |   |       |   |    |       |       |   |   |   |   |   |   |   |       |   |    |       |       |   |   |   |   |   |   |   |       |   |    |       |       |   |   |   |   |   |   |   |       |   |    |       |       |   |   |   |   |   |   |   |       |   |    |       |       |       |   |   |   |   |   |   |       |   |    |       |       |       |   |   |   |   |   |   |       |   |    |      |       |       |   |   |   |   |   |   |       |   |    |      |       |       |   |   |   |   |   |   |       |   |    |      |       |       |   |   |   |   |   |   |       |   |    |      |       |       |   |   |   |   |   |   |       |   |    |   |   |       |       |   |   |   |   |   |       |   |    |   |   |       |       |   |   |   |   |   |       |   |    |   |   |       |       |   |   |   |   |   |       |   |    |   |   |       |       |   |   |   |   |   |       |   |    |   |   |   |       |   |   |   |   |   |       |   |    |   |   |   |       |   |   |   |   |   |       |   |    |   |   |   |       |       |   |   |   |   |       |   |    |   |   |   |       |       |   |   |   |   |       |   |    |   |   |   |   |       |   |   |   |   |       |   |     |   |   |   |   |       |   |   |   |   |       |   |     |   |   |   |   |       |   |   |   |   |       |   |     |   |   |   |   |   |   |   |   |       |       |   |     |   |   |   |   |   |   |   |   |       |       |   |     |   |   |   |   |   |   |   |   |       |       |   |     |   |   |   |   |   |   |   |   |   |       |   |     |   |   |   |   |   |   |   |   |   |       |   |
| 52  | 102,0 | 278,0   | 384,0 | -      | -     | -           | - | -    | -     | 354,5 | -    |      |  |  |  |  |  |  |  |  |  |  |      |             |  |  |  |  |  |  |  |  |  |  |  |  |     |     |     |     |     |     |  |  |  |  |  |   |   |   |   |   |   |   |   |   |   |   |   |    |   |        |   |   |   |   |   |   |   |   |   |    |   |        |   |   |   |   |   |   |   |   |   |    |       |        |   |   |   |   |   |   |   |       |   |    |       |       |   |   |   |   |   |   |   |       |   |    |       |       |   |   |   |   |   |   |   |       |   |    |       |       |   |   |   |   |   |   |   |       |   |    |       |       |   |   |   |   |   |   |   |       |   |    |       |       |   |   |   |   |   |   |   |       |   |    |       |       |       |   |   |   |   |   |   |       |   |    |       |       |       |   |   |   |   |   |   |       |   |    |      |       |       |   |   |   |   |   |   |       |   |    |      |       |       |   |   |   |   |   |   |       |   |    |      |       |       |   |   |   |   |   |   |       |   |    |      |       |       |   |   |   |   |   |   |       |   |    |   |   |       |       |   |   |   |   |   |       |   |    |   |   |       |       |   |   |   |   |   |       |   |    |   |   |       |       |   |   |   |   |   |       |   |    |   |   |       |       |   |   |   |   |   |       |   |    |   |   |   |       |   |   |   |   |   |       |   |    |   |   |   |       |   |   |   |   |   |       |   |    |   |   |   |       |       |   |   |   |   |       |   |    |   |   |   |       |       |   |   |   |   |       |   |    |   |   |   |   |       |   |   |   |   |       |   |     |   |   |   |   |       |   |   |   |   |       |   |     |   |   |   |   |       |   |   |   |   |       |   |     |   |   |   |   |   |   |   |   |       |       |   |     |   |   |   |   |   |   |   |   |       |       |   |     |   |   |   |   |   |   |   |   |       |       |   |     |   |   |   |   |   |   |   |   |   |       |   |     |   |   |   |   |   |   |   |   |   |       |   |
| 54  | 96,5  | 264,0   | 360,0 | -      | -     | -           | - | -    | -     | 347,0 | -    |      |  |  |  |  |  |  |  |  |  |  |      |             |  |  |  |  |  |  |  |  |  |  |  |  |     |     |     |     |     |     |  |  |  |  |  |   |   |   |   |   |   |   |   |   |   |   |   |    |   |        |   |   |   |   |   |   |   |   |   |    |   |        |   |   |   |   |   |   |   |   |   |    |       |        |   |   |   |   |   |   |   |       |   |    |       |       |   |   |   |   |   |   |   |       |   |    |       |       |   |   |   |   |   |   |   |       |   |    |       |       |   |   |   |   |   |   |   |       |   |    |       |       |   |   |   |   |   |   |   |       |   |    |       |       |   |   |   |   |   |   |   |       |   |    |       |       |       |   |   |   |   |   |   |       |   |    |       |       |       |   |   |   |   |   |   |       |   |    |      |       |       |   |   |   |   |   |   |       |   |    |      |       |       |   |   |   |   |   |   |       |   |    |      |       |       |   |   |   |   |   |   |       |   |    |      |       |       |   |   |   |   |   |   |       |   |    |   |   |       |       |   |   |   |   |   |       |   |    |   |   |       |       |   |   |   |   |   |       |   |    |   |   |       |       |   |   |   |   |   |       |   |    |   |   |       |       |   |   |   |   |   |       |   |    |   |   |   |       |   |   |   |   |   |       |   |    |   |   |   |       |   |   |   |   |   |       |   |    |   |   |   |       |       |   |   |   |   |       |   |    |   |   |   |       |       |   |   |   |   |       |   |    |   |   |   |   |       |   |   |   |   |       |   |     |   |   |   |   |       |   |   |   |   |       |   |     |   |   |   |   |       |   |   |   |   |       |   |     |   |   |   |   |   |   |   |   |       |       |   |     |   |   |   |   |   |   |   |   |       |       |   |     |   |   |   |   |   |   |   |   |       |       |   |     |   |   |   |   |   |   |   |   |   |       |   |     |   |   |   |   |   |   |   |   |   |       |   |
| 58  | 86,0  | 238,0   | 316,0 | -      | -     | -           | - | -    | -     | 334,0 | -    |      |  |  |  |  |  |  |  |  |  |  |      |             |  |  |  |  |  |  |  |  |  |  |  |  |     |     |     |     |     |     |  |  |  |  |  |   |   |   |   |   |   |   |   |   |   |   |   |    |   |        |   |   |   |   |   |   |   |   |   |    |   |        |   |   |   |   |   |   |   |   |   |    |       |        |   |   |   |   |   |   |   |       |   |    |       |       |   |   |   |   |   |   |   |       |   |    |       |       |   |   |   |   |   |   |   |       |   |    |       |       |   |   |   |   |   |   |   |       |   |    |       |       |   |   |   |   |   |   |   |       |   |    |       |       |   |   |   |   |   |   |   |       |   |    |       |       |       |   |   |   |   |   |   |       |   |    |       |       |       |   |   |   |   |   |   |       |   |    |      |       |       |   |   |   |   |   |   |       |   |    |      |       |       |   |   |   |   |   |   |       |   |    |      |       |       |   |   |   |   |   |   |       |   |    |      |       |       |   |   |   |   |   |   |       |   |    |   |   |       |       |   |   |   |   |   |       |   |    |   |   |       |       |   |   |   |   |   |       |   |    |   |   |       |       |   |   |   |   |   |       |   |    |   |   |       |       |   |   |   |   |   |       |   |    |   |   |   |       |   |   |   |   |   |       |   |    |   |   |   |       |   |   |   |   |   |       |   |    |   |   |   |       |       |   |   |   |   |       |   |    |   |   |   |       |       |   |   |   |   |       |   |    |   |   |   |   |       |   |   |   |   |       |   |     |   |   |   |   |       |   |   |   |   |       |   |     |   |   |   |   |       |   |   |   |   |       |   |     |   |   |   |   |   |   |   |   |       |       |   |     |   |   |   |   |   |   |   |   |       |       |   |     |   |   |   |   |   |   |   |   |       |       |   |     |   |   |   |   |   |   |   |   |   |       |   |     |   |   |   |   |   |   |   |   |   |       |   |
| 62  | 77,5  | 216,0   | 282,0 | -      | -     | -           | - | -    | -     | 321,0 | -    |      |  |  |  |  |  |  |  |  |  |  |      |             |  |  |  |  |  |  |  |  |  |  |  |  |     |     |     |     |     |     |  |  |  |  |  |   |   |   |   |   |   |   |   |   |   |   |   |    |   |        |   |   |   |   |   |   |   |   |   |    |   |        |   |   |   |   |   |   |   |   |   |    |       |        |   |   |   |   |   |   |   |       |   |    |       |       |   |   |   |   |   |   |   |       |   |    |       |       |   |   |   |   |   |   |   |       |   |    |       |       |   |   |   |   |   |   |   |       |   |    |       |       |   |   |   |   |   |   |   |       |   |    |       |       |   |   |   |   |   |   |   |       |   |    |       |       |       |   |   |   |   |   |   |       |   |    |       |       |       |   |   |   |   |   |   |       |   |    |      |       |       |   |   |   |   |   |   |       |   |    |      |       |       |   |   |   |   |   |   |       |   |    |      |       |       |   |   |   |   |   |   |       |   |    |      |       |       |   |   |   |   |   |   |       |   |    |   |   |       |       |   |   |   |   |   |       |   |    |   |   |       |       |   |   |   |   |   |       |   |    |   |   |       |       |   |   |   |   |   |       |   |    |   |   |       |       |   |   |   |   |   |       |   |    |   |   |   |       |   |   |   |   |   |       |   |    |   |   |   |       |   |   |   |   |   |       |   |    |   |   |   |       |       |   |   |   |   |       |   |    |   |   |   |       |       |   |   |   |   |       |   |    |   |   |   |   |       |   |   |   |   |       |   |     |   |   |   |   |       |   |   |   |   |       |   |     |   |   |   |   |       |   |   |   |   |       |   |     |   |   |   |   |   |   |   |   |       |       |   |     |   |   |   |   |   |   |   |   |       |       |   |     |   |   |   |   |   |   |   |   |       |       |   |     |   |   |   |   |   |   |   |   |   |       |   |     |   |   |   |   |   |   |   |   |   |       |   |
| 66  | 70,0  | 182,0   | 253,0 | -      | -     | -           | - | -    | -     | 302,0 | -    |      |  |  |  |  |  |  |  |  |  |  |      |             |  |  |  |  |  |  |  |  |  |  |  |  |     |     |     |     |     |     |  |  |  |  |  |   |   |   |   |   |   |   |   |   |   |   |   |    |   |        |   |   |   |   |   |   |   |   |   |    |   |        |   |   |   |   |   |   |   |   |   |    |       |        |   |   |   |   |   |   |   |       |   |    |       |       |   |   |   |   |   |   |   |       |   |    |       |       |   |   |   |   |   |   |   |       |   |    |       |       |   |   |   |   |   |   |   |       |   |    |       |       |   |   |   |   |   |   |   |       |   |    |       |       |   |   |   |   |   |   |   |       |   |    |       |       |       |   |   |   |   |   |   |       |   |    |       |       |       |   |   |   |   |   |   |       |   |    |      |       |       |   |   |   |   |   |   |       |   |    |      |       |       |   |   |   |   |   |   |       |   |    |      |       |       |   |   |   |   |   |   |       |   |    |      |       |       |   |   |   |   |   |   |       |   |    |   |   |       |       |   |   |   |   |   |       |   |    |   |   |       |       |   |   |   |   |   |       |   |    |   |   |       |       |   |   |   |   |   |       |   |    |   |   |       |       |   |   |   |   |   |       |   |    |   |   |   |       |   |   |   |   |   |       |   |    |   |   |   |       |   |   |   |   |   |       |   |    |   |   |   |       |       |   |   |   |   |       |   |    |   |   |   |       |       |   |   |   |   |       |   |    |   |   |   |   |       |   |   |   |   |       |   |     |   |   |   |   |       |   |   |   |   |       |   |     |   |   |   |   |       |   |   |   |   |       |   |     |   |   |   |   |   |   |   |   |       |       |   |     |   |   |   |   |   |   |   |   |       |       |   |     |   |   |   |   |   |   |   |   |       |       |   |     |   |   |   |   |   |   |   |   |   |       |   |     |   |   |   |   |   |   |   |   |   |       |   |
| 69  | -     | -       | 234,5 | 286,0  | -     | -           | - | -    | -     | 284,0 | -    |      |  |  |  |  |  |  |  |  |  |  |      |             |  |  |  |  |  |  |  |  |  |  |  |  |     |     |     |     |     |     |  |  |  |  |  |   |   |   |   |   |   |   |   |   |   |   |   |    |   |        |   |   |   |   |   |   |   |   |   |    |   |        |   |   |   |   |   |   |   |   |   |    |       |        |   |   |   |   |   |   |   |       |   |    |       |       |   |   |   |   |   |   |   |       |   |    |       |       |   |   |   |   |   |   |   |       |   |    |       |       |   |   |   |   |   |   |   |       |   |    |       |       |   |   |   |   |   |   |   |       |   |    |       |       |   |   |   |   |   |   |   |       |   |    |       |       |       |   |   |   |   |   |   |       |   |    |       |       |       |   |   |   |   |   |   |       |   |    |      |       |       |   |   |   |   |   |   |       |   |    |      |       |       |   |   |   |   |   |   |       |   |    |      |       |       |   |   |   |   |   |   |       |   |    |      |       |       |   |   |   |   |   |   |       |   |    |   |   |       |       |   |   |   |   |   |       |   |    |   |   |       |       |   |   |   |   |   |       |   |    |   |   |       |       |   |   |   |   |   |       |   |    |   |   |       |       |   |   |   |   |   |       |   |    |   |   |   |       |   |   |   |   |   |       |   |    |   |   |   |       |   |   |   |   |   |       |   |    |   |   |   |       |       |   |   |   |   |       |   |    |   |   |   |       |       |   |   |   |   |       |   |    |   |   |   |   |       |   |   |   |   |       |   |     |   |   |   |   |       |   |   |   |   |       |   |     |   |   |   |   |       |   |   |   |   |       |   |     |   |   |   |   |   |   |   |   |       |       |   |     |   |   |   |   |   |   |   |   |       |       |   |     |   |   |   |   |   |   |   |   |       |       |   |     |   |   |   |   |   |   |   |   |   |       |   |     |   |   |   |   |   |   |   |   |   |       |   |
| 70  | -     | -       | 229,0 | 282,0  | -     | -           | - | -    | -     | 278,0 | -    |      |  |  |  |  |  |  |  |  |  |  |      |             |  |  |  |  |  |  |  |  |  |  |  |  |     |     |     |     |     |     |  |  |  |  |  |   |   |   |   |   |   |   |   |   |   |   |   |    |   |        |   |   |   |   |   |   |   |   |   |    |   |        |   |   |   |   |   |   |   |   |   |    |       |        |   |   |   |   |   |   |   |       |   |    |       |       |   |   |   |   |   |   |   |       |   |    |       |       |   |   |   |   |   |   |   |       |   |    |       |       |   |   |   |   |   |   |   |       |   |    |       |       |   |   |   |   |   |   |   |       |   |    |       |       |   |   |   |   |   |   |   |       |   |    |       |       |       |   |   |   |   |   |   |       |   |    |       |       |       |   |   |   |   |   |   |       |   |    |      |       |       |   |   |   |   |   |   |       |   |    |      |       |       |   |   |   |   |   |   |       |   |    |      |       |       |   |   |   |   |   |   |       |   |    |      |       |       |   |   |   |   |   |   |       |   |    |   |   |       |       |   |   |   |   |   |       |   |    |   |   |       |       |   |   |   |   |   |       |   |    |   |   |       |       |   |   |   |   |   |       |   |    |   |   |       |       |   |   |   |   |   |       |   |    |   |   |   |       |   |   |   |   |   |       |   |    |   |   |   |       |   |   |   |   |   |       |   |    |   |   |   |       |       |   |   |   |   |       |   |    |   |   |   |       |       |   |   |   |   |       |   |    |   |   |   |   |       |   |   |   |   |       |   |     |   |   |   |   |       |   |   |   |   |       |   |     |   |   |   |   |       |   |   |   |   |       |   |     |   |   |   |   |   |   |   |   |       |       |   |     |   |   |   |   |   |   |   |   |       |       |   |     |   |   |   |   |   |   |   |   |       |       |   |     |   |   |   |   |   |   |   |   |   |       |   |     |   |   |   |   |   |   |   |   |   |       |   |
| 74  | -     | -       | 208,0 | 264,0  | -     | -           | - | -    | -     | 257,0 | -    |      |  |  |  |  |  |  |  |  |  |  |      |             |  |  |  |  |  |  |  |  |  |  |  |  |     |     |     |     |     |     |  |  |  |  |  |   |   |   |   |   |   |   |   |   |   |   |   |    |   |        |   |   |   |   |   |   |   |   |   |    |   |        |   |   |   |   |   |   |   |   |   |    |       |        |   |   |   |   |   |   |   |       |   |    |       |       |   |   |   |   |   |   |   |       |   |    |       |       |   |   |   |   |   |   |   |       |   |    |       |       |   |   |   |   |   |   |   |       |   |    |       |       |   |   |   |   |   |   |   |       |   |    |       |       |   |   |   |   |   |   |   |       |   |    |       |       |       |   |   |   |   |   |   |       |   |    |       |       |       |   |   |   |   |   |   |       |   |    |      |       |       |   |   |   |   |   |   |       |   |    |      |       |       |   |   |   |   |   |   |       |   |    |      |       |       |   |   |   |   |   |   |       |   |    |      |       |       |   |   |   |   |   |   |       |   |    |   |   |       |       |   |   |   |   |   |       |   |    |   |   |       |       |   |   |   |   |   |       |   |    |   |   |       |       |   |   |   |   |   |       |   |    |   |   |       |       |   |   |   |   |   |       |   |    |   |   |   |       |   |   |   |   |   |       |   |    |   |   |   |       |   |   |   |   |   |       |   |    |   |   |   |       |       |   |   |   |   |       |   |    |   |   |   |       |       |   |   |   |   |       |   |    |   |   |   |   |       |   |   |   |   |       |   |     |   |   |   |   |       |   |   |   |   |       |   |     |   |   |   |   |       |   |   |   |   |       |   |     |   |   |   |   |   |   |   |   |       |       |   |     |   |   |   |   |   |   |   |   |       |       |   |     |   |   |   |   |   |   |   |   |       |       |   |     |   |   |   |   |   |   |   |   |   |       |   |     |   |   |   |   |   |   |   |   |   |       |   |
| 76  | -     | -       | 199,0 | 252,0  | -     | -           | - | -    | -     | 248,0 | -    |      |  |  |  |  |  |  |  |  |  |  |      |             |  |  |  |  |  |  |  |  |  |  |  |  |     |     |     |     |     |     |  |  |  |  |  |   |   |   |   |   |   |   |   |   |   |   |   |    |   |        |   |   |   |   |   |   |   |   |   |    |   |        |   |   |   |   |   |   |   |   |   |    |       |        |   |   |   |   |   |   |   |       |   |    |       |       |   |   |   |   |   |   |   |       |   |    |       |       |   |   |   |   |   |   |   |       |   |    |       |       |   |   |   |   |   |   |   |       |   |    |       |       |   |   |   |   |   |   |   |       |   |    |       |       |   |   |   |   |   |   |   |       |   |    |       |       |       |   |   |   |   |   |   |       |   |    |       |       |       |   |   |   |   |   |   |       |   |    |      |       |       |   |   |   |   |   |   |       |   |    |      |       |       |   |   |   |   |   |   |       |   |    |      |       |       |   |   |   |   |   |   |       |   |    |      |       |       |   |   |   |   |   |   |       |   |    |   |   |       |       |   |   |   |   |   |       |   |    |   |   |       |       |   |   |   |   |   |       |   |    |   |   |       |       |   |   |   |   |   |       |   |    |   |   |       |       |   |   |   |   |   |       |   |    |   |   |   |       |   |   |   |   |   |       |   |    |   |   |   |       |   |   |   |   |   |       |   |    |   |   |   |       |       |   |   |   |   |       |   |    |   |   |   |       |       |   |   |   |   |       |   |    |   |   |   |   |       |   |   |   |   |       |   |     |   |   |   |   |       |   |   |   |   |       |   |     |   |   |   |   |       |   |   |   |   |       |   |     |   |   |   |   |   |   |   |   |       |       |   |     |   |   |   |   |   |   |   |   |       |       |   |     |   |   |   |   |   |   |   |   |       |       |   |     |   |   |   |   |   |   |   |   |   |       |   |     |   |   |   |   |   |   |   |   |   |       |   |
| 78  | -     | -       | -     | 240,0  | -     | -           | - | -    | -     | 239,0 | -    |      |  |  |  |  |  |  |  |  |  |  |      |             |  |  |  |  |  |  |  |  |  |  |  |  |     |     |     |     |     |     |  |  |  |  |  |   |   |   |   |   |   |   |   |   |   |   |   |    |   |        |   |   |   |   |   |   |   |   |   |    |   |        |   |   |   |   |   |   |   |   |   |    |       |        |   |   |   |   |   |   |   |       |   |    |       |       |   |   |   |   |   |   |   |       |   |    |       |       |   |   |   |   |   |   |   |       |   |    |       |       |   |   |   |   |   |   |   |       |   |    |       |       |   |   |   |   |   |   |   |       |   |    |       |       |   |   |   |   |   |   |   |       |   |    |       |       |       |   |   |   |   |   |   |       |   |    |       |       |       |   |   |   |   |   |   |       |   |    |      |       |       |   |   |   |   |   |   |       |   |    |      |       |       |   |   |   |   |   |   |       |   |    |      |       |       |   |   |   |   |   |   |       |   |    |      |       |       |   |   |   |   |   |   |       |   |    |   |   |       |       |   |   |   |   |   |       |   |    |   |   |       |       |   |   |   |   |   |       |   |    |   |   |       |       |   |   |   |   |   |       |   |    |   |   |       |       |   |   |   |   |   |       |   |    |   |   |   |       |   |   |   |   |   |       |   |    |   |   |   |       |   |   |   |   |   |       |   |    |   |   |   |       |       |   |   |   |   |       |   |    |   |   |   |       |       |   |   |   |   |       |   |    |   |   |   |   |       |   |   |   |   |       |   |     |   |   |   |   |       |   |   |   |   |       |   |     |   |   |   |   |       |   |   |   |   |       |   |     |   |   |   |   |   |   |   |   |       |       |   |     |   |   |   |   |   |   |   |   |       |       |   |     |   |   |   |   |   |   |   |   |       |       |   |     |   |   |   |   |   |   |   |   |   |       |   |     |   |   |   |   |   |   |   |   |   |       |   |
| 82  | -     | -       | -     | 218,0  | -     | -           | - | -    | -     | 217,0 | -    |      |  |  |  |  |  |  |  |  |  |  |      |             |  |  |  |  |  |  |  |  |  |  |  |  |     |     |     |     |     |     |  |  |  |  |  |   |   |   |   |   |   |   |   |   |   |   |   |    |   |        |   |   |   |   |   |   |   |   |   |    |   |        |   |   |   |   |   |   |   |   |   |    |       |        |   |   |   |   |   |   |   |       |   |    |       |       |   |   |   |   |   |   |   |       |   |    |       |       |   |   |   |   |   |   |   |       |   |    |       |       |   |   |   |   |   |   |   |       |   |    |       |       |   |   |   |   |   |   |   |       |   |    |       |       |   |   |   |   |   |   |   |       |   |    |       |       |       |   |   |   |   |   |   |       |   |    |       |       |       |   |   |   |   |   |   |       |   |    |      |       |       |   |   |   |   |   |   |       |   |    |      |       |       |   |   |   |   |   |   |       |   |    |      |       |       |   |   |   |   |   |   |       |   |    |      |       |       |   |   |   |   |   |   |       |   |    |   |   |       |       |   |   |   |   |   |       |   |    |   |   |       |       |   |   |   |   |   |       |   |    |   |   |       |       |   |   |   |   |   |       |   |    |   |   |       |       |   |   |   |   |   |       |   |    |   |   |   |       |   |   |   |   |   |       |   |    |   |   |   |       |   |   |   |   |   |       |   |    |   |   |   |       |       |   |   |   |   |       |   |    |   |   |   |       |       |   |   |   |   |       |   |    |   |   |   |   |       |   |   |   |   |       |   |     |   |   |   |   |       |   |   |   |   |       |   |     |   |   |   |   |       |   |   |   |   |       |   |     |   |   |   |   |   |   |   |   |       |       |   |     |   |   |   |   |   |   |   |   |       |       |   |     |   |   |   |   |   |   |   |   |       |       |   |     |   |   |   |   |   |   |   |   |   |       |   |     |   |   |   |   |   |   |   |   |   |       |   |
| 86  | -     | -       | -     | 199,0  | 198,0 | -           | - | -    | -     | 196,0 | -    |      |  |  |  |  |  |  |  |  |  |  |      |             |  |  |  |  |  |  |  |  |  |  |  |  |     |     |     |     |     |     |  |  |  |  |  |   |   |   |   |   |   |   |   |   |   |   |   |    |   |        |   |   |   |   |   |   |   |   |   |    |   |        |   |   |   |   |   |   |   |   |   |    |       |        |   |   |   |   |   |   |   |       |   |    |       |       |   |   |   |   |   |   |   |       |   |    |       |       |   |   |   |   |   |   |   |       |   |    |       |       |   |   |   |   |   |   |   |       |   |    |       |       |   |   |   |   |   |   |   |       |   |    |       |       |   |   |   |   |   |   |   |       |   |    |       |       |       |   |   |   |   |   |   |       |   |    |       |       |       |   |   |   |   |   |   |       |   |    |      |       |       |   |   |   |   |   |   |       |   |    |      |       |       |   |   |   |   |   |   |       |   |    |      |       |       |   |   |   |   |   |   |       |   |    |      |       |       |   |   |   |   |   |   |       |   |    |   |   |       |       |   |   |   |   |   |       |   |    |   |   |       |       |   |   |   |   |   |       |   |    |   |   |       |       |   |   |   |   |   |       |   |    |   |   |       |       |   |   |   |   |   |       |   |    |   |   |   |       |   |   |   |   |   |       |   |    |   |   |   |       |   |   |   |   |   |       |   |    |   |   |   |       |       |   |   |   |   |       |   |    |   |   |   |       |       |   |   |   |   |       |   |    |   |   |   |   |       |   |   |   |   |       |   |     |   |   |   |   |       |   |   |   |   |       |   |     |   |   |   |   |       |   |   |   |   |       |   |     |   |   |   |   |   |   |   |   |       |       |   |     |   |   |   |   |   |   |   |   |       |       |   |     |   |   |   |   |   |   |   |   |       |       |   |     |   |   |   |   |   |   |   |   |   |       |   |     |   |   |   |   |   |   |   |   |   |       |   |
| 90  | -     | -       | -     | -      | 186,0 | -           | - | -    | -     | 177,0 | -    |      |  |  |  |  |  |  |  |  |  |  |      |             |  |  |  |  |  |  |  |  |  |  |  |  |     |     |     |     |     |     |  |  |  |  |  |   |   |   |   |   |   |   |   |   |   |   |   |    |   |        |   |   |   |   |   |   |   |   |   |    |   |        |   |   |   |   |   |   |   |   |   |    |       |        |   |   |   |   |   |   |   |       |   |    |       |       |   |   |   |   |   |   |   |       |   |    |       |       |   |   |   |   |   |   |   |       |   |    |       |       |   |   |   |   |   |   |   |       |   |    |       |       |   |   |   |   |   |   |   |       |   |    |       |       |   |   |   |   |   |   |   |       |   |    |       |       |       |   |   |   |   |   |   |       |   |    |       |       |       |   |   |   |   |   |   |       |   |    |      |       |       |   |   |   |   |   |   |       |   |    |      |       |       |   |   |   |   |   |   |       |   |    |      |       |       |   |   |   |   |   |   |       |   |    |      |       |       |   |   |   |   |   |   |       |   |    |   |   |       |       |   |   |   |   |   |       |   |    |   |   |       |       |   |   |   |   |   |       |   |    |   |   |       |       |   |   |   |   |   |       |   |    |   |   |       |       |   |   |   |   |   |       |   |    |   |   |   |       |   |   |   |   |   |       |   |    |   |   |   |       |   |   |   |   |   |       |   |    |   |   |   |       |       |   |   |   |   |       |   |    |   |   |   |       |       |   |   |   |   |       |   |    |   |   |   |   |       |   |   |   |   |       |   |     |   |   |   |   |       |   |   |   |   |       |   |     |   |   |   |   |       |   |   |   |   |       |   |     |   |   |   |   |   |   |   |   |       |       |   |     |   |   |   |   |   |   |   |   |       |       |   |     |   |   |   |   |   |   |   |   |       |       |   |     |   |   |   |   |   |   |   |   |   |       |   |     |   |   |   |   |   |   |   |   |   |       |   |
| 94  | -     | -       | -     | -      | 176,0 | -           | - | -    | -     | 158,0 | -    |      |  |  |  |  |  |  |  |  |  |  |      |             |  |  |  |  |  |  |  |  |  |  |  |  |     |     |     |     |     |     |  |  |  |  |  |   |   |   |   |   |   |   |   |   |   |   |   |    |   |        |   |   |   |   |   |   |   |   |   |    |   |        |   |   |   |   |   |   |   |   |   |    |       |        |   |   |   |   |   |   |   |       |   |    |       |       |   |   |   |   |   |   |   |       |   |    |       |       |   |   |   |   |   |   |   |       |   |    |       |       |   |   |   |   |   |   |   |       |   |    |       |       |   |   |   |   |   |   |   |       |   |    |       |       |   |   |   |   |   |   |   |       |   |    |       |       |       |   |   |   |   |   |   |       |   |    |       |       |       |   |   |   |   |   |   |       |   |    |      |       |       |   |   |   |   |   |   |       |   |    |      |       |       |   |   |   |   |   |   |       |   |    |      |       |       |   |   |   |   |   |   |       |   |    |      |       |       |   |   |   |   |   |   |       |   |    |   |   |       |       |   |   |   |   |   |       |   |    |   |   |       |       |   |   |   |   |   |       |   |    |   |   |       |       |   |   |   |   |   |       |   |    |   |   |       |       |   |   |   |   |   |       |   |    |   |   |   |       |   |   |   |   |   |       |   |    |   |   |   |       |   |   |   |   |   |       |   |    |   |   |   |       |       |   |   |   |   |       |   |    |   |   |   |       |       |   |   |   |   |       |   |    |   |   |   |   |       |   |   |   |   |       |   |     |   |   |   |   |       |   |   |   |   |       |   |     |   |   |   |   |       |   |   |   |   |       |   |     |   |   |   |   |   |   |   |   |       |       |   |     |   |   |   |   |   |   |   |   |       |       |   |     |   |   |   |   |   |   |   |   |       |       |   |     |   |   |   |   |   |   |   |   |   |       |   |     |   |   |   |   |   |   |   |   |   |       |   |
| 95  | -     | -       | -     | -      | 174,0 | -           | - | -    | -     | 153,7 | -    |      |  |  |  |  |  |  |  |  |  |  |      |             |  |  |  |  |  |  |  |  |  |  |  |  |     |     |     |     |     |     |  |  |  |  |  |   |   |   |   |   |   |   |   |   |   |   |   |    |   |        |   |   |   |   |   |   |   |   |   |    |   |        |   |   |   |   |   |   |   |   |   |    |       |        |   |   |   |   |   |   |   |       |   |    |       |       |   |   |   |   |   |   |   |       |   |    |       |       |   |   |   |   |   |   |   |       |   |    |       |       |   |   |   |   |   |   |   |       |   |    |       |       |   |   |   |   |   |   |   |       |   |    |       |       |   |   |   |   |   |   |   |       |   |    |       |       |       |   |   |   |   |   |   |       |   |    |       |       |       |   |   |   |   |   |   |       |   |    |      |       |       |   |   |   |   |   |   |       |   |    |      |       |       |   |   |   |   |   |   |       |   |    |      |       |       |   |   |   |   |   |   |       |   |    |      |       |       |   |   |   |   |   |   |       |   |    |   |   |       |       |   |   |   |   |   |       |   |    |   |   |       |       |   |   |   |   |   |       |   |    |   |   |       |       |   |   |   |   |   |       |   |    |   |   |       |       |   |   |   |   |   |       |   |    |   |   |   |       |   |   |   |   |   |       |   |    |   |   |   |       |   |   |   |   |   |       |   |    |   |   |   |       |       |   |   |   |   |       |   |    |   |   |   |       |       |   |   |   |   |       |   |    |   |   |   |   |       |   |   |   |   |       |   |     |   |   |   |   |       |   |   |   |   |       |   |     |   |   |   |   |       |   |   |   |   |       |   |     |   |   |   |   |   |   |   |   |       |       |   |     |   |   |   |   |   |   |   |   |       |       |   |     |   |   |   |   |   |   |   |   |       |       |   |     |   |   |   |   |   |   |   |   |   |       |   |     |   |   |   |   |   |   |   |   |   |       |   |
| 98  | -     | -       | -     | -      | -     | -           | - | -    | -     | 141,0 | -    |      |  |  |  |  |  |  |  |  |  |  |      |             |  |  |  |  |  |  |  |  |  |  |  |  |     |     |     |     |     |     |  |  |  |  |  |   |   |   |   |   |   |   |   |   |   |   |   |    |   |        |   |   |   |   |   |   |   |   |   |    |   |        |   |   |   |   |   |   |   |   |   |    |       |        |   |   |   |   |   |   |   |       |   |    |       |       |   |   |   |   |   |   |   |       |   |    |       |       |   |   |   |   |   |   |   |       |   |    |       |       |   |   |   |   |   |   |   |       |   |    |       |       |   |   |   |   |   |   |   |       |   |    |       |       |   |   |   |   |   |   |   |       |   |    |       |       |       |   |   |   |   |   |   |       |   |    |       |       |       |   |   |   |   |   |   |       |   |    |      |       |       |   |   |   |   |   |   |       |   |    |      |       |       |   |   |   |   |   |   |       |   |    |      |       |       |   |   |   |   |   |   |       |   |    |      |       |       |   |   |   |   |   |   |       |   |    |   |   |       |       |   |   |   |   |   |       |   |    |   |   |       |       |   |   |   |   |   |       |   |    |   |   |       |       |   |   |   |   |   |       |   |    |   |   |       |       |   |   |   |   |   |       |   |    |   |   |   |       |   |   |   |   |   |       |   |    |   |   |   |       |   |   |   |   |   |       |   |    |   |   |   |       |       |   |   |   |   |       |   |    |   |   |   |       |       |   |   |   |   |       |   |    |   |   |   |   |       |   |   |   |   |       |   |     |   |   |   |   |       |   |   |   |   |       |   |     |   |   |   |   |       |   |   |   |   |       |   |     |   |   |   |   |   |   |   |   |       |       |   |     |   |   |   |   |   |   |   |   |       |       |   |     |   |   |   |   |   |   |   |   |       |       |   |     |   |   |   |   |   |   |   |   |   |       |   |     |   |   |   |   |   |   |   |   |   |       |   |
| 99  | -     | -       | -     | -      | -     | -           | - | -    | 139,0 | 137,7 | -    |      |  |  |  |  |  |  |  |  |  |  |      |             |  |  |  |  |  |  |  |  |  |  |  |  |     |     |     |     |     |     |  |  |  |  |  |   |   |   |   |   |   |   |   |   |   |   |   |    |   |        |   |   |   |   |   |   |   |   |   |    |   |        |   |   |   |   |   |   |   |   |   |    |       |        |   |   |   |   |   |   |   |       |   |    |       |       |   |   |   |   |   |   |   |       |   |    |       |       |   |   |   |   |   |   |   |       |   |    |       |       |   |   |   |   |   |   |   |       |   |    |       |       |   |   |   |   |   |   |   |       |   |    |       |       |   |   |   |   |   |   |   |       |   |    |       |       |       |   |   |   |   |   |   |       |   |    |       |       |       |   |   |   |   |   |   |       |   |    |      |       |       |   |   |   |   |   |   |       |   |    |      |       |       |   |   |   |   |   |   |       |   |    |      |       |       |   |   |   |   |   |   |       |   |    |      |       |       |   |   |   |   |   |   |       |   |    |   |   |       |       |   |   |   |   |   |       |   |    |   |   |       |       |   |   |   |   |   |       |   |    |   |   |       |       |   |   |   |   |   |       |   |    |   |   |       |       |   |   |   |   |   |       |   |    |   |   |   |       |   |   |   |   |   |       |   |    |   |   |   |       |   |   |   |   |   |       |   |    |   |   |   |       |       |   |   |   |   |       |   |    |   |   |   |       |       |   |   |   |   |       |   |    |   |   |   |   |       |   |   |   |   |       |   |     |   |   |   |   |       |   |   |   |   |       |   |     |   |   |   |   |       |   |   |   |   |       |   |     |   |   |   |   |   |   |   |   |       |       |   |     |   |   |   |   |   |   |   |   |       |       |   |     |   |   |   |   |   |   |   |   |       |       |   |     |   |   |   |   |   |   |   |   |   |       |   |     |   |   |   |   |   |   |   |   |   |       |   |
| 102   | -     | -       | -     | -      | -     | -           | - | -    | 134,0 | 131,0 | -    |      |  |  |  |  |  |  |  |  |  |  |      |             |  |  |  |  |  |  |  |  |  |  |  |  |     |     |     |     |     |     |  |  |  |  |  |   |   |   |   |   |   |   |   |   |   |   |   |    |   |        |   |   |   |   |   |   |   |   |   |    |   |        |   |   |   |   |   |   |   |   |   |    |       |        |   |   |   |   |   |   |   |       |   |    |       |       |   |   |   |   |   |   |   |       |   |    |       |       |   |   |   |   |   |   |   |       |   |    |       |       |   |   |   |   |   |   |   |       |   |    |       |       |   |   |   |   |   |   |   |       |   |    |       |       |   |   |   |   |   |   |   |       |   |    |       |       |       |   |   |   |   |   |   |       |   |    |       |       |       |   |   |   |   |   |   |       |   |    |      |       |       |   |   |   |   |   |   |       |   |    |      |       |       |   |   |   |   |   |   |       |   |    |      |       |       |   |   |   |   |   |   |       |   |    |      |       |       |   |   |   |   |   |   |       |   |    |   |   |       |       |   |   |   |   |   |       |   |    |   |   |       |       |   |   |   |   |   |       |   |    |   |   |       |       |   |   |   |   |   |       |   |    |   |   |       |       |   |   |   |   |   |       |   |    |   |   |   |       |   |   |   |   |   |       |   |    |   |   |   |       |   |   |   |   |   |       |   |    |   |   |   |       |       |   |   |   |   |       |   |    |   |   |   |       |       |   |   |   |   |       |   |    |   |   |   |   |       |   |   |   |   |       |   |     |   |   |   |   |       |   |   |   |   |       |   |     |   |   |   |   |       |   |   |   |   |       |   |     |   |   |   |   |   |   |   |   |       |       |   |     |   |   |   |   |   |   |   |   |       |       |   |     |   |   |   |   |   |   |   |   |       |       |   |     |   |   |   |   |   |   |   |   |   |       |   |     |   |   |   |   |   |   |   |   |   |       |   |
| 103   | -     | -       | -     | -      | -     | -           | - | -    | 132,0 | 127,7 | -    |      |  |  |  |  |  |  |  |  |  |  |      |             |  |  |  |  |  |  |  |  |  |  |  |  |     |     |     |     |     |     |  |  |  |  |  |   |   |   |   |   |   |   |   |   |   |   |   |    |   |        |   |   |   |   |   |   |   |   |   |    |   |        |   |   |   |   |   |   |   |   |   |    |       |        |   |   |   |   |   |   |   |       |   |    |       |       |   |   |   |   |   |   |   |       |   |    |       |       |   |   |   |   |   |   |   |       |   |    |       |       |   |   |   |   |   |   |   |       |   |    |       |       |   |   |   |   |   |   |   |       |   |    |       |       |   |   |   |   |   |   |   |       |   |    |       |       |       |   |   |   |   |   |   |       |   |    |       |       |       |   |   |   |   |   |   |       |   |    |      |       |       |   |   |   |   |   |   |       |   |    |      |       |       |   |   |   |   |   |   |       |   |    |      |       |       |   |   |   |   |   |   |       |   |    |      |       |       |   |   |   |   |   |   |       |   |    |   |   |       |       |   |   |   |   |   |       |   |    |   |   |       |       |   |   |   |   |   |       |   |    |   |   |       |       |   |   |   |   |   |       |   |    |   |   |       |       |   |   |   |   |   |       |   |    |   |   |   |       |   |   |   |   |   |       |   |    |   |   |   |       |   |   |   |   |   |       |   |    |   |   |   |       |       |   |   |   |   |       |   |    |   |   |   |       |       |   |   |   |   |       |   |    |   |   |   |   |       |   |   |   |   |       |   |     |   |   |   |   |       |   |   |   |   |       |   |     |   |   |   |   |       |   |   |   |   |       |   |     |   |   |   |   |   |   |   |   |       |       |   |     |   |   |   |   |   |   |   |   |       |       |   |     |   |   |   |   |   |   |   |   |       |       |   |     |   |   |   |   |   |   |   |   |   |       |   |     |   |   |   |   |   |   |   |   |   |       |   |
| 106   | -     | -       | -     | -      | -     | -           | - | -    | -     | 118,0 | -    |      |  |  |  |  |  |  |  |  |  |  |      |             |  |  |  |  |  |  |  |  |  |  |  |  |     |     |     |     |     |     |  |  |  |  |  |   |   |   |   |   |   |   |   |   |   |   |   |    |   |        |   |   |   |   |   |   |   |   |   |    |   |        |   |   |   |   |   |   |   |   |   |    |       |        |   |   |   |   |   |   |   |       |   |    |       |       |   |   |   |   |   |   |   |       |   |    |       |       |   |   |   |   |   |   |   |       |   |    |       |       |   |   |   |   |   |   |   |       |   |    |       |       |   |   |   |   |   |   |   |       |   |    |       |       |   |   |   |   |   |   |   |       |   |    |       |       |       |   |   |   |   |   |   |       |   |    |       |       |       |   |   |   |   |   |   |       |   |    |      |       |       |   |   |   |   |   |   |       |   |    |      |       |       |   |   |   |   |   |   |       |   |    |      |       |       |   |   |   |   |   |   |       |   |    |      |       |       |   |   |   |   |   |   |       |   |    |   |   |       |       |   |   |   |   |   |       |   |    |   |   |       |       |   |   |   |   |   |       |   |    |   |   |       |       |   |   |   |   |   |       |   |    |   |   |       |       |   |   |   |   |   |       |   |    |   |   |   |       |   |   |   |   |   |       |   |    |   |   |   |       |   |   |   |   |   |       |   |    |   |   |   |       |       |   |   |   |   |       |   |    |   |   |   |       |       |   |   |   |   |       |   |    |   |   |   |   |       |   |   |   |   |       |   |     |   |   |   |   |       |   |   |   |   |       |   |     |   |   |   |   |       |   |   |   |   |       |   |     |   |   |   |   |   |   |   |   |       |       |   |     |   |   |   |   |   |   |   |   |       |       |   |     |   |   |   |   |   |   |   |   |       |       |   |     |   |   |   |   |   |   |   |   |   |       |   |     |   |   |   |   |   |   |   |   |   |       |   |
| 110   | -     | -       | -     | -      | -     | -           | - | -    | -     | 103,0 | -    |      |  |  |  |  |  |  |  |  |  |  |      |             |  |  |  |  |  |  |  |  |  |  |  |  |     |     |     |     |     |     |  |  |  |  |  |   |   |   |   |   |   |   |   |   |   |   |   |    |   |        |   |   |   |   |   |   |   |   |   |    |   |        |   |   |   |   |   |   |   |   |   |    |       |        |   |   |   |   |   |   |   |       |   |    |       |       |   |   |   |   |   |   |   |       |   |    |       |       |   |   |   |   |   |   |   |       |   |    |       |       |   |   |   |   |   |   |   |       |   |    |       |       |   |   |   |   |   |   |   |       |   |    |       |       |   |   |   |   |   |   |   |       |   |    |       |       |       |   |   |   |   |   |   |       |   |    |       |       |       |   |   |   |   |   |   |       |   |    |      |       |       |   |   |   |   |   |   |       |   |    |      |       |       |   |   |   |   |   |   |       |   |    |      |       |       |   |   |   |   |   |   |       |   |    |      |       |       |   |   |   |   |   |   |       |   |    |   |   |       |       |   |   |   |   |   |       |   |    |   |   |       |       |   |   |   |   |   |       |   |    |   |   |       |       |   |   |   |   |   |       |   |    |   |   |       |       |   |   |   |   |   |       |   |    |   |   |   |       |   |   |   |   |   |       |   |    |   |   |   |       |   |   |   |   |   |       |   |    |   |   |   |       |       |   |   |   |   |       |   |    |   |   |   |       |       |   |   |   |   |       |   |    |   |   |   |   |       |   |   |   |   |       |   |     |   |   |   |   |       |   |   |   |   |       |   |     |   |   |   |   |       |   |   |   |   |       |   |     |   |   |   |   |   |   |   |   |       |       |   |     |   |   |   |   |   |   |   |   |       |       |   |     |   |   |   |   |   |   |   |   |       |       |   |     |   |   |   |   |   |   |   |   |   |       |   |     |   |   |   |   |   |   |   |   |   |       |   |
| <table border="1"> <thead> <tr> <th colspan="11">SWSL</th> <th>SFSL</th> </tr> <tr> <th colspan="12">0 t - 640 t</th> </tr> <tr> <th></th> <th>85°</th> <th>85°</th> <th>75°</th> <th>65°</th> <th>55°</th> <th>45°</th> <th colspan="5"></th> </tr> <tr> <th>m</th> <th>t</th> <th>t</th> <th>t</th> <th>t</th> <th>t</th> <th>t</th> <th>t</th> <th>t</th> <th>t</th> <th>t</th> <th>t</th> </tr> </thead> <tbody> <tr><td>30</td><td>-</td><td>293,0*</td><td>-</td><td>-</td><td>-</td><td>-</td><td>-</td><td>-</td><td>-</td><td>-</td><td>-</td></tr> <tr><td>34</td><td>-</td><td>284,0*</td><td>-</td><td>-</td><td>-</td><td>-</td><td>-</td><td>-</td><td>-</td><td>-</td><td>-</td></tr> <tr><td>36</td><td>152,0</td><td>304,0</td><td>-</td><td>-</td><td>-</td><td>-</td><td>-</td><td>-</td><td>-</td><td>298,0</td><td>-</td></tr> <tr><td>38</td><td>143,0</td><td>303,0</td><td>-</td><td>-</td><td>-</td><td>-</td><td>-</td><td>-</td><td>-</td><td>298,0</td><td>-</td></tr> <tr><td>42</td><td>127,0</td><td>297,0</td><td>-</td><td>-</td><td>-</td><td>-</td><td>-</td><td>-</td><td>-</td><td>298,0</td><td>-</td></tr> <tr><td>46</td><td>113,0</td><td>292,0</td><td>-</td><td>-</td><td>-</td><td>-</td><td>-</td><td>-</td><td>-</td><td>298,0</td><td>-</td></tr> <tr><td>50</td><td>102,0</td><td>285,0</td><td>-</td><td>-</td><td>-</td><td>-</td><td>-</td><td>-</td><td>-</td><td>298,0</td><td>-</td></tr> <tr><td>54</td><td>92,0</td><td>266,0</td><td>-</td><td>-</td><td>-</td><td>-</td><td>-</td><td>-</td><td>-</td><td>295,0</td><td>-</td></tr> <tr><td>58</td><td>83,0</td><td>239,0</td><td>310,0</td><td>-</td><td>-</td><td>-</td><td>-</td><td>-</td><td>-</td><td>286,0</td><td>-</td></tr> <tr><td>62</td><td>74,5</td><td>216,0</td><td>284,0</td><td>-</td><td>-</td><td>-</td><td>-</td><td>-</td><td>-</td><td>278,0</td><td>-</td></tr> <tr><td>66</td><td>66,5</td><td>197,0</td><td>254,0</td><td>-</td><td>-</td><td>-</td><td>-</td><td>-</td><td>-</td><td>268,0</td><td>-</td></tr> <tr><td>70</td><td>59,5</td><td>180,0</td><td>229,0</td><td>-</td><td>-</td><td>-</td><td>-</td><td>-</td><td>-</td><td>260,0</td><td>-</td></tr> <tr><td>74</td><td>53,5</td><td>158,0</td><td>208,0</td><td>-</td><td>-</td><td>-</td><td>-</td><td>-</td><td>-</td><td>251,0</td><td>-</td></tr> <tr><td>76</td><td>50,5</td><td>147,0</td><td>199,0</td><td>-</td><td>-</td><td>-</td><td>-</td><td>-</td><td>-</td><td>245,5</td><td>-</td></tr> <tr><td>77</td><td>-</td><td>-</td><td>194,5</td><td>243,0</td><td>-</td><td>-</td><td>-</td><td>-</td><td>-</td><td>242,7</td><td>-</td></tr> <tr><td>78</td><td>-</td><td>-</td><td>190,0</td><td>241,0</td><td>-</td><td>-</td><td>-</td><td>-</td><td>-</td><td>240,0</td><td>-</td></tr> <tr><td>82</td><td>-</td><td>-</td><td>174,0</td><td>218,0</td><td>-</td><td>-</td><td>-</td><td>-</td><td>-</td><td>223,0</td><td>-</td></tr> <tr><td>86</td><td>-</td><td>-</td><td>160,0</td><td>198,0</td><td>-</td><td>-</td><td>-</td><td>-</td><td>-</td><td>207,0</td><td>-</td></tr> <tr><td>90</td><td>-</td><td>-</td><td>-</td><td>181,0</td><td>-</td><td>-</td><td>-</td><td>-</td><td>-</td><td>188,0</td><td>-</td></tr> <tr><td>94</td><td>-</td><td>-</td><td>-</td><td>166,0</td><td>-</td><td>-</td><td>-</td><td>-</td><td>-</td><td>171,0</td><td>-</td></tr> <tr><td>95</td><td>-</td><td>-</td><td>-</td><td>162,5</td><td>168,0</td><td>-</td><td>-</td><td>-</td><td>-</td><td>167,0</td><td>-</td></tr> <tr><td>96</td><td>-</td><td>-</td><td>-</td><td>159,0</td><td>166,0</td><td>-</td><td>-</td><td>-</td><td>-</td><td>163,0</td><td>-</td></tr> <tr><td>98</td><td>-</td><td>-</td><td>-</td><td>-</td><td>161,0</td><td>-</td><td>-</td><td>-</td><td>-</td><td>155,0</td><td>-</td></tr> <tr><td>102</td><td>-</td><td>-</td><td>-</td><td>-</td><td>152,0</td><td>-</td><td>-</td><td>-</td><td>-</td><td>139,0</td><td>-</td></tr> <tr><td>106</td><td>-</td><td>-</td><td>-</td><td>-</td><td>144,0</td><td>-</td><td>-</td><td>-</td><td>-</td><td>125,0</td><td>-</td></tr> <tr><td>110</td><td>-</td><td>-</td><td>-</td><td>-</td><td>-</td><td>-</td><td>-</td><td>-</td><td>115,0</td><td>114,0</td><td>-</td></tr> <tr><td>114</td><td>-</td><td>-</td><td>-</td><td>-</td><td>-</td><td>-</td><td>-</td><td>-</td><td>110,0</td><td>106,0</td><td>-</td></tr> <tr><td>118</td><td>-</td><td>-</td><td>-</td><td>-</td><td>-</td><td>-</td><td>-</td><td>-</td><td>-</td><td>93,0</td><td>-</td></tr> <tr><td>122</td><td>-</td><td>-</td><td>-</td><td>-</td><td>-</td><td>-</td><td>-</td><td>-</td><td>-</td><td>80,0</td><td>-</td></tr> </tbody> </table>  |       |         |       |        |       |             |   |      |       |       |      | SWSL |  |  |  |  |  |  |  |  |  |  | SFSL | 0 t - 640 t |  |  |  |  |  |  |  |  |  |  |  |  | 85° | 85° | 75° | 65° | 55° | 45° |  |  |  |  |  | m | t | t | t | t | t | t | t | t | t | t | t | 30 | - | 293,0* | - | - | - | - | - | - | - | - | - | 34 | - | 284,0* | - | - | - | - | - | - | - | - | - | 36 | 152,0 | 304,0  | - | - | - | - | - | - | - | 298,0 | - | 38 | 143,0 | 303,0 | - | - | - | - | - | - | - | 298,0 | - | 42 | 127,0 | 297,0 | - | - | - | - | - | - | - | 298,0 | - | 46 | 113,0 | 292,0 | - | - | - | - | - | - | - | 298,0 | - | 50 | 102,0 | 285,0 | - | - | - | - | - | - | - | 298,0 | - | 54 | 92,0  | 266,0 | - | - | - | - | - | - | - | 295,0 | - | 58 | 83,0  | 239,0 | 310,0 | - | - | - | - | - | - | 286,0 | - | 62 | 74,5  | 216,0 | 284,0 | - | - | - | - | - | - | 278,0 | - | 66 | 66,5 | 197,0 | 254,0 | - | - | - | - | - | - | 268,0 | - | 70 | 59,5 | 180,0 | 229,0 | - | - | - | - | - | - | 260,0 | - | 74 | 53,5 | 158,0 | 208,0 | - | - | - | - | - | - | 251,0 | - | 76 | 50,5 | 147,0 | 199,0 | - | - | - | - | - | - | 245,5 | - | 77 | - | - | 194,5 | 243,0 | - | - | - | - | - | 242,7 | - | 78 | - | - | 190,0 | 241,0 | - | - | - | - | - | 240,0 | - | 82 | - | - | 174,0 | 218,0 | - | - | - | - | - | 223,0 | - | 86 | - | - | 160,0 | 198,0 | - | - | - | - | - | 207,0 | - | 90 | - | - | - | 181,0 | - | - | - | - | - | 188,0 | - | 94 | - | - | - | 166,0 | - | - | - | - | - | 171,0 | - | 95 | - | - | - | 162,5 | 168,0 | - | - | - | - | 167,0 | - | 96 | - | - | - | 159,0 | 166,0 | - | - | - | - | 163,0 | - | 98 | - | - | - | - | 161,0 | - | - | - | - | 155,0 | - | 102 | - | - | - | - | 152,0 | - | - | - | - | 139,0 | - | 106 | - | - | - | - | 144,0 | - | - | - | - | 125,0 | - | 110 | - | - | - | - | - | - | - | - | 115,0 | 114,0 | - | 114 | - | - | - | - | - | - | - | - | 110,0 | 106,0 | - | 118 | - | - | - | - | - | - | - | - | -     | 93,0  | - | 122 | - | - | - | - | - | - | - | - | - | 80,0  | - |     |   |   |   |   |   |   |   |   |   |       |   |
| SWSL  |       |         |       |        |       |             |   |      |       |       | SFSL |      |  |  |  |  |  |  |  |  |  |  |      |             |  |  |  |  |  |  |  |  |  |  |  |  |     |     |     |     |     |     |  |  |  |  |  |   |   |   |   |   |   |   |   |   |   |   |   |    |   |        |   |   |   |   |   |   |   |   |   |    |   |        |   |   |   |   |   |   |   |   |   |    |       |        |   |   |   |   |   |   |   |       |   |    |       |       |   |   |   |   |   |   |   |       |   |    |       |       |   |   |   |   |   |   |   |       |   |    |       |       |   |   |   |   |   |   |   |       |   |    |       |       |   |   |   |   |   |   |   |       |   |    |       |       |   |   |   |   |   |   |   |       |   |    |       |       |       |   |   |   |   |   |   |       |   |    |       |       |       |   |   |   |   |   |   |       |   |    |      |       |       |   |   |   |   |   |   |       |   |    |      |       |       |   |   |   |   |   |   |       |   |    |      |       |       |   |   |   |   |   |   |       |   |    |      |       |       |   |   |   |   |   |   |       |   |    |   |   |       |       |   |   |   |   |   |       |   |    |   |   |       |       |   |   |   |   |   |       |   |    |   |   |       |       |   |   |   |   |   |       |   |    |   |   |       |       |   |   |   |   |   |       |   |    |   |   |   |       |   |   |   |   |   |       |   |    |   |   |   |       |   |   |   |   |   |       |   |    |   |   |   |       |       |   |   |   |   |       |   |    |   |   |   |       |       |   |   |   |   |       |   |    |   |   |   |   |       |   |   |   |   |       |   |     |   |   |   |   |       |   |   |   |   |       |   |     |   |   |   |   |       |   |   |   |   |       |   |     |   |   |   |   |   |   |   |   |       |       |   |     |   |   |   |   |   |   |   |   |       |       |   |     |   |   |   |   |   |   |   |   |       |       |   |     |   |   |   |   |   |   |   |   |   |       |   |     |   |   |   |   |   |   |   |   |   |       |   |
| 0 t - 640 t   |       |         |       |        |       |             |   |      |       |       |      |      |  |  |  |  |  |  |  |  |  |  |      |             |  |  |  |  |  |  |  |  |  |  |  |  |     |     |     |     |     |     |  |  |  |  |  |   |   |   |   |   |   |   |   |   |   |   |   |    |   |        |   |   |   |   |   |   |   |   |   |    |   |        |   |   |   |   |   |   |   |   |   |    |       |        |   |   |   |   |   |   |   |       |   |    |       |       |   |   |   |   |   |   |   |       |   |    |       |       |   |   |   |   |   |   |   |       |   |    |       |       |   |   |   |   |   |   |   |       |   |    |       |       |   |   |   |   |   |   |   |       |   |    |       |       |   |   |   |   |   |   |   |       |   |    |       |       |       |   |   |   |   |   |   |       |   |    |       |       |       |   |   |   |   |   |   |       |   |    |      |       |       |   |   |   |   |   |   |       |   |    |      |       |       |   |   |   |   |   |   |       |   |    |      |       |       |   |   |   |   |   |   |       |   |    |      |       |       |   |   |   |   |   |   |       |   |    |   |   |       |       |   |   |   |   |   |       |   |    |   |   |       |       |   |   |   |   |   |       |   |    |   |   |       |       |   |   |   |   |   |       |   |    |   |   |       |       |   |   |   |   |   |       |   |    |   |   |   |       |   |   |   |   |   |       |   |    |   |   |   |       |   |   |   |   |   |       |   |    |   |   |   |       |       |   |   |   |   |       |   |    |   |   |   |       |       |   |   |   |   |       |   |    |   |   |   |   |       |   |   |   |   |       |   |     |   |   |   |   |       |   |   |   |   |       |   |     |   |   |   |   |       |   |   |   |   |       |   |     |   |   |   |   |   |   |   |   |       |       |   |     |   |   |   |   |   |   |   |   |       |       |   |     |   |   |   |   |   |   |   |   |       |       |   |     |   |   |   |   |   |   |   |   |   |       |   |     |   |   |   |   |   |   |   |   |   |       |   |
|   | 85°   | 85°     | 75°   | 65°    | 55°   | 45°         |   |      |       |       |      |      |  |  |  |  |  |  |  |  |  |  |      |             |  |  |  |  |  |  |  |  |  |  |  |  |     |     |     |     |     |     |  |  |  |  |  |   |   |   |   |   |   |   |   |   |   |   |   |    |   |        |   |   |   |   |   |   |   |   |   |    |   |        |   |   |   |   |   |   |   |   |   |    |       |        |   |   |   |   |   |   |   |       |   |    |       |       |   |   |   |   |   |   |   |       |   |    |       |       |   |   |   |   |   |   |   |       |   |    |       |       |   |   |   |   |   |   |   |       |   |    |       |       |   |   |   |   |   |   |   |       |   |    |       |       |   |   |   |   |   |   |   |       |   |    |       |       |       |   |   |   |   |   |   |       |   |    |       |       |       |   |   |   |   |   |   |       |   |    |      |       |       |   |   |   |   |   |   |       |   |    |      |       |       |   |   |   |   |   |   |       |   |    |      |       |       |   |   |   |   |   |   |       |   |    |      |       |       |   |   |   |   |   |   |       |   |    |   |   |       |       |   |   |   |   |   |       |   |    |   |   |       |       |   |   |   |   |   |       |   |    |   |   |       |       |   |   |   |   |   |       |   |    |   |   |       |       |   |   |   |   |   |       |   |    |   |   |   |       |   |   |   |   |   |       |   |    |   |   |   |       |   |   |   |   |   |       |   |    |   |   |   |       |       |   |   |   |   |       |   |    |   |   |   |       |       |   |   |   |   |       |   |    |   |   |   |   |       |   |   |   |   |       |   |     |   |   |   |   |       |   |   |   |   |       |   |     |   |   |   |   |       |   |   |   |   |       |   |     |   |   |   |   |   |   |   |   |       |       |   |     |   |   |   |   |   |   |   |   |       |       |   |     |   |   |   |   |   |   |   |   |       |       |   |     |   |   |   |   |   |   |   |   |   |       |   |     |   |   |   |   |   |   |   |   |   |       |   |
| m   | t     | t       | t     | t      | t     | t           | t | t    | t     | t     | t    |      |  |  |  |  |  |  |  |  |  |  |      |             |  |  |  |  |  |  |  |  |  |  |  |  |     |     |     |     |     |     |  |  |  |  |  |   |   |   |   |   |   |   |   |   |   |   |   |    |   |        |   |   |   |   |   |   |   |   |   |    |   |        |   |   |   |   |   |   |   |   |   |    |       |        |   |   |   |   |   |   |   |       |   |    |       |       |   |   |   |   |   |   |   |       |   |    |       |       |   |   |   |   |   |   |   |       |   |    |       |       |   |   |   |   |   |   |   |       |   |    |       |       |   |   |   |   |   |   |   |       |   |    |       |       |   |   |   |   |   |   |   |       |   |    |       |       |       |   |   |   |   |   |   |       |   |    |       |       |       |   |   |   |   |   |   |       |   |    |      |       |       |   |   |   |   |   |   |       |   |    |      |       |       |   |   |   |   |   |   |       |   |    |      |       |       |   |   |   |   |   |   |       |   |    |      |       |       |   |   |   |   |   |   |       |   |    |   |   |       |       |   |   |   |   |   |       |   |    |   |   |       |       |   |   |   |   |   |       |   |    |   |   |       |       |   |   |   |   |   |       |   |    |   |   |       |       |   |   |   |   |   |       |   |    |   |   |   |       |   |   |   |   |   |       |   |    |   |   |   |       |   |   |   |   |   |       |   |    |   |   |   |       |       |   |   |   |   |       |   |    |   |   |   |       |       |   |   |   |   |       |   |    |   |   |   |   |       |   |   |   |   |       |   |     |   |   |   |   |       |   |   |   |   |       |   |     |   |   |   |   |       |   |   |   |   |       |   |     |   |   |   |   |   |   |   |   |       |       |   |     |   |   |   |   |   |   |   |   |       |       |   |     |   |   |   |   |   |   |   |   |       |       |   |     |   |   |   |   |   |   |   |   |   |       |   |     |   |   |   |   |   |   |   |   |   |       |   |
| 30  | -     | 293,0*  | -     | -      | -     | -           | - | -    | -     | -     | -    |      |  |  |  |  |  |  |  |  |  |  |      |             |  |  |  |  |  |  |  |  |  |  |  |  |     |     |     |     |     |     |  |  |  |  |  |   |   |   |   |   |   |   |   |   |   |   |   |    |   |        |   |   |   |   |   |   |   |   |   |    |   |        |   |   |   |   |   |   |   |   |   |    |       |        |   |   |   |   |   |   |   |       |   |    |       |       |   |   |   |   |   |   |   |       |   |    |       |       |   |   |   |   |   |   |   |       |   |    |       |       |   |   |   |   |   |   |   |       |   |    |       |       |   |   |   |   |   |   |   |       |   |    |       |       |   |   |   |   |   |   |   |       |   |    |       |       |       |   |   |   |   |   |   |       |   |    |       |       |       |   |   |   |   |   |   |       |   |    |      |       |       |   |   |   |   |   |   |       |   |    |      |       |       |   |   |   |   |   |   |       |   |    |      |       |       |   |   |   |   |   |   |       |   |    |      |       |       |   |   |   |   |   |   |       |   |    |   |   |       |       |   |   |   |   |   |       |   |    |   |   |       |       |   |   |   |   |   |       |   |    |   |   |       |       |   |   |   |   |   |       |   |    |   |   |       |       |   |   |   |   |   |       |   |    |   |   |   |       |   |   |   |   |   |       |   |    |   |   |   |       |   |   |   |   |   |       |   |    |   |   |   |       |       |   |   |   |   |       |   |    |   |   |   |       |       |   |   |   |   |       |   |    |   |   |   |   |       |   |   |   |   |       |   |     |   |   |   |   |       |   |   |   |   |       |   |     |   |   |   |   |       |   |   |   |   |       |   |     |   |   |   |   |   |   |   |   |       |       |   |     |   |   |   |   |   |   |   |   |       |       |   |     |   |   |   |   |   |   |   |   |       |       |   |     |   |   |   |   |   |   |   |   |   |       |   |     |   |   |   |   |   |   |   |   |   |       |   |
| 34  | -     | 284,0*  | -     | -      | -     | -           | - | -    | -     | -     | -    |      |  |  |  |  |  |  |  |  |  |  |      |             |  |  |  |  |  |  |  |  |  |  |  |  |     |     |     |     |     |     |  |  |  |  |  |   |   |   |   |   |   |   |   |   |   |   |   |    |   |        |   |   |   |   |   |   |   |   |   |    |   |        |   |   |   |   |   |   |   |   |   |    |       |        |   |   |   |   |   |   |   |       |   |    |       |       |   |   |   |   |   |   |   |       |   |    |       |       |   |   |   |   |   |   |   |       |   |    |       |       |   |   |   |   |   |   |   |       |   |    |       |       |   |   |   |   |   |   |   |       |   |    |       |       |   |   |   |   |   |   |   |       |   |    |       |       |       |   |   |   |   |   |   |       |   |    |       |       |       |   |   |   |   |   |   |       |   |    |      |       |       |   |   |   |   |   |   |       |   |    |      |       |       |   |   |   |   |   |   |       |   |    |      |       |       |   |   |   |   |   |   |       |   |    |      |       |       |   |   |   |   |   |   |       |   |    |   |   |       |       |   |   |   |   |   |       |   |    |   |   |       |       |   |   |   |   |   |       |   |    |   |   |       |       |   |   |   |   |   |       |   |    |   |   |       |       |   |   |   |   |   |       |   |    |   |   |   |       |   |   |   |   |   |       |   |    |   |   |   |       |   |   |   |   |   |       |   |    |   |   |   |       |       |   |   |   |   |       |   |    |   |   |   |       |       |   |   |   |   |       |   |    |   |   |   |   |       |   |   |   |   |       |   |     |   |   |   |   |       |   |   |   |   |       |   |     |   |   |   |   |       |   |   |   |   |       |   |     |   |   |   |   |   |   |   |   |       |       |   |     |   |   |   |   |   |   |   |   |       |       |   |     |   |   |   |   |   |   |   |   |       |       |   |     |   |   |   |   |   |   |   |   |   |       |   |     |   |   |   |   |   |   |   |   |   |       |   |
| 36  | 152,0 | 304,0   | -     | -      | -     | -           | - | -    | -     | 298,0 | -    |      |  |  |  |  |  |  |  |  |  |  |      |             |  |  |  |  |  |  |  |  |  |  |  |  |     |     |     |     |     |     |  |  |  |  |  |   |   |   |   |   |   |   |   |   |   |   |   |    |   |        |   |   |   |   |   |   |   |   |   |    |   |        |   |   |   |   |   |   |   |   |   |    |       |        |   |   |   |   |   |   |   |       |   |    |       |       |   |   |   |   |   |   |   |       |   |    |       |       |   |   |   |   |   |   |   |       |   |    |       |       |   |   |   |   |   |   |   |       |   |    |       |       |   |   |   |   |   |   |   |       |   |    |       |       |   |   |   |   |   |   |   |       |   |    |       |       |       |   |   |   |   |   |   |       |   |    |       |       |       |   |   |   |   |   |   |       |   |    |      |       |       |   |   |   |   |   |   |       |   |    |      |       |       |   |   |   |   |   |   |       |   |    |      |       |       |   |   |   |   |   |   |       |   |    |      |       |       |   |   |   |   |   |   |       |   |    |   |   |       |       |   |   |   |   |   |       |   |    |   |   |       |       |   |   |   |   |   |       |   |    |   |   |       |       |   |   |   |   |   |       |   |    |   |   |       |       |   |   |   |   |   |       |   |    |   |   |   |       |   |   |   |   |   |       |   |    |   |   |   |       |   |   |   |   |   |       |   |    |   |   |   |       |       |   |   |   |   |       |   |    |   |   |   |       |       |   |   |   |   |       |   |    |   |   |   |   |       |   |   |   |   |       |   |     |   |   |   |   |       |   |   |   |   |       |   |     |   |   |   |   |       |   |   |   |   |       |   |     |   |   |   |   |   |   |   |   |       |       |   |     |   |   |   |   |   |   |   |   |       |       |   |     |   |   |   |   |   |   |   |   |       |       |   |     |   |   |   |   |   |   |   |   |   |       |   |     |   |   |   |   |   |   |   |   |   |       |   |
| 38  | 143,0 | 303,0   | -     | -      | -     | -           | - | -    | -     | 298,0 | -    |      |  |  |  |  |  |  |  |  |  |  |      |             |  |  |  |  |  |  |  |  |  |  |  |  |     |     |     |     |     |     |  |  |  |  |  |   |   |   |   |   |   |   |   |   |   |   |   |    |   |        |   |   |   |   |   |   |   |   |   |    |   |        |   |   |   |   |   |   |   |   |   |    |       |        |   |   |   |   |   |   |   |       |   |    |       |       |   |   |   |   |   |   |   |       |   |    |       |       |   |   |   |   |   |   |   |       |   |    |       |       |   |   |   |   |   |   |   |       |   |    |       |       |   |   |   |   |   |   |   |       |   |    |       |       |   |   |   |   |   |   |   |       |   |    |       |       |       |   |   |   |   |   |   |       |   |    |       |       |       |   |   |   |   |   |   |       |   |    |      |       |       |   |   |   |   |   |   |       |   |    |      |       |       |   |   |   |   |   |   |       |   |    |      |       |       |   |   |   |   |   |   |       |   |    |      |       |       |   |   |   |   |   |   |       |   |    |   |   |       |       |   |   |   |   |   |       |   |    |   |   |       |       |   |   |   |   |   |       |   |    |   |   |       |       |   |   |   |   |   |       |   |    |   |   |       |       |   |   |   |   |   |       |   |    |   |   |   |       |   |   |   |   |   |       |   |    |   |   |   |       |   |   |   |   |   |       |   |    |   |   |   |       |       |   |   |   |   |       |   |    |   |   |   |       |       |   |   |   |   |       |   |    |   |   |   |   |       |   |   |   |   |       |   |     |   |   |   |   |       |   |   |   |   |       |   |     |   |   |   |   |       |   |   |   |   |       |   |     |   |   |   |   |   |   |   |   |       |       |   |     |   |   |   |   |   |   |   |   |       |       |   |     |   |   |   |   |   |   |   |   |       |       |   |     |   |   |   |   |   |   |   |   |   |       |   |     |   |   |   |   |   |   |   |   |   |       |   |
| 42  | 127,0 | 297,0   | -     | -      | -     | -           | - | -    | -     | 298,0 | -    |      |  |  |  |  |  |  |  |  |  |  |      |             |  |  |  |  |  |  |  |  |  |  |  |  |     |     |     |     |     |     |  |  |  |  |  |   |   |   |   |   |   |   |   |   |   |   |   |    |   |        |   |   |   |   |   |   |   |   |   |    |   |        |   |   |   |   |   |   |   |   |   |    |       |        |   |   |   |   |   |   |   |       |   |    |       |       |   |   |   |   |   |   |   |       |   |    |       |       |   |   |   |   |   |   |   |       |   |    |       |       |   |   |   |   |   |   |   |       |   |    |       |       |   |   |   |   |   |   |   |       |   |    |       |       |   |   |   |   |   |   |   |       |   |    |       |       |       |   |   |   |   |   |   |       |   |    |       |       |       |   |   |   |   |   |   |       |   |    |      |       |       |   |   |   |   |   |   |       |   |    |      |       |       |   |   |   |   |   |   |       |   |    |      |       |       |   |   |   |   |   |   |       |   |    |      |       |       |   |   |   |   |   |   |       |   |    |   |   |       |       |   |   |   |   |   |       |   |    |   |   |       |       |   |   |   |   |   |       |   |    |   |   |       |       |   |   |   |   |   |       |   |    |   |   |       |       |   |   |   |   |   |       |   |    |   |   |   |       |   |   |   |   |   |       |   |    |   |   |   |       |   |   |   |   |   |       |   |    |   |   |   |       |       |   |   |   |   |       |   |    |   |   |   |       |       |   |   |   |   |       |   |    |   |   |   |   |       |   |   |   |   |       |   |     |   |   |   |   |       |   |   |   |   |       |   |     |   |   |   |   |       |   |   |   |   |       |   |     |   |   |   |   |   |   |   |   |       |       |   |     |   |   |   |   |   |   |   |   |       |       |   |     |   |   |   |   |   |   |   |   |       |       |   |     |   |   |   |   |   |   |   |   |   |       |   |     |   |   |   |   |   |   |   |   |   |       |   |
| 46  | 113,0 | 292,0   | -     | -      | -     | -           | - | -    | -     | 298,0 | -    |      |  |  |  |  |  |  |  |  |  |  |      |             |  |  |  |  |  |  |  |  |  |  |  |  |     |     |     |     |     |     |  |  |  |  |  |   |   |   |   |   |   |   |   |   |   |   |   |    |   |        |   |   |   |   |   |   |   |   |   |    |   |        |   |   |   |   |   |   |   |   |   |    |       |        |   |   |   |   |   |   |   |       |   |    |       |       |   |   |   |   |   |   |   |       |   |    |       |       |   |   |   |   |   |   |   |       |   |    |       |       |   |   |   |   |   |   |   |       |   |    |       |       |   |   |   |   |   |   |   |       |   |    |       |       |   |   |   |   |   |   |   |       |   |    |       |       |       |   |   |   |   |   |   |       |   |    |       |       |       |   |   |   |   |   |   |       |   |    |      |       |       |   |   |   |   |   |   |       |   |    |      |       |       |   |   |   |   |   |   |       |   |    |      |       |       |   |   |   |   |   |   |       |   |    |      |       |       |   |   |   |   |   |   |       |   |    |   |   |       |       |   |   |   |   |   |       |   |    |   |   |       |       |   |   |   |   |   |       |   |    |   |   |       |       |   |   |   |   |   |       |   |    |   |   |       |       |   |   |   |   |   |       |   |    |   |   |   |       |   |   |   |   |   |       |   |    |   |   |   |       |   |   |   |   |   |       |   |    |   |   |   |       |       |   |   |   |   |       |   |    |   |   |   |       |       |   |   |   |   |       |   |    |   |   |   |   |       |   |   |   |   |       |   |     |   |   |   |   |       |   |   |   |   |       |   |     |   |   |   |   |       |   |   |   |   |       |   |     |   |   |   |   |   |   |   |   |       |       |   |     |   |   |   |   |   |   |   |   |       |       |   |     |   |   |   |   |   |   |   |   |       |       |   |     |   |   |   |   |   |   |   |   |   |       |   |     |   |   |   |   |   |   |   |   |   |       |   |
| 50  | 102,0 | 285,0   | -     | -      | -     | -           | - | -    | -     | 298,0 | -    |      |  |  |  |  |  |  |  |  |  |  |      |             |  |  |  |  |  |  |  |  |  |  |  |  |     |     |     |     |     |     |  |  |  |  |  |   |   |   |   |   |   |   |   |   |   |   |   |    |   |        |   |   |   |   |   |   |   |   |   |    |   |        |   |   |   |   |   |   |   |   |   |    |       |        |   |   |   |   |   |   |   |       |   |    |       |       |   |   |   |   |   |   |   |       |   |    |       |       |   |   |   |   |   |   |   |       |   |    |       |       |   |   |   |   |   |   |   |       |   |    |       |       |   |   |   |   |   |   |   |       |   |    |       |       |   |   |   |   |   |   |   |       |   |    |       |       |       |   |   |   |   |   |   |       |   |    |       |       |       |   |   |   |   |   |   |       |   |    |      |       |       |   |   |   |   |   |   |       |   |    |      |       |       |   |   |   |   |   |   |       |   |    |      |       |       |   |   |   |   |   |   |       |   |    |      |       |       |   |   |   |   |   |   |       |   |    |   |   |       |       |   |   |   |   |   |       |   |    |   |   |       |       |   |   |   |   |   |       |   |    |   |   |       |       |   |   |   |   |   |       |   |    |   |   |       |       |   |   |   |   |   |       |   |    |   |   |   |       |   |   |   |   |   |       |   |    |   |   |   |       |   |   |   |   |   |       |   |    |   |   |   |       |       |   |   |   |   |       |   |    |   |   |   |       |       |   |   |   |   |       |   |    |   |   |   |   |       |   |   |   |   |       |   |     |   |   |   |   |       |   |   |   |   |       |   |     |   |   |   |   |       |   |   |   |   |       |   |     |   |   |   |   |   |   |   |   |       |       |   |     |   |   |   |   |   |   |   |   |       |       |   |     |   |   |   |   |   |   |   |   |       |       |   |     |   |   |   |   |   |   |   |   |   |       |   |     |   |   |   |   |   |   |   |   |   |       |   |
| 54  | 92,0  | 266,0   | -     | -      | -     | -           | - | -    | -     | 295,0 | -    |      |  |  |  |  |  |  |  |  |  |  |      |             |  |  |  |  |  |  |  |  |  |  |  |  |     |     |     |     |     |     |  |  |  |  |  |   |   |   |   |   |   |   |   |   |   |   |   |    |   |        |   |   |   |   |   |   |   |   |   |    |   |        |   |   |   |   |   |   |   |   |   |    |       |        |   |   |   |   |   |   |   |       |   |    |       |       |   |   |   |   |   |   |   |       |   |    |       |       |   |   |   |   |   |   |   |       |   |    |       |       |   |   |   |   |   |   |   |       |   |    |       |       |   |   |   |   |   |   |   |       |   |    |       |       |   |   |   |   |   |   |   |       |   |    |       |       |       |   |   |   |   |   |   |       |   |    |       |       |       |   |   |   |   |   |   |       |   |    |      |       |       |   |   |   |   |   |   |       |   |    |      |       |       |   |   |   |   |   |   |       |   |    |      |       |       |   |   |   |   |   |   |       |   |    |      |       |       |   |   |   |   |   |   |       |   |    |   |   |       |       |   |   |   |   |   |       |   |    |   |   |       |       |   |   |   |   |   |       |   |    |   |   |       |       |   |   |   |   |   |       |   |    |   |   |       |       |   |   |   |   |   |       |   |    |   |   |   |       |   |   |   |   |   |       |   |    |   |   |   |       |   |   |   |   |   |       |   |    |   |   |   |       |       |   |   |   |   |       |   |    |   |   |   |       |       |   |   |   |   |       |   |    |   |   |   |   |       |   |   |   |   |       |   |     |   |   |   |   |       |   |   |   |   |       |   |     |   |   |   |   |       |   |   |   |   |       |   |     |   |   |   |   |   |   |   |   |       |       |   |     |   |   |   |   |   |   |   |   |       |       |   |     |   |   |   |   |   |   |   |   |       |       |   |     |   |   |   |   |   |   |   |   |   |       |   |     |   |   |   |   |   |   |   |   |   |       |   |
| 58  | 83,0  | 239,0   | 310,0 | -      | -     | -           | - | -    | -     | 286,0 | -    |      |  |  |  |  |  |  |  |  |  |  |      |             |  |  |  |  |  |  |  |  |  |  |  |  |     |     |     |     |     |     |  |  |  |  |  |   |   |   |   |   |   |   |   |   |   |   |   |    |   |        |   |   |   |   |   |   |   |   |   |    |   |        |   |   |   |   |   |   |   |   |   |    |       |        |   |   |   |   |   |   |   |       |   |    |       |       |   |   |   |   |   |   |   |       |   |    |       |       |   |   |   |   |   |   |   |       |   |    |       |       |   |   |   |   |   |   |   |       |   |    |       |       |   |   |   |   |   |   |   |       |   |    |       |       |   |   |   |   |   |   |   |       |   |    |       |       |       |   |   |   |   |   |   |       |   |    |       |       |       |   |   |   |   |   |   |       |   |    |      |       |       |   |   |   |   |   |   |       |   |    |      |       |       |   |   |   |   |   |   |       |   |    |      |       |       |   |   |   |   |   |   |       |   |    |      |       |       |   |   |   |   |   |   |       |   |    |   |   |       |       |   |   |   |   |   |       |   |    |   |   |       |       |   |   |   |   |   |       |   |    |   |   |       |       |   |   |   |   |   |       |   |    |   |   |       |       |   |   |   |   |   |       |   |    |   |   |   |       |   |   |   |   |   |       |   |    |   |   |   |       |   |   |   |   |   |       |   |    |   |   |   |       |       |   |   |   |   |       |   |    |   |   |   |       |       |   |   |   |   |       |   |    |   |   |   |   |       |   |   |   |   |       |   |     |   |   |   |   |       |   |   |   |   |       |   |     |   |   |   |   |       |   |   |   |   |       |   |     |   |   |   |   |   |   |   |   |       |       |   |     |   |   |   |   |   |   |   |   |       |       |   |     |   |   |   |   |   |   |   |   |       |       |   |     |   |   |   |   |   |   |   |   |   |       |   |     |   |   |   |   |   |   |   |   |   |       |   |
| 62  | 74,5  | 216,0   | 284,0 | -      | -     | -           | - | -    | -     | 278,0 | -    |      |  |  |  |  |  |  |  |  |  |  |      |             |  |  |  |  |  |  |  |  |  |  |  |  |     |     |     |     |     |     |  |  |  |  |  |   |   |   |   |   |   |   |   |   |   |   |   |    |   |        |   |   |   |   |   |   |   |   |   |    |   |        |   |   |   |   |   |   |   |   |   |    |       |        |   |   |   |   |   |   |   |       |   |    |       |       |   |   |   |   |   |   |   |       |   |    |       |       |   |   |   |   |   |   |   |       |   |    |       |       |   |   |   |   |   |   |   |       |   |    |       |       |   |   |   |   |   |   |   |       |   |    |       |       |   |   |   |   |   |   |   |       |   |    |       |       |       |   |   |   |   |   |   |       |   |    |       |       |       |   |   |   |   |   |   |       |   |    |      |       |       |   |   |   |   |   |   |       |   |    |      |       |       |   |   |   |   |   |   |       |   |    |      |       |       |   |   |   |   |   |   |       |   |    |      |       |       |   |   |   |   |   |   |       |   |    |   |   |       |       |   |   |   |   |   |       |   |    |   |   |       |       |   |   |   |   |   |       |   |    |   |   |       |       |   |   |   |   |   |       |   |    |   |   |       |       |   |   |   |   |   |       |   |    |   |   |   |       |   |   |   |   |   |       |   |    |   |   |   |       |   |   |   |   |   |       |   |    |   |   |   |       |       |   |   |   |   |       |   |    |   |   |   |       |       |   |   |   |   |       |   |    |   |   |   |   |       |   |   |   |   |       |   |     |   |   |   |   |       |   |   |   |   |       |   |     |   |   |   |   |       |   |   |   |   |       |   |     |   |   |   |   |   |   |   |   |       |       |   |     |   |   |   |   |   |   |   |   |       |       |   |     |   |   |   |   |   |   |   |   |       |       |   |     |   |   |   |   |   |   |   |   |   |       |   |     |   |   |   |   |   |   |   |   |   |       |   |
| 66  | 66,5  | 197,0   | 254,0 | -      | -     | -           | - | -    | -     | 268,0 | -    |      |  |  |  |  |  |  |  |  |  |  |      |             |  |  |  |  |  |  |  |  |  |  |  |  |     |     |     |     |     |     |  |  |  |  |  |   |   |   |   |   |   |   |   |   |   |   |   |    |   |        |   |   |   |   |   |   |   |   |   |    |   |        |   |   |   |   |   |   |   |   |   |    |       |        |   |   |   |   |   |   |   |       |   |    |       |       |   |   |   |   |   |   |   |       |   |    |       |       |   |   |   |   |   |   |   |       |   |    |       |       |   |   |   |   |   |   |   |       |   |    |       |       |   |   |   |   |   |   |   |       |   |    |       |       |   |   |   |   |   |   |   |       |   |    |       |       |       |   |   |   |   |   |   |       |   |    |       |       |       |   |   |   |   |   |   |       |   |    |      |       |       |   |   |   |   |   |   |       |   |    |      |       |       |   |   |   |   |   |   |       |   |    |      |       |       |   |   |   |   |   |   |       |   |    |      |       |       |   |   |   |   |   |   |       |   |    |   |   |       |       |   |   |   |   |   |       |   |    |   |   |       |       |   |   |   |   |   |       |   |    |   |   |       |       |   |   |   |   |   |       |   |    |   |   |       |       |   |   |   |   |   |       |   |    |   |   |   |       |   |   |   |   |   |       |   |    |   |   |   |       |   |   |   |   |   |       |   |    |   |   |   |       |       |   |   |   |   |       |   |    |   |   |   |       |       |   |   |   |   |       |   |    |   |   |   |   |       |   |   |   |   |       |   |     |   |   |   |   |       |   |   |   |   |       |   |     |   |   |   |   |       |   |   |   |   |       |   |     |   |   |   |   |   |   |   |   |       |       |   |     |   |   |   |   |   |   |   |   |       |       |   |     |   |   |   |   |   |   |   |   |       |       |   |     |   |   |   |   |   |   |   |   |   |       |   |     |   |   |   |   |   |   |   |   |   |       |   |
| 70  | 59,5  | 180,0   | 229,0 | -      | -     | -           | - | -    | -     | 260,0 | -    |      |  |  |  |  |  |  |  |  |  |  |      |             |  |  |  |  |  |  |  |  |  |  |  |  |     |     |     |     |     |     |  |  |  |  |  |   |   |   |   |   |   |   |   |   |   |   |   |    |   |        |   |   |   |   |   |   |   |   |   |    |   |        |   |   |   |   |   |   |   |   |   |    |       |        |   |   |   |   |   |   |   |       |   |    |       |       |   |   |   |   |   |   |   |       |   |    |       |       |   |   |   |   |   |   |   |       |   |    |       |       |   |   |   |   |   |   |   |       |   |    |       |       |   |   |   |   |   |   |   |       |   |    |       |       |   |   |   |   |   |   |   |       |   |    |       |       |       |   |   |   |   |   |   |       |   |    |       |       |       |   |   |   |   |   |   |       |   |    |      |       |       |   |   |   |   |   |   |       |   |    |      |       |       |   |   |   |   |   |   |       |   |    |      |       |       |   |   |   |   |   |   |       |   |    |      |       |       |   |   |   |   |   |   |       |   |    |   |   |       |       |   |   |   |   |   |       |   |    |   |   |       |       |   |   |   |   |   |       |   |    |   |   |       |       |   |   |   |   |   |       |   |    |   |   |       |       |   |   |   |   |   |       |   |    |   |   |   |       |   |   |   |   |   |       |   |    |   |   |   |       |   |   |   |   |   |       |   |    |   |   |   |       |       |   |   |   |   |       |   |    |   |   |   |       |       |   |   |   |   |       |   |    |   |   |   |   |       |   |   |   |   |       |   |     |   |   |   |   |       |   |   |   |   |       |   |     |   |   |   |   |       |   |   |   |   |       |   |     |   |   |   |   |   |   |   |   |       |       |   |     |   |   |   |   |   |   |   |   |       |       |   |     |   |   |   |   |   |   |   |   |       |       |   |     |   |   |   |   |   |   |   |   |   |       |   |     |   |   |   |   |   |   |   |   |   |       |   |
| 74  | 53,5  | 158,0   | 208,0 | -      | -     | -           | - | -    | -     | 251,0 | -    |      |  |  |  |  |  |  |  |  |  |  |      |             |  |  |  |  |  |  |  |  |  |  |  |  |     |     |     |     |     |     |  |  |  |  |  |   |   |   |   |   |   |   |   |   |   |   |   |    |   |        |   |   |   |   |   |   |   |   |   |    |   |        |   |   |   |   |   |   |   |   |   |    |       |        |   |   |   |   |   |   |   |       |   |    |       |       |   |   |   |   |   |   |   |       |   |    |       |       |   |   |   |   |   |   |   |       |   |    |       |       |   |   |   |   |   |   |   |       |   |    |       |       |   |   |   |   |   |   |   |       |   |    |       |       |   |   |   |   |   |   |   |       |   |    |       |       |       |   |   |   |   |   |   |       |   |    |       |       |       |   |   |   |   |   |   |       |   |    |      |       |       |   |   |   |   |   |   |       |   |    |      |       |       |   |   |   |   |   |   |       |   |    |      |       |       |   |   |   |   |   |   |       |   |    |      |       |       |   |   |   |   |   |   |       |   |    |   |   |       |       |   |   |   |   |   |       |   |    |   |   |       |       |   |   |   |   |   |       |   |    |   |   |       |       |   |   |   |   |   |       |   |    |   |   |       |       |   |   |   |   |   |       |   |    |   |   |   |       |   |   |   |   |   |       |   |    |   |   |   |       |   |   |   |   |   |       |   |    |   |   |   |       |       |   |   |   |   |       |   |    |   |   |   |       |       |   |   |   |   |       |   |    |   |   |   |   |       |   |   |   |   |       |   |     |   |   |   |   |       |   |   |   |   |       |   |     |   |   |   |   |       |   |   |   |   |       |   |     |   |   |   |   |   |   |   |   |       |       |   |     |   |   |   |   |   |   |   |   |       |       |   |     |   |   |   |   |   |   |   |   |       |       |   |     |   |   |   |   |   |   |   |   |   |       |   |     |   |   |   |   |   |   |   |   |   |       |   |
| 76  | 50,5  | 147,0   | 199,0 | -      | -     | -           | - | -    | -     | 245,5 | -    |      |  |  |  |  |  |  |  |  |  |  |      |             |  |  |  |  |  |  |  |  |  |  |  |  |     |     |     |     |     |     |  |  |  |  |  |   |   |   |   |   |   |   |   |   |   |   |   |    |   |        |   |   |   |   |   |   |   |   |   |    |   |        |   |   |   |   |   |   |   |   |   |    |       |        |   |   |   |   |   |   |   |       |   |    |       |       |   |   |   |   |   |   |   |       |   |    |       |       |   |   |   |   |   |   |   |       |   |    |       |       |   |   |   |   |   |   |   |       |   |    |       |       |   |   |   |   |   |   |   |       |   |    |       |       |   |   |   |   |   |   |   |       |   |    |       |       |       |   |   |   |   |   |   |       |   |    |       |       |       |   |   |   |   |   |   |       |   |    |      |       |       |   |   |   |   |   |   |       |   |    |      |       |       |   |   |   |   |   |   |       |   |    |      |       |       |   |   |   |   |   |   |       |   |    |      |       |       |   |   |   |   |   |   |       |   |    |   |   |       |       |   |   |   |   |   |       |   |    |   |   |       |       |   |   |   |   |   |       |   |    |   |   |       |       |   |   |   |   |   |       |   |    |   |   |       |       |   |   |   |   |   |       |   |    |   |   |   |       |   |   |   |   |   |       |   |    |   |   |   |       |   |   |   |   |   |       |   |    |   |   |   |       |       |   |   |   |   |       |   |    |   |   |   |       |       |   |   |   |   |       |   |    |   |   |   |   |       |   |   |   |   |       |   |     |   |   |   |   |       |   |   |   |   |       |   |     |   |   |   |   |       |   |   |   |   |       |   |     |   |   |   |   |   |   |   |   |       |       |   |     |   |   |   |   |   |   |   |   |       |       |   |     |   |   |   |   |   |   |   |   |       |       |   |     |   |   |   |   |   |   |   |   |   |       |   |     |   |   |   |   |   |   |   |   |   |       |   |
| 77  | -     | -       | 194,5 | 243,0  | -     | -           | - | -    | -     | 242,7 | -    |      |  |  |  |  |  |  |  |  |  |  |      |             |  |  |  |  |  |  |  |  |  |  |  |  |     |     |     |     |     |     |  |  |  |  |  |   |   |   |   |   |   |   |   |   |   |   |   |    |   |        |   |   |   |   |   |   |   |   |   |    |   |        |   |   |   |   |   |   |   |   |   |    |       |        |   |   |   |   |   |   |   |       |   |    |       |       |   |   |   |   |   |   |   |       |   |    |       |       |   |   |   |   |   |   |   |       |   |    |       |       |   |   |   |   |   |   |   |       |   |    |       |       |   |   |   |   |   |   |   |       |   |    |       |       |   |   |   |   |   |   |   |       |   |    |       |       |       |   |   |   |   |   |   |       |   |    |       |       |       |   |   |   |   |   |   |       |   |    |      |       |       |   |   |   |   |   |   |       |   |    |      |       |       |   |   |   |   |   |   |       |   |    |      |       |       |   |   |   |   |   |   |       |   |    |      |       |       |   |   |   |   |   |   |       |   |    |   |   |       |       |   |   |   |   |   |       |   |    |   |   |       |       |   |   |   |   |   |       |   |    |   |   |       |       |   |   |   |   |   |       |   |    |   |   |       |       |   |   |   |   |   |       |   |    |   |   |   |       |   |   |   |   |   |       |   |    |   |   |   |       |   |   |   |   |   |       |   |    |   |   |   |       |       |   |   |   |   |       |   |    |   |   |   |       |       |   |   |   |   |       |   |    |   |   |   |   |       |   |   |   |   |       |   |     |   |   |   |   |       |   |   |   |   |       |   |     |   |   |   |   |       |   |   |   |   |       |   |     |   |   |   |   |   |   |   |   |       |       |   |     |   |   |   |   |   |   |   |   |       |       |   |     |   |   |   |   |   |   |   |   |       |       |   |     |   |   |   |   |   |   |   |   |   |       |   |     |   |   |   |   |   |   |   |   |   |       |   |
| 78  | -     | -       | 190,0 | 241,0  | -     | -           | - | -    | -     | 240,0 | -    |      |  |  |  |  |  |  |  |  |  |  |      |             |  |  |  |  |  |  |  |  |  |  |  |  |     |     |     |     |     |     |  |  |  |  |  |   |   |   |   |   |   |   |   |   |   |   |   |    |   |        |   |   |   |   |   |   |   |   |   |    |   |        |   |   |   |   |   |   |   |   |   |    |       |        |   |   |   |   |   |   |   |       |   |    |       |       |   |   |   |   |   |   |   |       |   |    |       |       |   |   |   |   |   |   |   |       |   |    |       |       |   |   |   |   |   |   |   |       |   |    |       |       |   |   |   |   |   |   |   |       |   |    |       |       |   |   |   |   |   |   |   |       |   |    |       |       |       |   |   |   |   |   |   |       |   |    |       |       |       |   |   |   |   |   |   |       |   |    |      |       |       |   |   |   |   |   |   |       |   |    |      |       |       |   |   |   |   |   |   |       |   |    |      |       |       |   |   |   |   |   |   |       |   |    |      |       |       |   |   |   |   |   |   |       |   |    |   |   |       |       |   |   |   |   |   |       |   |    |   |   |       |       |   |   |   |   |   |       |   |    |   |   |       |       |   |   |   |   |   |       |   |    |   |   |       |       |   |   |   |   |   |       |   |    |   |   |   |       |   |   |   |   |   |       |   |    |   |   |   |       |   |   |   |   |   |       |   |    |   |   |   |       |       |   |   |   |   |       |   |    |   |   |   |       |       |   |   |   |   |       |   |    |   |   |   |   |       |   |   |   |   |       |   |     |   |   |   |   |       |   |   |   |   |       |   |     |   |   |   |   |       |   |   |   |   |       |   |     |   |   |   |   |   |   |   |   |       |       |   |     |   |   |   |   |   |   |   |   |       |       |   |     |   |   |   |   |   |   |   |   |       |       |   |     |   |   |   |   |   |   |   |   |   |       |   |     |   |   |   |   |   |   |   |   |   |       |   |
| 82  | -     | -       | 174,0 | 218,0  | -     | -           | - | -    | -     | 223,0 | -    |      |  |  |  |  |  |  |  |  |  |  |      |             |  |  |  |  |  |  |  |  |  |  |  |  |     |     |     |     |     |     |  |  |  |  |  |   |   |   |   |   |   |   |   |   |   |   |   |    |   |        |   |   |   |   |   |   |   |   |   |    |   |        |   |   |   |   |   |   |   |   |   |    |       |        |   |   |   |   |   |   |   |       |   |    |       |       |   |   |   |   |   |   |   |       |   |    |       |       |   |   |   |   |   |   |   |       |   |    |       |       |   |   |   |   |   |   |   |       |   |    |       |       |   |   |   |   |   |   |   |       |   |    |       |       |   |   |   |   |   |   |   |       |   |    |       |       |       |   |   |   |   |   |   |       |   |    |       |       |       |   |   |   |   |   |   |       |   |    |      |       |       |   |   |   |   |   |   |       |   |    |      |       |       |   |   |   |   |   |   |       |   |    |      |       |       |   |   |   |   |   |   |       |   |    |      |       |       |   |   |   |   |   |   |       |   |    |   |   |       |       |   |   |   |   |   |       |   |    |   |   |       |       |   |   |   |   |   |       |   |    |   |   |       |       |   |   |   |   |   |       |   |    |   |   |       |       |   |   |   |   |   |       |   |    |   |   |   |       |   |   |   |   |   |       |   |    |   |   |   |       |   |   |   |   |   |       |   |    |   |   |   |       |       |   |   |   |   |       |   |    |   |   |   |       |       |   |   |   |   |       |   |    |   |   |   |   |       |   |   |   |   |       |   |     |   |   |   |   |       |   |   |   |   |       |   |     |   |   |   |   |       |   |   |   |   |       |   |     |   |   |   |   |   |   |   |   |       |       |   |     |   |   |   |   |   |   |   |   |       |       |   |     |   |   |   |   |   |   |   |   |       |       |   |     |   |   |   |   |   |   |   |   |   |       |   |     |   |   |   |   |   |   |   |   |   |       |   |
| 86  | -     | -       | 160,0 | 198,0  | -     | -           | - | -    | -     | 207,0 | -    |      |  |  |  |  |  |  |  |  |  |  |      |             |  |  |  |  |  |  |  |  |  |  |  |  |     |     |     |     |     |     |  |  |  |  |  |   |   |   |   |   |   |   |   |   |   |   |   |    |   |        |   |   |   |   |   |   |   |   |   |    |   |        |   |   |   |   |   |   |   |   |   |    |       |        |   |   |   |   |   |   |   |       |   |    |       |       |   |   |   |   |   |   |   |       |   |    |       |       |   |   |   |   |   |   |   |       |   |    |       |       |   |   |   |   |   |   |   |       |   |    |       |       |   |   |   |   |   |   |   |       |   |    |       |       |   |   |   |   |   |   |   |       |   |    |       |       |       |   |   |   |   |   |   |       |   |    |       |       |       |   |   |   |   |   |   |       |   |    |      |       |       |   |   |   |   |   |   |       |   |    |      |       |       |   |   |   |   |   |   |       |   |    |      |       |       |   |   |   |   |   |   |       |   |    |      |       |       |   |   |   |   |   |   |       |   |    |   |   |       |       |   |   |   |   |   |       |   |    |   |   |       |       |   |   |   |   |   |       |   |    |   |   |       |       |   |   |   |   |   |       |   |    |   |   |       |       |   |   |   |   |   |       |   |    |   |   |   |       |   |   |   |   |   |       |   |    |   |   |   |       |   |   |   |   |   |       |   |    |   |   |   |       |       |   |   |   |   |       |   |    |   |   |   |       |       |   |   |   |   |       |   |    |   |   |   |   |       |   |   |   |   |       |   |     |   |   |   |   |       |   |   |   |   |       |   |     |   |   |   |   |       |   |   |   |   |       |   |     |   |   |   |   |   |   |   |   |       |       |   |     |   |   |   |   |   |   |   |   |       |       |   |     |   |   |   |   |   |   |   |   |       |       |   |     |   |   |   |   |   |   |   |   |   |       |   |     |   |   |   |   |   |   |   |   |   |       |   |
| 90  | -     | -       | -     | 181,0  | -     | -           | - | -    | -     | 188,0 | -    |      |  |  |  |  |  |  |  |  |  |  |      |             |  |  |  |  |  |  |  |  |  |  |  |  |     |     |     |     |     |     |  |  |  |  |  |   |   |   |   |   |   |   |   |   |   |   |   |    |   |        |   |   |   |   |   |   |   |   |   |    |   |        |   |   |   |   |   |   |   |   |   |    |       |        |   |   |   |   |   |   |   |       |   |    |       |       |   |   |   |   |   |   |   |       |   |    |       |       |   |   |   |   |   |   |   |       |   |    |       |       |   |   |   |   |   |   |   |       |   |    |       |       |   |   |   |   |   |   |   |       |   |    |       |       |   |   |   |   |   |   |   |       |   |    |       |       |       |   |   |   |   |   |   |       |   |    |       |       |       |   |   |   |   |   |   |       |   |    |      |       |       |   |   |   |   |   |   |       |   |    |      |       |       |   |   |   |   |   |   |       |   |    |      |       |       |   |   |   |   |   |   |       |   |    |      |       |       |   |   |   |   |   |   |       |   |    |   |   |       |       |   |   |   |   |   |       |   |    |   |   |       |       |   |   |   |   |   |       |   |    |   |   |       |       |   |   |   |   |   |       |   |    |   |   |       |       |   |   |   |   |   |       |   |    |   |   |   |       |   |   |   |   |   |       |   |    |   |   |   |       |   |   |   |   |   |       |   |    |   |   |   |       |       |   |   |   |   |       |   |    |   |   |   |       |       |   |   |   |   |       |   |    |   |   |   |   |       |   |   |   |   |       |   |     |   |   |   |   |       |   |   |   |   |       |   |     |   |   |   |   |       |   |   |   |   |       |   |     |   |   |   |   |   |   |   |   |       |       |   |     |   |   |   |   |   |   |   |   |       |       |   |     |   |   |   |   |   |   |   |   |       |       |   |     |   |   |   |   |   |   |   |   |   |       |   |     |   |   |   |   |   |   |   |   |   |       |   |
| 94  | -     | -       | -     | 166,0  | -     | -           | - | -    | -     | 171,0 | -    |      |  |  |  |  |  |  |  |  |  |  |      |             |  |  |  |  |  |  |  |  |  |  |  |  |     |     |     |     |     |     |  |  |  |  |  |   |   |   |   |   |   |   |   |   |   |   |   |    |   |        |   |   |   |   |   |   |   |   |   |    |   |        |   |   |   |   |   |   |   |   |   |    |       |        |   |   |   |   |   |   |   |       |   |    |       |       |   |   |   |   |   |   |   |       |   |    |       |       |   |   |   |   |   |   |   |       |   |    |       |       |   |   |   |   |   |   |   |       |   |    |       |       |   |   |   |   |   |   |   |       |   |    |       |       |   |   |   |   |   |   |   |       |   |    |       |       |       |   |   |   |   |   |   |       |   |    |       |       |       |   |   |   |   |   |   |       |   |    |      |       |       |   |   |   |   |   |   |       |   |    |      |       |       |   |   |   |   |   |   |       |   |    |      |       |       |   |   |   |   |   |   |       |   |    |      |       |       |   |   |   |   |   |   |       |   |    |   |   |       |       |   |   |   |   |   |       |   |    |   |   |       |       |   |   |   |   |   |       |   |    |   |   |       |       |   |   |   |   |   |       |   |    |   |   |       |       |   |   |   |   |   |       |   |    |   |   |   |       |   |   |   |   |   |       |   |    |   |   |   |       |   |   |   |   |   |       |   |    |   |   |   |       |       |   |   |   |   |       |   |    |   |   |   |       |       |   |   |   |   |       |   |    |   |   |   |   |       |   |   |   |   |       |   |     |   |   |   |   |       |   |   |   |   |       |   |     |   |   |   |   |       |   |   |   |   |       |   |     |   |   |   |   |   |   |   |   |       |       |   |     |   |   |   |   |   |   |   |   |       |       |   |     |   |   |   |   |   |   |   |   |       |       |   |     |   |   |   |   |   |   |   |   |   |       |   |     |   |   |   |   |   |   |   |   |   |       |   |
| 95  | -     | -       | -     | 162,5  | 168,0 | -           | - | -    | -     | 167,0 | -    |      |  |  |  |  |  |  |  |  |  |  |      |             |  |  |  |  |  |  |  |  |  |  |  |  |     |     |     |     |     |     |  |  |  |  |  |   |   |   |   |   |   |   |   |   |   |   |   |    |   |        |   |   |   |   |   |   |   |   |   |    |   |        |   |   |   |   |   |   |   |   |   |    |       |        |   |   |   |   |   |   |   |       |   |    |       |       |   |   |   |   |   |   |   |       |   |    |       |       |   |   |   |   |   |   |   |       |   |    |       |       |   |   |   |   |   |   |   |       |   |    |       |       |   |   |   |   |   |   |   |       |   |    |       |       |   |   |   |   |   |   |   |       |   |    |       |       |       |   |   |   |   |   |   |       |   |    |       |       |       |   |   |   |   |   |   |       |   |    |      |       |       |   |   |   |   |   |   |       |   |    |      |       |       |   |   |   |   |   |   |       |   |    |      |       |       |   |   |   |   |   |   |       |   |    |      |       |       |   |   |   |   |   |   |       |   |    |   |   |       |       |   |   |   |   |   |       |   |    |   |   |       |       |   |   |   |   |   |       |   |    |   |   |       |       |   |   |   |   |   |       |   |    |   |   |       |       |   |   |   |   |   |       |   |    |   |   |   |       |   |   |   |   |   |       |   |    |   |   |   |       |   |   |   |   |   |       |   |    |   |   |   |       |       |   |   |   |   |       |   |    |   |   |   |       |       |   |   |   |   |       |   |    |   |   |   |   |       |   |   |   |   |       |   |     |   |   |   |   |       |   |   |   |   |       |   |     |   |   |   |   |       |   |   |   |   |       |   |     |   |   |   |   |   |   |   |   |       |       |   |     |   |   |   |   |   |   |   |   |       |       |   |     |   |   |   |   |   |   |   |   |       |       |   |     |   |   |   |   |   |   |   |   |   |       |   |     |   |   |   |   |   |   |   |   |   |       |   |
| 96  | -     | -       | -     | 159,0  | 166,0 | -           | - | -    | -     | 163,0 | -    |      |  |  |  |  |  |  |  |  |  |  |      |             |  |  |  |  |  |  |  |  |  |  |  |  |     |     |     |     |     |     |  |  |  |  |  |   |   |   |   |   |   |   |   |   |   |   |   |    |   |        |   |   |   |   |   |   |   |   |   |    |   |        |   |   |   |   |   |   |   |   |   |    |       |        |   |   |   |   |   |   |   |       |   |    |       |       |   |   |   |   |   |   |   |       |   |    |       |       |   |   |   |   |   |   |   |       |   |    |       |       |   |   |   |   |   |   |   |       |   |    |       |       |   |   |   |   |   |   |   |       |   |    |       |       |   |   |   |   |   |   |   |       |   |    |       |       |       |   |   |   |   |   |   |       |   |    |       |       |       |   |   |   |   |   |   |       |   |    |      |       |       |   |   |   |   |   |   |       |   |    |      |       |       |   |   |   |   |   |   |       |   |    |      |       |       |   |   |   |   |   |   |       |   |    |      |       |       |   |   |   |   |   |   |       |   |    |   |   |       |       |   |   |   |   |   |       |   |    |   |   |       |       |   |   |   |   |   |       |   |    |   |   |       |       |   |   |   |   |   |       |   |    |   |   |       |       |   |   |   |   |   |       |   |    |   |   |   |       |   |   |   |   |   |       |   |    |   |   |   |       |   |   |   |   |   |       |   |    |   |   |   |       |       |   |   |   |   |       |   |    |   |   |   |       |       |   |   |   |   |       |   |    |   |   |   |   |       |   |   |   |   |       |   |     |   |   |   |   |       |   |   |   |   |       |   |     |   |   |   |   |       |   |   |   |   |       |   |     |   |   |   |   |   |   |   |   |       |       |   |     |   |   |   |   |   |   |   |   |       |       |   |     |   |   |   |   |   |   |   |   |       |       |   |     |   |   |   |   |   |   |   |   |   |       |   |     |   |   |   |   |   |   |   |   |   |       |   |
| 98  | -     | -       | -     | -      | 161,0 | -           | - | -    | -     | 155,0 | -    |      |  |  |  |  |  |  |  |  |  |  |      |             |  |  |  |  |  |  |  |  |  |  |  |  |     |     |     |     |     |     |  |  |  |  |  |   |   |   |   |   |   |   |   |   |   |   |   |    |   |        |   |   |   |   |   |   |   |   |   |    |   |        |   |   |   |   |   |   |   |   |   |    |       |        |   |   |   |   |   |   |   |       |   |    |       |       |   |   |   |   |   |   |   |       |   |    |       |       |   |   |   |   |   |   |   |       |   |    |       |       |   |   |   |   |   |   |   |       |   |    |       |       |   |   |   |   |   |   |   |       |   |    |       |       |   |   |   |   |   |   |   |       |   |    |       |       |       |   |   |   |   |   |   |       |   |    |       |       |       |   |   |   |   |   |   |       |   |    |      |       |       |   |   |   |   |   |   |       |   |    |      |       |       |   |   |   |   |   |   |       |   |    |      |       |       |   |   |   |   |   |   |       |   |    |      |       |       |   |   |   |   |   |   |       |   |    |   |   |       |       |   |   |   |   |   |       |   |    |   |   |       |       |   |   |   |   |   |       |   |    |   |   |       |       |   |   |   |   |   |       |   |    |   |   |       |       |   |   |   |   |   |       |   |    |   |   |   |       |   |   |   |   |   |       |   |    |   |   |   |       |   |   |   |   |   |       |   |    |   |   |   |       |       |   |   |   |   |       |   |    |   |   |   |       |       |   |   |   |   |       |   |    |   |   |   |   |       |   |   |   |   |       |   |     |   |   |   |   |       |   |   |   |   |       |   |     |   |   |   |   |       |   |   |   |   |       |   |     |   |   |   |   |   |   |   |   |       |       |   |     |   |   |   |   |   |   |   |   |       |       |   |     |   |   |   |   |   |   |   |   |       |       |   |     |   |   |   |   |   |   |   |   |   |       |   |     |   |   |   |   |   |   |   |   |   |       |   |
| 102   | -     | -       | -     | -      | 152,0 | -           | - | -    | -     | 139,0 | -    |      |  |  |  |  |  |  |  |  |  |  |      |             |  |  |  |  |  |  |  |  |  |  |  |  |     |     |     |     |     |     |  |  |  |  |  |   |   |   |   |   |   |   |   |   |   |   |   |    |   |        |   |   |   |   |   |   |   |   |   |    |   |        |   |   |   |   |   |   |   |   |   |    |       |        |   |   |   |   |   |   |   |       |   |    |       |       |   |   |   |   |   |   |   |       |   |    |       |       |   |   |   |   |   |   |   |       |   |    |       |       |   |   |   |   |   |   |   |       |   |    |       |       |   |   |   |   |   |   |   |       |   |    |       |       |   |   |   |   |   |   |   |       |   |    |       |       |       |   |   |   |   |   |   |       |   |    |       |       |       |   |   |   |   |   |   |       |   |    |      |       |       |   |   |   |   |   |   |       |   |    |      |       |       |   |   |   |   |   |   |       |   |    |      |       |       |   |   |   |   |   |   |       |   |    |      |       |       |   |   |   |   |   |   |       |   |    |   |   |       |       |   |   |   |   |   |       |   |    |   |   |       |       |   |   |   |   |   |       |   |    |   |   |       |       |   |   |   |   |   |       |   |    |   |   |       |       |   |   |   |   |   |       |   |    |   |   |   |       |   |   |   |   |   |       |   |    |   |   |   |       |   |   |   |   |   |       |   |    |   |   |   |       |       |   |   |   |   |       |   |    |   |   |   |       |       |   |   |   |   |       |   |    |   |   |   |   |       |   |   |   |   |       |   |     |   |   |   |   |       |   |   |   |   |       |   |     |   |   |   |   |       |   |   |   |   |       |   |     |   |   |   |   |   |   |   |   |       |       |   |     |   |   |   |   |   |   |   |   |       |       |   |     |   |   |   |   |   |   |   |   |       |       |   |     |   |   |   |   |   |   |   |   |   |       |   |     |   |   |   |   |   |   |   |   |   |       |   |
| 106   | -     | -       | -     | -      | 144,0 | -           | - | -    | -     | 125,0 | -    |      |  |  |  |  |  |  |  |  |  |  |      |             |  |  |  |  |  |  |  |  |  |  |  |  |     |     |     |     |     |     |  |  |  |  |  |   |   |   |   |   |   |   |   |   |   |   |   |    |   |        |   |   |   |   |   |   |   |   |   |    |   |        |   |   |   |   |   |   |   |   |   |    |       |        |   |   |   |   |   |   |   |       |   |    |       |       |   |   |   |   |   |   |   |       |   |    |       |       |   |   |   |   |   |   |   |       |   |    |       |       |   |   |   |   |   |   |   |       |   |    |       |       |   |   |   |   |   |   |   |       |   |    |       |       |   |   |   |   |   |   |   |       |   |    |       |       |       |   |   |   |   |   |   |       |   |    |       |       |       |   |   |   |   |   |   |       |   |    |      |       |       |   |   |   |   |   |   |       |   |    |      |       |       |   |   |   |   |   |   |       |   |    |      |       |       |   |   |   |   |   |   |       |   |    |      |       |       |   |   |   |   |   |   |       |   |    |   |   |       |       |   |   |   |   |   |       |   |    |   |   |       |       |   |   |   |   |   |       |   |    |   |   |       |       |   |   |   |   |   |       |   |    |   |   |       |       |   |   |   |   |   |       |   |    |   |   |   |       |   |   |   |   |   |       |   |    |   |   |   |       |   |   |   |   |   |       |   |    |   |   |   |       |       |   |   |   |   |       |   |    |   |   |   |       |       |   |   |   |   |       |   |    |   |   |   |   |       |   |   |   |   |       |   |     |   |   |   |   |       |   |   |   |   |       |   |     |   |   |   |   |       |   |   |   |   |       |   |     |   |   |   |   |   |   |   |   |       |       |   |     |   |   |   |   |   |   |   |   |       |       |   |     |   |   |   |   |   |   |   |   |       |       |   |     |   |   |   |   |   |   |   |   |   |       |   |     |   |   |   |   |   |   |   |   |   |       |   |
| 110   | -     | -       | -     | -      | -     | -           | - | -    | 115,0 | 114,0 | -    |      |  |  |  |  |  |  |  |  |  |  |      |             |  |  |  |  |  |  |  |  |  |  |  |  |     |     |     |     |     |     |  |  |  |  |  |   |   |   |   |   |   |   |   |   |   |   |   |    |   |        |   |   |   |   |   |   |   |   |   |    |   |        |   |   |   |   |   |   |   |   |   |    |       |        |   |   |   |   |   |   |   |       |   |    |       |       |   |   |   |   |   |   |   |       |   |    |       |       |   |   |   |   |   |   |   |       |   |    |       |       |   |   |   |   |   |   |   |       |   |    |       |       |   |   |   |   |   |   |   |       |   |    |       |       |   |   |   |   |   |   |   |       |   |    |       |       |       |   |   |   |   |   |   |       |   |    |       |       |       |   |   |   |   |   |   |       |   |    |      |       |       |   |   |   |   |   |   |       |   |    |      |       |       |   |   |   |   |   |   |       |   |    |      |       |       |   |   |   |   |   |   |       |   |    |      |       |       |   |   |   |   |   |   |       |   |    |   |   |       |       |   |   |   |   |   |       |   |    |   |   |       |       |   |   |   |   |   |       |   |    |   |   |       |       |   |   |   |   |   |       |   |    |   |   |       |       |   |   |   |   |   |       |   |    |   |   |   |       |   |   |   |   |   |       |   |    |   |   |   |       |   |   |   |   |   |       |   |    |   |   |   |       |       |   |   |   |   |       |   |    |   |   |   |       |       |   |   |   |   |       |   |    |   |   |   |   |       |   |   |   |   |       |   |     |   |   |   |   |       |   |   |   |   |       |   |     |   |   |   |   |       |   |   |   |   |       |   |     |   |   |   |   |   |   |   |   |       |       |   |     |   |   |   |   |   |   |   |   |       |       |   |     |   |   |   |   |   |   |   |   |       |       |   |     |   |   |   |   |   |   |   |   |   |       |   |     |   |   |   |   |   |   |   |   |   |       |   |
| 114   | -     | -       | -     | -      | -     | -           | - | -    | 110,0 | 106,0 | -    |      |  |  |  |  |  |  |  |  |  |  |      |             |  |  |  |  |  |  |  |  |  |  |  |  |     |     |     |     |     |     |  |  |  |  |  |   |   |   |   |   |   |   |   |   |   |   |   |    |   |        |   |   |   |   |   |   |   |   |   |    |   |        |   |   |   |   |   |   |   |   |   |    |       |        |   |   |   |   |   |   |   |       |   |    |       |       |   |   |   |   |   |   |   |       |   |    |       |       |   |   |   |   |   |   |   |       |   |    |       |       |   |   |   |   |   |   |   |       |   |    |       |       |   |   |   |   |   |   |   |       |   |    |       |       |   |   |   |   |   |   |   |       |   |    |       |       |       |   |   |   |   |   |   |       |   |    |       |       |       |   |   |   |   |   |   |       |   |    |      |       |       |   |   |   |   |   |   |       |   |    |      |       |       |   |   |   |   |   |   |       |   |    |      |       |       |   |   |   |   |   |   |       |   |    |      |       |       |   |   |   |   |   |   |       |   |    |   |   |       |       |   |   |   |   |   |       |   |    |   |   |       |       |   |   |   |   |   |       |   |    |   |   |       |       |   |   |   |   |   |       |   |    |   |   |       |       |   |   |   |   |   |       |   |    |   |   |   |       |   |   |   |   |   |       |   |    |   |   |   |       |   |   |   |   |   |       |   |    |   |   |   |       |       |   |   |   |   |       |   |    |   |   |   |       |       |   |   |   |   |       |   |    |   |   |   |   |       |   |   |   |   |       |   |     |   |   |   |   |       |   |   |   |   |       |   |     |   |   |   |   |       |   |   |   |   |       |   |     |   |   |   |   |   |   |   |   |       |       |   |     |   |   |   |   |   |   |   |   |       |       |   |     |   |   |   |   |   |   |   |   |       |       |   |     |   |   |   |   |   |   |   |   |   |       |   |     |   |   |   |   |   |   |   |   |   |       |   |
| 118   | -     | -       | -     | -      | -     | -           | - | -    | -     | 93,0  | -    |      |  |  |  |  |  |  |  |  |  |  |      |             |  |  |  |  |  |  |  |  |  |  |  |  |     |     |     |     |     |     |  |  |  |  |  |   |   |   |   |   |   |   |   |   |   |   |   |    |   |        |   |   |   |   |   |   |   |   |   |    |   |        |   |   |   |   |   |   |   |   |   |    |       |        |   |   |   |   |   |   |   |       |   |    |       |       |   |   |   |   |   |   |   |       |   |    |       |       |   |   |   |   |   |   |   |       |   |    |       |       |   |   |   |   |   |   |   |       |   |    |       |       |   |   |   |   |   |   |   |       |   |    |       |       |   |   |   |   |   |   |   |       |   |    |       |       |       |   |   |   |   |   |   |       |   |    |       |       |       |   |   |   |   |   |   |       |   |    |      |       |       |   |   |   |   |   |   |       |   |    |      |       |       |   |   |   |   |   |   |       |   |    |      |       |       |   |   |   |   |   |   |       |   |    |      |       |       |   |   |   |   |   |   |       |   |    |   |   |       |       |   |   |   |   |   |       |   |    |   |   |       |       |   |   |   |   |   |       |   |    |   |   |       |       |   |   |   |   |   |       |   |    |   |   |       |       |   |   |   |   |   |       |   |    |   |   |   |       |   |   |   |   |   |       |   |    |   |   |   |       |   |   |   |   |   |       |   |    |   |   |   |       |       |   |   |   |   |       |   |    |   |   |   |       |       |   |   |   |   |       |   |    |   |   |   |   |       |   |   |   |   |       |   |     |   |   |   |   |       |   |   |   |   |       |   |     |   |   |   |   |       |   |   |   |   |       |   |     |   |   |   |   |   |   |   |   |       |       |   |     |   |   |   |   |   |   |   |   |       |       |   |     |   |   |   |   |   |   |   |   |       |       |   |     |   |   |   |   |   |   |   |   |   |       |   |     |   |   |   |   |   |   |   |   |   |       |   |
| 122   | -     | -       | -     | -      | -     | -           | - | -    | -     | 80,0  | -    |      |  |  |  |  |  |  |  |  |  |  |      |             |  |  |  |  |  |  |  |  |  |  |  |  |     |     |     |     |     |     |  |  |  |  |  |   |   |   |   |   |   |   |   |   |   |   |   |    |   |        |   |   |   |   |   |   |   |   |   |    |   |        |   |   |   |   |   |   |   |   |   |    |       |        |   |   |   |   |   |   |   |       |   |    |       |       |   |   |   |   |   |   |   |       |   |    |       |       |   |   |   |   |   |   |   |       |   |    |       |       |   |   |   |   |   |   |   |       |   |    |       |       |   |   |   |   |   |   |   |       |   |    |       |       |   |   |   |   |   |   |   |       |   |    |       |       |       |   |   |   |   |   |   |       |   |    |       |       |       |   |   |   |   |   |   |       |   |    |      |       |       |   |   |   |   |   |   |       |   |    |      |       |       |   |   |   |   |   |   |       |   |    |      |       |       |   |   |   |   |   |   |       |   |    |      |       |       |   |   |   |   |   |   |       |   |    |   |   |       |       |   |   |   |   |   |       |   |    |   |   |       |       |   |   |   |   |   |       |   |    |   |   |       |       |   |   |   |   |   |       |   |    |   |   |       |       |   |   |   |   |   |       |   |    |   |   |   |       |   |   |   |   |   |       |   |    |   |   |   |       |   |   |   |   |   |       |   |    |   |   |   |       |       |   |   |   |   |       |   |    |   |   |   |       |       |   |   |   |   |       |   |    |   |   |   |   |       |   |   |   |   |       |   |     |   |   |   |   |       |   |   |   |   |       |   |     |   |   |   |   |       |   |   |   |   |       |   |     |   |   |   |   |   |   |   |   |       |       |   |     |   |   |   |   |   |   |   |   |       |       |   |     |   |   |   |   |   |   |   |   |       |       |   |     |   |   |   |   |   |   |   |   |   |       |   |     |   |   |   |   |   |   |   |   |   |       |   |

6 m steps of luffing jib is standard · 6 m Stufung der Wippe ist Standard · Des paliers de 6 m sont de série pour la fléchette

Main boom angle 88°, 85°, 75°, 65°, 55° and 45°; capacities for intermediate boom positions are calculated by the crane control system IC-1  
 Hauptauslegerwinkel 88°, 85°, 75°, 65°, 55° und 45°; Traglasten für Zwischenstellungen des Hauptauslegers werden von der Kransteuerung IC-1 berechnet

Jarret de flèche principale 88°, 85°, 75°, 65°, 55° et 45° ; le système de commande de la grue IC-1 calcule les charges pour les positions intermédiaires de la flèche

\* Main boom angle 88° · Hauptauslegerwinkel 88° · Jarret de flèche principale 88°

| 295 t + 60 t ZB   |       | 19-30 m     |       | 10,5 m |       | 9.8 m/s     |      | 360° |   | ISO   |   |      |  |  |  |  |  |  |  |  |  |      |  |     |  |             |  |  |  |  |  |  |  |  |  |  |     |     |     |     |     |     |  |  |  |  |  |   |   |   |   |   |   |   |   |   |   |   |   |    |   |        |   |   |   |   |   |   |   |   |   |    |   |        |   |   |   |   |   |   |   |   |   |    |   |        |   |   |   |   |   |   |   |   |   |    |       |       |   |   |   |   |   |   |   |       |   |    |       |       |   |   |   |   |   |   |   |       |   |    |       |       |   |   |   |   |   |   |   |       |   |    |      |       |   |   |   |   |   |   |   |       |   |    |      |       |   |   |   |   |   |   |   |       |   |    |      |       |   |   |   |   |   |   |   |       |   |    |      |       |   |   |   |   |   |   |   |       |   |    |      |       |       |   |   |   |   |   |   |       |   |    |      |       |       |   |   |   |   |   |   |       |   |    |      |       |       |   |   |   |   |   |   |       |   |    |      |       |       |   |   |   |   |   |   |       |   |    |      |       |       |   |   |   |   |   |   |       |   |    |      |       |       |   |   |   |   |   |   |       |   |    |      |       |       |       |   |   |   |   |   |       |   |    |      |       |       |       |   |   |   |   |   |       |   |    |   |   |       |       |   |   |   |   |   |       |   |    |   |   |       |       |   |   |   |   |   |       |   |    |   |   |       |       |   |   |   |   |   |       |   |     |   |   |   |       |   |   |   |   |   |       |   |     |   |   |   |       |       |   |   |   |   |       |   |     |   |   |   |       |       |   |   |   |   |       |   |     |   |   |   |       |       |   |   |   |   |       |   |     |   |   |   |   |       |   |   |   |   |       |   |     |   |   |   |   |       |   |   |   |   |       |   |     |   |   |   |   |       |   |   |   |   |      |   |     |   |   |   |   |   |      |      |   |   |   |   |     |   |   |   |   |   |      |      |   |   |   |   |     |   |   |   |   |   |      |      |   |   |   |   |     |   |   |   |   |   |   |      |   |   |   |   |     |   |   |   |   |   |   |      |   |   |   |   |
|---|-------|-------------|-------|--------|-------|-------------|------|------|---|-------|---|------|--|--|--|--|--|--|--|--|--|------|--|-----|--|-------------|--|--|--|--|--|--|--|--|--|--|-----|-----|-----|-----|-----|-----|--|--|--|--|--|---|---|---|---|---|---|---|---|---|---|---|---|----|---|--------|---|---|---|---|---|---|---|---|---|----|---|--------|---|---|---|---|---|---|---|---|---|----|---|--------|---|---|---|---|---|---|---|---|---|----|-------|-------|---|---|---|---|---|---|---|-------|---|----|-------|-------|---|---|---|---|---|---|---|-------|---|----|-------|-------|---|---|---|---|---|---|---|-------|---|----|------|-------|---|---|---|---|---|---|---|-------|---|----|------|-------|---|---|---|---|---|---|---|-------|---|----|------|-------|---|---|---|---|---|---|---|-------|---|----|------|-------|---|---|---|---|---|---|---|-------|---|----|------|-------|-------|---|---|---|---|---|---|-------|---|----|------|-------|-------|---|---|---|---|---|---|-------|---|----|------|-------|-------|---|---|---|---|---|---|-------|---|----|------|-------|-------|---|---|---|---|---|---|-------|---|----|------|-------|-------|---|---|---|---|---|---|-------|---|----|------|-------|-------|---|---|---|---|---|---|-------|---|----|------|-------|-------|-------|---|---|---|---|---|-------|---|----|------|-------|-------|-------|---|---|---|---|---|-------|---|----|---|---|-------|-------|---|---|---|---|---|-------|---|----|---|---|-------|-------|---|---|---|---|---|-------|---|----|---|---|-------|-------|---|---|---|---|---|-------|---|-----|---|---|---|-------|---|---|---|---|---|-------|---|-----|---|---|---|-------|-------|---|---|---|---|-------|---|-----|---|---|---|-------|-------|---|---|---|---|-------|---|-----|---|---|---|-------|-------|---|---|---|---|-------|---|-----|---|---|---|---|-------|---|---|---|---|-------|---|-----|---|---|---|---|-------|---|---|---|---|-------|---|-----|---|---|---|---|-------|---|---|---|---|------|---|-----|---|---|---|---|---|------|------|---|---|---|---|-----|---|---|---|---|---|------|------|---|---|---|---|-----|---|---|---|---|---|------|------|---|---|---|---|-----|---|---|---|---|---|---|------|---|---|---|---|-----|---|---|---|---|---|---|------|---|---|---|---|
| 60 m + 84 m   |       |             |       |        |       | 60 m + 96 m |      |      |   |       |   |      |  |  |  |  |  |  |  |  |  |      |  |     |  |             |  |  |  |  |  |  |  |  |  |  |     |     |     |     |     |     |  |  |  |  |  |   |   |   |   |   |   |   |   |   |   |   |   |    |   |        |   |   |   |   |   |   |   |   |   |    |   |        |   |   |   |   |   |   |   |   |   |    |   |        |   |   |   |   |   |   |   |   |   |    |       |       |   |   |   |   |   |   |   |       |   |    |       |       |   |   |   |   |   |   |   |       |   |    |       |       |   |   |   |   |   |   |   |       |   |    |      |       |   |   |   |   |   |   |   |       |   |    |      |       |   |   |   |   |   |   |   |       |   |    |      |       |   |   |   |   |   |   |   |       |   |    |      |       |   |   |   |   |   |   |   |       |   |    |      |       |       |   |   |   |   |   |   |       |   |    |      |       |       |   |   |   |   |   |   |       |   |    |      |       |       |   |   |   |   |   |   |       |   |    |      |       |       |   |   |   |   |   |   |       |   |    |      |       |       |   |   |   |   |   |   |       |   |    |      |       |       |   |   |   |   |   |   |       |   |    |      |       |       |       |   |   |   |   |   |       |   |    |      |       |       |       |   |   |   |   |   |       |   |    |   |   |       |       |   |   |   |   |   |       |   |    |   |   |       |       |   |   |   |   |   |       |   |    |   |   |       |       |   |   |   |   |   |       |   |     |   |   |   |       |   |   |   |   |   |       |   |     |   |   |   |       |       |   |   |   |   |       |   |     |   |   |   |       |       |   |   |   |   |       |   |     |   |   |   |       |       |   |   |   |   |       |   |     |   |   |   |   |       |   |   |   |   |       |   |     |   |   |   |   |       |   |   |   |   |       |   |     |   |   |   |   |       |   |   |   |   |      |   |     |   |   |   |   |   |      |      |   |   |   |   |     |   |   |   |   |   |      |      |   |   |   |   |     |   |   |   |   |   |      |      |   |   |   |   |     |   |   |   |   |   |   |      |   |   |   |   |     |   |   |   |   |   |   |      |   |   |   |   |
| <table border="1"> <thead> <tr> <th colspan="10">SWSL</th> <th colspan="2">SFSL</th> </tr> <tr> <th colspan="2">0 t</th> <th colspan="8">0 t - 640 t</th> <th colspan="2"></th> </tr> <tr> <th></th> <th>85°</th> <th>85°</th> <th>75°</th> <th>65°</th> <th>55°</th> <th>45°</th> <th></th> <th></th> <th></th> <th></th> <th></th> </tr> <tr> <th>m</th> <th>t</th> <th>t</th> <th>t</th> <th>t</th> <th>t</th> <th>t</th> <th>t</th> <th>t</th> <th>t</th> <th>t</th> <th>t</th> </tr> </thead> <tbody> <tr><td>32</td><td>-</td><td>237,0*</td><td>-</td><td>-</td><td>-</td><td>-</td><td>-</td><td>-</td><td>-</td><td>-</td><td>-</td></tr> <tr><td>34</td><td>-</td><td>236,0*</td><td>-</td><td>-</td><td>-</td><td>-</td><td>-</td><td>-</td><td>-</td><td>-</td><td>-</td></tr> <tr><td>38</td><td>-</td><td>230,0*</td><td>-</td><td>-</td><td>-</td><td>-</td><td>-</td><td>-</td><td>-</td><td>-</td><td>-</td></tr> <tr><td>40</td><td>123,0</td><td>244,0</td><td>-</td><td>-</td><td>-</td><td>-</td><td>-</td><td>-</td><td>-</td><td>240,0</td><td>-</td></tr> <tr><td>42</td><td>116,0</td><td>243,0</td><td>-</td><td>-</td><td>-</td><td>-</td><td>-</td><td>-</td><td>-</td><td>240,0</td><td>-</td></tr> <tr><td>46</td><td>103,0</td><td>240,0</td><td>-</td><td>-</td><td>-</td><td>-</td><td>-</td><td>-</td><td>-</td><td>240,0</td><td>-</td></tr> <tr><td>50</td><td>92,0</td><td>236,0</td><td>-</td><td>-</td><td>-</td><td>-</td><td>-</td><td>-</td><td>-</td><td>240,0</td><td>-</td></tr> <tr><td>54</td><td>82,5</td><td>232,0</td><td>-</td><td>-</td><td>-</td><td>-</td><td>-</td><td>-</td><td>-</td><td>240,0</td><td>-</td></tr> <tr><td>58</td><td>74,0</td><td>228,0</td><td>-</td><td>-</td><td>-</td><td>-</td><td>-</td><td>-</td><td>-</td><td>240,0</td><td>-</td></tr> <tr><td>62</td><td>67,0</td><td>210,0</td><td>-</td><td>-</td><td>-</td><td>-</td><td>-</td><td>-</td><td>-</td><td>235,0</td><td>-</td></tr> <tr><td>64</td><td>63,5</td><td>200,0</td><td>242,0</td><td>-</td><td>-</td><td>-</td><td>-</td><td>-</td><td>-</td><td>232,0</td><td>-</td></tr> <tr><td>66</td><td>59,5</td><td>190,0</td><td>242,0</td><td>-</td><td>-</td><td>-</td><td>-</td><td>-</td><td>-</td><td>229,0</td><td>-</td></tr> <tr><td>70</td><td>52,5</td><td>173,0</td><td>223,0</td><td>-</td><td>-</td><td>-</td><td>-</td><td>-</td><td>-</td><td>223,0</td><td>-</td></tr> <tr><td>74</td><td>46,7</td><td>159,0</td><td>202,0</td><td>-</td><td>-</td><td>-</td><td>-</td><td>-</td><td>-</td><td>217,0</td><td>-</td></tr> <tr><td>78</td><td>41,3</td><td>146,0</td><td>183,0</td><td>-</td><td>-</td><td>-</td><td>-</td><td>-</td><td>-</td><td>211,0</td><td>-</td></tr> <tr><td>82</td><td>36,5</td><td>133,0</td><td>167,0</td><td>-</td><td>-</td><td>-</td><td>-</td><td>-</td><td>-</td><td>204,0</td><td>-</td></tr> <tr><td>86</td><td>32,3</td><td>117,5</td><td>153,0</td><td>192,0</td><td>-</td><td>-</td><td>-</td><td>-</td><td>-</td><td>193,0</td><td>-</td></tr> <tr><td>88</td><td>30,4</td><td>109,0</td><td>147,0</td><td>183,0</td><td>-</td><td>-</td><td>-</td><td>-</td><td>-</td><td>188,5</td><td>-</td></tr> <tr><td>90</td><td>-</td><td>-</td><td>141,0</td><td>175,0</td><td>-</td><td>-</td><td>-</td><td>-</td><td>-</td><td>184,0</td><td>-</td></tr> <tr><td>94</td><td>-</td><td>-</td><td>130,0</td><td>160,0</td><td>-</td><td>-</td><td>-</td><td>-</td><td>-</td><td>175,0</td><td>-</td></tr> <tr><td>98</td><td>-</td><td>-</td><td>120,0</td><td>147,0</td><td>-</td><td>-</td><td>-</td><td>-</td><td>-</td><td>159,0</td><td>-</td></tr> <tr><td>102</td><td>-</td><td>-</td><td>-</td><td>135,0</td><td>-</td><td>-</td><td>-</td><td>-</td><td>-</td><td>145,0</td><td>-</td></tr> <tr><td>104</td><td>-</td><td>-</td><td>-</td><td>130,0</td><td>139,0</td><td>-</td><td>-</td><td>-</td><td>-</td><td>138,0</td><td>-</td></tr> <tr><td>106</td><td>-</td><td>-</td><td>-</td><td>125,0</td><td>135,0</td><td>-</td><td>-</td><td>-</td><td>-</td><td>131,0</td><td>-</td></tr> <tr><td>108</td><td>-</td><td>-</td><td>-</td><td>120,0</td><td>131,0</td><td>-</td><td>-</td><td>-</td><td>-</td><td>124,5</td><td>-</td></tr> <tr><td>110</td><td>-</td><td>-</td><td>-</td><td>-</td><td>127,0</td><td>-</td><td>-</td><td>-</td><td>-</td><td>118,0</td><td>-</td></tr> <tr><td>114</td><td>-</td><td>-</td><td>-</td><td>-</td><td>121,0</td><td>-</td><td>-</td><td>-</td><td>-</td><td>105,0</td><td>-</td></tr> <tr><td>118</td><td>-</td><td>-</td><td>-</td><td>-</td><td>115,0</td><td>-</td><td>-</td><td>-</td><td>-</td><td>96,0</td><td>-</td></tr> <tr><td>120</td><td>-</td><td>-</td><td>-</td><td>-</td><td>-</td><td>93,5</td><td>92,7</td><td>-</td><td>-</td><td>-</td><td>-</td></tr> <tr><td>122</td><td>-</td><td>-</td><td>-</td><td>-</td><td>-</td><td>91,5</td><td>89,5</td><td>-</td><td>-</td><td>-</td><td>-</td></tr> <tr><td>126</td><td>-</td><td>-</td><td>-</td><td>-</td><td>-</td><td>87,0</td><td>79,0</td><td>-</td><td>-</td><td>-</td><td>-</td></tr> <tr><td>130</td><td>-</td><td>-</td><td>-</td><td>-</td><td>-</td><td>-</td><td>68,0</td><td>-</td><td>-</td><td>-</td><td>-</td></tr> <tr><td>134</td><td>-</td><td>-</td><td>-</td><td>-</td><td>-</td><td>-</td><td>57,0</td><td>-</td><td>-</td><td>-</td><td>-</td></tr> </tbody> </table> |       |             |       |        |       |             |      |      |   |       |   | SWSL |  |  |  |  |  |  |  |  |  | SFSL |  | 0 t |  | 0 t - 640 t |  |  |  |  |  |  |  |  |  |  | 85° | 85° | 75° | 65° | 55° | 45° |  |  |  |  |  | m | t | t | t | t | t | t | t | t | t | t | t | 32 | - | 237,0* | - | - | - | - | - | - | - | - | - | 34 | - | 236,0* | - | - | - | - | - | - | - | - | - | 38 | - | 230,0* | - | - | - | - | - | - | - | - | - | 40 | 123,0 | 244,0 | - | - | - | - | - | - | - | 240,0 | - | 42 | 116,0 | 243,0 | - | - | - | - | - | - | - | 240,0 | - | 46 | 103,0 | 240,0 | - | - | - | - | - | - | - | 240,0 | - | 50 | 92,0 | 236,0 | - | - | - | - | - | - | - | 240,0 | - | 54 | 82,5 | 232,0 | - | - | - | - | - | - | - | 240,0 | - | 58 | 74,0 | 228,0 | - | - | - | - | - | - | - | 240,0 | - | 62 | 67,0 | 210,0 | - | - | - | - | - | - | - | 235,0 | - | 64 | 63,5 | 200,0 | 242,0 | - | - | - | - | - | - | 232,0 | - | 66 | 59,5 | 190,0 | 242,0 | - | - | - | - | - | - | 229,0 | - | 70 | 52,5 | 173,0 | 223,0 | - | - | - | - | - | - | 223,0 | - | 74 | 46,7 | 159,0 | 202,0 | - | - | - | - | - | - | 217,0 | - | 78 | 41,3 | 146,0 | 183,0 | - | - | - | - | - | - | 211,0 | - | 82 | 36,5 | 133,0 | 167,0 | - | - | - | - | - | - | 204,0 | - | 86 | 32,3 | 117,5 | 153,0 | 192,0 | - | - | - | - | - | 193,0 | - | 88 | 30,4 | 109,0 | 147,0 | 183,0 | - | - | - | - | - | 188,5 | - | 90 | - | - | 141,0 | 175,0 | - | - | - | - | - | 184,0 | - | 94 | - | - | 130,0 | 160,0 | - | - | - | - | - | 175,0 | - | 98 | - | - | 120,0 | 147,0 | - | - | - | - | - | 159,0 | - | 102 | - | - | - | 135,0 | - | - | - | - | - | 145,0 | - | 104 | - | - | - | 130,0 | 139,0 | - | - | - | - | 138,0 | - | 106 | - | - | - | 125,0 | 135,0 | - | - | - | - | 131,0 | - | 108 | - | - | - | 120,0 | 131,0 | - | - | - | - | 124,5 | - | 110 | - | - | - | - | 127,0 | - | - | - | - | 118,0 | - | 114 | - | - | - | - | 121,0 | - | - | - | - | 105,0 | - | 118 | - | - | - | - | 115,0 | - | - | - | - | 96,0 | - | 120 | - | - | - | - | - | 93,5 | 92,7 | - | - | - | - | 122 | - | - | - | - | - | 91,5 | 89,5 | - | - | - | - | 126 | - | - | - | - | - | 87,0 | 79,0 | - | - | - | - | 130 | - | - | - | - | - | - | 68,0 | - | - | - | - | 134 | - | - | - | - | - | - | 57,0 | - | - | - | - |
| SWSL  |       |             |       |        |       |             |      |      |   | SFSL  |   |      |  |  |  |  |  |  |  |  |  |      |  |     |  |             |  |  |  |  |  |  |  |  |  |  |     |     |     |     |     |     |  |  |  |  |  |   |   |   |   |   |   |   |   |   |   |   |   |    |   |        |   |   |   |   |   |   |   |   |   |    |   |        |   |   |   |   |   |   |   |   |   |    |   |        |   |   |   |   |   |   |   |   |   |    |       |       |   |   |   |   |   |   |   |       |   |    |       |       |   |   |   |   |   |   |   |       |   |    |       |       |   |   |   |   |   |   |   |       |   |    |      |       |   |   |   |   |   |   |   |       |   |    |      |       |   |   |   |   |   |   |   |       |   |    |      |       |   |   |   |   |   |   |   |       |   |    |      |       |   |   |   |   |   |   |   |       |   |    |      |       |       |   |   |   |   |   |   |       |   |    |      |       |       |   |   |   |   |   |   |       |   |    |      |       |       |   |   |   |   |   |   |       |   |    |      |       |       |   |   |   |   |   |   |       |   |    |      |       |       |   |   |   |   |   |   |       |   |    |      |       |       |   |   |   |   |   |   |       |   |    |      |       |       |       |   |   |   |   |   |       |   |    |      |       |       |       |   |   |   |   |   |       |   |    |   |   |       |       |   |   |   |   |   |       |   |    |   |   |       |       |   |   |   |   |   |       |   |    |   |   |       |       |   |   |   |   |   |       |   |     |   |   |   |       |   |   |   |   |   |       |   |     |   |   |   |       |       |   |   |   |   |       |   |     |   |   |   |       |       |   |   |   |   |       |   |     |   |   |   |       |       |   |   |   |   |       |   |     |   |   |   |   |       |   |   |   |   |       |   |     |   |   |   |   |       |   |   |   |   |       |   |     |   |   |   |   |       |   |   |   |   |      |   |     |   |   |   |   |   |      |      |   |   |   |   |     |   |   |   |   |   |      |      |   |   |   |   |     |   |   |   |   |   |      |      |   |   |   |   |     |   |   |   |   |   |   |      |   |   |   |   |     |   |   |   |   |   |   |      |   |   |   |   |
| 0 t   |       | 0 t - 640 t |       |        |       |             |      |      |   |       |   |      |  |  |  |  |  |  |  |  |  |      |  |     |  |             |  |  |  |  |  |  |  |  |  |  |     |     |     |     |     |     |  |  |  |  |  |   |   |   |   |   |   |   |   |   |   |   |   |    |   |        |   |   |   |   |   |   |   |   |   |    |   |        |   |   |   |   |   |   |   |   |   |    |   |        |   |   |   |   |   |   |   |   |   |    |       |       |   |   |   |   |   |   |   |       |   |    |       |       |   |   |   |   |   |   |   |       |   |    |       |       |   |   |   |   |   |   |   |       |   |    |      |       |   |   |   |   |   |   |   |       |   |    |      |       |   |   |   |   |   |   |   |       |   |    |      |       |   |   |   |   |   |   |   |       |   |    |      |       |   |   |   |   |   |   |   |       |   |    |      |       |       |   |   |   |   |   |   |       |   |    |      |       |       |   |   |   |   |   |   |       |   |    |      |       |       |   |   |   |   |   |   |       |   |    |      |       |       |   |   |   |   |   |   |       |   |    |      |       |       |   |   |   |   |   |   |       |   |    |      |       |       |   |   |   |   |   |   |       |   |    |      |       |       |       |   |   |   |   |   |       |   |    |      |       |       |       |   |   |   |   |   |       |   |    |   |   |       |       |   |   |   |   |   |       |   |    |   |   |       |       |   |   |   |   |   |       |   |    |   |   |       |       |   |   |   |   |   |       |   |     |   |   |   |       |   |   |   |   |   |       |   |     |   |   |   |       |       |   |   |   |   |       |   |     |   |   |   |       |       |   |   |   |   |       |   |     |   |   |   |       |       |   |   |   |   |       |   |     |   |   |   |   |       |   |   |   |   |       |   |     |   |   |   |   |       |   |   |   |   |       |   |     |   |   |   |   |       |   |   |   |   |      |   |     |   |   |   |   |   |      |      |   |   |   |   |     |   |   |   |   |   |      |      |   |   |   |   |     |   |   |   |   |   |      |      |   |   |   |   |     |   |   |   |   |   |   |      |   |   |   |   |     |   |   |   |   |   |   |      |   |   |   |   |
|   | 85°   | 85°         | 75°   | 65°    | 55°   | 45°         |      |      |   |       |   |      |  |  |  |  |  |  |  |  |  |      |  |     |  |             |  |  |  |  |  |  |  |  |  |  |     |     |     |     |     |     |  |  |  |  |  |   |   |   |   |   |   |   |   |   |   |   |   |    |   |        |   |   |   |   |   |   |   |   |   |    |   |        |   |   |   |   |   |   |   |   |   |    |   |        |   |   |   |   |   |   |   |   |   |    |       |       |   |   |   |   |   |   |   |       |   |    |       |       |   |   |   |   |   |   |   |       |   |    |       |       |   |   |   |   |   |   |   |       |   |    |      |       |   |   |   |   |   |   |   |       |   |    |      |       |   |   |   |   |   |   |   |       |   |    |      |       |   |   |   |   |   |   |   |       |   |    |      |       |   |   |   |   |   |   |   |       |   |    |      |       |       |   |   |   |   |   |   |       |   |    |      |       |       |   |   |   |   |   |   |       |   |    |      |       |       |   |   |   |   |   |   |       |   |    |      |       |       |   |   |   |   |   |   |       |   |    |      |       |       |   |   |   |   |   |   |       |   |    |      |       |       |   |   |   |   |   |   |       |   |    |      |       |       |       |   |   |   |   |   |       |   |    |      |       |       |       |   |   |   |   |   |       |   |    |   |   |       |       |   |   |   |   |   |       |   |    |   |   |       |       |   |   |   |   |   |       |   |    |   |   |       |       |   |   |   |   |   |       |   |     |   |   |   |       |   |   |   |   |   |       |   |     |   |   |   |       |       |   |   |   |   |       |   |     |   |   |   |       |       |   |   |   |   |       |   |     |   |   |   |       |       |   |   |   |   |       |   |     |   |   |   |   |       |   |   |   |   |       |   |     |   |   |   |   |       |   |   |   |   |       |   |     |   |   |   |   |       |   |   |   |   |      |   |     |   |   |   |   |   |      |      |   |   |   |   |     |   |   |   |   |   |      |      |   |   |   |   |     |   |   |   |   |   |      |      |   |   |   |   |     |   |   |   |   |   |   |      |   |   |   |   |     |   |   |   |   |   |   |      |   |   |   |   |
| m   | t     | t           | t     | t      | t     | t           | t    | t    | t | t     | t |      |  |  |  |  |  |  |  |  |  |      |  |     |  |             |  |  |  |  |  |  |  |  |  |  |     |     |     |     |     |     |  |  |  |  |  |   |   |   |   |   |   |   |   |   |   |   |   |    |   |        |   |   |   |   |   |   |   |   |   |    |   |        |   |   |   |   |   |   |   |   |   |    |   |        |   |   |   |   |   |   |   |   |   |    |       |       |   |   |   |   |   |   |   |       |   |    |       |       |   |   |   |   |   |   |   |       |   |    |       |       |   |   |   |   |   |   |   |       |   |    |      |       |   |   |   |   |   |   |   |       |   |    |      |       |   |   |   |   |   |   |   |       |   |    |      |       |   |   |   |   |   |   |   |       |   |    |      |       |   |   |   |   |   |   |   |       |   |    |      |       |       |   |   |   |   |   |   |       |   |    |      |       |       |   |   |   |   |   |   |       |   |    |      |       |       |   |   |   |   |   |   |       |   |    |      |       |       |   |   |   |   |   |   |       |   |    |      |       |       |   |   |   |   |   |   |       |   |    |      |       |       |   |   |   |   |   |   |       |   |    |      |       |       |       |   |   |   |   |   |       |   |    |      |       |       |       |   |   |   |   |   |       |   |    |   |   |       |       |   |   |   |   |   |       |   |    |   |   |       |       |   |   |   |   |   |       |   |    |   |   |       |       |   |   |   |   |   |       |   |     |   |   |   |       |   |   |   |   |   |       |   |     |   |   |   |       |       |   |   |   |   |       |   |     |   |   |   |       |       |   |   |   |   |       |   |     |   |   |   |       |       |   |   |   |   |       |   |     |   |   |   |   |       |   |   |   |   |       |   |     |   |   |   |   |       |   |   |   |   |       |   |     |   |   |   |   |       |   |   |   |   |      |   |     |   |   |   |   |   |      |      |   |   |   |   |     |   |   |   |   |   |      |      |   |   |   |   |     |   |   |   |   |   |      |      |   |   |   |   |     |   |   |   |   |   |   |      |   |   |   |   |     |   |   |   |   |   |   |      |   |   |   |   |
| 32  | -     | 237,0*      | -     | -      | -     | -           | -    | -    | - | -     | - |      |  |  |  |  |  |  |  |  |  |      |  |     |  |             |  |  |  |  |  |  |  |  |  |  |     |     |     |     |     |     |  |  |  |  |  |   |   |   |   |   |   |   |   |   |   |   |   |    |   |        |   |   |   |   |   |   |   |   |   |    |   |        |   |   |   |   |   |   |   |   |   |    |   |        |   |   |   |   |   |   |   |   |   |    |       |       |   |   |   |   |   |   |   |       |   |    |       |       |   |   |   |   |   |   |   |       |   |    |       |       |   |   |   |   |   |   |   |       |   |    |      |       |   |   |   |   |   |   |   |       |   |    |      |       |   |   |   |   |   |   |   |       |   |    |      |       |   |   |   |   |   |   |   |       |   |    |      |       |   |   |   |   |   |   |   |       |   |    |      |       |       |   |   |   |   |   |   |       |   |    |      |       |       |   |   |   |   |   |   |       |   |    |      |       |       |   |   |   |   |   |   |       |   |    |      |       |       |   |   |   |   |   |   |       |   |    |      |       |       |   |   |   |   |   |   |       |   |    |      |       |       |   |   |   |   |   |   |       |   |    |      |       |       |       |   |   |   |   |   |       |   |    |      |       |       |       |   |   |   |   |   |       |   |    |   |   |       |       |   |   |   |   |   |       |   |    |   |   |       |       |   |   |   |   |   |       |   |    |   |   |       |       |   |   |   |   |   |       |   |     |   |   |   |       |   |   |   |   |   |       |   |     |   |   |   |       |       |   |   |   |   |       |   |     |   |   |   |       |       |   |   |   |   |       |   |     |   |   |   |       |       |   |   |   |   |       |   |     |   |   |   |   |       |   |   |   |   |       |   |     |   |   |   |   |       |   |   |   |   |       |   |     |   |   |   |   |       |   |   |   |   |      |   |     |   |   |   |   |   |      |      |   |   |   |   |     |   |   |   |   |   |      |      |   |   |   |   |     |   |   |   |   |   |      |      |   |   |   |   |     |   |   |   |   |   |   |      |   |   |   |   |     |   |   |   |   |   |   |      |   |   |   |   |
| 34  | -     | 236,0*      | -     | -      | -     | -           | -    | -    | - | -     | - |      |  |  |  |  |  |  |  |  |  |      |  |     |  |             |  |  |  |  |  |  |  |  |  |  |     |     |     |     |     |     |  |  |  |  |  |   |   |   |   |   |   |   |   |   |   |   |   |    |   |        |   |   |   |   |   |   |   |   |   |    |   |        |   |   |   |   |   |   |   |   |   |    |   |        |   |   |   |   |   |   |   |   |   |    |       |       |   |   |   |   |   |   |   |       |   |    |       |       |   |   |   |   |   |   |   |       |   |    |       |       |   |   |   |   |   |   |   |       |   |    |      |       |   |   |   |   |   |   |   |       |   |    |      |       |   |   |   |   |   |   |   |       |   |    |      |       |   |   |   |   |   |   |   |       |   |    |      |       |   |   |   |   |   |   |   |       |   |    |      |       |       |   |   |   |   |   |   |       |   |    |      |       |       |   |   |   |   |   |   |       |   |    |      |       |       |   |   |   |   |   |   |       |   |    |      |       |       |   |   |   |   |   |   |       |   |    |      |       |       |   |   |   |   |   |   |       |   |    |      |       |       |   |   |   |   |   |   |       |   |    |      |       |       |       |   |   |   |   |   |       |   |    |      |       |       |       |   |   |   |   |   |       |   |    |   |   |       |       |   |   |   |   |   |       |   |    |   |   |       |       |   |   |   |   |   |       |   |    |   |   |       |       |   |   |   |   |   |       |   |     |   |   |   |       |   |   |   |   |   |       |   |     |   |   |   |       |       |   |   |   |   |       |   |     |   |   |   |       |       |   |   |   |   |       |   |     |   |   |   |       |       |   |   |   |   |       |   |     |   |   |   |   |       |   |   |   |   |       |   |     |   |   |   |   |       |   |   |   |   |       |   |     |   |   |   |   |       |   |   |   |   |      |   |     |   |   |   |   |   |      |      |   |   |   |   |     |   |   |   |   |   |      |      |   |   |   |   |     |   |   |   |   |   |      |      |   |   |   |   |     |   |   |   |   |   |   |      |   |   |   |   |     |   |   |   |   |   |   |      |   |   |   |   |
| 38  | -     | 230,0*      | -     | -      | -     | -           | -    | -    | - | -     | - |      |  |  |  |  |  |  |  |  |  |      |  |     |  |             |  |  |  |  |  |  |  |  |  |  |     |     |     |     |     |     |  |  |  |  |  |   |   |   |   |   |   |   |   |   |   |   |   |    |   |        |   |   |   |   |   |   |   |   |   |    |   |        |   |   |   |   |   |   |   |   |   |    |   |        |   |   |   |   |   |   |   |   |   |    |       |       |   |   |   |   |   |   |   |       |   |    |       |       |   |   |   |   |   |   |   |       |   |    |       |       |   |   |   |   |   |   |   |       |   |    |      |       |   |   |   |   |   |   |   |       |   |    |      |       |   |   |   |   |   |   |   |       |   |    |      |       |   |   |   |   |   |   |   |       |   |    |      |       |   |   |   |   |   |   |   |       |   |    |      |       |       |   |   |   |   |   |   |       |   |    |      |       |       |   |   |   |   |   |   |       |   |    |      |       |       |   |   |   |   |   |   |       |   |    |      |       |       |   |   |   |   |   |   |       |   |    |      |       |       |   |   |   |   |   |   |       |   |    |      |       |       |   |   |   |   |   |   |       |   |    |      |       |       |       |   |   |   |   |   |       |   |    |      |       |       |       |   |   |   |   |   |       |   |    |   |   |       |       |   |   |   |   |   |       |   |    |   |   |       |       |   |   |   |   |   |       |   |    |   |   |       |       |   |   |   |   |   |       |   |     |   |   |   |       |   |   |   |   |   |       |   |     |   |   |   |       |       |   |   |   |   |       |   |     |   |   |   |       |       |   |   |   |   |       |   |     |   |   |   |       |       |   |   |   |   |       |   |     |   |   |   |   |       |   |   |   |   |       |   |     |   |   |   |   |       |   |   |   |   |       |   |     |   |   |   |   |       |   |   |   |   |      |   |     |   |   |   |   |   |      |      |   |   |   |   |     |   |   |   |   |   |      |      |   |   |   |   |     |   |   |   |   |   |      |      |   |   |   |   |     |   |   |   |   |   |   |      |   |   |   |   |     |   |   |   |   |   |   |      |   |   |   |   |
| 40  | 123,0 | 244,0       | -     | -      | -     | -           | -    | -    | - | 240,0 | - |      |  |  |  |  |  |  |  |  |  |      |  |     |  |             |  |  |  |  |  |  |  |  |  |  |     |     |     |     |     |     |  |  |  |  |  |   |   |   |   |   |   |   |   |   |   |   |   |    |   |        |   |   |   |   |   |   |   |   |   |    |   |        |   |   |   |   |   |   |   |   |   |    |   |        |   |   |   |   |   |   |   |   |   |    |       |       |   |   |   |   |   |   |   |       |   |    |       |       |   |   |   |   |   |   |   |       |   |    |       |       |   |   |   |   |   |   |   |       |   |    |      |       |   |   |   |   |   |   |   |       |   |    |      |       |   |   |   |   |   |   |   |       |   |    |      |       |   |   |   |   |   |   |   |       |   |    |      |       |   |   |   |   |   |   |   |       |   |    |      |       |       |   |   |   |   |   |   |       |   |    |      |       |       |   |   |   |   |   |   |       |   |    |      |       |       |   |   |   |   |   |   |       |   |    |      |       |       |   |   |   |   |   |   |       |   |    |      |       |       |   |   |   |   |   |   |       |   |    |      |       |       |   |   |   |   |   |   |       |   |    |      |       |       |       |   |   |   |   |   |       |   |    |      |       |       |       |   |   |   |   |   |       |   |    |   |   |       |       |   |   |   |   |   |       |   |    |   |   |       |       |   |   |   |   |   |       |   |    |   |   |       |       |   |   |   |   |   |       |   |     |   |   |   |       |   |   |   |   |   |       |   |     |   |   |   |       |       |   |   |   |   |       |   |     |   |   |   |       |       |   |   |   |   |       |   |     |   |   |   |       |       |   |   |   |   |       |   |     |   |   |   |   |       |   |   |   |   |       |   |     |   |   |   |   |       |   |   |   |   |       |   |     |   |   |   |   |       |   |   |   |   |      |   |     |   |   |   |   |   |      |      |   |   |   |   |     |   |   |   |   |   |      |      |   |   |   |   |     |   |   |   |   |   |      |      |   |   |   |   |     |   |   |   |   |   |   |      |   |   |   |   |     |   |   |   |   |   |   |      |   |   |   |   |
| 42  | 116,0 | 243,0       | -     | -      | -     | -           | -    | -    | - | 240,0 | - |      |  |  |  |  |  |  |  |  |  |      |  |     |  |             |  |  |  |  |  |  |  |  |  |  |     |     |     |     |     |     |  |  |  |  |  |   |   |   |   |   |   |   |   |   |   |   |   |    |   |        |   |   |   |   |   |   |   |   |   |    |   |        |   |   |   |   |   |   |   |   |   |    |   |        |   |   |   |   |   |   |   |   |   |    |       |       |   |   |   |   |   |   |   |       |   |    |       |       |   |   |   |   |   |   |   |       |   |    |       |       |   |   |   |   |   |   |   |       |   |    |      |       |   |   |   |   |   |   |   |       |   |    |      |       |   |   |   |   |   |   |   |       |   |    |      |       |   |   |   |   |   |   |   |       |   |    |      |       |   |   |   |   |   |   |   |       |   |    |      |       |       |   |   |   |   |   |   |       |   |    |      |       |       |   |   |   |   |   |   |       |   |    |      |       |       |   |   |   |   |   |   |       |   |    |      |       |       |   |   |   |   |   |   |       |   |    |      |       |       |   |   |   |   |   |   |       |   |    |      |       |       |   |   |   |   |   |   |       |   |    |      |       |       |       |   |   |   |   |   |       |   |    |      |       |       |       |   |   |   |   |   |       |   |    |   |   |       |       |   |   |   |   |   |       |   |    |   |   |       |       |   |   |   |   |   |       |   |    |   |   |       |       |   |   |   |   |   |       |   |     |   |   |   |       |   |   |   |   |   |       |   |     |   |   |   |       |       |   |   |   |   |       |   |     |   |   |   |       |       |   |   |   |   |       |   |     |   |   |   |       |       |   |   |   |   |       |   |     |   |   |   |   |       |   |   |   |   |       |   |     |   |   |   |   |       |   |   |   |   |       |   |     |   |   |   |   |       |   |   |   |   |      |   |     |   |   |   |   |   |      |      |   |   |   |   |     |   |   |   |   |   |      |      |   |   |   |   |     |   |   |   |   |   |      |      |   |   |   |   |     |   |   |   |   |   |   |      |   |   |   |   |     |   |   |   |   |   |   |      |   |   |   |   |
| 46  | 103,0 | 240,0       | -     | -      | -     | -           | -    | -    | - | 240,0 | - |      |  |  |  |  |  |  |  |  |  |      |  |     |  |             |  |  |  |  |  |  |  |  |  |  |     |     |     |     |     |     |  |  |  |  |  |   |   |   |   |   |   |   |   |   |   |   |   |    |   |        |   |   |   |   |   |   |   |   |   |    |   |        |   |   |   |   |   |   |   |   |   |    |   |        |   |   |   |   |   |   |   |   |   |    |       |       |   |   |   |   |   |   |   |       |   |    |       |       |   |   |   |   |   |   |   |       |   |    |       |       |   |   |   |   |   |   |   |       |   |    |      |       |   |   |   |   |   |   |   |       |   |    |      |       |   |   |   |   |   |   |   |       |   |    |      |       |   |   |   |   |   |   |   |       |   |    |      |       |   |   |   |   |   |   |   |       |   |    |      |       |       |   |   |   |   |   |   |       |   |    |      |       |       |   |   |   |   |   |   |       |   |    |      |       |       |   |   |   |   |   |   |       |   |    |      |       |       |   |   |   |   |   |   |       |   |    |      |       |       |   |   |   |   |   |   |       |   |    |      |       |       |   |   |   |   |   |   |       |   |    |      |       |       |       |   |   |   |   |   |       |   |    |      |       |       |       |   |   |   |   |   |       |   |    |   |   |       |       |   |   |   |   |   |       |   |    |   |   |       |       |   |   |   |   |   |       |   |    |   |   |       |       |   |   |   |   |   |       |   |     |   |   |   |       |   |   |   |   |   |       |   |     |   |   |   |       |       |   |   |   |   |       |   |     |   |   |   |       |       |   |   |   |   |       |   |     |   |   |   |       |       |   |   |   |   |       |   |     |   |   |   |   |       |   |   |   |   |       |   |     |   |   |   |   |       |   |   |   |   |       |   |     |   |   |   |   |       |   |   |   |   |      |   |     |   |   |   |   |   |      |      |   |   |   |   |     |   |   |   |   |   |      |      |   |   |   |   |     |   |   |   |   |   |      |      |   |   |   |   |     |   |   |   |   |   |   |      |   |   |   |   |     |   |   |   |   |   |   |      |   |   |   |   |
| 50  | 92,0  | 236,0       | -     | -      | -     | -           | -    | -    | - | 240,0 | - |      |  |  |  |  |  |  |  |  |  |      |  |     |  |             |  |  |  |  |  |  |  |  |  |  |     |     |     |     |     |     |  |  |  |  |  |   |   |   |   |   |   |   |   |   |   |   |   |    |   |        |   |   |   |   |   |   |   |   |   |    |   |        |   |   |   |   |   |   |   |   |   |    |   |        |   |   |   |   |   |   |   |   |   |    |       |       |   |   |   |   |   |   |   |       |   |    |       |       |   |   |   |   |   |   |   |       |   |    |       |       |   |   |   |   |   |   |   |       |   |    |      |       |   |   |   |   |   |   |   |       |   |    |      |       |   |   |   |   |   |   |   |       |   |    |      |       |   |   |   |   |   |   |   |       |   |    |      |       |   |   |   |   |   |   |   |       |   |    |      |       |       |   |   |   |   |   |   |       |   |    |      |       |       |   |   |   |   |   |   |       |   |    |      |       |       |   |   |   |   |   |   |       |   |    |      |       |       |   |   |   |   |   |   |       |   |    |      |       |       |   |   |   |   |   |   |       |   |    |      |       |       |   |   |   |   |   |   |       |   |    |      |       |       |       |   |   |   |   |   |       |   |    |      |       |       |       |   |   |   |   |   |       |   |    |   |   |       |       |   |   |   |   |   |       |   |    |   |   |       |       |   |   |   |   |   |       |   |    |   |   |       |       |   |   |   |   |   |       |   |     |   |   |   |       |   |   |   |   |   |       |   |     |   |   |   |       |       |   |   |   |   |       |   |     |   |   |   |       |       |   |   |   |   |       |   |     |   |   |   |       |       |   |   |   |   |       |   |     |   |   |   |   |       |   |   |   |   |       |   |     |   |   |   |   |       |   |   |   |   |       |   |     |   |   |   |   |       |   |   |   |   |      |   |     |   |   |   |   |   |      |      |   |   |   |   |     |   |   |   |   |   |      |      |   |   |   |   |     |   |   |   |   |   |      |      |   |   |   |   |     |   |   |   |   |   |   |      |   |   |   |   |     |   |   |   |   |   |   |      |   |   |   |   |
| 54  | 82,5  | 232,0       | -     | -      | -     | -           | -    | -    | - | 240,0 | - |      |  |  |  |  |  |  |  |  |  |      |  |     |  |             |  |  |  |  |  |  |  |  |  |  |     |     |     |     |     |     |  |  |  |  |  |   |   |   |   |   |   |   |   |   |   |   |   |    |   |        |   |   |   |   |   |   |   |   |   |    |   |        |   |   |   |   |   |   |   |   |   |    |   |        |   |   |   |   |   |   |   |   |   |    |       |       |   |   |   |   |   |   |   |       |   |    |       |       |   |   |   |   |   |   |   |       |   |    |       |       |   |   |   |   |   |   |   |       |   |    |      |       |   |   |   |   |   |   |   |       |   |    |      |       |   |   |   |   |   |   |   |       |   |    |      |       |   |   |   |   |   |   |   |       |   |    |      |       |   |   |   |   |   |   |   |       |   |    |      |       |       |   |   |   |   |   |   |       |   |    |      |       |       |   |   |   |   |   |   |       |   |    |      |       |       |   |   |   |   |   |   |       |   |    |      |       |       |   |   |   |   |   |   |       |   |    |      |       |       |   |   |   |   |   |   |       |   |    |      |       |       |   |   |   |   |   |   |       |   |    |      |       |       |       |   |   |   |   |   |       |   |    |      |       |       |       |   |   |   |   |   |       |   |    |   |   |       |       |   |   |   |   |   |       |   |    |   |   |       |       |   |   |   |   |   |       |   |    |   |   |       |       |   |   |   |   |   |       |   |     |   |   |   |       |   |   |   |   |   |       |   |     |   |   |   |       |       |   |   |   |   |       |   |     |   |   |   |       |       |   |   |   |   |       |   |     |   |   |   |       |       |   |   |   |   |       |   |     |   |   |   |   |       |   |   |   |   |       |   |     |   |   |   |   |       |   |   |   |   |       |   |     |   |   |   |   |       |   |   |   |   |      |   |     |   |   |   |   |   |      |      |   |   |   |   |     |   |   |   |   |   |      |      |   |   |   |   |     |   |   |   |   |   |      |      |   |   |   |   |     |   |   |   |   |   |   |      |   |   |   |   |     |   |   |   |   |   |   |      |   |   |   |   |
| 58  | 74,0  | 228,0       | -     | -      | -     | -           | -    | -    | - | 240,0 | - |      |  |  |  |  |  |  |  |  |  |      |  |     |  |             |  |  |  |  |  |  |  |  |  |  |     |     |     |     |     |     |  |  |  |  |  |   |   |   |   |   |   |   |   |   |   |   |   |    |   |        |   |   |   |   |   |   |   |   |   |    |   |        |   |   |   |   |   |   |   |   |   |    |   |        |   |   |   |   |   |   |   |   |   |    |       |       |   |   |   |   |   |   |   |       |   |    |       |       |   |   |   |   |   |   |   |       |   |    |       |       |   |   |   |   |   |   |   |       |   |    |      |       |   |   |   |   |   |   |   |       |   |    |      |       |   |   |   |   |   |   |   |       |   |    |      |       |   |   |   |   |   |   |   |       |   |    |      |       |   |   |   |   |   |   |   |       |   |    |      |       |       |   |   |   |   |   |   |       |   |    |      |       |       |   |   |   |   |   |   |       |   |    |      |       |       |   |   |   |   |   |   |       |   |    |      |       |       |   |   |   |   |   |   |       |   |    |      |       |       |   |   |   |   |   |   |       |   |    |      |       |       |   |   |   |   |   |   |       |   |    |      |       |       |       |   |   |   |   |   |       |   |    |      |       |       |       |   |   |   |   |   |       |   |    |   |   |       |       |   |   |   |   |   |       |   |    |   |   |       |       |   |   |   |   |   |       |   |    |   |   |       |       |   |   |   |   |   |       |   |     |   |   |   |       |   |   |   |   |   |       |   |     |   |   |   |       |       |   |   |   |   |       |   |     |   |   |   |       |       |   |   |   |   |       |   |     |   |   |   |       |       |   |   |   |   |       |   |     |   |   |   |   |       |   |   |   |   |       |   |     |   |   |   |   |       |   |   |   |   |       |   |     |   |   |   |   |       |   |   |   |   |      |   |     |   |   |   |   |   |      |      |   |   |   |   |     |   |   |   |   |   |      |      |   |   |   |   |     |   |   |   |   |   |      |      |   |   |   |   |     |   |   |   |   |   |   |      |   |   |   |   |     |   |   |   |   |   |   |      |   |   |   |   |
| 62  | 67,0  | 210,0       | -     | -      | -     | -           | -    | -    | - | 235,0 | - |      |  |  |  |  |  |  |  |  |  |      |  |     |  |             |  |  |  |  |  |  |  |  |  |  |     |     |     |     |     |     |  |  |  |  |  |   |   |   |   |   |   |   |   |   |   |   |   |    |   |        |   |   |   |   |   |   |   |   |   |    |   |        |   |   |   |   |   |   |   |   |   |    |   |        |   |   |   |   |   |   |   |   |   |    |       |       |   |   |   |   |   |   |   |       |   |    |       |       |   |   |   |   |   |   |   |       |   |    |       |       |   |   |   |   |   |   |   |       |   |    |      |       |   |   |   |   |   |   |   |       |   |    |      |       |   |   |   |   |   |   |   |       |   |    |      |       |   |   |   |   |   |   |   |       |   |    |      |       |   |   |   |   |   |   |   |       |   |    |      |       |       |   |   |   |   |   |   |       |   |    |      |       |       |   |   |   |   |   |   |       |   |    |      |       |       |   |   |   |   |   |   |       |   |    |      |       |       |   |   |   |   |   |   |       |   |    |      |       |       |   |   |   |   |   |   |       |   |    |      |       |       |   |   |   |   |   |   |       |   |    |      |       |       |       |   |   |   |   |   |       |   |    |      |       |       |       |   |   |   |   |   |       |   |    |   |   |       |       |   |   |   |   |   |       |   |    |   |   |       |       |   |   |   |   |   |       |   |    |   |   |       |       |   |   |   |   |   |       |   |     |   |   |   |       |   |   |   |   |   |       |   |     |   |   |   |       |       |   |   |   |   |       |   |     |   |   |   |       |       |   |   |   |   |       |   |     |   |   |   |       |       |   |   |   |   |       |   |     |   |   |   |   |       |   |   |   |   |       |   |     |   |   |   |   |       |   |   |   |   |       |   |     |   |   |   |   |       |   |   |   |   |      |   |     |   |   |   |   |   |      |      |   |   |   |   |     |   |   |   |   |   |      |      |   |   |   |   |     |   |   |   |   |   |      |      |   |   |   |   |     |   |   |   |   |   |   |      |   |   |   |   |     |   |   |   |   |   |   |      |   |   |   |   |
| 64  | 63,5  | 200,0       | 242,0 | -      | -     | -           | -    | -    | - | 232,0 | - |      |  |  |  |  |  |  |  |  |  |      |  |     |  |             |  |  |  |  |  |  |  |  |  |  |     |     |     |     |     |     |  |  |  |  |  |   |   |   |   |   |   |   |   |   |   |   |   |    |   |        |   |   |   |   |   |   |   |   |   |    |   |        |   |   |   |   |   |   |   |   |   |    |   |        |   |   |   |   |   |   |   |   |   |    |       |       |   |   |   |   |   |   |   |       |   |    |       |       |   |   |   |   |   |   |   |       |   |    |       |       |   |   |   |   |   |   |   |       |   |    |      |       |   |   |   |   |   |   |   |       |   |    |      |       |   |   |   |   |   |   |   |       |   |    |      |       |   |   |   |   |   |   |   |       |   |    |      |       |   |   |   |   |   |   |   |       |   |    |      |       |       |   |   |   |   |   |   |       |   |    |      |       |       |   |   |   |   |   |   |       |   |    |      |       |       |   |   |   |   |   |   |       |   |    |      |       |       |   |   |   |   |   |   |       |   |    |      |       |       |   |   |   |   |   |   |       |   |    |      |       |       |   |   |   |   |   |   |       |   |    |      |       |       |       |   |   |   |   |   |       |   |    |      |       |       |       |   |   |   |   |   |       |   |    |   |   |       |       |   |   |   |   |   |       |   |    |   |   |       |       |   |   |   |   |   |       |   |    |   |   |       |       |   |   |   |   |   |       |   |     |   |   |   |       |   |   |   |   |   |       |   |     |   |   |   |       |       |   |   |   |   |       |   |     |   |   |   |       |       |   |   |   |   |       |   |     |   |   |   |       |       |   |   |   |   |       |   |     |   |   |   |   |       |   |   |   |   |       |   |     |   |   |   |   |       |   |   |   |   |       |   |     |   |   |   |   |       |   |   |   |   |      |   |     |   |   |   |   |   |      |      |   |   |   |   |     |   |   |   |   |   |      |      |   |   |   |   |     |   |   |   |   |   |      |      |   |   |   |   |     |   |   |   |   |   |   |      |   |   |   |   |     |   |   |   |   |   |   |      |   |   |   |   |
| 66  | 59,5  | 190,0       | 242,0 | -      | -     | -           | -    | -    | - | 229,0 | - |      |  |  |  |  |  |  |  |  |  |      |  |     |  |             |  |  |  |  |  |  |  |  |  |  |     |     |     |     |     |     |  |  |  |  |  |   |   |   |   |   |   |   |   |   |   |   |   |    |   |        |   |   |   |   |   |   |   |   |   |    |   |        |   |   |   |   |   |   |   |   |   |    |   |        |   |   |   |   |   |   |   |   |   |    |       |       |   |   |   |   |   |   |   |       |   |    |       |       |   |   |   |   |   |   |   |       |   |    |       |       |   |   |   |   |   |   |   |       |   |    |      |       |   |   |   |   |   |   |   |       |   |    |      |       |   |   |   |   |   |   |   |       |   |    |      |       |   |   |   |   |   |   |   |       |   |    |      |       |   |   |   |   |   |   |   |       |   |    |      |       |       |   |   |   |   |   |   |       |   |    |      |       |       |   |   |   |   |   |   |       |   |    |      |       |       |   |   |   |   |   |   |       |   |    |      |       |       |   |   |   |   |   |   |       |   |    |      |       |       |   |   |   |   |   |   |       |   |    |      |       |       |   |   |   |   |   |   |       |   |    |      |       |       |       |   |   |   |   |   |       |   |    |      |       |       |       |   |   |   |   |   |       |   |    |   |   |       |       |   |   |   |   |   |       |   |    |   |   |       |       |   |   |   |   |   |       |   |    |   |   |       |       |   |   |   |   |   |       |   |     |   |   |   |       |   |   |   |   |   |       |   |     |   |   |   |       |       |   |   |   |   |       |   |     |   |   |   |       |       |   |   |   |   |       |   |     |   |   |   |       |       |   |   |   |   |       |   |     |   |   |   |   |       |   |   |   |   |       |   |     |   |   |   |   |       |   |   |   |   |       |   |     |   |   |   |   |       |   |   |   |   |      |   |     |   |   |   |   |   |      |      |   |   |   |   |     |   |   |   |   |   |      |      |   |   |   |   |     |   |   |   |   |   |      |      |   |   |   |   |     |   |   |   |   |   |   |      |   |   |   |   |     |   |   |   |   |   |   |      |   |   |   |   |
| 70  | 52,5  | 173,0       | 223,0 | -      | -     | -           | -    | -    | - | 223,0 | - |      |  |  |  |  |  |  |  |  |  |      |  |     |  |             |  |  |  |  |  |  |  |  |  |  |     |     |     |     |     |     |  |  |  |  |  |   |   |   |   |   |   |   |   |   |   |   |   |    |   |        |   |   |   |   |   |   |   |   |   |    |   |        |   |   |   |   |   |   |   |   |   |    |   |        |   |   |   |   |   |   |   |   |   |    |       |       |   |   |   |   |   |   |   |       |   |    |       |       |   |   |   |   |   |   |   |       |   |    |       |       |   |   |   |   |   |   |   |       |   |    |      |       |   |   |   |   |   |   |   |       |   |    |      |       |   |   |   |   |   |   |   |       |   |    |      |       |   |   |   |   |   |   |   |       |   |    |      |       |   |   |   |   |   |   |   |       |   |    |      |       |       |   |   |   |   |   |   |       |   |    |      |       |       |   |   |   |   |   |   |       |   |    |      |       |       |   |   |   |   |   |   |       |   |    |      |       |       |   |   |   |   |   |   |       |   |    |      |       |       |   |   |   |   |   |   |       |   |    |      |       |       |   |   |   |   |   |   |       |   |    |      |       |       |       |   |   |   |   |   |       |   |    |      |       |       |       |   |   |   |   |   |       |   |    |   |   |       |       |   |   |   |   |   |       |   |    |   |   |       |       |   |   |   |   |   |       |   |    |   |   |       |       |   |   |   |   |   |       |   |     |   |   |   |       |   |   |   |   |   |       |   |     |   |   |   |       |       |   |   |   |   |       |   |     |   |   |   |       |       |   |   |   |   |       |   |     |   |   |   |       |       |   |   |   |   |       |   |     |   |   |   |   |       |   |   |   |   |       |   |     |   |   |   |   |       |   |   |   |   |       |   |     |   |   |   |   |       |   |   |   |   |      |   |     |   |   |   |   |   |      |      |   |   |   |   |     |   |   |   |   |   |      |      |   |   |   |   |     |   |   |   |   |   |      |      |   |   |   |   |     |   |   |   |   |   |   |      |   |   |   |   |     |   |   |   |   |   |   |      |   |   |   |   |
| 74  | 46,7  | 159,0       | 202,0 | -      | -     | -           | -    | -    | - | 217,0 | - |      |  |  |  |  |  |  |  |  |  |      |  |     |  |             |  |  |  |  |  |  |  |  |  |  |     |     |     |     |     |     |  |  |  |  |  |   |   |   |   |   |   |   |   |   |   |   |   |    |   |        |   |   |   |   |   |   |   |   |   |    |   |        |   |   |   |   |   |   |   |   |   |    |   |        |   |   |   |   |   |   |   |   |   |    |       |       |   |   |   |   |   |   |   |       |   |    |       |       |   |   |   |   |   |   |   |       |   |    |       |       |   |   |   |   |   |   |   |       |   |    |      |       |   |   |   |   |   |   |   |       |   |    |      |       |   |   |   |   |   |   |   |       |   |    |      |       |   |   |   |   |   |   |   |       |   |    |      |       |   |   |   |   |   |   |   |       |   |    |      |       |       |   |   |   |   |   |   |       |   |    |      |       |       |   |   |   |   |   |   |       |   |    |      |       |       |   |   |   |   |   |   |       |   |    |      |       |       |   |   |   |   |   |   |       |   |    |      |       |       |   |   |   |   |   |   |       |   |    |      |       |       |   |   |   |   |   |   |       |   |    |      |       |       |       |   |   |   |   |   |       |   |    |      |       |       |       |   |   |   |   |   |       |   |    |   |   |       |       |   |   |   |   |   |       |   |    |   |   |       |       |   |   |   |   |   |       |   |    |   |   |       |       |   |   |   |   |   |       |   |     |   |   |   |       |   |   |   |   |   |       |   |     |   |   |   |       |       |   |   |   |   |       |   |     |   |   |   |       |       |   |   |   |   |       |   |     |   |   |   |       |       |   |   |   |   |       |   |     |   |   |   |   |       |   |   |   |   |       |   |     |   |   |   |   |       |   |   |   |   |       |   |     |   |   |   |   |       |   |   |   |   |      |   |     |   |   |   |   |   |      |      |   |   |   |   |     |   |   |   |   |   |      |      |   |   |   |   |     |   |   |   |   |   |      |      |   |   |   |   |     |   |   |   |   |   |   |      |   |   |   |   |     |   |   |   |   |   |   |      |   |   |   |   |
| 78  | 41,3  | 146,0       | 183,0 | -      | -     | -           | -    | -    | - | 211,0 | - |      |  |  |  |  |  |  |  |  |  |      |  |     |  |             |  |  |  |  |  |  |  |  |  |  |     |     |     |     |     |     |  |  |  |  |  |   |   |   |   |   |   |   |   |   |   |   |   |    |   |        |   |   |   |   |   |   |   |   |   |    |   |        |   |   |   |   |   |   |   |   |   |    |   |        |   |   |   |   |   |   |   |   |   |    |       |       |   |   |   |   |   |   |   |       |   |    |       |       |   |   |   |   |   |   |   |       |   |    |       |       |   |   |   |   |   |   |   |       |   |    |      |       |   |   |   |   |   |   |   |       |   |    |      |       |   |   |   |   |   |   |   |       |   |    |      |       |   |   |   |   |   |   |   |       |   |    |      |       |   |   |   |   |   |   |   |       |   |    |      |       |       |   |   |   |   |   |   |       |   |    |      |       |       |   |   |   |   |   |   |       |   |    |      |       |       |   |   |   |   |   |   |       |   |    |      |       |       |   |   |   |   |   |   |       |   |    |      |       |       |   |   |   |   |   |   |       |   |    |      |       |       |   |   |   |   |   |   |       |   |    |      |       |       |       |   |   |   |   |   |       |   |    |      |       |       |       |   |   |   |   |   |       |   |    |   |   |       |       |   |   |   |   |   |       |   |    |   |   |       |       |   |   |   |   |   |       |   |    |   |   |       |       |   |   |   |   |   |       |   |     |   |   |   |       |   |   |   |   |   |       |   |     |   |   |   |       |       |   |   |   |   |       |   |     |   |   |   |       |       |   |   |   |   |       |   |     |   |   |   |       |       |   |   |   |   |       |   |     |   |   |   |   |       |   |   |   |   |       |   |     |   |   |   |   |       |   |   |   |   |       |   |     |   |   |   |   |       |   |   |   |   |      |   |     |   |   |   |   |   |      |      |   |   |   |   |     |   |   |   |   |   |      |      |   |   |   |   |     |   |   |   |   |   |      |      |   |   |   |   |     |   |   |   |   |   |   |      |   |   |   |   |     |   |   |   |   |   |   |      |   |   |   |   |
| 82  | 36,5  | 133,0       | 167,0 | -      | -     | -           | -    | -    | - | 204,0 | - |      |  |  |  |  |  |  |  |  |  |      |  |     |  |             |  |  |  |  |  |  |  |  |  |  |     |     |     |     |     |     |  |  |  |  |  |   |   |   |   |   |   |   |   |   |   |   |   |    |   |        |   |   |   |   |   |   |   |   |   |    |   |        |   |   |   |   |   |   |   |   |   |    |   |        |   |   |   |   |   |   |   |   |   |    |       |       |   |   |   |   |   |   |   |       |   |    |       |       |   |   |   |   |   |   |   |       |   |    |       |       |   |   |   |   |   |   |   |       |   |    |      |       |   |   |   |   |   |   |   |       |   |    |      |       |   |   |   |   |   |   |   |       |   |    |      |       |   |   |   |   |   |   |   |       |   |    |      |       |   |   |   |   |   |   |   |       |   |    |      |       |       |   |   |   |   |   |   |       |   |    |      |       |       |   |   |   |   |   |   |       |   |    |      |       |       |   |   |   |   |   |   |       |   |    |      |       |       |   |   |   |   |   |   |       |   |    |      |       |       |   |   |   |   |   |   |       |   |    |      |       |       |   |   |   |   |   |   |       |   |    |      |       |       |       |   |   |   |   |   |       |   |    |      |       |       |       |   |   |   |   |   |       |   |    |   |   |       |       |   |   |   |   |   |       |   |    |   |   |       |       |   |   |   |   |   |       |   |    |   |   |       |       |   |   |   |   |   |       |   |     |   |   |   |       |   |   |   |   |   |       |   |     |   |   |   |       |       |   |   |   |   |       |   |     |   |   |   |       |       |   |   |   |   |       |   |     |   |   |   |       |       |   |   |   |   |       |   |     |   |   |   |   |       |   |   |   |   |       |   |     |   |   |   |   |       |   |   |   |   |       |   |     |   |   |   |   |       |   |   |   |   |      |   |     |   |   |   |   |   |      |      |   |   |   |   |     |   |   |   |   |   |      |      |   |   |   |   |     |   |   |   |   |   |      |      |   |   |   |   |     |   |   |   |   |   |   |      |   |   |   |   |     |   |   |   |   |   |   |      |   |   |   |   |
| 86  | 32,3  | 117,5       | 153,0 | 192,0  | -     | -           | -    | -    | - | 193,0 | - |      |  |  |  |  |  |  |  |  |  |      |  |     |  |             |  |  |  |  |  |  |  |  |  |  |     |     |     |     |     |     |  |  |  |  |  |   |   |   |   |   |   |   |   |   |   |   |   |    |   |        |   |   |   |   |   |   |   |   |   |    |   |        |   |   |   |   |   |   |   |   |   |    |   |        |   |   |   |   |   |   |   |   |   |    |       |       |   |   |   |   |   |   |   |       |   |    |       |       |   |   |   |   |   |   |   |       |   |    |       |       |   |   |   |   |   |   |   |       |   |    |      |       |   |   |   |   |   |   |   |       |   |    |      |       |   |   |   |   |   |   |   |       |   |    |      |       |   |   |   |   |   |   |   |       |   |    |      |       |   |   |   |   |   |   |   |       |   |    |      |       |       |   |   |   |   |   |   |       |   |    |      |       |       |   |   |   |   |   |   |       |   |    |      |       |       |   |   |   |   |   |   |       |   |    |      |       |       |   |   |   |   |   |   |       |   |    |      |       |       |   |   |   |   |   |   |       |   |    |      |       |       |   |   |   |   |   |   |       |   |    |      |       |       |       |   |   |   |   |   |       |   |    |      |       |       |       |   |   |   |   |   |       |   |    |   |   |       |       |   |   |   |   |   |       |   |    |   |   |       |       |   |   |   |   |   |       |   |    |   |   |       |       |   |   |   |   |   |       |   |     |   |   |   |       |   |   |   |   |   |       |   |     |   |   |   |       |       |   |   |   |   |       |   |     |   |   |   |       |       |   |   |   |   |       |   |     |   |   |   |       |       |   |   |   |   |       |   |     |   |   |   |   |       |   |   |   |   |       |   |     |   |   |   |   |       |   |   |   |   |       |   |     |   |   |   |   |       |   |   |   |   |      |   |     |   |   |   |   |   |      |      |   |   |   |   |     |   |   |   |   |   |      |      |   |   |   |   |     |   |   |   |   |   |      |      |   |   |   |   |     |   |   |   |   |   |   |      |   |   |   |   |     |   |   |   |   |   |   |      |   |   |   |   |
| 88  | 30,4  | 109,0       | 147,0 | 183,0  | -     | -           | -    | -    | - | 188,5 | - |      |  |  |  |  |  |  |  |  |  |      |  |     |  |             |  |  |  |  |  |  |  |  |  |  |     |     |     |     |     |     |  |  |  |  |  |   |   |   |   |   |   |   |   |   |   |   |   |    |   |        |   |   |   |   |   |   |   |   |   |    |   |        |   |   |   |   |   |   |   |   |   |    |   |        |   |   |   |   |   |   |   |   |   |    |       |       |   |   |   |   |   |   |   |       |   |    |       |       |   |   |   |   |   |   |   |       |   |    |       |       |   |   |   |   |   |   |   |       |   |    |      |       |   |   |   |   |   |   |   |       |   |    |      |       |   |   |   |   |   |   |   |       |   |    |      |       |   |   |   |   |   |   |   |       |   |    |      |       |   |   |   |   |   |   |   |       |   |    |      |       |       |   |   |   |   |   |   |       |   |    |      |       |       |   |   |   |   |   |   |       |   |    |      |       |       |   |   |   |   |   |   |       |   |    |      |       |       |   |   |   |   |   |   |       |   |    |      |       |       |   |   |   |   |   |   |       |   |    |      |       |       |   |   |   |   |   |   |       |   |    |      |       |       |       |   |   |   |   |   |       |   |    |      |       |       |       |   |   |   |   |   |       |   |    |   |   |       |       |   |   |   |   |   |       |   |    |   |   |       |       |   |   |   |   |   |       |   |    |   |   |       |       |   |   |   |   |   |       |   |     |   |   |   |       |   |   |   |   |   |       |   |     |   |   |   |       |       |   |   |   |   |       |   |     |   |   |   |       |       |   |   |   |   |       |   |     |   |   |   |       |       |   |   |   |   |       |   |     |   |   |   |   |       |   |   |   |   |       |   |     |   |   |   |   |       |   |   |   |   |       |   |     |   |   |   |   |       |   |   |   |   |      |   |     |   |   |   |   |   |      |      |   |   |   |   |     |   |   |   |   |   |      |      |   |   |   |   |     |   |   |   |   |   |      |      |   |   |   |   |     |   |   |   |   |   |   |      |   |   |   |   |     |   |   |   |   |   |   |      |   |   |   |   |
| 90  | -     | -           | 141,0 | 175,0  | -     | -           | -    | -    | - | 184,0 | - |      |  |  |  |  |  |  |  |  |  |      |  |     |  |             |  |  |  |  |  |  |  |  |  |  |     |     |     |     |     |     |  |  |  |  |  |   |   |   |   |   |   |   |   |   |   |   |   |    |   |        |   |   |   |   |   |   |   |   |   |    |   |        |   |   |   |   |   |   |   |   |   |    |   |        |   |   |   |   |   |   |   |   |   |    |       |       |   |   |   |   |   |   |   |       |   |    |       |       |   |   |   |   |   |   |   |       |   |    |       |       |   |   |   |   |   |   |   |       |   |    |      |       |   |   |   |   |   |   |   |       |   |    |      |       |   |   |   |   |   |   |   |       |   |    |      |       |   |   |   |   |   |   |   |       |   |    |      |       |   |   |   |   |   |   |   |       |   |    |      |       |       |   |   |   |   |   |   |       |   |    |      |       |       |   |   |   |   |   |   |       |   |    |      |       |       |   |   |   |   |   |   |       |   |    |      |       |       |   |   |   |   |   |   |       |   |    |      |       |       |   |   |   |   |   |   |       |   |    |      |       |       |   |   |   |   |   |   |       |   |    |      |       |       |       |   |   |   |   |   |       |   |    |      |       |       |       |   |   |   |   |   |       |   |    |   |   |       |       |   |   |   |   |   |       |   |    |   |   |       |       |   |   |   |   |   |       |   |    |   |   |       |       |   |   |   |   |   |       |   |     |   |   |   |       |   |   |   |   |   |       |   |     |   |   |   |       |       |   |   |   |   |       |   |     |   |   |   |       |       |   |   |   |   |       |   |     |   |   |   |       |       |   |   |   |   |       |   |     |   |   |   |   |       |   |   |   |   |       |   |     |   |   |   |   |       |   |   |   |   |       |   |     |   |   |   |   |       |   |   |   |   |      |   |     |   |   |   |   |   |      |      |   |   |   |   |     |   |   |   |   |   |      |      |   |   |   |   |     |   |   |   |   |   |      |      |   |   |   |   |     |   |   |   |   |   |   |      |   |   |   |   |     |   |   |   |   |   |   |      |   |   |   |   |
| 94  | -     | -           | 130,0 | 160,0  | -     | -           | -    | -    | - | 175,0 | - |      |  |  |  |  |  |  |  |  |  |      |  |     |  |             |  |  |  |  |  |  |  |  |  |  |     |     |     |     |     |     |  |  |  |  |  |   |   |   |   |   |   |   |   |   |   |   |   |    |   |        |   |   |   |   |   |   |   |   |   |    |   |        |   |   |   |   |   |   |   |   |   |    |   |        |   |   |   |   |   |   |   |   |   |    |       |       |   |   |   |   |   |   |   |       |   |    |       |       |   |   |   |   |   |   |   |       |   |    |       |       |   |   |   |   |   |   |   |       |   |    |      |       |   |   |   |   |   |   |   |       |   |    |      |       |   |   |   |   |   |   |   |       |   |    |      |       |   |   |   |   |   |   |   |       |   |    |      |       |   |   |   |   |   |   |   |       |   |    |      |       |       |   |   |   |   |   |   |       |   |    |      |       |       |   |   |   |   |   |   |       |   |    |      |       |       |   |   |   |   |   |   |       |   |    |      |       |       |   |   |   |   |   |   |       |   |    |      |       |       |   |   |   |   |   |   |       |   |    |      |       |       |   |   |   |   |   |   |       |   |    |      |       |       |       |   |   |   |   |   |       |   |    |      |       |       |       |   |   |   |   |   |       |   |    |   |   |       |       |   |   |   |   |   |       |   |    |   |   |       |       |   |   |   |   |   |       |   |    |   |   |       |       |   |   |   |   |   |       |   |     |   |   |   |       |   |   |   |   |   |       |   |     |   |   |   |       |       |   |   |   |   |       |   |     |   |   |   |       |       |   |   |   |   |       |   |     |   |   |   |       |       |   |   |   |   |       |   |     |   |   |   |   |       |   |   |   |   |       |   |     |   |   |   |   |       |   |   |   |   |       |   |     |   |   |   |   |       |   |   |   |   |      |   |     |   |   |   |   |   |      |      |   |   |   |   |     |   |   |   |   |   |      |      |   |   |   |   |     |   |   |   |   |   |      |      |   |   |   |   |     |   |   |   |   |   |   |      |   |   |   |   |     |   |   |   |   |   |   |      |   |   |   |   |
| 98  | -     | -           | 120,0 | 147,0  | -     | -           | -    | -    | - | 159,0 | - |      |  |  |  |  |  |  |  |  |  |      |  |     |  |             |  |  |  |  |  |  |  |  |  |  |     |     |     |     |     |     |  |  |  |  |  |   |   |   |   |   |   |   |   |   |   |   |   |    |   |        |   |   |   |   |   |   |   |   |   |    |   |        |   |   |   |   |   |   |   |   |   |    |   |        |   |   |   |   |   |   |   |   |   |    |       |       |   |   |   |   |   |   |   |       |   |    |       |       |   |   |   |   |   |   |   |       |   |    |       |       |   |   |   |   |   |   |   |       |   |    |      |       |   |   |   |   |   |   |   |       |   |    |      |       |   |   |   |   |   |   |   |       |   |    |      |       |   |   |   |   |   |   |   |       |   |    |      |       |   |   |   |   |   |   |   |       |   |    |      |       |       |   |   |   |   |   |   |       |   |    |      |       |       |   |   |   |   |   |   |       |   |    |      |       |       |   |   |   |   |   |   |       |   |    |      |       |       |   |   |   |   |   |   |       |   |    |      |       |       |   |   |   |   |   |   |       |   |    |      |       |       |   |   |   |   |   |   |       |   |    |      |       |       |       |   |   |   |   |   |       |   |    |      |       |       |       |   |   |   |   |   |       |   |    |   |   |       |       |   |   |   |   |   |       |   |    |   |   |       |       |   |   |   |   |   |       |   |    |   |   |       |       |   |   |   |   |   |       |   |     |   |   |   |       |   |   |   |   |   |       |   |     |   |   |   |       |       |   |   |   |   |       |   |     |   |   |   |       |       |   |   |   |   |       |   |     |   |   |   |       |       |   |   |   |   |       |   |     |   |   |   |   |       |   |   |   |   |       |   |     |   |   |   |   |       |   |   |   |   |       |   |     |   |   |   |   |       |   |   |   |   |      |   |     |   |   |   |   |   |      |      |   |   |   |   |     |   |   |   |   |   |      |      |   |   |   |   |     |   |   |   |   |   |      |      |   |   |   |   |     |   |   |   |   |   |   |      |   |   |   |   |     |   |   |   |   |   |   |      |   |   |   |   |
| 102   | -     | -           | -     | 135,0  | -     | -           | -    | -    | - | 145,0 | - |      |  |  |  |  |  |  |  |  |  |      |  |     |  |             |  |  |  |  |  |  |  |  |  |  |     |     |     |     |     |     |  |  |  |  |  |   |   |   |   |   |   |   |   |   |   |   |   |    |   |        |   |   |   |   |   |   |   |   |   |    |   |        |   |   |   |   |   |   |   |   |   |    |   |        |   |   |   |   |   |   |   |   |   |    |       |       |   |   |   |   |   |   |   |       |   |    |       |       |   |   |   |   |   |   |   |       |   |    |       |       |   |   |   |   |   |   |   |       |   |    |      |       |   |   |   |   |   |   |   |       |   |    |      |       |   |   |   |   |   |   |   |       |   |    |      |       |   |   |   |   |   |   |   |       |   |    |      |       |   |   |   |   |   |   |   |       |   |    |      |       |       |   |   |   |   |   |   |       |   |    |      |       |       |   |   |   |   |   |   |       |   |    |      |       |       |   |   |   |   |   |   |       |   |    |      |       |       |   |   |   |   |   |   |       |   |    |      |       |       |   |   |   |   |   |   |       |   |    |      |       |       |   |   |   |   |   |   |       |   |    |      |       |       |       |   |   |   |   |   |       |   |    |      |       |       |       |   |   |   |   |   |       |   |    |   |   |       |       |   |   |   |   |   |       |   |    |   |   |       |       |   |   |   |   |   |       |   |    |   |   |       |       |   |   |   |   |   |       |   |     |   |   |   |       |   |   |   |   |   |       |   |     |   |   |   |       |       |   |   |   |   |       |   |     |   |   |   |       |       |   |   |   |   |       |   |     |   |   |   |       |       |   |   |   |   |       |   |     |   |   |   |   |       |   |   |   |   |       |   |     |   |   |   |   |       |   |   |   |   |       |   |     |   |   |   |   |       |   |   |   |   |      |   |     |   |   |   |   |   |      |      |   |   |   |   |     |   |   |   |   |   |      |      |   |   |   |   |     |   |   |   |   |   |      |      |   |   |   |   |     |   |   |   |   |   |   |      |   |   |   |   |     |   |   |   |   |   |   |      |   |   |   |   |
| 104   | -     | -           | -     | 130,0  | 139,0 | -           | -    | -    | - | 138,0 | - |      |  |  |  |  |  |  |  |  |  |      |  |     |  |             |  |  |  |  |  |  |  |  |  |  |     |     |     |     |     |     |  |  |  |  |  |   |   |   |   |   |   |   |   |   |   |   |   |    |   |        |   |   |   |   |   |   |   |   |   |    |   |        |   |   |   |   |   |   |   |   |   |    |   |        |   |   |   |   |   |   |   |   |   |    |       |       |   |   |   |   |   |   |   |       |   |    |       |       |   |   |   |   |   |   |   |       |   |    |       |       |   |   |   |   |   |   |   |       |   |    |      |       |   |   |   |   |   |   |   |       |   |    |      |       |   |   |   |   |   |   |   |       |   |    |      |       |   |   |   |   |   |   |   |       |   |    |      |       |   |   |   |   |   |   |   |       |   |    |      |       |       |   |   |   |   |   |   |       |   |    |      |       |       |   |   |   |   |   |   |       |   |    |      |       |       |   |   |   |   |   |   |       |   |    |      |       |       |   |   |   |   |   |   |       |   |    |      |       |       |   |   |   |   |   |   |       |   |    |      |       |       |   |   |   |   |   |   |       |   |    |      |       |       |       |   |   |   |   |   |       |   |    |      |       |       |       |   |   |   |   |   |       |   |    |   |   |       |       |   |   |   |   |   |       |   |    |   |   |       |       |   |   |   |   |   |       |   |    |   |   |       |       |   |   |   |   |   |       |   |     |   |   |   |       |   |   |   |   |   |       |   |     |   |   |   |       |       |   |   |   |   |       |   |     |   |   |   |       |       |   |   |   |   |       |   |     |   |   |   |       |       |   |   |   |   |       |   |     |   |   |   |   |       |   |   |   |   |       |   |     |   |   |   |   |       |   |   |   |   |       |   |     |   |   |   |   |       |   |   |   |   |      |   |     |   |   |   |   |   |      |      |   |   |   |   |     |   |   |   |   |   |      |      |   |   |   |   |     |   |   |   |   |   |      |      |   |   |   |   |     |   |   |   |   |   |   |      |   |   |   |   |     |   |   |   |   |   |   |      |   |   |   |   |
| 106   | -     | -           | -     | 125,0  | 135,0 | -           | -    | -    | - | 131,0 | - |      |  |  |  |  |  |  |  |  |  |      |  |     |  |             |  |  |  |  |  |  |  |  |  |  |     |     |     |     |     |     |  |  |  |  |  |   |   |   |   |   |   |   |   |   |   |   |   |    |   |        |   |   |   |   |   |   |   |   |   |    |   |        |   |   |   |   |   |   |   |   |   |    |   |        |   |   |   |   |   |   |   |   |   |    |       |       |   |   |   |   |   |   |   |       |   |    |       |       |   |   |   |   |   |   |   |       |   |    |       |       |   |   |   |   |   |   |   |       |   |    |      |       |   |   |   |   |   |   |   |       |   |    |      |       |   |   |   |   |   |   |   |       |   |    |      |       |   |   |   |   |   |   |   |       |   |    |      |       |   |   |   |   |   |   |   |       |   |    |      |       |       |   |   |   |   |   |   |       |   |    |      |       |       |   |   |   |   |   |   |       |   |    |      |       |       |   |   |   |   |   |   |       |   |    |      |       |       |   |   |   |   |   |   |       |   |    |      |       |       |   |   |   |   |   |   |       |   |    |      |       |       |   |   |   |   |   |   |       |   |    |      |       |       |       |   |   |   |   |   |       |   |    |      |       |       |       |   |   |   |   |   |       |   |    |   |   |       |       |   |   |   |   |   |       |   |    |   |   |       |       |   |   |   |   |   |       |   |    |   |   |       |       |   |   |   |   |   |       |   |     |   |   |   |       |   |   |   |   |   |       |   |     |   |   |   |       |       |   |   |   |   |       |   |     |   |   |   |       |       |   |   |   |   |       |   |     |   |   |   |       |       |   |   |   |   |       |   |     |   |   |   |   |       |   |   |   |   |       |   |     |   |   |   |   |       |   |   |   |   |       |   |     |   |   |   |   |       |   |   |   |   |      |   |     |   |   |   |   |   |      |      |   |   |   |   |     |   |   |   |   |   |      |      |   |   |   |   |     |   |   |   |   |   |      |      |   |   |   |   |     |   |   |   |   |   |   |      |   |   |   |   |     |   |   |   |   |   |   |      |   |   |   |   |
| 108   | -     | -           | -     | 120,0  | 131,0 | -           | -    | -    | - | 124,5 | - |      |  |  |  |  |  |  |  |  |  |      |  |     |  |             |  |  |  |  |  |  |  |  |  |  |     |     |     |     |     |     |  |  |  |  |  |   |   |   |   |   |   |   |   |   |   |   |   |    |   |        |   |   |   |   |   |   |   |   |   |    |   |        |   |   |   |   |   |   |   |   |   |    |   |        |   |   |   |   |   |   |   |   |   |    |       |       |   |   |   |   |   |   |   |       |   |    |       |       |   |   |   |   |   |   |   |       |   |    |       |       |   |   |   |   |   |   |   |       |   |    |      |       |   |   |   |   |   |   |   |       |   |    |      |       |   |   |   |   |   |   |   |       |   |    |      |       |   |   |   |   |   |   |   |       |   |    |      |       |   |   |   |   |   |   |   |       |   |    |      |       |       |   |   |   |   |   |   |       |   |    |      |       |       |   |   |   |   |   |   |       |   |    |      |       |       |   |   |   |   |   |   |       |   |    |      |       |       |   |   |   |   |   |   |       |   |    |      |       |       |   |   |   |   |   |   |       |   |    |      |       |       |   |   |   |   |   |   |       |   |    |      |       |       |       |   |   |   |   |   |       |   |    |      |       |       |       |   |   |   |   |   |       |   |    |   |   |       |       |   |   |   |   |   |       |   |    |   |   |       |       |   |   |   |   |   |       |   |    |   |   |       |       |   |   |   |   |   |       |   |     |   |   |   |       |   |   |   |   |   |       |   |     |   |   |   |       |       |   |   |   |   |       |   |     |   |   |   |       |       |   |   |   |   |       |   |     |   |   |   |       |       |   |   |   |   |       |   |     |   |   |   |   |       |   |   |   |   |       |   |     |   |   |   |   |       |   |   |   |   |       |   |     |   |   |   |   |       |   |   |   |   |      |   |     |   |   |   |   |   |      |      |   |   |   |   |     |   |   |   |   |   |      |      |   |   |   |   |     |   |   |   |   |   |      |      |   |   |   |   |     |   |   |   |   |   |   |      |   |   |   |   |     |   |   |   |   |   |   |      |   |   |   |   |
| 110   | -     | -           | -     | -      | 127,0 | -           | -    | -    | - | 118,0 | - |      |  |  |  |  |  |  |  |  |  |      |  |     |  |             |  |  |  |  |  |  |  |  |  |  |     |     |     |     |     |     |  |  |  |  |  |   |   |   |   |   |   |   |   |   |   |   |   |    |   |        |   |   |   |   |   |   |   |   |   |    |   |        |   |   |   |   |   |   |   |   |   |    |   |        |   |   |   |   |   |   |   |   |   |    |       |       |   |   |   |   |   |   |   |       |   |    |       |       |   |   |   |   |   |   |   |       |   |    |       |       |   |   |   |   |   |   |   |       |   |    |      |       |   |   |   |   |   |   |   |       |   |    |      |       |   |   |   |   |   |   |   |       |   |    |      |       |   |   |   |   |   |   |   |       |   |    |      |       |   |   |   |   |   |   |   |       |   |    |      |       |       |   |   |   |   |   |   |       |   |    |      |       |       |   |   |   |   |   |   |       |   |    |      |       |       |   |   |   |   |   |   |       |   |    |      |       |       |   |   |   |   |   |   |       |   |    |      |       |       |   |   |   |   |   |   |       |   |    |      |       |       |   |   |   |   |   |   |       |   |    |      |       |       |       |   |   |   |   |   |       |   |    |      |       |       |       |   |   |   |   |   |       |   |    |   |   |       |       |   |   |   |   |   |       |   |    |   |   |       |       |   |   |   |   |   |       |   |    |   |   |       |       |   |   |   |   |   |       |   |     |   |   |   |       |   |   |   |   |   |       |   |     |   |   |   |       |       |   |   |   |   |       |   |     |   |   |   |       |       |   |   |   |   |       |   |     |   |   |   |       |       |   |   |   |   |       |   |     |   |   |   |   |       |   |   |   |   |       |   |     |   |   |   |   |       |   |   |   |   |       |   |     |   |   |   |   |       |   |   |   |   |      |   |     |   |   |   |   |   |      |      |   |   |   |   |     |   |   |   |   |   |      |      |   |   |   |   |     |   |   |   |   |   |      |      |   |   |   |   |     |   |   |   |   |   |   |      |   |   |   |   |     |   |   |   |   |   |   |      |   |   |   |   |
| 114   | -     | -           | -     | -      | 121,0 | -           | -    | -    | - | 105,0 | - |      |  |  |  |  |  |  |  |  |  |      |  |     |  |             |  |  |  |  |  |  |  |  |  |  |     |     |     |     |     |     |  |  |  |  |  |   |   |   |   |   |   |   |   |   |   |   |   |    |   |        |   |   |   |   |   |   |   |   |   |    |   |        |   |   |   |   |   |   |   |   |   |    |   |        |   |   |   |   |   |   |   |   |   |    |       |       |   |   |   |   |   |   |   |       |   |    |       |       |   |   |   |   |   |   |   |       |   |    |       |       |   |   |   |   |   |   |   |       |   |    |      |       |   |   |   |   |   |   |   |       |   |    |      |       |   |   |   |   |   |   |   |       |   |    |      |       |   |   |   |   |   |   |   |       |   |    |      |       |   |   |   |   |   |   |   |       |   |    |      |       |       |   |   |   |   |   |   |       |   |    |      |       |       |   |   |   |   |   |   |       |   |    |      |       |       |   |   |   |   |   |   |       |   |    |      |       |       |   |   |   |   |   |   |       |   |    |      |       |       |   |   |   |   |   |   |       |   |    |      |       |       |   |   |   |   |   |   |       |   |    |      |       |       |       |   |   |   |   |   |       |   |    |      |       |       |       |   |   |   |   |   |       |   |    |   |   |       |       |   |   |   |   |   |       |   |    |   |   |       |       |   |   |   |   |   |       |   |    |   |   |       |       |   |   |   |   |   |       |   |     |   |   |   |       |   |   |   |   |   |       |   |     |   |   |   |       |       |   |   |   |   |       |   |     |   |   |   |       |       |   |   |   |   |       |   |     |   |   |   |       |       |   |   |   |   |       |   |     |   |   |   |   |       |   |   |   |   |       |   |     |   |   |   |   |       |   |   |   |   |       |   |     |   |   |   |   |       |   |   |   |   |      |   |     |   |   |   |   |   |      |      |   |   |   |   |     |   |   |   |   |   |      |      |   |   |   |   |     |   |   |   |   |   |      |      |   |   |   |   |     |   |   |   |   |   |   |      |   |   |   |   |     |   |   |   |   |   |   |      |   |   |   |   |
| 118   | -     | -           | -     | -      | 115,0 | -           | -    | -    | - | 96,0  | - |      |  |  |  |  |  |  |  |  |  |      |  |     |  |             |  |  |  |  |  |  |  |  |  |  |     |     |     |     |     |     |  |  |  |  |  |   |   |   |   |   |   |   |   |   |   |   |   |    |   |        |   |   |   |   |   |   |   |   |   |    |   |        |   |   |   |   |   |   |   |   |   |    |   |        |   |   |   |   |   |   |   |   |   |    |       |       |   |   |   |   |   |   |   |       |   |    |       |       |   |   |   |   |   |   |   |       |   |    |       |       |   |   |   |   |   |   |   |       |   |    |      |       |   |   |   |   |   |   |   |       |   |    |      |       |   |   |   |   |   |   |   |       |   |    |      |       |   |   |   |   |   |   |   |       |   |    |      |       |   |   |   |   |   |   |   |       |   |    |      |       |       |   |   |   |   |   |   |       |   |    |      |       |       |   |   |   |   |   |   |       |   |    |      |       |       |   |   |   |   |   |   |       |   |    |      |       |       |   |   |   |   |   |   |       |   |    |      |       |       |   |   |   |   |   |   |       |   |    |      |       |       |   |   |   |   |   |   |       |   |    |      |       |       |       |   |   |   |   |   |       |   |    |      |       |       |       |   |   |   |   |   |       |   |    |   |   |       |       |   |   |   |   |   |       |   |    |   |   |       |       |   |   |   |   |   |       |   |    |   |   |       |       |   |   |   |   |   |       |   |     |   |   |   |       |   |   |   |   |   |       |   |     |   |   |   |       |       |   |   |   |   |       |   |     |   |   |   |       |       |   |   |   |   |       |   |     |   |   |   |       |       |   |   |   |   |       |   |     |   |   |   |   |       |   |   |   |   |       |   |     |   |   |   |   |       |   |   |   |   |       |   |     |   |   |   |   |       |   |   |   |   |      |   |     |   |   |   |   |   |      |      |   |   |   |   |     |   |   |   |   |   |      |      |   |   |   |   |     |   |   |   |   |   |      |      |   |   |   |   |     |   |   |   |   |   |   |      |   |   |   |   |     |   |   |   |   |   |   |      |   |   |   |   |
| 120   | -     | -           | -     | -      | -     | 93,5        | 92,7 | -    | - | -     | - |      |  |  |  |  |  |  |  |  |  |      |  |     |  |             |  |  |  |  |  |  |  |  |  |  |     |     |     |     |     |     |  |  |  |  |  |   |   |   |   |   |   |   |   |   |   |   |   |    |   |        |   |   |   |   |   |   |   |   |   |    |   |        |   |   |   |   |   |   |   |   |   |    |   |        |   |   |   |   |   |   |   |   |   |    |       |       |   |   |   |   |   |   |   |       |   |    |       |       |   |   |   |   |   |   |   |       |   |    |       |       |   |   |   |   |   |   |   |       |   |    |      |       |   |   |   |   |   |   |   |       |   |    |      |       |   |   |   |   |   |   |   |       |   |    |      |       |   |   |   |   |   |   |   |       |   |    |      |       |   |   |   |   |   |   |   |       |   |    |      |       |       |   |   |   |   |   |   |       |   |    |      |       |       |   |   |   |   |   |   |       |   |    |      |       |       |   |   |   |   |   |   |       |   |    |      |       |       |   |   |   |   |   |   |       |   |    |      |       |       |   |   |   |   |   |   |       |   |    |      |       |       |   |   |   |   |   |   |       |   |    |      |       |       |       |   |   |   |   |   |       |   |    |      |       |       |       |   |   |   |   |   |       |   |    |   |   |       |       |   |   |   |   |   |       |   |    |   |   |       |       |   |   |   |   |   |       |   |    |   |   |       |       |   |   |   |   |   |       |   |     |   |   |   |       |   |   |   |   |   |       |   |     |   |   |   |       |       |   |   |   |   |       |   |     |   |   |   |       |       |   |   |   |   |       |   |     |   |   |   |       |       |   |   |   |   |       |   |     |   |   |   |   |       |   |   |   |   |       |   |     |   |   |   |   |       |   |   |   |   |       |   |     |   |   |   |   |       |   |   |   |   |      |   |     |   |   |   |   |   |      |      |   |   |   |   |     |   |   |   |   |   |      |      |   |   |   |   |     |   |   |   |   |   |      |      |   |   |   |   |     |   |   |   |   |   |   |      |   |   |   |   |     |   |   |   |   |   |   |      |   |   |   |   |
| 122   | -     | -           | -     | -      | -     | 91,5        | 89,5 | -    | - | -     | - |      |  |  |  |  |  |  |  |  |  |      |  |     |  |             |  |  |  |  |  |  |  |  |  |  |     |     |     |     |     |     |  |  |  |  |  |   |   |   |   |   |   |   |   |   |   |   |   |    |   |        |   |   |   |   |   |   |   |   |   |    |   |        |   |   |   |   |   |   |   |   |   |    |   |        |   |   |   |   |   |   |   |   |   |    |       |       |   |   |   |   |   |   |   |       |   |    |       |       |   |   |   |   |   |   |   |       |   |    |       |       |   |   |   |   |   |   |   |       |   |    |      |       |   |   |   |   |   |   |   |       |   |    |      |       |   |   |   |   |   |   |   |       |   |    |      |       |   |   |   |   |   |   |   |       |   |    |      |       |   |   |   |   |   |   |   |       |   |    |      |       |       |   |   |   |   |   |   |       |   |    |      |       |       |   |   |   |   |   |   |       |   |    |      |       |       |   |   |   |   |   |   |       |   |    |      |       |       |   |   |   |   |   |   |       |   |    |      |       |       |   |   |   |   |   |   |       |   |    |      |       |       |   |   |   |   |   |   |       |   |    |      |       |       |       |   |   |   |   |   |       |   |    |      |       |       |       |   |   |   |   |   |       |   |    |   |   |       |       |   |   |   |   |   |       |   |    |   |   |       |       |   |   |   |   |   |       |   |    |   |   |       |       |   |   |   |   |   |       |   |     |   |   |   |       |   |   |   |   |   |       |   |     |   |   |   |       |       |   |   |   |   |       |   |     |   |   |   |       |       |   |   |   |   |       |   |     |   |   |   |       |       |   |   |   |   |       |   |     |   |   |   |   |       |   |   |   |   |       |   |     |   |   |   |   |       |   |   |   |   |       |   |     |   |   |   |   |       |   |   |   |   |      |   |     |   |   |   |   |   |      |      |   |   |   |   |     |   |   |   |   |   |      |      |   |   |   |   |     |   |   |   |   |   |      |      |   |   |   |   |     |   |   |   |   |   |   |      |   |   |   |   |     |   |   |   |   |   |   |      |   |   |   |   |
| 126   | -     | -           | -     | -      | -     | 87,0        | 79,0 | -    | - | -     | - |      |  |  |  |  |  |  |  |  |  |      |  |     |  |             |  |  |  |  |  |  |  |  |  |  |     |     |     |     |     |     |  |  |  |  |  |   |   |   |   |   |   |   |   |   |   |   |   |    |   |        |   |   |   |   |   |   |   |   |   |    |   |        |   |   |   |   |   |   |   |   |   |    |   |        |   |   |   |   |   |   |   |   |   |    |       |       |   |   |   |   |   |   |   |       |   |    |       |       |   |   |   |   |   |   |   |       |   |    |       |       |   |   |   |   |   |   |   |       |   |    |      |       |   |   |   |   |   |   |   |       |   |    |      |       |   |   |   |   |   |   |   |       |   |    |      |       |   |   |   |   |   |   |   |       |   |    |      |       |   |   |   |   |   |   |   |       |   |    |      |       |       |   |   |   |   |   |   |       |   |    |      |       |       |   |   |   |   |   |   |       |   |    |      |       |       |   |   |   |   |   |   |       |   |    |      |       |       |   |   |   |   |   |   |       |   |    |      |       |       |   |   |   |   |   |   |       |   |    |      |       |       |   |   |   |   |   |   |       |   |    |      |       |       |       |   |   |   |   |   |       |   |    |      |       |       |       |   |   |   |   |   |       |   |    |   |   |       |       |   |   |   |   |   |       |   |    |   |   |       |       |   |   |   |   |   |       |   |    |   |   |       |       |   |   |   |   |   |       |   |     |   |   |   |       |   |   |   |   |   |       |   |     |   |   |   |       |       |   |   |   |   |       |   |     |   |   |   |       |       |   |   |   |   |       |   |     |   |   |   |       |       |   |   |   |   |       |   |     |   |   |   |   |       |   |   |   |   |       |   |     |   |   |   |   |       |   |   |   |   |       |   |     |   |   |   |   |       |   |   |   |   |      |   |     |   |   |   |   |   |      |      |   |   |   |   |     |   |   |   |   |   |      |      |   |   |   |   |     |   |   |   |   |   |      |      |   |   |   |   |     |   |   |   |   |   |   |      |   |   |   |   |     |   |   |   |   |   |   |      |   |   |   |   |
| 130   | -     | -           | -     | -      | -     | -           | 68,0 | -    | - | -     | - |      |  |  |  |  |  |  |  |  |  |      |  |     |  |             |  |  |  |  |  |  |  |  |  |  |     |     |     |     |     |     |  |  |  |  |  |   |   |   |   |   |   |   |   |   |   |   |   |    |   |        |   |   |   |   |   |   |   |   |   |    |   |        |   |   |   |   |   |   |   |   |   |    |   |        |   |   |   |   |   |   |   |   |   |    |       |       |   |   |   |   |   |   |   |       |   |    |       |       |   |   |   |   |   |   |   |       |   |    |       |       |   |   |   |   |   |   |   |       |   |    |      |       |   |   |   |   |   |   |   |       |   |    |      |       |   |   |   |   |   |   |   |       |   |    |      |       |   |   |   |   |   |   |   |       |   |    |      |       |   |   |   |   |   |   |   |       |   |    |      |       |       |   |   |   |   |   |   |       |   |    |      |       |       |   |   |   |   |   |   |       |   |    |      |       |       |   |   |   |   |   |   |       |   |    |      |       |       |   |   |   |   |   |   |       |   |    |      |       |       |   |   |   |   |   |   |       |   |    |      |       |       |   |   |   |   |   |   |       |   |    |      |       |       |       |   |   |   |   |   |       |   |    |      |       |       |       |   |   |   |   |   |       |   |    |   |   |       |       |   |   |   |   |   |       |   |    |   |   |       |       |   |   |   |   |   |       |   |    |   |   |       |       |   |   |   |   |   |       |   |     |   |   |   |       |   |   |   |   |   |       |   |     |   |   |   |       |       |   |   |   |   |       |   |     |   |   |   |       |       |   |   |   |   |       |   |     |   |   |   |       |       |   |   |   |   |       |   |     |   |   |   |   |       |   |   |   |   |       |   |     |   |   |   |   |       |   |   |   |   |       |   |     |   |   |   |   |       |   |   |   |   |      |   |     |   |   |   |   |   |      |      |   |   |   |   |     |   |   |   |   |   |      |      |   |   |   |   |     |   |   |   |   |   |      |      |   |   |   |   |     |   |   |   |   |   |   |      |   |   |   |   |     |   |   |   |   |   |   |      |   |   |   |   |
| 134   | -     | -           | -     | -      | -     | -           | 57,0 | -    | - | -     | - |      |  |  |  |  |  |  |  |  |  |      |  |     |  |             |  |  |  |  |  |  |  |  |  |  |     |     |     |     |     |     |  |  |  |  |  |   |   |   |   |   |   |   |   |   |   |   |   |    |   |        |   |   |   |   |   |   |   |   |   |    |   |        |   |   |   |   |   |   |   |   |   |    |   |        |   |   |   |   |   |   |   |   |   |    |       |       |   |   |   |   |   |   |   |       |   |    |       |       |   |   |   |   |   |   |   |       |   |    |       |       |   |   |   |   |   |   |   |       |   |    |      |       |   |   |   |   |   |   |   |       |   |    |      |       |   |   |   |   |   |   |   |       |   |    |      |       |   |   |   |   |   |   |   |       |   |    |      |       |   |   |   |   |   |   |   |       |   |    |      |       |       |   |   |   |   |   |   |       |   |    |      |       |       |   |   |   |   |   |   |       |   |    |      |       |       |   |   |   |   |   |   |       |   |    |      |       |       |   |   |   |   |   |   |       |   |    |      |       |       |   |   |   |   |   |   |       |   |    |      |       |       |   |   |   |   |   |   |       |   |    |      |       |       |       |   |   |   |   |   |       |   |    |      |       |       |       |   |   |   |   |   |       |   |    |   |   |       |       |   |   |   |   |   |       |   |    |   |   |       |       |   |   |   |   |   |       |   |    |   |   |       |       |   |   |   |   |   |       |   |     |   |   |   |       |   |   |   |   |   |       |   |     |   |   |   |       |       |   |   |   |   |       |   |     |   |   |   |       |       |   |   |   |   |       |   |     |   |   |   |       |       |   |   |   |   |       |   |     |   |   |   |   |       |   |   |   |   |       |   |     |   |   |   |   |       |   |   |   |   |       |   |     |   |   |   |   |       |   |   |   |   |      |   |     |   |   |   |   |   |      |      |   |   |   |   |     |   |   |   |   |   |      |      |   |   |   |   |     |   |   |   |   |   |      |      |   |   |   |   |     |   |   |   |   |   |   |      |   |   |   |   |     |   |   |   |   |   |   |      |   |   |   |   |

6 m steps of luffing jib is standard · 6 m Stufung der Wippe ist Standard · Des paliers de 6 m sont de série pour la fléchette

Main boom angle 88°, 85°, 75°, 65°, 55° and 45°; capacities for intermediate boom positions are calculated by the crane control system IC-1  
 Hauptauslegerwinkel 88°, 85°, 75°, 65°, 55° und 45°; Traglasten für Zwischenstellungen des Hauptauslegers werden von der Kransteuerung IC-1 berechnet

Jarret de flèche principale 88°, 85°, 75°, 65°, 55° et 45° ; le système de commande de la grue IC-1 calcule les charges pour les positions intermédiaires de la flèche

\* Main boom angle 88° · Hauptauslegerwinkel 88° · Jarret de flèche principale 88°

295 t + 60 t ZB 19-30 m 10,5 m 9.8 m/s 360° ISO

60 m + 108 m

| m   | SWSL |        |             |       |      |      | SFSL  |
|-----|------|--------|-------------|-------|------|------|-------|
|     | 0 t  |        | 0 t - 640 t |       |      |      |       |
|     | 85°  | 85°    | 75°         | 65°   | 55°  | 45°  | t     |
| 40  | -    | 147,0* | -           | -     | -    | -    | -     |
| 42  | -    | 146,0* | -           | -     | -    | -    | -     |
| 46  | -    | 143,0* | -           | -     | -    | -    | -     |
| 48  | 81,5 | 147,0  | -           | -     | -    | -    | 147,0 |
| 50  | 76,5 | 147,0  | -           | -     | -    | -    | 147,0 |
| 54  | 68,0 | 145,0  | -           | -     | -    | -    | 147,0 |
| 58  | 60,0 | 144,0  | -           | -     | -    | -    | 146,0 |
| 62  | 53,0 | 142,0  | -           | -     | -    | -    | 144,0 |
| 66  | 47,1 | 140,0  | -           | -     | -    | -    | 143,0 |
| 70  | 41,5 | 138,0  | -           | -     | -    | -    | 141,0 |
| 74  | 36,5 | 137,0  | -           | -     | -    | -    | 139,0 |
| 76  | 34,2 | 136,0  | 135,0       | -     | -    | -    | 138,0 |
| 78  | 31,9 | 135,0  | 135,0       | -     | -    | -    | 137,0 |
| 82  | 27,8 | 127,0  | 135,0       | -     | -    | -    | 135,0 |
| 84  | 25,8 | 121,0  | 135,0       | -     | -    | -    | 133,5 |
| 86  | 23,7 | 116,5  | 135,0       | -     | -    | -    | 132,0 |
| 90  | 19,7 | 107,5  | 134,0       | -     | -    | -    | 130,0 |
| 94  | 16,1 | 99,0   | 123,0       | -     | -    | -    | 128,0 |
| 98  | 12,9 | 91,2   | 113,0       | -     | -    | -    | 125,0 |
| 100 | 11,4 | 87,5   | 108,0       | 119,0 | -    | -    | 124,0 |
| 102 | -    | 84,0   | 104,0       | 119,0 | -    | -    | 123,0 |
| 106 | -    | 75,7   | 95,5        | 117,0 | -    | -    | 121,0 |
| 108 | -    | 71,0   | 92,0        | 112,0 | -    | -    | 118,5 |
| 110 | -    | -      | 88,0        | 108,0 | -    | -    | 116,0 |
| 114 | -    | -      | 81,5        | 99,5  | -    | -    | 110,0 |
| 118 | -    | -      | 75,5        | 92,0  | -    | -    | 105,0 |
| 122 | -    | -      | 69,5        | 85,0  | 97,0 | -    | 96,5  |
| 126 | -    | -      | -           | 78,5  | 91,5 | -    | 86,5  |
| 130 | -    | -      | -           | 72,5  | 86,5 | -    | 77,0  |
| 132 | -    | -      | -           | 70,0  | 83,5 | -    | 72,5  |
| 134 | -    | -      | -           | -     | 80,5 | -    | 69,0  |
| 138 | -    | -      | -           | -     | 74,5 | -    | 64,0  |
| 140 | -    | -      | -           | -     | 71,5 | -    | 60,7  |
| 142 | -    | -      | -           | -     | -    | 59,5 | 57,5  |
| 146 | -    | -      | -           | -     | -    | 56,0 | 49,5  |
| 148 | -    | -      | -           | -     | -    | 54,5 | 45,5  |
| 150 | -    | -      | -           | -     | -    | -    | 41,5  |
| 154 | -    | -      | -           | -     | -    | -    | 33,4  |

66 m + 36 m

| m  | SWSL  |        |             |       |       |     | SFSL  |
|----|-------|--------|-------------|-------|-------|-----|-------|
|    | 0 t   |        | 0 t - 640 t |       |       |     |       |
|    | 85°   | 85°    | 75°         | 65°   | 55°   | 45° | t     |
| 18 | -     | 536,0* | -           | -     | -     | -   | -     |
| 20 | -     | 528,0* | -           | -     | -     | -   | -     |
| 22 | -     | 511,0* | -           | -     | -     | -   | -     |
| 24 | 270,0 | 562,0  | -           | -     | -     | -   | 546,0 |
| 26 | 249,0 | 551,0  | -           | -     | -     | -   | 546,0 |
| 28 | 231,0 | 539,0  | -           | -     | -     | -   | 546,0 |
| 30 | 216,0 | 528,0  | -           | -     | -     | -   | 546,0 |
| 34 | 189,0 | 469,0  | -           | -     | -     | -   | 546,0 |
| 38 | 164,0 | 396,0  | -           | -     | -     | -   | 538,0 |
| 41 | 147,5 | 354,5  | 537,0       | -     | -     | -   | 520,0 |
| 42 | 142,0 | 342,0  | 530,0       | -     | -     | -   | 513,0 |
| 46 | -     | -      | 457,0       | -     | -     | -   | 468,0 |
| 50 | -     | -      | 388,0       | -     | -     | -   | 421,0 |
| 54 | -     | -      | 335,0       | -     | -     | -   | 381,0 |
| 56 | -     | -      | -           | 366,0 | -     | -   | 363,5 |
| 58 | -     | -      | -           | 352,0 | -     | -   | 346,0 |
| 62 | -     | -      | -           | 326,0 | -     | -   | 316,0 |
| 66 | -     | -      | -           | 304,0 | -     | -   | 290,0 |
| 70 | -     | -      | -           | -     | -     | -   | 267,0 |
| 71 | -     | -      | -           | -     | 264,0 | -   | 260,5 |
| 74 | -     | -      | -           | -     | 252,0 | -   | 241,0 |
| 76 | -     | -      | -           | -     | 244,0 | -   | 228,0 |
| 78 | -     | -      | -           | -     | -     | -   | 215,0 |
| 82 | -     | -      | -           | -     | -     | -   | 190,0 |
| 86 | -     | -      | -           | -     | -     | -   | 167,0 |
| 90 | -     | -      | -           | -     | -     | -   | 153,0 |

66 m + 48 m

| m   | t     | t      | t     | t     | t     | t     | t     |
|-----|-------|--------|-------|-------|-------|-------|-------|
| 22  | -     | 424,0* | -     | -     | -     | -     | -     |
| 24  | -     | 419,0* | -     | -     | -     | -     | -     |
| 26  | -     | 408,0* | -     | -     | -     | -     | -     |
| 28  | 216,0 | 445,0  | -     | -     | -     | -     | 433,0 |
| 30  | 202,0 | 441,0  | -     | -     | -     | -     | 433,0 |
| 34  | 177,0 | 427,0  | -     | -     | -     | -     | 433,0 |
| 38  | 156,0 | 412,0  | -     | -     | -     | -     | 433,0 |
| 42  | 139,0 | 368,0  | -     | -     | -     | -     | 433,0 |
| 46  | 122,0 | 321,0  | -     | -     | -     | -     | 422,0 |
| 47  | 118,0 | 311,5  | 441,0 | -     | -     | -     | 416,5 |
| 50  | 107,0 | 285,0  | 417,0 | -     | -     | -     | 401,0 |
| 54  | 95,5  | 255,0  | 360,0 | -     | -     | -     | 383,0 |
| 58  | -     | -      | 316,0 | -     | -     | -     | 349,0 |
| 62  | -     | -      | 280,0 | -     | -     | -     | 319,0 |
| 64  | -     | -      | 265,0 | 308,0 | -     | -     | 306,0 |
| 66  | -     | -      | 251,0 | 297,0 | -     | -     | 293,0 |
| 70  | -     | -      | -     | 278,0 | -     | -     | 269,0 |
| 74  | -     | -      | -     | 261,0 | -     | -     | 248,0 |
| 77  | -     | -      | -     | 249,0 | -     | -     | 234,5 |
| 78  | -     | -      | -     | -     | -     | -     | 230,0 |
| 80  | -     | -      | -     | -     | 222,0 | -     | 219,5 |
| 82  | -     | -      | -     | -     | 215,0 | -     | 209,0 |
| 86  | -     | -      | -     | -     | 202,0 | -     | 187,0 |
| 87  | -     | -      | -     | -     | 200,0 | -     | 182,0 |
| 90  | -     | -      | -     | -     | -     | -     | 167,0 |
| 93  | -     | -      | -     | -     | -     | 154,0 | 152,7 |
| 94  | -     | -      | -     | -     | -     | 152,0 | 148,0 |
| 96  | -     | -      | -     | -     | -     | 148,0 | 139,0 |
| 98  | -     | -      | -     | -     | -     | -     | 133,0 |
| 102 | -     | -      | -     | -     | -     | -     | 123,0 |

6 m steps of luffing jib is standard · 6 m Stufung der Wippe ist Standard · Des paliers de 6 m sont de série pour la fléchette

Main boom angle 88°, 85°, 75°, 65°, 55° and 45°;  
capacities for intermediate boom positions are calculated by the crane control system IC-1

Hauptauslegerwinkel 88°, 85°, 75°, 65°, 55° und 45°;  
Traglasten für Zwischenstellungen des Hauptauslegers werden von der Kransteuerung IC-1 berechnet

Jarret de flèche principale 88°, 85°, 75°, 65°, 55° et 45°;  
le système de commande de la grue IC-1 calcule les charges pour les positions intermédiaires de la flèche

\* Main boom angle 88° · Hauptauslegerwinkel 88° · Jarret de flèche principale 88°

| 295 t + 60 t ZB |       | 19-30 m |       | 10,5 m |       | 9.8 m/s     |   | 360° |       | ISO   |      |             |     |     |     |     |
|-----------------|-------|---------|-------|--------|-------|-------------|---|------|-------|-------|------|-------------|-----|-----|-----|-----|
| 66 m + 60 m     |       |         |       |        |       | 66 m + 72 m |   |      |       |       |      |             |     |     |     |     |
|                 |       |         |       |        |       |             |   |      |       |       | SWSL | SFSL        |     |     |     |     |
|                 |       |         |       |        |       |             |   |      |       |       | 0 t  | 0 t - 640 t |     |     |     |     |
|                 |       |         |       |        |       |             |   |      |       |       | 85°  | 85°         | 75° | 65° | 55° | 45° |
| m               | t     | t       | t     | t      | t     | t           | t | t    | t     | t     | t    |             |     |     |     |     |
| 26              | -     | 344,0*  | -     | -      | -     | -           | - | -    | -     | -     | -    |             |     |     |     |     |
| 28              | -     | 337,0*  | -     | -      | -     | -           | - | -    | -     | -     | -    |             |     |     |     |     |
| 30              | -     | 331,0*  | -     | -      | -     | -           | - | -    | -     | -     | -    |             |     |     |     |     |
| 32              | 177,0 | 357,0   | -     | -      | -     | -           | - | -    | -     | 349,0 | -    |             |     |     |     |     |
| 34              | 166,0 | 355,0   | -     | -      | -     | -           | - | -    | -     | 349,0 | -    |             |     |     |     |     |
| 38              | 147,0 | 346,0   | -     | -      | -     | -           | - | -    | -     | 349,0 | -    |             |     |     |     |     |
| 42              | 131,0 | 337,0   | -     | -      | -     | -           | - | -    | -     | 349,0 | -    |             |     |     |     |     |
| 46              | 117,0 | 328,0   | -     | -      | -     | -           | - | -    | -     | 349,0 | -    |             |     |     |     |     |
| 50              | 106,0 | 299,0   | -     | -      | -     | -           | - | -    | -     | 345,0 | -    |             |     |     |     |     |
| 54              | 95,0  | 267,0   | 367,0 | -      | -     | -           | - | -    | -     | 333,0 | -    |             |     |     |     |     |
| 58              | 84,5  | 240,0   | 332,0 | -      | -     | -           | - | -    | -     | 318,0 | -    |             |     |     |     |     |
| 62              | 76,0  | 218,0   | 294,0 | -      | -     | -           | - | -    | -     | 306,0 | -    |             |     |     |     |     |
| 66              | 68,5  | 188,0   | 263,0 | -      | -     | -           | - | -    | -     | 294,0 | -    |             |     |     |     |     |
| 70              | -     | -       | 237,0 | -      | -     | -           | - | -    | -     | 274,0 | -    |             |     |     |     |     |
| 72              | -     | -       | 226,0 | 266,0  | -     | -           | - | -    | -     | 263,5 | -    |             |     |     |     |     |
| 74              | -     | -       | 215,0 | 257,0  | -     | -           | - | -    | -     | 253,0 | -    |             |     |     |     |     |
| 78              | -     | -       | 197,0 | 242,0  | -     | -           | - | -    | -     | 234,0 | -    |             |     |     |     |     |
| 82              | -     | -       | -     | 228,0  | -     | -           | - | -    | -     | 217,0 | -    |             |     |     |     |     |
| 86              | -     | -       | -     | 210,0  | -     | -           | - | -    | -     | 202,0 | -    |             |     |     |     |     |
| 88              | -     | -       | -     | 201,0  | -     | -           | - | -    | -     | 193,5 | -    |             |     |     |     |     |
| 89              | -     | -       | -     | -      | 191,0 | -           | - | -    | -     | 189,2 | -    |             |     |     |     |     |
| 90              | -     | -       | -     | -      | 188,0 | -           | - | -    | -     | 185,0 | -    |             |     |     |     |     |
| 94              | -     | -       | -     | -      | 177,0 | -           | - | -    | -     | 167,0 | -    |             |     |     |     |     |
| 98              | -     | -       | -     | -      | 168,0 | -           | - | -    | -     | 150,0 | -    |             |     |     |     |     |
| 102             | -     | -       | -     | -      | -     | -           | - | -    | -     | 134,0 | -    |             |     |     |     |     |
| 103             | -     | -       | -     | -      | -     | -           | - | -    | 130,0 | 130,2 | -    |             |     |     |     |     |
| 106             | -     | -       | -     | -      | -     | -           | - | -    | 125,0 | 119,0 | -    |             |     |     |     |     |
| 107             | -     | -       | -     | -      | -     | -           | - | -    | 124,0 | 115,2 | -    |             |     |     |     |     |
| 110             | -     | -       | -     | -      | -     | -           | - | -    | -     | 109,0 | -    |             |     |     |     |     |
| 114             | -     | -       | -     | -      | -     | -           | - | -    | -     | 98,5  | -    |             |     |     |     |     |
| 30              | -     | 277,0*  | -     | -      | -     | -           | - | -    | -     | -     | -    |             |     |     |     |     |
| 34              | -     | 269,0*  | -     | -      | -     | -           | - | -    | -     | -     | -    |             |     |     |     |     |
| 36              | 146,0 | 288,0   | -     | -      | -     | -           | - | -    | -     | 282,0 | -    |             |     |     |     |     |
| 38              | 137,0 | 287,0   | -     | -      | -     | -           | - | -    | -     | 282,0 | -    |             |     |     |     |     |
| 42              | 122,0 | 282,0   | -     | -      | -     | -           | - | -    | -     | 282,0 | -    |             |     |     |     |     |
| 46              | 109,0 | 276,0   | -     | -      | -     | -           | - | -    | -     | 282,0 | -    |             |     |     |     |     |
| 50              | 98,0  | 270,0   | -     | -      | -     | -           | - | -    | -     | 282,0 | -    |             |     |     |     |     |
| 54              | 88,5  | 264,0   | -     | -      | -     | -           | - | -    | -     | 282,0 | -    |             |     |     |     |     |
| 58              | 80,0  | 244,0   | -     | -      | -     | -           | - | -    | -     | 274,0 | -    |             |     |     |     |     |
| 60              | 76,0  | 232,0   | 295,0 | -      | -     | -           | - | -    | -     | 269,0 | -    |             |     |     |     |     |
| 62              | 72,5  | 220,0   | 293,0 | -      | -     | -           | - | -    | -     | 265,0 | -    |             |     |     |     |     |
| 66              | 65,0  | 200,0   | 267,0 | -      | -     | -           | - | -    | -     | 257,0 | -    |             |     |     |     |     |
| 70              | 58,0  | 183,0   | 240,0 | -      | -     | -           | - | -    | -     | 248,0 | -    |             |     |     |     |     |
| 74              | 52,0  | 162,0   | 217,0 | -      | -     | -           | - | -    | -     | 240,0 | -    |             |     |     |     |     |
| 78              | 47,0  | 139,0   | 198,0 | -      | -     | -           | - | -    | -     | 232,0 | -    |             |     |     |     |     |
| 80              | -     | -       | 189,0 | 230,0  | -     | -           | - | -    | -     | 225,5 | -    |             |     |     |     |     |
| 82              | -     | -       | 181,0 | 223,0  | -     | -           | - | -    | -     | 219,0 | -    |             |     |     |     |     |
| 86              | -     | -       | 166,0 | 210,0  | -     | -           | - | -    | -     | 203,0 | -    |             |     |     |     |     |
| 88              | -     | -       | 159,0 | 202,0  | -     | -           | - | -    | -     | 196,0 | -    |             |     |     |     |     |
| 90              | -     | -       | -     | 193,0  | -     | -           | - | -    | -     | 189,0 | -    |             |     |     |     |     |
| 94              | -     | -       | -     | 177,0  | -     | -           | - | -    | -     | 176,0 | -    |             |     |     |     |     |
| 98              | -     | -       | -     | 162,0  | 162,0 | -           | - | -    | -     | 162,0 | -    |             |     |     |     |     |
| 100             | -     | -       | -     | 156,0  | 158,0 | -           | - | -    | -     | 154,0 | -    |             |     |     |     |     |
| 102             | -     | -       | -     | -      | 153,0 | -           | - | -    | -     | 146,0 | -    |             |     |     |     |     |
| 106             | -     | -       | -     | -      | 145,0 | -           | - | -    | -     | 132,0 | -    |             |     |     |     |     |
| 110             | -     | -       | -     | -      | 138,0 | -           | - | -    | -     | 118,0 | -    |             |     |     |     |     |
| 114             | -     | -       | -     | -      | -     | -           | - | -    | 107,0 | 105,0 | -    |             |     |     |     |     |
| 118             | -     | -       | -     | -      | -     | -           | - | -    | 101,0 | 95,0  | -    |             |     |     |     |     |
| 119             | -     | -       | -     | -      | -     | -           | - | -    | 100,0 | 93,2  | -    |             |     |     |     |     |
| 122             | -     | -       | -     | -      | -     | -           | - | -    | -     | 88,0  | -    |             |     |     |     |     |
| 126             | -     | -       | -     | -      | -     | -           | - | -    | -     | 76,5  | -    |             |     |     |     |     |

6 m steps of luffing jib is standard · 6 m Stufung der Wippe ist Standard · Des paliers de 6 m sont de série pour la fléchette

Main boom angle 88°, 85°, 75°, 65°, 55° and 45°; capacities for intermediate boom positions are calculated by the crane control system IC-1  
Hauptauslegerwinkel 88°, 85°, 75°, 65°, 55° und 45°; Traglasten für Zwischenstellungen des Hauptauslegers werden von der Kransteuerung IC-1 berechnet

Jarret de flèche principale 88°, 85°, 75°, 65°, 55° et 45° ; le système de commande de la grue IC-1 calcule les charges pour les positions intermédiaires de la flèche

\* Main boom angle 88° · Hauptauslegerwinkel 88° · Jarret de flèche principale 88°



| 295 t + 60 t ZB |       | 19-30 m |       | 10,5 m      |       | 9.8 m/s     |      | 360° |       | ISO |  |  |
|-----------------|-------|---------|-------|-------------|-------|-------------|------|------|-------|-----|--|--|
| 66 m + 84 m     |       |         |       |             |       | 66 m + 96 m |      |      |       |     |  |  |
|                 |       | SWSL    |       |             |       |             | SFSL |      |       |     |  |  |
|                 |       | 0 t     |       | 0 t - 640 t |       |             |      |      |       |     |  |  |
|                 |       | 85°     | 85°   | 75°         | 65°   | 55°         | 45°  |      |       |     |  |  |
| m               | t     | t       | t     | t           | t     | t           | t    | t    | t     |     |  |  |
| 32              | -     | 224,0*  | -     | -           | -     | -           | -    | -    | -     |     |  |  |
| 34              | -     | 224,0*  | -     | -           | -     | -           | -    | -    | -     |     |  |  |
| 38              | -     | 218,0*  | -     | -           | -     | -           | -    | -    | -     |     |  |  |
| 40              | 118,0 | 232,0   | -     | -           | -     | -           | -    | -    | 228,0 |     |  |  |
| 42              | 111,0 | 232,0   | -     | -           | -     | -           | -    | -    | 228,0 |     |  |  |
| 46              | 98,5  | 228,0   | -     | -           | -     | -           | -    | -    | 228,0 |     |  |  |
| 50              | 88,0  | 225,0   | -     | -           | -     | -           | -    | -    | 228,0 |     |  |  |
| 54              | 79,0  | 221,0   | -     | -           | -     | -           | -    | -    | 228,0 |     |  |  |
| 58              | 70,5  | 217,0   | -     | -           | -     | -           | -    | -    | 228,0 |     |  |  |
| 62              | 63,5  | 213,0   | -     | -           | -     | -           | -    | -    | 224,0 |     |  |  |
| 66              | 57,0  | 194,0   | 232,0 | -           | -     | -           | -    | -    | 219,0 |     |  |  |
| 70              | 51,0  | 177,0   | 232,0 | -           | -     | -           | -    | -    | 214,0 |     |  |  |
| 74              | 45,3  | 161,0   | 211,0 | -           | -     | -           | -    | -    | 209,0 |     |  |  |
| 78              | 39,9  | 148,0   | 191,0 | -           | -     | -           | -    | -    | 203,0 |     |  |  |
| 82              | 35,2  | 135,0   | 174,0 | -           | -     | -           | -    | -    | 198,0 |     |  |  |
| 86              | 31,0  | 120,0   | 160,0 | -           | -     | -           | -    | -    | 193,0 |     |  |  |
| 88              | 29,1  | 112,0   | 153,0 | 195,0       | -     | -           | -    | -    | 189,5 |     |  |  |
| 90              | -     | -       | 146,0 | 187,0       | -     | -           | -    | -    | 186,0 |     |  |  |
| 94              | -     | -       | 135,0 | 170,0       | -     | -           | -    | -    | 173,0 |     |  |  |
| 98              | -     | -       | 124,0 | 156,0       | -     | -           | -    | -    | 161,0 |     |  |  |
| 100             | -     | -       | 119,0 | 149,0       | -     | -           | -    | -    | 155,5 |     |  |  |
| 102             | -     | -       | -     | 143,0       | -     | -           | -    | -    | 150,0 |     |  |  |
| 106             | -     | -       | -     | 132,0       | -     | -           | -    | -    | 137,0 |     |  |  |
| 108             | -     | -       | -     | 127,0       | 132,0 | -           | -    | -    | 130,5 |     |  |  |
| 110             | -     | -       | -     | 122,0       | 128,0 | -           | -    | -    | 124,0 |     |  |  |
| 114             | -     | -       | -     | -           | 121,0 | -           | -    | -    | 111,0 |     |  |  |
| 118             | -     | -       | -     | -           | 115,0 | -           | -    | -    | 100,0 |     |  |  |
| 120             | -     | -       | -     | -           | 112,0 | -           | -    | -    | 94,2  |     |  |  |
| 122             | -     | -       | -     | -           | -     | -           | -    | -    | 88,5  |     |  |  |
| 124             | -     | -       | -     | -           | -     | -           | -    | 84,0 | 83,0  |     |  |  |
| 126             | -     | -       | -     | -           | -     | -           | -    | 81,5 | 78,5  |     |  |  |
| 130             | -     | -       | -     | -           | -     | -           | -    | 77,0 | 72,5  |     |  |  |
| 134             | -     | -       | -     | -           | -     | -           | -    | -    | 64,0  |     |  |  |
| 138             | -     | -       | -     | -           | -     | -           | -    | -    | 54,0  |     |  |  |
| 36              | -     | 181,0*  | -     | -           | -     | -           | -    | -    | -     |     |  |  |
| 38              | -     | 180,0*  | -     | -           | -     | -           | -    | -    | -     |     |  |  |
| 42              | -     | 176,0*  | -     | -           | -     | -           | -    | -    | -     |     |  |  |
| 44              | 96,0  | 185,0   | -     | -           | -     | -           | -    | -    | 183,0 |     |  |  |
| 46              | 90,5  | 185,0   | -     | -           | -     | -           | -    | -    | 183,0 |     |  |  |
| 50              | 80,0  | 183,0   | -     | -           | -     | -           | -    | -    | 183,0 |     |  |  |
| 54              | 71,5  | 180,0   | -     | -           | -     | -           | -    | -    | 183,0 |     |  |  |
| 58              | 63,5  | 178,0   | -     | -           | -     | -           | -    | -    | 183,0 |     |  |  |
| 62              | 56,5  | 175,0   | -     | -           | -     | -           | -    | -    | 183,0 |     |  |  |
| 66              | 50,5  | 173,0   | -     | -           | -     | -           | -    | -    | 182,0 |     |  |  |
| 70              | 45,1  | 170,0   | -     | -           | -     | -           | -    | -    | 178,0 |     |  |  |
| 72              | 42,5  | 167,0   | 178,0 | -           | -     | -           | -    | -    | 176,5 |     |  |  |
| 74              | 40,1  | 159,0   | 178,0 | -           | -     | -           | -    | -    | 175,0 |     |  |  |
| 78              | 35,6  | 146,0   | 178,0 | -           | -     | -           | -    | -    | 172,0 |     |  |  |
| 82              | 31,4  | 134,0   | 173,0 | -           | -     | -           | -    | -    | 169,0 |     |  |  |
| 86              | 27,3  | 123,0   | 157,0 | -           | -     | -           | -    | -    | 166,0 |     |  |  |
| 90              | 23,5  | 113,5   | 144,0 | -           | -     | -           | -    | -    | 162,0 |     |  |  |
| 92              | 21,7  | 109,0   | 138,0 | -           | -     | -           | -    | -    | 160,5 |     |  |  |
| 94              | 20,0  | 103,7   | 132,0 | -           | -     | -           | -    | -    | 159,0 |     |  |  |
| 96              | 18,4  | 98,5    | 127,0 | 159,0       | -     | -           | -    | -    | 157,0 |     |  |  |
| 98              | 16,9  | 92,0    | 122,0 | 154,0       | -     | -           | -    | -    | 155,0 |     |  |  |
| 100             | 15,5  | 85,5    | 117,0 | 147,0       | -     | -           | -    | -    | 152,5 |     |  |  |
| 102             | -     | -       | 112,0 | 141,0       | -     | -           | -    | -    | 150,0 |     |  |  |
| 106             | -     | -       | 104,0 | 130,0       | -     | -           | -    | -    | 140,0 |     |  |  |
| 110             | -     | -       | 96,5  | 119,0       | -     | -           | -    | -    | 131,0 |     |  |  |
| 112             | -     | -       | 92,5  | 115,0       | -     | -           | -    | -    | 125,0 |     |  |  |
| 114             | -     | -       | -     | 110,0       | -     | -           | -    | -    | 119,0 |     |  |  |
| 118             | -     | -       | -     | 102,0       | 110,0 | -           | -    | -    | 107,0 |     |  |  |
| 122             | -     | -       | -     | 94,5        | 104,0 | -           | -    | -    | 97,0  |     |  |  |
| 126             | -     | -       | -     | -           | 98,5  | -           | -    | -    | 86,5  |     |  |  |
| 130             | -     | -       | -     | -           | 93,5  | -           | -    | -    | 76,5  |     |  |  |
| 132             | -     | -       | -     | -           | 91,5  | -           | -    | -    | 71,7  |     |  |  |
| 134             | -     | -       | -     | -           | -     | -           | -    | -    | 67,0  |     |  |  |
| 136             | -     | -       | -     | -           | -     | -           | -    | 65,5 | 64,2  |     |  |  |
| 138             | -     | -       | -     | -           | -     | -           | -    | 64,0 | 61,5  |     |  |  |
| 140             | -     | -       | -     | -           | -     | -           | -    | 62,5 | 58,5  |     |  |  |
| 142             | -     | -       | -     | -           | -     | -           | -    | -    | 55,5  |     |  |  |
| 146             | -     | -       | -     | -           | -     | -           | -    | -    | 46,9  |     |  |  |
| 150             | -     | -       | -     | -           | -     | -           | -    | -    | 37,9  |     |  |  |

6 m steps of luffing jib is standard · 6 m Stufung der Wippe ist Standard · Des paliers de 6 m sont de série pour la fléchette

Main boom angle 88°, 85°, 75°, 65°, 55° and 45°; capacities for intermediate boom positions are calculated by the crane control system IC-1  
 Hauptauslegerwinkel 88°, 85°, 75°, 65°, 55° und 45°; Traglasten für Zwischenstellungen des Hauptauslegers werden von der Kransteuerung IC-1 berechnet

Jarret de flèche principale 88°, 85°, 75°, 65°, 55° et 45° ; le système de commande de la grue IC-1 calcule les charges pour les positions intermédiaires de la flèche

\* Main boom angle 88° · Hauptauslegerwinkel 88° · Jarret de flèche principale 88°

| 295 t + 60 t ZB |      | 19-30 m |       | 10,5 m      |      | 9.8 m/s     |      | 360° |       | ISO |  |  |
|-----------------|------|---------|-------|-------------|------|-------------|------|------|-------|-----|--|--|
| 66 m + 108 m    |      |         |       |             |      | 72 m + 36 m |      |      |       |     |  |  |
|                 |      | SWSL    |       |             |      |             | SFSL |      |       |     |  |  |
|                 |      | 0 t     |       | 0 t - 640 t |      |             |      |      |       |     |  |  |
|                 |      | 85°     | 85°   | 75°         | 65°  | 55°         | 45°  |      |       |     |  |  |
| m               | t    | t       | t     | t           | t    | t           | t    | t    | t     |     |  |  |
| 40              | -    | 141,0*  | -     | -           | -    | -           | -    | -    | -     |     |  |  |
| 42              | -    | 140,0*  | -     | -           | -    | -           | -    | -    | -     |     |  |  |
| 46              | -    | 138,0*  | -     | -           | -    | -           | -    | -    | -     |     |  |  |
| 48              | 77,5 | 142,0   | -     | -           | -    | -           | -    | -    | 142,0 |     |  |  |
| 50              | 72,5 | 142,0   | -     | -           | -    | -           | -    | -    | 142,0 |     |  |  |
| 54              | 64,0 | 140,0   | -     | -           | -    | -           | -    | -    | 142,0 |     |  |  |
| 58              | 56,5 | 139,0   | -     | -           | -    | -           | -    | -    | 141,0 |     |  |  |
| 62              | 50,0 | 137,0   | -     | -           | -    | -           | -    | -    | 140,0 |     |  |  |
| 66              | 44,0 | 135,0   | -     | -           | -    | -           | -    | -    | 138,0 |     |  |  |
| 70              | 38,7 | 134,0   | -     | -           | -    | -           | -    | -    | 137,0 |     |  |  |
| 74              | 33,8 | 132,0   | -     | -           | -    | -           | -    | -    | 135,0 |     |  |  |
| 78              | 29,4 | 131,0   | 131,0 | -           | -    | -           | -    | -    | 133,0 |     |  |  |
| 82              | 25,4 | 127,0   | 131,0 | -           | -    | -           | -    | -    | 131,0 |     |  |  |
| 84              | 23,5 | 124,0   | 131,0 | -           | -    | -           | -    | -    | 130,0 |     |  |  |
| 86              | 21,7 | 119,0   | 131,0 | -           | -    | -           | -    | -    | 129,0 |     |  |  |
| 90              | 18,3 | 109,0   | 130,0 | -           | -    | -           | -    | -    | 126,0 |     |  |  |
| 94              | 14,9 | 100,2   | 128,0 | -           | -    | -           | -    | -    | 124,0 |     |  |  |
| 98              | 11,8 | 92,7    | 117,0 | -           | -    | -           | -    | -    | 122,0 |     |  |  |
| 100             | 10,3 | 89,0    | 112,0 | -           | -    | -           | -    | -    | 121,0 |     |  |  |
| 102             | -    | 85,5    | 108,0 | -           | -    | -           | -    | -    | 120,0 |     |  |  |
| 104             | -    | 82,0    | 103,0 | 114,0       | -    | -           | -    | -    | 119,0 |     |  |  |
| 106             | -    | 77,5    | 99,5  | 114,0       | -    | -           | -    | -    | 118,0 |     |  |  |
| 110             | -    | 68,0    | 92,0  | 114,0       | -    | -           | -    | -    | 115,0 |     |  |  |
| 112             | -    | 63,0    | 88,0  | 110,0       | -    | -           | -    | -    | 114,0 |     |  |  |
| 114             | -    | -       | 84,5  | 105,0       | -    | -           | -    | -    | 113,0 |     |  |  |
| 118             | -    | -       | 78,5  | 97,5        | -    | -           | -    | -    | 110,0 |     |  |  |
| 122             | -    | -       | 72,5  | 90,0        | -    | -           | -    | -    | 100,0 |     |  |  |
| 126             | -    | -       | -     | 83,0        | 92,0 | -           | -    | -    | 91,0  |     |  |  |
| 130             | -    | -       | -     | 77,0        | 86,5 | -           | -    | -    | 81,5  |     |  |  |
| 134             | -    | -       | -     | 71,0        | 82,0 | -           | -    | -    | 72,5  |     |  |  |
| 138             | -    | -       | -     | -           | 77,5 | -           | -    | -    | 63,5  |     |  |  |
| 142             | -    | -       | -     | -           | 73,5 | -           | -    | -    | 55,5  |     |  |  |
| 144             | -    | -       | -     | -           | 71,5 | -           | -    | -    | 52,2  |     |  |  |
| 146             | -    | -       | -     | -           | -    | 51,0        | 50,0 |      |       |     |  |  |
| 150             | -    | -       | -     | -           | -    | 48,7        | 45,8 |      |       |     |  |  |
| 152             | -    | -       | -     | -           | -    | 47,5        | 41,9 |      |       |     |  |  |
| 154             | -    | -       | -     | -           | -    | -           | 38,1 |      |       |     |  |  |
| 158             | -    | -       | -     | -           | -    | -           | 30,4 |      |       |     |  |  |
| 162             | -    | -       | -     | -           | -    | -           | 22,5 |      |       |     |  |  |

|    |       |        |       |       |       |   |       |       |       |  |  |
|----|-------|--------|-------|-------|-------|---|-------|-------|-------|--|--|
| 20 | -     | 484,0* | -     | -     | -     | - | -     | -     | -     |  |  |
| 22 | -     | 469,0* | -     | -     | -     | - | -     | -     | -     |  |  |
| 24 | 259,0 | 511,0  | -     | -     | -     | - | -     | -     | 498,0 |  |  |
| 26 | 240,0 | 505,0  | -     | -     | -     | - | -     | -     | 498,0 |  |  |
| 28 | 223,0 | 494,0  | -     | -     | -     | - | -     | -     | 498,0 |  |  |
| 30 | 208,0 | 484,0  | -     | -     | -     | - | -     | -     | 498,0 |  |  |
| 34 | 182,0 | 463,0  | -     | -     | -     | - | -     | -     | 498,0 |  |  |
| 38 | 162,0 | 404,0  | -     | -     | -     | - | -     | -     | 498,0 |  |  |
| 42 | 140,0 | 347,0  | 502,0 | -     | -     | - | -     | -     | 480,0 |  |  |
| 44 | 131,0 | 324,0  | 497,0 | -     | -     | - | -     | -     | 466,0 |  |  |
| 46 | -     | -      | 474,0 | -     | -     | - | -     | -     | 455,0 |  |  |
| 50 | -     | -      | 411,0 | -     | -     | - | -     | -     | 417,0 |  |  |
| 54 | -     | -      | 353,0 | -     | -     | - | -     | -     | 376,0 |  |  |
| 56 | -     | -      | 329,0 | -     | -     | - | -     | -     | 359,0 |  |  |
| 58 | -     | -      | -     | -     | -     | - | -     | -     | 342,0 |  |  |
| 59 | -     | -      | -     | 337,0 | -     | - | -     | -     | 334,2 |  |  |
| 62 | -     | -      | -     | 318,0 | -     | - | -     | -     | 311,0 |  |  |
| 66 | -     | -      | -     | 297,0 | -     | - | -     | -     | 285,0 |  |  |
| 68 | -     | -      | -     | 287,0 | -     | - | -     | -     | 273,5 |  |  |
| 70 | -     | -      | -     | -     | -     | - | -     | -     | 262,0 |  |  |
| 74 | -     | -      | -     | -     | 243,0 | - | -     | -     | 241,0 |  |  |
| 78 | -     | -      | -     | -     | 229,0 | - | -     | -     | 223,0 |  |  |
| 79 | -     | -      | -     | -     | 226,0 | - | -     | -     | 217,2 |  |  |
| 82 | -     | -      | -     | -     | -     | - | -     | -     | 200,0 |  |  |
| 86 | -     | -      | -     | -     | -     | - | -     | -     | 178,0 |  |  |
| 87 | -     | -      | -     | -     | -     | - | 174,0 | 172,7 |       |  |  |
| 89 | -     | -      | -     | -     | -     | - | 169,0 | 162,2 |       |  |  |
| 90 | -     | -      | -     | -     | -     | - | -     | 157,0 |       |  |  |
| 94 | -     | -      | -     | -     | -     | - | -     | 137,0 |       |  |  |
| 98 | -     | -      | -     | -     | -     | - | -     | 127,0 |       |  |  |

6 m steps of luffing jib is standard · 6 m Stufung der Wippe ist Standard · Des paliers de 6 m sont de série pour la fléchette

Main boom angle 88°, 85°, 75°, 65°, 55° and 45°; capacities for intermediate boom positions are calculated by the crane control system IC-1  
 Hauptauslegerwinkel 88°, 85°, 75°, 65°, 55° und 45°; Traglasten für Zwischenstellungen des Hauptauslegers werden von der Kransteuerung IC-1 berechnet

Jarret de flèche principale 88°, 85°, 75°, 65°, 55° et 45° ; le système de commande de la grue IC-1 calcule les charges pour les positions intermédiaires de la flèche

\* Main boom angle 88° · Hauptauslegerwinkel 88° · Jarret de flèche principale 88°

| 295 t + 60 t ZB  |       | 19-30 m |       | 10,5 m |       | 9.8 m/s     |       | 360°  |   | ISO   |      |      |  |  |  |  |  |  |  |  |  |  |      |             |  |  |  |  |  |  |  |  |  |  |  |  |     |     |     |     |     |     |  |  |  |  |  |   |   |   |   |   |   |   |   |   |   |   |   |    |   |        |   |   |   |   |   |   |   |   |   |    |   |        |   |   |   |   |   |   |   |   |   |    |   |        |   |   |   |   |   |   |   |   |   |    |       |       |   |   |   |   |   |   |   |       |   |    |       |       |   |   |   |   |   |   |   |       |   |    |       |       |   |   |   |   |   |   |   |       |   |    |       |       |   |   |   |   |   |   |   |       |   |    |       |       |   |   |   |   |   |   |   |       |   |    |       |       |   |   |   |   |   |   |   |       |   |    |       |       |       |   |   |   |   |   |   |       |   |    |       |       |       |   |   |   |   |   |   |       |   |    |      |       |       |   |   |   |   |   |   |       |   |    |      |       |       |   |   |   |   |   |   |       |   |    |   |   |       |   |   |   |   |   |   |       |   |    |   |   |       |       |   |   |   |   |   |       |   |    |   |   |       |       |   |   |   |   |   |       |   |    |   |   |       |       |   |   |   |   |   |       |   |    |   |   |   |       |   |   |   |   |   |       |   |    |   |   |   |       |   |   |   |   |   |       |   |    |   |   |   |       |       |   |   |   |   |       |   |    |   |   |   |       |       |   |   |   |   |       |   |    |   |   |   |   |       |   |   |   |   |       |   |     |   |   |   |   |       |   |   |   |   |       |   |     |   |   |   |   |       |   |   |   |   |       |   |     |   |   |   |   |       |   |       |   |   |       |   |     |   |   |   |   |   |   |       |       |   |       |   |     |   |   |   |   |   |       |       |       |   |       |   |     |   |   |   |   |   |       |       |   |   |      |   |     |   |   |   |   |   |       |       |   |   |      |   |     |   |   |   |   |   |   |   |   |   |       |   |     |   |   |   |   |   |   |   |   |   |       |   |
|--|-------|---------|-------|--------|-------|-------------|-------|-------|---|-------|------|------|--|--|--|--|--|--|--|--|--|--|------|-------------|--|--|--|--|--|--|--|--|--|--|--|--|-----|-----|-----|-----|-----|-----|--|--|--|--|--|---|---|---|---|---|---|---|---|---|---|---|---|----|---|--------|---|---|---|---|---|---|---|---|---|----|---|--------|---|---|---|---|---|---|---|---|---|----|---|--------|---|---|---|---|---|---|---|---|---|----|-------|-------|---|---|---|---|---|---|---|-------|---|----|-------|-------|---|---|---|---|---|---|---|-------|---|----|-------|-------|---|---|---|---|---|---|---|-------|---|----|-------|-------|---|---|---|---|---|---|---|-------|---|----|-------|-------|---|---|---|---|---|---|---|-------|---|----|-------|-------|---|---|---|---|---|---|---|-------|---|----|-------|-------|-------|---|---|---|---|---|---|-------|---|----|-------|-------|-------|---|---|---|---|---|---|-------|---|----|------|-------|-------|---|---|---|---|---|---|-------|---|----|------|-------|-------|---|---|---|---|---|---|-------|---|----|---|---|-------|---|---|---|---|---|---|-------|---|----|---|---|-------|-------|---|---|---|---|---|-------|---|----|---|---|-------|-------|---|---|---|---|---|-------|---|----|---|---|-------|-------|---|---|---|---|---|-------|---|----|---|---|---|-------|---|---|---|---|---|-------|---|----|---|---|---|-------|---|---|---|---|---|-------|---|----|---|---|---|-------|-------|---|---|---|---|-------|---|----|---|---|---|-------|-------|---|---|---|---|-------|---|----|---|---|---|---|-------|---|---|---|---|-------|---|-----|---|---|---|---|-------|---|---|---|---|-------|---|-----|---|---|---|---|-------|---|---|---|---|-------|---|-----|---|---|---|---|-------|---|-------|---|---|-------|---|-----|---|---|---|---|---|---|-------|-------|---|-------|---|-----|---|---|---|---|---|-------|-------|-------|---|-------|---|-----|---|---|---|---|---|-------|-------|---|---|------|---|-----|---|---|---|---|---|-------|-------|---|---|------|---|-----|---|---|---|---|---|---|---|---|---|-------|---|-----|---|---|---|---|---|---|---|---|---|-------|---|
| 72 m + 48 m  |       |         |       |        |       | 72 m + 60 m |       |       |   |       |      |      |  |  |  |  |  |  |  |  |  |  |      |             |  |  |  |  |  |  |  |  |  |  |  |  |     |     |     |     |     |     |  |  |  |  |  |   |   |   |   |   |   |   |   |   |   |   |   |    |   |        |   |   |   |   |   |   |   |   |   |    |   |        |   |   |   |   |   |   |   |   |   |    |   |        |   |   |   |   |   |   |   |   |   |    |       |       |   |   |   |   |   |   |   |       |   |    |       |       |   |   |   |   |   |   |   |       |   |    |       |       |   |   |   |   |   |   |   |       |   |    |       |       |   |   |   |   |   |   |   |       |   |    |       |       |   |   |   |   |   |   |   |       |   |    |       |       |   |   |   |   |   |   |   |       |   |    |       |       |       |   |   |   |   |   |   |       |   |    |       |       |       |   |   |   |   |   |   |       |   |    |      |       |       |   |   |   |   |   |   |       |   |    |      |       |       |   |   |   |   |   |   |       |   |    |   |   |       |   |   |   |   |   |   |       |   |    |   |   |       |       |   |   |   |   |   |       |   |    |   |   |       |       |   |   |   |   |   |       |   |    |   |   |       |       |   |   |   |   |   |       |   |    |   |   |   |       |   |   |   |   |   |       |   |    |   |   |   |       |   |   |   |   |   |       |   |    |   |   |   |       |       |   |   |   |   |       |   |    |   |   |   |       |       |   |   |   |   |       |   |    |   |   |   |   |       |   |   |   |   |       |   |     |   |   |   |   |       |   |   |   |   |       |   |     |   |   |   |   |       |   |   |   |   |       |   |     |   |   |   |   |       |   |       |   |   |       |   |     |   |   |   |   |   |   |       |       |   |       |   |     |   |   |   |   |   |       |       |       |   |       |   |     |   |   |   |   |   |       |       |   |   |      |   |     |   |   |   |   |   |       |       |   |   |      |   |     |   |   |   |   |   |   |   |   |   |       |   |     |   |   |   |   |   |   |   |   |   |       |   |
| <table border="1"> <thead> <tr> <th colspan="11">SWSL</th> <th>SFSL</th> </tr> <tr> <th colspan="12">0 t - 640 t</th> </tr> <tr> <th></th> <th>85°</th> <th>85°</th> <th>75°</th> <th>65°</th> <th>55°</th> <th>45°</th> <th colspan="5"></th> </tr> <tr> <th>m</th> <th>t</th> <th>t</th> <th>t</th> <th>t</th> <th>t</th> <th>t</th> <th>t</th> <th>t</th> <th>t</th> <th>t</th> <th>t</th> </tr> </thead> <tbody> <tr><td>22</td><td>-</td><td>390,0*</td><td>-</td><td>-</td><td>-</td><td>-</td><td>-</td><td>-</td><td>-</td><td>-</td><td>-</td></tr> <tr><td>24</td><td>-</td><td>385,0*</td><td>-</td><td>-</td><td>-</td><td>-</td><td>-</td><td>-</td><td>-</td><td>-</td><td>-</td></tr> <tr><td>26</td><td>-</td><td>376,0*</td><td>-</td><td>-</td><td>-</td><td>-</td><td>-</td><td>-</td><td>-</td><td>-</td><td>-</td></tr> <tr><td>28</td><td>208,0</td><td>409,0</td><td>-</td><td>-</td><td>-</td><td>-</td><td>-</td><td>-</td><td>-</td><td>397,0</td><td>-</td></tr> <tr><td>30</td><td>194,0</td><td>405,0</td><td>-</td><td>-</td><td>-</td><td>-</td><td>-</td><td>-</td><td>-</td><td>397,0</td><td>-</td></tr> <tr><td>34</td><td>170,0</td><td>392,0</td><td>-</td><td>-</td><td>-</td><td>-</td><td>-</td><td>-</td><td>-</td><td>397,0</td><td>-</td></tr> <tr><td>38</td><td>151,0</td><td>378,0</td><td>-</td><td>-</td><td>-</td><td>-</td><td>-</td><td>-</td><td>-</td><td>397,0</td><td>-</td></tr> <tr><td>42</td><td>134,0</td><td>365,0</td><td>-</td><td>-</td><td>-</td><td>-</td><td>-</td><td>-</td><td>-</td><td>397,0</td><td>-</td></tr> <tr><td>46</td><td>120,0</td><td>326,0</td><td>-</td><td>-</td><td>-</td><td>-</td><td>-</td><td>-</td><td>-</td><td>392,0</td><td>-</td></tr> <tr><td>48</td><td>112,0</td><td>306,0</td><td>414,0</td><td>-</td><td>-</td><td>-</td><td>-</td><td>-</td><td>-</td><td>384,0</td><td>-</td></tr> <tr><td>50</td><td>105,0</td><td>288,0</td><td>414,0</td><td>-</td><td>-</td><td>-</td><td>-</td><td>-</td><td>-</td><td>375,0</td><td>-</td></tr> <tr><td>54</td><td>94,0</td><td>257,0</td><td>380,0</td><td>-</td><td>-</td><td>-</td><td>-</td><td>-</td><td>-</td><td>359,0</td><td>-</td></tr> <tr><td>58</td><td>-</td><td>-</td><td>331,0</td><td>-</td><td>-</td><td>-</td><td>-</td><td>-</td><td>-</td><td>345,0</td><td>-</td></tr> <tr><td>62</td><td>-</td><td>-</td><td>292,0</td><td>-</td><td>-</td><td>-</td><td>-</td><td>-</td><td>-</td><td>315,0</td><td>-</td></tr> <tr><td>66</td><td>-</td><td>-</td><td>261,0</td><td>-</td><td>-</td><td>-</td><td>-</td><td>-</td><td>-</td><td>288,0</td><td>-</td></tr> <tr><td>67</td><td>-</td><td>-</td><td>254,0</td><td>285,0</td><td>-</td><td>-</td><td>-</td><td>-</td><td>-</td><td>282,0</td><td>-</td></tr> <tr><td>68</td><td>-</td><td>-</td><td>247,0</td><td>280,0</td><td>-</td><td>-</td><td>-</td><td>-</td><td>-</td><td>276,0</td><td>-</td></tr> <tr><td>70</td><td>-</td><td>-</td><td>-</td><td>271,0</td><td>-</td><td>-</td><td>-</td><td>-</td><td>-</td><td>264,0</td><td>-</td></tr> <tr><td>74</td><td>-</td><td>-</td><td>-</td><td>254,0</td><td>-</td><td>-</td><td>-</td><td>-</td><td>-</td><td>244,0</td><td>-</td></tr> <tr><td>78</td><td>-</td><td>-</td><td>-</td><td>239,0</td><td>-</td><td>-</td><td>-</td><td>-</td><td>-</td><td>225,0</td><td>-</td></tr> <tr><td>80</td><td>-</td><td>-</td><td>-</td><td>232,0</td><td>-</td><td>-</td><td>-</td><td>-</td><td>-</td><td>216,5</td><td>-</td></tr> <tr><td>82</td><td>-</td><td>-</td><td>-</td><td>-</td><td>-</td><td>-</td><td>-</td><td>-</td><td>-</td><td>208,0</td><td>-</td></tr> <tr><td>83</td><td>-</td><td>-</td><td>-</td><td>-</td><td>206,0</td><td>-</td><td>-</td><td>-</td><td>-</td><td>204,2</td><td>-</td></tr> <tr><td>86</td><td>-</td><td>-</td><td>-</td><td>-</td><td>197,0</td><td>-</td><td>-</td><td>-</td><td>-</td><td>193,0</td><td>-</td></tr> <tr><td>90</td><td>-</td><td>-</td><td>-</td><td>-</td><td>187,0</td><td>-</td><td>-</td><td>-</td><td>-</td><td>174,0</td><td>-</td></tr> <tr><td>94</td><td>-</td><td>-</td><td>-</td><td>-</td><td>-</td><td>-</td><td>-</td><td>-</td><td>-</td><td>156,0</td><td>-</td></tr> <tr><td>97</td><td>-</td><td>-</td><td>-</td><td>-</td><td>-</td><td>144,0</td><td>-</td><td>-</td><td>-</td><td>143,2</td><td>-</td></tr> <tr><td>98</td><td>-</td><td>-</td><td>-</td><td>-</td><td>-</td><td>142,0</td><td>139,0</td><td>-</td><td>-</td><td>-</td><td>-</td></tr> <tr><td>100</td><td>-</td><td>-</td><td>-</td><td>-</td><td>-</td><td>138,0</td><td>130,5</td><td>-</td><td>-</td><td>-</td><td>-</td></tr> <tr><td>102</td><td>-</td><td>-</td><td>-</td><td>-</td><td>-</td><td>-</td><td>-</td><td>-</td><td>-</td><td>122,0</td><td>-</td></tr> <tr><td>106</td><td>-</td><td>-</td><td>-</td><td>-</td><td>-</td><td>-</td><td>-</td><td>-</td><td>-</td><td>109,0</td><td>-</td></tr> </tbody> </table> |       |         |       |        |       |             |       |       |   |       |      | SWSL |  |  |  |  |  |  |  |  |  |  | SFSL | 0 t - 640 t |  |  |  |  |  |  |  |  |  |  |  |  | 85° | 85° | 75° | 65° | 55° | 45° |  |  |  |  |  | m | t | t | t | t | t | t | t | t | t | t | t | 22 | - | 390,0* | - | - | - | - | - | - | - | - | - | 24 | - | 385,0* | - | - | - | - | - | - | - | - | - | 26 | - | 376,0* | - | - | - | - | - | - | - | - | - | 28 | 208,0 | 409,0 | - | - | - | - | - | - | - | 397,0 | - | 30 | 194,0 | 405,0 | - | - | - | - | - | - | - | 397,0 | - | 34 | 170,0 | 392,0 | - | - | - | - | - | - | - | 397,0 | - | 38 | 151,0 | 378,0 | - | - | - | - | - | - | - | 397,0 | - | 42 | 134,0 | 365,0 | - | - | - | - | - | - | - | 397,0 | - | 46 | 120,0 | 326,0 | - | - | - | - | - | - | - | 392,0 | - | 48 | 112,0 | 306,0 | 414,0 | - | - | - | - | - | - | 384,0 | - | 50 | 105,0 | 288,0 | 414,0 | - | - | - | - | - | - | 375,0 | - | 54 | 94,0 | 257,0 | 380,0 | - | - | - | - | - | - | 359,0 | - | 58 | -    | -     | 331,0 | - | - | - | - | - | - | 345,0 | - | 62 | - | - | 292,0 | - | - | - | - | - | - | 315,0 | - | 66 | - | - | 261,0 | -     | - | - | - | - | - | 288,0 | - | 67 | - | - | 254,0 | 285,0 | - | - | - | - | - | 282,0 | - | 68 | - | - | 247,0 | 280,0 | - | - | - | - | - | 276,0 | - | 70 | - | - | - | 271,0 | - | - | - | - | - | 264,0 | - | 74 | - | - | - | 254,0 | - | - | - | - | - | 244,0 | - | 78 | - | - | - | 239,0 | -     | - | - | - | - | 225,0 | - | 80 | - | - | - | 232,0 | -     | - | - | - | - | 216,5 | - | 82 | - | - | - | - | -     | - | - | - | - | 208,0 | - | 83  | - | - | - | - | 206,0 | - | - | - | - | 204,2 | - | 86  | - | - | - | - | 197,0 | - | - | - | - | 193,0 | - | 90  | - | - | - | - | 187,0 | - | -     | - | - | 174,0 | - | 94  | - | - | - | - | - | - | -     | -     | - | 156,0 | - | 97  | - | - | - | - | - | 144,0 | -     | -     | - | 143,2 | - | 98  | - | - | - | - | - | 142,0 | 139,0 | - | - | -    | - | 100 | - | - | - | - | - | 138,0 | 130,5 | - | - | -    | - | 102 | - | - | - | - | - | - | - | - | - | 122,0 | - | 106 | - | - | - | - | - | - | - | - | - | 109,0 | - |
| SWSL   |       |         |       |        |       |             |       |       |   |       | SFSL |      |  |  |  |  |  |  |  |  |  |  |      |             |  |  |  |  |  |  |  |  |  |  |  |  |     |     |     |     |     |     |  |  |  |  |  |   |   |   |   |   |   |   |   |   |   |   |   |    |   |        |   |   |   |   |   |   |   |   |   |    |   |        |   |   |   |   |   |   |   |   |   |    |   |        |   |   |   |   |   |   |   |   |   |    |       |       |   |   |   |   |   |   |   |       |   |    |       |       |   |   |   |   |   |   |   |       |   |    |       |       |   |   |   |   |   |   |   |       |   |    |       |       |   |   |   |   |   |   |   |       |   |    |       |       |   |   |   |   |   |   |   |       |   |    |       |       |   |   |   |   |   |   |   |       |   |    |       |       |       |   |   |   |   |   |   |       |   |    |       |       |       |   |   |   |   |   |   |       |   |    |      |       |       |   |   |   |   |   |   |       |   |    |      |       |       |   |   |   |   |   |   |       |   |    |   |   |       |   |   |   |   |   |   |       |   |    |   |   |       |       |   |   |   |   |   |       |   |    |   |   |       |       |   |   |   |   |   |       |   |    |   |   |       |       |   |   |   |   |   |       |   |    |   |   |   |       |   |   |   |   |   |       |   |    |   |   |   |       |   |   |   |   |   |       |   |    |   |   |   |       |       |   |   |   |   |       |   |    |   |   |   |       |       |   |   |   |   |       |   |    |   |   |   |   |       |   |   |   |   |       |   |     |   |   |   |   |       |   |   |   |   |       |   |     |   |   |   |   |       |   |   |   |   |       |   |     |   |   |   |   |       |   |       |   |   |       |   |     |   |   |   |   |   |   |       |       |   |       |   |     |   |   |   |   |   |       |       |       |   |       |   |     |   |   |   |   |   |       |       |   |   |      |   |     |   |   |   |   |   |       |       |   |   |      |   |     |   |   |   |   |   |   |   |   |   |       |   |     |   |   |   |   |   |   |   |   |   |       |   |
| 0 t - 640 t  |       |         |       |        |       |             |       |       |   |       |      |      |  |  |  |  |  |  |  |  |  |  |      |             |  |  |  |  |  |  |  |  |  |  |  |  |     |     |     |     |     |     |  |  |  |  |  |   |   |   |   |   |   |   |   |   |   |   |   |    |   |        |   |   |   |   |   |   |   |   |   |    |   |        |   |   |   |   |   |   |   |   |   |    |   |        |   |   |   |   |   |   |   |   |   |    |       |       |   |   |   |   |   |   |   |       |   |    |       |       |   |   |   |   |   |   |   |       |   |    |       |       |   |   |   |   |   |   |   |       |   |    |       |       |   |   |   |   |   |   |   |       |   |    |       |       |   |   |   |   |   |   |   |       |   |    |       |       |   |   |   |   |   |   |   |       |   |    |       |       |       |   |   |   |   |   |   |       |   |    |       |       |       |   |   |   |   |   |   |       |   |    |      |       |       |   |   |   |   |   |   |       |   |    |      |       |       |   |   |   |   |   |   |       |   |    |   |   |       |   |   |   |   |   |   |       |   |    |   |   |       |       |   |   |   |   |   |       |   |    |   |   |       |       |   |   |   |   |   |       |   |    |   |   |       |       |   |   |   |   |   |       |   |    |   |   |   |       |   |   |   |   |   |       |   |    |   |   |   |       |   |   |   |   |   |       |   |    |   |   |   |       |       |   |   |   |   |       |   |    |   |   |   |       |       |   |   |   |   |       |   |    |   |   |   |   |       |   |   |   |   |       |   |     |   |   |   |   |       |   |   |   |   |       |   |     |   |   |   |   |       |   |   |   |   |       |   |     |   |   |   |   |       |   |       |   |   |       |   |     |   |   |   |   |   |   |       |       |   |       |   |     |   |   |   |   |   |       |       |       |   |       |   |     |   |   |   |   |   |       |       |   |   |      |   |     |   |   |   |   |   |       |       |   |   |      |   |     |   |   |   |   |   |   |   |   |   |       |   |     |   |   |   |   |   |   |   |   |   |       |   |
|  | 85°   | 85°     | 75°   | 65°    | 55°   | 45°         |       |       |   |       |      |      |  |  |  |  |  |  |  |  |  |  |      |             |  |  |  |  |  |  |  |  |  |  |  |  |     |     |     |     |     |     |  |  |  |  |  |   |   |   |   |   |   |   |   |   |   |   |   |    |   |        |   |   |   |   |   |   |   |   |   |    |   |        |   |   |   |   |   |   |   |   |   |    |   |        |   |   |   |   |   |   |   |   |   |    |       |       |   |   |   |   |   |   |   |       |   |    |       |       |   |   |   |   |   |   |   |       |   |    |       |       |   |   |   |   |   |   |   |       |   |    |       |       |   |   |   |   |   |   |   |       |   |    |       |       |   |   |   |   |   |   |   |       |   |    |       |       |   |   |   |   |   |   |   |       |   |    |       |       |       |   |   |   |   |   |   |       |   |    |       |       |       |   |   |   |   |   |   |       |   |    |      |       |       |   |   |   |   |   |   |       |   |    |      |       |       |   |   |   |   |   |   |       |   |    |   |   |       |   |   |   |   |   |   |       |   |    |   |   |       |       |   |   |   |   |   |       |   |    |   |   |       |       |   |   |   |   |   |       |   |    |   |   |       |       |   |   |   |   |   |       |   |    |   |   |   |       |   |   |   |   |   |       |   |    |   |   |   |       |   |   |   |   |   |       |   |    |   |   |   |       |       |   |   |   |   |       |   |    |   |   |   |       |       |   |   |   |   |       |   |    |   |   |   |   |       |   |   |   |   |       |   |     |   |   |   |   |       |   |   |   |   |       |   |     |   |   |   |   |       |   |   |   |   |       |   |     |   |   |   |   |       |   |       |   |   |       |   |     |   |   |   |   |   |   |       |       |   |       |   |     |   |   |   |   |   |       |       |       |   |       |   |     |   |   |   |   |   |       |       |   |   |      |   |     |   |   |   |   |   |       |       |   |   |      |   |     |   |   |   |   |   |   |   |   |   |       |   |     |   |   |   |   |   |   |   |   |   |       |   |
| m  | t     | t       | t     | t      | t     | t           | t     | t     | t | t     | t    |      |  |  |  |  |  |  |  |  |  |  |      |             |  |  |  |  |  |  |  |  |  |  |  |  |     |     |     |     |     |     |  |  |  |  |  |   |   |   |   |   |   |   |   |   |   |   |   |    |   |        |   |   |   |   |   |   |   |   |   |    |   |        |   |   |   |   |   |   |   |   |   |    |   |        |   |   |   |   |   |   |   |   |   |    |       |       |   |   |   |   |   |   |   |       |   |    |       |       |   |   |   |   |   |   |   |       |   |    |       |       |   |   |   |   |   |   |   |       |   |    |       |       |   |   |   |   |   |   |   |       |   |    |       |       |   |   |   |   |   |   |   |       |   |    |       |       |   |   |   |   |   |   |   |       |   |    |       |       |       |   |   |   |   |   |   |       |   |    |       |       |       |   |   |   |   |   |   |       |   |    |      |       |       |   |   |   |   |   |   |       |   |    |      |       |       |   |   |   |   |   |   |       |   |    |   |   |       |   |   |   |   |   |   |       |   |    |   |   |       |       |   |   |   |   |   |       |   |    |   |   |       |       |   |   |   |   |   |       |   |    |   |   |       |       |   |   |   |   |   |       |   |    |   |   |   |       |   |   |   |   |   |       |   |    |   |   |   |       |   |   |   |   |   |       |   |    |   |   |   |       |       |   |   |   |   |       |   |    |   |   |   |       |       |   |   |   |   |       |   |    |   |   |   |   |       |   |   |   |   |       |   |     |   |   |   |   |       |   |   |   |   |       |   |     |   |   |   |   |       |   |   |   |   |       |   |     |   |   |   |   |       |   |       |   |   |       |   |     |   |   |   |   |   |   |       |       |   |       |   |     |   |   |   |   |   |       |       |       |   |       |   |     |   |   |   |   |   |       |       |   |   |      |   |     |   |   |   |   |   |       |       |   |   |      |   |     |   |   |   |   |   |   |   |   |   |       |   |     |   |   |   |   |   |   |   |   |   |       |   |
| 22   | -     | 390,0*  | -     | -      | -     | -           | -     | -     | - | -     | -    |      |  |  |  |  |  |  |  |  |  |  |      |             |  |  |  |  |  |  |  |  |  |  |  |  |     |     |     |     |     |     |  |  |  |  |  |   |   |   |   |   |   |   |   |   |   |   |   |    |   |        |   |   |   |   |   |   |   |   |   |    |   |        |   |   |   |   |   |   |   |   |   |    |   |        |   |   |   |   |   |   |   |   |   |    |       |       |   |   |   |   |   |   |   |       |   |    |       |       |   |   |   |   |   |   |   |       |   |    |       |       |   |   |   |   |   |   |   |       |   |    |       |       |   |   |   |   |   |   |   |       |   |    |       |       |   |   |   |   |   |   |   |       |   |    |       |       |   |   |   |   |   |   |   |       |   |    |       |       |       |   |   |   |   |   |   |       |   |    |       |       |       |   |   |   |   |   |   |       |   |    |      |       |       |   |   |   |   |   |   |       |   |    |      |       |       |   |   |   |   |   |   |       |   |    |   |   |       |   |   |   |   |   |   |       |   |    |   |   |       |       |   |   |   |   |   |       |   |    |   |   |       |       |   |   |   |   |   |       |   |    |   |   |       |       |   |   |   |   |   |       |   |    |   |   |   |       |   |   |   |   |   |       |   |    |   |   |   |       |   |   |   |   |   |       |   |    |   |   |   |       |       |   |   |   |   |       |   |    |   |   |   |       |       |   |   |   |   |       |   |    |   |   |   |   |       |   |   |   |   |       |   |     |   |   |   |   |       |   |   |   |   |       |   |     |   |   |   |   |       |   |   |   |   |       |   |     |   |   |   |   |       |   |       |   |   |       |   |     |   |   |   |   |   |   |       |       |   |       |   |     |   |   |   |   |   |       |       |       |   |       |   |     |   |   |   |   |   |       |       |   |   |      |   |     |   |   |   |   |   |       |       |   |   |      |   |     |   |   |   |   |   |   |   |   |   |       |   |     |   |   |   |   |   |   |   |   |   |       |   |
| 24   | -     | 385,0*  | -     | -      | -     | -           | -     | -     | - | -     | -    |      |  |  |  |  |  |  |  |  |  |  |      |             |  |  |  |  |  |  |  |  |  |  |  |  |     |     |     |     |     |     |  |  |  |  |  |   |   |   |   |   |   |   |   |   |   |   |   |    |   |        |   |   |   |   |   |   |   |   |   |    |   |        |   |   |   |   |   |   |   |   |   |    |   |        |   |   |   |   |   |   |   |   |   |    |       |       |   |   |   |   |   |   |   |       |   |    |       |       |   |   |   |   |   |   |   |       |   |    |       |       |   |   |   |   |   |   |   |       |   |    |       |       |   |   |   |   |   |   |   |       |   |    |       |       |   |   |   |   |   |   |   |       |   |    |       |       |   |   |   |   |   |   |   |       |   |    |       |       |       |   |   |   |   |   |   |       |   |    |       |       |       |   |   |   |   |   |   |       |   |    |      |       |       |   |   |   |   |   |   |       |   |    |      |       |       |   |   |   |   |   |   |       |   |    |   |   |       |   |   |   |   |   |   |       |   |    |   |   |       |       |   |   |   |   |   |       |   |    |   |   |       |       |   |   |   |   |   |       |   |    |   |   |       |       |   |   |   |   |   |       |   |    |   |   |   |       |   |   |   |   |   |       |   |    |   |   |   |       |   |   |   |   |   |       |   |    |   |   |   |       |       |   |   |   |   |       |   |    |   |   |   |       |       |   |   |   |   |       |   |    |   |   |   |   |       |   |   |   |   |       |   |     |   |   |   |   |       |   |   |   |   |       |   |     |   |   |   |   |       |   |   |   |   |       |   |     |   |   |   |   |       |   |       |   |   |       |   |     |   |   |   |   |   |   |       |       |   |       |   |     |   |   |   |   |   |       |       |       |   |       |   |     |   |   |   |   |   |       |       |   |   |      |   |     |   |   |   |   |   |       |       |   |   |      |   |     |   |   |   |   |   |   |   |   |   |       |   |     |   |   |   |   |   |   |   |   |   |       |   |
| 26   | -     | 376,0*  | -     | -      | -     | -           | -     | -     | - | -     | -    |      |  |  |  |  |  |  |  |  |  |  |      |             |  |  |  |  |  |  |  |  |  |  |  |  |     |     |     |     |     |     |  |  |  |  |  |   |   |   |   |   |   |   |   |   |   |   |   |    |   |        |   |   |   |   |   |   |   |   |   |    |   |        |   |   |   |   |   |   |   |   |   |    |   |        |   |   |   |   |   |   |   |   |   |    |       |       |   |   |   |   |   |   |   |       |   |    |       |       |   |   |   |   |   |   |   |       |   |    |       |       |   |   |   |   |   |   |   |       |   |    |       |       |   |   |   |   |   |   |   |       |   |    |       |       |   |   |   |   |   |   |   |       |   |    |       |       |   |   |   |   |   |   |   |       |   |    |       |       |       |   |   |   |   |   |   |       |   |    |       |       |       |   |   |   |   |   |   |       |   |    |      |       |       |   |   |   |   |   |   |       |   |    |      |       |       |   |   |   |   |   |   |       |   |    |   |   |       |   |   |   |   |   |   |       |   |    |   |   |       |       |   |   |   |   |   |       |   |    |   |   |       |       |   |   |   |   |   |       |   |    |   |   |       |       |   |   |   |   |   |       |   |    |   |   |   |       |   |   |   |   |   |       |   |    |   |   |   |       |   |   |   |   |   |       |   |    |   |   |   |       |       |   |   |   |   |       |   |    |   |   |   |       |       |   |   |   |   |       |   |    |   |   |   |   |       |   |   |   |   |       |   |     |   |   |   |   |       |   |   |   |   |       |   |     |   |   |   |   |       |   |   |   |   |       |   |     |   |   |   |   |       |   |       |   |   |       |   |     |   |   |   |   |   |   |       |       |   |       |   |     |   |   |   |   |   |       |       |       |   |       |   |     |   |   |   |   |   |       |       |   |   |      |   |     |   |   |   |   |   |       |       |   |   |      |   |     |   |   |   |   |   |   |   |   |   |       |   |     |   |   |   |   |   |   |   |   |   |       |   |
| 28   | 208,0 | 409,0   | -     | -      | -     | -           | -     | -     | - | 397,0 | -    |      |  |  |  |  |  |  |  |  |  |  |      |             |  |  |  |  |  |  |  |  |  |  |  |  |     |     |     |     |     |     |  |  |  |  |  |   |   |   |   |   |   |   |   |   |   |   |   |    |   |        |   |   |   |   |   |   |   |   |   |    |   |        |   |   |   |   |   |   |   |   |   |    |   |        |   |   |   |   |   |   |   |   |   |    |       |       |   |   |   |   |   |   |   |       |   |    |       |       |   |   |   |   |   |   |   |       |   |    |       |       |   |   |   |   |   |   |   |       |   |    |       |       |   |   |   |   |   |   |   |       |   |    |       |       |   |   |   |   |   |   |   |       |   |    |       |       |   |   |   |   |   |   |   |       |   |    |       |       |       |   |   |   |   |   |   |       |   |    |       |       |       |   |   |   |   |   |   |       |   |    |      |       |       |   |   |   |   |   |   |       |   |    |      |       |       |   |   |   |   |   |   |       |   |    |   |   |       |   |   |   |   |   |   |       |   |    |   |   |       |       |   |   |   |   |   |       |   |    |   |   |       |       |   |   |   |   |   |       |   |    |   |   |       |       |   |   |   |   |   |       |   |    |   |   |   |       |   |   |   |   |   |       |   |    |   |   |   |       |   |   |   |   |   |       |   |    |   |   |   |       |       |   |   |   |   |       |   |    |   |   |   |       |       |   |   |   |   |       |   |    |   |   |   |   |       |   |   |   |   |       |   |     |   |   |   |   |       |   |   |   |   |       |   |     |   |   |   |   |       |   |   |   |   |       |   |     |   |   |   |   |       |   |       |   |   |       |   |     |   |   |   |   |   |   |       |       |   |       |   |     |   |   |   |   |   |       |       |       |   |       |   |     |   |   |   |   |   |       |       |   |   |      |   |     |   |   |   |   |   |       |       |   |   |      |   |     |   |   |   |   |   |   |   |   |   |       |   |     |   |   |   |   |   |   |   |   |   |       |   |
| 30   | 194,0 | 405,0   | -     | -      | -     | -           | -     | -     | - | 397,0 | -    |      |  |  |  |  |  |  |  |  |  |  |      |             |  |  |  |  |  |  |  |  |  |  |  |  |     |     |     |     |     |     |  |  |  |  |  |   |   |   |   |   |   |   |   |   |   |   |   |    |   |        |   |   |   |   |   |   |   |   |   |    |   |        |   |   |   |   |   |   |   |   |   |    |   |        |   |   |   |   |   |   |   |   |   |    |       |       |   |   |   |   |   |   |   |       |   |    |       |       |   |   |   |   |   |   |   |       |   |    |       |       |   |   |   |   |   |   |   |       |   |    |       |       |   |   |   |   |   |   |   |       |   |    |       |       |   |   |   |   |   |   |   |       |   |    |       |       |   |   |   |   |   |   |   |       |   |    |       |       |       |   |   |   |   |   |   |       |   |    |       |       |       |   |   |   |   |   |   |       |   |    |      |       |       |   |   |   |   |   |   |       |   |    |      |       |       |   |   |   |   |   |   |       |   |    |   |   |       |   |   |   |   |   |   |       |   |    |   |   |       |       |   |   |   |   |   |       |   |    |   |   |       |       |   |   |   |   |   |       |   |    |   |   |       |       |   |   |   |   |   |       |   |    |   |   |   |       |   |   |   |   |   |       |   |    |   |   |   |       |   |   |   |   |   |       |   |    |   |   |   |       |       |   |   |   |   |       |   |    |   |   |   |       |       |   |   |   |   |       |   |    |   |   |   |   |       |   |   |   |   |       |   |     |   |   |   |   |       |   |   |   |   |       |   |     |   |   |   |   |       |   |   |   |   |       |   |     |   |   |   |   |       |   |       |   |   |       |   |     |   |   |   |   |   |   |       |       |   |       |   |     |   |   |   |   |   |       |       |       |   |       |   |     |   |   |   |   |   |       |       |   |   |      |   |     |   |   |   |   |   |       |       |   |   |      |   |     |   |   |   |   |   |   |   |   |   |       |   |     |   |   |   |   |   |   |   |   |   |       |   |
| 34   | 170,0 | 392,0   | -     | -      | -     | -           | -     | -     | - | 397,0 | -    |      |  |  |  |  |  |  |  |  |  |  |      |             |  |  |  |  |  |  |  |  |  |  |  |  |     |     |     |     |     |     |  |  |  |  |  |   |   |   |   |   |   |   |   |   |   |   |   |    |   |        |   |   |   |   |   |   |   |   |   |    |   |        |   |   |   |   |   |   |   |   |   |    |   |        |   |   |   |   |   |   |   |   |   |    |       |       |   |   |   |   |   |   |   |       |   |    |       |       |   |   |   |   |   |   |   |       |   |    |       |       |   |   |   |   |   |   |   |       |   |    |       |       |   |   |   |   |   |   |   |       |   |    |       |       |   |   |   |   |   |   |   |       |   |    |       |       |   |   |   |   |   |   |   |       |   |    |       |       |       |   |   |   |   |   |   |       |   |    |       |       |       |   |   |   |   |   |   |       |   |    |      |       |       |   |   |   |   |   |   |       |   |    |      |       |       |   |   |   |   |   |   |       |   |    |   |   |       |   |   |   |   |   |   |       |   |    |   |   |       |       |   |   |   |   |   |       |   |    |   |   |       |       |   |   |   |   |   |       |   |    |   |   |       |       |   |   |   |   |   |       |   |    |   |   |   |       |   |   |   |   |   |       |   |    |   |   |   |       |   |   |   |   |   |       |   |    |   |   |   |       |       |   |   |   |   |       |   |    |   |   |   |       |       |   |   |   |   |       |   |    |   |   |   |   |       |   |   |   |   |       |   |     |   |   |   |   |       |   |   |   |   |       |   |     |   |   |   |   |       |   |   |   |   |       |   |     |   |   |   |   |       |   |       |   |   |       |   |     |   |   |   |   |   |   |       |       |   |       |   |     |   |   |   |   |   |       |       |       |   |       |   |     |   |   |   |   |   |       |       |   |   |      |   |     |   |   |   |   |   |       |       |   |   |      |   |     |   |   |   |   |   |   |   |   |   |       |   |     |   |   |   |   |   |   |   |   |   |       |   |
| 38   | 151,0 | 378,0   | -     | -      | -     | -           | -     | -     | - | 397,0 | -    |      |  |  |  |  |  |  |  |  |  |  |      |             |  |  |  |  |  |  |  |  |  |  |  |  |     |     |     |     |     |     |  |  |  |  |  |   |   |   |   |   |   |   |   |   |   |   |   |    |   |        |   |   |   |   |   |   |   |   |   |    |   |        |   |   |   |   |   |   |   |   |   |    |   |        |   |   |   |   |   |   |   |   |   |    |       |       |   |   |   |   |   |   |   |       |   |    |       |       |   |   |   |   |   |   |   |       |   |    |       |       |   |   |   |   |   |   |   |       |   |    |       |       |   |   |   |   |   |   |   |       |   |    |       |       |   |   |   |   |   |   |   |       |   |    |       |       |   |   |   |   |   |   |   |       |   |    |       |       |       |   |   |   |   |   |   |       |   |    |       |       |       |   |   |   |   |   |   |       |   |    |      |       |       |   |   |   |   |   |   |       |   |    |      |       |       |   |   |   |   |   |   |       |   |    |   |   |       |   |   |   |   |   |   |       |   |    |   |   |       |       |   |   |   |   |   |       |   |    |   |   |       |       |   |   |   |   |   |       |   |    |   |   |       |       |   |   |   |   |   |       |   |    |   |   |   |       |   |   |   |   |   |       |   |    |   |   |   |       |   |   |   |   |   |       |   |    |   |   |   |       |       |   |   |   |   |       |   |    |   |   |   |       |       |   |   |   |   |       |   |    |   |   |   |   |       |   |   |   |   |       |   |     |   |   |   |   |       |   |   |   |   |       |   |     |   |   |   |   |       |   |   |   |   |       |   |     |   |   |   |   |       |   |       |   |   |       |   |     |   |   |   |   |   |   |       |       |   |       |   |     |   |   |   |   |   |       |       |       |   |       |   |     |   |   |   |   |   |       |       |   |   |      |   |     |   |   |   |   |   |       |       |   |   |      |   |     |   |   |   |   |   |   |   |   |   |       |   |     |   |   |   |   |   |   |   |   |   |       |   |
| 42   | 134,0 | 365,0   | -     | -      | -     | -           | -     | -     | - | 397,0 | -    |      |  |  |  |  |  |  |  |  |  |  |      |             |  |  |  |  |  |  |  |  |  |  |  |  |     |     |     |     |     |     |  |  |  |  |  |   |   |   |   |   |   |   |   |   |   |   |   |    |   |        |   |   |   |   |   |   |   |   |   |    |   |        |   |   |   |   |   |   |   |   |   |    |   |        |   |   |   |   |   |   |   |   |   |    |       |       |   |   |   |   |   |   |   |       |   |    |       |       |   |   |   |   |   |   |   |       |   |    |       |       |   |   |   |   |   |   |   |       |   |    |       |       |   |   |   |   |   |   |   |       |   |    |       |       |   |   |   |   |   |   |   |       |   |    |       |       |   |   |   |   |   |   |   |       |   |    |       |       |       |   |   |   |   |   |   |       |   |    |       |       |       |   |   |   |   |   |   |       |   |    |      |       |       |   |   |   |   |   |   |       |   |    |      |       |       |   |   |   |   |   |   |       |   |    |   |   |       |   |   |   |   |   |   |       |   |    |   |   |       |       |   |   |   |   |   |       |   |    |   |   |       |       |   |   |   |   |   |       |   |    |   |   |       |       |   |   |   |   |   |       |   |    |   |   |   |       |   |   |   |   |   |       |   |    |   |   |   |       |   |   |   |   |   |       |   |    |   |   |   |       |       |   |   |   |   |       |   |    |   |   |   |       |       |   |   |   |   |       |   |    |   |   |   |   |       |   |   |   |   |       |   |     |   |   |   |   |       |   |   |   |   |       |   |     |   |   |   |   |       |   |   |   |   |       |   |     |   |   |   |   |       |   |       |   |   |       |   |     |   |   |   |   |   |   |       |       |   |       |   |     |   |   |   |   |   |       |       |       |   |       |   |     |   |   |   |   |   |       |       |   |   |      |   |     |   |   |   |   |   |       |       |   |   |      |   |     |   |   |   |   |   |   |   |   |   |       |   |     |   |   |   |   |   |   |   |   |   |       |   |
| 46   | 120,0 | 326,0   | -     | -      | -     | -           | -     | -     | - | 392,0 | -    |      |  |  |  |  |  |  |  |  |  |  |      |             |  |  |  |  |  |  |  |  |  |  |  |  |     |     |     |     |     |     |  |  |  |  |  |   |   |   |   |   |   |   |   |   |   |   |   |    |   |        |   |   |   |   |   |   |   |   |   |    |   |        |   |   |   |   |   |   |   |   |   |    |   |        |   |   |   |   |   |   |   |   |   |    |       |       |   |   |   |   |   |   |   |       |   |    |       |       |   |   |   |   |   |   |   |       |   |    |       |       |   |   |   |   |   |   |   |       |   |    |       |       |   |   |   |   |   |   |   |       |   |    |       |       |   |   |   |   |   |   |   |       |   |    |       |       |   |   |   |   |   |   |   |       |   |    |       |       |       |   |   |   |   |   |   |       |   |    |       |       |       |   |   |   |   |   |   |       |   |    |      |       |       |   |   |   |   |   |   |       |   |    |      |       |       |   |   |   |   |   |   |       |   |    |   |   |       |   |   |   |   |   |   |       |   |    |   |   |       |       |   |   |   |   |   |       |   |    |   |   |       |       |   |   |   |   |   |       |   |    |   |   |       |       |   |   |   |   |   |       |   |    |   |   |   |       |   |   |   |   |   |       |   |    |   |   |   |       |   |   |   |   |   |       |   |    |   |   |   |       |       |   |   |   |   |       |   |    |   |   |   |       |       |   |   |   |   |       |   |    |   |   |   |   |       |   |   |   |   |       |   |     |   |   |   |   |       |   |   |   |   |       |   |     |   |   |   |   |       |   |   |   |   |       |   |     |   |   |   |   |       |   |       |   |   |       |   |     |   |   |   |   |   |   |       |       |   |       |   |     |   |   |   |   |   |       |       |       |   |       |   |     |   |   |   |   |   |       |       |   |   |      |   |     |   |   |   |   |   |       |       |   |   |      |   |     |   |   |   |   |   |   |   |   |   |       |   |     |   |   |   |   |   |   |   |   |   |       |   |
| 48   | 112,0 | 306,0   | 414,0 | -      | -     | -           | -     | -     | - | 384,0 | -    |      |  |  |  |  |  |  |  |  |  |  |      |             |  |  |  |  |  |  |  |  |  |  |  |  |     |     |     |     |     |     |  |  |  |  |  |   |   |   |   |   |   |   |   |   |   |   |   |    |   |        |   |   |   |   |   |   |   |   |   |    |   |        |   |   |   |   |   |   |   |   |   |    |   |        |   |   |   |   |   |   |   |   |   |    |       |       |   |   |   |   |   |   |   |       |   |    |       |       |   |   |   |   |   |   |   |       |   |    |       |       |   |   |   |   |   |   |   |       |   |    |       |       |   |   |   |   |   |   |   |       |   |    |       |       |   |   |   |   |   |   |   |       |   |    |       |       |   |   |   |   |   |   |   |       |   |    |       |       |       |   |   |   |   |   |   |       |   |    |       |       |       |   |   |   |   |   |   |       |   |    |      |       |       |   |   |   |   |   |   |       |   |    |      |       |       |   |   |   |   |   |   |       |   |    |   |   |       |   |   |   |   |   |   |       |   |    |   |   |       |       |   |   |   |   |   |       |   |    |   |   |       |       |   |   |   |   |   |       |   |    |   |   |       |       |   |   |   |   |   |       |   |    |   |   |   |       |   |   |   |   |   |       |   |    |   |   |   |       |   |   |   |   |   |       |   |    |   |   |   |       |       |   |   |   |   |       |   |    |   |   |   |       |       |   |   |   |   |       |   |    |   |   |   |   |       |   |   |   |   |       |   |     |   |   |   |   |       |   |   |   |   |       |   |     |   |   |   |   |       |   |   |   |   |       |   |     |   |   |   |   |       |   |       |   |   |       |   |     |   |   |   |   |   |   |       |       |   |       |   |     |   |   |   |   |   |       |       |       |   |       |   |     |   |   |   |   |   |       |       |   |   |      |   |     |   |   |   |   |   |       |       |   |   |      |   |     |   |   |   |   |   |   |   |   |   |       |   |     |   |   |   |   |   |   |   |   |   |       |   |
| 50   | 105,0 | 288,0   | 414,0 | -      | -     | -           | -     | -     | - | 375,0 | -    |      |  |  |  |  |  |  |  |  |  |  |      |             |  |  |  |  |  |  |  |  |  |  |  |  |     |     |     |     |     |     |  |  |  |  |  |   |   |   |   |   |   |   |   |   |   |   |   |    |   |        |   |   |   |   |   |   |   |   |   |    |   |        |   |   |   |   |   |   |   |   |   |    |   |        |   |   |   |   |   |   |   |   |   |    |       |       |   |   |   |   |   |   |   |       |   |    |       |       |   |   |   |   |   |   |   |       |   |    |       |       |   |   |   |   |   |   |   |       |   |    |       |       |   |   |   |   |   |   |   |       |   |    |       |       |   |   |   |   |   |   |   |       |   |    |       |       |   |   |   |   |   |   |   |       |   |    |       |       |       |   |   |   |   |   |   |       |   |    |       |       |       |   |   |   |   |   |   |       |   |    |      |       |       |   |   |   |   |   |   |       |   |    |      |       |       |   |   |   |   |   |   |       |   |    |   |   |       |   |   |   |   |   |   |       |   |    |   |   |       |       |   |   |   |   |   |       |   |    |   |   |       |       |   |   |   |   |   |       |   |    |   |   |       |       |   |   |   |   |   |       |   |    |   |   |   |       |   |   |   |   |   |       |   |    |   |   |   |       |   |   |   |   |   |       |   |    |   |   |   |       |       |   |   |   |   |       |   |    |   |   |   |       |       |   |   |   |   |       |   |    |   |   |   |   |       |   |   |   |   |       |   |     |   |   |   |   |       |   |   |   |   |       |   |     |   |   |   |   |       |   |   |   |   |       |   |     |   |   |   |   |       |   |       |   |   |       |   |     |   |   |   |   |   |   |       |       |   |       |   |     |   |   |   |   |   |       |       |       |   |       |   |     |   |   |   |   |   |       |       |   |   |      |   |     |   |   |   |   |   |       |       |   |   |      |   |     |   |   |   |   |   |   |   |   |   |       |   |     |   |   |   |   |   |   |   |   |   |       |   |
| 54   | 94,0  | 257,0   | 380,0 | -      | -     | -           | -     | -     | - | 359,0 | -    |      |  |  |  |  |  |  |  |  |  |  |      |             |  |  |  |  |  |  |  |  |  |  |  |  |     |     |     |     |     |     |  |  |  |  |  |   |   |   |   |   |   |   |   |   |   |   |   |    |   |        |   |   |   |   |   |   |   |   |   |    |   |        |   |   |   |   |   |   |   |   |   |    |   |        |   |   |   |   |   |   |   |   |   |    |       |       |   |   |   |   |   |   |   |       |   |    |       |       |   |   |   |   |   |   |   |       |   |    |       |       |   |   |   |   |   |   |   |       |   |    |       |       |   |   |   |   |   |   |   |       |   |    |       |       |   |   |   |   |   |   |   |       |   |    |       |       |   |   |   |   |   |   |   |       |   |    |       |       |       |   |   |   |   |   |   |       |   |    |       |       |       |   |   |   |   |   |   |       |   |    |      |       |       |   |   |   |   |   |   |       |   |    |      |       |       |   |   |   |   |   |   |       |   |    |   |   |       |   |   |   |   |   |   |       |   |    |   |   |       |       |   |   |   |   |   |       |   |    |   |   |       |       |   |   |   |   |   |       |   |    |   |   |       |       |   |   |   |   |   |       |   |    |   |   |   |       |   |   |   |   |   |       |   |    |   |   |   |       |   |   |   |   |   |       |   |    |   |   |   |       |       |   |   |   |   |       |   |    |   |   |   |       |       |   |   |   |   |       |   |    |   |   |   |   |       |   |   |   |   |       |   |     |   |   |   |   |       |   |   |   |   |       |   |     |   |   |   |   |       |   |   |   |   |       |   |     |   |   |   |   |       |   |       |   |   |       |   |     |   |   |   |   |   |   |       |       |   |       |   |     |   |   |   |   |   |       |       |       |   |       |   |     |   |   |   |   |   |       |       |   |   |      |   |     |   |   |   |   |   |       |       |   |   |      |   |     |   |   |   |   |   |   |   |   |   |       |   |     |   |   |   |   |   |   |   |   |   |       |   |
| 58   | -     | -       | 331,0 | -      | -     | -           | -     | -     | - | 345,0 | -    |      |  |  |  |  |  |  |  |  |  |  |      |             |  |  |  |  |  |  |  |  |  |  |  |  |     |     |     |     |     |     |  |  |  |  |  |   |   |   |   |   |   |   |   |   |   |   |   |    |   |        |   |   |   |   |   |   |   |   |   |    |   |        |   |   |   |   |   |   |   |   |   |    |   |        |   |   |   |   |   |   |   |   |   |    |       |       |   |   |   |   |   |   |   |       |   |    |       |       |   |   |   |   |   |   |   |       |   |    |       |       |   |   |   |   |   |   |   |       |   |    |       |       |   |   |   |   |   |   |   |       |   |    |       |       |   |   |   |   |   |   |   |       |   |    |       |       |   |   |   |   |   |   |   |       |   |    |       |       |       |   |   |   |   |   |   |       |   |    |       |       |       |   |   |   |   |   |   |       |   |    |      |       |       |   |   |   |   |   |   |       |   |    |      |       |       |   |   |   |   |   |   |       |   |    |   |   |       |   |   |   |   |   |   |       |   |    |   |   |       |       |   |   |   |   |   |       |   |    |   |   |       |       |   |   |   |   |   |       |   |    |   |   |       |       |   |   |   |   |   |       |   |    |   |   |   |       |   |   |   |   |   |       |   |    |   |   |   |       |   |   |   |   |   |       |   |    |   |   |   |       |       |   |   |   |   |       |   |    |   |   |   |       |       |   |   |   |   |       |   |    |   |   |   |   |       |   |   |   |   |       |   |     |   |   |   |   |       |   |   |   |   |       |   |     |   |   |   |   |       |   |   |   |   |       |   |     |   |   |   |   |       |   |       |   |   |       |   |     |   |   |   |   |   |   |       |       |   |       |   |     |   |   |   |   |   |       |       |       |   |       |   |     |   |   |   |   |   |       |       |   |   |      |   |     |   |   |   |   |   |       |       |   |   |      |   |     |   |   |   |   |   |   |   |   |   |       |   |     |   |   |   |   |   |   |   |   |   |       |   |
| 62   | -     | -       | 292,0 | -      | -     | -           | -     | -     | - | 315,0 | -    |      |  |  |  |  |  |  |  |  |  |  |      |             |  |  |  |  |  |  |  |  |  |  |  |  |     |     |     |     |     |     |  |  |  |  |  |   |   |   |   |   |   |   |   |   |   |   |   |    |   |        |   |   |   |   |   |   |   |   |   |    |   |        |   |   |   |   |   |   |   |   |   |    |   |        |   |   |   |   |   |   |   |   |   |    |       |       |   |   |   |   |   |   |   |       |   |    |       |       |   |   |   |   |   |   |   |       |   |    |       |       |   |   |   |   |   |   |   |       |   |    |       |       |   |   |   |   |   |   |   |       |   |    |       |       |   |   |   |   |   |   |   |       |   |    |       |       |   |   |   |   |   |   |   |       |   |    |       |       |       |   |   |   |   |   |   |       |   |    |       |       |       |   |   |   |   |   |   |       |   |    |      |       |       |   |   |   |   |   |   |       |   |    |      |       |       |   |   |   |   |   |   |       |   |    |   |   |       |   |   |   |   |   |   |       |   |    |   |   |       |       |   |   |   |   |   |       |   |    |   |   |       |       |   |   |   |   |   |       |   |    |   |   |       |       |   |   |   |   |   |       |   |    |   |   |   |       |   |   |   |   |   |       |   |    |   |   |   |       |   |   |   |   |   |       |   |    |   |   |   |       |       |   |   |   |   |       |   |    |   |   |   |       |       |   |   |   |   |       |   |    |   |   |   |   |       |   |   |   |   |       |   |     |   |   |   |   |       |   |   |   |   |       |   |     |   |   |   |   |       |   |   |   |   |       |   |     |   |   |   |   |       |   |       |   |   |       |   |     |   |   |   |   |   |   |       |       |   |       |   |     |   |   |   |   |   |       |       |       |   |       |   |     |   |   |   |   |   |       |       |   |   |      |   |     |   |   |   |   |   |       |       |   |   |      |   |     |   |   |   |   |   |   |   |   |   |       |   |     |   |   |   |   |   |   |   |   |   |       |   |
| 66   | -     | -       | 261,0 | -      | -     | -           | -     | -     | - | 288,0 | -    |      |  |  |  |  |  |  |  |  |  |  |      |             |  |  |  |  |  |  |  |  |  |  |  |  |     |     |     |     |     |     |  |  |  |  |  |   |   |   |   |   |   |   |   |   |   |   |   |    |   |        |   |   |   |   |   |   |   |   |   |    |   |        |   |   |   |   |   |   |   |   |   |    |   |        |   |   |   |   |   |   |   |   |   |    |       |       |   |   |   |   |   |   |   |       |   |    |       |       |   |   |   |   |   |   |   |       |   |    |       |       |   |   |   |   |   |   |   |       |   |    |       |       |   |   |   |   |   |   |   |       |   |    |       |       |   |   |   |   |   |   |   |       |   |    |       |       |   |   |   |   |   |   |   |       |   |    |       |       |       |   |   |   |   |   |   |       |   |    |       |       |       |   |   |   |   |   |   |       |   |    |      |       |       |   |   |   |   |   |   |       |   |    |      |       |       |   |   |   |   |   |   |       |   |    |   |   |       |   |   |   |   |   |   |       |   |    |   |   |       |       |   |   |   |   |   |       |   |    |   |   |       |       |   |   |   |   |   |       |   |    |   |   |       |       |   |   |   |   |   |       |   |    |   |   |   |       |   |   |   |   |   |       |   |    |   |   |   |       |   |   |   |   |   |       |   |    |   |   |   |       |       |   |   |   |   |       |   |    |   |   |   |       |       |   |   |   |   |       |   |    |   |   |   |   |       |   |   |   |   |       |   |     |   |   |   |   |       |   |   |   |   |       |   |     |   |   |   |   |       |   |   |   |   |       |   |     |   |   |   |   |       |   |       |   |   |       |   |     |   |   |   |   |   |   |       |       |   |       |   |     |   |   |   |   |   |       |       |       |   |       |   |     |   |   |   |   |   |       |       |   |   |      |   |     |   |   |   |   |   |       |       |   |   |      |   |     |   |   |   |   |   |   |   |   |   |       |   |     |   |   |   |   |   |   |   |   |   |       |   |
| 67   | -     | -       | 254,0 | 285,0  | -     | -           | -     | -     | - | 282,0 | -    |      |  |  |  |  |  |  |  |  |  |  |      |             |  |  |  |  |  |  |  |  |  |  |  |  |     |     |     |     |     |     |  |  |  |  |  |   |   |   |   |   |   |   |   |   |   |   |   |    |   |        |   |   |   |   |   |   |   |   |   |    |   |        |   |   |   |   |   |   |   |   |   |    |   |        |   |   |   |   |   |   |   |   |   |    |       |       |   |   |   |   |   |   |   |       |   |    |       |       |   |   |   |   |   |   |   |       |   |    |       |       |   |   |   |   |   |   |   |       |   |    |       |       |   |   |   |   |   |   |   |       |   |    |       |       |   |   |   |   |   |   |   |       |   |    |       |       |   |   |   |   |   |   |   |       |   |    |       |       |       |   |   |   |   |   |   |       |   |    |       |       |       |   |   |   |   |   |   |       |   |    |      |       |       |   |   |   |   |   |   |       |   |    |      |       |       |   |   |   |   |   |   |       |   |    |   |   |       |   |   |   |   |   |   |       |   |    |   |   |       |       |   |   |   |   |   |       |   |    |   |   |       |       |   |   |   |   |   |       |   |    |   |   |       |       |   |   |   |   |   |       |   |    |   |   |   |       |   |   |   |   |   |       |   |    |   |   |   |       |   |   |   |   |   |       |   |    |   |   |   |       |       |   |   |   |   |       |   |    |   |   |   |       |       |   |   |   |   |       |   |    |   |   |   |   |       |   |   |   |   |       |   |     |   |   |   |   |       |   |   |   |   |       |   |     |   |   |   |   |       |   |   |   |   |       |   |     |   |   |   |   |       |   |       |   |   |       |   |     |   |   |   |   |   |   |       |       |   |       |   |     |   |   |   |   |   |       |       |       |   |       |   |     |   |   |   |   |   |       |       |   |   |      |   |     |   |   |   |   |   |       |       |   |   |      |   |     |   |   |   |   |   |   |   |   |   |       |   |     |   |   |   |   |   |   |   |   |   |       |   |
| 68   | -     | -       | 247,0 | 280,0  | -     | -           | -     | -     | - | 276,0 | -    |      |  |  |  |  |  |  |  |  |  |  |      |             |  |  |  |  |  |  |  |  |  |  |  |  |     |     |     |     |     |     |  |  |  |  |  |   |   |   |   |   |   |   |   |   |   |   |   |    |   |        |   |   |   |   |   |   |   |   |   |    |   |        |   |   |   |   |   |   |   |   |   |    |   |        |   |   |   |   |   |   |   |   |   |    |       |       |   |   |   |   |   |   |   |       |   |    |       |       |   |   |   |   |   |   |   |       |   |    |       |       |   |   |   |   |   |   |   |       |   |    |       |       |   |   |   |   |   |   |   |       |   |    |       |       |   |   |   |   |   |   |   |       |   |    |       |       |   |   |   |   |   |   |   |       |   |    |       |       |       |   |   |   |   |   |   |       |   |    |       |       |       |   |   |   |   |   |   |       |   |    |      |       |       |   |   |   |   |   |   |       |   |    |      |       |       |   |   |   |   |   |   |       |   |    |   |   |       |   |   |   |   |   |   |       |   |    |   |   |       |       |   |   |   |   |   |       |   |    |   |   |       |       |   |   |   |   |   |       |   |    |   |   |       |       |   |   |   |   |   |       |   |    |   |   |   |       |   |   |   |   |   |       |   |    |   |   |   |       |   |   |   |   |   |       |   |    |   |   |   |       |       |   |   |   |   |       |   |    |   |   |   |       |       |   |   |   |   |       |   |    |   |   |   |   |       |   |   |   |   |       |   |     |   |   |   |   |       |   |   |   |   |       |   |     |   |   |   |   |       |   |   |   |   |       |   |     |   |   |   |   |       |   |       |   |   |       |   |     |   |   |   |   |   |   |       |       |   |       |   |     |   |   |   |   |   |       |       |       |   |       |   |     |   |   |   |   |   |       |       |   |   |      |   |     |   |   |   |   |   |       |       |   |   |      |   |     |   |   |   |   |   |   |   |   |   |       |   |     |   |   |   |   |   |   |   |   |   |       |   |
| 70   | -     | -       | -     | 271,0  | -     | -           | -     | -     | - | 264,0 | -    |      |  |  |  |  |  |  |  |  |  |  |      |             |  |  |  |  |  |  |  |  |  |  |  |  |     |     |     |     |     |     |  |  |  |  |  |   |   |   |   |   |   |   |   |   |   |   |   |    |   |        |   |   |   |   |   |   |   |   |   |    |   |        |   |   |   |   |   |   |   |   |   |    |   |        |   |   |   |   |   |   |   |   |   |    |       |       |   |   |   |   |   |   |   |       |   |    |       |       |   |   |   |   |   |   |   |       |   |    |       |       |   |   |   |   |   |   |   |       |   |    |       |       |   |   |   |   |   |   |   |       |   |    |       |       |   |   |   |   |   |   |   |       |   |    |       |       |   |   |   |   |   |   |   |       |   |    |       |       |       |   |   |   |   |   |   |       |   |    |       |       |       |   |   |   |   |   |   |       |   |    |      |       |       |   |   |   |   |   |   |       |   |    |      |       |       |   |   |   |   |   |   |       |   |    |   |   |       |   |   |   |   |   |   |       |   |    |   |   |       |       |   |   |   |   |   |       |   |    |   |   |       |       |   |   |   |   |   |       |   |    |   |   |       |       |   |   |   |   |   |       |   |    |   |   |   |       |   |   |   |   |   |       |   |    |   |   |   |       |   |   |   |   |   |       |   |    |   |   |   |       |       |   |   |   |   |       |   |    |   |   |   |       |       |   |   |   |   |       |   |    |   |   |   |   |       |   |   |   |   |       |   |     |   |   |   |   |       |   |   |   |   |       |   |     |   |   |   |   |       |   |   |   |   |       |   |     |   |   |   |   |       |   |       |   |   |       |   |     |   |   |   |   |   |   |       |       |   |       |   |     |   |   |   |   |   |       |       |       |   |       |   |     |   |   |   |   |   |       |       |   |   |      |   |     |   |   |   |   |   |       |       |   |   |      |   |     |   |   |   |   |   |   |   |   |   |       |   |     |   |   |   |   |   |   |   |   |   |       |   |
| 74   | -     | -       | -     | 254,0  | -     | -           | -     | -     | - | 244,0 | -    |      |  |  |  |  |  |  |  |  |  |  |      |             |  |  |  |  |  |  |  |  |  |  |  |  |     |     |     |     |     |     |  |  |  |  |  |   |   |   |   |   |   |   |   |   |   |   |   |    |   |        |   |   |   |   |   |   |   |   |   |    |   |        |   |   |   |   |   |   |   |   |   |    |   |        |   |   |   |   |   |   |   |   |   |    |       |       |   |   |   |   |   |   |   |       |   |    |       |       |   |   |   |   |   |   |   |       |   |    |       |       |   |   |   |   |   |   |   |       |   |    |       |       |   |   |   |   |   |   |   |       |   |    |       |       |   |   |   |   |   |   |   |       |   |    |       |       |   |   |   |   |   |   |   |       |   |    |       |       |       |   |   |   |   |   |   |       |   |    |       |       |       |   |   |   |   |   |   |       |   |    |      |       |       |   |   |   |   |   |   |       |   |    |      |       |       |   |   |   |   |   |   |       |   |    |   |   |       |   |   |   |   |   |   |       |   |    |   |   |       |       |   |   |   |   |   |       |   |    |   |   |       |       |   |   |   |   |   |       |   |    |   |   |       |       |   |   |   |   |   |       |   |    |   |   |   |       |   |   |   |   |   |       |   |    |   |   |   |       |   |   |   |   |   |       |   |    |   |   |   |       |       |   |   |   |   |       |   |    |   |   |   |       |       |   |   |   |   |       |   |    |   |   |   |   |       |   |   |   |   |       |   |     |   |   |   |   |       |   |   |   |   |       |   |     |   |   |   |   |       |   |   |   |   |       |   |     |   |   |   |   |       |   |       |   |   |       |   |     |   |   |   |   |   |   |       |       |   |       |   |     |   |   |   |   |   |       |       |       |   |       |   |     |   |   |   |   |   |       |       |   |   |      |   |     |   |   |   |   |   |       |       |   |   |      |   |     |   |   |   |   |   |   |   |   |   |       |   |     |   |   |   |   |   |   |   |   |   |       |   |
| 78   | -     | -       | -     | 239,0  | -     | -           | -     | -     | - | 225,0 | -    |      |  |  |  |  |  |  |  |  |  |  |      |             |  |  |  |  |  |  |  |  |  |  |  |  |     |     |     |     |     |     |  |  |  |  |  |   |   |   |   |   |   |   |   |   |   |   |   |    |   |        |   |   |   |   |   |   |   |   |   |    |   |        |   |   |   |   |   |   |   |   |   |    |   |        |   |   |   |   |   |   |   |   |   |    |       |       |   |   |   |   |   |   |   |       |   |    |       |       |   |   |   |   |   |   |   |       |   |    |       |       |   |   |   |   |   |   |   |       |   |    |       |       |   |   |   |   |   |   |   |       |   |    |       |       |   |   |   |   |   |   |   |       |   |    |       |       |   |   |   |   |   |   |   |       |   |    |       |       |       |   |   |   |   |   |   |       |   |    |       |       |       |   |   |   |   |   |   |       |   |    |      |       |       |   |   |   |   |   |   |       |   |    |      |       |       |   |   |   |   |   |   |       |   |    |   |   |       |   |   |   |   |   |   |       |   |    |   |   |       |       |   |   |   |   |   |       |   |    |   |   |       |       |   |   |   |   |   |       |   |    |   |   |       |       |   |   |   |   |   |       |   |    |   |   |   |       |   |   |   |   |   |       |   |    |   |   |   |       |   |   |   |   |   |       |   |    |   |   |   |       |       |   |   |   |   |       |   |    |   |   |   |       |       |   |   |   |   |       |   |    |   |   |   |   |       |   |   |   |   |       |   |     |   |   |   |   |       |   |   |   |   |       |   |     |   |   |   |   |       |   |   |   |   |       |   |     |   |   |   |   |       |   |       |   |   |       |   |     |   |   |   |   |   |   |       |       |   |       |   |     |   |   |   |   |   |       |       |       |   |       |   |     |   |   |   |   |   |       |       |   |   |      |   |     |   |   |   |   |   |       |       |   |   |      |   |     |   |   |   |   |   |   |   |   |   |       |   |     |   |   |   |   |   |   |   |   |   |       |   |
| 80   | -     | -       | -     | 232,0  | -     | -           | -     | -     | - | 216,5 | -    |      |  |  |  |  |  |  |  |  |  |  |      |             |  |  |  |  |  |  |  |  |  |  |  |  |     |     |     |     |     |     |  |  |  |  |  |   |   |   |   |   |   |   |   |   |   |   |   |    |   |        |   |   |   |   |   |   |   |   |   |    |   |        |   |   |   |   |   |   |   |   |   |    |   |        |   |   |   |   |   |   |   |   |   |    |       |       |   |   |   |   |   |   |   |       |   |    |       |       |   |   |   |   |   |   |   |       |   |    |       |       |   |   |   |   |   |   |   |       |   |    |       |       |   |   |   |   |   |   |   |       |   |    |       |       |   |   |   |   |   |   |   |       |   |    |       |       |   |   |   |   |   |   |   |       |   |    |       |       |       |   |   |   |   |   |   |       |   |    |       |       |       |   |   |   |   |   |   |       |   |    |      |       |       |   |   |   |   |   |   |       |   |    |      |       |       |   |   |   |   |   |   |       |   |    |   |   |       |   |   |   |   |   |   |       |   |    |   |   |       |       |   |   |   |   |   |       |   |    |   |   |       |       |   |   |   |   |   |       |   |    |   |   |       |       |   |   |   |   |   |       |   |    |   |   |   |       |   |   |   |   |   |       |   |    |   |   |   |       |   |   |   |   |   |       |   |    |   |   |   |       |       |   |   |   |   |       |   |    |   |   |   |       |       |   |   |   |   |       |   |    |   |   |   |   |       |   |   |   |   |       |   |     |   |   |   |   |       |   |   |   |   |       |   |     |   |   |   |   |       |   |   |   |   |       |   |     |   |   |   |   |       |   |       |   |   |       |   |     |   |   |   |   |   |   |       |       |   |       |   |     |   |   |   |   |   |       |       |       |   |       |   |     |   |   |   |   |   |       |       |   |   |      |   |     |   |   |   |   |   |       |       |   |   |      |   |     |   |   |   |   |   |   |   |   |   |       |   |     |   |   |   |   |   |   |   |   |   |       |   |
| 82   | -     | -       | -     | -      | -     | -           | -     | -     | - | 208,0 | -    |      |  |  |  |  |  |  |  |  |  |  |      |             |  |  |  |  |  |  |  |  |  |  |  |  |     |     |     |     |     |     |  |  |  |  |  |   |   |   |   |   |   |   |   |   |   |   |   |    |   |        |   |   |   |   |   |   |   |   |   |    |   |        |   |   |   |   |   |   |   |   |   |    |   |        |   |   |   |   |   |   |   |   |   |    |       |       |   |   |   |   |   |   |   |       |   |    |       |       |   |   |   |   |   |   |   |       |   |    |       |       |   |   |   |   |   |   |   |       |   |    |       |       |   |   |   |   |   |   |   |       |   |    |       |       |   |   |   |   |   |   |   |       |   |    |       |       |   |   |   |   |   |   |   |       |   |    |       |       |       |   |   |   |   |   |   |       |   |    |       |       |       |   |   |   |   |   |   |       |   |    |      |       |       |   |   |   |   |   |   |       |   |    |      |       |       |   |   |   |   |   |   |       |   |    |   |   |       |   |   |   |   |   |   |       |   |    |   |   |       |       |   |   |   |   |   |       |   |    |   |   |       |       |   |   |   |   |   |       |   |    |   |   |       |       |   |   |   |   |   |       |   |    |   |   |   |       |   |   |   |   |   |       |   |    |   |   |   |       |   |   |   |   |   |       |   |    |   |   |   |       |       |   |   |   |   |       |   |    |   |   |   |       |       |   |   |   |   |       |   |    |   |   |   |   |       |   |   |   |   |       |   |     |   |   |   |   |       |   |   |   |   |       |   |     |   |   |   |   |       |   |   |   |   |       |   |     |   |   |   |   |       |   |       |   |   |       |   |     |   |   |   |   |   |   |       |       |   |       |   |     |   |   |   |   |   |       |       |       |   |       |   |     |   |   |   |   |   |       |       |   |   |      |   |     |   |   |   |   |   |       |       |   |   |      |   |     |   |   |   |   |   |   |   |   |   |       |   |     |   |   |   |   |   |   |   |   |   |       |   |
| 83   | -     | -       | -     | -      | 206,0 | -           | -     | -     | - | 204,2 | -    |      |  |  |  |  |  |  |  |  |  |  |      |             |  |  |  |  |  |  |  |  |  |  |  |  |     |     |     |     |     |     |  |  |  |  |  |   |   |   |   |   |   |   |   |   |   |   |   |    |   |        |   |   |   |   |   |   |   |   |   |    |   |        |   |   |   |   |   |   |   |   |   |    |   |        |   |   |   |   |   |   |   |   |   |    |       |       |   |   |   |   |   |   |   |       |   |    |       |       |   |   |   |   |   |   |   |       |   |    |       |       |   |   |   |   |   |   |   |       |   |    |       |       |   |   |   |   |   |   |   |       |   |    |       |       |   |   |   |   |   |   |   |       |   |    |       |       |   |   |   |   |   |   |   |       |   |    |       |       |       |   |   |   |   |   |   |       |   |    |       |       |       |   |   |   |   |   |   |       |   |    |      |       |       |   |   |   |   |   |   |       |   |    |      |       |       |   |   |   |   |   |   |       |   |    |   |   |       |   |   |   |   |   |   |       |   |    |   |   |       |       |   |   |   |   |   |       |   |    |   |   |       |       |   |   |   |   |   |       |   |    |   |   |       |       |   |   |   |   |   |       |   |    |   |   |   |       |   |   |   |   |   |       |   |    |   |   |   |       |   |   |   |   |   |       |   |    |   |   |   |       |       |   |   |   |   |       |   |    |   |   |   |       |       |   |   |   |   |       |   |    |   |   |   |   |       |   |   |   |   |       |   |     |   |   |   |   |       |   |   |   |   |       |   |     |   |   |   |   |       |   |   |   |   |       |   |     |   |   |   |   |       |   |       |   |   |       |   |     |   |   |   |   |   |   |       |       |   |       |   |     |   |   |   |   |   |       |       |       |   |       |   |     |   |   |   |   |   |       |       |   |   |      |   |     |   |   |   |   |   |       |       |   |   |      |   |     |   |   |   |   |   |   |   |   |   |       |   |     |   |   |   |   |   |   |   |   |   |       |   |
| 86   | -     | -       | -     | -      | 197,0 | -           | -     | -     | - | 193,0 | -    |      |  |  |  |  |  |  |  |  |  |  |      |             |  |  |  |  |  |  |  |  |  |  |  |  |     |     |     |     |     |     |  |  |  |  |  |   |   |   |   |   |   |   |   |   |   |   |   |    |   |        |   |   |   |   |   |   |   |   |   |    |   |        |   |   |   |   |   |   |   |   |   |    |   |        |   |   |   |   |   |   |   |   |   |    |       |       |   |   |   |   |   |   |   |       |   |    |       |       |   |   |   |   |   |   |   |       |   |    |       |       |   |   |   |   |   |   |   |       |   |    |       |       |   |   |   |   |   |   |   |       |   |    |       |       |   |   |   |   |   |   |   |       |   |    |       |       |   |   |   |   |   |   |   |       |   |    |       |       |       |   |   |   |   |   |   |       |   |    |       |       |       |   |   |   |   |   |   |       |   |    |      |       |       |   |   |   |   |   |   |       |   |    |      |       |       |   |   |   |   |   |   |       |   |    |   |   |       |   |   |   |   |   |   |       |   |    |   |   |       |       |   |   |   |   |   |       |   |    |   |   |       |       |   |   |   |   |   |       |   |    |   |   |       |       |   |   |   |   |   |       |   |    |   |   |   |       |   |   |   |   |   |       |   |    |   |   |   |       |   |   |   |   |   |       |   |    |   |   |   |       |       |   |   |   |   |       |   |    |   |   |   |       |       |   |   |   |   |       |   |    |   |   |   |   |       |   |   |   |   |       |   |     |   |   |   |   |       |   |   |   |   |       |   |     |   |   |   |   |       |   |   |   |   |       |   |     |   |   |   |   |       |   |       |   |   |       |   |     |   |   |   |   |   |   |       |       |   |       |   |     |   |   |   |   |   |       |       |       |   |       |   |     |   |   |   |   |   |       |       |   |   |      |   |     |   |   |   |   |   |       |       |   |   |      |   |     |   |   |   |   |   |   |   |   |   |       |   |     |   |   |   |   |   |   |   |   |   |       |   |
| 90   | -     | -       | -     | -      | 187,0 | -           | -     | -     | - | 174,0 | -    |      |  |  |  |  |  |  |  |  |  |  |      |             |  |  |  |  |  |  |  |  |  |  |  |  |     |     |     |     |     |     |  |  |  |  |  |   |   |   |   |   |   |   |   |   |   |   |   |    |   |        |   |   |   |   |   |   |   |   |   |    |   |        |   |   |   |   |   |   |   |   |   |    |   |        |   |   |   |   |   |   |   |   |   |    |       |       |   |   |   |   |   |   |   |       |   |    |       |       |   |   |   |   |   |   |   |       |   |    |       |       |   |   |   |   |   |   |   |       |   |    |       |       |   |   |   |   |   |   |   |       |   |    |       |       |   |   |   |   |   |   |   |       |   |    |       |       |   |   |   |   |   |   |   |       |   |    |       |       |       |   |   |   |   |   |   |       |   |    |       |       |       |   |   |   |   |   |   |       |   |    |      |       |       |   |   |   |   |   |   |       |   |    |      |       |       |   |   |   |   |   |   |       |   |    |   |   |       |   |   |   |   |   |   |       |   |    |   |   |       |       |   |   |   |   |   |       |   |    |   |   |       |       |   |   |   |   |   |       |   |    |   |   |       |       |   |   |   |   |   |       |   |    |   |   |   |       |   |   |   |   |   |       |   |    |   |   |   |       |   |   |   |   |   |       |   |    |   |   |   |       |       |   |   |   |   |       |   |    |   |   |   |       |       |   |   |   |   |       |   |    |   |   |   |   |       |   |   |   |   |       |   |     |   |   |   |   |       |   |   |   |   |       |   |     |   |   |   |   |       |   |   |   |   |       |   |     |   |   |   |   |       |   |       |   |   |       |   |     |   |   |   |   |   |   |       |       |   |       |   |     |   |   |   |   |   |       |       |       |   |       |   |     |   |   |   |   |   |       |       |   |   |      |   |     |   |   |   |   |   |       |       |   |   |      |   |     |   |   |   |   |   |   |   |   |   |       |   |     |   |   |   |   |   |   |   |   |   |       |   |
| 94   | -     | -       | -     | -      | -     | -           | -     | -     | - | 156,0 | -    |      |  |  |  |  |  |  |  |  |  |  |      |             |  |  |  |  |  |  |  |  |  |  |  |  |     |     |     |     |     |     |  |  |  |  |  |   |   |   |   |   |   |   |   |   |   |   |   |    |   |        |   |   |   |   |   |   |   |   |   |    |   |        |   |   |   |   |   |   |   |   |   |    |   |        |   |   |   |   |   |   |   |   |   |    |       |       |   |   |   |   |   |   |   |       |   |    |       |       |   |   |   |   |   |   |   |       |   |    |       |       |   |   |   |   |   |   |   |       |   |    |       |       |   |   |   |   |   |   |   |       |   |    |       |       |   |   |   |   |   |   |   |       |   |    |       |       |   |   |   |   |   |   |   |       |   |    |       |       |       |   |   |   |   |   |   |       |   |    |       |       |       |   |   |   |   |   |   |       |   |    |      |       |       |   |   |   |   |   |   |       |   |    |      |       |       |   |   |   |   |   |   |       |   |    |   |   |       |   |   |   |   |   |   |       |   |    |   |   |       |       |   |   |   |   |   |       |   |    |   |   |       |       |   |   |   |   |   |       |   |    |   |   |       |       |   |   |   |   |   |       |   |    |   |   |   |       |   |   |   |   |   |       |   |    |   |   |   |       |   |   |   |   |   |       |   |    |   |   |   |       |       |   |   |   |   |       |   |    |   |   |   |       |       |   |   |   |   |       |   |    |   |   |   |   |       |   |   |   |   |       |   |     |   |   |   |   |       |   |   |   |   |       |   |     |   |   |   |   |       |   |   |   |   |       |   |     |   |   |   |   |       |   |       |   |   |       |   |     |   |   |   |   |   |   |       |       |   |       |   |     |   |   |   |   |   |       |       |       |   |       |   |     |   |   |   |   |   |       |       |   |   |      |   |     |   |   |   |   |   |       |       |   |   |      |   |     |   |   |   |   |   |   |   |   |   |       |   |     |   |   |   |   |   |   |   |   |   |       |   |
| 97   | -     | -       | -     | -      | -     | 144,0       | -     | -     | - | 143,2 | -    |      |  |  |  |  |  |  |  |  |  |  |      |             |  |  |  |  |  |  |  |  |  |  |  |  |     |     |     |     |     |     |  |  |  |  |  |   |   |   |   |   |   |   |   |   |   |   |   |    |   |        |   |   |   |   |   |   |   |   |   |    |   |        |   |   |   |   |   |   |   |   |   |    |   |        |   |   |   |   |   |   |   |   |   |    |       |       |   |   |   |   |   |   |   |       |   |    |       |       |   |   |   |   |   |   |   |       |   |    |       |       |   |   |   |   |   |   |   |       |   |    |       |       |   |   |   |   |   |   |   |       |   |    |       |       |   |   |   |   |   |   |   |       |   |    |       |       |   |   |   |   |   |   |   |       |   |    |       |       |       |   |   |   |   |   |   |       |   |    |       |       |       |   |   |   |   |   |   |       |   |    |      |       |       |   |   |   |   |   |   |       |   |    |      |       |       |   |   |   |   |   |   |       |   |    |   |   |       |   |   |   |   |   |   |       |   |    |   |   |       |       |   |   |   |   |   |       |   |    |   |   |       |       |   |   |   |   |   |       |   |    |   |   |       |       |   |   |   |   |   |       |   |    |   |   |   |       |   |   |   |   |   |       |   |    |   |   |   |       |   |   |   |   |   |       |   |    |   |   |   |       |       |   |   |   |   |       |   |    |   |   |   |       |       |   |   |   |   |       |   |    |   |   |   |   |       |   |   |   |   |       |   |     |   |   |   |   |       |   |   |   |   |       |   |     |   |   |   |   |       |   |   |   |   |       |   |     |   |   |   |   |       |   |       |   |   |       |   |     |   |   |   |   |   |   |       |       |   |       |   |     |   |   |   |   |   |       |       |       |   |       |   |     |   |   |   |   |   |       |       |   |   |      |   |     |   |   |   |   |   |       |       |   |   |      |   |     |   |   |   |   |   |   |   |   |   |       |   |     |   |   |   |   |   |   |   |   |   |       |   |
| 98   | -     | -       | -     | -      | -     | 142,0       | 139,0 | -     | - | -     | -    |      |  |  |  |  |  |  |  |  |  |  |      |             |  |  |  |  |  |  |  |  |  |  |  |  |     |     |     |     |     |     |  |  |  |  |  |   |   |   |   |   |   |   |   |   |   |   |   |    |   |        |   |   |   |   |   |   |   |   |   |    |   |        |   |   |   |   |   |   |   |   |   |    |   |        |   |   |   |   |   |   |   |   |   |    |       |       |   |   |   |   |   |   |   |       |   |    |       |       |   |   |   |   |   |   |   |       |   |    |       |       |   |   |   |   |   |   |   |       |   |    |       |       |   |   |   |   |   |   |   |       |   |    |       |       |   |   |   |   |   |   |   |       |   |    |       |       |   |   |   |   |   |   |   |       |   |    |       |       |       |   |   |   |   |   |   |       |   |    |       |       |       |   |   |   |   |   |   |       |   |    |      |       |       |   |   |   |   |   |   |       |   |    |      |       |       |   |   |   |   |   |   |       |   |    |   |   |       |   |   |   |   |   |   |       |   |    |   |   |       |       |   |   |   |   |   |       |   |    |   |   |       |       |   |   |   |   |   |       |   |    |   |   |       |       |   |   |   |   |   |       |   |    |   |   |   |       |   |   |   |   |   |       |   |    |   |   |   |       |   |   |   |   |   |       |   |    |   |   |   |       |       |   |   |   |   |       |   |    |   |   |   |       |       |   |   |   |   |       |   |    |   |   |   |   |       |   |   |   |   |       |   |     |   |   |   |   |       |   |   |   |   |       |   |     |   |   |   |   |       |   |   |   |   |       |   |     |   |   |   |   |       |   |       |   |   |       |   |     |   |   |   |   |   |   |       |       |   |       |   |     |   |   |   |   |   |       |       |       |   |       |   |     |   |   |   |   |   |       |       |   |   |      |   |     |   |   |   |   |   |       |       |   |   |      |   |     |   |   |   |   |   |   |   |   |   |       |   |     |   |   |   |   |   |   |   |   |   |       |   |
| 100  | -     | -       | -     | -      | -     | 138,0       | 130,5 | -     | - | -     | -    |      |  |  |  |  |  |  |  |  |  |  |      |             |  |  |  |  |  |  |  |  |  |  |  |  |     |     |     |     |     |     |  |  |  |  |  |   |   |   |   |   |   |   |   |   |   |   |   |    |   |        |   |   |   |   |   |   |   |   |   |    |   |        |   |   |   |   |   |   |   |   |   |    |   |        |   |   |   |   |   |   |   |   |   |    |       |       |   |   |   |   |   |   |   |       |   |    |       |       |   |   |   |   |   |   |   |       |   |    |       |       |   |   |   |   |   |   |   |       |   |    |       |       |   |   |   |   |   |   |   |       |   |    |       |       |   |   |   |   |   |   |   |       |   |    |       |       |   |   |   |   |   |   |   |       |   |    |       |       |       |   |   |   |   |   |   |       |   |    |       |       |       |   |   |   |   |   |   |       |   |    |      |       |       |   |   |   |   |   |   |       |   |    |      |       |       |   |   |   |   |   |   |       |   |    |   |   |       |   |   |   |   |   |   |       |   |    |   |   |       |       |   |   |   |   |   |       |   |    |   |   |       |       |   |   |   |   |   |       |   |    |   |   |       |       |   |   |   |   |   |       |   |    |   |   |   |       |   |   |   |   |   |       |   |    |   |   |   |       |   |   |   |   |   |       |   |    |   |   |   |       |       |   |   |   |   |       |   |    |   |   |   |       |       |   |   |   |   |       |   |    |   |   |   |   |       |   |   |   |   |       |   |     |   |   |   |   |       |   |   |   |   |       |   |     |   |   |   |   |       |   |   |   |   |       |   |     |   |   |   |   |       |   |       |   |   |       |   |     |   |   |   |   |   |   |       |       |   |       |   |     |   |   |   |   |   |       |       |       |   |       |   |     |   |   |   |   |   |       |       |   |   |      |   |     |   |   |   |   |   |       |       |   |   |      |   |     |   |   |   |   |   |   |   |   |   |       |   |     |   |   |   |   |   |   |   |   |   |       |   |
| 102  | -     | -       | -     | -      | -     | -           | -     | -     | - | 122,0 | -    |      |  |  |  |  |  |  |  |  |  |  |      |             |  |  |  |  |  |  |  |  |  |  |  |  |     |     |     |     |     |     |  |  |  |  |  |   |   |   |   |   |   |   |   |   |   |   |   |    |   |        |   |   |   |   |   |   |   |   |   |    |   |        |   |   |   |   |   |   |   |   |   |    |   |        |   |   |   |   |   |   |   |   |   |    |       |       |   |   |   |   |   |   |   |       |   |    |       |       |   |   |   |   |   |   |   |       |   |    |       |       |   |   |   |   |   |   |   |       |   |    |       |       |   |   |   |   |   |   |   |       |   |    |       |       |   |   |   |   |   |   |   |       |   |    |       |       |   |   |   |   |   |   |   |       |   |    |       |       |       |   |   |   |   |   |   |       |   |    |       |       |       |   |   |   |   |   |   |       |   |    |      |       |       |   |   |   |   |   |   |       |   |    |      |       |       |   |   |   |   |   |   |       |   |    |   |   |       |   |   |   |   |   |   |       |   |    |   |   |       |       |   |   |   |   |   |       |   |    |   |   |       |       |   |   |   |   |   |       |   |    |   |   |       |       |   |   |   |   |   |       |   |    |   |   |   |       |   |   |   |   |   |       |   |    |   |   |   |       |   |   |   |   |   |       |   |    |   |   |   |       |       |   |   |   |   |       |   |    |   |   |   |       |       |   |   |   |   |       |   |    |   |   |   |   |       |   |   |   |   |       |   |     |   |   |   |   |       |   |   |   |   |       |   |     |   |   |   |   |       |   |   |   |   |       |   |     |   |   |   |   |       |   |       |   |   |       |   |     |   |   |   |   |   |   |       |       |   |       |   |     |   |   |   |   |   |       |       |       |   |       |   |     |   |   |   |   |   |       |       |   |   |      |   |     |   |   |   |   |   |       |       |   |   |      |   |     |   |   |   |   |   |   |   |   |   |       |   |     |   |   |   |   |   |   |   |   |   |       |   |
| 106  | -     | -       | -     | -      | -     | -           | -     | -     | - | 109,0 | -    |      |  |  |  |  |  |  |  |  |  |  |      |             |  |  |  |  |  |  |  |  |  |  |  |  |     |     |     |     |     |     |  |  |  |  |  |   |   |   |   |   |   |   |   |   |   |   |   |    |   |        |   |   |   |   |   |   |   |   |   |    |   |        |   |   |   |   |   |   |   |   |   |    |   |        |   |   |   |   |   |   |   |   |   |    |       |       |   |   |   |   |   |   |   |       |   |    |       |       |   |   |   |   |   |   |   |       |   |    |       |       |   |   |   |   |   |   |   |       |   |    |       |       |   |   |   |   |   |   |   |       |   |    |       |       |   |   |   |   |   |   |   |       |   |    |       |       |   |   |   |   |   |   |   |       |   |    |       |       |       |   |   |   |   |   |   |       |   |    |       |       |       |   |   |   |   |   |   |       |   |    |      |       |       |   |   |   |   |   |   |       |   |    |      |       |       |   |   |   |   |   |   |       |   |    |   |   |       |   |   |   |   |   |   |       |   |    |   |   |       |       |   |   |   |   |   |       |   |    |   |   |       |       |   |   |   |   |   |       |   |    |   |   |       |       |   |   |   |   |   |       |   |    |   |   |   |       |   |   |   |   |   |       |   |    |   |   |   |       |   |   |   |   |   |       |   |    |   |   |   |       |       |   |   |   |   |       |   |    |   |   |   |       |       |   |   |   |   |       |   |    |   |   |   |   |       |   |   |   |   |       |   |     |   |   |   |   |       |   |   |   |   |       |   |     |   |   |   |   |       |   |   |   |   |       |   |     |   |   |   |   |       |   |       |   |   |       |   |     |   |   |   |   |   |   |       |       |   |       |   |     |   |   |   |   |   |       |       |       |   |       |   |     |   |   |   |   |   |       |       |   |   |      |   |     |   |   |   |   |   |       |       |   |   |      |   |     |   |   |   |   |   |   |   |   |   |       |   |     |   |   |   |   |   |   |   |   |   |       |   |
| <table border="1"> <thead> <tr> <th colspan="11">SWSL</th> <th>SFSL</th> </tr> <tr> <th colspan="12">0 t - 640 t</th> </tr> <tr> <th></th> <th>85°</th> <th>85°</th> <th>75°</th> <th>65°</th> <th>55°</th> <th>45°</th> <th colspan="5"></th> </tr> <tr> <th>m</th> <th>t</th> <th>t</th> <th>t</th> <th>t</th> <th>t</th> <th>t</th> <th>t</th> <th>t</th> <th>t</th> <th>t</th> <th>t</th> </tr> </thead> <tbody> <tr><td>26</td><td>-</td><td>317,0*</td><td>-</td><td>-</td><td>-</td><td>-</td><td>-</td><td>-</td><td>-</td><td>-</td><td>-</td></tr> <tr><td>28</td><td>-</td><td>311,0*</td><td>-</td><td>-</td><td>-</td><td>-</td><td>-</td><td>-</td><td>-</td><td>-</td><td>-</td></tr> <tr><td>30</td><td>-</td><td>305,0*</td><td>-</td><td>-</td><td>-</td><td>-</td><td>-</td><td>-</td><td>-</td><td>-</td><td>-</td></tr> <tr><td>32</td><td>170,0</td><td>330,0</td><td>-</td><td>-</td><td>-</td><td>-</td><td>-</td><td>-</td><td>-</td><td>321,0</td><td>-</td></tr> <tr><td>34</td><td>159,0</td><td>328,0</td><td>-</td><td>-</td><td>-</td><td>-</td><td>-</td><td>-</td><td>-</td><td>321,0</td><td>-</td></tr> <tr><td>38</td><td>141,0</td><td>320,0</td><td>-</td><td>-</td><td>-</td><td>-</td><td>-</td><td>-</td><td>-</td><td>321,0</td><td>-</td></tr> <tr><td>42</td><td>126,0</td><td>311,0</td><td>-</td><td>-</td><td>-</td><td>-</td><td>-</td><td>-</td><td>-</td><td>321,0</td><td>-</td></tr> <tr><td>46</td><td>113,0</td><td>302,0</td><td>-</td><td>-</td><td>-</td><td>-</td><td>-</td><td>-</td><td>-</td><td>321,0</td><td>-</td></tr> <tr><td>50</td><td>101,0</td><td>293,0</td><td>-</td><td>-</td><td>-</td><td>-</td><td>-</td><td>-</td><td>-</td><td>321,0</td><td>-</td></tr> <tr><td>54</td><td>92,0</td><td>270,0</td><td>335,0</td><td>-</td><td>-</td><td>-</td><td>-</td><td>-</td><td>-</td><td>311,0</td><td>-</td></tr> <tr><td>58</td><td>83,0</td><td>243,0</td><td>333,0</td><td>-</td><td>-</td><td>-</td><td>-</td><td>-</td><td>-</td><td>301,0</td><td>-</td></tr> <tr><td>62</td><td>74,5</td><td>220,0</td><td>307,0</td><td>-</td><td>-</td><td>-</td><td>-</td><td>-</td><td>-</td><td>288,0</td><td>-</td></tr> <tr><td>66</td><td>67,0</td><td>193,0</td><td>274,0</td><td>-</td><td>-</td><td>-</td><td>-</td><td>-</td><td>-</td><td>279,0</td><td>-</td></tr> <tr><td>70</td><td>-</td><td>-</td><td>246,0</td><td>-</td><td>-</td><td>-</td><td>-</td><td>-</td><td>-</td><td>269,0</td><td>-</td></tr> <tr><td>74</td><td>-</td><td>-</td><td>223,0</td><td>251,0</td><td>-</td><td>-</td><td>-</td><td>-</td><td>-</td><td>249,0</td><td>-</td></tr> <tr><td>78</td><td>-</td><td>-</td><td>203,0</td><td>236,0</td><td>-</td><td>-</td><td>-</td><td>-</td><td>-</td><td>230,0</td><td>-</td></tr> <tr><td>82</td><td>-</td><td>-</td><td>-</td><td>222,0</td><td>-</td><td>-</td><td>-</td><td>-</td><td>-</td><td>213,0</td><td>-</td></tr> <tr><td>86</td><td>-</td><td>-</td><td>-</td><td>209,0</td><td>-</td><td>-</td><td>-</td><td>-</td><td>-</td><td>197,0</td><td>-</td></tr> <tr><td>90</td><td>-</td><td>-</td><td>-</td><td>198,0</td><td>-</td><td>-</td><td>-</td><td>-</td><td>-</td><td>183,0</td><td>-</td></tr> <tr><td>92</td><td>-</td><td>-</td><td>-</td><td>-</td><td>178,0</td><td>-</td><td>-</td><td>-</td><td>-</td><td>176,5</td><td>-</td></tr> <tr><td>94</td><td>-</td><td>-</td><td>-</td><td>-</td><td>173,0</td><td>-</td><td>-</td><td>-</td><td>-</td><td>170,0</td><td>-</td></tr> <tr><td>98</td><td>-</td><td>-</td><td>-</td><td>-</td><td>165,0</td><td>-</td><td>-</td><td>-</td><td>-</td><td>156,0</td><td>-</td></tr> <tr><td>102</td><td>-</td><td>-</td><td>-</td><td>-</td><td>157,0</td><td>-</td><td>-</td><td>-</td><td>-</td><td>140,0</td><td>-</td></tr> <tr><td>106</td><td>-</td><td>-</td><td>-</td><td>-</td><td>-</td><td>-</td><td>-</td><td>-</td><td>-</td><td>125,0</td><td>-</td></tr> <tr><td>108</td><td>-</td><td>-</td><td>-</td><td>-</td><td>-</td><td>-</td><td>120,0</td><td>-</td><td>-</td><td>118,0</td><td>-</td></tr> <tr><td>110</td><td>-</td><td>-</td><td>-</td><td>-</td><td>-</td><td>-</td><td>117,0</td><td>111,0</td><td>-</td><td>-</td><td>-</td></tr> <tr><td>111</td><td>-</td><td>-</td><td>-</td><td>-</td><td>-</td><td>-</td><td>115,0</td><td>107,6</td><td>-</td><td>-</td><td>-</td></tr> <tr><td>114</td><td>-</td><td>-</td><td>-</td><td>-</td><td>-</td><td>-</td><td>-</td><td>-</td><td>-</td><td>97,5</td><td>-</td></tr> <tr><td>118</td><td>-</td><td>-</td><td>-</td><td>-</td><td>-</td><td>-</td><td>-</td><td>-</td><td>-</td><td>89,5</td><td>-</td></tr> </tbody> </table>  |       |         |       |        |       |             |       |       |   |       |      | SWSL |  |  |  |  |  |  |  |  |  |  | SFSL | 0 t - 640 t |  |  |  |  |  |  |  |  |  |  |  |  | 85° | 85° | 75° | 65° | 55° | 45° |  |  |  |  |  | m | t | t | t | t | t | t | t | t | t | t | t | 26 | - | 317,0* | - | - | - | - | - | - | - | - | - | 28 | - | 311,0* | - | - | - | - | - | - | - | - | - | 30 | - | 305,0* | - | - | - | - | - | - | - | - | - | 32 | 170,0 | 330,0 | - | - | - | - | - | - | - | 321,0 | - | 34 | 159,0 | 328,0 | - | - | - | - | - | - | - | 321,0 | - | 38 | 141,0 | 320,0 | - | - | - | - | - | - | - | 321,0 | - | 42 | 126,0 | 311,0 | - | - | - | - | - | - | - | 321,0 | - | 46 | 113,0 | 302,0 | - | - | - | - | - | - | - | 321,0 | - | 50 | 101,0 | 293,0 | - | - | - | - | - | - | - | 321,0 | - | 54 | 92,0  | 270,0 | 335,0 | - | - | - | - | - | - | 311,0 | - | 58 | 83,0  | 243,0 | 333,0 | - | - | - | - | - | - | 301,0 | - | 62 | 74,5 | 220,0 | 307,0 | - | - | - | - | - | - | 288,0 | - | 66 | 67,0 | 193,0 | 274,0 | - | - | - | - | - | - | 279,0 | - | 70 | - | - | 246,0 | - | - | - | - | - | - | 269,0 | - | 74 | - | - | 223,0 | 251,0 | - | - | - | - | - | 249,0 | - | 78 | - | - | 203,0 | 236,0 | - | - | - | - | - | 230,0 | - | 82 | - | - | -     | 222,0 | - | - | - | - | - | 213,0 | - | 86 | - | - | - | 209,0 | - | - | - | - | - | 197,0 | - | 90 | - | - | - | 198,0 | - | - | - | - | - | 183,0 | - | 92 | - | - | - | -     | 178,0 | - | - | - | - | 176,5 | - | 94 | - | - | - | -     | 173,0 | - | - | - | - | 170,0 | - | 98 | - | - | - | - | 165,0 | - | - | - | - | 156,0 | - | 102 | - | - | - | - | 157,0 | - | - | - | - | 140,0 | - | 106 | - | - | - | - | -     | - | - | - | - | 125,0 | - | 108 | - | - | - | - | -     | - | 120,0 | - | - | 118,0 | - | 110 | - | - | - | - | - | - | 117,0 | 111,0 | - | -     | - | 111 | - | - | - | - | - | -     | 115,0 | 107,6 | - | -     | - | 114 | - | - | - | - | - | -     | -     | - | - | 97,5 | - | 118 | - | - | - | - | - | -     | -     | - | - | 89,5 | - |     |   |   |   |   |   |   |   |   |   |       |   |     |   |   |   |   |   |   |   |   |   |       |   |
| SWSL   |       |         |       |        |       |             |       |       |   |       | SFSL |      |  |  |  |  |  |  |  |  |  |  |      |             |  |  |  |  |  |  |  |  |  |  |  |  |     |     |     |     |     |     |  |  |  |  |  |   |   |   |   |   |   |   |   |   |   |   |   |    |   |        |   |   |   |   |   |   |   |   |   |    |   |        |   |   |   |   |   |   |   |   |   |    |   |        |   |   |   |   |   |   |   |   |   |    |       |       |   |   |   |   |   |   |   |       |   |    |       |       |   |   |   |   |   |   |   |       |   |    |       |       |   |   |   |   |   |   |   |       |   |    |       |       |   |   |   |   |   |   |   |       |   |    |       |       |   |   |   |   |   |   |   |       |   |    |       |       |   |   |   |   |   |   |   |       |   |    |       |       |       |   |   |   |   |   |   |       |   |    |       |       |       |   |   |   |   |   |   |       |   |    |      |       |       |   |   |   |   |   |   |       |   |    |      |       |       |   |   |   |   |   |   |       |   |    |   |   |       |   |   |   |   |   |   |       |   |    |   |   |       |       |   |   |   |   |   |       |   |    |   |   |       |       |   |   |   |   |   |       |   |    |   |   |       |       |   |   |   |   |   |       |   |    |   |   |   |       |   |   |   |   |   |       |   |    |   |   |   |       |   |   |   |   |   |       |   |    |   |   |   |       |       |   |   |   |   |       |   |    |   |   |   |       |       |   |   |   |   |       |   |    |   |   |   |   |       |   |   |   |   |       |   |     |   |   |   |   |       |   |   |   |   |       |   |     |   |   |   |   |       |   |   |   |   |       |   |     |   |   |   |   |       |   |       |   |   |       |   |     |   |   |   |   |   |   |       |       |   |       |   |     |   |   |   |   |   |       |       |       |   |       |   |     |   |   |   |   |   |       |       |   |   |      |   |     |   |   |   |   |   |       |       |   |   |      |   |     |   |   |   |   |   |   |   |   |   |       |   |     |   |   |   |   |   |   |   |   |   |       |   |
| 0 t - 640 t  |       |         |       |        |       |             |       |       |   |       |      |      |  |  |  |  |  |  |  |  |  |  |      |             |  |  |  |  |  |  |  |  |  |  |  |  |     |     |     |     |     |     |  |  |  |  |  |   |   |   |   |   |   |   |   |   |   |   |   |    |   |        |   |   |   |   |   |   |   |   |   |    |   |        |   |   |   |   |   |   |   |   |   |    |   |        |   |   |   |   |   |   |   |   |   |    |       |       |   |   |   |   |   |   |   |       |   |    |       |       |   |   |   |   |   |   |   |       |   |    |       |       |   |   |   |   |   |   |   |       |   |    |       |       |   |   |   |   |   |   |   |       |   |    |       |       |   |   |   |   |   |   |   |       |   |    |       |       |   |   |   |   |   |   |   |       |   |    |       |       |       |   |   |   |   |   |   |       |   |    |       |       |       |   |   |   |   |   |   |       |   |    |      |       |       |   |   |   |   |   |   |       |   |    |      |       |       |   |   |   |   |   |   |       |   |    |   |   |       |   |   |   |   |   |   |       |   |    |   |   |       |       |   |   |   |   |   |       |   |    |   |   |       |       |   |   |   |   |   |       |   |    |   |   |       |       |   |   |   |   |   |       |   |    |   |   |   |       |   |   |   |   |   |       |   |    |   |   |   |       |   |   |   |   |   |       |   |    |   |   |   |       |       |   |   |   |   |       |   |    |   |   |   |       |       |   |   |   |   |       |   |    |   |   |   |   |       |   |   |   |   |       |   |     |   |   |   |   |       |   |   |   |   |       |   |     |   |   |   |   |       |   |   |   |   |       |   |     |   |   |   |   |       |   |       |   |   |       |   |     |   |   |   |   |   |   |       |       |   |       |   |     |   |   |   |   |   |       |       |       |   |       |   |     |   |   |   |   |   |       |       |   |   |      |   |     |   |   |   |   |   |       |       |   |   |      |   |     |   |   |   |   |   |   |   |   |   |       |   |     |   |   |   |   |   |   |   |   |   |       |   |
|  | 85°   | 85°     | 75°   | 65°    | 55°   | 45°         |       |       |   |       |      |      |  |  |  |  |  |  |  |  |  |  |      |             |  |  |  |  |  |  |  |  |  |  |  |  |     |     |     |     |     |     |  |  |  |  |  |   |   |   |   |   |   |   |   |   |   |   |   |    |   |        |   |   |   |   |   |   |   |   |   |    |   |        |   |   |   |   |   |   |   |   |   |    |   |        |   |   |   |   |   |   |   |   |   |    |       |       |   |   |   |   |   |   |   |       |   |    |       |       |   |   |   |   |   |   |   |       |   |    |       |       |   |   |   |   |   |   |   |       |   |    |       |       |   |   |   |   |   |   |   |       |   |    |       |       |   |   |   |   |   |   |   |       |   |    |       |       |   |   |   |   |   |   |   |       |   |    |       |       |       |   |   |   |   |   |   |       |   |    |       |       |       |   |   |   |   |   |   |       |   |    |      |       |       |   |   |   |   |   |   |       |   |    |      |       |       |   |   |   |   |   |   |       |   |    |   |   |       |   |   |   |   |   |   |       |   |    |   |   |       |       |   |   |   |   |   |       |   |    |   |   |       |       |   |   |   |   |   |       |   |    |   |   |       |       |   |   |   |   |   |       |   |    |   |   |   |       |   |   |   |   |   |       |   |    |   |   |   |       |   |   |   |   |   |       |   |    |   |   |   |       |       |   |   |   |   |       |   |    |   |   |   |       |       |   |   |   |   |       |   |    |   |   |   |   |       |   |   |   |   |       |   |     |   |   |   |   |       |   |   |   |   |       |   |     |   |   |   |   |       |   |   |   |   |       |   |     |   |   |   |   |       |   |       |   |   |       |   |     |   |   |   |   |   |   |       |       |   |       |   |     |   |   |   |   |   |       |       |       |   |       |   |     |   |   |   |   |   |       |       |   |   |      |   |     |   |   |   |   |   |       |       |   |   |      |   |     |   |   |   |   |   |   |   |   |   |       |   |     |   |   |   |   |   |   |   |   |   |       |   |
| m  | t     | t       | t     | t      | t     | t           | t     | t     | t | t     | t    |      |  |  |  |  |  |  |  |  |  |  |      |             |  |  |  |  |  |  |  |  |  |  |  |  |     |     |     |     |     |     |  |  |  |  |  |   |   |   |   |   |   |   |   |   |   |   |   |    |   |        |   |   |   |   |   |   |   |   |   |    |   |        |   |   |   |   |   |   |   |   |   |    |   |        |   |   |   |   |   |   |   |   |   |    |       |       |   |   |   |   |   |   |   |       |   |    |       |       |   |   |   |   |   |   |   |       |   |    |       |       |   |   |   |   |   |   |   |       |   |    |       |       |   |   |   |   |   |   |   |       |   |    |       |       |   |   |   |   |   |   |   |       |   |    |       |       |   |   |   |   |   |   |   |       |   |    |       |       |       |   |   |   |   |   |   |       |   |    |       |       |       |   |   |   |   |   |   |       |   |    |      |       |       |   |   |   |   |   |   |       |   |    |      |       |       |   |   |   |   |   |   |       |   |    |   |   |       |   |   |   |   |   |   |       |   |    |   |   |       |       |   |   |   |   |   |       |   |    |   |   |       |       |   |   |   |   |   |       |   |    |   |   |       |       |   |   |   |   |   |       |   |    |   |   |   |       |   |   |   |   |   |       |   |    |   |   |   |       |   |   |   |   |   |       |   |    |   |   |   |       |       |   |   |   |   |       |   |    |   |   |   |       |       |   |   |   |   |       |   |    |   |   |   |   |       |   |   |   |   |       |   |     |   |   |   |   |       |   |   |   |   |       |   |     |   |   |   |   |       |   |   |   |   |       |   |     |   |   |   |   |       |   |       |   |   |       |   |     |   |   |   |   |   |   |       |       |   |       |   |     |   |   |   |   |   |       |       |       |   |       |   |     |   |   |   |   |   |       |       |   |   |      |   |     |   |   |   |   |   |       |       |   |   |      |   |     |   |   |   |   |   |   |   |   |   |       |   |     |   |   |   |   |   |   |   |   |   |       |   |
| 26   | -     | 317,0*  | -     | -      | -     | -           | -     | -     | - | -     | -    |      |  |  |  |  |  |  |  |  |  |  |      |             |  |  |  |  |  |  |  |  |  |  |  |  |     |     |     |     |     |     |  |  |  |  |  |   |   |   |   |   |   |   |   |   |   |   |   |    |   |        |   |   |   |   |   |   |   |   |   |    |   |        |   |   |   |   |   |   |   |   |   |    |   |        |   |   |   |   |   |   |   |   |   |    |       |       |   |   |   |   |   |   |   |       |   |    |       |       |   |   |   |   |   |   |   |       |   |    |       |       |   |   |   |   |   |   |   |       |   |    |       |       |   |   |   |   |   |   |   |       |   |    |       |       |   |   |   |   |   |   |   |       |   |    |       |       |   |   |   |   |   |   |   |       |   |    |       |       |       |   |   |   |   |   |   |       |   |    |       |       |       |   |   |   |   |   |   |       |   |    |      |       |       |   |   |   |   |   |   |       |   |    |      |       |       |   |   |   |   |   |   |       |   |    |   |   |       |   |   |   |   |   |   |       |   |    |   |   |       |       |   |   |   |   |   |       |   |    |   |   |       |       |   |   |   |   |   |       |   |    |   |   |       |       |   |   |   |   |   |       |   |    |   |   |   |       |   |   |   |   |   |       |   |    |   |   |   |       |   |   |   |   |   |       |   |    |   |   |   |       |       |   |   |   |   |       |   |    |   |   |   |       |       |   |   |   |   |       |   |    |   |   |   |   |       |   |   |   |   |       |   |     |   |   |   |   |       |   |   |   |   |       |   |     |   |   |   |   |       |   |   |   |   |       |   |     |   |   |   |   |       |   |       |   |   |       |   |     |   |   |   |   |   |   |       |       |   |       |   |     |   |   |   |   |   |       |       |       |   |       |   |     |   |   |   |   |   |       |       |   |   |      |   |     |   |   |   |   |   |       |       |   |   |      |   |     |   |   |   |   |   |   |   |   |   |       |   |     |   |   |   |   |   |   |   |   |   |       |   |
| 28   | -     | 311,0*  | -     | -      | -     | -           | -     | -     | - | -     | -    |      |  |  |  |  |  |  |  |  |  |  |      |             |  |  |  |  |  |  |  |  |  |  |  |  |     |     |     |     |     |     |  |  |  |  |  |   |   |   |   |   |   |   |   |   |   |   |   |    |   |        |   |   |   |   |   |   |   |   |   |    |   |        |   |   |   |   |   |   |   |   |   |    |   |        |   |   |   |   |   |   |   |   |   |    |       |       |   |   |   |   |   |   |   |       |   |    |       |       |   |   |   |   |   |   |   |       |   |    |       |       |   |   |   |   |   |   |   |       |   |    |       |       |   |   |   |   |   |   |   |       |   |    |       |       |   |   |   |   |   |   |   |       |   |    |       |       |   |   |   |   |   |   |   |       |   |    |       |       |       |   |   |   |   |   |   |       |   |    |       |       |       |   |   |   |   |   |   |       |   |    |      |       |       |   |   |   |   |   |   |       |   |    |      |       |       |   |   |   |   |   |   |       |   |    |   |   |       |   |   |   |   |   |   |       |   |    |   |   |       |       |   |   |   |   |   |       |   |    |   |   |       |       |   |   |   |   |   |       |   |    |   |   |       |       |   |   |   |   |   |       |   |    |   |   |   |       |   |   |   |   |   |       |   |    |   |   |   |       |   |   |   |   |   |       |   |    |   |   |   |       |       |   |   |   |   |       |   |    |   |   |   |       |       |   |   |   |   |       |   |    |   |   |   |   |       |   |   |   |   |       |   |     |   |   |   |   |       |   |   |   |   |       |   |     |   |   |   |   |       |   |   |   |   |       |   |     |   |   |   |   |       |   |       |   |   |       |   |     |   |   |   |   |   |   |       |       |   |       |   |     |   |   |   |   |   |       |       |       |   |       |   |     |   |   |   |   |   |       |       |   |   |      |   |     |   |   |   |   |   |       |       |   |   |      |   |     |   |   |   |   |   |   |   |   |   |       |   |     |   |   |   |   |   |   |   |   |   |       |   |
| 30   | -     | 305,0*  | -     | -      | -     | -           | -     | -     | - | -     | -    |      |  |  |  |  |  |  |  |  |  |  |      |             |  |  |  |  |  |  |  |  |  |  |  |  |     |     |     |     |     |     |  |  |  |  |  |   |   |   |   |   |   |   |   |   |   |   |   |    |   |        |   |   |   |   |   |   |   |   |   |    |   |        |   |   |   |   |   |   |   |   |   |    |   |        |   |   |   |   |   |   |   |   |   |    |       |       |   |   |   |   |   |   |   |       |   |    |       |       |   |   |   |   |   |   |   |       |   |    |       |       |   |   |   |   |   |   |   |       |   |    |       |       |   |   |   |   |   |   |   |       |   |    |       |       |   |   |   |   |   |   |   |       |   |    |       |       |   |   |   |   |   |   |   |       |   |    |       |       |       |   |   |   |   |   |   |       |   |    |       |       |       |   |   |   |   |   |   |       |   |    |      |       |       |   |   |   |   |   |   |       |   |    |      |       |       |   |   |   |   |   |   |       |   |    |   |   |       |   |   |   |   |   |   |       |   |    |   |   |       |       |   |   |   |   |   |       |   |    |   |   |       |       |   |   |   |   |   |       |   |    |   |   |       |       |   |   |   |   |   |       |   |    |   |   |   |       |   |   |   |   |   |       |   |    |   |   |   |       |   |   |   |   |   |       |   |    |   |   |   |       |       |   |   |   |   |       |   |    |   |   |   |       |       |   |   |   |   |       |   |    |   |   |   |   |       |   |   |   |   |       |   |     |   |   |   |   |       |   |   |   |   |       |   |     |   |   |   |   |       |   |   |   |   |       |   |     |   |   |   |   |       |   |       |   |   |       |   |     |   |   |   |   |   |   |       |       |   |       |   |     |   |   |   |   |   |       |       |       |   |       |   |     |   |   |   |   |   |       |       |   |   |      |   |     |   |   |   |   |   |       |       |   |   |      |   |     |   |   |   |   |   |   |   |   |   |       |   |     |   |   |   |   |   |   |   |   |   |       |   |
| 32   | 170,0 | 330,0   | -     | -      | -     | -           | -     | -     | - | 321,0 | -    |      |  |  |  |  |  |  |  |  |  |  |      |             |  |  |  |  |  |  |  |  |  |  |  |  |     |     |     |     |     |     |  |  |  |  |  |   |   |   |   |   |   |   |   |   |   |   |   |    |   |        |   |   |   |   |   |   |   |   |   |    |   |        |   |   |   |   |   |   |   |   |   |    |   |        |   |   |   |   |   |   |   |   |   |    |       |       |   |   |   |   |   |   |   |       |   |    |       |       |   |   |   |   |   |   |   |       |   |    |       |       |   |   |   |   |   |   |   |       |   |    |       |       |   |   |   |   |   |   |   |       |   |    |       |       |   |   |   |   |   |   |   |       |   |    |       |       |   |   |   |   |   |   |   |       |   |    |       |       |       |   |   |   |   |   |   |       |   |    |       |       |       |   |   |   |   |   |   |       |   |    |      |       |       |   |   |   |   |   |   |       |   |    |      |       |       |   |   |   |   |   |   |       |   |    |   |   |       |   |   |   |   |   |   |       |   |    |   |   |       |       |   |   |   |   |   |       |   |    |   |   |       |       |   |   |   |   |   |       |   |    |   |   |       |       |   |   |   |   |   |       |   |    |   |   |   |       |   |   |   |   |   |       |   |    |   |   |   |       |   |   |   |   |   |       |   |    |   |   |   |       |       |   |   |   |   |       |   |    |   |   |   |       |       |   |   |   |   |       |   |    |   |   |   |   |       |   |   |   |   |       |   |     |   |   |   |   |       |   |   |   |   |       |   |     |   |   |   |   |       |   |   |   |   |       |   |     |   |   |   |   |       |   |       |   |   |       |   |     |   |   |   |   |   |   |       |       |   |       |   |     |   |   |   |   |   |       |       |       |   |       |   |     |   |   |   |   |   |       |       |   |   |      |   |     |   |   |   |   |   |       |       |   |   |      |   |     |   |   |   |   |   |   |   |   |   |       |   |     |   |   |   |   |   |   |   |   |   |       |   |
| 34   | 159,0 | 328,0   | -     | -      | -     | -           | -     | -     | - | 321,0 | -    |      |  |  |  |  |  |  |  |  |  |  |      |             |  |  |  |  |  |  |  |  |  |  |  |  |     |     |     |     |     |     |  |  |  |  |  |   |   |   |   |   |   |   |   |   |   |   |   |    |   |        |   |   |   |   |   |   |   |   |   |    |   |        |   |   |   |   |   |   |   |   |   |    |   |        |   |   |   |   |   |   |   |   |   |    |       |       |   |   |   |   |   |   |   |       |   |    |       |       |   |   |   |   |   |   |   |       |   |    |       |       |   |   |   |   |   |   |   |       |   |    |       |       |   |   |   |   |   |   |   |       |   |    |       |       |   |   |   |   |   |   |   |       |   |    |       |       |   |   |   |   |   |   |   |       |   |    |       |       |       |   |   |   |   |   |   |       |   |    |       |       |       |   |   |   |   |   |   |       |   |    |      |       |       |   |   |   |   |   |   |       |   |    |      |       |       |   |   |   |   |   |   |       |   |    |   |   |       |   |   |   |   |   |   |       |   |    |   |   |       |       |   |   |   |   |   |       |   |    |   |   |       |       |   |   |   |   |   |       |   |    |   |   |       |       |   |   |   |   |   |       |   |    |   |   |   |       |   |   |   |   |   |       |   |    |   |   |   |       |   |   |   |   |   |       |   |    |   |   |   |       |       |   |   |   |   |       |   |    |   |   |   |       |       |   |   |   |   |       |   |    |   |   |   |   |       |   |   |   |   |       |   |     |   |   |   |   |       |   |   |   |   |       |   |     |   |   |   |   |       |   |   |   |   |       |   |     |   |   |   |   |       |   |       |   |   |       |   |     |   |   |   |   |   |   |       |       |   |       |   |     |   |   |   |   |   |       |       |       |   |       |   |     |   |   |   |   |   |       |       |   |   |      |   |     |   |   |   |   |   |       |       |   |   |      |   |     |   |   |   |   |   |   |   |   |   |       |   |     |   |   |   |   |   |   |   |   |   |       |   |
| 38   | 141,0 | 320,0   | -     | -      | -     | -           | -     | -     | - | 321,0 | -    |      |  |  |  |  |  |  |  |  |  |  |      |             |  |  |  |  |  |  |  |  |  |  |  |  |     |     |     |     |     |     |  |  |  |  |  |   |   |   |   |   |   |   |   |   |   |   |   |    |   |        |   |   |   |   |   |   |   |   |   |    |   |        |   |   |   |   |   |   |   |   |   |    |   |        |   |   |   |   |   |   |   |   |   |    |       |       |   |   |   |   |   |   |   |       |   |    |       |       |   |   |   |   |   |   |   |       |   |    |       |       |   |   |   |   |   |   |   |       |   |    |       |       |   |   |   |   |   |   |   |       |   |    |       |       |   |   |   |   |   |   |   |       |   |    |       |       |   |   |   |   |   |   |   |       |   |    |       |       |       |   |   |   |   |   |   |       |   |    |       |       |       |   |   |   |   |   |   |       |   |    |      |       |       |   |   |   |   |   |   |       |   |    |      |       |       |   |   |   |   |   |   |       |   |    |   |   |       |   |   |   |   |   |   |       |   |    |   |   |       |       |   |   |   |   |   |       |   |    |   |   |       |       |   |   |   |   |   |       |   |    |   |   |       |       |   |   |   |   |   |       |   |    |   |   |   |       |   |   |   |   |   |       |   |    |   |   |   |       |   |   |   |   |   |       |   |    |   |   |   |       |       |   |   |   |   |       |   |    |   |   |   |       |       |   |   |   |   |       |   |    |   |   |   |   |       |   |   |   |   |       |   |     |   |   |   |   |       |   |   |   |   |       |   |     |   |   |   |   |       |   |   |   |   |       |   |     |   |   |   |   |       |   |       |   |   |       |   |     |   |   |   |   |   |   |       |       |   |       |   |     |   |   |   |   |   |       |       |       |   |       |   |     |   |   |   |   |   |       |       |   |   |      |   |     |   |   |   |   |   |       |       |   |   |      |   |     |   |   |   |   |   |   |   |   |   |       |   |     |   |   |   |   |   |   |   |   |   |       |   |
| 42   | 126,0 | 311,0   | -     | -      | -     | -           | -     | -     | - | 321,0 | -    |      |  |  |  |  |  |  |  |  |  |  |      |             |  |  |  |  |  |  |  |  |  |  |  |  |     |     |     |     |     |     |  |  |  |  |  |   |   |   |   |   |   |   |   |   |   |   |   |    |   |        |   |   |   |   |   |   |   |   |   |    |   |        |   |   |   |   |   |   |   |   |   |    |   |        |   |   |   |   |   |   |   |   |   |    |       |       |   |   |   |   |   |   |   |       |   |    |       |       |   |   |   |   |   |   |   |       |   |    |       |       |   |   |   |   |   |   |   |       |   |    |       |       |   |   |   |   |   |   |   |       |   |    |       |       |   |   |   |   |   |   |   |       |   |    |       |       |   |   |   |   |   |   |   |       |   |    |       |       |       |   |   |   |   |   |   |       |   |    |       |       |       |   |   |   |   |   |   |       |   |    |      |       |       |   |   |   |   |   |   |       |   |    |      |       |       |   |   |   |   |   |   |       |   |    |   |   |       |   |   |   |   |   |   |       |   |    |   |   |       |       |   |   |   |   |   |       |   |    |   |   |       |       |   |   |   |   |   |       |   |    |   |   |       |       |   |   |   |   |   |       |   |    |   |   |   |       |   |   |   |   |   |       |   |    |   |   |   |       |   |   |   |   |   |       |   |    |   |   |   |       |       |   |   |   |   |       |   |    |   |   |   |       |       |   |   |   |   |       |   |    |   |   |   |   |       |   |   |   |   |       |   |     |   |   |   |   |       |   |   |   |   |       |   |     |   |   |   |   |       |   |   |   |   |       |   |     |   |   |   |   |       |   |       |   |   |       |   |     |   |   |   |   |   |   |       |       |   |       |   |     |   |   |   |   |   |       |       |       |   |       |   |     |   |   |   |   |   |       |       |   |   |      |   |     |   |   |   |   |   |       |       |   |   |      |   |     |   |   |   |   |   |   |   |   |   |       |   |     |   |   |   |   |   |   |   |   |   |       |   |
| 46   | 113,0 | 302,0   | -     | -      | -     | -           | -     | -     | - | 321,0 | -    |      |  |  |  |  |  |  |  |  |  |  |      |             |  |  |  |  |  |  |  |  |  |  |  |  |     |     |     |     |     |     |  |  |  |  |  |   |   |   |   |   |   |   |   |   |   |   |   |    |   |        |   |   |   |   |   |   |   |   |   |    |   |        |   |   |   |   |   |   |   |   |   |    |   |        |   |   |   |   |   |   |   |   |   |    |       |       |   |   |   |   |   |   |   |       |   |    |       |       |   |   |   |   |   |   |   |       |   |    |       |       |   |   |   |   |   |   |   |       |   |    |       |       |   |   |   |   |   |   |   |       |   |    |       |       |   |   |   |   |   |   |   |       |   |    |       |       |   |   |   |   |   |   |   |       |   |    |       |       |       |   |   |   |   |   |   |       |   |    |       |       |       |   |   |   |   |   |   |       |   |    |      |       |       |   |   |   |   |   |   |       |   |    |      |       |       |   |   |   |   |   |   |       |   |    |   |   |       |   |   |   |   |   |   |       |   |    |   |   |       |       |   |   |   |   |   |       |   |    |   |   |       |       |   |   |   |   |   |       |   |    |   |   |       |       |   |   |   |   |   |       |   |    |   |   |   |       |   |   |   |   |   |       |   |    |   |   |   |       |   |   |   |   |   |       |   |    |   |   |   |       |       |   |   |   |   |       |   |    |   |   |   |       |       |   |   |   |   |       |   |    |   |   |   |   |       |   |   |   |   |       |   |     |   |   |   |   |       |   |   |   |   |       |   |     |   |   |   |   |       |   |   |   |   |       |   |     |   |   |   |   |       |   |       |   |   |       |   |     |   |   |   |   |   |   |       |       |   |       |   |     |   |   |   |   |   |       |       |       |   |       |   |     |   |   |   |   |   |       |       |   |   |      |   |     |   |   |   |   |   |       |       |   |   |      |   |     |   |   |   |   |   |   |   |   |   |       |   |     |   |   |   |   |   |   |   |   |   |       |   |
| 50   | 101,0 | 293,0   | -     | -      | -     | -           | -     | -     | - | 321,0 | -    |      |  |  |  |  |  |  |  |  |  |  |      |             |  |  |  |  |  |  |  |  |  |  |  |  |     |     |     |     |     |     |  |  |  |  |  |   |   |   |   |   |   |   |   |   |   |   |   |    |   |        |   |   |   |   |   |   |   |   |   |    |   |        |   |   |   |   |   |   |   |   |   |    |   |        |   |   |   |   |   |   |   |   |   |    |       |       |   |   |   |   |   |   |   |       |   |    |       |       |   |   |   |   |   |   |   |       |   |    |       |       |   |   |   |   |   |   |   |       |   |    |       |       |   |   |   |   |   |   |   |       |   |    |       |       |   |   |   |   |   |   |   |       |   |    |       |       |   |   |   |   |   |   |   |       |   |    |       |       |       |   |   |   |   |   |   |       |   |    |       |       |       |   |   |   |   |   |   |       |   |    |      |       |       |   |   |   |   |   |   |       |   |    |      |       |       |   |   |   |   |   |   |       |   |    |   |   |       |   |   |   |   |   |   |       |   |    |   |   |       |       |   |   |   |   |   |       |   |    |   |   |       |       |   |   |   |   |   |       |   |    |   |   |       |       |   |   |   |   |   |       |   |    |   |   |   |       |   |   |   |   |   |       |   |    |   |   |   |       |   |   |   |   |   |       |   |    |   |   |   |       |       |   |   |   |   |       |   |    |   |   |   |       |       |   |   |   |   |       |   |    |   |   |   |   |       |   |   |   |   |       |   |     |   |   |   |   |       |   |   |   |   |       |   |     |   |   |   |   |       |   |   |   |   |       |   |     |   |   |   |   |       |   |       |   |   |       |   |     |   |   |   |   |   |   |       |       |   |       |   |     |   |   |   |   |   |       |       |       |   |       |   |     |   |   |   |   |   |       |       |   |   |      |   |     |   |   |   |   |   |       |       |   |   |      |   |     |   |   |   |   |   |   |   |   |   |       |   |     |   |   |   |   |   |   |   |   |   |       |   |
| 54   | 92,0  | 270,0   | 335,0 | -      | -     | -           | -     | -     | - | 311,0 | -    |      |  |  |  |  |  |  |  |  |  |  |      |             |  |  |  |  |  |  |  |  |  |  |  |  |     |     |     |     |     |     |  |  |  |  |  |   |   |   |   |   |   |   |   |   |   |   |   |    |   |        |   |   |   |   |   |   |   |   |   |    |   |        |   |   |   |   |   |   |   |   |   |    |   |        |   |   |   |   |   |   |   |   |   |    |       |       |   |   |   |   |   |   |   |       |   |    |       |       |   |   |   |   |   |   |   |       |   |    |       |       |   |   |   |   |   |   |   |       |   |    |       |       |   |   |   |   |   |   |   |       |   |    |       |       |   |   |   |   |   |   |   |       |   |    |       |       |   |   |   |   |   |   |   |       |   |    |       |       |       |   |   |   |   |   |   |       |   |    |       |       |       |   |   |   |   |   |   |       |   |    |      |       |       |   |   |   |   |   |   |       |   |    |      |       |       |   |   |   |   |   |   |       |   |    |   |   |       |   |   |   |   |   |   |       |   |    |   |   |       |       |   |   |   |   |   |       |   |    |   |   |       |       |   |   |   |   |   |       |   |    |   |   |       |       |   |   |   |   |   |       |   |    |   |   |   |       |   |   |   |   |   |       |   |    |   |   |   |       |   |   |   |   |   |       |   |    |   |   |   |       |       |   |   |   |   |       |   |    |   |   |   |       |       |   |   |   |   |       |   |    |   |   |   |   |       |   |   |   |   |       |   |     |   |   |   |   |       |   |   |   |   |       |   |     |   |   |   |   |       |   |   |   |   |       |   |     |   |   |   |   |       |   |       |   |   |       |   |     |   |   |   |   |   |   |       |       |   |       |   |     |   |   |   |   |   |       |       |       |   |       |   |     |   |   |   |   |   |       |       |   |   |      |   |     |   |   |   |   |   |       |       |   |   |      |   |     |   |   |   |   |   |   |   |   |   |       |   |     |   |   |   |   |   |   |   |   |   |       |   |
| 58   | 83,0  | 243,0   | 333,0 | -      | -     | -           | -     | -     | - | 301,0 | -    |      |  |  |  |  |  |  |  |  |  |  |      |             |  |  |  |  |  |  |  |  |  |  |  |  |     |     |     |     |     |     |  |  |  |  |  |   |   |   |   |   |   |   |   |   |   |   |   |    |   |        |   |   |   |   |   |   |   |   |   |    |   |        |   |   |   |   |   |   |   |   |   |    |   |        |   |   |   |   |   |   |   |   |   |    |       |       |   |   |   |   |   |   |   |       |   |    |       |       |   |   |   |   |   |   |   |       |   |    |       |       |   |   |   |   |   |   |   |       |   |    |       |       |   |   |   |   |   |   |   |       |   |    |       |       |   |   |   |   |   |   |   |       |   |    |       |       |   |   |   |   |   |   |   |       |   |    |       |       |       |   |   |   |   |   |   |       |   |    |       |       |       |   |   |   |   |   |   |       |   |    |      |       |       |   |   |   |   |   |   |       |   |    |      |       |       |   |   |   |   |   |   |       |   |    |   |   |       |   |   |   |   |   |   |       |   |    |   |   |       |       |   |   |   |   |   |       |   |    |   |   |       |       |   |   |   |   |   |       |   |    |   |   |       |       |   |   |   |   |   |       |   |    |   |   |   |       |   |   |   |   |   |       |   |    |   |   |   |       |   |   |   |   |   |       |   |    |   |   |   |       |       |   |   |   |   |       |   |    |   |   |   |       |       |   |   |   |   |       |   |    |   |   |   |   |       |   |   |   |   |       |   |     |   |   |   |   |       |   |   |   |   |       |   |     |   |   |   |   |       |   |   |   |   |       |   |     |   |   |   |   |       |   |       |   |   |       |   |     |   |   |   |   |   |   |       |       |   |       |   |     |   |   |   |   |   |       |       |       |   |       |   |     |   |   |   |   |   |       |       |   |   |      |   |     |   |   |   |   |   |       |       |   |   |      |   |     |   |   |   |   |   |   |   |   |   |       |   |     |   |   |   |   |   |   |   |   |   |       |   |
| 62   | 74,5  | 220,0   | 307,0 | -      | -     | -           | -     | -     | - | 288,0 | -    |      |  |  |  |  |  |  |  |  |  |  |      |             |  |  |  |  |  |  |  |  |  |  |  |  |     |     |     |     |     |     |  |  |  |  |  |   |   |   |   |   |   |   |   |   |   |   |   |    |   |        |   |   |   |   |   |   |   |   |   |    |   |        |   |   |   |   |   |   |   |   |   |    |   |        |   |   |   |   |   |   |   |   |   |    |       |       |   |   |   |   |   |   |   |       |   |    |       |       |   |   |   |   |   |   |   |       |   |    |       |       |   |   |   |   |   |   |   |       |   |    |       |       |   |   |   |   |   |   |   |       |   |    |       |       |   |   |   |   |   |   |   |       |   |    |       |       |   |   |   |   |   |   |   |       |   |    |       |       |       |   |   |   |   |   |   |       |   |    |       |       |       |   |   |   |   |   |   |       |   |    |      |       |       |   |   |   |   |   |   |       |   |    |      |       |       |   |   |   |   |   |   |       |   |    |   |   |       |   |   |   |   |   |   |       |   |    |   |   |       |       |   |   |   |   |   |       |   |    |   |   |       |       |   |   |   |   |   |       |   |    |   |   |       |       |   |   |   |   |   |       |   |    |   |   |   |       |   |   |   |   |   |       |   |    |   |   |   |       |   |   |   |   |   |       |   |    |   |   |   |       |       |   |   |   |   |       |   |    |   |   |   |       |       |   |   |   |   |       |   |    |   |   |   |   |       |   |   |   |   |       |   |     |   |   |   |   |       |   |   |   |   |       |   |     |   |   |   |   |       |   |   |   |   |       |   |     |   |   |   |   |       |   |       |   |   |       |   |     |   |   |   |   |   |   |       |       |   |       |   |     |   |   |   |   |   |       |       |       |   |       |   |     |   |   |   |   |   |       |       |   |   |      |   |     |   |   |   |   |   |       |       |   |   |      |   |     |   |   |   |   |   |   |   |   |   |       |   |     |   |   |   |   |   |   |   |   |   |       |   |
| 66   | 67,0  | 193,0   | 274,0 | -      | -     | -           | -     | -     | - | 279,0 | -    |      |  |  |  |  |  |  |  |  |  |  |      |             |  |  |  |  |  |  |  |  |  |  |  |  |     |     |     |     |     |     |  |  |  |  |  |   |   |   |   |   |   |   |   |   |   |   |   |    |   |        |   |   |   |   |   |   |   |   |   |    |   |        |   |   |   |   |   |   |   |   |   |    |   |        |   |   |   |   |   |   |   |   |   |    |       |       |   |   |   |   |   |   |   |       |   |    |       |       |   |   |   |   |   |   |   |       |   |    |       |       |   |   |   |   |   |   |   |       |   |    |       |       |   |   |   |   |   |   |   |       |   |    |       |       |   |   |   |   |   |   |   |       |   |    |       |       |   |   |   |   |   |   |   |       |   |    |       |       |       |   |   |   |   |   |   |       |   |    |       |       |       |   |   |   |   |   |   |       |   |    |      |       |       |   |   |   |   |   |   |       |   |    |      |       |       |   |   |   |   |   |   |       |   |    |   |   |       |   |   |   |   |   |   |       |   |    |   |   |       |       |   |   |   |   |   |       |   |    |   |   |       |       |   |   |   |   |   |       |   |    |   |   |       |       |   |   |   |   |   |       |   |    |   |   |   |       |   |   |   |   |   |       |   |    |   |   |   |       |   |   |   |   |   |       |   |    |   |   |   |       |       |   |   |   |   |       |   |    |   |   |   |       |       |   |   |   |   |       |   |    |   |   |   |   |       |   |   |   |   |       |   |     |   |   |   |   |       |   |   |   |   |       |   |     |   |   |   |   |       |   |   |   |   |       |   |     |   |   |   |   |       |   |       |   |   |       |   |     |   |   |   |   |   |   |       |       |   |       |   |     |   |   |   |   |   |       |       |       |   |       |   |     |   |   |   |   |   |       |       |   |   |      |   |     |   |   |   |   |   |       |       |   |   |      |   |     |   |   |   |   |   |   |   |   |   |       |   |     |   |   |   |   |   |   |   |   |   |       |   |
| 70   | -     | -       | 246,0 | -      | -     | -           | -     | -     | - | 269,0 | -    |      |  |  |  |  |  |  |  |  |  |  |      |             |  |  |  |  |  |  |  |  |  |  |  |  |     |     |     |     |     |     |  |  |  |  |  |   |   |   |   |   |   |   |   |   |   |   |   |    |   |        |   |   |   |   |   |   |   |   |   |    |   |        |   |   |   |   |   |   |   |   |   |    |   |        |   |   |   |   |   |   |   |   |   |    |       |       |   |   |   |   |   |   |   |       |   |    |       |       |   |   |   |   |   |   |   |       |   |    |       |       |   |   |   |   |   |   |   |       |   |    |       |       |   |   |   |   |   |   |   |       |   |    |       |       |   |   |   |   |   |   |   |       |   |    |       |       |   |   |   |   |   |   |   |       |   |    |       |       |       |   |   |   |   |   |   |       |   |    |       |       |       |   |   |   |   |   |   |       |   |    |      |       |       |   |   |   |   |   |   |       |   |    |      |       |       |   |   |   |   |   |   |       |   |    |   |   |       |   |   |   |   |   |   |       |   |    |   |   |       |       |   |   |   |   |   |       |   |    |   |   |       |       |   |   |   |   |   |       |   |    |   |   |       |       |   |   |   |   |   |       |   |    |   |   |   |       |   |   |   |   |   |       |   |    |   |   |   |       |   |   |   |   |   |       |   |    |   |   |   |       |       |   |   |   |   |       |   |    |   |   |   |       |       |   |   |   |   |       |   |    |   |   |   |   |       |   |   |   |   |       |   |     |   |   |   |   |       |   |   |   |   |       |   |     |   |   |   |   |       |   |   |   |   |       |   |     |   |   |   |   |       |   |       |   |   |       |   |     |   |   |   |   |   |   |       |       |   |       |   |     |   |   |   |   |   |       |       |       |   |       |   |     |   |   |   |   |   |       |       |   |   |      |   |     |   |   |   |   |   |       |       |   |   |      |   |     |   |   |   |   |   |   |   |   |   |       |   |     |   |   |   |   |   |   |   |   |   |       |   |
| 74   | -     | -       | 223,0 | 251,0  | -     | -           | -     | -     | - | 249,0 | -    |      |  |  |  |  |  |  |  |  |  |  |      |             |  |  |  |  |  |  |  |  |  |  |  |  |     |     |     |     |     |     |  |  |  |  |  |   |   |   |   |   |   |   |   |   |   |   |   |    |   |        |   |   |   |   |   |   |   |   |   |    |   |        |   |   |   |   |   |   |   |   |   |    |   |        |   |   |   |   |   |   |   |   |   |    |       |       |   |   |   |   |   |   |   |       |   |    |       |       |   |   |   |   |   |   |   |       |   |    |       |       |   |   |   |   |   |   |   |       |   |    |       |       |   |   |   |   |   |   |   |       |   |    |       |       |   |   |   |   |   |   |   |       |   |    |       |       |   |   |   |   |   |   |   |       |   |    |       |       |       |   |   |   |   |   |   |       |   |    |       |       |       |   |   |   |   |   |   |       |   |    |      |       |       |   |   |   |   |   |   |       |   |    |      |       |       |   |   |   |   |   |   |       |   |    |   |   |       |   |   |   |   |   |   |       |   |    |   |   |       |       |   |   |   |   |   |       |   |    |   |   |       |       |   |   |   |   |   |       |   |    |   |   |       |       |   |   |   |   |   |       |   |    |   |   |   |       |   |   |   |   |   |       |   |    |   |   |   |       |   |   |   |   |   |       |   |    |   |   |   |       |       |   |   |   |   |       |   |    |   |   |   |       |       |   |   |   |   |       |   |    |   |   |   |   |       |   |   |   |   |       |   |     |   |   |   |   |       |   |   |   |   |       |   |     |   |   |   |   |       |   |   |   |   |       |   |     |   |   |   |   |       |   |       |   |   |       |   |     |   |   |   |   |   |   |       |       |   |       |   |     |   |   |   |   |   |       |       |       |   |       |   |     |   |   |   |   |   |       |       |   |   |      |   |     |   |   |   |   |   |       |       |   |   |      |   |     |   |   |   |   |   |   |   |   |   |       |   |     |   |   |   |   |   |   |   |   |   |       |   |
| 78   | -     | -       | 203,0 | 236,0  | -     | -           | -     | -     | - | 230,0 | -    |      |  |  |  |  |  |  |  |  |  |  |      |             |  |  |  |  |  |  |  |  |  |  |  |  |     |     |     |     |     |     |  |  |  |  |  |   |   |   |   |   |   |   |   |   |   |   |   |    |   |        |   |   |   |   |   |   |   |   |   |    |   |        |   |   |   |   |   |   |   |   |   |    |   |        |   |   |   |   |   |   |   |   |   |    |       |       |   |   |   |   |   |   |   |       |   |    |       |       |   |   |   |   |   |   |   |       |   |    |       |       |   |   |   |   |   |   |   |       |   |    |       |       |   |   |   |   |   |   |   |       |   |    |       |       |   |   |   |   |   |   |   |       |   |    |       |       |   |   |   |   |   |   |   |       |   |    |       |       |       |   |   |   |   |   |   |       |   |    |       |       |       |   |   |   |   |   |   |       |   |    |      |       |       |   |   |   |   |   |   |       |   |    |      |       |       |   |   |   |   |   |   |       |   |    |   |   |       |   |   |   |   |   |   |       |   |    |   |   |       |       |   |   |   |   |   |       |   |    |   |   |       |       |   |   |   |   |   |       |   |    |   |   |       |       |   |   |   |   |   |       |   |    |   |   |   |       |   |   |   |   |   |       |   |    |   |   |   |       |   |   |   |   |   |       |   |    |   |   |   |       |       |   |   |   |   |       |   |    |   |   |   |       |       |   |   |   |   |       |   |    |   |   |   |   |       |   |   |   |   |       |   |     |   |   |   |   |       |   |   |   |   |       |   |     |   |   |   |   |       |   |   |   |   |       |   |     |   |   |   |   |       |   |       |   |   |       |   |     |   |   |   |   |   |   |       |       |   |       |   |     |   |   |   |   |   |       |       |       |   |       |   |     |   |   |   |   |   |       |       |   |   |      |   |     |   |   |   |   |   |       |       |   |   |      |   |     |   |   |   |   |   |   |   |   |   |       |   |     |   |   |   |   |   |   |   |   |   |       |   |
| 82   | -     | -       | -     | 222,0  | -     | -           | -     | -     | - | 213,0 | -    |      |  |  |  |  |  |  |  |  |  |  |      |             |  |  |  |  |  |  |  |  |  |  |  |  |     |     |     |     |     |     |  |  |  |  |  |   |   |   |   |   |   |   |   |   |   |   |   |    |   |        |   |   |   |   |   |   |   |   |   |    |   |        |   |   |   |   |   |   |   |   |   |    |   |        |   |   |   |   |   |   |   |   |   |    |       |       |   |   |   |   |   |   |   |       |   |    |       |       |   |   |   |   |   |   |   |       |   |    |       |       |   |   |   |   |   |   |   |       |   |    |       |       |   |   |   |   |   |   |   |       |   |    |       |       |   |   |   |   |   |   |   |       |   |    |       |       |   |   |   |   |   |   |   |       |   |    |       |       |       |   |   |   |   |   |   |       |   |    |       |       |       |   |   |   |   |   |   |       |   |    |      |       |       |   |   |   |   |   |   |       |   |    |      |       |       |   |   |   |   |   |   |       |   |    |   |   |       |   |   |   |   |   |   |       |   |    |   |   |       |       |   |   |   |   |   |       |   |    |   |   |       |       |   |   |   |   |   |       |   |    |   |   |       |       |   |   |   |   |   |       |   |    |   |   |   |       |   |   |   |   |   |       |   |    |   |   |   |       |   |   |   |   |   |       |   |    |   |   |   |       |       |   |   |   |   |       |   |    |   |   |   |       |       |   |   |   |   |       |   |    |   |   |   |   |       |   |   |   |   |       |   |     |   |   |   |   |       |   |   |   |   |       |   |     |   |   |   |   |       |   |   |   |   |       |   |     |   |   |   |   |       |   |       |   |   |       |   |     |   |   |   |   |   |   |       |       |   |       |   |     |   |   |   |   |   |       |       |       |   |       |   |     |   |   |   |   |   |       |       |   |   |      |   |     |   |   |   |   |   |       |       |   |   |      |   |     |   |   |   |   |   |   |   |   |   |       |   |     |   |   |   |   |   |   |   |   |   |       |   |
| 86   | -     | -       | -     | 209,0  | -     | -           | -     | -     | - | 197,0 | -    |      |  |  |  |  |  |  |  |  |  |  |      |             |  |  |  |  |  |  |  |  |  |  |  |  |     |     |     |     |     |     |  |  |  |  |  |   |   |   |   |   |   |   |   |   |   |   |   |    |   |        |   |   |   |   |   |   |   |   |   |    |   |        |   |   |   |   |   |   |   |   |   |    |   |        |   |   |   |   |   |   |   |   |   |    |       |       |   |   |   |   |   |   |   |       |   |    |       |       |   |   |   |   |   |   |   |       |   |    |       |       |   |   |   |   |   |   |   |       |   |    |       |       |   |   |   |   |   |   |   |       |   |    |       |       |   |   |   |   |   |   |   |       |   |    |       |       |   |   |   |   |   |   |   |       |   |    |       |       |       |   |   |   |   |   |   |       |   |    |       |       |       |   |   |   |   |   |   |       |   |    |      |       |       |   |   |   |   |   |   |       |   |    |      |       |       |   |   |   |   |   |   |       |   |    |   |   |       |   |   |   |   |   |   |       |   |    |   |   |       |       |   |   |   |   |   |       |   |    |   |   |       |       |   |   |   |   |   |       |   |    |   |   |       |       |   |   |   |   |   |       |   |    |   |   |   |       |   |   |   |   |   |       |   |    |   |   |   |       |   |   |   |   |   |       |   |    |   |   |   |       |       |   |   |   |   |       |   |    |   |   |   |       |       |   |   |   |   |       |   |    |   |   |   |   |       |   |   |   |   |       |   |     |   |   |   |   |       |   |   |   |   |       |   |     |   |   |   |   |       |   |   |   |   |       |   |     |   |   |   |   |       |   |       |   |   |       |   |     |   |   |   |   |   |   |       |       |   |       |   |     |   |   |   |   |   |       |       |       |   |       |   |     |   |   |   |   |   |       |       |   |   |      |   |     |   |   |   |   |   |       |       |   |   |      |   |     |   |   |   |   |   |   |   |   |   |       |   |     |   |   |   |   |   |   |   |   |   |       |   |
| 90   | -     | -       | -     | 198,0  | -     | -           | -     | -     | - | 183,0 | -    |      |  |  |  |  |  |  |  |  |  |  |      |             |  |  |  |  |  |  |  |  |  |  |  |  |     |     |     |     |     |     |  |  |  |  |  |   |   |   |   |   |   |   |   |   |   |   |   |    |   |        |   |   |   |   |   |   |   |   |   |    |   |        |   |   |   |   |   |   |   |   |   |    |   |        |   |   |   |   |   |   |   |   |   |    |       |       |   |   |   |   |   |   |   |       |   |    |       |       |   |   |   |   |   |   |   |       |   |    |       |       |   |   |   |   |   |   |   |       |   |    |       |       |   |   |   |   |   |   |   |       |   |    |       |       |   |   |   |   |   |   |   |       |   |    |       |       |   |   |   |   |   |   |   |       |   |    |       |       |       |   |   |   |   |   |   |       |   |    |       |       |       |   |   |   |   |   |   |       |   |    |      |       |       |   |   |   |   |   |   |       |   |    |      |       |       |   |   |   |   |   |   |       |   |    |   |   |       |   |   |   |   |   |   |       |   |    |   |   |       |       |   |   |   |   |   |       |   |    |   |   |       |       |   |   |   |   |   |       |   |    |   |   |       |       |   |   |   |   |   |       |   |    |   |   |   |       |   |   |   |   |   |       |   |    |   |   |   |       |   |   |   |   |   |       |   |    |   |   |   |       |       |   |   |   |   |       |   |    |   |   |   |       |       |   |   |   |   |       |   |    |   |   |   |   |       |   |   |   |   |       |   |     |   |   |   |   |       |   |   |   |   |       |   |     |   |   |   |   |       |   |   |   |   |       |   |     |   |   |   |   |       |   |       |   |   |       |   |     |   |   |   |   |   |   |       |       |   |       |   |     |   |   |   |   |   |       |       |       |   |       |   |     |   |   |   |   |   |       |       |   |   |      |   |     |   |   |   |   |   |       |       |   |   |      |   |     |   |   |   |   |   |   |   |   |   |       |   |     |   |   |   |   |   |   |   |   |   |       |   |
| 92   | -     | -       | -     | -      | 178,0 | -           | -     | -     | - | 176,5 | -    |      |  |  |  |  |  |  |  |  |  |  |      |             |  |  |  |  |  |  |  |  |  |  |  |  |     |     |     |     |     |     |  |  |  |  |  |   |   |   |   |   |   |   |   |   |   |   |   |    |   |        |   |   |   |   |   |   |   |   |   |    |   |        |   |   |   |   |   |   |   |   |   |    |   |        |   |   |   |   |   |   |   |   |   |    |       |       |   |   |   |   |   |   |   |       |   |    |       |       |   |   |   |   |   |   |   |       |   |    |       |       |   |   |   |   |   |   |   |       |   |    |       |       |   |   |   |   |   |   |   |       |   |    |       |       |   |   |   |   |   |   |   |       |   |    |       |       |   |   |   |   |   |   |   |       |   |    |       |       |       |   |   |   |   |   |   |       |   |    |       |       |       |   |   |   |   |   |   |       |   |    |      |       |       |   |   |   |   |   |   |       |   |    |      |       |       |   |   |   |   |   |   |       |   |    |   |   |       |   |   |   |   |   |   |       |   |    |   |   |       |       |   |   |   |   |   |       |   |    |   |   |       |       |   |   |   |   |   |       |   |    |   |   |       |       |   |   |   |   |   |       |   |    |   |   |   |       |   |   |   |   |   |       |   |    |   |   |   |       |   |   |   |   |   |       |   |    |   |   |   |       |       |   |   |   |   |       |   |    |   |   |   |       |       |   |   |   |   |       |   |    |   |   |   |   |       |   |   |   |   |       |   |     |   |   |   |   |       |   |   |   |   |       |   |     |   |   |   |   |       |   |   |   |   |       |   |     |   |   |   |   |       |   |       |   |   |       |   |     |   |   |   |   |   |   |       |       |   |       |   |     |   |   |   |   |   |       |       |       |   |       |   |     |   |   |   |   |   |       |       |   |   |      |   |     |   |   |   |   |   |       |       |   |   |      |   |     |   |   |   |   |   |   |   |   |   |       |   |     |   |   |   |   |   |   |   |   |   |       |   |
| 94   | -     | -       | -     | -      | 173,0 | -           | -     | -     | - | 170,0 | -    |      |  |  |  |  |  |  |  |  |  |  |      |             |  |  |  |  |  |  |  |  |  |  |  |  |     |     |     |     |     |     |  |  |  |  |  |   |   |   |   |   |   |   |   |   |   |   |   |    |   |        |   |   |   |   |   |   |   |   |   |    |   |        |   |   |   |   |   |   |   |   |   |    |   |        |   |   |   |   |   |   |   |   |   |    |       |       |   |   |   |   |   |   |   |       |   |    |       |       |   |   |   |   |   |   |   |       |   |    |       |       |   |   |   |   |   |   |   |       |   |    |       |       |   |   |   |   |   |   |   |       |   |    |       |       |   |   |   |   |   |   |   |       |   |    |       |       |   |   |   |   |   |   |   |       |   |    |       |       |       |   |   |   |   |   |   |       |   |    |       |       |       |   |   |   |   |   |   |       |   |    |      |       |       |   |   |   |   |   |   |       |   |    |      |       |       |   |   |   |   |   |   |       |   |    |   |   |       |   |   |   |   |   |   |       |   |    |   |   |       |       |   |   |   |   |   |       |   |    |   |   |       |       |   |   |   |   |   |       |   |    |   |   |       |       |   |   |   |   |   |       |   |    |   |   |   |       |   |   |   |   |   |       |   |    |   |   |   |       |   |   |   |   |   |       |   |    |   |   |   |       |       |   |   |   |   |       |   |    |   |   |   |       |       |   |   |   |   |       |   |    |   |   |   |   |       |   |   |   |   |       |   |     |   |   |   |   |       |   |   |   |   |       |   |     |   |   |   |   |       |   |   |   |   |       |   |     |   |   |   |   |       |   |       |   |   |       |   |     |   |   |   |   |   |   |       |       |   |       |   |     |   |   |   |   |   |       |       |       |   |       |   |     |   |   |   |   |   |       |       |   |   |      |   |     |   |   |   |   |   |       |       |   |   |      |   |     |   |   |   |   |   |   |   |   |   |       |   |     |   |   |   |   |   |   |   |   |   |       |   |
| 98   | -     | -       | -     | -      | 165,0 | -           | -     | -     | - | 156,0 | -    |      |  |  |  |  |  |  |  |  |  |  |      |             |  |  |  |  |  |  |  |  |  |  |  |  |     |     |     |     |     |     |  |  |  |  |  |   |   |   |   |   |   |   |   |   |   |   |   |    |   |        |   |   |   |   |   |   |   |   |   |    |   |        |   |   |   |   |   |   |   |   |   |    |   |        |   |   |   |   |   |   |   |   |   |    |       |       |   |   |   |   |   |   |   |       |   |    |       |       |   |   |   |   |   |   |   |       |   |    |       |       |   |   |   |   |   |   |   |       |   |    |       |       |   |   |   |   |   |   |   |       |   |    |       |       |   |   |   |   |   |   |   |       |   |    |       |       |   |   |   |   |   |   |   |       |   |    |       |       |       |   |   |   |   |   |   |       |   |    |       |       |       |   |   |   |   |   |   |       |   |    |      |       |       |   |   |   |   |   |   |       |   |    |      |       |       |   |   |   |   |   |   |       |   |    |   |   |       |   |   |   |   |   |   |       |   |    |   |   |       |       |   |   |   |   |   |       |   |    |   |   |       |       |   |   |   |   |   |       |   |    |   |   |       |       |   |   |   |   |   |       |   |    |   |   |   |       |   |   |   |   |   |       |   |    |   |   |   |       |   |   |   |   |   |       |   |    |   |   |   |       |       |   |   |   |   |       |   |    |   |   |   |       |       |   |   |   |   |       |   |    |   |   |   |   |       |   |   |   |   |       |   |     |   |   |   |   |       |   |   |   |   |       |   |     |   |   |   |   |       |   |   |   |   |       |   |     |   |   |   |   |       |   |       |   |   |       |   |     |   |   |   |   |   |   |       |       |   |       |   |     |   |   |   |   |   |       |       |       |   |       |   |     |   |   |   |   |   |       |       |   |   |      |   |     |   |   |   |   |   |       |       |   |   |      |   |     |   |   |   |   |   |   |   |   |   |       |   |     |   |   |   |   |   |   |   |   |   |       |   |
| 102  | -     | -       | -     | -      | 157,0 | -           | -     | -     | - | 140,0 | -    |      |  |  |  |  |  |  |  |  |  |  |      |             |  |  |  |  |  |  |  |  |  |  |  |  |     |     |     |     |     |     |  |  |  |  |  |   |   |   |   |   |   |   |   |   |   |   |   |    |   |        |   |   |   |   |   |   |   |   |   |    |   |        |   |   |   |   |   |   |   |   |   |    |   |        |   |   |   |   |   |   |   |   |   |    |       |       |   |   |   |   |   |   |   |       |   |    |       |       |   |   |   |   |   |   |   |       |   |    |       |       |   |   |   |   |   |   |   |       |   |    |       |       |   |   |   |   |   |   |   |       |   |    |       |       |   |   |   |   |   |   |   |       |   |    |       |       |   |   |   |   |   |   |   |       |   |    |       |       |       |   |   |   |   |   |   |       |   |    |       |       |       |   |   |   |   |   |   |       |   |    |      |       |       |   |   |   |   |   |   |       |   |    |      |       |       |   |   |   |   |   |   |       |   |    |   |   |       |   |   |   |   |   |   |       |   |    |   |   |       |       |   |   |   |   |   |       |   |    |   |   |       |       |   |   |   |   |   |       |   |    |   |   |       |       |   |   |   |   |   |       |   |    |   |   |   |       |   |   |   |   |   |       |   |    |   |   |   |       |   |   |   |   |   |       |   |    |   |   |   |       |       |   |   |   |   |       |   |    |   |   |   |       |       |   |   |   |   |       |   |    |   |   |   |   |       |   |   |   |   |       |   |     |   |   |   |   |       |   |   |   |   |       |   |     |   |   |   |   |       |   |   |   |   |       |   |     |   |   |   |   |       |   |       |   |   |       |   |     |   |   |   |   |   |   |       |       |   |       |   |     |   |   |   |   |   |       |       |       |   |       |   |     |   |   |   |   |   |       |       |   |   |      |   |     |   |   |   |   |   |       |       |   |   |      |   |     |   |   |   |   |   |   |   |   |   |       |   |     |   |   |   |   |   |   |   |   |   |       |   |
| 106  | -     | -       | -     | -      | -     | -           | -     | -     | - | 125,0 | -    |      |  |  |  |  |  |  |  |  |  |  |      |             |  |  |  |  |  |  |  |  |  |  |  |  |     |     |     |     |     |     |  |  |  |  |  |   |   |   |   |   |   |   |   |   |   |   |   |    |   |        |   |   |   |   |   |   |   |   |   |    |   |        |   |   |   |   |   |   |   |   |   |    |   |        |   |   |   |   |   |   |   |   |   |    |       |       |   |   |   |   |   |   |   |       |   |    |       |       |   |   |   |   |   |   |   |       |   |    |       |       |   |   |   |   |   |   |   |       |   |    |       |       |   |   |   |   |   |   |   |       |   |    |       |       |   |   |   |   |   |   |   |       |   |    |       |       |   |   |   |   |   |   |   |       |   |    |       |       |       |   |   |   |   |   |   |       |   |    |       |       |       |   |   |   |   |   |   |       |   |    |      |       |       |   |   |   |   |   |   |       |   |    |      |       |       |   |   |   |   |   |   |       |   |    |   |   |       |   |   |   |   |   |   |       |   |    |   |   |       |       |   |   |   |   |   |       |   |    |   |   |       |       |   |   |   |   |   |       |   |    |   |   |       |       |   |   |   |   |   |       |   |    |   |   |   |       |   |   |   |   |   |       |   |    |   |   |   |       |   |   |   |   |   |       |   |    |   |   |   |       |       |   |   |   |   |       |   |    |   |   |   |       |       |   |   |   |   |       |   |    |   |   |   |   |       |   |   |   |   |       |   |     |   |   |   |   |       |   |   |   |   |       |   |     |   |   |   |   |       |   |   |   |   |       |   |     |   |   |   |   |       |   |       |   |   |       |   |     |   |   |   |   |   |   |       |       |   |       |   |     |   |   |   |   |   |       |       |       |   |       |   |     |   |   |   |   |   |       |       |   |   |      |   |     |   |   |   |   |   |       |       |   |   |      |   |     |   |   |   |   |   |   |   |   |   |       |   |     |   |   |   |   |   |   |   |   |   |       |   |
| 108  | -     | -       | -     | -      | -     | -           | 120,0 | -     | - | 118,0 | -    |      |  |  |  |  |  |  |  |  |  |  |      |             |  |  |  |  |  |  |  |  |  |  |  |  |     |     |     |     |     |     |  |  |  |  |  |   |   |   |   |   |   |   |   |   |   |   |   |    |   |        |   |   |   |   |   |   |   |   |   |    |   |        |   |   |   |   |   |   |   |   |   |    |   |        |   |   |   |   |   |   |   |   |   |    |       |       |   |   |   |   |   |   |   |       |   |    |       |       |   |   |   |   |   |   |   |       |   |    |       |       |   |   |   |   |   |   |   |       |   |    |       |       |   |   |   |   |   |   |   |       |   |    |       |       |   |   |   |   |   |   |   |       |   |    |       |       |   |   |   |   |   |   |   |       |   |    |       |       |       |   |   |   |   |   |   |       |   |    |       |       |       |   |   |   |   |   |   |       |   |    |      |       |       |   |   |   |   |   |   |       |   |    |      |       |       |   |   |   |   |   |   |       |   |    |   |   |       |   |   |   |   |   |   |       |   |    |   |   |       |       |   |   |   |   |   |       |   |    |   |   |       |       |   |   |   |   |   |       |   |    |   |   |       |       |   |   |   |   |   |       |   |    |   |   |   |       |   |   |   |   |   |       |   |    |   |   |   |       |   |   |   |   |   |       |   |    |   |   |   |       |       |   |   |   |   |       |   |    |   |   |   |       |       |   |   |   |   |       |   |    |   |   |   |   |       |   |   |   |   |       |   |     |   |   |   |   |       |   |   |   |   |       |   |     |   |   |   |   |       |   |   |   |   |       |   |     |   |   |   |   |       |   |       |   |   |       |   |     |   |   |   |   |   |   |       |       |   |       |   |     |   |   |   |   |   |       |       |       |   |       |   |     |   |   |   |   |   |       |       |   |   |      |   |     |   |   |   |   |   |       |       |   |   |      |   |     |   |   |   |   |   |   |   |   |   |       |   |     |   |   |   |   |   |   |   |   |   |       |   |
| 110  | -     | -       | -     | -      | -     | -           | 117,0 | 111,0 | - | -     | -    |      |  |  |  |  |  |  |  |  |  |  |      |             |  |  |  |  |  |  |  |  |  |  |  |  |     |     |     |     |     |     |  |  |  |  |  |   |   |   |   |   |   |   |   |   |   |   |   |    |   |        |   |   |   |   |   |   |   |   |   |    |   |        |   |   |   |   |   |   |   |   |   |    |   |        |   |   |   |   |   |   |   |   |   |    |       |       |   |   |   |   |   |   |   |       |   |    |       |       |   |   |   |   |   |   |   |       |   |    |       |       |   |   |   |   |   |   |   |       |   |    |       |       |   |   |   |   |   |   |   |       |   |    |       |       |   |   |   |   |   |   |   |       |   |    |       |       |   |   |   |   |   |   |   |       |   |    |       |       |       |   |   |   |   |   |   |       |   |    |       |       |       |   |   |   |   |   |   |       |   |    |      |       |       |   |   |   |   |   |   |       |   |    |      |       |       |   |   |   |   |   |   |       |   |    |   |   |       |   |   |   |   |   |   |       |   |    |   |   |       |       |   |   |   |   |   |       |   |    |   |   |       |       |   |   |   |   |   |       |   |    |   |   |       |       |   |   |   |   |   |       |   |    |   |   |   |       |   |   |   |   |   |       |   |    |   |   |   |       |   |   |   |   |   |       |   |    |   |   |   |       |       |   |   |   |   |       |   |    |   |   |   |       |       |   |   |   |   |       |   |    |   |   |   |   |       |   |   |   |   |       |   |     |   |   |   |   |       |   |   |   |   |       |   |     |   |   |   |   |       |   |   |   |   |       |   |     |   |   |   |   |       |   |       |   |   |       |   |     |   |   |   |   |   |   |       |       |   |       |   |     |   |   |   |   |   |       |       |       |   |       |   |     |   |   |   |   |   |       |       |   |   |      |   |     |   |   |   |   |   |       |       |   |   |      |   |     |   |   |   |   |   |   |   |   |   |       |   |     |   |   |   |   |   |   |   |   |   |       |   |
| 111  | -     | -       | -     | -      | -     | -           | 115,0 | 107,6 | - | -     | -    |      |  |  |  |  |  |  |  |  |  |  |      |             |  |  |  |  |  |  |  |  |  |  |  |  |     |     |     |     |     |     |  |  |  |  |  |   |   |   |   |   |   |   |   |   |   |   |   |    |   |        |   |   |   |   |   |   |   |   |   |    |   |        |   |   |   |   |   |   |   |   |   |    |   |        |   |   |   |   |   |   |   |   |   |    |       |       |   |   |   |   |   |   |   |       |   |    |       |       |   |   |   |   |   |   |   |       |   |    |       |       |   |   |   |   |   |   |   |       |   |    |       |       |   |   |   |   |   |   |   |       |   |    |       |       |   |   |   |   |   |   |   |       |   |    |       |       |   |   |   |   |   |   |   |       |   |    |       |       |       |   |   |   |   |   |   |       |   |    |       |       |       |   |   |   |   |   |   |       |   |    |      |       |       |   |   |   |   |   |   |       |   |    |      |       |       |   |   |   |   |   |   |       |   |    |   |   |       |   |   |   |   |   |   |       |   |    |   |   |       |       |   |   |   |   |   |       |   |    |   |   |       |       |   |   |   |   |   |       |   |    |   |   |       |       |   |   |   |   |   |       |   |    |   |   |   |       |   |   |   |   |   |       |   |    |   |   |   |       |   |   |   |   |   |       |   |    |   |   |   |       |       |   |   |   |   |       |   |    |   |   |   |       |       |   |   |   |   |       |   |    |   |   |   |   |       |   |   |   |   |       |   |     |   |   |   |   |       |   |   |   |   |       |   |     |   |   |   |   |       |   |   |   |   |       |   |     |   |   |   |   |       |   |       |   |   |       |   |     |   |   |   |   |   |   |       |       |   |       |   |     |   |   |   |   |   |       |       |       |   |       |   |     |   |   |   |   |   |       |       |   |   |      |   |     |   |   |   |   |   |       |       |   |   |      |   |     |   |   |   |   |   |   |   |   |   |       |   |     |   |   |   |   |   |   |   |   |   |       |   |
| 114  | -     | -       | -     | -      | -     | -           | -     | -     | - | 97,5  | -    |      |  |  |  |  |  |  |  |  |  |  |      |             |  |  |  |  |  |  |  |  |  |  |  |  |     |     |     |     |     |     |  |  |  |  |  |   |   |   |   |   |   |   |   |   |   |   |   |    |   |        |   |   |   |   |   |   |   |   |   |    |   |        |   |   |   |   |   |   |   |   |   |    |   |        |   |   |   |   |   |   |   |   |   |    |       |       |   |   |   |   |   |   |   |       |   |    |       |       |   |   |   |   |   |   |   |       |   |    |       |       |   |   |   |   |   |   |   |       |   |    |       |       |   |   |   |   |   |   |   |       |   |    |       |       |   |   |   |   |   |   |   |       |   |    |       |       |   |   |   |   |   |   |   |       |   |    |       |       |       |   |   |   |   |   |   |       |   |    |       |       |       |   |   |   |   |   |   |       |   |    |      |       |       |   |   |   |   |   |   |       |   |    |      |       |       |   |   |   |   |   |   |       |   |    |   |   |       |   |   |   |   |   |   |       |   |    |   |   |       |       |   |   |   |   |   |       |   |    |   |   |       |       |   |   |   |   |   |       |   |    |   |   |       |       |   |   |   |   |   |       |   |    |   |   |   |       |   |   |   |   |   |       |   |    |   |   |   |       |   |   |   |   |   |       |   |    |   |   |   |       |       |   |   |   |   |       |   |    |   |   |   |       |       |   |   |   |   |       |   |    |   |   |   |   |       |   |   |   |   |       |   |     |   |   |   |   |       |   |   |   |   |       |   |     |   |   |   |   |       |   |   |   |   |       |   |     |   |   |   |   |       |   |       |   |   |       |   |     |   |   |   |   |   |   |       |       |   |       |   |     |   |   |   |   |   |       |       |       |   |       |   |     |   |   |   |   |   |       |       |   |   |      |   |     |   |   |   |   |   |       |       |   |   |      |   |     |   |   |   |   |   |   |   |   |   |       |   |     |   |   |   |   |   |   |   |   |   |       |   |
| 118  | -     | -       | -     | -      | -     | -           | -     | -     | - | 89,5  | -    |      |  |  |  |  |  |  |  |  |  |  |      |             |  |  |  |  |  |  |  |  |  |  |  |  |     |     |     |     |     |     |  |  |  |  |  |   |   |   |   |   |   |   |   |   |   |   |   |    |   |        |   |   |   |   |   |   |   |   |   |    |   |        |   |   |   |   |   |   |   |   |   |    |   |        |   |   |   |   |   |   |   |   |   |    |       |       |   |   |   |   |   |   |   |       |   |    |       |       |   |   |   |   |   |   |   |       |   |    |       |       |   |   |   |   |   |   |   |       |   |    |       |       |   |   |   |   |   |   |   |       |   |    |       |       |   |   |   |   |   |   |   |       |   |    |       |       |   |   |   |   |   |   |   |       |   |    |       |       |       |   |   |   |   |   |   |       |   |    |       |       |       |   |   |   |   |   |   |       |   |    |      |       |       |   |   |   |   |   |   |       |   |    |      |       |       |   |   |   |   |   |   |       |   |    |   |   |       |   |   |   |   |   |   |       |   |    |   |   |       |       |   |   |   |   |   |       |   |    |   |   |       |       |   |   |   |   |   |       |   |    |   |   |       |       |   |   |   |   |   |       |   |    |   |   |   |       |   |   |   |   |   |       |   |    |   |   |   |       |   |   |   |   |   |       |   |    |   |   |   |       |       |   |   |   |   |       |   |    |   |   |   |       |       |   |   |   |   |       |   |    |   |   |   |   |       |   |   |   |   |       |   |     |   |   |   |   |       |   |   |   |   |       |   |     |   |   |   |   |       |   |   |   |   |       |   |     |   |   |   |   |       |   |       |   |   |       |   |     |   |   |   |   |   |   |       |       |   |       |   |     |   |   |   |   |   |       |       |       |   |       |   |     |   |   |   |   |   |       |       |   |   |      |   |     |   |   |   |   |   |       |       |   |   |      |   |     |   |   |   |   |   |   |   |   |   |       |   |     |   |   |   |   |   |   |   |   |   |       |   |

6 m steps of luffing jib is standard · 6 m Stufung der Wippe ist Standard · Des paliers de 6 m sont de série pour la fléchette

Main boom angle 88°, 85°, 75°, 65°, 55° and 45°; capacities for intermediate boom positions are calculated by the crane control system IC-1  
 Hauptauslegerwinkel 88°, 85°, 75°, 65°, 55° und 45°; Traglasten für Zwischenstellungen des Hauptauslegers werden von der Kransteuerung IC-1 berechnet

Jarret de flèche principale 88°, 85°, 75°, 65°, 55° et 45° ; le système de commande de la grue IC-1 calcule les charges pour les positions intermédiaires de la flèche

\* Main boom angle 88° · Hauptauslegerwinkel 88° · Jarret de flèche principale 88°

| 295 t + 60 t ZB   |       | 19-30 m |       | 10,5 m |       | 9.8 m/s     |   | 360° |      | ISO   |      |      |  |  |  |  |  |  |  |  |  |  |      |             |  |  |  |  |  |  |  |  |  |  |  |                         |  |  |  |  |  |  |  |  |  |  |  |   |   |   |   |   |   |   |   |   |   |   |   |    |   |        |   |   |   |   |   |   |   |   |   |    |   |        |   |   |   |   |   |   |   |   |   |    |       |       |   |   |   |   |   |   |   |       |   |    |       |       |   |   |   |   |   |   |   |       |   |    |       |       |   |   |   |   |   |   |   |       |   |    |       |       |   |   |   |   |   |   |   |       |   |    |      |       |   |   |   |   |   |   |   |       |   |    |      |       |   |   |   |   |   |   |   |       |   |    |      |       |       |   |   |   |   |   |   |       |   |    |      |       |       |   |   |   |   |   |   |       |   |    |      |       |       |   |   |   |   |   |   |       |   |    |      |       |       |   |   |   |   |   |   |       |   |    |      |       |       |   |   |   |   |   |   |       |   |    |      |       |       |   |   |   |   |   |   |       |   |    |      |       |       |   |   |   |   |   |   |       |   |    |   |   |       |       |   |   |   |   |   |       |   |    |   |   |       |       |   |   |   |   |   |       |   |    |   |   |       |       |   |   |   |   |   |       |   |     |   |   |       |       |   |   |   |   |   |       |   |     |   |   |   |       |   |   |   |   |   |       |   |     |   |   |   |       |       |   |   |   |   |       |   |     |   |   |   |       |       |   |   |   |   |       |   |     |   |   |   |       |       |   |   |   |   |       |   |     |   |   |   |   |       |   |   |   |   |       |   |     |   |   |   |   |       |   |   |   |   |       |   |     |   |   |   |   |       |   |   |   |      |      |   |     |   |   |   |   |   |   |   |   |      |      |   |     |   |   |   |   |   |   |   |   |      |      |   |     |   |   |   |   |   |   |   |   |      |      |   |     |   |   |   |   |   |   |   |   |   |      |   |     |   |   |   |   |   |   |   |   |   |      |   |
|---|-------|---------|-------|--------|-------|-------------|---|------|------|-------|------|------|--|--|--|--|--|--|--|--|--|--|------|-------------|--|--|--|--|--|--|--|--|--|--|--|-------------------------|--|--|--|--|--|--|--|--|--|--|--|---|---|---|---|---|---|---|---|---|---|---|---|----|---|--------|---|---|---|---|---|---|---|---|---|----|---|--------|---|---|---|---|---|---|---|---|---|----|-------|-------|---|---|---|---|---|---|---|-------|---|----|-------|-------|---|---|---|---|---|---|---|-------|---|----|-------|-------|---|---|---|---|---|---|---|-------|---|----|-------|-------|---|---|---|---|---|---|---|-------|---|----|------|-------|---|---|---|---|---|---|---|-------|---|----|------|-------|---|---|---|---|---|---|---|-------|---|----|------|-------|-------|---|---|---|---|---|---|-------|---|----|------|-------|-------|---|---|---|---|---|---|-------|---|----|------|-------|-------|---|---|---|---|---|---|-------|---|----|------|-------|-------|---|---|---|---|---|---|-------|---|----|------|-------|-------|---|---|---|---|---|---|-------|---|----|------|-------|-------|---|---|---|---|---|---|-------|---|----|------|-------|-------|---|---|---|---|---|---|-------|---|----|---|---|-------|-------|---|---|---|---|---|-------|---|----|---|---|-------|-------|---|---|---|---|---|-------|---|----|---|---|-------|-------|---|---|---|---|---|-------|---|-----|---|---|-------|-------|---|---|---|---|---|-------|---|-----|---|---|---|-------|---|---|---|---|---|-------|---|-----|---|---|---|-------|-------|---|---|---|---|-------|---|-----|---|---|---|-------|-------|---|---|---|---|-------|---|-----|---|---|---|-------|-------|---|---|---|---|-------|---|-----|---|---|---|---|-------|---|---|---|---|-------|---|-----|---|---|---|---|-------|---|---|---|---|-------|---|-----|---|---|---|---|-------|---|---|---|------|------|---|-----|---|---|---|---|---|---|---|---|------|------|---|-----|---|---|---|---|---|---|---|---|------|------|---|-----|---|---|---|---|---|---|---|---|------|------|---|-----|---|---|---|---|---|---|---|---|---|------|---|-----|---|---|---|---|---|---|---|---|---|------|---|
| 72 m + 72 m   |       |         |       |        |       | 72 m + 84 m |   |      |      |       |      |      |  |  |  |  |  |  |  |  |  |  |      |             |  |  |  |  |  |  |  |  |  |  |  |                         |  |  |  |  |  |  |  |  |  |  |  |   |   |   |   |   |   |   |   |   |   |   |   |    |   |        |   |   |   |   |   |   |   |   |   |    |   |        |   |   |   |   |   |   |   |   |   |    |       |       |   |   |   |   |   |   |   |       |   |    |       |       |   |   |   |   |   |   |   |       |   |    |       |       |   |   |   |   |   |   |   |       |   |    |       |       |   |   |   |   |   |   |   |       |   |    |      |       |   |   |   |   |   |   |   |       |   |    |      |       |   |   |   |   |   |   |   |       |   |    |      |       |       |   |   |   |   |   |   |       |   |    |      |       |       |   |   |   |   |   |   |       |   |    |      |       |       |   |   |   |   |   |   |       |   |    |      |       |       |   |   |   |   |   |   |       |   |    |      |       |       |   |   |   |   |   |   |       |   |    |      |       |       |   |   |   |   |   |   |       |   |    |      |       |       |   |   |   |   |   |   |       |   |    |   |   |       |       |   |   |   |   |   |       |   |    |   |   |       |       |   |   |   |   |   |       |   |    |   |   |       |       |   |   |   |   |   |       |   |     |   |   |       |       |   |   |   |   |   |       |   |     |   |   |   |       |   |   |   |   |   |       |   |     |   |   |   |       |       |   |   |   |   |       |   |     |   |   |   |       |       |   |   |   |   |       |   |     |   |   |   |       |       |   |   |   |   |       |   |     |   |   |   |   |       |   |   |   |   |       |   |     |   |   |   |   |       |   |   |   |   |       |   |     |   |   |   |   |       |   |   |   |      |      |   |     |   |   |   |   |   |   |   |   |      |      |   |     |   |   |   |   |   |   |   |   |      |      |   |     |   |   |   |   |   |   |   |   |      |      |   |     |   |   |   |   |   |   |   |   |   |      |   |     |   |   |   |   |   |   |   |   |   |      |   |
| <table border="1"> <thead> <tr> <th colspan="11">SWSL</th> <th>SFSL</th> </tr> <tr> <th colspan="12">0 t - 640 t</th> </tr> <tr> <th colspan="12">85° 85° 75° 65° 55° 45°</th> </tr> <tr> <th>m</th> <th>t</th> <th>t</th> <th>t</th> <th>t</th> <th>t</th> <th>t</th> <th>t</th> <th>t</th> <th>t</th> <th>t</th> <th>t</th> </tr> </thead> <tbody> <tr><td>30</td><td>-</td><td>257,0*</td><td>-</td><td>-</td><td>-</td><td>-</td><td>-</td><td>-</td><td>-</td><td>-</td><td>-</td></tr> <tr><td>34</td><td>-</td><td>249,0*</td><td>-</td><td>-</td><td>-</td><td>-</td><td>-</td><td>-</td><td>-</td><td>-</td><td>-</td></tr> <tr><td>36</td><td>140,0</td><td>266,0</td><td>-</td><td>-</td><td>-</td><td>-</td><td>-</td><td>-</td><td>-</td><td>260,0</td><td>-</td></tr> <tr><td>38</td><td>131,0</td><td>266,0</td><td>-</td><td>-</td><td>-</td><td>-</td><td>-</td><td>-</td><td>-</td><td>260,0</td><td>-</td></tr> <tr><td>42</td><td>117,0</td><td>261,0</td><td>-</td><td>-</td><td>-</td><td>-</td><td>-</td><td>-</td><td>-</td><td>260,0</td><td>-</td></tr> <tr><td>46</td><td>104,0</td><td>256,0</td><td>-</td><td>-</td><td>-</td><td>-</td><td>-</td><td>-</td><td>-</td><td>260,0</td><td>-</td></tr> <tr><td>50</td><td>94,0</td><td>250,0</td><td>-</td><td>-</td><td>-</td><td>-</td><td>-</td><td>-</td><td>-</td><td>260,0</td><td>-</td></tr> <tr><td>54</td><td>84,5</td><td>244,0</td><td>-</td><td>-</td><td>-</td><td>-</td><td>-</td><td>-</td><td>-</td><td>260,0</td><td>-</td></tr> <tr><td>58</td><td>76,5</td><td>238,0</td><td>-</td><td>-</td><td>-</td><td>-</td><td>-</td><td>-</td><td>-</td><td>256,0</td><td>-</td></tr> <tr><td>60</td><td>73,0</td><td>235,0</td><td>272,0</td><td>-</td><td>-</td><td>-</td><td>-</td><td>-</td><td>-</td><td>252,5</td><td>-</td></tr> <tr><td>62</td><td>69,5</td><td>224,0</td><td>272,0</td><td>-</td><td>-</td><td>-</td><td>-</td><td>-</td><td>-</td><td>249,0</td><td>-</td></tr> <tr><td>66</td><td>63,0</td><td>204,0</td><td>269,0</td><td>-</td><td>-</td><td>-</td><td>-</td><td>-</td><td>-</td><td>242,0</td><td>-</td></tr> <tr><td>70</td><td>56,5</td><td>186,0</td><td>251,0</td><td>-</td><td>-</td><td>-</td><td>-</td><td>-</td><td>-</td><td>234,0</td><td>-</td></tr> <tr><td>74</td><td>50,5</td><td>166,0</td><td>227,0</td><td>-</td><td>-</td><td>-</td><td>-</td><td>-</td><td>-</td><td>228,0</td><td>-</td></tr> <tr><td>78</td><td>45,6</td><td>143,0</td><td>206,0</td><td>-</td><td>-</td><td>-</td><td>-</td><td>-</td><td>-</td><td>221,0</td><td>-</td></tr> <tr><td>82</td><td>-</td><td>-</td><td>188,0</td><td>217,0</td><td>-</td><td>-</td><td>-</td><td>-</td><td>-</td><td>215,0</td><td>-</td></tr> <tr><td>86</td><td>-</td><td>-</td><td>172,0</td><td>204,0</td><td>-</td><td>-</td><td>-</td><td>-</td><td>-</td><td>199,0</td><td>-</td></tr> <tr><td>90</td><td>-</td><td>-</td><td>157,0</td><td>193,0</td><td>-</td><td>-</td><td>-</td><td>-</td><td>-</td><td>185,0</td><td>-</td></tr> <tr><td>94</td><td>-</td><td>-</td><td>-</td><td>183,0</td><td>-</td><td>-</td><td>-</td><td>-</td><td>-</td><td>172,0</td><td>-</td></tr> <tr><td>98</td><td>-</td><td>-</td><td>-</td><td>172,0</td><td>-</td><td>-</td><td>-</td><td>-</td><td>-</td><td>160,0</td><td>-</td></tr> <tr><td>102</td><td>-</td><td>-</td><td>-</td><td>158,0</td><td>151,0</td><td>-</td><td>-</td><td>-</td><td>-</td><td>149,0</td><td>-</td></tr> <tr><td>106</td><td>-</td><td>-</td><td>-</td><td>-</td><td>144,0</td><td>-</td><td>-</td><td>-</td><td>-</td><td>137,0</td><td>-</td></tr> <tr><td>110</td><td>-</td><td>-</td><td>-</td><td>-</td><td>137,0</td><td>-</td><td>-</td><td>-</td><td>-</td><td>123,0</td><td>-</td></tr> <tr><td>112</td><td>-</td><td>-</td><td>-</td><td>-</td><td>133,0</td><td>-</td><td>-</td><td>-</td><td>-</td><td>116,5</td><td>-</td></tr> <tr><td>114</td><td>-</td><td>-</td><td>-</td><td>-</td><td>-</td><td>-</td><td>-</td><td>-</td><td>-</td><td>110,0</td><td>-</td></tr> <tr><td>118</td><td>-</td><td>-</td><td>-</td><td>-</td><td>-</td><td>-</td><td>-</td><td>-</td><td>99,5</td><td>98,5</td><td>-</td></tr> <tr><td>122</td><td>-</td><td>-</td><td>-</td><td>-</td><td>-</td><td>-</td><td>-</td><td>-</td><td>94,5</td><td>86,5</td><td>-</td></tr> <tr><td>126</td><td>-</td><td>-</td><td>-</td><td>-</td><td>-</td><td>-</td><td>-</td><td>-</td><td>-</td><td>77,5</td><td>-</td></tr> <tr><td>130</td><td>-</td><td>-</td><td>-</td><td>-</td><td>-</td><td>-</td><td>-</td><td>-</td><td>-</td><td>71,0</td><td>-</td></tr> </tbody> </table>   |       |         |       |        |       |             |   |      |      |       |      | SWSL |  |  |  |  |  |  |  |  |  |  | SFSL | 0 t - 640 t |  |  |  |  |  |  |  |  |  |  |  | 85° 85° 75° 65° 55° 45° |  |  |  |  |  |  |  |  |  |  |  | m | t | t | t | t | t | t | t | t | t | t | t | 30 | - | 257,0* | - | - | - | - | - | - | - | - | - | 34 | - | 249,0* | - | - | - | - | - | - | - | - | - | 36 | 140,0 | 266,0 | - | - | - | - | - | - | - | 260,0 | - | 38 | 131,0 | 266,0 | - | - | - | - | - | - | - | 260,0 | - | 42 | 117,0 | 261,0 | - | - | - | - | - | - | - | 260,0 | - | 46 | 104,0 | 256,0 | - | - | - | - | - | - | - | 260,0 | - | 50 | 94,0 | 250,0 | - | - | - | - | - | - | - | 260,0 | - | 54 | 84,5 | 244,0 | - | - | - | - | - | - | - | 260,0 | - | 58 | 76,5 | 238,0 | -     | - | - | - | - | - | - | 256,0 | - | 60 | 73,0 | 235,0 | 272,0 | - | - | - | - | - | - | 252,5 | - | 62 | 69,5 | 224,0 | 272,0 | - | - | - | - | - | - | 249,0 | - | 66 | 63,0 | 204,0 | 269,0 | - | - | - | - | - | - | 242,0 | - | 70 | 56,5 | 186,0 | 251,0 | - | - | - | - | - | - | 234,0 | - | 74 | 50,5 | 166,0 | 227,0 | - | - | - | - | - | - | 228,0 | - | 78 | 45,6 | 143,0 | 206,0 | - | - | - | - | - | - | 221,0 | - | 82 | - | - | 188,0 | 217,0 | - | - | - | - | - | 215,0 | - | 86 | - | - | 172,0 | 204,0 | - | - | - | - | - | 199,0 | - | 90 | - | - | 157,0 | 193,0 | - | - | - | - | - | 185,0 | - | 94  | - | - | -     | 183,0 | - | - | - | - | - | 172,0 | - | 98  | - | - | - | 172,0 | - | - | - | - | - | 160,0 | - | 102 | - | - | - | 158,0 | 151,0 | - | - | - | - | 149,0 | - | 106 | - | - | - | -     | 144,0 | - | - | - | - | 137,0 | - | 110 | - | - | - | -     | 137,0 | - | - | - | - | 123,0 | - | 112 | - | - | - | - | 133,0 | - | - | - | - | 116,5 | - | 114 | - | - | - | - | -     | - | - | - | - | 110,0 | - | 118 | - | - | - | - | -     | - | - | - | 99,5 | 98,5 | - | 122 | - | - | - | - | - | - | - | - | 94,5 | 86,5 | - | 126 | - | - | - | - | - | - | - | - | -    | 77,5 | - | 130 | - | - | - | - | - | - | - | - | -    | 71,0 | - |     |   |   |   |   |   |   |   |   |   |      |   |     |   |   |   |   |   |   |   |   |   |      |   |
| SWSL  |       |         |       |        |       |             |   |      |      |       | SFSL |      |  |  |  |  |  |  |  |  |  |  |      |             |  |  |  |  |  |  |  |  |  |  |  |                         |  |  |  |  |  |  |  |  |  |  |  |   |   |   |   |   |   |   |   |   |   |   |   |    |   |        |   |   |   |   |   |   |   |   |   |    |   |        |   |   |   |   |   |   |   |   |   |    |       |       |   |   |   |   |   |   |   |       |   |    |       |       |   |   |   |   |   |   |   |       |   |    |       |       |   |   |   |   |   |   |   |       |   |    |       |       |   |   |   |   |   |   |   |       |   |    |      |       |   |   |   |   |   |   |   |       |   |    |      |       |   |   |   |   |   |   |   |       |   |    |      |       |       |   |   |   |   |   |   |       |   |    |      |       |       |   |   |   |   |   |   |       |   |    |      |       |       |   |   |   |   |   |   |       |   |    |      |       |       |   |   |   |   |   |   |       |   |    |      |       |       |   |   |   |   |   |   |       |   |    |      |       |       |   |   |   |   |   |   |       |   |    |      |       |       |   |   |   |   |   |   |       |   |    |   |   |       |       |   |   |   |   |   |       |   |    |   |   |       |       |   |   |   |   |   |       |   |    |   |   |       |       |   |   |   |   |   |       |   |     |   |   |       |       |   |   |   |   |   |       |   |     |   |   |   |       |   |   |   |   |   |       |   |     |   |   |   |       |       |   |   |   |   |       |   |     |   |   |   |       |       |   |   |   |   |       |   |     |   |   |   |       |       |   |   |   |   |       |   |     |   |   |   |   |       |   |   |   |   |       |   |     |   |   |   |   |       |   |   |   |   |       |   |     |   |   |   |   |       |   |   |   |      |      |   |     |   |   |   |   |   |   |   |   |      |      |   |     |   |   |   |   |   |   |   |   |      |      |   |     |   |   |   |   |   |   |   |   |      |      |   |     |   |   |   |   |   |   |   |   |   |      |   |     |   |   |   |   |   |   |   |   |   |      |   |
| 0 t - 640 t   |       |         |       |        |       |             |   |      |      |       |      |      |  |  |  |  |  |  |  |  |  |  |      |             |  |  |  |  |  |  |  |  |  |  |  |                         |  |  |  |  |  |  |  |  |  |  |  |   |   |   |   |   |   |   |   |   |   |   |   |    |   |        |   |   |   |   |   |   |   |   |   |    |   |        |   |   |   |   |   |   |   |   |   |    |       |       |   |   |   |   |   |   |   |       |   |    |       |       |   |   |   |   |   |   |   |       |   |    |       |       |   |   |   |   |   |   |   |       |   |    |       |       |   |   |   |   |   |   |   |       |   |    |      |       |   |   |   |   |   |   |   |       |   |    |      |       |   |   |   |   |   |   |   |       |   |    |      |       |       |   |   |   |   |   |   |       |   |    |      |       |       |   |   |   |   |   |   |       |   |    |      |       |       |   |   |   |   |   |   |       |   |    |      |       |       |   |   |   |   |   |   |       |   |    |      |       |       |   |   |   |   |   |   |       |   |    |      |       |       |   |   |   |   |   |   |       |   |    |      |       |       |   |   |   |   |   |   |       |   |    |   |   |       |       |   |   |   |   |   |       |   |    |   |   |       |       |   |   |   |   |   |       |   |    |   |   |       |       |   |   |   |   |   |       |   |     |   |   |       |       |   |   |   |   |   |       |   |     |   |   |   |       |   |   |   |   |   |       |   |     |   |   |   |       |       |   |   |   |   |       |   |     |   |   |   |       |       |   |   |   |   |       |   |     |   |   |   |       |       |   |   |   |   |       |   |     |   |   |   |   |       |   |   |   |   |       |   |     |   |   |   |   |       |   |   |   |   |       |   |     |   |   |   |   |       |   |   |   |      |      |   |     |   |   |   |   |   |   |   |   |      |      |   |     |   |   |   |   |   |   |   |   |      |      |   |     |   |   |   |   |   |   |   |   |      |      |   |     |   |   |   |   |   |   |   |   |   |      |   |     |   |   |   |   |   |   |   |   |   |      |   |
| 85° 85° 75° 65° 55° 45°   |       |         |       |        |       |             |   |      |      |       |      |      |  |  |  |  |  |  |  |  |  |  |      |             |  |  |  |  |  |  |  |  |  |  |  |                         |  |  |  |  |  |  |  |  |  |  |  |   |   |   |   |   |   |   |   |   |   |   |   |    |   |        |   |   |   |   |   |   |   |   |   |    |   |        |   |   |   |   |   |   |   |   |   |    |       |       |   |   |   |   |   |   |   |       |   |    |       |       |   |   |   |   |   |   |   |       |   |    |       |       |   |   |   |   |   |   |   |       |   |    |       |       |   |   |   |   |   |   |   |       |   |    |      |       |   |   |   |   |   |   |   |       |   |    |      |       |   |   |   |   |   |   |   |       |   |    |      |       |       |   |   |   |   |   |   |       |   |    |      |       |       |   |   |   |   |   |   |       |   |    |      |       |       |   |   |   |   |   |   |       |   |    |      |       |       |   |   |   |   |   |   |       |   |    |      |       |       |   |   |   |   |   |   |       |   |    |      |       |       |   |   |   |   |   |   |       |   |    |      |       |       |   |   |   |   |   |   |       |   |    |   |   |       |       |   |   |   |   |   |       |   |    |   |   |       |       |   |   |   |   |   |       |   |    |   |   |       |       |   |   |   |   |   |       |   |     |   |   |       |       |   |   |   |   |   |       |   |     |   |   |   |       |   |   |   |   |   |       |   |     |   |   |   |       |       |   |   |   |   |       |   |     |   |   |   |       |       |   |   |   |   |       |   |     |   |   |   |       |       |   |   |   |   |       |   |     |   |   |   |   |       |   |   |   |   |       |   |     |   |   |   |   |       |   |   |   |   |       |   |     |   |   |   |   |       |   |   |   |      |      |   |     |   |   |   |   |   |   |   |   |      |      |   |     |   |   |   |   |   |   |   |   |      |      |   |     |   |   |   |   |   |   |   |   |      |      |   |     |   |   |   |   |   |   |   |   |   |      |   |     |   |   |   |   |   |   |   |   |   |      |   |
| m   | t     | t       | t     | t      | t     | t           | t | t    | t    | t     | t    |      |  |  |  |  |  |  |  |  |  |  |      |             |  |  |  |  |  |  |  |  |  |  |  |                         |  |  |  |  |  |  |  |  |  |  |  |   |   |   |   |   |   |   |   |   |   |   |   |    |   |        |   |   |   |   |   |   |   |   |   |    |   |        |   |   |   |   |   |   |   |   |   |    |       |       |   |   |   |   |   |   |   |       |   |    |       |       |   |   |   |   |   |   |   |       |   |    |       |       |   |   |   |   |   |   |   |       |   |    |       |       |   |   |   |   |   |   |   |       |   |    |      |       |   |   |   |   |   |   |   |       |   |    |      |       |   |   |   |   |   |   |   |       |   |    |      |       |       |   |   |   |   |   |   |       |   |    |      |       |       |   |   |   |   |   |   |       |   |    |      |       |       |   |   |   |   |   |   |       |   |    |      |       |       |   |   |   |   |   |   |       |   |    |      |       |       |   |   |   |   |   |   |       |   |    |      |       |       |   |   |   |   |   |   |       |   |    |      |       |       |   |   |   |   |   |   |       |   |    |   |   |       |       |   |   |   |   |   |       |   |    |   |   |       |       |   |   |   |   |   |       |   |    |   |   |       |       |   |   |   |   |   |       |   |     |   |   |       |       |   |   |   |   |   |       |   |     |   |   |   |       |   |   |   |   |   |       |   |     |   |   |   |       |       |   |   |   |   |       |   |     |   |   |   |       |       |   |   |   |   |       |   |     |   |   |   |       |       |   |   |   |   |       |   |     |   |   |   |   |       |   |   |   |   |       |   |     |   |   |   |   |       |   |   |   |   |       |   |     |   |   |   |   |       |   |   |   |      |      |   |     |   |   |   |   |   |   |   |   |      |      |   |     |   |   |   |   |   |   |   |   |      |      |   |     |   |   |   |   |   |   |   |   |      |      |   |     |   |   |   |   |   |   |   |   |   |      |   |     |   |   |   |   |   |   |   |   |   |      |   |
| 30  | -     | 257,0*  | -     | -      | -     | -           | - | -    | -    | -     | -    |      |  |  |  |  |  |  |  |  |  |  |      |             |  |  |  |  |  |  |  |  |  |  |  |                         |  |  |  |  |  |  |  |  |  |  |  |   |   |   |   |   |   |   |   |   |   |   |   |    |   |        |   |   |   |   |   |   |   |   |   |    |   |        |   |   |   |   |   |   |   |   |   |    |       |       |   |   |   |   |   |   |   |       |   |    |       |       |   |   |   |   |   |   |   |       |   |    |       |       |   |   |   |   |   |   |   |       |   |    |       |       |   |   |   |   |   |   |   |       |   |    |      |       |   |   |   |   |   |   |   |       |   |    |      |       |   |   |   |   |   |   |   |       |   |    |      |       |       |   |   |   |   |   |   |       |   |    |      |       |       |   |   |   |   |   |   |       |   |    |      |       |       |   |   |   |   |   |   |       |   |    |      |       |       |   |   |   |   |   |   |       |   |    |      |       |       |   |   |   |   |   |   |       |   |    |      |       |       |   |   |   |   |   |   |       |   |    |      |       |       |   |   |   |   |   |   |       |   |    |   |   |       |       |   |   |   |   |   |       |   |    |   |   |       |       |   |   |   |   |   |       |   |    |   |   |       |       |   |   |   |   |   |       |   |     |   |   |       |       |   |   |   |   |   |       |   |     |   |   |   |       |   |   |   |   |   |       |   |     |   |   |   |       |       |   |   |   |   |       |   |     |   |   |   |       |       |   |   |   |   |       |   |     |   |   |   |       |       |   |   |   |   |       |   |     |   |   |   |   |       |   |   |   |   |       |   |     |   |   |   |   |       |   |   |   |   |       |   |     |   |   |   |   |       |   |   |   |      |      |   |     |   |   |   |   |   |   |   |   |      |      |   |     |   |   |   |   |   |   |   |   |      |      |   |     |   |   |   |   |   |   |   |   |      |      |   |     |   |   |   |   |   |   |   |   |   |      |   |     |   |   |   |   |   |   |   |   |   |      |   |
| 34  | -     | 249,0*  | -     | -      | -     | -           | - | -    | -    | -     | -    |      |  |  |  |  |  |  |  |  |  |  |      |             |  |  |  |  |  |  |  |  |  |  |  |                         |  |  |  |  |  |  |  |  |  |  |  |   |   |   |   |   |   |   |   |   |   |   |   |    |   |        |   |   |   |   |   |   |   |   |   |    |   |        |   |   |   |   |   |   |   |   |   |    |       |       |   |   |   |   |   |   |   |       |   |    |       |       |   |   |   |   |   |   |   |       |   |    |       |       |   |   |   |   |   |   |   |       |   |    |       |       |   |   |   |   |   |   |   |       |   |    |      |       |   |   |   |   |   |   |   |       |   |    |      |       |   |   |   |   |   |   |   |       |   |    |      |       |       |   |   |   |   |   |   |       |   |    |      |       |       |   |   |   |   |   |   |       |   |    |      |       |       |   |   |   |   |   |   |       |   |    |      |       |       |   |   |   |   |   |   |       |   |    |      |       |       |   |   |   |   |   |   |       |   |    |      |       |       |   |   |   |   |   |   |       |   |    |      |       |       |   |   |   |   |   |   |       |   |    |   |   |       |       |   |   |   |   |   |       |   |    |   |   |       |       |   |   |   |   |   |       |   |    |   |   |       |       |   |   |   |   |   |       |   |     |   |   |       |       |   |   |   |   |   |       |   |     |   |   |   |       |   |   |   |   |   |       |   |     |   |   |   |       |       |   |   |   |   |       |   |     |   |   |   |       |       |   |   |   |   |       |   |     |   |   |   |       |       |   |   |   |   |       |   |     |   |   |   |   |       |   |   |   |   |       |   |     |   |   |   |   |       |   |   |   |   |       |   |     |   |   |   |   |       |   |   |   |      |      |   |     |   |   |   |   |   |   |   |   |      |      |   |     |   |   |   |   |   |   |   |   |      |      |   |     |   |   |   |   |   |   |   |   |      |      |   |     |   |   |   |   |   |   |   |   |   |      |   |     |   |   |   |   |   |   |   |   |   |      |   |
| 36  | 140,0 | 266,0   | -     | -      | -     | -           | - | -    | -    | 260,0 | -    |      |  |  |  |  |  |  |  |  |  |  |      |             |  |  |  |  |  |  |  |  |  |  |  |                         |  |  |  |  |  |  |  |  |  |  |  |   |   |   |   |   |   |   |   |   |   |   |   |    |   |        |   |   |   |   |   |   |   |   |   |    |   |        |   |   |   |   |   |   |   |   |   |    |       |       |   |   |   |   |   |   |   |       |   |    |       |       |   |   |   |   |   |   |   |       |   |    |       |       |   |   |   |   |   |   |   |       |   |    |       |       |   |   |   |   |   |   |   |       |   |    |      |       |   |   |   |   |   |   |   |       |   |    |      |       |   |   |   |   |   |   |   |       |   |    |      |       |       |   |   |   |   |   |   |       |   |    |      |       |       |   |   |   |   |   |   |       |   |    |      |       |       |   |   |   |   |   |   |       |   |    |      |       |       |   |   |   |   |   |   |       |   |    |      |       |       |   |   |   |   |   |   |       |   |    |      |       |       |   |   |   |   |   |   |       |   |    |      |       |       |   |   |   |   |   |   |       |   |    |   |   |       |       |   |   |   |   |   |       |   |    |   |   |       |       |   |   |   |   |   |       |   |    |   |   |       |       |   |   |   |   |   |       |   |     |   |   |       |       |   |   |   |   |   |       |   |     |   |   |   |       |   |   |   |   |   |       |   |     |   |   |   |       |       |   |   |   |   |       |   |     |   |   |   |       |       |   |   |   |   |       |   |     |   |   |   |       |       |   |   |   |   |       |   |     |   |   |   |   |       |   |   |   |   |       |   |     |   |   |   |   |       |   |   |   |   |       |   |     |   |   |   |   |       |   |   |   |      |      |   |     |   |   |   |   |   |   |   |   |      |      |   |     |   |   |   |   |   |   |   |   |      |      |   |     |   |   |   |   |   |   |   |   |      |      |   |     |   |   |   |   |   |   |   |   |   |      |   |     |   |   |   |   |   |   |   |   |   |      |   |
| 38  | 131,0 | 266,0   | -     | -      | -     | -           | - | -    | -    | 260,0 | -    |      |  |  |  |  |  |  |  |  |  |  |      |             |  |  |  |  |  |  |  |  |  |  |  |                         |  |  |  |  |  |  |  |  |  |  |  |   |   |   |   |   |   |   |   |   |   |   |   |    |   |        |   |   |   |   |   |   |   |   |   |    |   |        |   |   |   |   |   |   |   |   |   |    |       |       |   |   |   |   |   |   |   |       |   |    |       |       |   |   |   |   |   |   |   |       |   |    |       |       |   |   |   |   |   |   |   |       |   |    |       |       |   |   |   |   |   |   |   |       |   |    |      |       |   |   |   |   |   |   |   |       |   |    |      |       |   |   |   |   |   |   |   |       |   |    |      |       |       |   |   |   |   |   |   |       |   |    |      |       |       |   |   |   |   |   |   |       |   |    |      |       |       |   |   |   |   |   |   |       |   |    |      |       |       |   |   |   |   |   |   |       |   |    |      |       |       |   |   |   |   |   |   |       |   |    |      |       |       |   |   |   |   |   |   |       |   |    |      |       |       |   |   |   |   |   |   |       |   |    |   |   |       |       |   |   |   |   |   |       |   |    |   |   |       |       |   |   |   |   |   |       |   |    |   |   |       |       |   |   |   |   |   |       |   |     |   |   |       |       |   |   |   |   |   |       |   |     |   |   |   |       |   |   |   |   |   |       |   |     |   |   |   |       |       |   |   |   |   |       |   |     |   |   |   |       |       |   |   |   |   |       |   |     |   |   |   |       |       |   |   |   |   |       |   |     |   |   |   |   |       |   |   |   |   |       |   |     |   |   |   |   |       |   |   |   |   |       |   |     |   |   |   |   |       |   |   |   |      |      |   |     |   |   |   |   |   |   |   |   |      |      |   |     |   |   |   |   |   |   |   |   |      |      |   |     |   |   |   |   |   |   |   |   |      |      |   |     |   |   |   |   |   |   |   |   |   |      |   |     |   |   |   |   |   |   |   |   |   |      |   |
| 42  | 117,0 | 261,0   | -     | -      | -     | -           | - | -    | -    | 260,0 | -    |      |  |  |  |  |  |  |  |  |  |  |      |             |  |  |  |  |  |  |  |  |  |  |  |                         |  |  |  |  |  |  |  |  |  |  |  |   |   |   |   |   |   |   |   |   |   |   |   |    |   |        |   |   |   |   |   |   |   |   |   |    |   |        |   |   |   |   |   |   |   |   |   |    |       |       |   |   |   |   |   |   |   |       |   |    |       |       |   |   |   |   |   |   |   |       |   |    |       |       |   |   |   |   |   |   |   |       |   |    |       |       |   |   |   |   |   |   |   |       |   |    |      |       |   |   |   |   |   |   |   |       |   |    |      |       |   |   |   |   |   |   |   |       |   |    |      |       |       |   |   |   |   |   |   |       |   |    |      |       |       |   |   |   |   |   |   |       |   |    |      |       |       |   |   |   |   |   |   |       |   |    |      |       |       |   |   |   |   |   |   |       |   |    |      |       |       |   |   |   |   |   |   |       |   |    |      |       |       |   |   |   |   |   |   |       |   |    |      |       |       |   |   |   |   |   |   |       |   |    |   |   |       |       |   |   |   |   |   |       |   |    |   |   |       |       |   |   |   |   |   |       |   |    |   |   |       |       |   |   |   |   |   |       |   |     |   |   |       |       |   |   |   |   |   |       |   |     |   |   |   |       |   |   |   |   |   |       |   |     |   |   |   |       |       |   |   |   |   |       |   |     |   |   |   |       |       |   |   |   |   |       |   |     |   |   |   |       |       |   |   |   |   |       |   |     |   |   |   |   |       |   |   |   |   |       |   |     |   |   |   |   |       |   |   |   |   |       |   |     |   |   |   |   |       |   |   |   |      |      |   |     |   |   |   |   |   |   |   |   |      |      |   |     |   |   |   |   |   |   |   |   |      |      |   |     |   |   |   |   |   |   |   |   |      |      |   |     |   |   |   |   |   |   |   |   |   |      |   |     |   |   |   |   |   |   |   |   |   |      |   |
| 46  | 104,0 | 256,0   | -     | -      | -     | -           | - | -    | -    | 260,0 | -    |      |  |  |  |  |  |  |  |  |  |  |      |             |  |  |  |  |  |  |  |  |  |  |  |                         |  |  |  |  |  |  |  |  |  |  |  |   |   |   |   |   |   |   |   |   |   |   |   |    |   |        |   |   |   |   |   |   |   |   |   |    |   |        |   |   |   |   |   |   |   |   |   |    |       |       |   |   |   |   |   |   |   |       |   |    |       |       |   |   |   |   |   |   |   |       |   |    |       |       |   |   |   |   |   |   |   |       |   |    |       |       |   |   |   |   |   |   |   |       |   |    |      |       |   |   |   |   |   |   |   |       |   |    |      |       |   |   |   |   |   |   |   |       |   |    |      |       |       |   |   |   |   |   |   |       |   |    |      |       |       |   |   |   |   |   |   |       |   |    |      |       |       |   |   |   |   |   |   |       |   |    |      |       |       |   |   |   |   |   |   |       |   |    |      |       |       |   |   |   |   |   |   |       |   |    |      |       |       |   |   |   |   |   |   |       |   |    |      |       |       |   |   |   |   |   |   |       |   |    |   |   |       |       |   |   |   |   |   |       |   |    |   |   |       |       |   |   |   |   |   |       |   |    |   |   |       |       |   |   |   |   |   |       |   |     |   |   |       |       |   |   |   |   |   |       |   |     |   |   |   |       |   |   |   |   |   |       |   |     |   |   |   |       |       |   |   |   |   |       |   |     |   |   |   |       |       |   |   |   |   |       |   |     |   |   |   |       |       |   |   |   |   |       |   |     |   |   |   |   |       |   |   |   |   |       |   |     |   |   |   |   |       |   |   |   |   |       |   |     |   |   |   |   |       |   |   |   |      |      |   |     |   |   |   |   |   |   |   |   |      |      |   |     |   |   |   |   |   |   |   |   |      |      |   |     |   |   |   |   |   |   |   |   |      |      |   |     |   |   |   |   |   |   |   |   |   |      |   |     |   |   |   |   |   |   |   |   |   |      |   |
| 50  | 94,0  | 250,0   | -     | -      | -     | -           | - | -    | -    | 260,0 | -    |      |  |  |  |  |  |  |  |  |  |  |      |             |  |  |  |  |  |  |  |  |  |  |  |                         |  |  |  |  |  |  |  |  |  |  |  |   |   |   |   |   |   |   |   |   |   |   |   |    |   |        |   |   |   |   |   |   |   |   |   |    |   |        |   |   |   |   |   |   |   |   |   |    |       |       |   |   |   |   |   |   |   |       |   |    |       |       |   |   |   |   |   |   |   |       |   |    |       |       |   |   |   |   |   |   |   |       |   |    |       |       |   |   |   |   |   |   |   |       |   |    |      |       |   |   |   |   |   |   |   |       |   |    |      |       |   |   |   |   |   |   |   |       |   |    |      |       |       |   |   |   |   |   |   |       |   |    |      |       |       |   |   |   |   |   |   |       |   |    |      |       |       |   |   |   |   |   |   |       |   |    |      |       |       |   |   |   |   |   |   |       |   |    |      |       |       |   |   |   |   |   |   |       |   |    |      |       |       |   |   |   |   |   |   |       |   |    |      |       |       |   |   |   |   |   |   |       |   |    |   |   |       |       |   |   |   |   |   |       |   |    |   |   |       |       |   |   |   |   |   |       |   |    |   |   |       |       |   |   |   |   |   |       |   |     |   |   |       |       |   |   |   |   |   |       |   |     |   |   |   |       |   |   |   |   |   |       |   |     |   |   |   |       |       |   |   |   |   |       |   |     |   |   |   |       |       |   |   |   |   |       |   |     |   |   |   |       |       |   |   |   |   |       |   |     |   |   |   |   |       |   |   |   |   |       |   |     |   |   |   |   |       |   |   |   |   |       |   |     |   |   |   |   |       |   |   |   |      |      |   |     |   |   |   |   |   |   |   |   |      |      |   |     |   |   |   |   |   |   |   |   |      |      |   |     |   |   |   |   |   |   |   |   |      |      |   |     |   |   |   |   |   |   |   |   |   |      |   |     |   |   |   |   |   |   |   |   |   |      |   |
| 54  | 84,5  | 244,0   | -     | -      | -     | -           | - | -    | -    | 260,0 | -    |      |  |  |  |  |  |  |  |  |  |  |      |             |  |  |  |  |  |  |  |  |  |  |  |                         |  |  |  |  |  |  |  |  |  |  |  |   |   |   |   |   |   |   |   |   |   |   |   |    |   |        |   |   |   |   |   |   |   |   |   |    |   |        |   |   |   |   |   |   |   |   |   |    |       |       |   |   |   |   |   |   |   |       |   |    |       |       |   |   |   |   |   |   |   |       |   |    |       |       |   |   |   |   |   |   |   |       |   |    |       |       |   |   |   |   |   |   |   |       |   |    |      |       |   |   |   |   |   |   |   |       |   |    |      |       |   |   |   |   |   |   |   |       |   |    |      |       |       |   |   |   |   |   |   |       |   |    |      |       |       |   |   |   |   |   |   |       |   |    |      |       |       |   |   |   |   |   |   |       |   |    |      |       |       |   |   |   |   |   |   |       |   |    |      |       |       |   |   |   |   |   |   |       |   |    |      |       |       |   |   |   |   |   |   |       |   |    |      |       |       |   |   |   |   |   |   |       |   |    |   |   |       |       |   |   |   |   |   |       |   |    |   |   |       |       |   |   |   |   |   |       |   |    |   |   |       |       |   |   |   |   |   |       |   |     |   |   |       |       |   |   |   |   |   |       |   |     |   |   |   |       |   |   |   |   |   |       |   |     |   |   |   |       |       |   |   |   |   |       |   |     |   |   |   |       |       |   |   |   |   |       |   |     |   |   |   |       |       |   |   |   |   |       |   |     |   |   |   |   |       |   |   |   |   |       |   |     |   |   |   |   |       |   |   |   |   |       |   |     |   |   |   |   |       |   |   |   |      |      |   |     |   |   |   |   |   |   |   |   |      |      |   |     |   |   |   |   |   |   |   |   |      |      |   |     |   |   |   |   |   |   |   |   |      |      |   |     |   |   |   |   |   |   |   |   |   |      |   |     |   |   |   |   |   |   |   |   |   |      |   |
| 58  | 76,5  | 238,0   | -     | -      | -     | -           | - | -    | -    | 256,0 | -    |      |  |  |  |  |  |  |  |  |  |  |      |             |  |  |  |  |  |  |  |  |  |  |  |                         |  |  |  |  |  |  |  |  |  |  |  |   |   |   |   |   |   |   |   |   |   |   |   |    |   |        |   |   |   |   |   |   |   |   |   |    |   |        |   |   |   |   |   |   |   |   |   |    |       |       |   |   |   |   |   |   |   |       |   |    |       |       |   |   |   |   |   |   |   |       |   |    |       |       |   |   |   |   |   |   |   |       |   |    |       |       |   |   |   |   |   |   |   |       |   |    |      |       |   |   |   |   |   |   |   |       |   |    |      |       |   |   |   |   |   |   |   |       |   |    |      |       |       |   |   |   |   |   |   |       |   |    |      |       |       |   |   |   |   |   |   |       |   |    |      |       |       |   |   |   |   |   |   |       |   |    |      |       |       |   |   |   |   |   |   |       |   |    |      |       |       |   |   |   |   |   |   |       |   |    |      |       |       |   |   |   |   |   |   |       |   |    |      |       |       |   |   |   |   |   |   |       |   |    |   |   |       |       |   |   |   |   |   |       |   |    |   |   |       |       |   |   |   |   |   |       |   |    |   |   |       |       |   |   |   |   |   |       |   |     |   |   |       |       |   |   |   |   |   |       |   |     |   |   |   |       |   |   |   |   |   |       |   |     |   |   |   |       |       |   |   |   |   |       |   |     |   |   |   |       |       |   |   |   |   |       |   |     |   |   |   |       |       |   |   |   |   |       |   |     |   |   |   |   |       |   |   |   |   |       |   |     |   |   |   |   |       |   |   |   |   |       |   |     |   |   |   |   |       |   |   |   |      |      |   |     |   |   |   |   |   |   |   |   |      |      |   |     |   |   |   |   |   |   |   |   |      |      |   |     |   |   |   |   |   |   |   |   |      |      |   |     |   |   |   |   |   |   |   |   |   |      |   |     |   |   |   |   |   |   |   |   |   |      |   |
| 60  | 73,0  | 235,0   | 272,0 | -      | -     | -           | - | -    | -    | 252,5 | -    |      |  |  |  |  |  |  |  |  |  |  |      |             |  |  |  |  |  |  |  |  |  |  |  |                         |  |  |  |  |  |  |  |  |  |  |  |   |   |   |   |   |   |   |   |   |   |   |   |    |   |        |   |   |   |   |   |   |   |   |   |    |   |        |   |   |   |   |   |   |   |   |   |    |       |       |   |   |   |   |   |   |   |       |   |    |       |       |   |   |   |   |   |   |   |       |   |    |       |       |   |   |   |   |   |   |   |       |   |    |       |       |   |   |   |   |   |   |   |       |   |    |      |       |   |   |   |   |   |   |   |       |   |    |      |       |   |   |   |   |   |   |   |       |   |    |      |       |       |   |   |   |   |   |   |       |   |    |      |       |       |   |   |   |   |   |   |       |   |    |      |       |       |   |   |   |   |   |   |       |   |    |      |       |       |   |   |   |   |   |   |       |   |    |      |       |       |   |   |   |   |   |   |       |   |    |      |       |       |   |   |   |   |   |   |       |   |    |      |       |       |   |   |   |   |   |   |       |   |    |   |   |       |       |   |   |   |   |   |       |   |    |   |   |       |       |   |   |   |   |   |       |   |    |   |   |       |       |   |   |   |   |   |       |   |     |   |   |       |       |   |   |   |   |   |       |   |     |   |   |   |       |   |   |   |   |   |       |   |     |   |   |   |       |       |   |   |   |   |       |   |     |   |   |   |       |       |   |   |   |   |       |   |     |   |   |   |       |       |   |   |   |   |       |   |     |   |   |   |   |       |   |   |   |   |       |   |     |   |   |   |   |       |   |   |   |   |       |   |     |   |   |   |   |       |   |   |   |      |      |   |     |   |   |   |   |   |   |   |   |      |      |   |     |   |   |   |   |   |   |   |   |      |      |   |     |   |   |   |   |   |   |   |   |      |      |   |     |   |   |   |   |   |   |   |   |   |      |   |     |   |   |   |   |   |   |   |   |   |      |   |
| 62  | 69,5  | 224,0   | 272,0 | -      | -     | -           | - | -    | -    | 249,0 | -    |      |  |  |  |  |  |  |  |  |  |  |      |             |  |  |  |  |  |  |  |  |  |  |  |                         |  |  |  |  |  |  |  |  |  |  |  |   |   |   |   |   |   |   |   |   |   |   |   |    |   |        |   |   |   |   |   |   |   |   |   |    |   |        |   |   |   |   |   |   |   |   |   |    |       |       |   |   |   |   |   |   |   |       |   |    |       |       |   |   |   |   |   |   |   |       |   |    |       |       |   |   |   |   |   |   |   |       |   |    |       |       |   |   |   |   |   |   |   |       |   |    |      |       |   |   |   |   |   |   |   |       |   |    |      |       |   |   |   |   |   |   |   |       |   |    |      |       |       |   |   |   |   |   |   |       |   |    |      |       |       |   |   |   |   |   |   |       |   |    |      |       |       |   |   |   |   |   |   |       |   |    |      |       |       |   |   |   |   |   |   |       |   |    |      |       |       |   |   |   |   |   |   |       |   |    |      |       |       |   |   |   |   |   |   |       |   |    |      |       |       |   |   |   |   |   |   |       |   |    |   |   |       |       |   |   |   |   |   |       |   |    |   |   |       |       |   |   |   |   |   |       |   |    |   |   |       |       |   |   |   |   |   |       |   |     |   |   |       |       |   |   |   |   |   |       |   |     |   |   |   |       |   |   |   |   |   |       |   |     |   |   |   |       |       |   |   |   |   |       |   |     |   |   |   |       |       |   |   |   |   |       |   |     |   |   |   |       |       |   |   |   |   |       |   |     |   |   |   |   |       |   |   |   |   |       |   |     |   |   |   |   |       |   |   |   |   |       |   |     |   |   |   |   |       |   |   |   |      |      |   |     |   |   |   |   |   |   |   |   |      |      |   |     |   |   |   |   |   |   |   |   |      |      |   |     |   |   |   |   |   |   |   |   |      |      |   |     |   |   |   |   |   |   |   |   |   |      |   |     |   |   |   |   |   |   |   |   |   |      |   |
| 66  | 63,0  | 204,0   | 269,0 | -      | -     | -           | - | -    | -    | 242,0 | -    |      |  |  |  |  |  |  |  |  |  |  |      |             |  |  |  |  |  |  |  |  |  |  |  |                         |  |  |  |  |  |  |  |  |  |  |  |   |   |   |   |   |   |   |   |   |   |   |   |    |   |        |   |   |   |   |   |   |   |   |   |    |   |        |   |   |   |   |   |   |   |   |   |    |       |       |   |   |   |   |   |   |   |       |   |    |       |       |   |   |   |   |   |   |   |       |   |    |       |       |   |   |   |   |   |   |   |       |   |    |       |       |   |   |   |   |   |   |   |       |   |    |      |       |   |   |   |   |   |   |   |       |   |    |      |       |   |   |   |   |   |   |   |       |   |    |      |       |       |   |   |   |   |   |   |       |   |    |      |       |       |   |   |   |   |   |   |       |   |    |      |       |       |   |   |   |   |   |   |       |   |    |      |       |       |   |   |   |   |   |   |       |   |    |      |       |       |   |   |   |   |   |   |       |   |    |      |       |       |   |   |   |   |   |   |       |   |    |      |       |       |   |   |   |   |   |   |       |   |    |   |   |       |       |   |   |   |   |   |       |   |    |   |   |       |       |   |   |   |   |   |       |   |    |   |   |       |       |   |   |   |   |   |       |   |     |   |   |       |       |   |   |   |   |   |       |   |     |   |   |   |       |   |   |   |   |   |       |   |     |   |   |   |       |       |   |   |   |   |       |   |     |   |   |   |       |       |   |   |   |   |       |   |     |   |   |   |       |       |   |   |   |   |       |   |     |   |   |   |   |       |   |   |   |   |       |   |     |   |   |   |   |       |   |   |   |   |       |   |     |   |   |   |   |       |   |   |   |      |      |   |     |   |   |   |   |   |   |   |   |      |      |   |     |   |   |   |   |   |   |   |   |      |      |   |     |   |   |   |   |   |   |   |   |      |      |   |     |   |   |   |   |   |   |   |   |   |      |   |     |   |   |   |   |   |   |   |   |   |      |   |
| 70  | 56,5  | 186,0   | 251,0 | -      | -     | -           | - | -    | -    | 234,0 | -    |      |  |  |  |  |  |  |  |  |  |  |      |             |  |  |  |  |  |  |  |  |  |  |  |                         |  |  |  |  |  |  |  |  |  |  |  |   |   |   |   |   |   |   |   |   |   |   |   |    |   |        |   |   |   |   |   |   |   |   |   |    |   |        |   |   |   |   |   |   |   |   |   |    |       |       |   |   |   |   |   |   |   |       |   |    |       |       |   |   |   |   |   |   |   |       |   |    |       |       |   |   |   |   |   |   |   |       |   |    |       |       |   |   |   |   |   |   |   |       |   |    |      |       |   |   |   |   |   |   |   |       |   |    |      |       |   |   |   |   |   |   |   |       |   |    |      |       |       |   |   |   |   |   |   |       |   |    |      |       |       |   |   |   |   |   |   |       |   |    |      |       |       |   |   |   |   |   |   |       |   |    |      |       |       |   |   |   |   |   |   |       |   |    |      |       |       |   |   |   |   |   |   |       |   |    |      |       |       |   |   |   |   |   |   |       |   |    |      |       |       |   |   |   |   |   |   |       |   |    |   |   |       |       |   |   |   |   |   |       |   |    |   |   |       |       |   |   |   |   |   |       |   |    |   |   |       |       |   |   |   |   |   |       |   |     |   |   |       |       |   |   |   |   |   |       |   |     |   |   |   |       |   |   |   |   |   |       |   |     |   |   |   |       |       |   |   |   |   |       |   |     |   |   |   |       |       |   |   |   |   |       |   |     |   |   |   |       |       |   |   |   |   |       |   |     |   |   |   |   |       |   |   |   |   |       |   |     |   |   |   |   |       |   |   |   |   |       |   |     |   |   |   |   |       |   |   |   |      |      |   |     |   |   |   |   |   |   |   |   |      |      |   |     |   |   |   |   |   |   |   |   |      |      |   |     |   |   |   |   |   |   |   |   |      |      |   |     |   |   |   |   |   |   |   |   |   |      |   |     |   |   |   |   |   |   |   |   |   |      |   |
| 74  | 50,5  | 166,0   | 227,0 | -      | -     | -           | - | -    | -    | 228,0 | -    |      |  |  |  |  |  |  |  |  |  |  |      |             |  |  |  |  |  |  |  |  |  |  |  |                         |  |  |  |  |  |  |  |  |  |  |  |   |   |   |   |   |   |   |   |   |   |   |   |    |   |        |   |   |   |   |   |   |   |   |   |    |   |        |   |   |   |   |   |   |   |   |   |    |       |       |   |   |   |   |   |   |   |       |   |    |       |       |   |   |   |   |   |   |   |       |   |    |       |       |   |   |   |   |   |   |   |       |   |    |       |       |   |   |   |   |   |   |   |       |   |    |      |       |   |   |   |   |   |   |   |       |   |    |      |       |   |   |   |   |   |   |   |       |   |    |      |       |       |   |   |   |   |   |   |       |   |    |      |       |       |   |   |   |   |   |   |       |   |    |      |       |       |   |   |   |   |   |   |       |   |    |      |       |       |   |   |   |   |   |   |       |   |    |      |       |       |   |   |   |   |   |   |       |   |    |      |       |       |   |   |   |   |   |   |       |   |    |      |       |       |   |   |   |   |   |   |       |   |    |   |   |       |       |   |   |   |   |   |       |   |    |   |   |       |       |   |   |   |   |   |       |   |    |   |   |       |       |   |   |   |   |   |       |   |     |   |   |       |       |   |   |   |   |   |       |   |     |   |   |   |       |   |   |   |   |   |       |   |     |   |   |   |       |       |   |   |   |   |       |   |     |   |   |   |       |       |   |   |   |   |       |   |     |   |   |   |       |       |   |   |   |   |       |   |     |   |   |   |   |       |   |   |   |   |       |   |     |   |   |   |   |       |   |   |   |   |       |   |     |   |   |   |   |       |   |   |   |      |      |   |     |   |   |   |   |   |   |   |   |      |      |   |     |   |   |   |   |   |   |   |   |      |      |   |     |   |   |   |   |   |   |   |   |      |      |   |     |   |   |   |   |   |   |   |   |   |      |   |     |   |   |   |   |   |   |   |   |   |      |   |
| 78  | 45,6  | 143,0   | 206,0 | -      | -     | -           | - | -    | -    | 221,0 | -    |      |  |  |  |  |  |  |  |  |  |  |      |             |  |  |  |  |  |  |  |  |  |  |  |                         |  |  |  |  |  |  |  |  |  |  |  |   |   |   |   |   |   |   |   |   |   |   |   |    |   |        |   |   |   |   |   |   |   |   |   |    |   |        |   |   |   |   |   |   |   |   |   |    |       |       |   |   |   |   |   |   |   |       |   |    |       |       |   |   |   |   |   |   |   |       |   |    |       |       |   |   |   |   |   |   |   |       |   |    |       |       |   |   |   |   |   |   |   |       |   |    |      |       |   |   |   |   |   |   |   |       |   |    |      |       |   |   |   |   |   |   |   |       |   |    |      |       |       |   |   |   |   |   |   |       |   |    |      |       |       |   |   |   |   |   |   |       |   |    |      |       |       |   |   |   |   |   |   |       |   |    |      |       |       |   |   |   |   |   |   |       |   |    |      |       |       |   |   |   |   |   |   |       |   |    |      |       |       |   |   |   |   |   |   |       |   |    |      |       |       |   |   |   |   |   |   |       |   |    |   |   |       |       |   |   |   |   |   |       |   |    |   |   |       |       |   |   |   |   |   |       |   |    |   |   |       |       |   |   |   |   |   |       |   |     |   |   |       |       |   |   |   |   |   |       |   |     |   |   |   |       |   |   |   |   |   |       |   |     |   |   |   |       |       |   |   |   |   |       |   |     |   |   |   |       |       |   |   |   |   |       |   |     |   |   |   |       |       |   |   |   |   |       |   |     |   |   |   |   |       |   |   |   |   |       |   |     |   |   |   |   |       |   |   |   |   |       |   |     |   |   |   |   |       |   |   |   |      |      |   |     |   |   |   |   |   |   |   |   |      |      |   |     |   |   |   |   |   |   |   |   |      |      |   |     |   |   |   |   |   |   |   |   |      |      |   |     |   |   |   |   |   |   |   |   |   |      |   |     |   |   |   |   |   |   |   |   |   |      |   |
| 82  | -     | -       | 188,0 | 217,0  | -     | -           | - | -    | -    | 215,0 | -    |      |  |  |  |  |  |  |  |  |  |  |      |             |  |  |  |  |  |  |  |  |  |  |  |                         |  |  |  |  |  |  |  |  |  |  |  |   |   |   |   |   |   |   |   |   |   |   |   |    |   |        |   |   |   |   |   |   |   |   |   |    |   |        |   |   |   |   |   |   |   |   |   |    |       |       |   |   |   |   |   |   |   |       |   |    |       |       |   |   |   |   |   |   |   |       |   |    |       |       |   |   |   |   |   |   |   |       |   |    |       |       |   |   |   |   |   |   |   |       |   |    |      |       |   |   |   |   |   |   |   |       |   |    |      |       |   |   |   |   |   |   |   |       |   |    |      |       |       |   |   |   |   |   |   |       |   |    |      |       |       |   |   |   |   |   |   |       |   |    |      |       |       |   |   |   |   |   |   |       |   |    |      |       |       |   |   |   |   |   |   |       |   |    |      |       |       |   |   |   |   |   |   |       |   |    |      |       |       |   |   |   |   |   |   |       |   |    |      |       |       |   |   |   |   |   |   |       |   |    |   |   |       |       |   |   |   |   |   |       |   |    |   |   |       |       |   |   |   |   |   |       |   |    |   |   |       |       |   |   |   |   |   |       |   |     |   |   |       |       |   |   |   |   |   |       |   |     |   |   |   |       |   |   |   |   |   |       |   |     |   |   |   |       |       |   |   |   |   |       |   |     |   |   |   |       |       |   |   |   |   |       |   |     |   |   |   |       |       |   |   |   |   |       |   |     |   |   |   |   |       |   |   |   |   |       |   |     |   |   |   |   |       |   |   |   |   |       |   |     |   |   |   |   |       |   |   |   |      |      |   |     |   |   |   |   |   |   |   |   |      |      |   |     |   |   |   |   |   |   |   |   |      |      |   |     |   |   |   |   |   |   |   |   |      |      |   |     |   |   |   |   |   |   |   |   |   |      |   |     |   |   |   |   |   |   |   |   |   |      |   |
| 86  | -     | -       | 172,0 | 204,0  | -     | -           | - | -    | -    | 199,0 | -    |      |  |  |  |  |  |  |  |  |  |  |      |             |  |  |  |  |  |  |  |  |  |  |  |                         |  |  |  |  |  |  |  |  |  |  |  |   |   |   |   |   |   |   |   |   |   |   |   |    |   |        |   |   |   |   |   |   |   |   |   |    |   |        |   |   |   |   |   |   |   |   |   |    |       |       |   |   |   |   |   |   |   |       |   |    |       |       |   |   |   |   |   |   |   |       |   |    |       |       |   |   |   |   |   |   |   |       |   |    |       |       |   |   |   |   |   |   |   |       |   |    |      |       |   |   |   |   |   |   |   |       |   |    |      |       |   |   |   |   |   |   |   |       |   |    |      |       |       |   |   |   |   |   |   |       |   |    |      |       |       |   |   |   |   |   |   |       |   |    |      |       |       |   |   |   |   |   |   |       |   |    |      |       |       |   |   |   |   |   |   |       |   |    |      |       |       |   |   |   |   |   |   |       |   |    |      |       |       |   |   |   |   |   |   |       |   |    |      |       |       |   |   |   |   |   |   |       |   |    |   |   |       |       |   |   |   |   |   |       |   |    |   |   |       |       |   |   |   |   |   |       |   |    |   |   |       |       |   |   |   |   |   |       |   |     |   |   |       |       |   |   |   |   |   |       |   |     |   |   |   |       |   |   |   |   |   |       |   |     |   |   |   |       |       |   |   |   |   |       |   |     |   |   |   |       |       |   |   |   |   |       |   |     |   |   |   |       |       |   |   |   |   |       |   |     |   |   |   |   |       |   |   |   |   |       |   |     |   |   |   |   |       |   |   |   |   |       |   |     |   |   |   |   |       |   |   |   |      |      |   |     |   |   |   |   |   |   |   |   |      |      |   |     |   |   |   |   |   |   |   |   |      |      |   |     |   |   |   |   |   |   |   |   |      |      |   |     |   |   |   |   |   |   |   |   |   |      |   |     |   |   |   |   |   |   |   |   |   |      |   |
| 90  | -     | -       | 157,0 | 193,0  | -     | -           | - | -    | -    | 185,0 | -    |      |  |  |  |  |  |  |  |  |  |  |      |             |  |  |  |  |  |  |  |  |  |  |  |                         |  |  |  |  |  |  |  |  |  |  |  |   |   |   |   |   |   |   |   |   |   |   |   |    |   |        |   |   |   |   |   |   |   |   |   |    |   |        |   |   |   |   |   |   |   |   |   |    |       |       |   |   |   |   |   |   |   |       |   |    |       |       |   |   |   |   |   |   |   |       |   |    |       |       |   |   |   |   |   |   |   |       |   |    |       |       |   |   |   |   |   |   |   |       |   |    |      |       |   |   |   |   |   |   |   |       |   |    |      |       |   |   |   |   |   |   |   |       |   |    |      |       |       |   |   |   |   |   |   |       |   |    |      |       |       |   |   |   |   |   |   |       |   |    |      |       |       |   |   |   |   |   |   |       |   |    |      |       |       |   |   |   |   |   |   |       |   |    |      |       |       |   |   |   |   |   |   |       |   |    |      |       |       |   |   |   |   |   |   |       |   |    |      |       |       |   |   |   |   |   |   |       |   |    |   |   |       |       |   |   |   |   |   |       |   |    |   |   |       |       |   |   |   |   |   |       |   |    |   |   |       |       |   |   |   |   |   |       |   |     |   |   |       |       |   |   |   |   |   |       |   |     |   |   |   |       |   |   |   |   |   |       |   |     |   |   |   |       |       |   |   |   |   |       |   |     |   |   |   |       |       |   |   |   |   |       |   |     |   |   |   |       |       |   |   |   |   |       |   |     |   |   |   |   |       |   |   |   |   |       |   |     |   |   |   |   |       |   |   |   |   |       |   |     |   |   |   |   |       |   |   |   |      |      |   |     |   |   |   |   |   |   |   |   |      |      |   |     |   |   |   |   |   |   |   |   |      |      |   |     |   |   |   |   |   |   |   |   |      |      |   |     |   |   |   |   |   |   |   |   |   |      |   |     |   |   |   |   |   |   |   |   |   |      |   |
| 94  | -     | -       | -     | 183,0  | -     | -           | - | -    | -    | 172,0 | -    |      |  |  |  |  |  |  |  |  |  |  |      |             |  |  |  |  |  |  |  |  |  |  |  |                         |  |  |  |  |  |  |  |  |  |  |  |   |   |   |   |   |   |   |   |   |   |   |   |    |   |        |   |   |   |   |   |   |   |   |   |    |   |        |   |   |   |   |   |   |   |   |   |    |       |       |   |   |   |   |   |   |   |       |   |    |       |       |   |   |   |   |   |   |   |       |   |    |       |       |   |   |   |   |   |   |   |       |   |    |       |       |   |   |   |   |   |   |   |       |   |    |      |       |   |   |   |   |   |   |   |       |   |    |      |       |   |   |   |   |   |   |   |       |   |    |      |       |       |   |   |   |   |   |   |       |   |    |      |       |       |   |   |   |   |   |   |       |   |    |      |       |       |   |   |   |   |   |   |       |   |    |      |       |       |   |   |   |   |   |   |       |   |    |      |       |       |   |   |   |   |   |   |       |   |    |      |       |       |   |   |   |   |   |   |       |   |    |      |       |       |   |   |   |   |   |   |       |   |    |   |   |       |       |   |   |   |   |   |       |   |    |   |   |       |       |   |   |   |   |   |       |   |    |   |   |       |       |   |   |   |   |   |       |   |     |   |   |       |       |   |   |   |   |   |       |   |     |   |   |   |       |   |   |   |   |   |       |   |     |   |   |   |       |       |   |   |   |   |       |   |     |   |   |   |       |       |   |   |   |   |       |   |     |   |   |   |       |       |   |   |   |   |       |   |     |   |   |   |   |       |   |   |   |   |       |   |     |   |   |   |   |       |   |   |   |   |       |   |     |   |   |   |   |       |   |   |   |      |      |   |     |   |   |   |   |   |   |   |   |      |      |   |     |   |   |   |   |   |   |   |   |      |      |   |     |   |   |   |   |   |   |   |   |      |      |   |     |   |   |   |   |   |   |   |   |   |      |   |     |   |   |   |   |   |   |   |   |   |      |   |
| 98  | -     | -       | -     | 172,0  | -     | -           | - | -    | -    | 160,0 | -    |      |  |  |  |  |  |  |  |  |  |  |      |             |  |  |  |  |  |  |  |  |  |  |  |                         |  |  |  |  |  |  |  |  |  |  |  |   |   |   |   |   |   |   |   |   |   |   |   |    |   |        |   |   |   |   |   |   |   |   |   |    |   |        |   |   |   |   |   |   |   |   |   |    |       |       |   |   |   |   |   |   |   |       |   |    |       |       |   |   |   |   |   |   |   |       |   |    |       |       |   |   |   |   |   |   |   |       |   |    |       |       |   |   |   |   |   |   |   |       |   |    |      |       |   |   |   |   |   |   |   |       |   |    |      |       |   |   |   |   |   |   |   |       |   |    |      |       |       |   |   |   |   |   |   |       |   |    |      |       |       |   |   |   |   |   |   |       |   |    |      |       |       |   |   |   |   |   |   |       |   |    |      |       |       |   |   |   |   |   |   |       |   |    |      |       |       |   |   |   |   |   |   |       |   |    |      |       |       |   |   |   |   |   |   |       |   |    |      |       |       |   |   |   |   |   |   |       |   |    |   |   |       |       |   |   |   |   |   |       |   |    |   |   |       |       |   |   |   |   |   |       |   |    |   |   |       |       |   |   |   |   |   |       |   |     |   |   |       |       |   |   |   |   |   |       |   |     |   |   |   |       |   |   |   |   |   |       |   |     |   |   |   |       |       |   |   |   |   |       |   |     |   |   |   |       |       |   |   |   |   |       |   |     |   |   |   |       |       |   |   |   |   |       |   |     |   |   |   |   |       |   |   |   |   |       |   |     |   |   |   |   |       |   |   |   |   |       |   |     |   |   |   |   |       |   |   |   |      |      |   |     |   |   |   |   |   |   |   |   |      |      |   |     |   |   |   |   |   |   |   |   |      |      |   |     |   |   |   |   |   |   |   |   |      |      |   |     |   |   |   |   |   |   |   |   |   |      |   |     |   |   |   |   |   |   |   |   |   |      |   |
| 102   | -     | -       | -     | 158,0  | 151,0 | -           | - | -    | -    | 149,0 | -    |      |  |  |  |  |  |  |  |  |  |  |      |             |  |  |  |  |  |  |  |  |  |  |  |                         |  |  |  |  |  |  |  |  |  |  |  |   |   |   |   |   |   |   |   |   |   |   |   |    |   |        |   |   |   |   |   |   |   |   |   |    |   |        |   |   |   |   |   |   |   |   |   |    |       |       |   |   |   |   |   |   |   |       |   |    |       |       |   |   |   |   |   |   |   |       |   |    |       |       |   |   |   |   |   |   |   |       |   |    |       |       |   |   |   |   |   |   |   |       |   |    |      |       |   |   |   |   |   |   |   |       |   |    |      |       |   |   |   |   |   |   |   |       |   |    |      |       |       |   |   |   |   |   |   |       |   |    |      |       |       |   |   |   |   |   |   |       |   |    |      |       |       |   |   |   |   |   |   |       |   |    |      |       |       |   |   |   |   |   |   |       |   |    |      |       |       |   |   |   |   |   |   |       |   |    |      |       |       |   |   |   |   |   |   |       |   |    |      |       |       |   |   |   |   |   |   |       |   |    |   |   |       |       |   |   |   |   |   |       |   |    |   |   |       |       |   |   |   |   |   |       |   |    |   |   |       |       |   |   |   |   |   |       |   |     |   |   |       |       |   |   |   |   |   |       |   |     |   |   |   |       |   |   |   |   |   |       |   |     |   |   |   |       |       |   |   |   |   |       |   |     |   |   |   |       |       |   |   |   |   |       |   |     |   |   |   |       |       |   |   |   |   |       |   |     |   |   |   |   |       |   |   |   |   |       |   |     |   |   |   |   |       |   |   |   |   |       |   |     |   |   |   |   |       |   |   |   |      |      |   |     |   |   |   |   |   |   |   |   |      |      |   |     |   |   |   |   |   |   |   |   |      |      |   |     |   |   |   |   |   |   |   |   |      |      |   |     |   |   |   |   |   |   |   |   |   |      |   |     |   |   |   |   |   |   |   |   |   |      |   |
| 106   | -     | -       | -     | -      | 144,0 | -           | - | -    | -    | 137,0 | -    |      |  |  |  |  |  |  |  |  |  |  |      |             |  |  |  |  |  |  |  |  |  |  |  |                         |  |  |  |  |  |  |  |  |  |  |  |   |   |   |   |   |   |   |   |   |   |   |   |    |   |        |   |   |   |   |   |   |   |   |   |    |   |        |   |   |   |   |   |   |   |   |   |    |       |       |   |   |   |   |   |   |   |       |   |    |       |       |   |   |   |   |   |   |   |       |   |    |       |       |   |   |   |   |   |   |   |       |   |    |       |       |   |   |   |   |   |   |   |       |   |    |      |       |   |   |   |   |   |   |   |       |   |    |      |       |   |   |   |   |   |   |   |       |   |    |      |       |       |   |   |   |   |   |   |       |   |    |      |       |       |   |   |   |   |   |   |       |   |    |      |       |       |   |   |   |   |   |   |       |   |    |      |       |       |   |   |   |   |   |   |       |   |    |      |       |       |   |   |   |   |   |   |       |   |    |      |       |       |   |   |   |   |   |   |       |   |    |      |       |       |   |   |   |   |   |   |       |   |    |   |   |       |       |   |   |   |   |   |       |   |    |   |   |       |       |   |   |   |   |   |       |   |    |   |   |       |       |   |   |   |   |   |       |   |     |   |   |       |       |   |   |   |   |   |       |   |     |   |   |   |       |   |   |   |   |   |       |   |     |   |   |   |       |       |   |   |   |   |       |   |     |   |   |   |       |       |   |   |   |   |       |   |     |   |   |   |       |       |   |   |   |   |       |   |     |   |   |   |   |       |   |   |   |   |       |   |     |   |   |   |   |       |   |   |   |   |       |   |     |   |   |   |   |       |   |   |   |      |      |   |     |   |   |   |   |   |   |   |   |      |      |   |     |   |   |   |   |   |   |   |   |      |      |   |     |   |   |   |   |   |   |   |   |      |      |   |     |   |   |   |   |   |   |   |   |   |      |   |     |   |   |   |   |   |   |   |   |   |      |   |
| 110   | -     | -       | -     | -      | 137,0 | -           | - | -    | -    | 123,0 | -    |      |  |  |  |  |  |  |  |  |  |  |      |             |  |  |  |  |  |  |  |  |  |  |  |                         |  |  |  |  |  |  |  |  |  |  |  |   |   |   |   |   |   |   |   |   |   |   |   |    |   |        |   |   |   |   |   |   |   |   |   |    |   |        |   |   |   |   |   |   |   |   |   |    |       |       |   |   |   |   |   |   |   |       |   |    |       |       |   |   |   |   |   |   |   |       |   |    |       |       |   |   |   |   |   |   |   |       |   |    |       |       |   |   |   |   |   |   |   |       |   |    |      |       |   |   |   |   |   |   |   |       |   |    |      |       |   |   |   |   |   |   |   |       |   |    |      |       |       |   |   |   |   |   |   |       |   |    |      |       |       |   |   |   |   |   |   |       |   |    |      |       |       |   |   |   |   |   |   |       |   |    |      |       |       |   |   |   |   |   |   |       |   |    |      |       |       |   |   |   |   |   |   |       |   |    |      |       |       |   |   |   |   |   |   |       |   |    |      |       |       |   |   |   |   |   |   |       |   |    |   |   |       |       |   |   |   |   |   |       |   |    |   |   |       |       |   |   |   |   |   |       |   |    |   |   |       |       |   |   |   |   |   |       |   |     |   |   |       |       |   |   |   |   |   |       |   |     |   |   |   |       |   |   |   |   |   |       |   |     |   |   |   |       |       |   |   |   |   |       |   |     |   |   |   |       |       |   |   |   |   |       |   |     |   |   |   |       |       |   |   |   |   |       |   |     |   |   |   |   |       |   |   |   |   |       |   |     |   |   |   |   |       |   |   |   |   |       |   |     |   |   |   |   |       |   |   |   |      |      |   |     |   |   |   |   |   |   |   |   |      |      |   |     |   |   |   |   |   |   |   |   |      |      |   |     |   |   |   |   |   |   |   |   |      |      |   |     |   |   |   |   |   |   |   |   |   |      |   |     |   |   |   |   |   |   |   |   |   |      |   |
| 112   | -     | -       | -     | -      | 133,0 | -           | - | -    | -    | 116,5 | -    |      |  |  |  |  |  |  |  |  |  |  |      |             |  |  |  |  |  |  |  |  |  |  |  |                         |  |  |  |  |  |  |  |  |  |  |  |   |   |   |   |   |   |   |   |   |   |   |   |    |   |        |   |   |   |   |   |   |   |   |   |    |   |        |   |   |   |   |   |   |   |   |   |    |       |       |   |   |   |   |   |   |   |       |   |    |       |       |   |   |   |   |   |   |   |       |   |    |       |       |   |   |   |   |   |   |   |       |   |    |       |       |   |   |   |   |   |   |   |       |   |    |      |       |   |   |   |   |   |   |   |       |   |    |      |       |   |   |   |   |   |   |   |       |   |    |      |       |       |   |   |   |   |   |   |       |   |    |      |       |       |   |   |   |   |   |   |       |   |    |      |       |       |   |   |   |   |   |   |       |   |    |      |       |       |   |   |   |   |   |   |       |   |    |      |       |       |   |   |   |   |   |   |       |   |    |      |       |       |   |   |   |   |   |   |       |   |    |      |       |       |   |   |   |   |   |   |       |   |    |   |   |       |       |   |   |   |   |   |       |   |    |   |   |       |       |   |   |   |   |   |       |   |    |   |   |       |       |   |   |   |   |   |       |   |     |   |   |       |       |   |   |   |   |   |       |   |     |   |   |   |       |   |   |   |   |   |       |   |     |   |   |   |       |       |   |   |   |   |       |   |     |   |   |   |       |       |   |   |   |   |       |   |     |   |   |   |       |       |   |   |   |   |       |   |     |   |   |   |   |       |   |   |   |   |       |   |     |   |   |   |   |       |   |   |   |   |       |   |     |   |   |   |   |       |   |   |   |      |      |   |     |   |   |   |   |   |   |   |   |      |      |   |     |   |   |   |   |   |   |   |   |      |      |   |     |   |   |   |   |   |   |   |   |      |      |   |     |   |   |   |   |   |   |   |   |   |      |   |     |   |   |   |   |   |   |   |   |   |      |   |
| 114   | -     | -       | -     | -      | -     | -           | - | -    | -    | 110,0 | -    |      |  |  |  |  |  |  |  |  |  |  |      |             |  |  |  |  |  |  |  |  |  |  |  |                         |  |  |  |  |  |  |  |  |  |  |  |   |   |   |   |   |   |   |   |   |   |   |   |    |   |        |   |   |   |   |   |   |   |   |   |    |   |        |   |   |   |   |   |   |   |   |   |    |       |       |   |   |   |   |   |   |   |       |   |    |       |       |   |   |   |   |   |   |   |       |   |    |       |       |   |   |   |   |   |   |   |       |   |    |       |       |   |   |   |   |   |   |   |       |   |    |      |       |   |   |   |   |   |   |   |       |   |    |      |       |   |   |   |   |   |   |   |       |   |    |      |       |       |   |   |   |   |   |   |       |   |    |      |       |       |   |   |   |   |   |   |       |   |    |      |       |       |   |   |   |   |   |   |       |   |    |      |       |       |   |   |   |   |   |   |       |   |    |      |       |       |   |   |   |   |   |   |       |   |    |      |       |       |   |   |   |   |   |   |       |   |    |      |       |       |   |   |   |   |   |   |       |   |    |   |   |       |       |   |   |   |   |   |       |   |    |   |   |       |       |   |   |   |   |   |       |   |    |   |   |       |       |   |   |   |   |   |       |   |     |   |   |       |       |   |   |   |   |   |       |   |     |   |   |   |       |   |   |   |   |   |       |   |     |   |   |   |       |       |   |   |   |   |       |   |     |   |   |   |       |       |   |   |   |   |       |   |     |   |   |   |       |       |   |   |   |   |       |   |     |   |   |   |   |       |   |   |   |   |       |   |     |   |   |   |   |       |   |   |   |   |       |   |     |   |   |   |   |       |   |   |   |      |      |   |     |   |   |   |   |   |   |   |   |      |      |   |     |   |   |   |   |   |   |   |   |      |      |   |     |   |   |   |   |   |   |   |   |      |      |   |     |   |   |   |   |   |   |   |   |   |      |   |     |   |   |   |   |   |   |   |   |   |      |   |
| 118   | -     | -       | -     | -      | -     | -           | - | -    | 99,5 | 98,5  | -    |      |  |  |  |  |  |  |  |  |  |  |      |             |  |  |  |  |  |  |  |  |  |  |  |                         |  |  |  |  |  |  |  |  |  |  |  |   |   |   |   |   |   |   |   |   |   |   |   |    |   |        |   |   |   |   |   |   |   |   |   |    |   |        |   |   |   |   |   |   |   |   |   |    |       |       |   |   |   |   |   |   |   |       |   |    |       |       |   |   |   |   |   |   |   |       |   |    |       |       |   |   |   |   |   |   |   |       |   |    |       |       |   |   |   |   |   |   |   |       |   |    |      |       |   |   |   |   |   |   |   |       |   |    |      |       |   |   |   |   |   |   |   |       |   |    |      |       |       |   |   |   |   |   |   |       |   |    |      |       |       |   |   |   |   |   |   |       |   |    |      |       |       |   |   |   |   |   |   |       |   |    |      |       |       |   |   |   |   |   |   |       |   |    |      |       |       |   |   |   |   |   |   |       |   |    |      |       |       |   |   |   |   |   |   |       |   |    |      |       |       |   |   |   |   |   |   |       |   |    |   |   |       |       |   |   |   |   |   |       |   |    |   |   |       |       |   |   |   |   |   |       |   |    |   |   |       |       |   |   |   |   |   |       |   |     |   |   |       |       |   |   |   |   |   |       |   |     |   |   |   |       |   |   |   |   |   |       |   |     |   |   |   |       |       |   |   |   |   |       |   |     |   |   |   |       |       |   |   |   |   |       |   |     |   |   |   |       |       |   |   |   |   |       |   |     |   |   |   |   |       |   |   |   |   |       |   |     |   |   |   |   |       |   |   |   |   |       |   |     |   |   |   |   |       |   |   |   |      |      |   |     |   |   |   |   |   |   |   |   |      |      |   |     |   |   |   |   |   |   |   |   |      |      |   |     |   |   |   |   |   |   |   |   |      |      |   |     |   |   |   |   |   |   |   |   |   |      |   |     |   |   |   |   |   |   |   |   |   |      |   |
| 122   | -     | -       | -     | -      | -     | -           | - | -    | 94,5 | 86,5  | -    |      |  |  |  |  |  |  |  |  |  |  |      |             |  |  |  |  |  |  |  |  |  |  |  |                         |  |  |  |  |  |  |  |  |  |  |  |   |   |   |   |   |   |   |   |   |   |   |   |    |   |        |   |   |   |   |   |   |   |   |   |    |   |        |   |   |   |   |   |   |   |   |   |    |       |       |   |   |   |   |   |   |   |       |   |    |       |       |   |   |   |   |   |   |   |       |   |    |       |       |   |   |   |   |   |   |   |       |   |    |       |       |   |   |   |   |   |   |   |       |   |    |      |       |   |   |   |   |   |   |   |       |   |    |      |       |   |   |   |   |   |   |   |       |   |    |      |       |       |   |   |   |   |   |   |       |   |    |      |       |       |   |   |   |   |   |   |       |   |    |      |       |       |   |   |   |   |   |   |       |   |    |      |       |       |   |   |   |   |   |   |       |   |    |      |       |       |   |   |   |   |   |   |       |   |    |      |       |       |   |   |   |   |   |   |       |   |    |      |       |       |   |   |   |   |   |   |       |   |    |   |   |       |       |   |   |   |   |   |       |   |    |   |   |       |       |   |   |   |   |   |       |   |    |   |   |       |       |   |   |   |   |   |       |   |     |   |   |       |       |   |   |   |   |   |       |   |     |   |   |   |       |   |   |   |   |   |       |   |     |   |   |   |       |       |   |   |   |   |       |   |     |   |   |   |       |       |   |   |   |   |       |   |     |   |   |   |       |       |   |   |   |   |       |   |     |   |   |   |   |       |   |   |   |   |       |   |     |   |   |   |   |       |   |   |   |   |       |   |     |   |   |   |   |       |   |   |   |      |      |   |     |   |   |   |   |   |   |   |   |      |      |   |     |   |   |   |   |   |   |   |   |      |      |   |     |   |   |   |   |   |   |   |   |      |      |   |     |   |   |   |   |   |   |   |   |   |      |   |     |   |   |   |   |   |   |   |   |   |      |   |
| 126   | -     | -       | -     | -      | -     | -           | - | -    | -    | 77,5  | -    |      |  |  |  |  |  |  |  |  |  |  |      |             |  |  |  |  |  |  |  |  |  |  |  |                         |  |  |  |  |  |  |  |  |  |  |  |   |   |   |   |   |   |   |   |   |   |   |   |    |   |        |   |   |   |   |   |   |   |   |   |    |   |        |   |   |   |   |   |   |   |   |   |    |       |       |   |   |   |   |   |   |   |       |   |    |       |       |   |   |   |   |   |   |   |       |   |    |       |       |   |   |   |   |   |   |   |       |   |    |       |       |   |   |   |   |   |   |   |       |   |    |      |       |   |   |   |   |   |   |   |       |   |    |      |       |   |   |   |   |   |   |   |       |   |    |      |       |       |   |   |   |   |   |   |       |   |    |      |       |       |   |   |   |   |   |   |       |   |    |      |       |       |   |   |   |   |   |   |       |   |    |      |       |       |   |   |   |   |   |   |       |   |    |      |       |       |   |   |   |   |   |   |       |   |    |      |       |       |   |   |   |   |   |   |       |   |    |      |       |       |   |   |   |   |   |   |       |   |    |   |   |       |       |   |   |   |   |   |       |   |    |   |   |       |       |   |   |   |   |   |       |   |    |   |   |       |       |   |   |   |   |   |       |   |     |   |   |       |       |   |   |   |   |   |       |   |     |   |   |   |       |   |   |   |   |   |       |   |     |   |   |   |       |       |   |   |   |   |       |   |     |   |   |   |       |       |   |   |   |   |       |   |     |   |   |   |       |       |   |   |   |   |       |   |     |   |   |   |   |       |   |   |   |   |       |   |     |   |   |   |   |       |   |   |   |   |       |   |     |   |   |   |   |       |   |   |   |      |      |   |     |   |   |   |   |   |   |   |   |      |      |   |     |   |   |   |   |   |   |   |   |      |      |   |     |   |   |   |   |   |   |   |   |      |      |   |     |   |   |   |   |   |   |   |   |   |      |   |     |   |   |   |   |   |   |   |   |   |      |   |
| 130   | -     | -       | -     | -      | -     | -           | - | -    | -    | 71,0  | -    |      |  |  |  |  |  |  |  |  |  |  |      |             |  |  |  |  |  |  |  |  |  |  |  |                         |  |  |  |  |  |  |  |  |  |  |  |   |   |   |   |   |   |   |   |   |   |   |   |    |   |        |   |   |   |   |   |   |   |   |   |    |   |        |   |   |   |   |   |   |   |   |   |    |       |       |   |   |   |   |   |   |   |       |   |    |       |       |   |   |   |   |   |   |   |       |   |    |       |       |   |   |   |   |   |   |   |       |   |    |       |       |   |   |   |   |   |   |   |       |   |    |      |       |   |   |   |   |   |   |   |       |   |    |      |       |   |   |   |   |   |   |   |       |   |    |      |       |       |   |   |   |   |   |   |       |   |    |      |       |       |   |   |   |   |   |   |       |   |    |      |       |       |   |   |   |   |   |   |       |   |    |      |       |       |   |   |   |   |   |   |       |   |    |      |       |       |   |   |   |   |   |   |       |   |    |      |       |       |   |   |   |   |   |   |       |   |    |      |       |       |   |   |   |   |   |   |       |   |    |   |   |       |       |   |   |   |   |   |       |   |    |   |   |       |       |   |   |   |   |   |       |   |    |   |   |       |       |   |   |   |   |   |       |   |     |   |   |       |       |   |   |   |   |   |       |   |     |   |   |   |       |   |   |   |   |   |       |   |     |   |   |   |       |       |   |   |   |   |       |   |     |   |   |   |       |       |   |   |   |   |       |   |     |   |   |   |       |       |   |   |   |   |       |   |     |   |   |   |   |       |   |   |   |   |       |   |     |   |   |   |   |       |   |   |   |   |       |   |     |   |   |   |   |       |   |   |   |      |      |   |     |   |   |   |   |   |   |   |   |      |      |   |     |   |   |   |   |   |   |   |   |      |      |   |     |   |   |   |   |   |   |   |   |      |      |   |     |   |   |   |   |   |   |   |   |   |      |   |     |   |   |   |   |   |   |   |   |   |      |   |
| <table border="1"> <thead> <tr> <th colspan="11">SWSL</th> <th>SFSL</th> </tr> <tr> <th colspan="12">0 t - 640 t</th> </tr> <tr> <th colspan="12">85° 85° 75° 65° 55° 45°</th> </tr> <tr> <th>m</th> <th>t</th> <th>t</th> <th>t</th> <th>t</th> <th>t</th> <th>t</th> <th>t</th> <th>t</th> <th>t</th> <th>t</th> <th>t</th> </tr> </thead> <tbody> <tr><td>34</td><td>-</td><td>208,0*</td><td>-</td><td>-</td><td>-</td><td>-</td><td>-</td><td>-</td><td>-</td><td>-</td><td>-</td></tr> <tr><td>38</td><td>-</td><td>202,0*</td><td>-</td><td>-</td><td>-</td><td>-</td><td>-</td><td>-</td><td>-</td><td>-</td><td>-</td></tr> <tr><td>42</td><td>106,0</td><td>216,0</td><td>-</td><td>-</td><td>-</td><td>-</td><td>-</td><td>-</td><td>-</td><td>211,0</td><td>-</td></tr> <tr><td>46</td><td>94,0</td><td>212,0</td><td>-</td><td>-</td><td>-</td><td>-</td><td>-</td><td>-</td><td>-</td><td>211,0</td><td>-</td></tr> <tr><td>50</td><td>84,0</td><td>208,0</td><td>-</td><td>-</td><td>-</td><td>-</td><td>-</td><td>-</td><td>-</td><td>211,0</td><td>-</td></tr> <tr><td>54</td><td>75,0</td><td>205,0</td><td>-</td><td>-</td><td>-</td><td>-</td><td>-</td><td>-</td><td>-</td><td>211,0</td><td>-</td></tr> <tr><td>58</td><td>67,0</td><td>201,0</td><td>-</td><td>-</td><td>-</td><td>-</td><td>-</td><td>-</td><td>-</td><td>211,0</td><td>-</td></tr> <tr><td>62</td><td>60,5</td><td>197,0</td><td>-</td><td>-</td><td>-</td><td>-</td><td>-</td><td>-</td><td>-</td><td>210,0</td><td>-</td></tr> <tr><td>66</td><td>54,0</td><td>193,0</td><td>216,0</td><td>-</td><td>-</td><td>-</td><td>-</td><td>-</td><td>-</td><td>206,0</td><td>-</td></tr> <tr><td>70</td><td>48,8</td><td>179,0</td><td>216,0</td><td>-</td><td>-</td><td>-</td><td>-</td><td>-</td><td>-</td><td>202,0</td><td>-</td></tr> <tr><td>74</td><td>43,8</td><td>164,0</td><td>216,0</td><td>-</td><td>-</td><td>-</td><td>-</td><td>-</td><td>-</td><td>198,0</td><td>-</td></tr> <tr><td>78</td><td>38,5</td><td>150,0</td><td>200,0</td><td>-</td><td>-</td><td>-</td><td>-</td><td>-</td><td>-</td><td>194,0</td><td>-</td></tr> <tr><td>82</td><td>33,8</td><td>137,5</td><td>182,0</td><td>-</td><td>-</td><td>-</td><td>-</td><td>-</td><td>-</td><td>188,0</td><td>-</td></tr> <tr><td>86</td><td>29,7</td><td>123,0</td><td>166,0</td><td>-</td><td>-</td><td>-</td><td>-</td><td>-</td><td>-</td><td>183,0</td><td>-</td></tr> <tr><td>88</td><td>27,8</td><td>115,0</td><td>159,0</td><td>-</td><td>-</td><td>-</td><td>-</td><td>-</td><td>-</td><td>181,0</td><td>-</td></tr> <tr><td>90</td><td>-</td><td>-</td><td>152,0</td><td>184,0</td><td>-</td><td>-</td><td>-</td><td>-</td><td>-</td><td>179,0</td><td>-</td></tr> <tr><td>94</td><td>-</td><td>-</td><td>140,0</td><td>174,0</td><td>-</td><td>-</td><td>-</td><td>-</td><td>-</td><td>169,0</td><td>-</td></tr> <tr><td>98</td><td>-</td><td>-</td><td>129,0</td><td>165,0</td><td>-</td><td>-</td><td>-</td><td>-</td><td>-</td><td>157,0</td><td>-</td></tr> <tr><td>102</td><td>-</td><td>-</td><td>118,0</td><td>152,0</td><td>-</td><td>-</td><td>-</td><td>-</td><td>-</td><td>146,0</td><td>-</td></tr> <tr><td>106</td><td>-</td><td>-</td><td>-</td><td>140,0</td><td>-</td><td>-</td><td>-</td><td>-</td><td>-</td><td>136,0</td><td>-</td></tr> <tr><td>110</td><td>-</td><td>-</td><td>-</td><td>129,0</td><td>-</td><td>-</td><td>-</td><td>-</td><td>-</td><td>127,0</td><td>-</td></tr> <tr><td>112</td><td>-</td><td>-</td><td>-</td><td>124,0</td><td>123,0</td><td>-</td><td>-</td><td>-</td><td>-</td><td>121,0</td><td>-</td></tr> <tr><td>114</td><td>-</td><td>-</td><td>-</td><td>119,0</td><td>120,0</td><td>-</td><td>-</td><td>-</td><td>-</td><td>115,0</td><td>-</td></tr> <tr><td>118</td><td>-</td><td>-</td><td>-</td><td>-</td><td>114,0</td><td>-</td><td>-</td><td>-</td><td>-</td><td>103,0</td><td>-</td></tr> <tr><td>122</td><td>-</td><td>-</td><td>-</td><td>-</td><td>108,0</td><td>-</td><td>-</td><td>-</td><td>-</td><td>92,5</td><td>-</td></tr> <tr><td>124</td><td>-</td><td>-</td><td>-</td><td>-</td><td>105,0</td><td>-</td><td>-</td><td>-</td><td>-</td><td>87,2</td><td>-</td></tr> <tr><td>126</td><td>-</td><td>-</td><td>-</td><td>-</td><td>-</td><td>-</td><td>-</td><td>-</td><td>-</td><td>82,0</td><td>-</td></tr> <tr><td>130</td><td>-</td><td>-</td><td>-</td><td>-</td><td>-</td><td>-</td><td>-</td><td>-</td><td>75,0</td><td>71,5</td><td>-</td></tr> <tr><td>134</td><td>-</td><td>-</td><td>-</td><td>-</td><td>-</td><td>-</td><td>-</td><td>-</td><td>71,0</td><td>62,5</td><td>-</td></tr> <tr><td>138</td><td>-</td><td>-</td><td>-</td><td>-</td><td>-</td><td>-</td><td>-</td><td>-</td><td>-</td><td>57,5</td><td>-</td></tr> <tr><td>142</td><td>-</td><td>-</td><td>-</td><td>-</td><td>-</td><td>-</td><td>-</td><td>-</td><td>-</td><td>49,6</td><td>-</td></tr> </tbody> </table> |       |         |       |        |       |             |   |      |      |       |      | SWSL |  |  |  |  |  |  |  |  |  |  | SFSL | 0 t - 640 t |  |  |  |  |  |  |  |  |  |  |  | 85° 85° 75° 65° 55° 45° |  |  |  |  |  |  |  |  |  |  |  | m | t | t | t | t | t | t | t | t | t | t | t | 34 | - | 208,0* | - | - | - | - | - | - | - | - | - | 38 | - | 202,0* | - | - | - | - | - | - | - | - | - | 42 | 106,0 | 216,0 | - | - | - | - | - | - | - | 211,0 | - | 46 | 94,0  | 212,0 | - | - | - | - | - | - | - | 211,0 | - | 50 | 84,0  | 208,0 | - | - | - | - | - | - | - | 211,0 | - | 54 | 75,0  | 205,0 | - | - | - | - | - | - | - | 211,0 | - | 58 | 67,0 | 201,0 | - | - | - | - | - | - | - | 211,0 | - | 62 | 60,5 | 197,0 | - | - | - | - | - | - | - | 210,0 | - | 66 | 54,0 | 193,0 | 216,0 | - | - | - | - | - | - | 206,0 | - | 70 | 48,8 | 179,0 | 216,0 | - | - | - | - | - | - | 202,0 | - | 74 | 43,8 | 164,0 | 216,0 | - | - | - | - | - | - | 198,0 | - | 78 | 38,5 | 150,0 | 200,0 | - | - | - | - | - | - | 194,0 | - | 82 | 33,8 | 137,5 | 182,0 | - | - | - | - | - | - | 188,0 | - | 86 | 29,7 | 123,0 | 166,0 | - | - | - | - | - | - | 183,0 | - | 88 | 27,8 | 115,0 | 159,0 | - | - | - | - | - | - | 181,0 | - | 90 | - | - | 152,0 | 184,0 | - | - | - | - | - | 179,0 | - | 94 | - | - | 140,0 | 174,0 | - | - | - | - | - | 169,0 | - | 98 | - | - | 129,0 | 165,0 | - | - | - | - | - | 157,0 | - | 102 | - | - | 118,0 | 152,0 | - | - | - | - | - | 146,0 | - | 106 | - | - | - | 140,0 | - | - | - | - | - | 136,0 | - | 110 | - | - | - | 129,0 | -     | - | - | - | - | 127,0 | - | 112 | - | - | - | 124,0 | 123,0 | - | - | - | - | 121,0 | - | 114 | - | - | - | 119,0 | 120,0 | - | - | - | - | 115,0 | - | 118 | - | - | - | - | 114,0 | - | - | - | - | 103,0 | - | 122 | - | - | - | - | 108,0 | - | - | - | - | 92,5  | - | 124 | - | - | - | - | 105,0 | - | - | - | -    | 87,2 | - | 126 | - | - | - | - | - | - | - | - | -    | 82,0 | - | 130 | - | - | - | - | - | - | - | - | 75,0 | 71,5 | - | 134 | - | - | - | - | - | - | - | - | 71,0 | 62,5 | - | 138 | - | - | - | - | - | - | - | - | - | 57,5 | - | 142 | - | - | - | - | - | - | - | - | - | 49,6 | - |
| SWSL  |       |         |       |        |       |             |   |      |      |       | SFSL |      |  |  |  |  |  |  |  |  |  |  |      |             |  |  |  |  |  |  |  |  |  |  |  |                         |  |  |  |  |  |  |  |  |  |  |  |   |   |   |   |   |   |   |   |   |   |   |   |    |   |        |   |   |   |   |   |   |   |   |   |    |   |        |   |   |   |   |   |   |   |   |   |    |       |       |   |   |   |   |   |   |   |       |   |    |       |       |   |   |   |   |   |   |   |       |   |    |       |       |   |   |   |   |   |   |   |       |   |    |       |       |   |   |   |   |   |   |   |       |   |    |      |       |   |   |   |   |   |   |   |       |   |    |      |       |   |   |   |   |   |   |   |       |   |    |      |       |       |   |   |   |   |   |   |       |   |    |      |       |       |   |   |   |   |   |   |       |   |    |      |       |       |   |   |   |   |   |   |       |   |    |      |       |       |   |   |   |   |   |   |       |   |    |      |       |       |   |   |   |   |   |   |       |   |    |      |       |       |   |   |   |   |   |   |       |   |    |      |       |       |   |   |   |   |   |   |       |   |    |   |   |       |       |   |   |   |   |   |       |   |    |   |   |       |       |   |   |   |   |   |       |   |    |   |   |       |       |   |   |   |   |   |       |   |     |   |   |       |       |   |   |   |   |   |       |   |     |   |   |   |       |   |   |   |   |   |       |   |     |   |   |   |       |       |   |   |   |   |       |   |     |   |   |   |       |       |   |   |   |   |       |   |     |   |   |   |       |       |   |   |   |   |       |   |     |   |   |   |   |       |   |   |   |   |       |   |     |   |   |   |   |       |   |   |   |   |       |   |     |   |   |   |   |       |   |   |   |      |      |   |     |   |   |   |   |   |   |   |   |      |      |   |     |   |   |   |   |   |   |   |   |      |      |   |     |   |   |   |   |   |   |   |   |      |      |   |     |   |   |   |   |   |   |   |   |   |      |   |     |   |   |   |   |   |   |   |   |   |      |   |
| 0 t - 640 t   |       |         |       |        |       |             |   |      |      |       |      |      |  |  |  |  |  |  |  |  |  |  |      |             |  |  |  |  |  |  |  |  |  |  |  |                         |  |  |  |  |  |  |  |  |  |  |  |   |   |   |   |   |   |   |   |   |   |   |   |    |   |        |   |   |   |   |   |   |   |   |   |    |   |        |   |   |   |   |   |   |   |   |   |    |       |       |   |   |   |   |   |   |   |       |   |    |       |       |   |   |   |   |   |   |   |       |   |    |       |       |   |   |   |   |   |   |   |       |   |    |       |       |   |   |   |   |   |   |   |       |   |    |      |       |   |   |   |   |   |   |   |       |   |    |      |       |   |   |   |   |   |   |   |       |   |    |      |       |       |   |   |   |   |   |   |       |   |    |      |       |       |   |   |   |   |   |   |       |   |    |      |       |       |   |   |   |   |   |   |       |   |    |      |       |       |   |   |   |   |   |   |       |   |    |      |       |       |   |   |   |   |   |   |       |   |    |      |       |       |   |   |   |   |   |   |       |   |    |      |       |       |   |   |   |   |   |   |       |   |    |   |   |       |       |   |   |   |   |   |       |   |    |   |   |       |       |   |   |   |   |   |       |   |    |   |   |       |       |   |   |   |   |   |       |   |     |   |   |       |       |   |   |   |   |   |       |   |     |   |   |   |       |   |   |   |   |   |       |   |     |   |   |   |       |       |   |   |   |   |       |   |     |   |   |   |       |       |   |   |   |   |       |   |     |   |   |   |       |       |   |   |   |   |       |   |     |   |   |   |   |       |   |   |   |   |       |   |     |   |   |   |   |       |   |   |   |   |       |   |     |   |   |   |   |       |   |   |   |      |      |   |     |   |   |   |   |   |   |   |   |      |      |   |     |   |   |   |   |   |   |   |   |      |      |   |     |   |   |   |   |   |   |   |   |      |      |   |     |   |   |   |   |   |   |   |   |   |      |   |     |   |   |   |   |   |   |   |   |   |      |   |
| 85° 85° 75° 65° 55° 45°   |       |         |       |        |       |             |   |      |      |       |      |      |  |  |  |  |  |  |  |  |  |  |      |             |  |  |  |  |  |  |  |  |  |  |  |                         |  |  |  |  |  |  |  |  |  |  |  |   |   |   |   |   |   |   |   |   |   |   |   |    |   |        |   |   |   |   |   |   |   |   |   |    |   |        |   |   |   |   |   |   |   |   |   |    |       |       |   |   |   |   |   |   |   |       |   |    |       |       |   |   |   |   |   |   |   |       |   |    |       |       |   |   |   |   |   |   |   |       |   |    |       |       |   |   |   |   |   |   |   |       |   |    |      |       |   |   |   |   |   |   |   |       |   |    |      |       |   |   |   |   |   |   |   |       |   |    |      |       |       |   |   |   |   |   |   |       |   |    |      |       |       |   |   |   |   |   |   |       |   |    |      |       |       |   |   |   |   |   |   |       |   |    |      |       |       |   |   |   |   |   |   |       |   |    |      |       |       |   |   |   |   |   |   |       |   |    |      |       |       |   |   |   |   |   |   |       |   |    |      |       |       |   |   |   |   |   |   |       |   |    |   |   |       |       |   |   |   |   |   |       |   |    |   |   |       |       |   |   |   |   |   |       |   |    |   |   |       |       |   |   |   |   |   |       |   |     |   |   |       |       |   |   |   |   |   |       |   |     |   |   |   |       |   |   |   |   |   |       |   |     |   |   |   |       |       |   |   |   |   |       |   |     |   |   |   |       |       |   |   |   |   |       |   |     |   |   |   |       |       |   |   |   |   |       |   |     |   |   |   |   |       |   |   |   |   |       |   |     |   |   |   |   |       |   |   |   |   |       |   |     |   |   |   |   |       |   |   |   |      |      |   |     |   |   |   |   |   |   |   |   |      |      |   |     |   |   |   |   |   |   |   |   |      |      |   |     |   |   |   |   |   |   |   |   |      |      |   |     |   |   |   |   |   |   |   |   |   |      |   |     |   |   |   |   |   |   |   |   |   |      |   |
| m   | t     | t       | t     | t      | t     | t           | t | t    | t    | t     | t    |      |  |  |  |  |  |  |  |  |  |  |      |             |  |  |  |  |  |  |  |  |  |  |  |                         |  |  |  |  |  |  |  |  |  |  |  |   |   |   |   |   |   |   |   |   |   |   |   |    |   |        |   |   |   |   |   |   |   |   |   |    |   |        |   |   |   |   |   |   |   |   |   |    |       |       |   |   |   |   |   |   |   |       |   |    |       |       |   |   |   |   |   |   |   |       |   |    |       |       |   |   |   |   |   |   |   |       |   |    |       |       |   |   |   |   |   |   |   |       |   |    |      |       |   |   |   |   |   |   |   |       |   |    |      |       |   |   |   |   |   |   |   |       |   |    |      |       |       |   |   |   |   |   |   |       |   |    |      |       |       |   |   |   |   |   |   |       |   |    |      |       |       |   |   |   |   |   |   |       |   |    |      |       |       |   |   |   |   |   |   |       |   |    |      |       |       |   |   |   |   |   |   |       |   |    |      |       |       |   |   |   |   |   |   |       |   |    |      |       |       |   |   |   |   |   |   |       |   |    |   |   |       |       |   |   |   |   |   |       |   |    |   |   |       |       |   |   |   |   |   |       |   |    |   |   |       |       |   |   |   |   |   |       |   |     |   |   |       |       |   |   |   |   |   |       |   |     |   |   |   |       |   |   |   |   |   |       |   |     |   |   |   |       |       |   |   |   |   |       |   |     |   |   |   |       |       |   |   |   |   |       |   |     |   |   |   |       |       |   |   |   |   |       |   |     |   |   |   |   |       |   |   |   |   |       |   |     |   |   |   |   |       |   |   |   |   |       |   |     |   |   |   |   |       |   |   |   |      |      |   |     |   |   |   |   |   |   |   |   |      |      |   |     |   |   |   |   |   |   |   |   |      |      |   |     |   |   |   |   |   |   |   |   |      |      |   |     |   |   |   |   |   |   |   |   |   |      |   |     |   |   |   |   |   |   |   |   |   |      |   |
| 34  | -     | 208,0*  | -     | -      | -     | -           | - | -    | -    | -     | -    |      |  |  |  |  |  |  |  |  |  |  |      |             |  |  |  |  |  |  |  |  |  |  |  |                         |  |  |  |  |  |  |  |  |  |  |  |   |   |   |   |   |   |   |   |   |   |   |   |    |   |        |   |   |   |   |   |   |   |   |   |    |   |        |   |   |   |   |   |   |   |   |   |    |       |       |   |   |   |   |   |   |   |       |   |    |       |       |   |   |   |   |   |   |   |       |   |    |       |       |   |   |   |   |   |   |   |       |   |    |       |       |   |   |   |   |   |   |   |       |   |    |      |       |   |   |   |   |   |   |   |       |   |    |      |       |   |   |   |   |   |   |   |       |   |    |      |       |       |   |   |   |   |   |   |       |   |    |      |       |       |   |   |   |   |   |   |       |   |    |      |       |       |   |   |   |   |   |   |       |   |    |      |       |       |   |   |   |   |   |   |       |   |    |      |       |       |   |   |   |   |   |   |       |   |    |      |       |       |   |   |   |   |   |   |       |   |    |      |       |       |   |   |   |   |   |   |       |   |    |   |   |       |       |   |   |   |   |   |       |   |    |   |   |       |       |   |   |   |   |   |       |   |    |   |   |       |       |   |   |   |   |   |       |   |     |   |   |       |       |   |   |   |   |   |       |   |     |   |   |   |       |   |   |   |   |   |       |   |     |   |   |   |       |       |   |   |   |   |       |   |     |   |   |   |       |       |   |   |   |   |       |   |     |   |   |   |       |       |   |   |   |   |       |   |     |   |   |   |   |       |   |   |   |   |       |   |     |   |   |   |   |       |   |   |   |   |       |   |     |   |   |   |   |       |   |   |   |      |      |   |     |   |   |   |   |   |   |   |   |      |      |   |     |   |   |   |   |   |   |   |   |      |      |   |     |   |   |   |   |   |   |   |   |      |      |   |     |   |   |   |   |   |   |   |   |   |      |   |     |   |   |   |   |   |   |   |   |   |      |   |
| 38  | -     | 202,0*  | -     | -      | -     | -           | - | -    | -    | -     | -    |      |  |  |  |  |  |  |  |  |  |  |      |             |  |  |  |  |  |  |  |  |  |  |  |                         |  |  |  |  |  |  |  |  |  |  |  |   |   |   |   |   |   |   |   |   |   |   |   |    |   |        |   |   |   |   |   |   |   |   |   |    |   |        |   |   |   |   |   |   |   |   |   |    |       |       |   |   |   |   |   |   |   |       |   |    |       |       |   |   |   |   |   |   |   |       |   |    |       |       |   |   |   |   |   |   |   |       |   |    |       |       |   |   |   |   |   |   |   |       |   |    |      |       |   |   |   |   |   |   |   |       |   |    |      |       |   |   |   |   |   |   |   |       |   |    |      |       |       |   |   |   |   |   |   |       |   |    |      |       |       |   |   |   |   |   |   |       |   |    |      |       |       |   |   |   |   |   |   |       |   |    |      |       |       |   |   |   |   |   |   |       |   |    |      |       |       |   |   |   |   |   |   |       |   |    |      |       |       |   |   |   |   |   |   |       |   |    |      |       |       |   |   |   |   |   |   |       |   |    |   |   |       |       |   |   |   |   |   |       |   |    |   |   |       |       |   |   |   |   |   |       |   |    |   |   |       |       |   |   |   |   |   |       |   |     |   |   |       |       |   |   |   |   |   |       |   |     |   |   |   |       |   |   |   |   |   |       |   |     |   |   |   |       |       |   |   |   |   |       |   |     |   |   |   |       |       |   |   |   |   |       |   |     |   |   |   |       |       |   |   |   |   |       |   |     |   |   |   |   |       |   |   |   |   |       |   |     |   |   |   |   |       |   |   |   |   |       |   |     |   |   |   |   |       |   |   |   |      |      |   |     |   |   |   |   |   |   |   |   |      |      |   |     |   |   |   |   |   |   |   |   |      |      |   |     |   |   |   |   |   |   |   |   |      |      |   |     |   |   |   |   |   |   |   |   |   |      |   |     |   |   |   |   |   |   |   |   |   |      |   |
| 42  | 106,0 | 216,0   | -     | -      | -     | -           | - | -    | -    | 211,0 | -    |      |  |  |  |  |  |  |  |  |  |  |      |             |  |  |  |  |  |  |  |  |  |  |  |                         |  |  |  |  |  |  |  |  |  |  |  |   |   |   |   |   |   |   |   |   |   |   |   |    |   |        |   |   |   |   |   |   |   |   |   |    |   |        |   |   |   |   |   |   |   |   |   |    |       |       |   |   |   |   |   |   |   |       |   |    |       |       |   |   |   |   |   |   |   |       |   |    |       |       |   |   |   |   |   |   |   |       |   |    |       |       |   |   |   |   |   |   |   |       |   |    |      |       |   |   |   |   |   |   |   |       |   |    |      |       |   |   |   |   |   |   |   |       |   |    |      |       |       |   |   |   |   |   |   |       |   |    |      |       |       |   |   |   |   |   |   |       |   |    |      |       |       |   |   |   |   |   |   |       |   |    |      |       |       |   |   |   |   |   |   |       |   |    |      |       |       |   |   |   |   |   |   |       |   |    |      |       |       |   |   |   |   |   |   |       |   |    |      |       |       |   |   |   |   |   |   |       |   |    |   |   |       |       |   |   |   |   |   |       |   |    |   |   |       |       |   |   |   |   |   |       |   |    |   |   |       |       |   |   |   |   |   |       |   |     |   |   |       |       |   |   |   |   |   |       |   |     |   |   |   |       |   |   |   |   |   |       |   |     |   |   |   |       |       |   |   |   |   |       |   |     |   |   |   |       |       |   |   |   |   |       |   |     |   |   |   |       |       |   |   |   |   |       |   |     |   |   |   |   |       |   |   |   |   |       |   |     |   |   |   |   |       |   |   |   |   |       |   |     |   |   |   |   |       |   |   |   |      |      |   |     |   |   |   |   |   |   |   |   |      |      |   |     |   |   |   |   |   |   |   |   |      |      |   |     |   |   |   |   |   |   |   |   |      |      |   |     |   |   |   |   |   |   |   |   |   |      |   |     |   |   |   |   |   |   |   |   |   |      |   |
| 46  | 94,0  | 212,0   | -     | -      | -     | -           | - | -    | -    | 211,0 | -    |      |  |  |  |  |  |  |  |  |  |  |      |             |  |  |  |  |  |  |  |  |  |  |  |                         |  |  |  |  |  |  |  |  |  |  |  |   |   |   |   |   |   |   |   |   |   |   |   |    |   |        |   |   |   |   |   |   |   |   |   |    |   |        |   |   |   |   |   |   |   |   |   |    |       |       |   |   |   |   |   |   |   |       |   |    |       |       |   |   |   |   |   |   |   |       |   |    |       |       |   |   |   |   |   |   |   |       |   |    |       |       |   |   |   |   |   |   |   |       |   |    |      |       |   |   |   |   |   |   |   |       |   |    |      |       |   |   |   |   |   |   |   |       |   |    |      |       |       |   |   |   |   |   |   |       |   |    |      |       |       |   |   |   |   |   |   |       |   |    |      |       |       |   |   |   |   |   |   |       |   |    |      |       |       |   |   |   |   |   |   |       |   |    |      |       |       |   |   |   |   |   |   |       |   |    |      |       |       |   |   |   |   |   |   |       |   |    |      |       |       |   |   |   |   |   |   |       |   |    |   |   |       |       |   |   |   |   |   |       |   |    |   |   |       |       |   |   |   |   |   |       |   |    |   |   |       |       |   |   |   |   |   |       |   |     |   |   |       |       |   |   |   |   |   |       |   |     |   |   |   |       |   |   |   |   |   |       |   |     |   |   |   |       |       |   |   |   |   |       |   |     |   |   |   |       |       |   |   |   |   |       |   |     |   |   |   |       |       |   |   |   |   |       |   |     |   |   |   |   |       |   |   |   |   |       |   |     |   |   |   |   |       |   |   |   |   |       |   |     |   |   |   |   |       |   |   |   |      |      |   |     |   |   |   |   |   |   |   |   |      |      |   |     |   |   |   |   |   |   |   |   |      |      |   |     |   |   |   |   |   |   |   |   |      |      |   |     |   |   |   |   |   |   |   |   |   |      |   |     |   |   |   |   |   |   |   |   |   |      |   |
| 50  | 84,0  | 208,0   | -     | -      | -     | -           | - | -    | -    | 211,0 | -    |      |  |  |  |  |  |  |  |  |  |  |      |             |  |  |  |  |  |  |  |  |  |  |  |                         |  |  |  |  |  |  |  |  |  |  |  |   |   |   |   |   |   |   |   |   |   |   |   |    |   |        |   |   |   |   |   |   |   |   |   |    |   |        |   |   |   |   |   |   |   |   |   |    |       |       |   |   |   |   |   |   |   |       |   |    |       |       |   |   |   |   |   |   |   |       |   |    |       |       |   |   |   |   |   |   |   |       |   |    |       |       |   |   |   |   |   |   |   |       |   |    |      |       |   |   |   |   |   |   |   |       |   |    |      |       |   |   |   |   |   |   |   |       |   |    |      |       |       |   |   |   |   |   |   |       |   |    |      |       |       |   |   |   |   |   |   |       |   |    |      |       |       |   |   |   |   |   |   |       |   |    |      |       |       |   |   |   |   |   |   |       |   |    |      |       |       |   |   |   |   |   |   |       |   |    |      |       |       |   |   |   |   |   |   |       |   |    |      |       |       |   |   |   |   |   |   |       |   |    |   |   |       |       |   |   |   |   |   |       |   |    |   |   |       |       |   |   |   |   |   |       |   |    |   |   |       |       |   |   |   |   |   |       |   |     |   |   |       |       |   |   |   |   |   |       |   |     |   |   |   |       |   |   |   |   |   |       |   |     |   |   |   |       |       |   |   |   |   |       |   |     |   |   |   |       |       |   |   |   |   |       |   |     |   |   |   |       |       |   |   |   |   |       |   |     |   |   |   |   |       |   |   |   |   |       |   |     |   |   |   |   |       |   |   |   |   |       |   |     |   |   |   |   |       |   |   |   |      |      |   |     |   |   |   |   |   |   |   |   |      |      |   |     |   |   |   |   |   |   |   |   |      |      |   |     |   |   |   |   |   |   |   |   |      |      |   |     |   |   |   |   |   |   |   |   |   |      |   |     |   |   |   |   |   |   |   |   |   |      |   |
| 54  | 75,0  | 205,0   | -     | -      | -     | -           | - | -    | -    | 211,0 | -    |      |  |  |  |  |  |  |  |  |  |  |      |             |  |  |  |  |  |  |  |  |  |  |  |                         |  |  |  |  |  |  |  |  |  |  |  |   |   |   |   |   |   |   |   |   |   |   |   |    |   |        |   |   |   |   |   |   |   |   |   |    |   |        |   |   |   |   |   |   |   |   |   |    |       |       |   |   |   |   |   |   |   |       |   |    |       |       |   |   |   |   |   |   |   |       |   |    |       |       |   |   |   |   |   |   |   |       |   |    |       |       |   |   |   |   |   |   |   |       |   |    |      |       |   |   |   |   |   |   |   |       |   |    |      |       |   |   |   |   |   |   |   |       |   |    |      |       |       |   |   |   |   |   |   |       |   |    |      |       |       |   |   |   |   |   |   |       |   |    |      |       |       |   |   |   |   |   |   |       |   |    |      |       |       |   |   |   |   |   |   |       |   |    |      |       |       |   |   |   |   |   |   |       |   |    |      |       |       |   |   |   |   |   |   |       |   |    |      |       |       |   |   |   |   |   |   |       |   |    |   |   |       |       |   |   |   |   |   |       |   |    |   |   |       |       |   |   |   |   |   |       |   |    |   |   |       |       |   |   |   |   |   |       |   |     |   |   |       |       |   |   |   |   |   |       |   |     |   |   |   |       |   |   |   |   |   |       |   |     |   |   |   |       |       |   |   |   |   |       |   |     |   |   |   |       |       |   |   |   |   |       |   |     |   |   |   |       |       |   |   |   |   |       |   |     |   |   |   |   |       |   |   |   |   |       |   |     |   |   |   |   |       |   |   |   |   |       |   |     |   |   |   |   |       |   |   |   |      |      |   |     |   |   |   |   |   |   |   |   |      |      |   |     |   |   |   |   |   |   |   |   |      |      |   |     |   |   |   |   |   |   |   |   |      |      |   |     |   |   |   |   |   |   |   |   |   |      |   |     |   |   |   |   |   |   |   |   |   |      |   |
| 58  | 67,0  | 201,0   | -     | -      | -     | -           | - | -    | -    | 211,0 | -    |      |  |  |  |  |  |  |  |  |  |  |      |             |  |  |  |  |  |  |  |  |  |  |  |                         |  |  |  |  |  |  |  |  |  |  |  |   |   |   |   |   |   |   |   |   |   |   |   |    |   |        |   |   |   |   |   |   |   |   |   |    |   |        |   |   |   |   |   |   |   |   |   |    |       |       |   |   |   |   |   |   |   |       |   |    |       |       |   |   |   |   |   |   |   |       |   |    |       |       |   |   |   |   |   |   |   |       |   |    |       |       |   |   |   |   |   |   |   |       |   |    |      |       |   |   |   |   |   |   |   |       |   |    |      |       |   |   |   |   |   |   |   |       |   |    |      |       |       |   |   |   |   |   |   |       |   |    |      |       |       |   |   |   |   |   |   |       |   |    |      |       |       |   |   |   |   |   |   |       |   |    |      |       |       |   |   |   |   |   |   |       |   |    |      |       |       |   |   |   |   |   |   |       |   |    |      |       |       |   |   |   |   |   |   |       |   |    |      |       |       |   |   |   |   |   |   |       |   |    |   |   |       |       |   |   |   |   |   |       |   |    |   |   |       |       |   |   |   |   |   |       |   |    |   |   |       |       |   |   |   |   |   |       |   |     |   |   |       |       |   |   |   |   |   |       |   |     |   |   |   |       |   |   |   |   |   |       |   |     |   |   |   |       |       |   |   |   |   |       |   |     |   |   |   |       |       |   |   |   |   |       |   |     |   |   |   |       |       |   |   |   |   |       |   |     |   |   |   |   |       |   |   |   |   |       |   |     |   |   |   |   |       |   |   |   |   |       |   |     |   |   |   |   |       |   |   |   |      |      |   |     |   |   |   |   |   |   |   |   |      |      |   |     |   |   |   |   |   |   |   |   |      |      |   |     |   |   |   |   |   |   |   |   |      |      |   |     |   |   |   |   |   |   |   |   |   |      |   |     |   |   |   |   |   |   |   |   |   |      |   |
| 62  | 60,5  | 197,0   | -     | -      | -     | -           | - | -    | -    | 210,0 | -    |      |  |  |  |  |  |  |  |  |  |  |      |             |  |  |  |  |  |  |  |  |  |  |  |                         |  |  |  |  |  |  |  |  |  |  |  |   |   |   |   |   |   |   |   |   |   |   |   |    |   |        |   |   |   |   |   |   |   |   |   |    |   |        |   |   |   |   |   |   |   |   |   |    |       |       |   |   |   |   |   |   |   |       |   |    |       |       |   |   |   |   |   |   |   |       |   |    |       |       |   |   |   |   |   |   |   |       |   |    |       |       |   |   |   |   |   |   |   |       |   |    |      |       |   |   |   |   |   |   |   |       |   |    |      |       |   |   |   |   |   |   |   |       |   |    |      |       |       |   |   |   |   |   |   |       |   |    |      |       |       |   |   |   |   |   |   |       |   |    |      |       |       |   |   |   |   |   |   |       |   |    |      |       |       |   |   |   |   |   |   |       |   |    |      |       |       |   |   |   |   |   |   |       |   |    |      |       |       |   |   |   |   |   |   |       |   |    |      |       |       |   |   |   |   |   |   |       |   |    |   |   |       |       |   |   |   |   |   |       |   |    |   |   |       |       |   |   |   |   |   |       |   |    |   |   |       |       |   |   |   |   |   |       |   |     |   |   |       |       |   |   |   |   |   |       |   |     |   |   |   |       |   |   |   |   |   |       |   |     |   |   |   |       |       |   |   |   |   |       |   |     |   |   |   |       |       |   |   |   |   |       |   |     |   |   |   |       |       |   |   |   |   |       |   |     |   |   |   |   |       |   |   |   |   |       |   |     |   |   |   |   |       |   |   |   |   |       |   |     |   |   |   |   |       |   |   |   |      |      |   |     |   |   |   |   |   |   |   |   |      |      |   |     |   |   |   |   |   |   |   |   |      |      |   |     |   |   |   |   |   |   |   |   |      |      |   |     |   |   |   |   |   |   |   |   |   |      |   |     |   |   |   |   |   |   |   |   |   |      |   |
| 66  | 54,0  | 193,0   | 216,0 | -      | -     | -           | - | -    | -    | 206,0 | -    |      |  |  |  |  |  |  |  |  |  |  |      |             |  |  |  |  |  |  |  |  |  |  |  |                         |  |  |  |  |  |  |  |  |  |  |  |   |   |   |   |   |   |   |   |   |   |   |   |    |   |        |   |   |   |   |   |   |   |   |   |    |   |        |   |   |   |   |   |   |   |   |   |    |       |       |   |   |   |   |   |   |   |       |   |    |       |       |   |   |   |   |   |   |   |       |   |    |       |       |   |   |   |   |   |   |   |       |   |    |       |       |   |   |   |   |   |   |   |       |   |    |      |       |   |   |   |   |   |   |   |       |   |    |      |       |   |   |   |   |   |   |   |       |   |    |      |       |       |   |   |   |   |   |   |       |   |    |      |       |       |   |   |   |   |   |   |       |   |    |      |       |       |   |   |   |   |   |   |       |   |    |      |       |       |   |   |   |   |   |   |       |   |    |      |       |       |   |   |   |   |   |   |       |   |    |      |       |       |   |   |   |   |   |   |       |   |    |      |       |       |   |   |   |   |   |   |       |   |    |   |   |       |       |   |   |   |   |   |       |   |    |   |   |       |       |   |   |   |   |   |       |   |    |   |   |       |       |   |   |   |   |   |       |   |     |   |   |       |       |   |   |   |   |   |       |   |     |   |   |   |       |   |   |   |   |   |       |   |     |   |   |   |       |       |   |   |   |   |       |   |     |   |   |   |       |       |   |   |   |   |       |   |     |   |   |   |       |       |   |   |   |   |       |   |     |   |   |   |   |       |   |   |   |   |       |   |     |   |   |   |   |       |   |   |   |   |       |   |     |   |   |   |   |       |   |   |   |      |      |   |     |   |   |   |   |   |   |   |   |      |      |   |     |   |   |   |   |   |   |   |   |      |      |   |     |   |   |   |   |   |   |   |   |      |      |   |     |   |   |   |   |   |   |   |   |   |      |   |     |   |   |   |   |   |   |   |   |   |      |   |
| 70  | 48,8  | 179,0   | 216,0 | -      | -     | -           | - | -    | -    | 202,0 | -    |      |  |  |  |  |  |  |  |  |  |  |      |             |  |  |  |  |  |  |  |  |  |  |  |                         |  |  |  |  |  |  |  |  |  |  |  |   |   |   |   |   |   |   |   |   |   |   |   |    |   |        |   |   |   |   |   |   |   |   |   |    |   |        |   |   |   |   |   |   |   |   |   |    |       |       |   |   |   |   |   |   |   |       |   |    |       |       |   |   |   |   |   |   |   |       |   |    |       |       |   |   |   |   |   |   |   |       |   |    |       |       |   |   |   |   |   |   |   |       |   |    |      |       |   |   |   |   |   |   |   |       |   |    |      |       |   |   |   |   |   |   |   |       |   |    |      |       |       |   |   |   |   |   |   |       |   |    |      |       |       |   |   |   |   |   |   |       |   |    |      |       |       |   |   |   |   |   |   |       |   |    |      |       |       |   |   |   |   |   |   |       |   |    |      |       |       |   |   |   |   |   |   |       |   |    |      |       |       |   |   |   |   |   |   |       |   |    |      |       |       |   |   |   |   |   |   |       |   |    |   |   |       |       |   |   |   |   |   |       |   |    |   |   |       |       |   |   |   |   |   |       |   |    |   |   |       |       |   |   |   |   |   |       |   |     |   |   |       |       |   |   |   |   |   |       |   |     |   |   |   |       |   |   |   |   |   |       |   |     |   |   |   |       |       |   |   |   |   |       |   |     |   |   |   |       |       |   |   |   |   |       |   |     |   |   |   |       |       |   |   |   |   |       |   |     |   |   |   |   |       |   |   |   |   |       |   |     |   |   |   |   |       |   |   |   |   |       |   |     |   |   |   |   |       |   |   |   |      |      |   |     |   |   |   |   |   |   |   |   |      |      |   |     |   |   |   |   |   |   |   |   |      |      |   |     |   |   |   |   |   |   |   |   |      |      |   |     |   |   |   |   |   |   |   |   |   |      |   |     |   |   |   |   |   |   |   |   |   |      |   |
| 74  | 43,8  | 164,0   | 216,0 | -      | -     | -           | - | -    | -    | 198,0 | -    |      |  |  |  |  |  |  |  |  |  |  |      |             |  |  |  |  |  |  |  |  |  |  |  |                         |  |  |  |  |  |  |  |  |  |  |  |   |   |   |   |   |   |   |   |   |   |   |   |    |   |        |   |   |   |   |   |   |   |   |   |    |   |        |   |   |   |   |   |   |   |   |   |    |       |       |   |   |   |   |   |   |   |       |   |    |       |       |   |   |   |   |   |   |   |       |   |    |       |       |   |   |   |   |   |   |   |       |   |    |       |       |   |   |   |   |   |   |   |       |   |    |      |       |   |   |   |   |   |   |   |       |   |    |      |       |   |   |   |   |   |   |   |       |   |    |      |       |       |   |   |   |   |   |   |       |   |    |      |       |       |   |   |   |   |   |   |       |   |    |      |       |       |   |   |   |   |   |   |       |   |    |      |       |       |   |   |   |   |   |   |       |   |    |      |       |       |   |   |   |   |   |   |       |   |    |      |       |       |   |   |   |   |   |   |       |   |    |      |       |       |   |   |   |   |   |   |       |   |    |   |   |       |       |   |   |   |   |   |       |   |    |   |   |       |       |   |   |   |   |   |       |   |    |   |   |       |       |   |   |   |   |   |       |   |     |   |   |       |       |   |   |   |   |   |       |   |     |   |   |   |       |   |   |   |   |   |       |   |     |   |   |   |       |       |   |   |   |   |       |   |     |   |   |   |       |       |   |   |   |   |       |   |     |   |   |   |       |       |   |   |   |   |       |   |     |   |   |   |   |       |   |   |   |   |       |   |     |   |   |   |   |       |   |   |   |   |       |   |     |   |   |   |   |       |   |   |   |      |      |   |     |   |   |   |   |   |   |   |   |      |      |   |     |   |   |   |   |   |   |   |   |      |      |   |     |   |   |   |   |   |   |   |   |      |      |   |     |   |   |   |   |   |   |   |   |   |      |   |     |   |   |   |   |   |   |   |   |   |      |   |
| 78  | 38,5  | 150,0   | 200,0 | -      | -     | -           | - | -    | -    | 194,0 | -    |      |  |  |  |  |  |  |  |  |  |  |      |             |  |  |  |  |  |  |  |  |  |  |  |                         |  |  |  |  |  |  |  |  |  |  |  |   |   |   |   |   |   |   |   |   |   |   |   |    |   |        |   |   |   |   |   |   |   |   |   |    |   |        |   |   |   |   |   |   |   |   |   |    |       |       |   |   |   |   |   |   |   |       |   |    |       |       |   |   |   |   |   |   |   |       |   |    |       |       |   |   |   |   |   |   |   |       |   |    |       |       |   |   |   |   |   |   |   |       |   |    |      |       |   |   |   |   |   |   |   |       |   |    |      |       |   |   |   |   |   |   |   |       |   |    |      |       |       |   |   |   |   |   |   |       |   |    |      |       |       |   |   |   |   |   |   |       |   |    |      |       |       |   |   |   |   |   |   |       |   |    |      |       |       |   |   |   |   |   |   |       |   |    |      |       |       |   |   |   |   |   |   |       |   |    |      |       |       |   |   |   |   |   |   |       |   |    |      |       |       |   |   |   |   |   |   |       |   |    |   |   |       |       |   |   |   |   |   |       |   |    |   |   |       |       |   |   |   |   |   |       |   |    |   |   |       |       |   |   |   |   |   |       |   |     |   |   |       |       |   |   |   |   |   |       |   |     |   |   |   |       |   |   |   |   |   |       |   |     |   |   |   |       |       |   |   |   |   |       |   |     |   |   |   |       |       |   |   |   |   |       |   |     |   |   |   |       |       |   |   |   |   |       |   |     |   |   |   |   |       |   |   |   |   |       |   |     |   |   |   |   |       |   |   |   |   |       |   |     |   |   |   |   |       |   |   |   |      |      |   |     |   |   |   |   |   |   |   |   |      |      |   |     |   |   |   |   |   |   |   |   |      |      |   |     |   |   |   |   |   |   |   |   |      |      |   |     |   |   |   |   |   |   |   |   |   |      |   |     |   |   |   |   |   |   |   |   |   |      |   |
| 82  | 33,8  | 137,5   | 182,0 | -      | -     | -           | - | -    | -    | 188,0 | -    |      |  |  |  |  |  |  |  |  |  |  |      |             |  |  |  |  |  |  |  |  |  |  |  |                         |  |  |  |  |  |  |  |  |  |  |  |   |   |   |   |   |   |   |   |   |   |   |   |    |   |        |   |   |   |   |   |   |   |   |   |    |   |        |   |   |   |   |   |   |   |   |   |    |       |       |   |   |   |   |   |   |   |       |   |    |       |       |   |   |   |   |   |   |   |       |   |    |       |       |   |   |   |   |   |   |   |       |   |    |       |       |   |   |   |   |   |   |   |       |   |    |      |       |   |   |   |   |   |   |   |       |   |    |      |       |   |   |   |   |   |   |   |       |   |    |      |       |       |   |   |   |   |   |   |       |   |    |      |       |       |   |   |   |   |   |   |       |   |    |      |       |       |   |   |   |   |   |   |       |   |    |      |       |       |   |   |   |   |   |   |       |   |    |      |       |       |   |   |   |   |   |   |       |   |    |      |       |       |   |   |   |   |   |   |       |   |    |      |       |       |   |   |   |   |   |   |       |   |    |   |   |       |       |   |   |   |   |   |       |   |    |   |   |       |       |   |   |   |   |   |       |   |    |   |   |       |       |   |   |   |   |   |       |   |     |   |   |       |       |   |   |   |   |   |       |   |     |   |   |   |       |   |   |   |   |   |       |   |     |   |   |   |       |       |   |   |   |   |       |   |     |   |   |   |       |       |   |   |   |   |       |   |     |   |   |   |       |       |   |   |   |   |       |   |     |   |   |   |   |       |   |   |   |   |       |   |     |   |   |   |   |       |   |   |   |   |       |   |     |   |   |   |   |       |   |   |   |      |      |   |     |   |   |   |   |   |   |   |   |      |      |   |     |   |   |   |   |   |   |   |   |      |      |   |     |   |   |   |   |   |   |   |   |      |      |   |     |   |   |   |   |   |   |   |   |   |      |   |     |   |   |   |   |   |   |   |   |   |      |   |
| 86  | 29,7  | 123,0   | 166,0 | -      | -     | -           | - | -    | -    | 183,0 | -    |      |  |  |  |  |  |  |  |  |  |  |      |             |  |  |  |  |  |  |  |  |  |  |  |                         |  |  |  |  |  |  |  |  |  |  |  |   |   |   |   |   |   |   |   |   |   |   |   |    |   |        |   |   |   |   |   |   |   |   |   |    |   |        |   |   |   |   |   |   |   |   |   |    |       |       |   |   |   |   |   |   |   |       |   |    |       |       |   |   |   |   |   |   |   |       |   |    |       |       |   |   |   |   |   |   |   |       |   |    |       |       |   |   |   |   |   |   |   |       |   |    |      |       |   |   |   |   |   |   |   |       |   |    |      |       |   |   |   |   |   |   |   |       |   |    |      |       |       |   |   |   |   |   |   |       |   |    |      |       |       |   |   |   |   |   |   |       |   |    |      |       |       |   |   |   |   |   |   |       |   |    |      |       |       |   |   |   |   |   |   |       |   |    |      |       |       |   |   |   |   |   |   |       |   |    |      |       |       |   |   |   |   |   |   |       |   |    |      |       |       |   |   |   |   |   |   |       |   |    |   |   |       |       |   |   |   |   |   |       |   |    |   |   |       |       |   |   |   |   |   |       |   |    |   |   |       |       |   |   |   |   |   |       |   |     |   |   |       |       |   |   |   |   |   |       |   |     |   |   |   |       |   |   |   |   |   |       |   |     |   |   |   |       |       |   |   |   |   |       |   |     |   |   |   |       |       |   |   |   |   |       |   |     |   |   |   |       |       |   |   |   |   |       |   |     |   |   |   |   |       |   |   |   |   |       |   |     |   |   |   |   |       |   |   |   |   |       |   |     |   |   |   |   |       |   |   |   |      |      |   |     |   |   |   |   |   |   |   |   |      |      |   |     |   |   |   |   |   |   |   |   |      |      |   |     |   |   |   |   |   |   |   |   |      |      |   |     |   |   |   |   |   |   |   |   |   |      |   |     |   |   |   |   |   |   |   |   |   |      |   |
| 88  | 27,8  | 115,0   | 159,0 | -      | -     | -           | - | -    | -    | 181,0 | -    |      |  |  |  |  |  |  |  |  |  |  |      |             |  |  |  |  |  |  |  |  |  |  |  |                         |  |  |  |  |  |  |  |  |  |  |  |   |   |   |   |   |   |   |   |   |   |   |   |    |   |        |   |   |   |   |   |   |   |   |   |    |   |        |   |   |   |   |   |   |   |   |   |    |       |       |   |   |   |   |   |   |   |       |   |    |       |       |   |   |   |   |   |   |   |       |   |    |       |       |   |   |   |   |   |   |   |       |   |    |       |       |   |   |   |   |   |   |   |       |   |    |      |       |   |   |   |   |   |   |   |       |   |    |      |       |   |   |   |   |   |   |   |       |   |    |      |       |       |   |   |   |   |   |   |       |   |    |      |       |       |   |   |   |   |   |   |       |   |    |      |       |       |   |   |   |   |   |   |       |   |    |      |       |       |   |   |   |   |   |   |       |   |    |      |       |       |   |   |   |   |   |   |       |   |    |      |       |       |   |   |   |   |   |   |       |   |    |      |       |       |   |   |   |   |   |   |       |   |    |   |   |       |       |   |   |   |   |   |       |   |    |   |   |       |       |   |   |   |   |   |       |   |    |   |   |       |       |   |   |   |   |   |       |   |     |   |   |       |       |   |   |   |   |   |       |   |     |   |   |   |       |   |   |   |   |   |       |   |     |   |   |   |       |       |   |   |   |   |       |   |     |   |   |   |       |       |   |   |   |   |       |   |     |   |   |   |       |       |   |   |   |   |       |   |     |   |   |   |   |       |   |   |   |   |       |   |     |   |   |   |   |       |   |   |   |   |       |   |     |   |   |   |   |       |   |   |   |      |      |   |     |   |   |   |   |   |   |   |   |      |      |   |     |   |   |   |   |   |   |   |   |      |      |   |     |   |   |   |   |   |   |   |   |      |      |   |     |   |   |   |   |   |   |   |   |   |      |   |     |   |   |   |   |   |   |   |   |   |      |   |
| 90  | -     | -       | 152,0 | 184,0  | -     | -           | - | -    | -    | 179,0 | -    |      |  |  |  |  |  |  |  |  |  |  |      |             |  |  |  |  |  |  |  |  |  |  |  |                         |  |  |  |  |  |  |  |  |  |  |  |   |   |   |   |   |   |   |   |   |   |   |   |    |   |        |   |   |   |   |   |   |   |   |   |    |   |        |   |   |   |   |   |   |   |   |   |    |       |       |   |   |   |   |   |   |   |       |   |    |       |       |   |   |   |   |   |   |   |       |   |    |       |       |   |   |   |   |   |   |   |       |   |    |       |       |   |   |   |   |   |   |   |       |   |    |      |       |   |   |   |   |   |   |   |       |   |    |      |       |   |   |   |   |   |   |   |       |   |    |      |       |       |   |   |   |   |   |   |       |   |    |      |       |       |   |   |   |   |   |   |       |   |    |      |       |       |   |   |   |   |   |   |       |   |    |      |       |       |   |   |   |   |   |   |       |   |    |      |       |       |   |   |   |   |   |   |       |   |    |      |       |       |   |   |   |   |   |   |       |   |    |      |       |       |   |   |   |   |   |   |       |   |    |   |   |       |       |   |   |   |   |   |       |   |    |   |   |       |       |   |   |   |   |   |       |   |    |   |   |       |       |   |   |   |   |   |       |   |     |   |   |       |       |   |   |   |   |   |       |   |     |   |   |   |       |   |   |   |   |   |       |   |     |   |   |   |       |       |   |   |   |   |       |   |     |   |   |   |       |       |   |   |   |   |       |   |     |   |   |   |       |       |   |   |   |   |       |   |     |   |   |   |   |       |   |   |   |   |       |   |     |   |   |   |   |       |   |   |   |   |       |   |     |   |   |   |   |       |   |   |   |      |      |   |     |   |   |   |   |   |   |   |   |      |      |   |     |   |   |   |   |   |   |   |   |      |      |   |     |   |   |   |   |   |   |   |   |      |      |   |     |   |   |   |   |   |   |   |   |   |      |   |     |   |   |   |   |   |   |   |   |   |      |   |
| 94  | -     | -       | 140,0 | 174,0  | -     | -           | - | -    | -    | 169,0 | -    |      |  |  |  |  |  |  |  |  |  |  |      |             |  |  |  |  |  |  |  |  |  |  |  |                         |  |  |  |  |  |  |  |  |  |  |  |   |   |   |   |   |   |   |   |   |   |   |   |    |   |        |   |   |   |   |   |   |   |   |   |    |   |        |   |   |   |   |   |   |   |   |   |    |       |       |   |   |   |   |   |   |   |       |   |    |       |       |   |   |   |   |   |   |   |       |   |    |       |       |   |   |   |   |   |   |   |       |   |    |       |       |   |   |   |   |   |   |   |       |   |    |      |       |   |   |   |   |   |   |   |       |   |    |      |       |   |   |   |   |   |   |   |       |   |    |      |       |       |   |   |   |   |   |   |       |   |    |      |       |       |   |   |   |   |   |   |       |   |    |      |       |       |   |   |   |   |   |   |       |   |    |      |       |       |   |   |   |   |   |   |       |   |    |      |       |       |   |   |   |   |   |   |       |   |    |      |       |       |   |   |   |   |   |   |       |   |    |      |       |       |   |   |   |   |   |   |       |   |    |   |   |       |       |   |   |   |   |   |       |   |    |   |   |       |       |   |   |   |   |   |       |   |    |   |   |       |       |   |   |   |   |   |       |   |     |   |   |       |       |   |   |   |   |   |       |   |     |   |   |   |       |   |   |   |   |   |       |   |     |   |   |   |       |       |   |   |   |   |       |   |     |   |   |   |       |       |   |   |   |   |       |   |     |   |   |   |       |       |   |   |   |   |       |   |     |   |   |   |   |       |   |   |   |   |       |   |     |   |   |   |   |       |   |   |   |   |       |   |     |   |   |   |   |       |   |   |   |      |      |   |     |   |   |   |   |   |   |   |   |      |      |   |     |   |   |   |   |   |   |   |   |      |      |   |     |   |   |   |   |   |   |   |   |      |      |   |     |   |   |   |   |   |   |   |   |   |      |   |     |   |   |   |   |   |   |   |   |   |      |   |
| 98  | -     | -       | 129,0 | 165,0  | -     | -           | - | -    | -    | 157,0 | -    |      |  |  |  |  |  |  |  |  |  |  |      |             |  |  |  |  |  |  |  |  |  |  |  |                         |  |  |  |  |  |  |  |  |  |  |  |   |   |   |   |   |   |   |   |   |   |   |   |    |   |        |   |   |   |   |   |   |   |   |   |    |   |        |   |   |   |   |   |   |   |   |   |    |       |       |   |   |   |   |   |   |   |       |   |    |       |       |   |   |   |   |   |   |   |       |   |    |       |       |   |   |   |   |   |   |   |       |   |    |       |       |   |   |   |   |   |   |   |       |   |    |      |       |   |   |   |   |   |   |   |       |   |    |      |       |   |   |   |   |   |   |   |       |   |    |      |       |       |   |   |   |   |   |   |       |   |    |      |       |       |   |   |   |   |   |   |       |   |    |      |       |       |   |   |   |   |   |   |       |   |    |      |       |       |   |   |   |   |   |   |       |   |    |      |       |       |   |   |   |   |   |   |       |   |    |      |       |       |   |   |   |   |   |   |       |   |    |      |       |       |   |   |   |   |   |   |       |   |    |   |   |       |       |   |   |   |   |   |       |   |    |   |   |       |       |   |   |   |   |   |       |   |    |   |   |       |       |   |   |   |   |   |       |   |     |   |   |       |       |   |   |   |   |   |       |   |     |   |   |   |       |   |   |   |   |   |       |   |     |   |   |   |       |       |   |   |   |   |       |   |     |   |   |   |       |       |   |   |   |   |       |   |     |   |   |   |       |       |   |   |   |   |       |   |     |   |   |   |   |       |   |   |   |   |       |   |     |   |   |   |   |       |   |   |   |   |       |   |     |   |   |   |   |       |   |   |   |      |      |   |     |   |   |   |   |   |   |   |   |      |      |   |     |   |   |   |   |   |   |   |   |      |      |   |     |   |   |   |   |   |   |   |   |      |      |   |     |   |   |   |   |   |   |   |   |   |      |   |     |   |   |   |   |   |   |   |   |   |      |   |
| 102   | -     | -       | 118,0 | 152,0  | -     | -           | - | -    | -    | 146,0 | -    |      |  |  |  |  |  |  |  |  |  |  |      |             |  |  |  |  |  |  |  |  |  |  |  |                         |  |  |  |  |  |  |  |  |  |  |  |   |   |   |   |   |   |   |   |   |   |   |   |    |   |        |   |   |   |   |   |   |   |   |   |    |   |        |   |   |   |   |   |   |   |   |   |    |       |       |   |   |   |   |   |   |   |       |   |    |       |       |   |   |   |   |   |   |   |       |   |    |       |       |   |   |   |   |   |   |   |       |   |    |       |       |   |   |   |   |   |   |   |       |   |    |      |       |   |   |   |   |   |   |   |       |   |    |      |       |   |   |   |   |   |   |   |       |   |    |      |       |       |   |   |   |   |   |   |       |   |    |      |       |       |   |   |   |   |   |   |       |   |    |      |       |       |   |   |   |   |   |   |       |   |    |      |       |       |   |   |   |   |   |   |       |   |    |      |       |       |   |   |   |   |   |   |       |   |    |      |       |       |   |   |   |   |   |   |       |   |    |      |       |       |   |   |   |   |   |   |       |   |    |   |   |       |       |   |   |   |   |   |       |   |    |   |   |       |       |   |   |   |   |   |       |   |    |   |   |       |       |   |   |   |   |   |       |   |     |   |   |       |       |   |   |   |   |   |       |   |     |   |   |   |       |   |   |   |   |   |       |   |     |   |   |   |       |       |   |   |   |   |       |   |     |   |   |   |       |       |   |   |   |   |       |   |     |   |   |   |       |       |   |   |   |   |       |   |     |   |   |   |   |       |   |   |   |   |       |   |     |   |   |   |   |       |   |   |   |   |       |   |     |   |   |   |   |       |   |   |   |      |      |   |     |   |   |   |   |   |   |   |   |      |      |   |     |   |   |   |   |   |   |   |   |      |      |   |     |   |   |   |   |   |   |   |   |      |      |   |     |   |   |   |   |   |   |   |   |   |      |   |     |   |   |   |   |   |   |   |   |   |      |   |
| 106   | -     | -       | -     | 140,0  | -     | -           | - | -    | -    | 136,0 | -    |      |  |  |  |  |  |  |  |  |  |  |      |             |  |  |  |  |  |  |  |  |  |  |  |                         |  |  |  |  |  |  |  |  |  |  |  |   |   |   |   |   |   |   |   |   |   |   |   |    |   |        |   |   |   |   |   |   |   |   |   |    |   |        |   |   |   |   |   |   |   |   |   |    |       |       |   |   |   |   |   |   |   |       |   |    |       |       |   |   |   |   |   |   |   |       |   |    |       |       |   |   |   |   |   |   |   |       |   |    |       |       |   |   |   |   |   |   |   |       |   |    |      |       |   |   |   |   |   |   |   |       |   |    |      |       |   |   |   |   |   |   |   |       |   |    |      |       |       |   |   |   |   |   |   |       |   |    |      |       |       |   |   |   |   |   |   |       |   |    |      |       |       |   |   |   |   |   |   |       |   |    |      |       |       |   |   |   |   |   |   |       |   |    |      |       |       |   |   |   |   |   |   |       |   |    |      |       |       |   |   |   |   |   |   |       |   |    |      |       |       |   |   |   |   |   |   |       |   |    |   |   |       |       |   |   |   |   |   |       |   |    |   |   |       |       |   |   |   |   |   |       |   |    |   |   |       |       |   |   |   |   |   |       |   |     |   |   |       |       |   |   |   |   |   |       |   |     |   |   |   |       |   |   |   |   |   |       |   |     |   |   |   |       |       |   |   |   |   |       |   |     |   |   |   |       |       |   |   |   |   |       |   |     |   |   |   |       |       |   |   |   |   |       |   |     |   |   |   |   |       |   |   |   |   |       |   |     |   |   |   |   |       |   |   |   |   |       |   |     |   |   |   |   |       |   |   |   |      |      |   |     |   |   |   |   |   |   |   |   |      |      |   |     |   |   |   |   |   |   |   |   |      |      |   |     |   |   |   |   |   |   |   |   |      |      |   |     |   |   |   |   |   |   |   |   |   |      |   |     |   |   |   |   |   |   |   |   |   |      |   |
| 110   | -     | -       | -     | 129,0  | -     | -           | - | -    | -    | 127,0 | -    |      |  |  |  |  |  |  |  |  |  |  |      |             |  |  |  |  |  |  |  |  |  |  |  |                         |  |  |  |  |  |  |  |  |  |  |  |   |   |   |   |   |   |   |   |   |   |   |   |    |   |        |   |   |   |   |   |   |   |   |   |    |   |        |   |   |   |   |   |   |   |   |   |    |       |       |   |   |   |   |   |   |   |       |   |    |       |       |   |   |   |   |   |   |   |       |   |    |       |       |   |   |   |   |   |   |   |       |   |    |       |       |   |   |   |   |   |   |   |       |   |    |      |       |   |   |   |   |   |   |   |       |   |    |      |       |   |   |   |   |   |   |   |       |   |    |      |       |       |   |   |   |   |   |   |       |   |    |      |       |       |   |   |   |   |   |   |       |   |    |      |       |       |   |   |   |   |   |   |       |   |    |      |       |       |   |   |   |   |   |   |       |   |    |      |       |       |   |   |   |   |   |   |       |   |    |      |       |       |   |   |   |   |   |   |       |   |    |      |       |       |   |   |   |   |   |   |       |   |    |   |   |       |       |   |   |   |   |   |       |   |    |   |   |       |       |   |   |   |   |   |       |   |    |   |   |       |       |   |   |   |   |   |       |   |     |   |   |       |       |   |   |   |   |   |       |   |     |   |   |   |       |   |   |   |   |   |       |   |     |   |   |   |       |       |   |   |   |   |       |   |     |   |   |   |       |       |   |   |   |   |       |   |     |   |   |   |       |       |   |   |   |   |       |   |     |   |   |   |   |       |   |   |   |   |       |   |     |   |   |   |   |       |   |   |   |   |       |   |     |   |   |   |   |       |   |   |   |      |      |   |     |   |   |   |   |   |   |   |   |      |      |   |     |   |   |   |   |   |   |   |   |      |      |   |     |   |   |   |   |   |   |   |   |      |      |   |     |   |   |   |   |   |   |   |   |   |      |   |     |   |   |   |   |   |   |   |   |   |      |   |
| 112   | -     | -       | -     | 124,0  | 123,0 | -           | - | -    | -    | 121,0 | -    |      |  |  |  |  |  |  |  |  |  |  |      |             |  |  |  |  |  |  |  |  |  |  |  |                         |  |  |  |  |  |  |  |  |  |  |  |   |   |   |   |   |   |   |   |   |   |   |   |    |   |        |   |   |   |   |   |   |   |   |   |    |   |        |   |   |   |   |   |   |   |   |   |    |       |       |   |   |   |   |   |   |   |       |   |    |       |       |   |   |   |   |   |   |   |       |   |    |       |       |   |   |   |   |   |   |   |       |   |    |       |       |   |   |   |   |   |   |   |       |   |    |      |       |   |   |   |   |   |   |   |       |   |    |      |       |   |   |   |   |   |   |   |       |   |    |      |       |       |   |   |   |   |   |   |       |   |    |      |       |       |   |   |   |   |   |   |       |   |    |      |       |       |   |   |   |   |   |   |       |   |    |      |       |       |   |   |   |   |   |   |       |   |    |      |       |       |   |   |   |   |   |   |       |   |    |      |       |       |   |   |   |   |   |   |       |   |    |      |       |       |   |   |   |   |   |   |       |   |    |   |   |       |       |   |   |   |   |   |       |   |    |   |   |       |       |   |   |   |   |   |       |   |    |   |   |       |       |   |   |   |   |   |       |   |     |   |   |       |       |   |   |   |   |   |       |   |     |   |   |   |       |   |   |   |   |   |       |   |     |   |   |   |       |       |   |   |   |   |       |   |     |   |   |   |       |       |   |   |   |   |       |   |     |   |   |   |       |       |   |   |   |   |       |   |     |   |   |   |   |       |   |   |   |   |       |   |     |   |   |   |   |       |   |   |   |   |       |   |     |   |   |   |   |       |   |   |   |      |      |   |     |   |   |   |   |   |   |   |   |      |      |   |     |   |   |   |   |   |   |   |   |      |      |   |     |   |   |   |   |   |   |   |   |      |      |   |     |   |   |   |   |   |   |   |   |   |      |   |     |   |   |   |   |   |   |   |   |   |      |   |
| 114   | -     | -       | -     | 119,0  | 120,0 | -           | - | -    | -    | 115,0 | -    |      |  |  |  |  |  |  |  |  |  |  |      |             |  |  |  |  |  |  |  |  |  |  |  |                         |  |  |  |  |  |  |  |  |  |  |  |   |   |   |   |   |   |   |   |   |   |   |   |    |   |        |   |   |   |   |   |   |   |   |   |    |   |        |   |   |   |   |   |   |   |   |   |    |       |       |   |   |   |   |   |   |   |       |   |    |       |       |   |   |   |   |   |   |   |       |   |    |       |       |   |   |   |   |   |   |   |       |   |    |       |       |   |   |   |   |   |   |   |       |   |    |      |       |   |   |   |   |   |   |   |       |   |    |      |       |   |   |   |   |   |   |   |       |   |    |      |       |       |   |   |   |   |   |   |       |   |    |      |       |       |   |   |   |   |   |   |       |   |    |      |       |       |   |   |   |   |   |   |       |   |    |      |       |       |   |   |   |   |   |   |       |   |    |      |       |       |   |   |   |   |   |   |       |   |    |      |       |       |   |   |   |   |   |   |       |   |    |      |       |       |   |   |   |   |   |   |       |   |    |   |   |       |       |   |   |   |   |   |       |   |    |   |   |       |       |   |   |   |   |   |       |   |    |   |   |       |       |   |   |   |   |   |       |   |     |   |   |       |       |   |   |   |   |   |       |   |     |   |   |   |       |   |   |   |   |   |       |   |     |   |   |   |       |       |   |   |   |   |       |   |     |   |   |   |       |       |   |   |   |   |       |   |     |   |   |   |       |       |   |   |   |   |       |   |     |   |   |   |   |       |   |   |   |   |       |   |     |   |   |   |   |       |   |   |   |   |       |   |     |   |   |   |   |       |   |   |   |      |      |   |     |   |   |   |   |   |   |   |   |      |      |   |     |   |   |   |   |   |   |   |   |      |      |   |     |   |   |   |   |   |   |   |   |      |      |   |     |   |   |   |   |   |   |   |   |   |      |   |     |   |   |   |   |   |   |   |   |   |      |   |
| 118   | -     | -       | -     | -      | 114,0 | -           | - | -    | -    | 103,0 | -    |      |  |  |  |  |  |  |  |  |  |  |      |             |  |  |  |  |  |  |  |  |  |  |  |                         |  |  |  |  |  |  |  |  |  |  |  |   |   |   |   |   |   |   |   |   |   |   |   |    |   |        |   |   |   |   |   |   |   |   |   |    |   |        |   |   |   |   |   |   |   |   |   |    |       |       |   |   |   |   |   |   |   |       |   |    |       |       |   |   |   |   |   |   |   |       |   |    |       |       |   |   |   |   |   |   |   |       |   |    |       |       |   |   |   |   |   |   |   |       |   |    |      |       |   |   |   |   |   |   |   |       |   |    |      |       |   |   |   |   |   |   |   |       |   |    |      |       |       |   |   |   |   |   |   |       |   |    |      |       |       |   |   |   |   |   |   |       |   |    |      |       |       |   |   |   |   |   |   |       |   |    |      |       |       |   |   |   |   |   |   |       |   |    |      |       |       |   |   |   |   |   |   |       |   |    |      |       |       |   |   |   |   |   |   |       |   |    |      |       |       |   |   |   |   |   |   |       |   |    |   |   |       |       |   |   |   |   |   |       |   |    |   |   |       |       |   |   |   |   |   |       |   |    |   |   |       |       |   |   |   |   |   |       |   |     |   |   |       |       |   |   |   |   |   |       |   |     |   |   |   |       |   |   |   |   |   |       |   |     |   |   |   |       |       |   |   |   |   |       |   |     |   |   |   |       |       |   |   |   |   |       |   |     |   |   |   |       |       |   |   |   |   |       |   |     |   |   |   |   |       |   |   |   |   |       |   |     |   |   |   |   |       |   |   |   |   |       |   |     |   |   |   |   |       |   |   |   |      |      |   |     |   |   |   |   |   |   |   |   |      |      |   |     |   |   |   |   |   |   |   |   |      |      |   |     |   |   |   |   |   |   |   |   |      |      |   |     |   |   |   |   |   |   |   |   |   |      |   |     |   |   |   |   |   |   |   |   |   |      |   |
| 122   | -     | -       | -     | -      | 108,0 | -           | - | -    | -    | 92,5  | -    |      |  |  |  |  |  |  |  |  |  |  |      |             |  |  |  |  |  |  |  |  |  |  |  |                         |  |  |  |  |  |  |  |  |  |  |  |   |   |   |   |   |   |   |   |   |   |   |   |    |   |        |   |   |   |   |   |   |   |   |   |    |   |        |   |   |   |   |   |   |   |   |   |    |       |       |   |   |   |   |   |   |   |       |   |    |       |       |   |   |   |   |   |   |   |       |   |    |       |       |   |   |   |   |   |   |   |       |   |    |       |       |   |   |   |   |   |   |   |       |   |    |      |       |   |   |   |   |   |   |   |       |   |    |      |       |   |   |   |   |   |   |   |       |   |    |      |       |       |   |   |   |   |   |   |       |   |    |      |       |       |   |   |   |   |   |   |       |   |    |      |       |       |   |   |   |   |   |   |       |   |    |      |       |       |   |   |   |   |   |   |       |   |    |      |       |       |   |   |   |   |   |   |       |   |    |      |       |       |   |   |   |   |   |   |       |   |    |      |       |       |   |   |   |   |   |   |       |   |    |   |   |       |       |   |   |   |   |   |       |   |    |   |   |       |       |   |   |   |   |   |       |   |    |   |   |       |       |   |   |   |   |   |       |   |     |   |   |       |       |   |   |   |   |   |       |   |     |   |   |   |       |   |   |   |   |   |       |   |     |   |   |   |       |       |   |   |   |   |       |   |     |   |   |   |       |       |   |   |   |   |       |   |     |   |   |   |       |       |   |   |   |   |       |   |     |   |   |   |   |       |   |   |   |   |       |   |     |   |   |   |   |       |   |   |   |   |       |   |     |   |   |   |   |       |   |   |   |      |      |   |     |   |   |   |   |   |   |   |   |      |      |   |     |   |   |   |   |   |   |   |   |      |      |   |     |   |   |   |   |   |   |   |   |      |      |   |     |   |   |   |   |   |   |   |   |   |      |   |     |   |   |   |   |   |   |   |   |   |      |   |
| 124   | -     | -       | -     | -      | 105,0 | -           | - | -    | -    | 87,2  | -    |      |  |  |  |  |  |  |  |  |  |  |      |             |  |  |  |  |  |  |  |  |  |  |  |                         |  |  |  |  |  |  |  |  |  |  |  |   |   |   |   |   |   |   |   |   |   |   |   |    |   |        |   |   |   |   |   |   |   |   |   |    |   |        |   |   |   |   |   |   |   |   |   |    |       |       |   |   |   |   |   |   |   |       |   |    |       |       |   |   |   |   |   |   |   |       |   |    |       |       |   |   |   |   |   |   |   |       |   |    |       |       |   |   |   |   |   |   |   |       |   |    |      |       |   |   |   |   |   |   |   |       |   |    |      |       |   |   |   |   |   |   |   |       |   |    |      |       |       |   |   |   |   |   |   |       |   |    |      |       |       |   |   |   |   |   |   |       |   |    |      |       |       |   |   |   |   |   |   |       |   |    |      |       |       |   |   |   |   |   |   |       |   |    |      |       |       |   |   |   |   |   |   |       |   |    |      |       |       |   |   |   |   |   |   |       |   |    |      |       |       |   |   |   |   |   |   |       |   |    |   |   |       |       |   |   |   |   |   |       |   |    |   |   |       |       |   |   |   |   |   |       |   |    |   |   |       |       |   |   |   |   |   |       |   |     |   |   |       |       |   |   |   |   |   |       |   |     |   |   |   |       |   |   |   |   |   |       |   |     |   |   |   |       |       |   |   |   |   |       |   |     |   |   |   |       |       |   |   |   |   |       |   |     |   |   |   |       |       |   |   |   |   |       |   |     |   |   |   |   |       |   |   |   |   |       |   |     |   |   |   |   |       |   |   |   |   |       |   |     |   |   |   |   |       |   |   |   |      |      |   |     |   |   |   |   |   |   |   |   |      |      |   |     |   |   |   |   |   |   |   |   |      |      |   |     |   |   |   |   |   |   |   |   |      |      |   |     |   |   |   |   |   |   |   |   |   |      |   |     |   |   |   |   |   |   |   |   |   |      |   |
| 126   | -     | -       | -     | -      | -     | -           | - | -    | -    | 82,0  | -    |      |  |  |  |  |  |  |  |  |  |  |      |             |  |  |  |  |  |  |  |  |  |  |  |                         |  |  |  |  |  |  |  |  |  |  |  |   |   |   |   |   |   |   |   |   |   |   |   |    |   |        |   |   |   |   |   |   |   |   |   |    |   |        |   |   |   |   |   |   |   |   |   |    |       |       |   |   |   |   |   |   |   |       |   |    |       |       |   |   |   |   |   |   |   |       |   |    |       |       |   |   |   |   |   |   |   |       |   |    |       |       |   |   |   |   |   |   |   |       |   |    |      |       |   |   |   |   |   |   |   |       |   |    |      |       |   |   |   |   |   |   |   |       |   |    |      |       |       |   |   |   |   |   |   |       |   |    |      |       |       |   |   |   |   |   |   |       |   |    |      |       |       |   |   |   |   |   |   |       |   |    |      |       |       |   |   |   |   |   |   |       |   |    |      |       |       |   |   |   |   |   |   |       |   |    |      |       |       |   |   |   |   |   |   |       |   |    |      |       |       |   |   |   |   |   |   |       |   |    |   |   |       |       |   |   |   |   |   |       |   |    |   |   |       |       |   |   |   |   |   |       |   |    |   |   |       |       |   |   |   |   |   |       |   |     |   |   |       |       |   |   |   |   |   |       |   |     |   |   |   |       |   |   |   |   |   |       |   |     |   |   |   |       |       |   |   |   |   |       |   |     |   |   |   |       |       |   |   |   |   |       |   |     |   |   |   |       |       |   |   |   |   |       |   |     |   |   |   |   |       |   |   |   |   |       |   |     |   |   |   |   |       |   |   |   |   |       |   |     |   |   |   |   |       |   |   |   |      |      |   |     |   |   |   |   |   |   |   |   |      |      |   |     |   |   |   |   |   |   |   |   |      |      |   |     |   |   |   |   |   |   |   |   |      |      |   |     |   |   |   |   |   |   |   |   |   |      |   |     |   |   |   |   |   |   |   |   |   |      |   |
| 130   | -     | -       | -     | -      | -     | -           | - | -    | 75,0 | 71,5  | -    |      |  |  |  |  |  |  |  |  |  |  |      |             |  |  |  |  |  |  |  |  |  |  |  |                         |  |  |  |  |  |  |  |  |  |  |  |   |   |   |   |   |   |   |   |   |   |   |   |    |   |        |   |   |   |   |   |   |   |   |   |    |   |        |   |   |   |   |   |   |   |   |   |    |       |       |   |   |   |   |   |   |   |       |   |    |       |       |   |   |   |   |   |   |   |       |   |    |       |       |   |   |   |   |   |   |   |       |   |    |       |       |   |   |   |   |   |   |   |       |   |    |      |       |   |   |   |   |   |   |   |       |   |    |      |       |   |   |   |   |   |   |   |       |   |    |      |       |       |   |   |   |   |   |   |       |   |    |      |       |       |   |   |   |   |   |   |       |   |    |      |       |       |   |   |   |   |   |   |       |   |    |      |       |       |   |   |   |   |   |   |       |   |    |      |       |       |   |   |   |   |   |   |       |   |    |      |       |       |   |   |   |   |   |   |       |   |    |      |       |       |   |   |   |   |   |   |       |   |    |   |   |       |       |   |   |   |   |   |       |   |    |   |   |       |       |   |   |   |   |   |       |   |    |   |   |       |       |   |   |   |   |   |       |   |     |   |   |       |       |   |   |   |   |   |       |   |     |   |   |   |       |   |   |   |   |   |       |   |     |   |   |   |       |       |   |   |   |   |       |   |     |   |   |   |       |       |   |   |   |   |       |   |     |   |   |   |       |       |   |   |   |   |       |   |     |   |   |   |   |       |   |   |   |   |       |   |     |   |   |   |   |       |   |   |   |   |       |   |     |   |   |   |   |       |   |   |   |      |      |   |     |   |   |   |   |   |   |   |   |      |      |   |     |   |   |   |   |   |   |   |   |      |      |   |     |   |   |   |   |   |   |   |   |      |      |   |     |   |   |   |   |   |   |   |   |   |      |   |     |   |   |   |   |   |   |   |   |   |      |   |
| 134   | -     | -       | -     | -      | -     | -           | - | -    | 71,0 | 62,5  | -    |      |  |  |  |  |  |  |  |  |  |  |      |             |  |  |  |  |  |  |  |  |  |  |  |                         |  |  |  |  |  |  |  |  |  |  |  |   |   |   |   |   |   |   |   |   |   |   |   |    |   |        |   |   |   |   |   |   |   |   |   |    |   |        |   |   |   |   |   |   |   |   |   |    |       |       |   |   |   |   |   |   |   |       |   |    |       |       |   |   |   |   |   |   |   |       |   |    |       |       |   |   |   |   |   |   |   |       |   |    |       |       |   |   |   |   |   |   |   |       |   |    |      |       |   |   |   |   |   |   |   |       |   |    |      |       |   |   |   |   |   |   |   |       |   |    |      |       |       |   |   |   |   |   |   |       |   |    |      |       |       |   |   |   |   |   |   |       |   |    |      |       |       |   |   |   |   |   |   |       |   |    |      |       |       |   |   |   |   |   |   |       |   |    |      |       |       |   |   |   |   |   |   |       |   |    |      |       |       |   |   |   |   |   |   |       |   |    |      |       |       |   |   |   |   |   |   |       |   |    |   |   |       |       |   |   |   |   |   |       |   |    |   |   |       |       |   |   |   |   |   |       |   |    |   |   |       |       |   |   |   |   |   |       |   |     |   |   |       |       |   |   |   |   |   |       |   |     |   |   |   |       |   |   |   |   |   |       |   |     |   |   |   |       |       |   |   |   |   |       |   |     |   |   |   |       |       |   |   |   |   |       |   |     |   |   |   |       |       |   |   |   |   |       |   |     |   |   |   |   |       |   |   |   |   |       |   |     |   |   |   |   |       |   |   |   |   |       |   |     |   |   |   |   |       |   |   |   |      |      |   |     |   |   |   |   |   |   |   |   |      |      |   |     |   |   |   |   |   |   |   |   |      |      |   |     |   |   |   |   |   |   |   |   |      |      |   |     |   |   |   |   |   |   |   |   |   |      |   |     |   |   |   |   |   |   |   |   |   |      |   |
| 138   | -     | -       | -     | -      | -     | -           | - | -    | -    | 57,5  | -    |      |  |  |  |  |  |  |  |  |  |  |      |             |  |  |  |  |  |  |  |  |  |  |  |                         |  |  |  |  |  |  |  |  |  |  |  |   |   |   |   |   |   |   |   |   |   |   |   |    |   |        |   |   |   |   |   |   |   |   |   |    |   |        |   |   |   |   |   |   |   |   |   |    |       |       |   |   |   |   |   |   |   |       |   |    |       |       |   |   |   |   |   |   |   |       |   |    |       |       |   |   |   |   |   |   |   |       |   |    |       |       |   |   |   |   |   |   |   |       |   |    |      |       |   |   |   |   |   |   |   |       |   |    |      |       |   |   |   |   |   |   |   |       |   |    |      |       |       |   |   |   |   |   |   |       |   |    |      |       |       |   |   |   |   |   |   |       |   |    |      |       |       |   |   |   |   |   |   |       |   |    |      |       |       |   |   |   |   |   |   |       |   |    |      |       |       |   |   |   |   |   |   |       |   |    |      |       |       |   |   |   |   |   |   |       |   |    |      |       |       |   |   |   |   |   |   |       |   |    |   |   |       |       |   |   |   |   |   |       |   |    |   |   |       |       |   |   |   |   |   |       |   |    |   |   |       |       |   |   |   |   |   |       |   |     |   |   |       |       |   |   |   |   |   |       |   |     |   |   |   |       |   |   |   |   |   |       |   |     |   |   |   |       |       |   |   |   |   |       |   |     |   |   |   |       |       |   |   |   |   |       |   |     |   |   |   |       |       |   |   |   |   |       |   |     |   |   |   |   |       |   |   |   |   |       |   |     |   |   |   |   |       |   |   |   |   |       |   |     |   |   |   |   |       |   |   |   |      |      |   |     |   |   |   |   |   |   |   |   |      |      |   |     |   |   |   |   |   |   |   |   |      |      |   |     |   |   |   |   |   |   |   |   |      |      |   |     |   |   |   |   |   |   |   |   |   |      |   |     |   |   |   |   |   |   |   |   |   |      |   |
| 142   | -     | -       | -     | -      | -     | -           | - | -    | -    | 49,6  | -    |      |  |  |  |  |  |  |  |  |  |  |      |             |  |  |  |  |  |  |  |  |  |  |  |                         |  |  |  |  |  |  |  |  |  |  |  |   |   |   |   |   |   |   |   |   |   |   |   |    |   |        |   |   |   |   |   |   |   |   |   |    |   |        |   |   |   |   |   |   |   |   |   |    |       |       |   |   |   |   |   |   |   |       |   |    |       |       |   |   |   |   |   |   |   |       |   |    |       |       |   |   |   |   |   |   |   |       |   |    |       |       |   |   |   |   |   |   |   |       |   |    |      |       |   |   |   |   |   |   |   |       |   |    |      |       |   |   |   |   |   |   |   |       |   |    |      |       |       |   |   |   |   |   |   |       |   |    |      |       |       |   |   |   |   |   |   |       |   |    |      |       |       |   |   |   |   |   |   |       |   |    |      |       |       |   |   |   |   |   |   |       |   |    |      |       |       |   |   |   |   |   |   |       |   |    |      |       |       |   |   |   |   |   |   |       |   |    |      |       |       |   |   |   |   |   |   |       |   |    |   |   |       |       |   |   |   |   |   |       |   |    |   |   |       |       |   |   |   |   |   |       |   |    |   |   |       |       |   |   |   |   |   |       |   |     |   |   |       |       |   |   |   |   |   |       |   |     |   |   |   |       |   |   |   |   |   |       |   |     |   |   |   |       |       |   |   |   |   |       |   |     |   |   |   |       |       |   |   |   |   |       |   |     |   |   |   |       |       |   |   |   |   |       |   |     |   |   |   |   |       |   |   |   |   |       |   |     |   |   |   |   |       |   |   |   |   |       |   |     |   |   |   |   |       |   |   |   |      |      |   |     |   |   |   |   |   |   |   |   |      |      |   |     |   |   |   |   |   |   |   |   |      |      |   |     |   |   |   |   |   |   |   |   |      |      |   |     |   |   |   |   |   |   |   |   |   |      |   |     |   |   |   |   |   |   |   |   |   |      |   |

6 m steps of luffing jib is standard · 6 m Stufung der Wippe ist Standard · Des paliers de 6 m sont de série pour la fléchette

Main boom angle 88°, 85°, 75°, 65°, 55° and 45°; capacities for intermediate boom positions are calculated by the crane control system IC-1  
 Hauptauslegerwinkel 88°, 85°, 75°, 65°, 55° und 45°; Traglasten für Zwischenstellungen des Hauptauslegers werden von der Kransteuerung IC-1 berechnet

Jarret de flèche principale 88°, 85°, 75°, 65°, 55° et 45° ; le système de commande de la grue IC-1 calcule les charges pour les positions intermédiaires de la flèche

\* Main boom angle 88° · Hauptauslegerwinkel 88° · Jarret de flèche principale 88°

| 295 t + 60 t ZB   |      | 19-30 m |       | 10,5 m |       | 9.8 m/s      |      | 360° |   | ISO   |      |      |  |  |  |  |  |  |  |  |  |  |      |     |  |  |  |  |  |  |  |  |  |  |  |             |  |  |  |  |  |  |  |  |  |  |  |  |     |     |     |     |     |     |  |  |  |  |  |   |   |   |   |   |   |   |   |   |   |   |   |    |   |        |   |   |   |   |   |   |   |   |   |    |   |        |   |   |   |   |   |   |   |   |   |    |   |        |   |   |   |   |   |   |   |   |   |    |      |       |   |   |   |   |   |   |   |       |   |    |      |       |   |   |   |   |   |   |   |       |   |    |      |       |   |   |   |   |   |   |   |       |   |    |      |       |   |   |   |   |   |   |   |       |   |    |      |       |   |   |   |   |   |   |   |       |   |    |      |       |   |   |   |   |   |   |   |       |   |    |      |       |   |   |   |   |   |   |   |       |   |    |      |       |       |   |   |   |   |   |   |       |   |    |      |       |       |   |   |   |   |   |   |       |   |    |      |       |       |   |   |   |   |   |   |       |   |    |      |       |       |   |   |   |   |   |   |       |   |    |      |       |       |   |   |   |   |   |   |       |   |    |      |       |       |   |   |   |   |   |   |       |   |    |      |       |       |   |   |   |   |   |   |       |   |    |      |       |       |   |   |   |   |   |   |       |   |     |      |      |       |       |   |   |   |   |   |       |   |     |      |      |       |       |   |   |   |   |   |       |   |     |   |      |       |       |   |   |   |   |   |       |   |     |   |      |       |       |   |   |   |   |   |       |   |     |   |   |       |       |   |   |   |   |   |       |   |     |   |   |      |       |   |   |   |   |   |       |   |     |   |   |      |       |   |   |   |   |   |       |   |     |   |   |      |       |   |   |   |   |   |       |   |     |   |   |   |       |       |   |   |   |   |       |   |     |   |   |   |       |       |   |   |   |   |       |   |     |   |   |   |      |       |   |   |   |   |      |   |     |   |   |   |      |      |   |   |   |   |      |   |     |   |   |   |   |      |   |   |   |   |      |   |     |   |   |   |   |      |   |   |   |   |      |   |     |   |   |   |   |      |   |   |   |   |      |   |     |   |   |   |   |      |   |   |   |   |      |   |     |   |   |   |   |   |      |      |   |   |   |   |     |   |   |   |   |   |      |      |   |   |   |   |     |   |   |   |   |   |      |      |   |   |   |   |     |   |   |   |   |   |   |      |   |   |   |   |     |   |   |   |   |   |   |      |   |   |   |   |     |   |   |   |   |   |   |      |   |   |   |   |
|---|------|---------|-------|--------|-------|--------------|------|------|---|-------|------|------|--|--|--|--|--|--|--|--|--|--|------|-----|--|--|--|--|--|--|--|--|--|--|--|-------------|--|--|--|--|--|--|--|--|--|--|--|--|-----|-----|-----|-----|-----|-----|--|--|--|--|--|---|---|---|---|---|---|---|---|---|---|---|---|----|---|--------|---|---|---|---|---|---|---|---|---|----|---|--------|---|---|---|---|---|---|---|---|---|----|---|--------|---|---|---|---|---|---|---|---|---|----|------|-------|---|---|---|---|---|---|---|-------|---|----|------|-------|---|---|---|---|---|---|---|-------|---|----|------|-------|---|---|---|---|---|---|---|-------|---|----|------|-------|---|---|---|---|---|---|---|-------|---|----|------|-------|---|---|---|---|---|---|---|-------|---|----|------|-------|---|---|---|---|---|---|---|-------|---|----|------|-------|---|---|---|---|---|---|---|-------|---|----|------|-------|-------|---|---|---|---|---|---|-------|---|----|------|-------|-------|---|---|---|---|---|---|-------|---|----|------|-------|-------|---|---|---|---|---|---|-------|---|----|------|-------|-------|---|---|---|---|---|---|-------|---|----|------|-------|-------|---|---|---|---|---|---|-------|---|----|------|-------|-------|---|---|---|---|---|---|-------|---|----|------|-------|-------|---|---|---|---|---|---|-------|---|----|------|-------|-------|---|---|---|---|---|---|-------|---|-----|------|------|-------|-------|---|---|---|---|---|-------|---|-----|------|------|-------|-------|---|---|---|---|---|-------|---|-----|---|------|-------|-------|---|---|---|---|---|-------|---|-----|---|------|-------|-------|---|---|---|---|---|-------|---|-----|---|---|-------|-------|---|---|---|---|---|-------|---|-----|---|---|------|-------|---|---|---|---|---|-------|---|-----|---|---|------|-------|---|---|---|---|---|-------|---|-----|---|---|------|-------|---|---|---|---|---|-------|---|-----|---|---|---|-------|-------|---|---|---|---|-------|---|-----|---|---|---|-------|-------|---|---|---|---|-------|---|-----|---|---|---|------|-------|---|---|---|---|------|---|-----|---|---|---|------|------|---|---|---|---|------|---|-----|---|---|---|---|------|---|---|---|---|------|---|-----|---|---|---|---|------|---|---|---|---|------|---|-----|---|---|---|---|------|---|---|---|---|------|---|-----|---|---|---|---|------|---|---|---|---|------|---|-----|---|---|---|---|---|------|------|---|---|---|---|-----|---|---|---|---|---|------|------|---|---|---|---|-----|---|---|---|---|---|------|------|---|---|---|---|-----|---|---|---|---|---|---|------|---|---|---|---|-----|---|---|---|---|---|---|------|---|---|---|---|-----|---|---|---|---|---|---|------|---|---|---|---|
| 72 m + 96 m   |      |         |       |        |       | 72 m + 108 m |      |      |   |       |      |      |  |  |  |  |  |  |  |  |  |  |      |     |  |  |  |  |  |  |  |  |  |  |  |             |  |  |  |  |  |  |  |  |  |  |  |  |     |     |     |     |     |     |  |  |  |  |  |   |   |   |   |   |   |   |   |   |   |   |   |    |   |        |   |   |   |   |   |   |   |   |   |    |   |        |   |   |   |   |   |   |   |   |   |    |   |        |   |   |   |   |   |   |   |   |   |    |      |       |   |   |   |   |   |   |   |       |   |    |      |       |   |   |   |   |   |   |   |       |   |    |      |       |   |   |   |   |   |   |   |       |   |    |      |       |   |   |   |   |   |   |   |       |   |    |      |       |   |   |   |   |   |   |   |       |   |    |      |       |   |   |   |   |   |   |   |       |   |    |      |       |   |   |   |   |   |   |   |       |   |    |      |       |       |   |   |   |   |   |   |       |   |    |      |       |       |   |   |   |   |   |   |       |   |    |      |       |       |   |   |   |   |   |   |       |   |    |      |       |       |   |   |   |   |   |   |       |   |    |      |       |       |   |   |   |   |   |   |       |   |    |      |       |       |   |   |   |   |   |   |       |   |    |      |       |       |   |   |   |   |   |   |       |   |    |      |       |       |   |   |   |   |   |   |       |   |     |      |      |       |       |   |   |   |   |   |       |   |     |      |      |       |       |   |   |   |   |   |       |   |     |   |      |       |       |   |   |   |   |   |       |   |     |   |      |       |       |   |   |   |   |   |       |   |     |   |   |       |       |   |   |   |   |   |       |   |     |   |   |      |       |   |   |   |   |   |       |   |     |   |   |      |       |   |   |   |   |   |       |   |     |   |   |      |       |   |   |   |   |   |       |   |     |   |   |   |       |       |   |   |   |   |       |   |     |   |   |   |       |       |   |   |   |   |       |   |     |   |   |   |      |       |   |   |   |   |      |   |     |   |   |   |      |      |   |   |   |   |      |   |     |   |   |   |   |      |   |   |   |   |      |   |     |   |   |   |   |      |   |   |   |   |      |   |     |   |   |   |   |      |   |   |   |   |      |   |     |   |   |   |   |      |   |   |   |   |      |   |     |   |   |   |   |   |      |      |   |   |   |   |     |   |   |   |   |   |      |      |   |   |   |   |     |   |   |   |   |   |      |      |   |   |   |   |     |   |   |   |   |   |   |      |   |   |   |   |     |   |   |   |   |   |   |      |   |   |   |   |     |   |   |   |   |   |   |      |   |   |   |   |
| <table border="1"> <thead> <tr> <th colspan="11">SWSL</th> <th>SFSL</th> </tr> <tr> <th colspan="12">0 t</th> </tr> <tr> <th colspan="12">0 t - 640 t</th> </tr> <tr> <th></th> <th>85°</th> <th>85°</th> <th>75°</th> <th>65°</th> <th>55°</th> <th>45°</th> <th></th> <th></th> <th></th> <th></th> <th></th> </tr> <tr> <th>m</th> <th>t</th> <th>t</th> <th>t</th> <th>t</th> <th>t</th> <th>t</th> <th>t</th> <th>t</th> <th>t</th> <th>t</th> <th>t</th> </tr> </thead> <tbody> <tr><td>36</td><td>-</td><td>167,0*</td><td>-</td><td>-</td><td>-</td><td>-</td><td>-</td><td>-</td><td>-</td><td>-</td><td>-</td></tr> <tr><td>38</td><td>-</td><td>167,0*</td><td>-</td><td>-</td><td>-</td><td>-</td><td>-</td><td>-</td><td>-</td><td>-</td><td>-</td></tr> <tr><td>42</td><td>-</td><td>164,0*</td><td>-</td><td>-</td><td>-</td><td>-</td><td>-</td><td>-</td><td>-</td><td>-</td><td>-</td></tr> <tr><td>46</td><td>86,0</td><td>173,0</td><td>-</td><td>-</td><td>-</td><td>-</td><td>-</td><td>-</td><td>-</td><td>170,0</td><td>-</td></tr> <tr><td>50</td><td>76,0</td><td>170,0</td><td>-</td><td>-</td><td>-</td><td>-</td><td>-</td><td>-</td><td>-</td><td>170,0</td><td>-</td></tr> <tr><td>54</td><td>67,5</td><td>168,0</td><td>-</td><td>-</td><td>-</td><td>-</td><td>-</td><td>-</td><td>-</td><td>170,0</td><td>-</td></tr> <tr><td>58</td><td>60,0</td><td>166,0</td><td>-</td><td>-</td><td>-</td><td>-</td><td>-</td><td>-</td><td>-</td><td>170,0</td><td>-</td></tr> <tr><td>62</td><td>53,5</td><td>163,0</td><td>-</td><td>-</td><td>-</td><td>-</td><td>-</td><td>-</td><td>-</td><td>170,0</td><td>-</td></tr> <tr><td>66</td><td>47,6</td><td>161,0</td><td>-</td><td>-</td><td>-</td><td>-</td><td>-</td><td>-</td><td>-</td><td>170,0</td><td>-</td></tr> <tr><td>70</td><td>42,2</td><td>158,0</td><td>-</td><td>-</td><td>-</td><td>-</td><td>-</td><td>-</td><td>-</td><td>167,0</td><td>-</td></tr> <tr><td>72</td><td>39,8</td><td>157,0</td><td>168,0</td><td>-</td><td>-</td><td>-</td><td>-</td><td>-</td><td>-</td><td>166,0</td><td>-</td></tr> <tr><td>74</td><td>37,4</td><td>156,0</td><td>168,0</td><td>-</td><td>-</td><td>-</td><td>-</td><td>-</td><td>-</td><td>165,0</td><td>-</td></tr> <tr><td>78</td><td>33,0</td><td>148,0</td><td>168,0</td><td>-</td><td>-</td><td>-</td><td>-</td><td>-</td><td>-</td><td>162,0</td><td>-</td></tr> <tr><td>82</td><td>29,0</td><td>136,0</td><td>168,0</td><td>-</td><td>-</td><td>-</td><td>-</td><td>-</td><td>-</td><td>159,0</td><td>-</td></tr> <tr><td>86</td><td>25,3</td><td>125,0</td><td>164,0</td><td>-</td><td>-</td><td>-</td><td>-</td><td>-</td><td>-</td><td>157,0</td><td>-</td></tr> <tr><td>88</td><td>23,6</td><td>120,0</td><td>157,0</td><td>-</td><td>-</td><td>-</td><td>-</td><td>-</td><td>-</td><td>155,0</td><td>-</td></tr> <tr><td>90</td><td>22,0</td><td>115,5</td><td>150,0</td><td>-</td><td>-</td><td>-</td><td>-</td><td>-</td><td>-</td><td>153,0</td><td>-</td></tr> <tr><td>94</td><td>18,8</td><td>105,5</td><td>138,0</td><td>-</td><td>-</td><td>-</td><td>-</td><td>-</td><td>-</td><td>150,0</td><td>-</td></tr> <tr><td>98</td><td>15,8</td><td>94,0</td><td>127,0</td><td>150,0</td><td>-</td><td>-</td><td>-</td><td>-</td><td>-</td><td>147,0</td><td>-</td></tr> <tr><td>100</td><td>14,4</td><td>88,0</td><td>121,0</td><td>150,0</td><td>-</td><td>-</td><td>-</td><td>-</td><td>-</td><td>145,5</td><td>-</td></tr> <tr><td>102</td><td>-</td><td>-</td><td>117,0</td><td>150,0</td><td>-</td><td>-</td><td>-</td><td>-</td><td>-</td><td>144,0</td><td>-</td></tr> <tr><td>106</td><td>-</td><td>-</td><td>108,0</td><td>137,0</td><td>-</td><td>-</td><td>-</td><td>-</td><td>-</td><td>137,0</td><td>-</td></tr> <tr><td>110</td><td>-</td><td>-</td><td>100,0</td><td>126,0</td><td>-</td><td>-</td><td>-</td><td>-</td><td>-</td><td>127,0</td><td>-</td></tr> <tr><td>112</td><td>-</td><td>-</td><td>96,0</td><td>121,0</td><td>-</td><td>-</td><td>-</td><td>-</td><td>-</td><td>122,5</td><td>-</td></tr> <tr><td>114</td><td>-</td><td>-</td><td>-</td><td>117,0</td><td>-</td><td>-</td><td>-</td><td>-</td><td>-</td><td>118,0</td><td>-</td></tr> <tr><td>118</td><td>-</td><td>-</td><td>-</td><td>108,0</td><td>-</td><td>-</td><td>-</td><td>-</td><td>-</td><td>110,0</td><td>-</td></tr> <tr><td>120</td><td>-</td><td>-</td><td>-</td><td>104,0</td><td>106,0</td><td>-</td><td>-</td><td>-</td><td>-</td><td>105,0</td><td>-</td></tr> <tr><td>122</td><td>-</td><td>-</td><td>-</td><td>100,0</td><td>103,0</td><td>-</td><td>-</td><td>-</td><td>-</td><td>100,0</td><td>-</td></tr> <tr><td>124</td><td>-</td><td>-</td><td>-</td><td>96,0</td><td>100,0</td><td>-</td><td>-</td><td>-</td><td>-</td><td>94,7</td><td>-</td></tr> <tr><td>126</td><td>-</td><td>-</td><td>-</td><td>-</td><td>97,5</td><td>-</td><td>-</td><td>-</td><td>-</td><td>89,5</td><td>-</td></tr> <tr><td>130</td><td>-</td><td>-</td><td>-</td><td>-</td><td>92,5</td><td>-</td><td>-</td><td>-</td><td>-</td><td>80,0</td><td>-</td></tr> <tr><td>134</td><td>-</td><td>-</td><td>-</td><td>-</td><td>87,5</td><td>-</td><td>-</td><td>-</td><td>-</td><td>70,5</td><td>-</td></tr> <tr><td>136</td><td>-</td><td>-</td><td>-</td><td>-</td><td>85,5</td><td>-</td><td>-</td><td>-</td><td>-</td><td>66,0</td><td>-</td></tr> <tr><td>138</td><td>-</td><td>-</td><td>-</td><td>-</td><td>-</td><td>-</td><td>-</td><td>-</td><td>-</td><td>61,5</td><td>-</td></tr> <tr><td>140</td><td>-</td><td>-</td><td>-</td><td>-</td><td>-</td><td>59,5</td><td>57,0</td><td>-</td><td>-</td><td>-</td><td>-</td></tr> <tr><td>142</td><td>-</td><td>-</td><td>-</td><td>-</td><td>-</td><td>58,0</td><td>52,5</td><td>-</td><td>-</td><td>-</td><td>-</td></tr> <tr><td>146</td><td>-</td><td>-</td><td>-</td><td>-</td><td>-</td><td>54,5</td><td>47,9</td><td>-</td><td>-</td><td>-</td><td>-</td></tr> <tr><td>150</td><td>-</td><td>-</td><td>-</td><td>-</td><td>-</td><td>-</td><td>42,3</td><td>-</td><td>-</td><td>-</td><td>-</td></tr> <tr><td>154</td><td>-</td><td>-</td><td>-</td><td>-</td><td>-</td><td>-</td><td>33,9</td><td>-</td><td>-</td><td>-</td><td>-</td></tr> </tbody> </table>  |      |         |       |        |       |              |      |      |   |       |      | SWSL |  |  |  |  |  |  |  |  |  |  | SFSL | 0 t |  |  |  |  |  |  |  |  |  |  |  | 0 t - 640 t |  |  |  |  |  |  |  |  |  |  |  |  | 85° | 85° | 75° | 65° | 55° | 45° |  |  |  |  |  | m | t | t | t | t | t | t | t | t | t | t | t | 36 | - | 167,0* | - | - | - | - | - | - | - | - | - | 38 | - | 167,0* | - | - | - | - | - | - | - | - | - | 42 | - | 164,0* | - | - | - | - | - | - | - | - | - | 46 | 86,0 | 173,0 | - | - | - | - | - | - | - | 170,0 | - | 50 | 76,0 | 170,0 | - | - | - | - | - | - | - | 170,0 | - | 54 | 67,5 | 168,0 | - | - | - | - | - | - | - | 170,0 | - | 58 | 60,0 | 166,0 | - | - | - | - | - | - | - | 170,0 | - | 62 | 53,5 | 163,0 | - | - | - | - | - | - | - | 170,0 | - | 66 | 47,6 | 161,0 | - | - | - | - | - | - | - | 170,0 | - | 70 | 42,2 | 158,0 | - | - | - | - | - | - | - | 167,0 | - | 72 | 39,8 | 157,0 | 168,0 | - | - | - | - | - | - | 166,0 | - | 74 | 37,4 | 156,0 | 168,0 | - | - | - | - | - | - | 165,0 | - | 78 | 33,0 | 148,0 | 168,0 | - | - | - | - | - | - | 162,0 | - | 82 | 29,0 | 136,0 | 168,0 | - | - | - | - | - | - | 159,0 | - | 86 | 25,3 | 125,0 | 164,0 | - | - | - | - | - | - | 157,0 | - | 88 | 23,6 | 120,0 | 157,0 | - | - | - | - | - | - | 155,0 | - | 90 | 22,0 | 115,5 | 150,0 | - | - | - | - | - | - | 153,0 | - | 94 | 18,8 | 105,5 | 138,0 | - | - | - | - | - | - | 150,0 | - | 98  | 15,8 | 94,0 | 127,0 | 150,0 | - | - | - | - | - | 147,0 | - | 100 | 14,4 | 88,0 | 121,0 | 150,0 | - | - | - | - | - | 145,5 | - | 102 | - | -    | 117,0 | 150,0 | - | - | - | - | - | 144,0 | - | 106 | - | -    | 108,0 | 137,0 | - | - | - | - | - | 137,0 | - | 110 | - | - | 100,0 | 126,0 | - | - | - | - | - | 127,0 | - | 112 | - | - | 96,0 | 121,0 | - | - | - | - | - | 122,5 | - | 114 | - | - | -    | 117,0 | - | - | - | - | - | 118,0 | - | 118 | - | - | -    | 108,0 | - | - | - | - | - | 110,0 | - | 120 | - | - | - | 104,0 | 106,0 | - | - | - | - | 105,0 | - | 122 | - | - | - | 100,0 | 103,0 | - | - | - | - | 100,0 | - | 124 | - | - | - | 96,0 | 100,0 | - | - | - | - | 94,7 | - | 126 | - | - | - | -    | 97,5 | - | - | - | - | 89,5 | - | 130 | - | - | - | - | 92,5 | - | - | - | - | 80,0 | - | 134 | - | - | - | - | 87,5 | - | - | - | - | 70,5 | - | 136 | - | - | - | - | 85,5 | - | - | - | - | 66,0 | - | 138 | - | - | - | - | -    | - | - | - | - | 61,5 | - | 140 | - | - | - | - | - | 59,5 | 57,0 | - | - | - | - | 142 | - | - | - | - | - | 58,0 | 52,5 | - | - | - | - | 146 | - | - | - | - | - | 54,5 | 47,9 | - | - | - | - | 150 | - | - | - | - | - | - | 42,3 | - | - | - | - | 154 | - | - | - | - | - | - | 33,9 | - | - | - | - |     |   |   |   |   |   |   |      |   |   |   |   |
| SWSL  |      |         |       |        |       |              |      |      |   |       | SFSL |      |  |  |  |  |  |  |  |  |  |  |      |     |  |  |  |  |  |  |  |  |  |  |  |             |  |  |  |  |  |  |  |  |  |  |  |  |     |     |     |     |     |     |  |  |  |  |  |   |   |   |   |   |   |   |   |   |   |   |   |    |   |        |   |   |   |   |   |   |   |   |   |    |   |        |   |   |   |   |   |   |   |   |   |    |   |        |   |   |   |   |   |   |   |   |   |    |      |       |   |   |   |   |   |   |   |       |   |    |      |       |   |   |   |   |   |   |   |       |   |    |      |       |   |   |   |   |   |   |   |       |   |    |      |       |   |   |   |   |   |   |   |       |   |    |      |       |   |   |   |   |   |   |   |       |   |    |      |       |   |   |   |   |   |   |   |       |   |    |      |       |   |   |   |   |   |   |   |       |   |    |      |       |       |   |   |   |   |   |   |       |   |    |      |       |       |   |   |   |   |   |   |       |   |    |      |       |       |   |   |   |   |   |   |       |   |    |      |       |       |   |   |   |   |   |   |       |   |    |      |       |       |   |   |   |   |   |   |       |   |    |      |       |       |   |   |   |   |   |   |       |   |    |      |       |       |   |   |   |   |   |   |       |   |    |      |       |       |   |   |   |   |   |   |       |   |     |      |      |       |       |   |   |   |   |   |       |   |     |      |      |       |       |   |   |   |   |   |       |   |     |   |      |       |       |   |   |   |   |   |       |   |     |   |      |       |       |   |   |   |   |   |       |   |     |   |   |       |       |   |   |   |   |   |       |   |     |   |   |      |       |   |   |   |   |   |       |   |     |   |   |      |       |   |   |   |   |   |       |   |     |   |   |      |       |   |   |   |   |   |       |   |     |   |   |   |       |       |   |   |   |   |       |   |     |   |   |   |       |       |   |   |   |   |       |   |     |   |   |   |      |       |   |   |   |   |      |   |     |   |   |   |      |      |   |   |   |   |      |   |     |   |   |   |   |      |   |   |   |   |      |   |     |   |   |   |   |      |   |   |   |   |      |   |     |   |   |   |   |      |   |   |   |   |      |   |     |   |   |   |   |      |   |   |   |   |      |   |     |   |   |   |   |   |      |      |   |   |   |   |     |   |   |   |   |   |      |      |   |   |   |   |     |   |   |   |   |   |      |      |   |   |   |   |     |   |   |   |   |   |   |      |   |   |   |   |     |   |   |   |   |   |   |      |   |   |   |   |     |   |   |   |   |   |   |      |   |   |   |   |
| 0 t   |      |         |       |        |       |              |      |      |   |       |      |      |  |  |  |  |  |  |  |  |  |  |      |     |  |  |  |  |  |  |  |  |  |  |  |             |  |  |  |  |  |  |  |  |  |  |  |  |     |     |     |     |     |     |  |  |  |  |  |   |   |   |   |   |   |   |   |   |   |   |   |    |   |        |   |   |   |   |   |   |   |   |   |    |   |        |   |   |   |   |   |   |   |   |   |    |   |        |   |   |   |   |   |   |   |   |   |    |      |       |   |   |   |   |   |   |   |       |   |    |      |       |   |   |   |   |   |   |   |       |   |    |      |       |   |   |   |   |   |   |   |       |   |    |      |       |   |   |   |   |   |   |   |       |   |    |      |       |   |   |   |   |   |   |   |       |   |    |      |       |   |   |   |   |   |   |   |       |   |    |      |       |   |   |   |   |   |   |   |       |   |    |      |       |       |   |   |   |   |   |   |       |   |    |      |       |       |   |   |   |   |   |   |       |   |    |      |       |       |   |   |   |   |   |   |       |   |    |      |       |       |   |   |   |   |   |   |       |   |    |      |       |       |   |   |   |   |   |   |       |   |    |      |       |       |   |   |   |   |   |   |       |   |    |      |       |       |   |   |   |   |   |   |       |   |    |      |       |       |   |   |   |   |   |   |       |   |     |      |      |       |       |   |   |   |   |   |       |   |     |      |      |       |       |   |   |   |   |   |       |   |     |   |      |       |       |   |   |   |   |   |       |   |     |   |      |       |       |   |   |   |   |   |       |   |     |   |   |       |       |   |   |   |   |   |       |   |     |   |   |      |       |   |   |   |   |   |       |   |     |   |   |      |       |   |   |   |   |   |       |   |     |   |   |      |       |   |   |   |   |   |       |   |     |   |   |   |       |       |   |   |   |   |       |   |     |   |   |   |       |       |   |   |   |   |       |   |     |   |   |   |      |       |   |   |   |   |      |   |     |   |   |   |      |      |   |   |   |   |      |   |     |   |   |   |   |      |   |   |   |   |      |   |     |   |   |   |   |      |   |   |   |   |      |   |     |   |   |   |   |      |   |   |   |   |      |   |     |   |   |   |   |      |   |   |   |   |      |   |     |   |   |   |   |   |      |      |   |   |   |   |     |   |   |   |   |   |      |      |   |   |   |   |     |   |   |   |   |   |      |      |   |   |   |   |     |   |   |   |   |   |   |      |   |   |   |   |     |   |   |   |   |   |   |      |   |   |   |   |     |   |   |   |   |   |   |      |   |   |   |   |
| 0 t - 640 t   |      |         |       |        |       |              |      |      |   |       |      |      |  |  |  |  |  |  |  |  |  |  |      |     |  |  |  |  |  |  |  |  |  |  |  |             |  |  |  |  |  |  |  |  |  |  |  |  |     |     |     |     |     |     |  |  |  |  |  |   |   |   |   |   |   |   |   |   |   |   |   |    |   |        |   |   |   |   |   |   |   |   |   |    |   |        |   |   |   |   |   |   |   |   |   |    |   |        |   |   |   |   |   |   |   |   |   |    |      |       |   |   |   |   |   |   |   |       |   |    |      |       |   |   |   |   |   |   |   |       |   |    |      |       |   |   |   |   |   |   |   |       |   |    |      |       |   |   |   |   |   |   |   |       |   |    |      |       |   |   |   |   |   |   |   |       |   |    |      |       |   |   |   |   |   |   |   |       |   |    |      |       |   |   |   |   |   |   |   |       |   |    |      |       |       |   |   |   |   |   |   |       |   |    |      |       |       |   |   |   |   |   |   |       |   |    |      |       |       |   |   |   |   |   |   |       |   |    |      |       |       |   |   |   |   |   |   |       |   |    |      |       |       |   |   |   |   |   |   |       |   |    |      |       |       |   |   |   |   |   |   |       |   |    |      |       |       |   |   |   |   |   |   |       |   |    |      |       |       |   |   |   |   |   |   |       |   |     |      |      |       |       |   |   |   |   |   |       |   |     |      |      |       |       |   |   |   |   |   |       |   |     |   |      |       |       |   |   |   |   |   |       |   |     |   |      |       |       |   |   |   |   |   |       |   |     |   |   |       |       |   |   |   |   |   |       |   |     |   |   |      |       |   |   |   |   |   |       |   |     |   |   |      |       |   |   |   |   |   |       |   |     |   |   |      |       |   |   |   |   |   |       |   |     |   |   |   |       |       |   |   |   |   |       |   |     |   |   |   |       |       |   |   |   |   |       |   |     |   |   |   |      |       |   |   |   |   |      |   |     |   |   |   |      |      |   |   |   |   |      |   |     |   |   |   |   |      |   |   |   |   |      |   |     |   |   |   |   |      |   |   |   |   |      |   |     |   |   |   |   |      |   |   |   |   |      |   |     |   |   |   |   |      |   |   |   |   |      |   |     |   |   |   |   |   |      |      |   |   |   |   |     |   |   |   |   |   |      |      |   |   |   |   |     |   |   |   |   |   |      |      |   |   |   |   |     |   |   |   |   |   |   |      |   |   |   |   |     |   |   |   |   |   |   |      |   |   |   |   |     |   |   |   |   |   |   |      |   |   |   |   |
|   | 85°  | 85°     | 75°   | 65°    | 55°   | 45°          |      |      |   |       |      |      |  |  |  |  |  |  |  |  |  |  |      |     |  |  |  |  |  |  |  |  |  |  |  |             |  |  |  |  |  |  |  |  |  |  |  |  |     |     |     |     |     |     |  |  |  |  |  |   |   |   |   |   |   |   |   |   |   |   |   |    |   |        |   |   |   |   |   |   |   |   |   |    |   |        |   |   |   |   |   |   |   |   |   |    |   |        |   |   |   |   |   |   |   |   |   |    |      |       |   |   |   |   |   |   |   |       |   |    |      |       |   |   |   |   |   |   |   |       |   |    |      |       |   |   |   |   |   |   |   |       |   |    |      |       |   |   |   |   |   |   |   |       |   |    |      |       |   |   |   |   |   |   |   |       |   |    |      |       |   |   |   |   |   |   |   |       |   |    |      |       |   |   |   |   |   |   |   |       |   |    |      |       |       |   |   |   |   |   |   |       |   |    |      |       |       |   |   |   |   |   |   |       |   |    |      |       |       |   |   |   |   |   |   |       |   |    |      |       |       |   |   |   |   |   |   |       |   |    |      |       |       |   |   |   |   |   |   |       |   |    |      |       |       |   |   |   |   |   |   |       |   |    |      |       |       |   |   |   |   |   |   |       |   |    |      |       |       |   |   |   |   |   |   |       |   |     |      |      |       |       |   |   |   |   |   |       |   |     |      |      |       |       |   |   |   |   |   |       |   |     |   |      |       |       |   |   |   |   |   |       |   |     |   |      |       |       |   |   |   |   |   |       |   |     |   |   |       |       |   |   |   |   |   |       |   |     |   |   |      |       |   |   |   |   |   |       |   |     |   |   |      |       |   |   |   |   |   |       |   |     |   |   |      |       |   |   |   |   |   |       |   |     |   |   |   |       |       |   |   |   |   |       |   |     |   |   |   |       |       |   |   |   |   |       |   |     |   |   |   |      |       |   |   |   |   |      |   |     |   |   |   |      |      |   |   |   |   |      |   |     |   |   |   |   |      |   |   |   |   |      |   |     |   |   |   |   |      |   |   |   |   |      |   |     |   |   |   |   |      |   |   |   |   |      |   |     |   |   |   |   |      |   |   |   |   |      |   |     |   |   |   |   |   |      |      |   |   |   |   |     |   |   |   |   |   |      |      |   |   |   |   |     |   |   |   |   |   |      |      |   |   |   |   |     |   |   |   |   |   |   |      |   |   |   |   |     |   |   |   |   |   |   |      |   |   |   |   |     |   |   |   |   |   |   |      |   |   |   |   |
| m   | t    | t       | t     | t      | t     | t            | t    | t    | t | t     | t    |      |  |  |  |  |  |  |  |  |  |  |      |     |  |  |  |  |  |  |  |  |  |  |  |             |  |  |  |  |  |  |  |  |  |  |  |  |     |     |     |     |     |     |  |  |  |  |  |   |   |   |   |   |   |   |   |   |   |   |   |    |   |        |   |   |   |   |   |   |   |   |   |    |   |        |   |   |   |   |   |   |   |   |   |    |   |        |   |   |   |   |   |   |   |   |   |    |      |       |   |   |   |   |   |   |   |       |   |    |      |       |   |   |   |   |   |   |   |       |   |    |      |       |   |   |   |   |   |   |   |       |   |    |      |       |   |   |   |   |   |   |   |       |   |    |      |       |   |   |   |   |   |   |   |       |   |    |      |       |   |   |   |   |   |   |   |       |   |    |      |       |   |   |   |   |   |   |   |       |   |    |      |       |       |   |   |   |   |   |   |       |   |    |      |       |       |   |   |   |   |   |   |       |   |    |      |       |       |   |   |   |   |   |   |       |   |    |      |       |       |   |   |   |   |   |   |       |   |    |      |       |       |   |   |   |   |   |   |       |   |    |      |       |       |   |   |   |   |   |   |       |   |    |      |       |       |   |   |   |   |   |   |       |   |    |      |       |       |   |   |   |   |   |   |       |   |     |      |      |       |       |   |   |   |   |   |       |   |     |      |      |       |       |   |   |   |   |   |       |   |     |   |      |       |       |   |   |   |   |   |       |   |     |   |      |       |       |   |   |   |   |   |       |   |     |   |   |       |       |   |   |   |   |   |       |   |     |   |   |      |       |   |   |   |   |   |       |   |     |   |   |      |       |   |   |   |   |   |       |   |     |   |   |      |       |   |   |   |   |   |       |   |     |   |   |   |       |       |   |   |   |   |       |   |     |   |   |   |       |       |   |   |   |   |       |   |     |   |   |   |      |       |   |   |   |   |      |   |     |   |   |   |      |      |   |   |   |   |      |   |     |   |   |   |   |      |   |   |   |   |      |   |     |   |   |   |   |      |   |   |   |   |      |   |     |   |   |   |   |      |   |   |   |   |      |   |     |   |   |   |   |      |   |   |   |   |      |   |     |   |   |   |   |   |      |      |   |   |   |   |     |   |   |   |   |   |      |      |   |   |   |   |     |   |   |   |   |   |      |      |   |   |   |   |     |   |   |   |   |   |   |      |   |   |   |   |     |   |   |   |   |   |   |      |   |   |   |   |     |   |   |   |   |   |   |      |   |   |   |   |
| 36  | -    | 167,0*  | -     | -      | -     | -            | -    | -    | - | -     | -    |      |  |  |  |  |  |  |  |  |  |  |      |     |  |  |  |  |  |  |  |  |  |  |  |             |  |  |  |  |  |  |  |  |  |  |  |  |     |     |     |     |     |     |  |  |  |  |  |   |   |   |   |   |   |   |   |   |   |   |   |    |   |        |   |   |   |   |   |   |   |   |   |    |   |        |   |   |   |   |   |   |   |   |   |    |   |        |   |   |   |   |   |   |   |   |   |    |      |       |   |   |   |   |   |   |   |       |   |    |      |       |   |   |   |   |   |   |   |       |   |    |      |       |   |   |   |   |   |   |   |       |   |    |      |       |   |   |   |   |   |   |   |       |   |    |      |       |   |   |   |   |   |   |   |       |   |    |      |       |   |   |   |   |   |   |   |       |   |    |      |       |   |   |   |   |   |   |   |       |   |    |      |       |       |   |   |   |   |   |   |       |   |    |      |       |       |   |   |   |   |   |   |       |   |    |      |       |       |   |   |   |   |   |   |       |   |    |      |       |       |   |   |   |   |   |   |       |   |    |      |       |       |   |   |   |   |   |   |       |   |    |      |       |       |   |   |   |   |   |   |       |   |    |      |       |       |   |   |   |   |   |   |       |   |    |      |       |       |   |   |   |   |   |   |       |   |     |      |      |       |       |   |   |   |   |   |       |   |     |      |      |       |       |   |   |   |   |   |       |   |     |   |      |       |       |   |   |   |   |   |       |   |     |   |      |       |       |   |   |   |   |   |       |   |     |   |   |       |       |   |   |   |   |   |       |   |     |   |   |      |       |   |   |   |   |   |       |   |     |   |   |      |       |   |   |   |   |   |       |   |     |   |   |      |       |   |   |   |   |   |       |   |     |   |   |   |       |       |   |   |   |   |       |   |     |   |   |   |       |       |   |   |   |   |       |   |     |   |   |   |      |       |   |   |   |   |      |   |     |   |   |   |      |      |   |   |   |   |      |   |     |   |   |   |   |      |   |   |   |   |      |   |     |   |   |   |   |      |   |   |   |   |      |   |     |   |   |   |   |      |   |   |   |   |      |   |     |   |   |   |   |      |   |   |   |   |      |   |     |   |   |   |   |   |      |      |   |   |   |   |     |   |   |   |   |   |      |      |   |   |   |   |     |   |   |   |   |   |      |      |   |   |   |   |     |   |   |   |   |   |   |      |   |   |   |   |     |   |   |   |   |   |   |      |   |   |   |   |     |   |   |   |   |   |   |      |   |   |   |   |
| 38  | -    | 167,0*  | -     | -      | -     | -            | -    | -    | - | -     | -    |      |  |  |  |  |  |  |  |  |  |  |      |     |  |  |  |  |  |  |  |  |  |  |  |             |  |  |  |  |  |  |  |  |  |  |  |  |     |     |     |     |     |     |  |  |  |  |  |   |   |   |   |   |   |   |   |   |   |   |   |    |   |        |   |   |   |   |   |   |   |   |   |    |   |        |   |   |   |   |   |   |   |   |   |    |   |        |   |   |   |   |   |   |   |   |   |    |      |       |   |   |   |   |   |   |   |       |   |    |      |       |   |   |   |   |   |   |   |       |   |    |      |       |   |   |   |   |   |   |   |       |   |    |      |       |   |   |   |   |   |   |   |       |   |    |      |       |   |   |   |   |   |   |   |       |   |    |      |       |   |   |   |   |   |   |   |       |   |    |      |       |   |   |   |   |   |   |   |       |   |    |      |       |       |   |   |   |   |   |   |       |   |    |      |       |       |   |   |   |   |   |   |       |   |    |      |       |       |   |   |   |   |   |   |       |   |    |      |       |       |   |   |   |   |   |   |       |   |    |      |       |       |   |   |   |   |   |   |       |   |    |      |       |       |   |   |   |   |   |   |       |   |    |      |       |       |   |   |   |   |   |   |       |   |    |      |       |       |   |   |   |   |   |   |       |   |     |      |      |       |       |   |   |   |   |   |       |   |     |      |      |       |       |   |   |   |   |   |       |   |     |   |      |       |       |   |   |   |   |   |       |   |     |   |      |       |       |   |   |   |   |   |       |   |     |   |   |       |       |   |   |   |   |   |       |   |     |   |   |      |       |   |   |   |   |   |       |   |     |   |   |      |       |   |   |   |   |   |       |   |     |   |   |      |       |   |   |   |   |   |       |   |     |   |   |   |       |       |   |   |   |   |       |   |     |   |   |   |       |       |   |   |   |   |       |   |     |   |   |   |      |       |   |   |   |   |      |   |     |   |   |   |      |      |   |   |   |   |      |   |     |   |   |   |   |      |   |   |   |   |      |   |     |   |   |   |   |      |   |   |   |   |      |   |     |   |   |   |   |      |   |   |   |   |      |   |     |   |   |   |   |      |   |   |   |   |      |   |     |   |   |   |   |   |      |      |   |   |   |   |     |   |   |   |   |   |      |      |   |   |   |   |     |   |   |   |   |   |      |      |   |   |   |   |     |   |   |   |   |   |   |      |   |   |   |   |     |   |   |   |   |   |   |      |   |   |   |   |     |   |   |   |   |   |   |      |   |   |   |   |
| 42  | -    | 164,0*  | -     | -      | -     | -            | -    | -    | - | -     | -    |      |  |  |  |  |  |  |  |  |  |  |      |     |  |  |  |  |  |  |  |  |  |  |  |             |  |  |  |  |  |  |  |  |  |  |  |  |     |     |     |     |     |     |  |  |  |  |  |   |   |   |   |   |   |   |   |   |   |   |   |    |   |        |   |   |   |   |   |   |   |   |   |    |   |        |   |   |   |   |   |   |   |   |   |    |   |        |   |   |   |   |   |   |   |   |   |    |      |       |   |   |   |   |   |   |   |       |   |    |      |       |   |   |   |   |   |   |   |       |   |    |      |       |   |   |   |   |   |   |   |       |   |    |      |       |   |   |   |   |   |   |   |       |   |    |      |       |   |   |   |   |   |   |   |       |   |    |      |       |   |   |   |   |   |   |   |       |   |    |      |       |   |   |   |   |   |   |   |       |   |    |      |       |       |   |   |   |   |   |   |       |   |    |      |       |       |   |   |   |   |   |   |       |   |    |      |       |       |   |   |   |   |   |   |       |   |    |      |       |       |   |   |   |   |   |   |       |   |    |      |       |       |   |   |   |   |   |   |       |   |    |      |       |       |   |   |   |   |   |   |       |   |    |      |       |       |   |   |   |   |   |   |       |   |    |      |       |       |   |   |   |   |   |   |       |   |     |      |      |       |       |   |   |   |   |   |       |   |     |      |      |       |       |   |   |   |   |   |       |   |     |   |      |       |       |   |   |   |   |   |       |   |     |   |      |       |       |   |   |   |   |   |       |   |     |   |   |       |       |   |   |   |   |   |       |   |     |   |   |      |       |   |   |   |   |   |       |   |     |   |   |      |       |   |   |   |   |   |       |   |     |   |   |      |       |   |   |   |   |   |       |   |     |   |   |   |       |       |   |   |   |   |       |   |     |   |   |   |       |       |   |   |   |   |       |   |     |   |   |   |      |       |   |   |   |   |      |   |     |   |   |   |      |      |   |   |   |   |      |   |     |   |   |   |   |      |   |   |   |   |      |   |     |   |   |   |   |      |   |   |   |   |      |   |     |   |   |   |   |      |   |   |   |   |      |   |     |   |   |   |   |      |   |   |   |   |      |   |     |   |   |   |   |   |      |      |   |   |   |   |     |   |   |   |   |   |      |      |   |   |   |   |     |   |   |   |   |   |      |      |   |   |   |   |     |   |   |   |   |   |   |      |   |   |   |   |     |   |   |   |   |   |   |      |   |   |   |   |     |   |   |   |   |   |   |      |   |   |   |   |
| 46  | 86,0 | 173,0   | -     | -      | -     | -            | -    | -    | - | 170,0 | -    |      |  |  |  |  |  |  |  |  |  |  |      |     |  |  |  |  |  |  |  |  |  |  |  |             |  |  |  |  |  |  |  |  |  |  |  |  |     |     |     |     |     |     |  |  |  |  |  |   |   |   |   |   |   |   |   |   |   |   |   |    |   |        |   |   |   |   |   |   |   |   |   |    |   |        |   |   |   |   |   |   |   |   |   |    |   |        |   |   |   |   |   |   |   |   |   |    |      |       |   |   |   |   |   |   |   |       |   |    |      |       |   |   |   |   |   |   |   |       |   |    |      |       |   |   |   |   |   |   |   |       |   |    |      |       |   |   |   |   |   |   |   |       |   |    |      |       |   |   |   |   |   |   |   |       |   |    |      |       |   |   |   |   |   |   |   |       |   |    |      |       |   |   |   |   |   |   |   |       |   |    |      |       |       |   |   |   |   |   |   |       |   |    |      |       |       |   |   |   |   |   |   |       |   |    |      |       |       |   |   |   |   |   |   |       |   |    |      |       |       |   |   |   |   |   |   |       |   |    |      |       |       |   |   |   |   |   |   |       |   |    |      |       |       |   |   |   |   |   |   |       |   |    |      |       |       |   |   |   |   |   |   |       |   |    |      |       |       |   |   |   |   |   |   |       |   |     |      |      |       |       |   |   |   |   |   |       |   |     |      |      |       |       |   |   |   |   |   |       |   |     |   |      |       |       |   |   |   |   |   |       |   |     |   |      |       |       |   |   |   |   |   |       |   |     |   |   |       |       |   |   |   |   |   |       |   |     |   |   |      |       |   |   |   |   |   |       |   |     |   |   |      |       |   |   |   |   |   |       |   |     |   |   |      |       |   |   |   |   |   |       |   |     |   |   |   |       |       |   |   |   |   |       |   |     |   |   |   |       |       |   |   |   |   |       |   |     |   |   |   |      |       |   |   |   |   |      |   |     |   |   |   |      |      |   |   |   |   |      |   |     |   |   |   |   |      |   |   |   |   |      |   |     |   |   |   |   |      |   |   |   |   |      |   |     |   |   |   |   |      |   |   |   |   |      |   |     |   |   |   |   |      |   |   |   |   |      |   |     |   |   |   |   |   |      |      |   |   |   |   |     |   |   |   |   |   |      |      |   |   |   |   |     |   |   |   |   |   |      |      |   |   |   |   |     |   |   |   |   |   |   |      |   |   |   |   |     |   |   |   |   |   |   |      |   |   |   |   |     |   |   |   |   |   |   |      |   |   |   |   |
| 50  | 76,0 | 170,0   | -     | -      | -     | -            | -    | -    | - | 170,0 | -    |      |  |  |  |  |  |  |  |  |  |  |      |     |  |  |  |  |  |  |  |  |  |  |  |             |  |  |  |  |  |  |  |  |  |  |  |  |     |     |     |     |     |     |  |  |  |  |  |   |   |   |   |   |   |   |   |   |   |   |   |    |   |        |   |   |   |   |   |   |   |   |   |    |   |        |   |   |   |   |   |   |   |   |   |    |   |        |   |   |   |   |   |   |   |   |   |    |      |       |   |   |   |   |   |   |   |       |   |    |      |       |   |   |   |   |   |   |   |       |   |    |      |       |   |   |   |   |   |   |   |       |   |    |      |       |   |   |   |   |   |   |   |       |   |    |      |       |   |   |   |   |   |   |   |       |   |    |      |       |   |   |   |   |   |   |   |       |   |    |      |       |   |   |   |   |   |   |   |       |   |    |      |       |       |   |   |   |   |   |   |       |   |    |      |       |       |   |   |   |   |   |   |       |   |    |      |       |       |   |   |   |   |   |   |       |   |    |      |       |       |   |   |   |   |   |   |       |   |    |      |       |       |   |   |   |   |   |   |       |   |    |      |       |       |   |   |   |   |   |   |       |   |    |      |       |       |   |   |   |   |   |   |       |   |    |      |       |       |   |   |   |   |   |   |       |   |     |      |      |       |       |   |   |   |   |   |       |   |     |      |      |       |       |   |   |   |   |   |       |   |     |   |      |       |       |   |   |   |   |   |       |   |     |   |      |       |       |   |   |   |   |   |       |   |     |   |   |       |       |   |   |   |   |   |       |   |     |   |   |      |       |   |   |   |   |   |       |   |     |   |   |      |       |   |   |   |   |   |       |   |     |   |   |      |       |   |   |   |   |   |       |   |     |   |   |   |       |       |   |   |   |   |       |   |     |   |   |   |       |       |   |   |   |   |       |   |     |   |   |   |      |       |   |   |   |   |      |   |     |   |   |   |      |      |   |   |   |   |      |   |     |   |   |   |   |      |   |   |   |   |      |   |     |   |   |   |   |      |   |   |   |   |      |   |     |   |   |   |   |      |   |   |   |   |      |   |     |   |   |   |   |      |   |   |   |   |      |   |     |   |   |   |   |   |      |      |   |   |   |   |     |   |   |   |   |   |      |      |   |   |   |   |     |   |   |   |   |   |      |      |   |   |   |   |     |   |   |   |   |   |   |      |   |   |   |   |     |   |   |   |   |   |   |      |   |   |   |   |     |   |   |   |   |   |   |      |   |   |   |   |
| 54  | 67,5 | 168,0   | -     | -      | -     | -            | -    | -    | - | 170,0 | -    |      |  |  |  |  |  |  |  |  |  |  |      |     |  |  |  |  |  |  |  |  |  |  |  |             |  |  |  |  |  |  |  |  |  |  |  |  |     |     |     |     |     |     |  |  |  |  |  |   |   |   |   |   |   |   |   |   |   |   |   |    |   |        |   |   |   |   |   |   |   |   |   |    |   |        |   |   |   |   |   |   |   |   |   |    |   |        |   |   |   |   |   |   |   |   |   |    |      |       |   |   |   |   |   |   |   |       |   |    |      |       |   |   |   |   |   |   |   |       |   |    |      |       |   |   |   |   |   |   |   |       |   |    |      |       |   |   |   |   |   |   |   |       |   |    |      |       |   |   |   |   |   |   |   |       |   |    |      |       |   |   |   |   |   |   |   |       |   |    |      |       |   |   |   |   |   |   |   |       |   |    |      |       |       |   |   |   |   |   |   |       |   |    |      |       |       |   |   |   |   |   |   |       |   |    |      |       |       |   |   |   |   |   |   |       |   |    |      |       |       |   |   |   |   |   |   |       |   |    |      |       |       |   |   |   |   |   |   |       |   |    |      |       |       |   |   |   |   |   |   |       |   |    |      |       |       |   |   |   |   |   |   |       |   |    |      |       |       |   |   |   |   |   |   |       |   |     |      |      |       |       |   |   |   |   |   |       |   |     |      |      |       |       |   |   |   |   |   |       |   |     |   |      |       |       |   |   |   |   |   |       |   |     |   |      |       |       |   |   |   |   |   |       |   |     |   |   |       |       |   |   |   |   |   |       |   |     |   |   |      |       |   |   |   |   |   |       |   |     |   |   |      |       |   |   |   |   |   |       |   |     |   |   |      |       |   |   |   |   |   |       |   |     |   |   |   |       |       |   |   |   |   |       |   |     |   |   |   |       |       |   |   |   |   |       |   |     |   |   |   |      |       |   |   |   |   |      |   |     |   |   |   |      |      |   |   |   |   |      |   |     |   |   |   |   |      |   |   |   |   |      |   |     |   |   |   |   |      |   |   |   |   |      |   |     |   |   |   |   |      |   |   |   |   |      |   |     |   |   |   |   |      |   |   |   |   |      |   |     |   |   |   |   |   |      |      |   |   |   |   |     |   |   |   |   |   |      |      |   |   |   |   |     |   |   |   |   |   |      |      |   |   |   |   |     |   |   |   |   |   |   |      |   |   |   |   |     |   |   |   |   |   |   |      |   |   |   |   |     |   |   |   |   |   |   |      |   |   |   |   |
| 58  | 60,0 | 166,0   | -     | -      | -     | -            | -    | -    | - | 170,0 | -    |      |  |  |  |  |  |  |  |  |  |  |      |     |  |  |  |  |  |  |  |  |  |  |  |             |  |  |  |  |  |  |  |  |  |  |  |  |     |     |     |     |     |     |  |  |  |  |  |   |   |   |   |   |   |   |   |   |   |   |   |    |   |        |   |   |   |   |   |   |   |   |   |    |   |        |   |   |   |   |   |   |   |   |   |    |   |        |   |   |   |   |   |   |   |   |   |    |      |       |   |   |   |   |   |   |   |       |   |    |      |       |   |   |   |   |   |   |   |       |   |    |      |       |   |   |   |   |   |   |   |       |   |    |      |       |   |   |   |   |   |   |   |       |   |    |      |       |   |   |   |   |   |   |   |       |   |    |      |       |   |   |   |   |   |   |   |       |   |    |      |       |   |   |   |   |   |   |   |       |   |    |      |       |       |   |   |   |   |   |   |       |   |    |      |       |       |   |   |   |   |   |   |       |   |    |      |       |       |   |   |   |   |   |   |       |   |    |      |       |       |   |   |   |   |   |   |       |   |    |      |       |       |   |   |   |   |   |   |       |   |    |      |       |       |   |   |   |   |   |   |       |   |    |      |       |       |   |   |   |   |   |   |       |   |    |      |       |       |   |   |   |   |   |   |       |   |     |      |      |       |       |   |   |   |   |   |       |   |     |      |      |       |       |   |   |   |   |   |       |   |     |   |      |       |       |   |   |   |   |   |       |   |     |   |      |       |       |   |   |   |   |   |       |   |     |   |   |       |       |   |   |   |   |   |       |   |     |   |   |      |       |   |   |   |   |   |       |   |     |   |   |      |       |   |   |   |   |   |       |   |     |   |   |      |       |   |   |   |   |   |       |   |     |   |   |   |       |       |   |   |   |   |       |   |     |   |   |   |       |       |   |   |   |   |       |   |     |   |   |   |      |       |   |   |   |   |      |   |     |   |   |   |      |      |   |   |   |   |      |   |     |   |   |   |   |      |   |   |   |   |      |   |     |   |   |   |   |      |   |   |   |   |      |   |     |   |   |   |   |      |   |   |   |   |      |   |     |   |   |   |   |      |   |   |   |   |      |   |     |   |   |   |   |   |      |      |   |   |   |   |     |   |   |   |   |   |      |      |   |   |   |   |     |   |   |   |   |   |      |      |   |   |   |   |     |   |   |   |   |   |   |      |   |   |   |   |     |   |   |   |   |   |   |      |   |   |   |   |     |   |   |   |   |   |   |      |   |   |   |   |
| 62  | 53,5 | 163,0   | -     | -      | -     | -            | -    | -    | - | 170,0 | -    |      |  |  |  |  |  |  |  |  |  |  |      |     |  |  |  |  |  |  |  |  |  |  |  |             |  |  |  |  |  |  |  |  |  |  |  |  |     |     |     |     |     |     |  |  |  |  |  |   |   |   |   |   |   |   |   |   |   |   |   |    |   |        |   |   |   |   |   |   |   |   |   |    |   |        |   |   |   |   |   |   |   |   |   |    |   |        |   |   |   |   |   |   |   |   |   |    |      |       |   |   |   |   |   |   |   |       |   |    |      |       |   |   |   |   |   |   |   |       |   |    |      |       |   |   |   |   |   |   |   |       |   |    |      |       |   |   |   |   |   |   |   |       |   |    |      |       |   |   |   |   |   |   |   |       |   |    |      |       |   |   |   |   |   |   |   |       |   |    |      |       |   |   |   |   |   |   |   |       |   |    |      |       |       |   |   |   |   |   |   |       |   |    |      |       |       |   |   |   |   |   |   |       |   |    |      |       |       |   |   |   |   |   |   |       |   |    |      |       |       |   |   |   |   |   |   |       |   |    |      |       |       |   |   |   |   |   |   |       |   |    |      |       |       |   |   |   |   |   |   |       |   |    |      |       |       |   |   |   |   |   |   |       |   |    |      |       |       |   |   |   |   |   |   |       |   |     |      |      |       |       |   |   |   |   |   |       |   |     |      |      |       |       |   |   |   |   |   |       |   |     |   |      |       |       |   |   |   |   |   |       |   |     |   |      |       |       |   |   |   |   |   |       |   |     |   |   |       |       |   |   |   |   |   |       |   |     |   |   |      |       |   |   |   |   |   |       |   |     |   |   |      |       |   |   |   |   |   |       |   |     |   |   |      |       |   |   |   |   |   |       |   |     |   |   |   |       |       |   |   |   |   |       |   |     |   |   |   |       |       |   |   |   |   |       |   |     |   |   |   |      |       |   |   |   |   |      |   |     |   |   |   |      |      |   |   |   |   |      |   |     |   |   |   |   |      |   |   |   |   |      |   |     |   |   |   |   |      |   |   |   |   |      |   |     |   |   |   |   |      |   |   |   |   |      |   |     |   |   |   |   |      |   |   |   |   |      |   |     |   |   |   |   |   |      |      |   |   |   |   |     |   |   |   |   |   |      |      |   |   |   |   |     |   |   |   |   |   |      |      |   |   |   |   |     |   |   |   |   |   |   |      |   |   |   |   |     |   |   |   |   |   |   |      |   |   |   |   |     |   |   |   |   |   |   |      |   |   |   |   |
| 66  | 47,6 | 161,0   | -     | -      | -     | -            | -    | -    | - | 170,0 | -    |      |  |  |  |  |  |  |  |  |  |  |      |     |  |  |  |  |  |  |  |  |  |  |  |             |  |  |  |  |  |  |  |  |  |  |  |  |     |     |     |     |     |     |  |  |  |  |  |   |   |   |   |   |   |   |   |   |   |   |   |    |   |        |   |   |   |   |   |   |   |   |   |    |   |        |   |   |   |   |   |   |   |   |   |    |   |        |   |   |   |   |   |   |   |   |   |    |      |       |   |   |   |   |   |   |   |       |   |    |      |       |   |   |   |   |   |   |   |       |   |    |      |       |   |   |   |   |   |   |   |       |   |    |      |       |   |   |   |   |   |   |   |       |   |    |      |       |   |   |   |   |   |   |   |       |   |    |      |       |   |   |   |   |   |   |   |       |   |    |      |       |   |   |   |   |   |   |   |       |   |    |      |       |       |   |   |   |   |   |   |       |   |    |      |       |       |   |   |   |   |   |   |       |   |    |      |       |       |   |   |   |   |   |   |       |   |    |      |       |       |   |   |   |   |   |   |       |   |    |      |       |       |   |   |   |   |   |   |       |   |    |      |       |       |   |   |   |   |   |   |       |   |    |      |       |       |   |   |   |   |   |   |       |   |    |      |       |       |   |   |   |   |   |   |       |   |     |      |      |       |       |   |   |   |   |   |       |   |     |      |      |       |       |   |   |   |   |   |       |   |     |   |      |       |       |   |   |   |   |   |       |   |     |   |      |       |       |   |   |   |   |   |       |   |     |   |   |       |       |   |   |   |   |   |       |   |     |   |   |      |       |   |   |   |   |   |       |   |     |   |   |      |       |   |   |   |   |   |       |   |     |   |   |      |       |   |   |   |   |   |       |   |     |   |   |   |       |       |   |   |   |   |       |   |     |   |   |   |       |       |   |   |   |   |       |   |     |   |   |   |      |       |   |   |   |   |      |   |     |   |   |   |      |      |   |   |   |   |      |   |     |   |   |   |   |      |   |   |   |   |      |   |     |   |   |   |   |      |   |   |   |   |      |   |     |   |   |   |   |      |   |   |   |   |      |   |     |   |   |   |   |      |   |   |   |   |      |   |     |   |   |   |   |   |      |      |   |   |   |   |     |   |   |   |   |   |      |      |   |   |   |   |     |   |   |   |   |   |      |      |   |   |   |   |     |   |   |   |   |   |   |      |   |   |   |   |     |   |   |   |   |   |   |      |   |   |   |   |     |   |   |   |   |   |   |      |   |   |   |   |
| 70  | 42,2 | 158,0   | -     | -      | -     | -            | -    | -    | - | 167,0 | -    |      |  |  |  |  |  |  |  |  |  |  |      |     |  |  |  |  |  |  |  |  |  |  |  |             |  |  |  |  |  |  |  |  |  |  |  |  |     |     |     |     |     |     |  |  |  |  |  |   |   |   |   |   |   |   |   |   |   |   |   |    |   |        |   |   |   |   |   |   |   |   |   |    |   |        |   |   |   |   |   |   |   |   |   |    |   |        |   |   |   |   |   |   |   |   |   |    |      |       |   |   |   |   |   |   |   |       |   |    |      |       |   |   |   |   |   |   |   |       |   |    |      |       |   |   |   |   |   |   |   |       |   |    |      |       |   |   |   |   |   |   |   |       |   |    |      |       |   |   |   |   |   |   |   |       |   |    |      |       |   |   |   |   |   |   |   |       |   |    |      |       |   |   |   |   |   |   |   |       |   |    |      |       |       |   |   |   |   |   |   |       |   |    |      |       |       |   |   |   |   |   |   |       |   |    |      |       |       |   |   |   |   |   |   |       |   |    |      |       |       |   |   |   |   |   |   |       |   |    |      |       |       |   |   |   |   |   |   |       |   |    |      |       |       |   |   |   |   |   |   |       |   |    |      |       |       |   |   |   |   |   |   |       |   |    |      |       |       |   |   |   |   |   |   |       |   |     |      |      |       |       |   |   |   |   |   |       |   |     |      |      |       |       |   |   |   |   |   |       |   |     |   |      |       |       |   |   |   |   |   |       |   |     |   |      |       |       |   |   |   |   |   |       |   |     |   |   |       |       |   |   |   |   |   |       |   |     |   |   |      |       |   |   |   |   |   |       |   |     |   |   |      |       |   |   |   |   |   |       |   |     |   |   |      |       |   |   |   |   |   |       |   |     |   |   |   |       |       |   |   |   |   |       |   |     |   |   |   |       |       |   |   |   |   |       |   |     |   |   |   |      |       |   |   |   |   |      |   |     |   |   |   |      |      |   |   |   |   |      |   |     |   |   |   |   |      |   |   |   |   |      |   |     |   |   |   |   |      |   |   |   |   |      |   |     |   |   |   |   |      |   |   |   |   |      |   |     |   |   |   |   |      |   |   |   |   |      |   |     |   |   |   |   |   |      |      |   |   |   |   |     |   |   |   |   |   |      |      |   |   |   |   |     |   |   |   |   |   |      |      |   |   |   |   |     |   |   |   |   |   |   |      |   |   |   |   |     |   |   |   |   |   |   |      |   |   |   |   |     |   |   |   |   |   |   |      |   |   |   |   |
| 72  | 39,8 | 157,0   | 168,0 | -      | -     | -            | -    | -    | - | 166,0 | -    |      |  |  |  |  |  |  |  |  |  |  |      |     |  |  |  |  |  |  |  |  |  |  |  |             |  |  |  |  |  |  |  |  |  |  |  |  |     |     |     |     |     |     |  |  |  |  |  |   |   |   |   |   |   |   |   |   |   |   |   |    |   |        |   |   |   |   |   |   |   |   |   |    |   |        |   |   |   |   |   |   |   |   |   |    |   |        |   |   |   |   |   |   |   |   |   |    |      |       |   |   |   |   |   |   |   |       |   |    |      |       |   |   |   |   |   |   |   |       |   |    |      |       |   |   |   |   |   |   |   |       |   |    |      |       |   |   |   |   |   |   |   |       |   |    |      |       |   |   |   |   |   |   |   |       |   |    |      |       |   |   |   |   |   |   |   |       |   |    |      |       |   |   |   |   |   |   |   |       |   |    |      |       |       |   |   |   |   |   |   |       |   |    |      |       |       |   |   |   |   |   |   |       |   |    |      |       |       |   |   |   |   |   |   |       |   |    |      |       |       |   |   |   |   |   |   |       |   |    |      |       |       |   |   |   |   |   |   |       |   |    |      |       |       |   |   |   |   |   |   |       |   |    |      |       |       |   |   |   |   |   |   |       |   |    |      |       |       |   |   |   |   |   |   |       |   |     |      |      |       |       |   |   |   |   |   |       |   |     |      |      |       |       |   |   |   |   |   |       |   |     |   |      |       |       |   |   |   |   |   |       |   |     |   |      |       |       |   |   |   |   |   |       |   |     |   |   |       |       |   |   |   |   |   |       |   |     |   |   |      |       |   |   |   |   |   |       |   |     |   |   |      |       |   |   |   |   |   |       |   |     |   |   |      |       |   |   |   |   |   |       |   |     |   |   |   |       |       |   |   |   |   |       |   |     |   |   |   |       |       |   |   |   |   |       |   |     |   |   |   |      |       |   |   |   |   |      |   |     |   |   |   |      |      |   |   |   |   |      |   |     |   |   |   |   |      |   |   |   |   |      |   |     |   |   |   |   |      |   |   |   |   |      |   |     |   |   |   |   |      |   |   |   |   |      |   |     |   |   |   |   |      |   |   |   |   |      |   |     |   |   |   |   |   |      |      |   |   |   |   |     |   |   |   |   |   |      |      |   |   |   |   |     |   |   |   |   |   |      |      |   |   |   |   |     |   |   |   |   |   |   |      |   |   |   |   |     |   |   |   |   |   |   |      |   |   |   |   |     |   |   |   |   |   |   |      |   |   |   |   |
| 74  | 37,4 | 156,0   | 168,0 | -      | -     | -            | -    | -    | - | 165,0 | -    |      |  |  |  |  |  |  |  |  |  |  |      |     |  |  |  |  |  |  |  |  |  |  |  |             |  |  |  |  |  |  |  |  |  |  |  |  |     |     |     |     |     |     |  |  |  |  |  |   |   |   |   |   |   |   |   |   |   |   |   |    |   |        |   |   |   |   |   |   |   |   |   |    |   |        |   |   |   |   |   |   |   |   |   |    |   |        |   |   |   |   |   |   |   |   |   |    |      |       |   |   |   |   |   |   |   |       |   |    |      |       |   |   |   |   |   |   |   |       |   |    |      |       |   |   |   |   |   |   |   |       |   |    |      |       |   |   |   |   |   |   |   |       |   |    |      |       |   |   |   |   |   |   |   |       |   |    |      |       |   |   |   |   |   |   |   |       |   |    |      |       |   |   |   |   |   |   |   |       |   |    |      |       |       |   |   |   |   |   |   |       |   |    |      |       |       |   |   |   |   |   |   |       |   |    |      |       |       |   |   |   |   |   |   |       |   |    |      |       |       |   |   |   |   |   |   |       |   |    |      |       |       |   |   |   |   |   |   |       |   |    |      |       |       |   |   |   |   |   |   |       |   |    |      |       |       |   |   |   |   |   |   |       |   |    |      |       |       |   |   |   |   |   |   |       |   |     |      |      |       |       |   |   |   |   |   |       |   |     |      |      |       |       |   |   |   |   |   |       |   |     |   |      |       |       |   |   |   |   |   |       |   |     |   |      |       |       |   |   |   |   |   |       |   |     |   |   |       |       |   |   |   |   |   |       |   |     |   |   |      |       |   |   |   |   |   |       |   |     |   |   |      |       |   |   |   |   |   |       |   |     |   |   |      |       |   |   |   |   |   |       |   |     |   |   |   |       |       |   |   |   |   |       |   |     |   |   |   |       |       |   |   |   |   |       |   |     |   |   |   |      |       |   |   |   |   |      |   |     |   |   |   |      |      |   |   |   |   |      |   |     |   |   |   |   |      |   |   |   |   |      |   |     |   |   |   |   |      |   |   |   |   |      |   |     |   |   |   |   |      |   |   |   |   |      |   |     |   |   |   |   |      |   |   |   |   |      |   |     |   |   |   |   |   |      |      |   |   |   |   |     |   |   |   |   |   |      |      |   |   |   |   |     |   |   |   |   |   |      |      |   |   |   |   |     |   |   |   |   |   |   |      |   |   |   |   |     |   |   |   |   |   |   |      |   |   |   |   |     |   |   |   |   |   |   |      |   |   |   |   |
| 78  | 33,0 | 148,0   | 168,0 | -      | -     | -            | -    | -    | - | 162,0 | -    |      |  |  |  |  |  |  |  |  |  |  |      |     |  |  |  |  |  |  |  |  |  |  |  |             |  |  |  |  |  |  |  |  |  |  |  |  |     |     |     |     |     |     |  |  |  |  |  |   |   |   |   |   |   |   |   |   |   |   |   |    |   |        |   |   |   |   |   |   |   |   |   |    |   |        |   |   |   |   |   |   |   |   |   |    |   |        |   |   |   |   |   |   |   |   |   |    |      |       |   |   |   |   |   |   |   |       |   |    |      |       |   |   |   |   |   |   |   |       |   |    |      |       |   |   |   |   |   |   |   |       |   |    |      |       |   |   |   |   |   |   |   |       |   |    |      |       |   |   |   |   |   |   |   |       |   |    |      |       |   |   |   |   |   |   |   |       |   |    |      |       |   |   |   |   |   |   |   |       |   |    |      |       |       |   |   |   |   |   |   |       |   |    |      |       |       |   |   |   |   |   |   |       |   |    |      |       |       |   |   |   |   |   |   |       |   |    |      |       |       |   |   |   |   |   |   |       |   |    |      |       |       |   |   |   |   |   |   |       |   |    |      |       |       |   |   |   |   |   |   |       |   |    |      |       |       |   |   |   |   |   |   |       |   |    |      |       |       |   |   |   |   |   |   |       |   |     |      |      |       |       |   |   |   |   |   |       |   |     |      |      |       |       |   |   |   |   |   |       |   |     |   |      |       |       |   |   |   |   |   |       |   |     |   |      |       |       |   |   |   |   |   |       |   |     |   |   |       |       |   |   |   |   |   |       |   |     |   |   |      |       |   |   |   |   |   |       |   |     |   |   |      |       |   |   |   |   |   |       |   |     |   |   |      |       |   |   |   |   |   |       |   |     |   |   |   |       |       |   |   |   |   |       |   |     |   |   |   |       |       |   |   |   |   |       |   |     |   |   |   |      |       |   |   |   |   |      |   |     |   |   |   |      |      |   |   |   |   |      |   |     |   |   |   |   |      |   |   |   |   |      |   |     |   |   |   |   |      |   |   |   |   |      |   |     |   |   |   |   |      |   |   |   |   |      |   |     |   |   |   |   |      |   |   |   |   |      |   |     |   |   |   |   |   |      |      |   |   |   |   |     |   |   |   |   |   |      |      |   |   |   |   |     |   |   |   |   |   |      |      |   |   |   |   |     |   |   |   |   |   |   |      |   |   |   |   |     |   |   |   |   |   |   |      |   |   |   |   |     |   |   |   |   |   |   |      |   |   |   |   |
| 82  | 29,0 | 136,0   | 168,0 | -      | -     | -            | -    | -    | - | 159,0 | -    |      |  |  |  |  |  |  |  |  |  |  |      |     |  |  |  |  |  |  |  |  |  |  |  |             |  |  |  |  |  |  |  |  |  |  |  |  |     |     |     |     |     |     |  |  |  |  |  |   |   |   |   |   |   |   |   |   |   |   |   |    |   |        |   |   |   |   |   |   |   |   |   |    |   |        |   |   |   |   |   |   |   |   |   |    |   |        |   |   |   |   |   |   |   |   |   |    |      |       |   |   |   |   |   |   |   |       |   |    |      |       |   |   |   |   |   |   |   |       |   |    |      |       |   |   |   |   |   |   |   |       |   |    |      |       |   |   |   |   |   |   |   |       |   |    |      |       |   |   |   |   |   |   |   |       |   |    |      |       |   |   |   |   |   |   |   |       |   |    |      |       |   |   |   |   |   |   |   |       |   |    |      |       |       |   |   |   |   |   |   |       |   |    |      |       |       |   |   |   |   |   |   |       |   |    |      |       |       |   |   |   |   |   |   |       |   |    |      |       |       |   |   |   |   |   |   |       |   |    |      |       |       |   |   |   |   |   |   |       |   |    |      |       |       |   |   |   |   |   |   |       |   |    |      |       |       |   |   |   |   |   |   |       |   |    |      |       |       |   |   |   |   |   |   |       |   |     |      |      |       |       |   |   |   |   |   |       |   |     |      |      |       |       |   |   |   |   |   |       |   |     |   |      |       |       |   |   |   |   |   |       |   |     |   |      |       |       |   |   |   |   |   |       |   |     |   |   |       |       |   |   |   |   |   |       |   |     |   |   |      |       |   |   |   |   |   |       |   |     |   |   |      |       |   |   |   |   |   |       |   |     |   |   |      |       |   |   |   |   |   |       |   |     |   |   |   |       |       |   |   |   |   |       |   |     |   |   |   |       |       |   |   |   |   |       |   |     |   |   |   |      |       |   |   |   |   |      |   |     |   |   |   |      |      |   |   |   |   |      |   |     |   |   |   |   |      |   |   |   |   |      |   |     |   |   |   |   |      |   |   |   |   |      |   |     |   |   |   |   |      |   |   |   |   |      |   |     |   |   |   |   |      |   |   |   |   |      |   |     |   |   |   |   |   |      |      |   |   |   |   |     |   |   |   |   |   |      |      |   |   |   |   |     |   |   |   |   |   |      |      |   |   |   |   |     |   |   |   |   |   |   |      |   |   |   |   |     |   |   |   |   |   |   |      |   |   |   |   |     |   |   |   |   |   |   |      |   |   |   |   |
| 86  | 25,3 | 125,0   | 164,0 | -      | -     | -            | -    | -    | - | 157,0 | -    |      |  |  |  |  |  |  |  |  |  |  |      |     |  |  |  |  |  |  |  |  |  |  |  |             |  |  |  |  |  |  |  |  |  |  |  |  |     |     |     |     |     |     |  |  |  |  |  |   |   |   |   |   |   |   |   |   |   |   |   |    |   |        |   |   |   |   |   |   |   |   |   |    |   |        |   |   |   |   |   |   |   |   |   |    |   |        |   |   |   |   |   |   |   |   |   |    |      |       |   |   |   |   |   |   |   |       |   |    |      |       |   |   |   |   |   |   |   |       |   |    |      |       |   |   |   |   |   |   |   |       |   |    |      |       |   |   |   |   |   |   |   |       |   |    |      |       |   |   |   |   |   |   |   |       |   |    |      |       |   |   |   |   |   |   |   |       |   |    |      |       |   |   |   |   |   |   |   |       |   |    |      |       |       |   |   |   |   |   |   |       |   |    |      |       |       |   |   |   |   |   |   |       |   |    |      |       |       |   |   |   |   |   |   |       |   |    |      |       |       |   |   |   |   |   |   |       |   |    |      |       |       |   |   |   |   |   |   |       |   |    |      |       |       |   |   |   |   |   |   |       |   |    |      |       |       |   |   |   |   |   |   |       |   |    |      |       |       |   |   |   |   |   |   |       |   |     |      |      |       |       |   |   |   |   |   |       |   |     |      |      |       |       |   |   |   |   |   |       |   |     |   |      |       |       |   |   |   |   |   |       |   |     |   |      |       |       |   |   |   |   |   |       |   |     |   |   |       |       |   |   |   |   |   |       |   |     |   |   |      |       |   |   |   |   |   |       |   |     |   |   |      |       |   |   |   |   |   |       |   |     |   |   |      |       |   |   |   |   |   |       |   |     |   |   |   |       |       |   |   |   |   |       |   |     |   |   |   |       |       |   |   |   |   |       |   |     |   |   |   |      |       |   |   |   |   |      |   |     |   |   |   |      |      |   |   |   |   |      |   |     |   |   |   |   |      |   |   |   |   |      |   |     |   |   |   |   |      |   |   |   |   |      |   |     |   |   |   |   |      |   |   |   |   |      |   |     |   |   |   |   |      |   |   |   |   |      |   |     |   |   |   |   |   |      |      |   |   |   |   |     |   |   |   |   |   |      |      |   |   |   |   |     |   |   |   |   |   |      |      |   |   |   |   |     |   |   |   |   |   |   |      |   |   |   |   |     |   |   |   |   |   |   |      |   |   |   |   |     |   |   |   |   |   |   |      |   |   |   |   |
| 88  | 23,6 | 120,0   | 157,0 | -      | -     | -            | -    | -    | - | 155,0 | -    |      |  |  |  |  |  |  |  |  |  |  |      |     |  |  |  |  |  |  |  |  |  |  |  |             |  |  |  |  |  |  |  |  |  |  |  |  |     |     |     |     |     |     |  |  |  |  |  |   |   |   |   |   |   |   |   |   |   |   |   |    |   |        |   |   |   |   |   |   |   |   |   |    |   |        |   |   |   |   |   |   |   |   |   |    |   |        |   |   |   |   |   |   |   |   |   |    |      |       |   |   |   |   |   |   |   |       |   |    |      |       |   |   |   |   |   |   |   |       |   |    |      |       |   |   |   |   |   |   |   |       |   |    |      |       |   |   |   |   |   |   |   |       |   |    |      |       |   |   |   |   |   |   |   |       |   |    |      |       |   |   |   |   |   |   |   |       |   |    |      |       |   |   |   |   |   |   |   |       |   |    |      |       |       |   |   |   |   |   |   |       |   |    |      |       |       |   |   |   |   |   |   |       |   |    |      |       |       |   |   |   |   |   |   |       |   |    |      |       |       |   |   |   |   |   |   |       |   |    |      |       |       |   |   |   |   |   |   |       |   |    |      |       |       |   |   |   |   |   |   |       |   |    |      |       |       |   |   |   |   |   |   |       |   |    |      |       |       |   |   |   |   |   |   |       |   |     |      |      |       |       |   |   |   |   |   |       |   |     |      |      |       |       |   |   |   |   |   |       |   |     |   |      |       |       |   |   |   |   |   |       |   |     |   |      |       |       |   |   |   |   |   |       |   |     |   |   |       |       |   |   |   |   |   |       |   |     |   |   |      |       |   |   |   |   |   |       |   |     |   |   |      |       |   |   |   |   |   |       |   |     |   |   |      |       |   |   |   |   |   |       |   |     |   |   |   |       |       |   |   |   |   |       |   |     |   |   |   |       |       |   |   |   |   |       |   |     |   |   |   |      |       |   |   |   |   |      |   |     |   |   |   |      |      |   |   |   |   |      |   |     |   |   |   |   |      |   |   |   |   |      |   |     |   |   |   |   |      |   |   |   |   |      |   |     |   |   |   |   |      |   |   |   |   |      |   |     |   |   |   |   |      |   |   |   |   |      |   |     |   |   |   |   |   |      |      |   |   |   |   |     |   |   |   |   |   |      |      |   |   |   |   |     |   |   |   |   |   |      |      |   |   |   |   |     |   |   |   |   |   |   |      |   |   |   |   |     |   |   |   |   |   |   |      |   |   |   |   |     |   |   |   |   |   |   |      |   |   |   |   |
| 90  | 22,0 | 115,5   | 150,0 | -      | -     | -            | -    | -    | - | 153,0 | -    |      |  |  |  |  |  |  |  |  |  |  |      |     |  |  |  |  |  |  |  |  |  |  |  |             |  |  |  |  |  |  |  |  |  |  |  |  |     |     |     |     |     |     |  |  |  |  |  |   |   |   |   |   |   |   |   |   |   |   |   |    |   |        |   |   |   |   |   |   |   |   |   |    |   |        |   |   |   |   |   |   |   |   |   |    |   |        |   |   |   |   |   |   |   |   |   |    |      |       |   |   |   |   |   |   |   |       |   |    |      |       |   |   |   |   |   |   |   |       |   |    |      |       |   |   |   |   |   |   |   |       |   |    |      |       |   |   |   |   |   |   |   |       |   |    |      |       |   |   |   |   |   |   |   |       |   |    |      |       |   |   |   |   |   |   |   |       |   |    |      |       |   |   |   |   |   |   |   |       |   |    |      |       |       |   |   |   |   |   |   |       |   |    |      |       |       |   |   |   |   |   |   |       |   |    |      |       |       |   |   |   |   |   |   |       |   |    |      |       |       |   |   |   |   |   |   |       |   |    |      |       |       |   |   |   |   |   |   |       |   |    |      |       |       |   |   |   |   |   |   |       |   |    |      |       |       |   |   |   |   |   |   |       |   |    |      |       |       |   |   |   |   |   |   |       |   |     |      |      |       |       |   |   |   |   |   |       |   |     |      |      |       |       |   |   |   |   |   |       |   |     |   |      |       |       |   |   |   |   |   |       |   |     |   |      |       |       |   |   |   |   |   |       |   |     |   |   |       |       |   |   |   |   |   |       |   |     |   |   |      |       |   |   |   |   |   |       |   |     |   |   |      |       |   |   |   |   |   |       |   |     |   |   |      |       |   |   |   |   |   |       |   |     |   |   |   |       |       |   |   |   |   |       |   |     |   |   |   |       |       |   |   |   |   |       |   |     |   |   |   |      |       |   |   |   |   |      |   |     |   |   |   |      |      |   |   |   |   |      |   |     |   |   |   |   |      |   |   |   |   |      |   |     |   |   |   |   |      |   |   |   |   |      |   |     |   |   |   |   |      |   |   |   |   |      |   |     |   |   |   |   |      |   |   |   |   |      |   |     |   |   |   |   |   |      |      |   |   |   |   |     |   |   |   |   |   |      |      |   |   |   |   |     |   |   |   |   |   |      |      |   |   |   |   |     |   |   |   |   |   |   |      |   |   |   |   |     |   |   |   |   |   |   |      |   |   |   |   |     |   |   |   |   |   |   |      |   |   |   |   |
| 94  | 18,8 | 105,5   | 138,0 | -      | -     | -            | -    | -    | - | 150,0 | -    |      |  |  |  |  |  |  |  |  |  |  |      |     |  |  |  |  |  |  |  |  |  |  |  |             |  |  |  |  |  |  |  |  |  |  |  |  |     |     |     |     |     |     |  |  |  |  |  |   |   |   |   |   |   |   |   |   |   |   |   |    |   |        |   |   |   |   |   |   |   |   |   |    |   |        |   |   |   |   |   |   |   |   |   |    |   |        |   |   |   |   |   |   |   |   |   |    |      |       |   |   |   |   |   |   |   |       |   |    |      |       |   |   |   |   |   |   |   |       |   |    |      |       |   |   |   |   |   |   |   |       |   |    |      |       |   |   |   |   |   |   |   |       |   |    |      |       |   |   |   |   |   |   |   |       |   |    |      |       |   |   |   |   |   |   |   |       |   |    |      |       |   |   |   |   |   |   |   |       |   |    |      |       |       |   |   |   |   |   |   |       |   |    |      |       |       |   |   |   |   |   |   |       |   |    |      |       |       |   |   |   |   |   |   |       |   |    |      |       |       |   |   |   |   |   |   |       |   |    |      |       |       |   |   |   |   |   |   |       |   |    |      |       |       |   |   |   |   |   |   |       |   |    |      |       |       |   |   |   |   |   |   |       |   |    |      |       |       |   |   |   |   |   |   |       |   |     |      |      |       |       |   |   |   |   |   |       |   |     |      |      |       |       |   |   |   |   |   |       |   |     |   |      |       |       |   |   |   |   |   |       |   |     |   |      |       |       |   |   |   |   |   |       |   |     |   |   |       |       |   |   |   |   |   |       |   |     |   |   |      |       |   |   |   |   |   |       |   |     |   |   |      |       |   |   |   |   |   |       |   |     |   |   |      |       |   |   |   |   |   |       |   |     |   |   |   |       |       |   |   |   |   |       |   |     |   |   |   |       |       |   |   |   |   |       |   |     |   |   |   |      |       |   |   |   |   |      |   |     |   |   |   |      |      |   |   |   |   |      |   |     |   |   |   |   |      |   |   |   |   |      |   |     |   |   |   |   |      |   |   |   |   |      |   |     |   |   |   |   |      |   |   |   |   |      |   |     |   |   |   |   |      |   |   |   |   |      |   |     |   |   |   |   |   |      |      |   |   |   |   |     |   |   |   |   |   |      |      |   |   |   |   |     |   |   |   |   |   |      |      |   |   |   |   |     |   |   |   |   |   |   |      |   |   |   |   |     |   |   |   |   |   |   |      |   |   |   |   |     |   |   |   |   |   |   |      |   |   |   |   |
| 98  | 15,8 | 94,0    | 127,0 | 150,0  | -     | -            | -    | -    | - | 147,0 | -    |      |  |  |  |  |  |  |  |  |  |  |      |     |  |  |  |  |  |  |  |  |  |  |  |             |  |  |  |  |  |  |  |  |  |  |  |  |     |     |     |     |     |     |  |  |  |  |  |   |   |   |   |   |   |   |   |   |   |   |   |    |   |        |   |   |   |   |   |   |   |   |   |    |   |        |   |   |   |   |   |   |   |   |   |    |   |        |   |   |   |   |   |   |   |   |   |    |      |       |   |   |   |   |   |   |   |       |   |    |      |       |   |   |   |   |   |   |   |       |   |    |      |       |   |   |   |   |   |   |   |       |   |    |      |       |   |   |   |   |   |   |   |       |   |    |      |       |   |   |   |   |   |   |   |       |   |    |      |       |   |   |   |   |   |   |   |       |   |    |      |       |   |   |   |   |   |   |   |       |   |    |      |       |       |   |   |   |   |   |   |       |   |    |      |       |       |   |   |   |   |   |   |       |   |    |      |       |       |   |   |   |   |   |   |       |   |    |      |       |       |   |   |   |   |   |   |       |   |    |      |       |       |   |   |   |   |   |   |       |   |    |      |       |       |   |   |   |   |   |   |       |   |    |      |       |       |   |   |   |   |   |   |       |   |    |      |       |       |   |   |   |   |   |   |       |   |     |      |      |       |       |   |   |   |   |   |       |   |     |      |      |       |       |   |   |   |   |   |       |   |     |   |      |       |       |   |   |   |   |   |       |   |     |   |      |       |       |   |   |   |   |   |       |   |     |   |   |       |       |   |   |   |   |   |       |   |     |   |   |      |       |   |   |   |   |   |       |   |     |   |   |      |       |   |   |   |   |   |       |   |     |   |   |      |       |   |   |   |   |   |       |   |     |   |   |   |       |       |   |   |   |   |       |   |     |   |   |   |       |       |   |   |   |   |       |   |     |   |   |   |      |       |   |   |   |   |      |   |     |   |   |   |      |      |   |   |   |   |      |   |     |   |   |   |   |      |   |   |   |   |      |   |     |   |   |   |   |      |   |   |   |   |      |   |     |   |   |   |   |      |   |   |   |   |      |   |     |   |   |   |   |      |   |   |   |   |      |   |     |   |   |   |   |   |      |      |   |   |   |   |     |   |   |   |   |   |      |      |   |   |   |   |     |   |   |   |   |   |      |      |   |   |   |   |     |   |   |   |   |   |   |      |   |   |   |   |     |   |   |   |   |   |   |      |   |   |   |   |     |   |   |   |   |   |   |      |   |   |   |   |
| 100   | 14,4 | 88,0    | 121,0 | 150,0  | -     | -            | -    | -    | - | 145,5 | -    |      |  |  |  |  |  |  |  |  |  |  |      |     |  |  |  |  |  |  |  |  |  |  |  |             |  |  |  |  |  |  |  |  |  |  |  |  |     |     |     |     |     |     |  |  |  |  |  |   |   |   |   |   |   |   |   |   |   |   |   |    |   |        |   |   |   |   |   |   |   |   |   |    |   |        |   |   |   |   |   |   |   |   |   |    |   |        |   |   |   |   |   |   |   |   |   |    |      |       |   |   |   |   |   |   |   |       |   |    |      |       |   |   |   |   |   |   |   |       |   |    |      |       |   |   |   |   |   |   |   |       |   |    |      |       |   |   |   |   |   |   |   |       |   |    |      |       |   |   |   |   |   |   |   |       |   |    |      |       |   |   |   |   |   |   |   |       |   |    |      |       |   |   |   |   |   |   |   |       |   |    |      |       |       |   |   |   |   |   |   |       |   |    |      |       |       |   |   |   |   |   |   |       |   |    |      |       |       |   |   |   |   |   |   |       |   |    |      |       |       |   |   |   |   |   |   |       |   |    |      |       |       |   |   |   |   |   |   |       |   |    |      |       |       |   |   |   |   |   |   |       |   |    |      |       |       |   |   |   |   |   |   |       |   |    |      |       |       |   |   |   |   |   |   |       |   |     |      |      |       |       |   |   |   |   |   |       |   |     |      |      |       |       |   |   |   |   |   |       |   |     |   |      |       |       |   |   |   |   |   |       |   |     |   |      |       |       |   |   |   |   |   |       |   |     |   |   |       |       |   |   |   |   |   |       |   |     |   |   |      |       |   |   |   |   |   |       |   |     |   |   |      |       |   |   |   |   |   |       |   |     |   |   |      |       |   |   |   |   |   |       |   |     |   |   |   |       |       |   |   |   |   |       |   |     |   |   |   |       |       |   |   |   |   |       |   |     |   |   |   |      |       |   |   |   |   |      |   |     |   |   |   |      |      |   |   |   |   |      |   |     |   |   |   |   |      |   |   |   |   |      |   |     |   |   |   |   |      |   |   |   |   |      |   |     |   |   |   |   |      |   |   |   |   |      |   |     |   |   |   |   |      |   |   |   |   |      |   |     |   |   |   |   |   |      |      |   |   |   |   |     |   |   |   |   |   |      |      |   |   |   |   |     |   |   |   |   |   |      |      |   |   |   |   |     |   |   |   |   |   |   |      |   |   |   |   |     |   |   |   |   |   |   |      |   |   |   |   |     |   |   |   |   |   |   |      |   |   |   |   |
| 102   | -    | -       | 117,0 | 150,0  | -     | -            | -    | -    | - | 144,0 | -    |      |  |  |  |  |  |  |  |  |  |  |      |     |  |  |  |  |  |  |  |  |  |  |  |             |  |  |  |  |  |  |  |  |  |  |  |  |     |     |     |     |     |     |  |  |  |  |  |   |   |   |   |   |   |   |   |   |   |   |   |    |   |        |   |   |   |   |   |   |   |   |   |    |   |        |   |   |   |   |   |   |   |   |   |    |   |        |   |   |   |   |   |   |   |   |   |    |      |       |   |   |   |   |   |   |   |       |   |    |      |       |   |   |   |   |   |   |   |       |   |    |      |       |   |   |   |   |   |   |   |       |   |    |      |       |   |   |   |   |   |   |   |       |   |    |      |       |   |   |   |   |   |   |   |       |   |    |      |       |   |   |   |   |   |   |   |       |   |    |      |       |   |   |   |   |   |   |   |       |   |    |      |       |       |   |   |   |   |   |   |       |   |    |      |       |       |   |   |   |   |   |   |       |   |    |      |       |       |   |   |   |   |   |   |       |   |    |      |       |       |   |   |   |   |   |   |       |   |    |      |       |       |   |   |   |   |   |   |       |   |    |      |       |       |   |   |   |   |   |   |       |   |    |      |       |       |   |   |   |   |   |   |       |   |    |      |       |       |   |   |   |   |   |   |       |   |     |      |      |       |       |   |   |   |   |   |       |   |     |      |      |       |       |   |   |   |   |   |       |   |     |   |      |       |       |   |   |   |   |   |       |   |     |   |      |       |       |   |   |   |   |   |       |   |     |   |   |       |       |   |   |   |   |   |       |   |     |   |   |      |       |   |   |   |   |   |       |   |     |   |   |      |       |   |   |   |   |   |       |   |     |   |   |      |       |   |   |   |   |   |       |   |     |   |   |   |       |       |   |   |   |   |       |   |     |   |   |   |       |       |   |   |   |   |       |   |     |   |   |   |      |       |   |   |   |   |      |   |     |   |   |   |      |      |   |   |   |   |      |   |     |   |   |   |   |      |   |   |   |   |      |   |     |   |   |   |   |      |   |   |   |   |      |   |     |   |   |   |   |      |   |   |   |   |      |   |     |   |   |   |   |      |   |   |   |   |      |   |     |   |   |   |   |   |      |      |   |   |   |   |     |   |   |   |   |   |      |      |   |   |   |   |     |   |   |   |   |   |      |      |   |   |   |   |     |   |   |   |   |   |   |      |   |   |   |   |     |   |   |   |   |   |   |      |   |   |   |   |     |   |   |   |   |   |   |      |   |   |   |   |
| 106   | -    | -       | 108,0 | 137,0  | -     | -            | -    | -    | - | 137,0 | -    |      |  |  |  |  |  |  |  |  |  |  |      |     |  |  |  |  |  |  |  |  |  |  |  |             |  |  |  |  |  |  |  |  |  |  |  |  |     |     |     |     |     |     |  |  |  |  |  |   |   |   |   |   |   |   |   |   |   |   |   |    |   |        |   |   |   |   |   |   |   |   |   |    |   |        |   |   |   |   |   |   |   |   |   |    |   |        |   |   |   |   |   |   |   |   |   |    |      |       |   |   |   |   |   |   |   |       |   |    |      |       |   |   |   |   |   |   |   |       |   |    |      |       |   |   |   |   |   |   |   |       |   |    |      |       |   |   |   |   |   |   |   |       |   |    |      |       |   |   |   |   |   |   |   |       |   |    |      |       |   |   |   |   |   |   |   |       |   |    |      |       |   |   |   |   |   |   |   |       |   |    |      |       |       |   |   |   |   |   |   |       |   |    |      |       |       |   |   |   |   |   |   |       |   |    |      |       |       |   |   |   |   |   |   |       |   |    |      |       |       |   |   |   |   |   |   |       |   |    |      |       |       |   |   |   |   |   |   |       |   |    |      |       |       |   |   |   |   |   |   |       |   |    |      |       |       |   |   |   |   |   |   |       |   |    |      |       |       |   |   |   |   |   |   |       |   |     |      |      |       |       |   |   |   |   |   |       |   |     |      |      |       |       |   |   |   |   |   |       |   |     |   |      |       |       |   |   |   |   |   |       |   |     |   |      |       |       |   |   |   |   |   |       |   |     |   |   |       |       |   |   |   |   |   |       |   |     |   |   |      |       |   |   |   |   |   |       |   |     |   |   |      |       |   |   |   |   |   |       |   |     |   |   |      |       |   |   |   |   |   |       |   |     |   |   |   |       |       |   |   |   |   |       |   |     |   |   |   |       |       |   |   |   |   |       |   |     |   |   |   |      |       |   |   |   |   |      |   |     |   |   |   |      |      |   |   |   |   |      |   |     |   |   |   |   |      |   |   |   |   |      |   |     |   |   |   |   |      |   |   |   |   |      |   |     |   |   |   |   |      |   |   |   |   |      |   |     |   |   |   |   |      |   |   |   |   |      |   |     |   |   |   |   |   |      |      |   |   |   |   |     |   |   |   |   |   |      |      |   |   |   |   |     |   |   |   |   |   |      |      |   |   |   |   |     |   |   |   |   |   |   |      |   |   |   |   |     |   |   |   |   |   |   |      |   |   |   |   |     |   |   |   |   |   |   |      |   |   |   |   |
| 110   | -    | -       | 100,0 | 126,0  | -     | -            | -    | -    | - | 127,0 | -    |      |  |  |  |  |  |  |  |  |  |  |      |     |  |  |  |  |  |  |  |  |  |  |  |             |  |  |  |  |  |  |  |  |  |  |  |  |     |     |     |     |     |     |  |  |  |  |  |   |   |   |   |   |   |   |   |   |   |   |   |    |   |        |   |   |   |   |   |   |   |   |   |    |   |        |   |   |   |   |   |   |   |   |   |    |   |        |   |   |   |   |   |   |   |   |   |    |      |       |   |   |   |   |   |   |   |       |   |    |      |       |   |   |   |   |   |   |   |       |   |    |      |       |   |   |   |   |   |   |   |       |   |    |      |       |   |   |   |   |   |   |   |       |   |    |      |       |   |   |   |   |   |   |   |       |   |    |      |       |   |   |   |   |   |   |   |       |   |    |      |       |   |   |   |   |   |   |   |       |   |    |      |       |       |   |   |   |   |   |   |       |   |    |      |       |       |   |   |   |   |   |   |       |   |    |      |       |       |   |   |   |   |   |   |       |   |    |      |       |       |   |   |   |   |   |   |       |   |    |      |       |       |   |   |   |   |   |   |       |   |    |      |       |       |   |   |   |   |   |   |       |   |    |      |       |       |   |   |   |   |   |   |       |   |    |      |       |       |   |   |   |   |   |   |       |   |     |      |      |       |       |   |   |   |   |   |       |   |     |      |      |       |       |   |   |   |   |   |       |   |     |   |      |       |       |   |   |   |   |   |       |   |     |   |      |       |       |   |   |   |   |   |       |   |     |   |   |       |       |   |   |   |   |   |       |   |     |   |   |      |       |   |   |   |   |   |       |   |     |   |   |      |       |   |   |   |   |   |       |   |     |   |   |      |       |   |   |   |   |   |       |   |     |   |   |   |       |       |   |   |   |   |       |   |     |   |   |   |       |       |   |   |   |   |       |   |     |   |   |   |      |       |   |   |   |   |      |   |     |   |   |   |      |      |   |   |   |   |      |   |     |   |   |   |   |      |   |   |   |   |      |   |     |   |   |   |   |      |   |   |   |   |      |   |     |   |   |   |   |      |   |   |   |   |      |   |     |   |   |   |   |      |   |   |   |   |      |   |     |   |   |   |   |   |      |      |   |   |   |   |     |   |   |   |   |   |      |      |   |   |   |   |     |   |   |   |   |   |      |      |   |   |   |   |     |   |   |   |   |   |   |      |   |   |   |   |     |   |   |   |   |   |   |      |   |   |   |   |     |   |   |   |   |   |   |      |   |   |   |   |
| 112   | -    | -       | 96,0  | 121,0  | -     | -            | -    | -    | - | 122,5 | -    |      |  |  |  |  |  |  |  |  |  |  |      |     |  |  |  |  |  |  |  |  |  |  |  |             |  |  |  |  |  |  |  |  |  |  |  |  |     |     |     |     |     |     |  |  |  |  |  |   |   |   |   |   |   |   |   |   |   |   |   |    |   |        |   |   |   |   |   |   |   |   |   |    |   |        |   |   |   |   |   |   |   |   |   |    |   |        |   |   |   |   |   |   |   |   |   |    |      |       |   |   |   |   |   |   |   |       |   |    |      |       |   |   |   |   |   |   |   |       |   |    |      |       |   |   |   |   |   |   |   |       |   |    |      |       |   |   |   |   |   |   |   |       |   |    |      |       |   |   |   |   |   |   |   |       |   |    |      |       |   |   |   |   |   |   |   |       |   |    |      |       |   |   |   |   |   |   |   |       |   |    |      |       |       |   |   |   |   |   |   |       |   |    |      |       |       |   |   |   |   |   |   |       |   |    |      |       |       |   |   |   |   |   |   |       |   |    |      |       |       |   |   |   |   |   |   |       |   |    |      |       |       |   |   |   |   |   |   |       |   |    |      |       |       |   |   |   |   |   |   |       |   |    |      |       |       |   |   |   |   |   |   |       |   |    |      |       |       |   |   |   |   |   |   |       |   |     |      |      |       |       |   |   |   |   |   |       |   |     |      |      |       |       |   |   |   |   |   |       |   |     |   |      |       |       |   |   |   |   |   |       |   |     |   |      |       |       |   |   |   |   |   |       |   |     |   |   |       |       |   |   |   |   |   |       |   |     |   |   |      |       |   |   |   |   |   |       |   |     |   |   |      |       |   |   |   |   |   |       |   |     |   |   |      |       |   |   |   |   |   |       |   |     |   |   |   |       |       |   |   |   |   |       |   |     |   |   |   |       |       |   |   |   |   |       |   |     |   |   |   |      |       |   |   |   |   |      |   |     |   |   |   |      |      |   |   |   |   |      |   |     |   |   |   |   |      |   |   |   |   |      |   |     |   |   |   |   |      |   |   |   |   |      |   |     |   |   |   |   |      |   |   |   |   |      |   |     |   |   |   |   |      |   |   |   |   |      |   |     |   |   |   |   |   |      |      |   |   |   |   |     |   |   |   |   |   |      |      |   |   |   |   |     |   |   |   |   |   |      |      |   |   |   |   |     |   |   |   |   |   |   |      |   |   |   |   |     |   |   |   |   |   |   |      |   |   |   |   |     |   |   |   |   |   |   |      |   |   |   |   |
| 114   | -    | -       | -     | 117,0  | -     | -            | -    | -    | - | 118,0 | -    |      |  |  |  |  |  |  |  |  |  |  |      |     |  |  |  |  |  |  |  |  |  |  |  |             |  |  |  |  |  |  |  |  |  |  |  |  |     |     |     |     |     |     |  |  |  |  |  |   |   |   |   |   |   |   |   |   |   |   |   |    |   |        |   |   |   |   |   |   |   |   |   |    |   |        |   |   |   |   |   |   |   |   |   |    |   |        |   |   |   |   |   |   |   |   |   |    |      |       |   |   |   |   |   |   |   |       |   |    |      |       |   |   |   |   |   |   |   |       |   |    |      |       |   |   |   |   |   |   |   |       |   |    |      |       |   |   |   |   |   |   |   |       |   |    |      |       |   |   |   |   |   |   |   |       |   |    |      |       |   |   |   |   |   |   |   |       |   |    |      |       |   |   |   |   |   |   |   |       |   |    |      |       |       |   |   |   |   |   |   |       |   |    |      |       |       |   |   |   |   |   |   |       |   |    |      |       |       |   |   |   |   |   |   |       |   |    |      |       |       |   |   |   |   |   |   |       |   |    |      |       |       |   |   |   |   |   |   |       |   |    |      |       |       |   |   |   |   |   |   |       |   |    |      |       |       |   |   |   |   |   |   |       |   |    |      |       |       |   |   |   |   |   |   |       |   |     |      |      |       |       |   |   |   |   |   |       |   |     |      |      |       |       |   |   |   |   |   |       |   |     |   |      |       |       |   |   |   |   |   |       |   |     |   |      |       |       |   |   |   |   |   |       |   |     |   |   |       |       |   |   |   |   |   |       |   |     |   |   |      |       |   |   |   |   |   |       |   |     |   |   |      |       |   |   |   |   |   |       |   |     |   |   |      |       |   |   |   |   |   |       |   |     |   |   |   |       |       |   |   |   |   |       |   |     |   |   |   |       |       |   |   |   |   |       |   |     |   |   |   |      |       |   |   |   |   |      |   |     |   |   |   |      |      |   |   |   |   |      |   |     |   |   |   |   |      |   |   |   |   |      |   |     |   |   |   |   |      |   |   |   |   |      |   |     |   |   |   |   |      |   |   |   |   |      |   |     |   |   |   |   |      |   |   |   |   |      |   |     |   |   |   |   |   |      |      |   |   |   |   |     |   |   |   |   |   |      |      |   |   |   |   |     |   |   |   |   |   |      |      |   |   |   |   |     |   |   |   |   |   |   |      |   |   |   |   |     |   |   |   |   |   |   |      |   |   |   |   |     |   |   |   |   |   |   |      |   |   |   |   |
| 118   | -    | -       | -     | 108,0  | -     | -            | -    | -    | - | 110,0 | -    |      |  |  |  |  |  |  |  |  |  |  |      |     |  |  |  |  |  |  |  |  |  |  |  |             |  |  |  |  |  |  |  |  |  |  |  |  |     |     |     |     |     |     |  |  |  |  |  |   |   |   |   |   |   |   |   |   |   |   |   |    |   |        |   |   |   |   |   |   |   |   |   |    |   |        |   |   |   |   |   |   |   |   |   |    |   |        |   |   |   |   |   |   |   |   |   |    |      |       |   |   |   |   |   |   |   |       |   |    |      |       |   |   |   |   |   |   |   |       |   |    |      |       |   |   |   |   |   |   |   |       |   |    |      |       |   |   |   |   |   |   |   |       |   |    |      |       |   |   |   |   |   |   |   |       |   |    |      |       |   |   |   |   |   |   |   |       |   |    |      |       |   |   |   |   |   |   |   |       |   |    |      |       |       |   |   |   |   |   |   |       |   |    |      |       |       |   |   |   |   |   |   |       |   |    |      |       |       |   |   |   |   |   |   |       |   |    |      |       |       |   |   |   |   |   |   |       |   |    |      |       |       |   |   |   |   |   |   |       |   |    |      |       |       |   |   |   |   |   |   |       |   |    |      |       |       |   |   |   |   |   |   |       |   |    |      |       |       |   |   |   |   |   |   |       |   |     |      |      |       |       |   |   |   |   |   |       |   |     |      |      |       |       |   |   |   |   |   |       |   |     |   |      |       |       |   |   |   |   |   |       |   |     |   |      |       |       |   |   |   |   |   |       |   |     |   |   |       |       |   |   |   |   |   |       |   |     |   |   |      |       |   |   |   |   |   |       |   |     |   |   |      |       |   |   |   |   |   |       |   |     |   |   |      |       |   |   |   |   |   |       |   |     |   |   |   |       |       |   |   |   |   |       |   |     |   |   |   |       |       |   |   |   |   |       |   |     |   |   |   |      |       |   |   |   |   |      |   |     |   |   |   |      |      |   |   |   |   |      |   |     |   |   |   |   |      |   |   |   |   |      |   |     |   |   |   |   |      |   |   |   |   |      |   |     |   |   |   |   |      |   |   |   |   |      |   |     |   |   |   |   |      |   |   |   |   |      |   |     |   |   |   |   |   |      |      |   |   |   |   |     |   |   |   |   |   |      |      |   |   |   |   |     |   |   |   |   |   |      |      |   |   |   |   |     |   |   |   |   |   |   |      |   |   |   |   |     |   |   |   |   |   |   |      |   |   |   |   |     |   |   |   |   |   |   |      |   |   |   |   |
| 120   | -    | -       | -     | 104,0  | 106,0 | -            | -    | -    | - | 105,0 | -    |      |  |  |  |  |  |  |  |  |  |  |      |     |  |  |  |  |  |  |  |  |  |  |  |             |  |  |  |  |  |  |  |  |  |  |  |  |     |     |     |     |     |     |  |  |  |  |  |   |   |   |   |   |   |   |   |   |   |   |   |    |   |        |   |   |   |   |   |   |   |   |   |    |   |        |   |   |   |   |   |   |   |   |   |    |   |        |   |   |   |   |   |   |   |   |   |    |      |       |   |   |   |   |   |   |   |       |   |    |      |       |   |   |   |   |   |   |   |       |   |    |      |       |   |   |   |   |   |   |   |       |   |    |      |       |   |   |   |   |   |   |   |       |   |    |      |       |   |   |   |   |   |   |   |       |   |    |      |       |   |   |   |   |   |   |   |       |   |    |      |       |   |   |   |   |   |   |   |       |   |    |      |       |       |   |   |   |   |   |   |       |   |    |      |       |       |   |   |   |   |   |   |       |   |    |      |       |       |   |   |   |   |   |   |       |   |    |      |       |       |   |   |   |   |   |   |       |   |    |      |       |       |   |   |   |   |   |   |       |   |    |      |       |       |   |   |   |   |   |   |       |   |    |      |       |       |   |   |   |   |   |   |       |   |    |      |       |       |   |   |   |   |   |   |       |   |     |      |      |       |       |   |   |   |   |   |       |   |     |      |      |       |       |   |   |   |   |   |       |   |     |   |      |       |       |   |   |   |   |   |       |   |     |   |      |       |       |   |   |   |   |   |       |   |     |   |   |       |       |   |   |   |   |   |       |   |     |   |   |      |       |   |   |   |   |   |       |   |     |   |   |      |       |   |   |   |   |   |       |   |     |   |   |      |       |   |   |   |   |   |       |   |     |   |   |   |       |       |   |   |   |   |       |   |     |   |   |   |       |       |   |   |   |   |       |   |     |   |   |   |      |       |   |   |   |   |      |   |     |   |   |   |      |      |   |   |   |   |      |   |     |   |   |   |   |      |   |   |   |   |      |   |     |   |   |   |   |      |   |   |   |   |      |   |     |   |   |   |   |      |   |   |   |   |      |   |     |   |   |   |   |      |   |   |   |   |      |   |     |   |   |   |   |   |      |      |   |   |   |   |     |   |   |   |   |   |      |      |   |   |   |   |     |   |   |   |   |   |      |      |   |   |   |   |     |   |   |   |   |   |   |      |   |   |   |   |     |   |   |   |   |   |   |      |   |   |   |   |     |   |   |   |   |   |   |      |   |   |   |   |
| 122   | -    | -       | -     | 100,0  | 103,0 | -            | -    | -    | - | 100,0 | -    |      |  |  |  |  |  |  |  |  |  |  |      |     |  |  |  |  |  |  |  |  |  |  |  |             |  |  |  |  |  |  |  |  |  |  |  |  |     |     |     |     |     |     |  |  |  |  |  |   |   |   |   |   |   |   |   |   |   |   |   |    |   |        |   |   |   |   |   |   |   |   |   |    |   |        |   |   |   |   |   |   |   |   |   |    |   |        |   |   |   |   |   |   |   |   |   |    |      |       |   |   |   |   |   |   |   |       |   |    |      |       |   |   |   |   |   |   |   |       |   |    |      |       |   |   |   |   |   |   |   |       |   |    |      |       |   |   |   |   |   |   |   |       |   |    |      |       |   |   |   |   |   |   |   |       |   |    |      |       |   |   |   |   |   |   |   |       |   |    |      |       |   |   |   |   |   |   |   |       |   |    |      |       |       |   |   |   |   |   |   |       |   |    |      |       |       |   |   |   |   |   |   |       |   |    |      |       |       |   |   |   |   |   |   |       |   |    |      |       |       |   |   |   |   |   |   |       |   |    |      |       |       |   |   |   |   |   |   |       |   |    |      |       |       |   |   |   |   |   |   |       |   |    |      |       |       |   |   |   |   |   |   |       |   |    |      |       |       |   |   |   |   |   |   |       |   |     |      |      |       |       |   |   |   |   |   |       |   |     |      |      |       |       |   |   |   |   |   |       |   |     |   |      |       |       |   |   |   |   |   |       |   |     |   |      |       |       |   |   |   |   |   |       |   |     |   |   |       |       |   |   |   |   |   |       |   |     |   |   |      |       |   |   |   |   |   |       |   |     |   |   |      |       |   |   |   |   |   |       |   |     |   |   |      |       |   |   |   |   |   |       |   |     |   |   |   |       |       |   |   |   |   |       |   |     |   |   |   |       |       |   |   |   |   |       |   |     |   |   |   |      |       |   |   |   |   |      |   |     |   |   |   |      |      |   |   |   |   |      |   |     |   |   |   |   |      |   |   |   |   |      |   |     |   |   |   |   |      |   |   |   |   |      |   |     |   |   |   |   |      |   |   |   |   |      |   |     |   |   |   |   |      |   |   |   |   |      |   |     |   |   |   |   |   |      |      |   |   |   |   |     |   |   |   |   |   |      |      |   |   |   |   |     |   |   |   |   |   |      |      |   |   |   |   |     |   |   |   |   |   |   |      |   |   |   |   |     |   |   |   |   |   |   |      |   |   |   |   |     |   |   |   |   |   |   |      |   |   |   |   |
| 124   | -    | -       | -     | 96,0   | 100,0 | -            | -    | -    | - | 94,7  | -    |      |  |  |  |  |  |  |  |  |  |  |      |     |  |  |  |  |  |  |  |  |  |  |  |             |  |  |  |  |  |  |  |  |  |  |  |  |     |     |     |     |     |     |  |  |  |  |  |   |   |   |   |   |   |   |   |   |   |   |   |    |   |        |   |   |   |   |   |   |   |   |   |    |   |        |   |   |   |   |   |   |   |   |   |    |   |        |   |   |   |   |   |   |   |   |   |    |      |       |   |   |   |   |   |   |   |       |   |    |      |       |   |   |   |   |   |   |   |       |   |    |      |       |   |   |   |   |   |   |   |       |   |    |      |       |   |   |   |   |   |   |   |       |   |    |      |       |   |   |   |   |   |   |   |       |   |    |      |       |   |   |   |   |   |   |   |       |   |    |      |       |   |   |   |   |   |   |   |       |   |    |      |       |       |   |   |   |   |   |   |       |   |    |      |       |       |   |   |   |   |   |   |       |   |    |      |       |       |   |   |   |   |   |   |       |   |    |      |       |       |   |   |   |   |   |   |       |   |    |      |       |       |   |   |   |   |   |   |       |   |    |      |       |       |   |   |   |   |   |   |       |   |    |      |       |       |   |   |   |   |   |   |       |   |    |      |       |       |   |   |   |   |   |   |       |   |     |      |      |       |       |   |   |   |   |   |       |   |     |      |      |       |       |   |   |   |   |   |       |   |     |   |      |       |       |   |   |   |   |   |       |   |     |   |      |       |       |   |   |   |   |   |       |   |     |   |   |       |       |   |   |   |   |   |       |   |     |   |   |      |       |   |   |   |   |   |       |   |     |   |   |      |       |   |   |   |   |   |       |   |     |   |   |      |       |   |   |   |   |   |       |   |     |   |   |   |       |       |   |   |   |   |       |   |     |   |   |   |       |       |   |   |   |   |       |   |     |   |   |   |      |       |   |   |   |   |      |   |     |   |   |   |      |      |   |   |   |   |      |   |     |   |   |   |   |      |   |   |   |   |      |   |     |   |   |   |   |      |   |   |   |   |      |   |     |   |   |   |   |      |   |   |   |   |      |   |     |   |   |   |   |      |   |   |   |   |      |   |     |   |   |   |   |   |      |      |   |   |   |   |     |   |   |   |   |   |      |      |   |   |   |   |     |   |   |   |   |   |      |      |   |   |   |   |     |   |   |   |   |   |   |      |   |   |   |   |     |   |   |   |   |   |   |      |   |   |   |   |     |   |   |   |   |   |   |      |   |   |   |   |
| 126   | -    | -       | -     | -      | 97,5  | -            | -    | -    | - | 89,5  | -    |      |  |  |  |  |  |  |  |  |  |  |      |     |  |  |  |  |  |  |  |  |  |  |  |             |  |  |  |  |  |  |  |  |  |  |  |  |     |     |     |     |     |     |  |  |  |  |  |   |   |   |   |   |   |   |   |   |   |   |   |    |   |        |   |   |   |   |   |   |   |   |   |    |   |        |   |   |   |   |   |   |   |   |   |    |   |        |   |   |   |   |   |   |   |   |   |    |      |       |   |   |   |   |   |   |   |       |   |    |      |       |   |   |   |   |   |   |   |       |   |    |      |       |   |   |   |   |   |   |   |       |   |    |      |       |   |   |   |   |   |   |   |       |   |    |      |       |   |   |   |   |   |   |   |       |   |    |      |       |   |   |   |   |   |   |   |       |   |    |      |       |   |   |   |   |   |   |   |       |   |    |      |       |       |   |   |   |   |   |   |       |   |    |      |       |       |   |   |   |   |   |   |       |   |    |      |       |       |   |   |   |   |   |   |       |   |    |      |       |       |   |   |   |   |   |   |       |   |    |      |       |       |   |   |   |   |   |   |       |   |    |      |       |       |   |   |   |   |   |   |       |   |    |      |       |       |   |   |   |   |   |   |       |   |    |      |       |       |   |   |   |   |   |   |       |   |     |      |      |       |       |   |   |   |   |   |       |   |     |      |      |       |       |   |   |   |   |   |       |   |     |   |      |       |       |   |   |   |   |   |       |   |     |   |      |       |       |   |   |   |   |   |       |   |     |   |   |       |       |   |   |   |   |   |       |   |     |   |   |      |       |   |   |   |   |   |       |   |     |   |   |      |       |   |   |   |   |   |       |   |     |   |   |      |       |   |   |   |   |   |       |   |     |   |   |   |       |       |   |   |   |   |       |   |     |   |   |   |       |       |   |   |   |   |       |   |     |   |   |   |      |       |   |   |   |   |      |   |     |   |   |   |      |      |   |   |   |   |      |   |     |   |   |   |   |      |   |   |   |   |      |   |     |   |   |   |   |      |   |   |   |   |      |   |     |   |   |   |   |      |   |   |   |   |      |   |     |   |   |   |   |      |   |   |   |   |      |   |     |   |   |   |   |   |      |      |   |   |   |   |     |   |   |   |   |   |      |      |   |   |   |   |     |   |   |   |   |   |      |      |   |   |   |   |     |   |   |   |   |   |   |      |   |   |   |   |     |   |   |   |   |   |   |      |   |   |   |   |     |   |   |   |   |   |   |      |   |   |   |   |
| 130   | -    | -       | -     | -      | 92,5  | -            | -    | -    | - | 80,0  | -    |      |  |  |  |  |  |  |  |  |  |  |      |     |  |  |  |  |  |  |  |  |  |  |  |             |  |  |  |  |  |  |  |  |  |  |  |  |     |     |     |     |     |     |  |  |  |  |  |   |   |   |   |   |   |   |   |   |   |   |   |    |   |        |   |   |   |   |   |   |   |   |   |    |   |        |   |   |   |   |   |   |   |   |   |    |   |        |   |   |   |   |   |   |   |   |   |    |      |       |   |   |   |   |   |   |   |       |   |    |      |       |   |   |   |   |   |   |   |       |   |    |      |       |   |   |   |   |   |   |   |       |   |    |      |       |   |   |   |   |   |   |   |       |   |    |      |       |   |   |   |   |   |   |   |       |   |    |      |       |   |   |   |   |   |   |   |       |   |    |      |       |   |   |   |   |   |   |   |       |   |    |      |       |       |   |   |   |   |   |   |       |   |    |      |       |       |   |   |   |   |   |   |       |   |    |      |       |       |   |   |   |   |   |   |       |   |    |      |       |       |   |   |   |   |   |   |       |   |    |      |       |       |   |   |   |   |   |   |       |   |    |      |       |       |   |   |   |   |   |   |       |   |    |      |       |       |   |   |   |   |   |   |       |   |    |      |       |       |   |   |   |   |   |   |       |   |     |      |      |       |       |   |   |   |   |   |       |   |     |      |      |       |       |   |   |   |   |   |       |   |     |   |      |       |       |   |   |   |   |   |       |   |     |   |      |       |       |   |   |   |   |   |       |   |     |   |   |       |       |   |   |   |   |   |       |   |     |   |   |      |       |   |   |   |   |   |       |   |     |   |   |      |       |   |   |   |   |   |       |   |     |   |   |      |       |   |   |   |   |   |       |   |     |   |   |   |       |       |   |   |   |   |       |   |     |   |   |   |       |       |   |   |   |   |       |   |     |   |   |   |      |       |   |   |   |   |      |   |     |   |   |   |      |      |   |   |   |   |      |   |     |   |   |   |   |      |   |   |   |   |      |   |     |   |   |   |   |      |   |   |   |   |      |   |     |   |   |   |   |      |   |   |   |   |      |   |     |   |   |   |   |      |   |   |   |   |      |   |     |   |   |   |   |   |      |      |   |   |   |   |     |   |   |   |   |   |      |      |   |   |   |   |     |   |   |   |   |   |      |      |   |   |   |   |     |   |   |   |   |   |   |      |   |   |   |   |     |   |   |   |   |   |   |      |   |   |   |   |     |   |   |   |   |   |   |      |   |   |   |   |
| 134   | -    | -       | -     | -      | 87,5  | -            | -    | -    | - | 70,5  | -    |      |  |  |  |  |  |  |  |  |  |  |      |     |  |  |  |  |  |  |  |  |  |  |  |             |  |  |  |  |  |  |  |  |  |  |  |  |     |     |     |     |     |     |  |  |  |  |  |   |   |   |   |   |   |   |   |   |   |   |   |    |   |        |   |   |   |   |   |   |   |   |   |    |   |        |   |   |   |   |   |   |   |   |   |    |   |        |   |   |   |   |   |   |   |   |   |    |      |       |   |   |   |   |   |   |   |       |   |    |      |       |   |   |   |   |   |   |   |       |   |    |      |       |   |   |   |   |   |   |   |       |   |    |      |       |   |   |   |   |   |   |   |       |   |    |      |       |   |   |   |   |   |   |   |       |   |    |      |       |   |   |   |   |   |   |   |       |   |    |      |       |   |   |   |   |   |   |   |       |   |    |      |       |       |   |   |   |   |   |   |       |   |    |      |       |       |   |   |   |   |   |   |       |   |    |      |       |       |   |   |   |   |   |   |       |   |    |      |       |       |   |   |   |   |   |   |       |   |    |      |       |       |   |   |   |   |   |   |       |   |    |      |       |       |   |   |   |   |   |   |       |   |    |      |       |       |   |   |   |   |   |   |       |   |    |      |       |       |   |   |   |   |   |   |       |   |     |      |      |       |       |   |   |   |   |   |       |   |     |      |      |       |       |   |   |   |   |   |       |   |     |   |      |       |       |   |   |   |   |   |       |   |     |   |      |       |       |   |   |   |   |   |       |   |     |   |   |       |       |   |   |   |   |   |       |   |     |   |   |      |       |   |   |   |   |   |       |   |     |   |   |      |       |   |   |   |   |   |       |   |     |   |   |      |       |   |   |   |   |   |       |   |     |   |   |   |       |       |   |   |   |   |       |   |     |   |   |   |       |       |   |   |   |   |       |   |     |   |   |   |      |       |   |   |   |   |      |   |     |   |   |   |      |      |   |   |   |   |      |   |     |   |   |   |   |      |   |   |   |   |      |   |     |   |   |   |   |      |   |   |   |   |      |   |     |   |   |   |   |      |   |   |   |   |      |   |     |   |   |   |   |      |   |   |   |   |      |   |     |   |   |   |   |   |      |      |   |   |   |   |     |   |   |   |   |   |      |      |   |   |   |   |     |   |   |   |   |   |      |      |   |   |   |   |     |   |   |   |   |   |   |      |   |   |   |   |     |   |   |   |   |   |   |      |   |   |   |   |     |   |   |   |   |   |   |      |   |   |   |   |
| 136   | -    | -       | -     | -      | 85,5  | -            | -    | -    | - | 66,0  | -    |      |  |  |  |  |  |  |  |  |  |  |      |     |  |  |  |  |  |  |  |  |  |  |  |             |  |  |  |  |  |  |  |  |  |  |  |  |     |     |     |     |     |     |  |  |  |  |  |   |   |   |   |   |   |   |   |   |   |   |   |    |   |        |   |   |   |   |   |   |   |   |   |    |   |        |   |   |   |   |   |   |   |   |   |    |   |        |   |   |   |   |   |   |   |   |   |    |      |       |   |   |   |   |   |   |   |       |   |    |      |       |   |   |   |   |   |   |   |       |   |    |      |       |   |   |   |   |   |   |   |       |   |    |      |       |   |   |   |   |   |   |   |       |   |    |      |       |   |   |   |   |   |   |   |       |   |    |      |       |   |   |   |   |   |   |   |       |   |    |      |       |   |   |   |   |   |   |   |       |   |    |      |       |       |   |   |   |   |   |   |       |   |    |      |       |       |   |   |   |   |   |   |       |   |    |      |       |       |   |   |   |   |   |   |       |   |    |      |       |       |   |   |   |   |   |   |       |   |    |      |       |       |   |   |   |   |   |   |       |   |    |      |       |       |   |   |   |   |   |   |       |   |    |      |       |       |   |   |   |   |   |   |       |   |    |      |       |       |   |   |   |   |   |   |       |   |     |      |      |       |       |   |   |   |   |   |       |   |     |      |      |       |       |   |   |   |   |   |       |   |     |   |      |       |       |   |   |   |   |   |       |   |     |   |      |       |       |   |   |   |   |   |       |   |     |   |   |       |       |   |   |   |   |   |       |   |     |   |   |      |       |   |   |   |   |   |       |   |     |   |   |      |       |   |   |   |   |   |       |   |     |   |   |      |       |   |   |   |   |   |       |   |     |   |   |   |       |       |   |   |   |   |       |   |     |   |   |   |       |       |   |   |   |   |       |   |     |   |   |   |      |       |   |   |   |   |      |   |     |   |   |   |      |      |   |   |   |   |      |   |     |   |   |   |   |      |   |   |   |   |      |   |     |   |   |   |   |      |   |   |   |   |      |   |     |   |   |   |   |      |   |   |   |   |      |   |     |   |   |   |   |      |   |   |   |   |      |   |     |   |   |   |   |   |      |      |   |   |   |   |     |   |   |   |   |   |      |      |   |   |   |   |     |   |   |   |   |   |      |      |   |   |   |   |     |   |   |   |   |   |   |      |   |   |   |   |     |   |   |   |   |   |   |      |   |   |   |   |     |   |   |   |   |   |   |      |   |   |   |   |
| 138   | -    | -       | -     | -      | -     | -            | -    | -    | - | 61,5  | -    |      |  |  |  |  |  |  |  |  |  |  |      |     |  |  |  |  |  |  |  |  |  |  |  |             |  |  |  |  |  |  |  |  |  |  |  |  |     |     |     |     |     |     |  |  |  |  |  |   |   |   |   |   |   |   |   |   |   |   |   |    |   |        |   |   |   |   |   |   |   |   |   |    |   |        |   |   |   |   |   |   |   |   |   |    |   |        |   |   |   |   |   |   |   |   |   |    |      |       |   |   |   |   |   |   |   |       |   |    |      |       |   |   |   |   |   |   |   |       |   |    |      |       |   |   |   |   |   |   |   |       |   |    |      |       |   |   |   |   |   |   |   |       |   |    |      |       |   |   |   |   |   |   |   |       |   |    |      |       |   |   |   |   |   |   |   |       |   |    |      |       |   |   |   |   |   |   |   |       |   |    |      |       |       |   |   |   |   |   |   |       |   |    |      |       |       |   |   |   |   |   |   |       |   |    |      |       |       |   |   |   |   |   |   |       |   |    |      |       |       |   |   |   |   |   |   |       |   |    |      |       |       |   |   |   |   |   |   |       |   |    |      |       |       |   |   |   |   |   |   |       |   |    |      |       |       |   |   |   |   |   |   |       |   |    |      |       |       |   |   |   |   |   |   |       |   |     |      |      |       |       |   |   |   |   |   |       |   |     |      |      |       |       |   |   |   |   |   |       |   |     |   |      |       |       |   |   |   |   |   |       |   |     |   |      |       |       |   |   |   |   |   |       |   |     |   |   |       |       |   |   |   |   |   |       |   |     |   |   |      |       |   |   |   |   |   |       |   |     |   |   |      |       |   |   |   |   |   |       |   |     |   |   |      |       |   |   |   |   |   |       |   |     |   |   |   |       |       |   |   |   |   |       |   |     |   |   |   |       |       |   |   |   |   |       |   |     |   |   |   |      |       |   |   |   |   |      |   |     |   |   |   |      |      |   |   |   |   |      |   |     |   |   |   |   |      |   |   |   |   |      |   |     |   |   |   |   |      |   |   |   |   |      |   |     |   |   |   |   |      |   |   |   |   |      |   |     |   |   |   |   |      |   |   |   |   |      |   |     |   |   |   |   |   |      |      |   |   |   |   |     |   |   |   |   |   |      |      |   |   |   |   |     |   |   |   |   |   |      |      |   |   |   |   |     |   |   |   |   |   |   |      |   |   |   |   |     |   |   |   |   |   |   |      |   |   |   |   |     |   |   |   |   |   |   |      |   |   |   |   |
| 140   | -    | -       | -     | -      | -     | 59,5         | 57,0 | -    | - | -     | -    |      |  |  |  |  |  |  |  |  |  |  |      |     |  |  |  |  |  |  |  |  |  |  |  |             |  |  |  |  |  |  |  |  |  |  |  |  |     |     |     |     |     |     |  |  |  |  |  |   |   |   |   |   |   |   |   |   |   |   |   |    |   |        |   |   |   |   |   |   |   |   |   |    |   |        |   |   |   |   |   |   |   |   |   |    |   |        |   |   |   |   |   |   |   |   |   |    |      |       |   |   |   |   |   |   |   |       |   |    |      |       |   |   |   |   |   |   |   |       |   |    |      |       |   |   |   |   |   |   |   |       |   |    |      |       |   |   |   |   |   |   |   |       |   |    |      |       |   |   |   |   |   |   |   |       |   |    |      |       |   |   |   |   |   |   |   |       |   |    |      |       |   |   |   |   |   |   |   |       |   |    |      |       |       |   |   |   |   |   |   |       |   |    |      |       |       |   |   |   |   |   |   |       |   |    |      |       |       |   |   |   |   |   |   |       |   |    |      |       |       |   |   |   |   |   |   |       |   |    |      |       |       |   |   |   |   |   |   |       |   |    |      |       |       |   |   |   |   |   |   |       |   |    |      |       |       |   |   |   |   |   |   |       |   |    |      |       |       |   |   |   |   |   |   |       |   |     |      |      |       |       |   |   |   |   |   |       |   |     |      |      |       |       |   |   |   |   |   |       |   |     |   |      |       |       |   |   |   |   |   |       |   |     |   |      |       |       |   |   |   |   |   |       |   |     |   |   |       |       |   |   |   |   |   |       |   |     |   |   |      |       |   |   |   |   |   |       |   |     |   |   |      |       |   |   |   |   |   |       |   |     |   |   |      |       |   |   |   |   |   |       |   |     |   |   |   |       |       |   |   |   |   |       |   |     |   |   |   |       |       |   |   |   |   |       |   |     |   |   |   |      |       |   |   |   |   |      |   |     |   |   |   |      |      |   |   |   |   |      |   |     |   |   |   |   |      |   |   |   |   |      |   |     |   |   |   |   |      |   |   |   |   |      |   |     |   |   |   |   |      |   |   |   |   |      |   |     |   |   |   |   |      |   |   |   |   |      |   |     |   |   |   |   |   |      |      |   |   |   |   |     |   |   |   |   |   |      |      |   |   |   |   |     |   |   |   |   |   |      |      |   |   |   |   |     |   |   |   |   |   |   |      |   |   |   |   |     |   |   |   |   |   |   |      |   |   |   |   |     |   |   |   |   |   |   |      |   |   |   |   |
| 142   | -    | -       | -     | -      | -     | 58,0         | 52,5 | -    | - | -     | -    |      |  |  |  |  |  |  |  |  |  |  |      |     |  |  |  |  |  |  |  |  |  |  |  |             |  |  |  |  |  |  |  |  |  |  |  |  |     |     |     |     |     |     |  |  |  |  |  |   |   |   |   |   |   |   |   |   |   |   |   |    |   |        |   |   |   |   |   |   |   |   |   |    |   |        |   |   |   |   |   |   |   |   |   |    |   |        |   |   |   |   |   |   |   |   |   |    |      |       |   |   |   |   |   |   |   |       |   |    |      |       |   |   |   |   |   |   |   |       |   |    |      |       |   |   |   |   |   |   |   |       |   |    |      |       |   |   |   |   |   |   |   |       |   |    |      |       |   |   |   |   |   |   |   |       |   |    |      |       |   |   |   |   |   |   |   |       |   |    |      |       |   |   |   |   |   |   |   |       |   |    |      |       |       |   |   |   |   |   |   |       |   |    |      |       |       |   |   |   |   |   |   |       |   |    |      |       |       |   |   |   |   |   |   |       |   |    |      |       |       |   |   |   |   |   |   |       |   |    |      |       |       |   |   |   |   |   |   |       |   |    |      |       |       |   |   |   |   |   |   |       |   |    |      |       |       |   |   |   |   |   |   |       |   |    |      |       |       |   |   |   |   |   |   |       |   |     |      |      |       |       |   |   |   |   |   |       |   |     |      |      |       |       |   |   |   |   |   |       |   |     |   |      |       |       |   |   |   |   |   |       |   |     |   |      |       |       |   |   |   |   |   |       |   |     |   |   |       |       |   |   |   |   |   |       |   |     |   |   |      |       |   |   |   |   |   |       |   |     |   |   |      |       |   |   |   |   |   |       |   |     |   |   |      |       |   |   |   |   |   |       |   |     |   |   |   |       |       |   |   |   |   |       |   |     |   |   |   |       |       |   |   |   |   |       |   |     |   |   |   |      |       |   |   |   |   |      |   |     |   |   |   |      |      |   |   |   |   |      |   |     |   |   |   |   |      |   |   |   |   |      |   |     |   |   |   |   |      |   |   |   |   |      |   |     |   |   |   |   |      |   |   |   |   |      |   |     |   |   |   |   |      |   |   |   |   |      |   |     |   |   |   |   |   |      |      |   |   |   |   |     |   |   |   |   |   |      |      |   |   |   |   |     |   |   |   |   |   |      |      |   |   |   |   |     |   |   |   |   |   |   |      |   |   |   |   |     |   |   |   |   |   |   |      |   |   |   |   |     |   |   |   |   |   |   |      |   |   |   |   |
| 146   | -    | -       | -     | -      | -     | 54,5         | 47,9 | -    | - | -     | -    |      |  |  |  |  |  |  |  |  |  |  |      |     |  |  |  |  |  |  |  |  |  |  |  |             |  |  |  |  |  |  |  |  |  |  |  |  |     |     |     |     |     |     |  |  |  |  |  |   |   |   |   |   |   |   |   |   |   |   |   |    |   |        |   |   |   |   |   |   |   |   |   |    |   |        |   |   |   |   |   |   |   |   |   |    |   |        |   |   |   |   |   |   |   |   |   |    |      |       |   |   |   |   |   |   |   |       |   |    |      |       |   |   |   |   |   |   |   |       |   |    |      |       |   |   |   |   |   |   |   |       |   |    |      |       |   |   |   |   |   |   |   |       |   |    |      |       |   |   |   |   |   |   |   |       |   |    |      |       |   |   |   |   |   |   |   |       |   |    |      |       |   |   |   |   |   |   |   |       |   |    |      |       |       |   |   |   |   |   |   |       |   |    |      |       |       |   |   |   |   |   |   |       |   |    |      |       |       |   |   |   |   |   |   |       |   |    |      |       |       |   |   |   |   |   |   |       |   |    |      |       |       |   |   |   |   |   |   |       |   |    |      |       |       |   |   |   |   |   |   |       |   |    |      |       |       |   |   |   |   |   |   |       |   |    |      |       |       |   |   |   |   |   |   |       |   |     |      |      |       |       |   |   |   |   |   |       |   |     |      |      |       |       |   |   |   |   |   |       |   |     |   |      |       |       |   |   |   |   |   |       |   |     |   |      |       |       |   |   |   |   |   |       |   |     |   |   |       |       |   |   |   |   |   |       |   |     |   |   |      |       |   |   |   |   |   |       |   |     |   |   |      |       |   |   |   |   |   |       |   |     |   |   |      |       |   |   |   |   |   |       |   |     |   |   |   |       |       |   |   |   |   |       |   |     |   |   |   |       |       |   |   |   |   |       |   |     |   |   |   |      |       |   |   |   |   |      |   |     |   |   |   |      |      |   |   |   |   |      |   |     |   |   |   |   |      |   |   |   |   |      |   |     |   |   |   |   |      |   |   |   |   |      |   |     |   |   |   |   |      |   |   |   |   |      |   |     |   |   |   |   |      |   |   |   |   |      |   |     |   |   |   |   |   |      |      |   |   |   |   |     |   |   |   |   |   |      |      |   |   |   |   |     |   |   |   |   |   |      |      |   |   |   |   |     |   |   |   |   |   |   |      |   |   |   |   |     |   |   |   |   |   |   |      |   |   |   |   |     |   |   |   |   |   |   |      |   |   |   |   |
| 150   | -    | -       | -     | -      | -     | -            | 42,3 | -    | - | -     | -    |      |  |  |  |  |  |  |  |  |  |  |      |     |  |  |  |  |  |  |  |  |  |  |  |             |  |  |  |  |  |  |  |  |  |  |  |  |     |     |     |     |     |     |  |  |  |  |  |   |   |   |   |   |   |   |   |   |   |   |   |    |   |        |   |   |   |   |   |   |   |   |   |    |   |        |   |   |   |   |   |   |   |   |   |    |   |        |   |   |   |   |   |   |   |   |   |    |      |       |   |   |   |   |   |   |   |       |   |    |      |       |   |   |   |   |   |   |   |       |   |    |      |       |   |   |   |   |   |   |   |       |   |    |      |       |   |   |   |   |   |   |   |       |   |    |      |       |   |   |   |   |   |   |   |       |   |    |      |       |   |   |   |   |   |   |   |       |   |    |      |       |   |   |   |   |   |   |   |       |   |    |      |       |       |   |   |   |   |   |   |       |   |    |      |       |       |   |   |   |   |   |   |       |   |    |      |       |       |   |   |   |   |   |   |       |   |    |      |       |       |   |   |   |   |   |   |       |   |    |      |       |       |   |   |   |   |   |   |       |   |    |      |       |       |   |   |   |   |   |   |       |   |    |      |       |       |   |   |   |   |   |   |       |   |    |      |       |       |   |   |   |   |   |   |       |   |     |      |      |       |       |   |   |   |   |   |       |   |     |      |      |       |       |   |   |   |   |   |       |   |     |   |      |       |       |   |   |   |   |   |       |   |     |   |      |       |       |   |   |   |   |   |       |   |     |   |   |       |       |   |   |   |   |   |       |   |     |   |   |      |       |   |   |   |   |   |       |   |     |   |   |      |       |   |   |   |   |   |       |   |     |   |   |      |       |   |   |   |   |   |       |   |     |   |   |   |       |       |   |   |   |   |       |   |     |   |   |   |       |       |   |   |   |   |       |   |     |   |   |   |      |       |   |   |   |   |      |   |     |   |   |   |      |      |   |   |   |   |      |   |     |   |   |   |   |      |   |   |   |   |      |   |     |   |   |   |   |      |   |   |   |   |      |   |     |   |   |   |   |      |   |   |   |   |      |   |     |   |   |   |   |      |   |   |   |   |      |   |     |   |   |   |   |   |      |      |   |   |   |   |     |   |   |   |   |   |      |      |   |   |   |   |     |   |   |   |   |   |      |      |   |   |   |   |     |   |   |   |   |   |   |      |   |   |   |   |     |   |   |   |   |   |   |      |   |   |   |   |     |   |   |   |   |   |   |      |   |   |   |   |
| 154   | -    | -       | -     | -      | -     | -            | 33,9 | -    | - | -     | -    |      |  |  |  |  |  |  |  |  |  |  |      |     |  |  |  |  |  |  |  |  |  |  |  |             |  |  |  |  |  |  |  |  |  |  |  |  |     |     |     |     |     |     |  |  |  |  |  |   |   |   |   |   |   |   |   |   |   |   |   |    |   |        |   |   |   |   |   |   |   |   |   |    |   |        |   |   |   |   |   |   |   |   |   |    |   |        |   |   |   |   |   |   |   |   |   |    |      |       |   |   |   |   |   |   |   |       |   |    |      |       |   |   |   |   |   |   |   |       |   |    |      |       |   |   |   |   |   |   |   |       |   |    |      |       |   |   |   |   |   |   |   |       |   |    |      |       |   |   |   |   |   |   |   |       |   |    |      |       |   |   |   |   |   |   |   |       |   |    |      |       |   |   |   |   |   |   |   |       |   |    |      |       |       |   |   |   |   |   |   |       |   |    |      |       |       |   |   |   |   |   |   |       |   |    |      |       |       |   |   |   |   |   |   |       |   |    |      |       |       |   |   |   |   |   |   |       |   |    |      |       |       |   |   |   |   |   |   |       |   |    |      |       |       |   |   |   |   |   |   |       |   |    |      |       |       |   |   |   |   |   |   |       |   |    |      |       |       |   |   |   |   |   |   |       |   |     |      |      |       |       |   |   |   |   |   |       |   |     |      |      |       |       |   |   |   |   |   |       |   |     |   |      |       |       |   |   |   |   |   |       |   |     |   |      |       |       |   |   |   |   |   |       |   |     |   |   |       |       |   |   |   |   |   |       |   |     |   |   |      |       |   |   |   |   |   |       |   |     |   |   |      |       |   |   |   |   |   |       |   |     |   |   |      |       |   |   |   |   |   |       |   |     |   |   |   |       |       |   |   |   |   |       |   |     |   |   |   |       |       |   |   |   |   |       |   |     |   |   |   |      |       |   |   |   |   |      |   |     |   |   |   |      |      |   |   |   |   |      |   |     |   |   |   |   |      |   |   |   |   |      |   |     |   |   |   |   |      |   |   |   |   |      |   |     |   |   |   |   |      |   |   |   |   |      |   |     |   |   |   |   |      |   |   |   |   |      |   |     |   |   |   |   |   |      |      |   |   |   |   |     |   |   |   |   |   |      |      |   |   |   |   |     |   |   |   |   |   |      |      |   |   |   |   |     |   |   |   |   |   |   |      |   |   |   |   |     |   |   |   |   |   |   |      |   |   |   |   |     |   |   |   |   |   |   |      |   |   |   |   |
| <table border="1"> <thead> <tr> <th colspan="11">SWSL</th> <th>SFSL</th> </tr> <tr> <th colspan="12">0 t</th> </tr> <tr> <th colspan="12">0 t - 640 t</th> </tr> <tr> <th></th> <th>85°</th> <th>85°</th> <th>75°</th> <th>65°</th> <th>55°</th> <th>45°</th> <th></th> <th></th> <th></th> <th></th> <th></th> </tr> <tr> <th>m</th> <th>t</th> <th>t</th> <th>t</th> <th>t</th> <th>t</th> <th>t</th> <th>t</th> <th>t</th> <th>t</th> <th>t</th> <th>t</th> </tr> </thead> <tbody> <tr><td>40</td><td>-</td><td>133,0*</td><td>-</td><td>-</td><td>-</td><td>-</td><td>-</td><td>-</td><td>-</td><td>-</td><td>-</td></tr> <tr><td>42</td><td>-</td><td>132,0*</td><td>-</td><td>-</td><td>-</td><td>-</td><td>-</td><td>-</td><td>-</td><td>-</td><td>-</td></tr> <tr><td>46</td><td>-</td><td>130,0*</td><td>-</td><td>-</td><td>-</td><td>-</td><td>-</td><td>-</td><td>-</td><td>-</td><td>-</td></tr> <tr><td>50</td><td>68,5</td><td>134,0</td><td>-</td><td>-</td><td>-</td><td>-</td><td>-</td><td>-</td><td>-</td><td>133,0</td><td>-</td></tr> <tr><td>54</td><td>60,5</td><td>132,0</td><td>-</td><td>-</td><td>-</td><td>-</td><td>-</td><td>-</td><td>-</td><td>133,0</td><td>-</td></tr> <tr><td>58</td><td>53,0</td><td>131,0</td><td>-</td><td>-</td><td>-</td><td>-</td><td>-</td><td>-</td><td>-</td><td>133,0</td><td>-</td></tr> <tr><td>62</td><td>46,8</td><td>129,0</td><td>-</td><td>-</td><td>-</td><td>-</td><td>-</td><td>-</td><td>-</td><td>132,0</td><td>-</td></tr> <tr><td>66</td><td>41,0</td><td>127,0</td><td>-</td><td>-</td><td>-</td><td>-</td><td>-</td><td>-</td><td>-</td><td>131,0</td><td>-</td></tr> <tr><td>70</td><td>35,8</td><td>125,0</td><td>-</td><td>-</td><td>-</td><td>-</td><td>-</td><td>-</td><td>-</td><td>129,0</td><td>-</td></tr> <tr><td>74</td><td>31,1</td><td>123,0</td><td>-</td><td>-</td><td>-</td><td>-</td><td>-</td><td>-</td><td>-</td><td>128,0</td><td>-</td></tr> <tr><td>78</td><td>26,8</td><td>121,0</td><td>124,0</td><td>-</td><td>-</td><td>-</td><td>-</td><td>-</td><td>-</td><td>125,0</td><td>-</td></tr> <tr><td>80</td><td>24,8</td><td>120,0</td><td>124,0</td><td>-</td><td>-</td><td>-</td><td>-</td><td>-</td><td>-</td><td>124,0</td><td>-</td></tr> <tr><td>82</td><td>22,9</td><td>119,0</td><td>124,0</td><td>-</td><td>-</td><td>-</td><td>-</td><td>-</td><td>-</td><td>123,0</td><td>-</td></tr> <tr><td>86</td><td>19,4</td><td>116,5</td><td>124,0</td><td>-</td><td>-</td><td>-</td><td>-</td><td>-</td><td>-</td><td>121,0</td><td>-</td></tr> <tr><td>90</td><td>16,1</td><td>110,5</td><td>124,0</td><td>-</td><td>-</td><td>-</td><td>-</td><td>-</td><td>-</td><td>119,0</td><td>-</td></tr> <tr><td>94</td><td>13,0</td><td>102,0</td><td>124,0</td><td>-</td><td>-</td><td>-</td><td>-</td><td>-</td><td>-</td><td>117,0</td><td>-</td></tr> <tr><td>96</td><td>11,6</td><td>98,0</td><td>124,0</td><td>-</td><td>-</td><td>-</td><td>-</td><td>-</td><td>-</td><td>116,0</td><td>-</td></tr> <tr><td>98</td><td>-</td><td>94,2</td><td>122,0</td><td>-</td><td>-</td><td>-</td><td>-</td><td>-</td><td>-</td><td>115,0</td><td>-</td></tr> <tr><td>102</td><td>-</td><td>87,0</td><td>112,0</td><td>-</td><td>-</td><td>-</td><td>-</td><td>-</td><td>-</td><td>113,0</td><td>-</td></tr> <tr><td>106</td><td>-</td><td>79,0</td><td>103,0</td><td>109,0</td><td>-</td><td>-</td><td>-</td><td>-</td><td>-</td><td>110,0</td><td>-</td></tr> <tr><td>110</td><td>-</td><td>69,5</td><td>95,0</td><td>109,0</td><td>-</td><td>-</td><td>-</td><td>-</td><td>-</td><td>108,0</td><td>-</td></tr> <tr><td>112</td><td>-</td><td>64,5</td><td>91,5</td><td>109,0</td><td>-</td><td>-</td><td>-</td><td>-</td><td>-</td><td>107,0</td><td>-</td></tr> <tr><td>114</td><td>-</td><td>-</td><td>88,0</td><td>109,0</td><td>-</td><td>-</td><td>-</td><td>-</td><td>-</td><td>106,0</td><td>-</td></tr> <tr><td>118</td><td>-</td><td>-</td><td>81,0</td><td>103,0</td><td>-</td><td>-</td><td>-</td><td>-</td><td>-</td><td>104,0</td><td>-</td></tr> <tr><td>122</td><td>-</td><td>-</td><td>75,0</td><td>95,0</td><td>-</td><td>-</td><td>-</td><td>-</td><td>-</td><td>101,0</td><td>-</td></tr> <tr><td>124</td><td>-</td><td>-</td><td>72,0</td><td>91,5</td><td>-</td><td>-</td><td>-</td><td>-</td><td>-</td><td>97,0</td><td>-</td></tr> <tr><td>126</td><td>-</td><td>-</td><td>-</td><td>88,0</td><td>-</td><td>-</td><td>-</td><td>-</td><td>-</td><td>93,0</td><td>-</td></tr> <tr><td>130</td><td>-</td><td>-</td><td>-</td><td>81,0</td><td>85,5</td><td>-</td><td>-</td><td>-</td><td>-</td><td>83,5</td><td>-</td></tr> <tr><td>134</td><td>-</td><td>-</td><td>-</td><td>75,0</td><td>80,5</td><td>-</td><td>-</td><td>-</td><td>-</td><td>75,0</td><td>-</td></tr> <tr><td>136</td><td>-</td><td>-</td><td>-</td><td>72,5</td><td>78,5</td><td>-</td><td>-</td><td>-</td><td>-</td><td>70,5</td><td>-</td></tr> <tr><td>138</td><td>-</td><td>-</td><td>-</td><td>-</td><td>76,0</td><td>-</td><td>-</td><td>-</td><td>-</td><td>66,0</td><td>-</td></tr> <tr><td>142</td><td>-</td><td>-</td><td>-</td><td>-</td><td>72,0</td><td>-</td><td>-</td><td>-</td><td>-</td><td>58,0</td><td>-</td></tr> <tr><td>146</td><td>-</td><td>-</td><td>-</td><td>-</td><td>68,5</td><td>-</td><td>-</td><td>-</td><td>-</td><td>50,0</td><td>-</td></tr> <tr><td>148</td><td>-</td><td>-</td><td>-</td><td>-</td><td>66,5</td><td>-</td><td>-</td><td>-</td><td>-</td><td>46,2</td><td>-</td></tr> <tr><td>150</td><td>-</td><td>-</td><td>-</td><td>-</td><td>-</td><td>44,4</td><td>43,0</td><td>-</td><td>-</td><td>-</td><td>-</td></tr> <tr><td>154</td><td>-</td><td>-</td><td>-</td><td>-</td><td>-</td><td>41,7</td><td>39,4</td><td>-</td><td>-</td><td>-</td><td>-</td></tr> <tr><td>156</td><td>-</td><td>-</td><td>-</td><td>-</td><td>-</td><td>40,8</td><td>36,4</td><td>-</td><td>-</td><td>-</td><td>-</td></tr> <tr><td>158</td><td>-</td><td>-</td><td>-</td><td>-</td><td>-</td><td>-</td><td>33,5</td><td>-</td><td>-</td><td>-</td><td>-</td></tr> <tr><td>162</td><td>-</td><td>-</td><td>-</td><td>-</td><td>-</td><td>-</td><td>26,2</td><td>-</td><td>-</td><td>-</td><td>-</td></tr> <tr><td>166</td><td>-</td><td>-</td><td>-</td><td>-</td><td>-</td><td>-</td><td>18,9</td><td>-</td><td>-</td><td>-</td><td>-</td></tr> </tbody> </table> |      |         |       |        |       |              |      |      |   |       |      | SWSL |  |  |  |  |  |  |  |  |  |  | SFSL | 0 t |  |  |  |  |  |  |  |  |  |  |  | 0 t - 640 t |  |  |  |  |  |  |  |  |  |  |  |  | 85° | 85° | 75° | 65° | 55° | 45° |  |  |  |  |  | m | t | t | t | t | t | t | t | t | t | t | t | 40 | - | 133,0* | - | - | - | - | - | - | - | - | - | 42 | - | 132,0* | - | - | - | - | - | - | - | - | - | 46 | - | 130,0* | - | - | - | - | - | - | - | - | - | 50 | 68,5 | 134,0 | - | - | - | - | - | - | - | 133,0 | - | 54 | 60,5 | 132,0 | - | - | - | - | - | - | - | 133,0 | - | 58 | 53,0 | 131,0 | - | - | - | - | - | - | - | 133,0 | - | 62 | 46,8 | 129,0 | - | - | - | - | - | - | - | 132,0 | - | 66 | 41,0 | 127,0 | - | - | - | - | - | - | - | 131,0 | - | 70 | 35,8 | 125,0 | - | - | - | - | - | - | - | 129,0 | - | 74 | 31,1 | 123,0 | - | - | - | - | - | - | - | 128,0 | - | 78 | 26,8 | 121,0 | 124,0 | - | - | - | - | - | - | 125,0 | - | 80 | 24,8 | 120,0 | 124,0 | - | - | - | - | - | - | 124,0 | - | 82 | 22,9 | 119,0 | 124,0 | - | - | - | - | - | - | 123,0 | - | 86 | 19,4 | 116,5 | 124,0 | - | - | - | - | - | - | 121,0 | - | 90 | 16,1 | 110,5 | 124,0 | - | - | - | - | - | - | 119,0 | - | 94 | 13,0 | 102,0 | 124,0 | - | - | - | - | - | - | 117,0 | - | 96 | 11,6 | 98,0  | 124,0 | - | - | - | - | - | - | 116,0 | - | 98 | -    | 94,2  | 122,0 | - | - | - | - | - | - | 115,0 | - | 102 | -    | 87,0 | 112,0 | -     | - | - | - | - | - | 113,0 | - | 106 | -    | 79,0 | 103,0 | 109,0 | - | - | - | - | - | 110,0 | - | 110 | - | 69,5 | 95,0  | 109,0 | - | - | - | - | - | 108,0 | - | 112 | - | 64,5 | 91,5  | 109,0 | - | - | - | - | - | 107,0 | - | 114 | - | - | 88,0  | 109,0 | - | - | - | - | - | 106,0 | - | 118 | - | - | 81,0 | 103,0 | - | - | - | - | - | 104,0 | - | 122 | - | - | 75,0 | 95,0  | - | - | - | - | - | 101,0 | - | 124 | - | - | 72,0 | 91,5  | - | - | - | - | - | 97,0  | - | 126 | - | - | - | 88,0  | -     | - | - | - | - | 93,0  | - | 130 | - | - | - | 81,0  | 85,5  | - | - | - | - | 83,5  | - | 134 | - | - | - | 75,0 | 80,5  | - | - | - | - | 75,0 | - | 136 | - | - | - | 72,5 | 78,5 | - | - | - | - | 70,5 | - | 138 | - | - | - | - | 76,0 | - | - | - | - | 66,0 | - | 142 | - | - | - | - | 72,0 | - | - | - | - | 58,0 | - | 146 | - | - | - | - | 68,5 | - | - | - | - | 50,0 | - | 148 | - | - | - | - | 66,5 | - | - | - | - | 46,2 | - | 150 | - | - | - | - | - | 44,4 | 43,0 | - | - | - | - | 154 | - | - | - | - | - | 41,7 | 39,4 | - | - | - | - | 156 | - | - | - | - | - | 40,8 | 36,4 | - | - | - | - | 158 | - | - | - | - | - | - | 33,5 | - | - | - | - | 162 | - | - | - | - | - | - | 26,2 | - | - | - | - | 166 | - | - | - | - | - | - | 18,9 | - | - | - | - |
| SWSL  |      |         |       |        |       |              |      |      |   |       | SFSL |      |  |  |  |  |  |  |  |  |  |  |      |     |  |  |  |  |  |  |  |  |  |  |  |             |  |  |  |  |  |  |  |  |  |  |  |  |     |     |     |     |     |     |  |  |  |  |  |   |   |   |   |   |   |   |   |   |   |   |   |    |   |        |   |   |   |   |   |   |   |   |   |    |   |        |   |   |   |   |   |   |   |   |   |    |   |        |   |   |   |   |   |   |   |   |   |    |      |       |   |   |   |   |   |   |   |       |   |    |      |       |   |   |   |   |   |   |   |       |   |    |      |       |   |   |   |   |   |   |   |       |   |    |      |       |   |   |   |   |   |   |   |       |   |    |      |       |   |   |   |   |   |   |   |       |   |    |      |       |   |   |   |   |   |   |   |       |   |    |      |       |   |   |   |   |   |   |   |       |   |    |      |       |       |   |   |   |   |   |   |       |   |    |      |       |       |   |   |   |   |   |   |       |   |    |      |       |       |   |   |   |   |   |   |       |   |    |      |       |       |   |   |   |   |   |   |       |   |    |      |       |       |   |   |   |   |   |   |       |   |    |      |       |       |   |   |   |   |   |   |       |   |    |      |       |       |   |   |   |   |   |   |       |   |    |      |       |       |   |   |   |   |   |   |       |   |     |      |      |       |       |   |   |   |   |   |       |   |     |      |      |       |       |   |   |   |   |   |       |   |     |   |      |       |       |   |   |   |   |   |       |   |     |   |      |       |       |   |   |   |   |   |       |   |     |   |   |       |       |   |   |   |   |   |       |   |     |   |   |      |       |   |   |   |   |   |       |   |     |   |   |      |       |   |   |   |   |   |       |   |     |   |   |      |       |   |   |   |   |   |       |   |     |   |   |   |       |       |   |   |   |   |       |   |     |   |   |   |       |       |   |   |   |   |       |   |     |   |   |   |      |       |   |   |   |   |      |   |     |   |   |   |      |      |   |   |   |   |      |   |     |   |   |   |   |      |   |   |   |   |      |   |     |   |   |   |   |      |   |   |   |   |      |   |     |   |   |   |   |      |   |   |   |   |      |   |     |   |   |   |   |      |   |   |   |   |      |   |     |   |   |   |   |   |      |      |   |   |   |   |     |   |   |   |   |   |      |      |   |   |   |   |     |   |   |   |   |   |      |      |   |   |   |   |     |   |   |   |   |   |   |      |   |   |   |   |     |   |   |   |   |   |   |      |   |   |   |   |     |   |   |   |   |   |   |      |   |   |   |   |
| 0 t   |      |         |       |        |       |              |      |      |   |       |      |      |  |  |  |  |  |  |  |  |  |  |      |     |  |  |  |  |  |  |  |  |  |  |  |             |  |  |  |  |  |  |  |  |  |  |  |  |     |     |     |     |     |     |  |  |  |  |  |   |   |   |   |   |   |   |   |   |   |   |   |    |   |        |   |   |   |   |   |   |   |   |   |    |   |        |   |   |   |   |   |   |   |   |   |    |   |        |   |   |   |   |   |   |   |   |   |    |      |       |   |   |   |   |   |   |   |       |   |    |      |       |   |   |   |   |   |   |   |       |   |    |      |       |   |   |   |   |   |   |   |       |   |    |      |       |   |   |   |   |   |   |   |       |   |    |      |       |   |   |   |   |   |   |   |       |   |    |      |       |   |   |   |   |   |   |   |       |   |    |      |       |   |   |   |   |   |   |   |       |   |    |      |       |       |   |   |   |   |   |   |       |   |    |      |       |       |   |   |   |   |   |   |       |   |    |      |       |       |   |   |   |   |   |   |       |   |    |      |       |       |   |   |   |   |   |   |       |   |    |      |       |       |   |   |   |   |   |   |       |   |    |      |       |       |   |   |   |   |   |   |       |   |    |      |       |       |   |   |   |   |   |   |       |   |    |      |       |       |   |   |   |   |   |   |       |   |     |      |      |       |       |   |   |   |   |   |       |   |     |      |      |       |       |   |   |   |   |   |       |   |     |   |      |       |       |   |   |   |   |   |       |   |     |   |      |       |       |   |   |   |   |   |       |   |     |   |   |       |       |   |   |   |   |   |       |   |     |   |   |      |       |   |   |   |   |   |       |   |     |   |   |      |       |   |   |   |   |   |       |   |     |   |   |      |       |   |   |   |   |   |       |   |     |   |   |   |       |       |   |   |   |   |       |   |     |   |   |   |       |       |   |   |   |   |       |   |     |   |   |   |      |       |   |   |   |   |      |   |     |   |   |   |      |      |   |   |   |   |      |   |     |   |   |   |   |      |   |   |   |   |      |   |     |   |   |   |   |      |   |   |   |   |      |   |     |   |   |   |   |      |   |   |   |   |      |   |     |   |   |   |   |      |   |   |   |   |      |   |     |   |   |   |   |   |      |      |   |   |   |   |     |   |   |   |   |   |      |      |   |   |   |   |     |   |   |   |   |   |      |      |   |   |   |   |     |   |   |   |   |   |   |      |   |   |   |   |     |   |   |   |   |   |   |      |   |   |   |   |     |   |   |   |   |   |   |      |   |   |   |   |
| 0 t - 640 t   |      |         |       |        |       |              |      |      |   |       |      |      |  |  |  |  |  |  |  |  |  |  |      |     |  |  |  |  |  |  |  |  |  |  |  |             |  |  |  |  |  |  |  |  |  |  |  |  |     |     |     |     |     |     |  |  |  |  |  |   |   |   |   |   |   |   |   |   |   |   |   |    |   |        |   |   |   |   |   |   |   |   |   |    |   |        |   |   |   |   |   |   |   |   |   |    |   |        |   |   |   |   |   |   |   |   |   |    |      |       |   |   |   |   |   |   |   |       |   |    |      |       |   |   |   |   |   |   |   |       |   |    |      |       |   |   |   |   |   |   |   |       |   |    |      |       |   |   |   |   |   |   |   |       |   |    |      |       |   |   |   |   |   |   |   |       |   |    |      |       |   |   |   |   |   |   |   |       |   |    |      |       |   |   |   |   |   |   |   |       |   |    |      |       |       |   |   |   |   |   |   |       |   |    |      |       |       |   |   |   |   |   |   |       |   |    |      |       |       |   |   |   |   |   |   |       |   |    |      |       |       |   |   |   |   |   |   |       |   |    |      |       |       |   |   |   |   |   |   |       |   |    |      |       |       |   |   |   |   |   |   |       |   |    |      |       |       |   |   |   |   |   |   |       |   |    |      |       |       |   |   |   |   |   |   |       |   |     |      |      |       |       |   |   |   |   |   |       |   |     |      |      |       |       |   |   |   |   |   |       |   |     |   |      |       |       |   |   |   |   |   |       |   |     |   |      |       |       |   |   |   |   |   |       |   |     |   |   |       |       |   |   |   |   |   |       |   |     |   |   |      |       |   |   |   |   |   |       |   |     |   |   |      |       |   |   |   |   |   |       |   |     |   |   |      |       |   |   |   |   |   |       |   |     |   |   |   |       |       |   |   |   |   |       |   |     |   |   |   |       |       |   |   |   |   |       |   |     |   |   |   |      |       |   |   |   |   |      |   |     |   |   |   |      |      |   |   |   |   |      |   |     |   |   |   |   |      |   |   |   |   |      |   |     |   |   |   |   |      |   |   |   |   |      |   |     |   |   |   |   |      |   |   |   |   |      |   |     |   |   |   |   |      |   |   |   |   |      |   |     |   |   |   |   |   |      |      |   |   |   |   |     |   |   |   |   |   |      |      |   |   |   |   |     |   |   |   |   |   |      |      |   |   |   |   |     |   |   |   |   |   |   |      |   |   |   |   |     |   |   |   |   |   |   |      |   |   |   |   |     |   |   |   |   |   |   |      |   |   |   |   |
|   | 85°  | 85°     | 75°   | 65°    | 55°   | 45°          |      |      |   |       |      |      |  |  |  |  |  |  |  |  |  |  |      |     |  |  |  |  |  |  |  |  |  |  |  |             |  |  |  |  |  |  |  |  |  |  |  |  |     |     |     |     |     |     |  |  |  |  |  |   |   |   |   |   |   |   |   |   |   |   |   |    |   |        |   |   |   |   |   |   |   |   |   |    |   |        |   |   |   |   |   |   |   |   |   |    |   |        |   |   |   |   |   |   |   |   |   |    |      |       |   |   |   |   |   |   |   |       |   |    |      |       |   |   |   |   |   |   |   |       |   |    |      |       |   |   |   |   |   |   |   |       |   |    |      |       |   |   |   |   |   |   |   |       |   |    |      |       |   |   |   |   |   |   |   |       |   |    |      |       |   |   |   |   |   |   |   |       |   |    |      |       |   |   |   |   |   |   |   |       |   |    |      |       |       |   |   |   |   |   |   |       |   |    |      |       |       |   |   |   |   |   |   |       |   |    |      |       |       |   |   |   |   |   |   |       |   |    |      |       |       |   |   |   |   |   |   |       |   |    |      |       |       |   |   |   |   |   |   |       |   |    |      |       |       |   |   |   |   |   |   |       |   |    |      |       |       |   |   |   |   |   |   |       |   |    |      |       |       |   |   |   |   |   |   |       |   |     |      |      |       |       |   |   |   |   |   |       |   |     |      |      |       |       |   |   |   |   |   |       |   |     |   |      |       |       |   |   |   |   |   |       |   |     |   |      |       |       |   |   |   |   |   |       |   |     |   |   |       |       |   |   |   |   |   |       |   |     |   |   |      |       |   |   |   |   |   |       |   |     |   |   |      |       |   |   |   |   |   |       |   |     |   |   |      |       |   |   |   |   |   |       |   |     |   |   |   |       |       |   |   |   |   |       |   |     |   |   |   |       |       |   |   |   |   |       |   |     |   |   |   |      |       |   |   |   |   |      |   |     |   |   |   |      |      |   |   |   |   |      |   |     |   |   |   |   |      |   |   |   |   |      |   |     |   |   |   |   |      |   |   |   |   |      |   |     |   |   |   |   |      |   |   |   |   |      |   |     |   |   |   |   |      |   |   |   |   |      |   |     |   |   |   |   |   |      |      |   |   |   |   |     |   |   |   |   |   |      |      |   |   |   |   |     |   |   |   |   |   |      |      |   |   |   |   |     |   |   |   |   |   |   |      |   |   |   |   |     |   |   |   |   |   |   |      |   |   |   |   |     |   |   |   |   |   |   |      |   |   |   |   |
| m   | t    | t       | t     | t      | t     | t            | t    | t    | t | t     | t    |      |  |  |  |  |  |  |  |  |  |  |      |     |  |  |  |  |  |  |  |  |  |  |  |             |  |  |  |  |  |  |  |  |  |  |  |  |     |     |     |     |     |     |  |  |  |  |  |   |   |   |   |   |   |   |   |   |   |   |   |    |   |        |   |   |   |   |   |   |   |   |   |    |   |        |   |   |   |   |   |   |   |   |   |    |   |        |   |   |   |   |   |   |   |   |   |    |      |       |   |   |   |   |   |   |   |       |   |    |      |       |   |   |   |   |   |   |   |       |   |    |      |       |   |   |   |   |   |   |   |       |   |    |      |       |   |   |   |   |   |   |   |       |   |    |      |       |   |   |   |   |   |   |   |       |   |    |      |       |   |   |   |   |   |   |   |       |   |    |      |       |   |   |   |   |   |   |   |       |   |    |      |       |       |   |   |   |   |   |   |       |   |    |      |       |       |   |   |   |   |   |   |       |   |    |      |       |       |   |   |   |   |   |   |       |   |    |      |       |       |   |   |   |   |   |   |       |   |    |      |       |       |   |   |   |   |   |   |       |   |    |      |       |       |   |   |   |   |   |   |       |   |    |      |       |       |   |   |   |   |   |   |       |   |    |      |       |       |   |   |   |   |   |   |       |   |     |      |      |       |       |   |   |   |   |   |       |   |     |      |      |       |       |   |   |   |   |   |       |   |     |   |      |       |       |   |   |   |   |   |       |   |     |   |      |       |       |   |   |   |   |   |       |   |     |   |   |       |       |   |   |   |   |   |       |   |     |   |   |      |       |   |   |   |   |   |       |   |     |   |   |      |       |   |   |   |   |   |       |   |     |   |   |      |       |   |   |   |   |   |       |   |     |   |   |   |       |       |   |   |   |   |       |   |     |   |   |   |       |       |   |   |   |   |       |   |     |   |   |   |      |       |   |   |   |   |      |   |     |   |   |   |      |      |   |   |   |   |      |   |     |   |   |   |   |      |   |   |   |   |      |   |     |   |   |   |   |      |   |   |   |   |      |   |     |   |   |   |   |      |   |   |   |   |      |   |     |   |   |   |   |      |   |   |   |   |      |   |     |   |   |   |   |   |      |      |   |   |   |   |     |   |   |   |   |   |      |      |   |   |   |   |     |   |   |   |   |   |      |      |   |   |   |   |     |   |   |   |   |   |   |      |   |   |   |   |     |   |   |   |   |   |   |      |   |   |   |   |     |   |   |   |   |   |   |      |   |   |   |   |
| 40  | -    | 133,0*  | -     | -      | -     | -            | -    | -    | - | -     | -    |      |  |  |  |  |  |  |  |  |  |  |      |     |  |  |  |  |  |  |  |  |  |  |  |             |  |  |  |  |  |  |  |  |  |  |  |  |     |     |     |     |     |     |  |  |  |  |  |   |   |   |   |   |   |   |   |   |   |   |   |    |   |        |   |   |   |   |   |   |   |   |   |    |   |        |   |   |   |   |   |   |   |   |   |    |   |        |   |   |   |   |   |   |   |   |   |    |      |       |   |   |   |   |   |   |   |       |   |    |      |       |   |   |   |   |   |   |   |       |   |    |      |       |   |   |   |   |   |   |   |       |   |    |      |       |   |   |   |   |   |   |   |       |   |    |      |       |   |   |   |   |   |   |   |       |   |    |      |       |   |   |   |   |   |   |   |       |   |    |      |       |   |   |   |   |   |   |   |       |   |    |      |       |       |   |   |   |   |   |   |       |   |    |      |       |       |   |   |   |   |   |   |       |   |    |      |       |       |   |   |   |   |   |   |       |   |    |      |       |       |   |   |   |   |   |   |       |   |    |      |       |       |   |   |   |   |   |   |       |   |    |      |       |       |   |   |   |   |   |   |       |   |    |      |       |       |   |   |   |   |   |   |       |   |    |      |       |       |   |   |   |   |   |   |       |   |     |      |      |       |       |   |   |   |   |   |       |   |     |      |      |       |       |   |   |   |   |   |       |   |     |   |      |       |       |   |   |   |   |   |       |   |     |   |      |       |       |   |   |   |   |   |       |   |     |   |   |       |       |   |   |   |   |   |       |   |     |   |   |      |       |   |   |   |   |   |       |   |     |   |   |      |       |   |   |   |   |   |       |   |     |   |   |      |       |   |   |   |   |   |       |   |     |   |   |   |       |       |   |   |   |   |       |   |     |   |   |   |       |       |   |   |   |   |       |   |     |   |   |   |      |       |   |   |   |   |      |   |     |   |   |   |      |      |   |   |   |   |      |   |     |   |   |   |   |      |   |   |   |   |      |   |     |   |   |   |   |      |   |   |   |   |      |   |     |   |   |   |   |      |   |   |   |   |      |   |     |   |   |   |   |      |   |   |   |   |      |   |     |   |   |   |   |   |      |      |   |   |   |   |     |   |   |   |   |   |      |      |   |   |   |   |     |   |   |   |   |   |      |      |   |   |   |   |     |   |   |   |   |   |   |      |   |   |   |   |     |   |   |   |   |   |   |      |   |   |   |   |     |   |   |   |   |   |   |      |   |   |   |   |
| 42  | -    | 132,0*  | -     | -      | -     | -            | -    | -    | - | -     | -    |      |  |  |  |  |  |  |  |  |  |  |      |     |  |  |  |  |  |  |  |  |  |  |  |             |  |  |  |  |  |  |  |  |  |  |  |  |     |     |     |     |     |     |  |  |  |  |  |   |   |   |   |   |   |   |   |   |   |   |   |    |   |        |   |   |   |   |   |   |   |   |   |    |   |        |   |   |   |   |   |   |   |   |   |    |   |        |   |   |   |   |   |   |   |   |   |    |      |       |   |   |   |   |   |   |   |       |   |    |      |       |   |   |   |   |   |   |   |       |   |    |      |       |   |   |   |   |   |   |   |       |   |    |      |       |   |   |   |   |   |   |   |       |   |    |      |       |   |   |   |   |   |   |   |       |   |    |      |       |   |   |   |   |   |   |   |       |   |    |      |       |   |   |   |   |   |   |   |       |   |    |      |       |       |   |   |   |   |   |   |       |   |    |      |       |       |   |   |   |   |   |   |       |   |    |      |       |       |   |   |   |   |   |   |       |   |    |      |       |       |   |   |   |   |   |   |       |   |    |      |       |       |   |   |   |   |   |   |       |   |    |      |       |       |   |   |   |   |   |   |       |   |    |      |       |       |   |   |   |   |   |   |       |   |    |      |       |       |   |   |   |   |   |   |       |   |     |      |      |       |       |   |   |   |   |   |       |   |     |      |      |       |       |   |   |   |   |   |       |   |     |   |      |       |       |   |   |   |   |   |       |   |     |   |      |       |       |   |   |   |   |   |       |   |     |   |   |       |       |   |   |   |   |   |       |   |     |   |   |      |       |   |   |   |   |   |       |   |     |   |   |      |       |   |   |   |   |   |       |   |     |   |   |      |       |   |   |   |   |   |       |   |     |   |   |   |       |       |   |   |   |   |       |   |     |   |   |   |       |       |   |   |   |   |       |   |     |   |   |   |      |       |   |   |   |   |      |   |     |   |   |   |      |      |   |   |   |   |      |   |     |   |   |   |   |      |   |   |   |   |      |   |     |   |   |   |   |      |   |   |   |   |      |   |     |   |   |   |   |      |   |   |   |   |      |   |     |   |   |   |   |      |   |   |   |   |      |   |     |   |   |   |   |   |      |      |   |   |   |   |     |   |   |   |   |   |      |      |   |   |   |   |     |   |   |   |   |   |      |      |   |   |   |   |     |   |   |   |   |   |   |      |   |   |   |   |     |   |   |   |   |   |   |      |   |   |   |   |     |   |   |   |   |   |   |      |   |   |   |   |
| 46  | -    | 130,0*  | -     | -      | -     | -            | -    | -    | - | -     | -    |      |  |  |  |  |  |  |  |  |  |  |      |     |  |  |  |  |  |  |  |  |  |  |  |             |  |  |  |  |  |  |  |  |  |  |  |  |     |     |     |     |     |     |  |  |  |  |  |   |   |   |   |   |   |   |   |   |   |   |   |    |   |        |   |   |   |   |   |   |   |   |   |    |   |        |   |   |   |   |   |   |   |   |   |    |   |        |   |   |   |   |   |   |   |   |   |    |      |       |   |   |   |   |   |   |   |       |   |    |      |       |   |   |   |   |   |   |   |       |   |    |      |       |   |   |   |   |   |   |   |       |   |    |      |       |   |   |   |   |   |   |   |       |   |    |      |       |   |   |   |   |   |   |   |       |   |    |      |       |   |   |   |   |   |   |   |       |   |    |      |       |   |   |   |   |   |   |   |       |   |    |      |       |       |   |   |   |   |   |   |       |   |    |      |       |       |   |   |   |   |   |   |       |   |    |      |       |       |   |   |   |   |   |   |       |   |    |      |       |       |   |   |   |   |   |   |       |   |    |      |       |       |   |   |   |   |   |   |       |   |    |      |       |       |   |   |   |   |   |   |       |   |    |      |       |       |   |   |   |   |   |   |       |   |    |      |       |       |   |   |   |   |   |   |       |   |     |      |      |       |       |   |   |   |   |   |       |   |     |      |      |       |       |   |   |   |   |   |       |   |     |   |      |       |       |   |   |   |   |   |       |   |     |   |      |       |       |   |   |   |   |   |       |   |     |   |   |       |       |   |   |   |   |   |       |   |     |   |   |      |       |   |   |   |   |   |       |   |     |   |   |      |       |   |   |   |   |   |       |   |     |   |   |      |       |   |   |   |   |   |       |   |     |   |   |   |       |       |   |   |   |   |       |   |     |   |   |   |       |       |   |   |   |   |       |   |     |   |   |   |      |       |   |   |   |   |      |   |     |   |   |   |      |      |   |   |   |   |      |   |     |   |   |   |   |      |   |   |   |   |      |   |     |   |   |   |   |      |   |   |   |   |      |   |     |   |   |   |   |      |   |   |   |   |      |   |     |   |   |   |   |      |   |   |   |   |      |   |     |   |   |   |   |   |      |      |   |   |   |   |     |   |   |   |   |   |      |      |   |   |   |   |     |   |   |   |   |   |      |      |   |   |   |   |     |   |   |   |   |   |   |      |   |   |   |   |     |   |   |   |   |   |   |      |   |   |   |   |     |   |   |   |   |   |   |      |   |   |   |   |
| 50  | 68,5 | 134,0   | -     | -      | -     | -            | -    | -    | - | 133,0 | -    |      |  |  |  |  |  |  |  |  |  |  |      |     |  |  |  |  |  |  |  |  |  |  |  |             |  |  |  |  |  |  |  |  |  |  |  |  |     |     |     |     |     |     |  |  |  |  |  |   |   |   |   |   |   |   |   |   |   |   |   |    |   |        |   |   |   |   |   |   |   |   |   |    |   |        |   |   |   |   |   |   |   |   |   |    |   |        |   |   |   |   |   |   |   |   |   |    |      |       |   |   |   |   |   |   |   |       |   |    |      |       |   |   |   |   |   |   |   |       |   |    |      |       |   |   |   |   |   |   |   |       |   |    |      |       |   |   |   |   |   |   |   |       |   |    |      |       |   |   |   |   |   |   |   |       |   |    |      |       |   |   |   |   |   |   |   |       |   |    |      |       |   |   |   |   |   |   |   |       |   |    |      |       |       |   |   |   |   |   |   |       |   |    |      |       |       |   |   |   |   |   |   |       |   |    |      |       |       |   |   |   |   |   |   |       |   |    |      |       |       |   |   |   |   |   |   |       |   |    |      |       |       |   |   |   |   |   |   |       |   |    |      |       |       |   |   |   |   |   |   |       |   |    |      |       |       |   |   |   |   |   |   |       |   |    |      |       |       |   |   |   |   |   |   |       |   |     |      |      |       |       |   |   |   |   |   |       |   |     |      |      |       |       |   |   |   |   |   |       |   |     |   |      |       |       |   |   |   |   |   |       |   |     |   |      |       |       |   |   |   |   |   |       |   |     |   |   |       |       |   |   |   |   |   |       |   |     |   |   |      |       |   |   |   |   |   |       |   |     |   |   |      |       |   |   |   |   |   |       |   |     |   |   |      |       |   |   |   |   |   |       |   |     |   |   |   |       |       |   |   |   |   |       |   |     |   |   |   |       |       |   |   |   |   |       |   |     |   |   |   |      |       |   |   |   |   |      |   |     |   |   |   |      |      |   |   |   |   |      |   |     |   |   |   |   |      |   |   |   |   |      |   |     |   |   |   |   |      |   |   |   |   |      |   |     |   |   |   |   |      |   |   |   |   |      |   |     |   |   |   |   |      |   |   |   |   |      |   |     |   |   |   |   |   |      |      |   |   |   |   |     |   |   |   |   |   |      |      |   |   |   |   |     |   |   |   |   |   |      |      |   |   |   |   |     |   |   |   |   |   |   |      |   |   |   |   |     |   |   |   |   |   |   |      |   |   |   |   |     |   |   |   |   |   |   |      |   |   |   |   |
| 54  | 60,5 | 132,0   | -     | -      | -     | -            | -    | -    | - | 133,0 | -    |      |  |  |  |  |  |  |  |  |  |  |      |     |  |  |  |  |  |  |  |  |  |  |  |             |  |  |  |  |  |  |  |  |  |  |  |  |     |     |     |     |     |     |  |  |  |  |  |   |   |   |   |   |   |   |   |   |   |   |   |    |   |        |   |   |   |   |   |   |   |   |   |    |   |        |   |   |   |   |   |   |   |   |   |    |   |        |   |   |   |   |   |   |   |   |   |    |      |       |   |   |   |   |   |   |   |       |   |    |      |       |   |   |   |   |   |   |   |       |   |    |      |       |   |   |   |   |   |   |   |       |   |    |      |       |   |   |   |   |   |   |   |       |   |    |      |       |   |   |   |   |   |   |   |       |   |    |      |       |   |   |   |   |   |   |   |       |   |    |      |       |   |   |   |   |   |   |   |       |   |    |      |       |       |   |   |   |   |   |   |       |   |    |      |       |       |   |   |   |   |   |   |       |   |    |      |       |       |   |   |   |   |   |   |       |   |    |      |       |       |   |   |   |   |   |   |       |   |    |      |       |       |   |   |   |   |   |   |       |   |    |      |       |       |   |   |   |   |   |   |       |   |    |      |       |       |   |   |   |   |   |   |       |   |    |      |       |       |   |   |   |   |   |   |       |   |     |      |      |       |       |   |   |   |   |   |       |   |     |      |      |       |       |   |   |   |   |   |       |   |     |   |      |       |       |   |   |   |   |   |       |   |     |   |      |       |       |   |   |   |   |   |       |   |     |   |   |       |       |   |   |   |   |   |       |   |     |   |   |      |       |   |   |   |   |   |       |   |     |   |   |      |       |   |   |   |   |   |       |   |     |   |   |      |       |   |   |   |   |   |       |   |     |   |   |   |       |       |   |   |   |   |       |   |     |   |   |   |       |       |   |   |   |   |       |   |     |   |   |   |      |       |   |   |   |   |      |   |     |   |   |   |      |      |   |   |   |   |      |   |     |   |   |   |   |      |   |   |   |   |      |   |     |   |   |   |   |      |   |   |   |   |      |   |     |   |   |   |   |      |   |   |   |   |      |   |     |   |   |   |   |      |   |   |   |   |      |   |     |   |   |   |   |   |      |      |   |   |   |   |     |   |   |   |   |   |      |      |   |   |   |   |     |   |   |   |   |   |      |      |   |   |   |   |     |   |   |   |   |   |   |      |   |   |   |   |     |   |   |   |   |   |   |      |   |   |   |   |     |   |   |   |   |   |   |      |   |   |   |   |
| 58  | 53,0 | 131,0   | -     | -      | -     | -            | -    | -    | - | 133,0 | -    |      |  |  |  |  |  |  |  |  |  |  |      |     |  |  |  |  |  |  |  |  |  |  |  |             |  |  |  |  |  |  |  |  |  |  |  |  |     |     |     |     |     |     |  |  |  |  |  |   |   |   |   |   |   |   |   |   |   |   |   |    |   |        |   |   |   |   |   |   |   |   |   |    |   |        |   |   |   |   |   |   |   |   |   |    |   |        |   |   |   |   |   |   |   |   |   |    |      |       |   |   |   |   |   |   |   |       |   |    |      |       |   |   |   |   |   |   |   |       |   |    |      |       |   |   |   |   |   |   |   |       |   |    |      |       |   |   |   |   |   |   |   |       |   |    |      |       |   |   |   |   |   |   |   |       |   |    |      |       |   |   |   |   |   |   |   |       |   |    |      |       |   |   |   |   |   |   |   |       |   |    |      |       |       |   |   |   |   |   |   |       |   |    |      |       |       |   |   |   |   |   |   |       |   |    |      |       |       |   |   |   |   |   |   |       |   |    |      |       |       |   |   |   |   |   |   |       |   |    |      |       |       |   |   |   |   |   |   |       |   |    |      |       |       |   |   |   |   |   |   |       |   |    |      |       |       |   |   |   |   |   |   |       |   |    |      |       |       |   |   |   |   |   |   |       |   |     |      |      |       |       |   |   |   |   |   |       |   |     |      |      |       |       |   |   |   |   |   |       |   |     |   |      |       |       |   |   |   |   |   |       |   |     |   |      |       |       |   |   |   |   |   |       |   |     |   |   |       |       |   |   |   |   |   |       |   |     |   |   |      |       |   |   |   |   |   |       |   |     |   |   |      |       |   |   |   |   |   |       |   |     |   |   |      |       |   |   |   |   |   |       |   |     |   |   |   |       |       |   |   |   |   |       |   |     |   |   |   |       |       |   |   |   |   |       |   |     |   |   |   |      |       |   |   |   |   |      |   |     |   |   |   |      |      |   |   |   |   |      |   |     |   |   |   |   |      |   |   |   |   |      |   |     |   |   |   |   |      |   |   |   |   |      |   |     |   |   |   |   |      |   |   |   |   |      |   |     |   |   |   |   |      |   |   |   |   |      |   |     |   |   |   |   |   |      |      |   |   |   |   |     |   |   |   |   |   |      |      |   |   |   |   |     |   |   |   |   |   |      |      |   |   |   |   |     |   |   |   |   |   |   |      |   |   |   |   |     |   |   |   |   |   |   |      |   |   |   |   |     |   |   |   |   |   |   |      |   |   |   |   |
| 62  | 46,8 | 129,0   | -     | -      | -     | -            | -    | -    | - | 132,0 | -    |      |  |  |  |  |  |  |  |  |  |  |      |     |  |  |  |  |  |  |  |  |  |  |  |             |  |  |  |  |  |  |  |  |  |  |  |  |     |     |     |     |     |     |  |  |  |  |  |   |   |   |   |   |   |   |   |   |   |   |   |    |   |        |   |   |   |   |   |   |   |   |   |    |   |        |   |   |   |   |   |   |   |   |   |    |   |        |   |   |   |   |   |   |   |   |   |    |      |       |   |   |   |   |   |   |   |       |   |    |      |       |   |   |   |   |   |   |   |       |   |    |      |       |   |   |   |   |   |   |   |       |   |    |      |       |   |   |   |   |   |   |   |       |   |    |      |       |   |   |   |   |   |   |   |       |   |    |      |       |   |   |   |   |   |   |   |       |   |    |      |       |   |   |   |   |   |   |   |       |   |    |      |       |       |   |   |   |   |   |   |       |   |    |      |       |       |   |   |   |   |   |   |       |   |    |      |       |       |   |   |   |   |   |   |       |   |    |      |       |       |   |   |   |   |   |   |       |   |    |      |       |       |   |   |   |   |   |   |       |   |    |      |       |       |   |   |   |   |   |   |       |   |    |      |       |       |   |   |   |   |   |   |       |   |    |      |       |       |   |   |   |   |   |   |       |   |     |      |      |       |       |   |   |   |   |   |       |   |     |      |      |       |       |   |   |   |   |   |       |   |     |   |      |       |       |   |   |   |   |   |       |   |     |   |      |       |       |   |   |   |   |   |       |   |     |   |   |       |       |   |   |   |   |   |       |   |     |   |   |      |       |   |   |   |   |   |       |   |     |   |   |      |       |   |   |   |   |   |       |   |     |   |   |      |       |   |   |   |   |   |       |   |     |   |   |   |       |       |   |   |   |   |       |   |     |   |   |   |       |       |   |   |   |   |       |   |     |   |   |   |      |       |   |   |   |   |      |   |     |   |   |   |      |      |   |   |   |   |      |   |     |   |   |   |   |      |   |   |   |   |      |   |     |   |   |   |   |      |   |   |   |   |      |   |     |   |   |   |   |      |   |   |   |   |      |   |     |   |   |   |   |      |   |   |   |   |      |   |     |   |   |   |   |   |      |      |   |   |   |   |     |   |   |   |   |   |      |      |   |   |   |   |     |   |   |   |   |   |      |      |   |   |   |   |     |   |   |   |   |   |   |      |   |   |   |   |     |   |   |   |   |   |   |      |   |   |   |   |     |   |   |   |   |   |   |      |   |   |   |   |
| 66  | 41,0 | 127,0   | -     | -      | -     | -            | -    | -    | - | 131,0 | -    |      |  |  |  |  |  |  |  |  |  |  |      |     |  |  |  |  |  |  |  |  |  |  |  |             |  |  |  |  |  |  |  |  |  |  |  |  |     |     |     |     |     |     |  |  |  |  |  |   |   |   |   |   |   |   |   |   |   |   |   |    |   |        |   |   |   |   |   |   |   |   |   |    |   |        |   |   |   |   |   |   |   |   |   |    |   |        |   |   |   |   |   |   |   |   |   |    |      |       |   |   |   |   |   |   |   |       |   |    |      |       |   |   |   |   |   |   |   |       |   |    |      |       |   |   |   |   |   |   |   |       |   |    |      |       |   |   |   |   |   |   |   |       |   |    |      |       |   |   |   |   |   |   |   |       |   |    |      |       |   |   |   |   |   |   |   |       |   |    |      |       |   |   |   |   |   |   |   |       |   |    |      |       |       |   |   |   |   |   |   |       |   |    |      |       |       |   |   |   |   |   |   |       |   |    |      |       |       |   |   |   |   |   |   |       |   |    |      |       |       |   |   |   |   |   |   |       |   |    |      |       |       |   |   |   |   |   |   |       |   |    |      |       |       |   |   |   |   |   |   |       |   |    |      |       |       |   |   |   |   |   |   |       |   |    |      |       |       |   |   |   |   |   |   |       |   |     |      |      |       |       |   |   |   |   |   |       |   |     |      |      |       |       |   |   |   |   |   |       |   |     |   |      |       |       |   |   |   |   |   |       |   |     |   |      |       |       |   |   |   |   |   |       |   |     |   |   |       |       |   |   |   |   |   |       |   |     |   |   |      |       |   |   |   |   |   |       |   |     |   |   |      |       |   |   |   |   |   |       |   |     |   |   |      |       |   |   |   |   |   |       |   |     |   |   |   |       |       |   |   |   |   |       |   |     |   |   |   |       |       |   |   |   |   |       |   |     |   |   |   |      |       |   |   |   |   |      |   |     |   |   |   |      |      |   |   |   |   |      |   |     |   |   |   |   |      |   |   |   |   |      |   |     |   |   |   |   |      |   |   |   |   |      |   |     |   |   |   |   |      |   |   |   |   |      |   |     |   |   |   |   |      |   |   |   |   |      |   |     |   |   |   |   |   |      |      |   |   |   |   |     |   |   |   |   |   |      |      |   |   |   |   |     |   |   |   |   |   |      |      |   |   |   |   |     |   |   |   |   |   |   |      |   |   |   |   |     |   |   |   |   |   |   |      |   |   |   |   |     |   |   |   |   |   |   |      |   |   |   |   |
| 70  | 35,8 | 125,0   | -     | -      | -     | -            | -    | -    | - | 129,0 | -    |      |  |  |  |  |  |  |  |  |  |  |      |     |  |  |  |  |  |  |  |  |  |  |  |             |  |  |  |  |  |  |  |  |  |  |  |  |     |     |     |     |     |     |  |  |  |  |  |   |   |   |   |   |   |   |   |   |   |   |   |    |   |        |   |   |   |   |   |   |   |   |   |    |   |        |   |   |   |   |   |   |   |   |   |    |   |        |   |   |   |   |   |   |   |   |   |    |      |       |   |   |   |   |   |   |   |       |   |    |      |       |   |   |   |   |   |   |   |       |   |    |      |       |   |   |   |   |   |   |   |       |   |    |      |       |   |   |   |   |   |   |   |       |   |    |      |       |   |   |   |   |   |   |   |       |   |    |      |       |   |   |   |   |   |   |   |       |   |    |      |       |   |   |   |   |   |   |   |       |   |    |      |       |       |   |   |   |   |   |   |       |   |    |      |       |       |   |   |   |   |   |   |       |   |    |      |       |       |   |   |   |   |   |   |       |   |    |      |       |       |   |   |   |   |   |   |       |   |    |      |       |       |   |   |   |   |   |   |       |   |    |      |       |       |   |   |   |   |   |   |       |   |    |      |       |       |   |   |   |   |   |   |       |   |    |      |       |       |   |   |   |   |   |   |       |   |     |      |      |       |       |   |   |   |   |   |       |   |     |      |      |       |       |   |   |   |   |   |       |   |     |   |      |       |       |   |   |   |   |   |       |   |     |   |      |       |       |   |   |   |   |   |       |   |     |   |   |       |       |   |   |   |   |   |       |   |     |   |   |      |       |   |   |   |   |   |       |   |     |   |   |      |       |   |   |   |   |   |       |   |     |   |   |      |       |   |   |   |   |   |       |   |     |   |   |   |       |       |   |   |   |   |       |   |     |   |   |   |       |       |   |   |   |   |       |   |     |   |   |   |      |       |   |   |   |   |      |   |     |   |   |   |      |      |   |   |   |   |      |   |     |   |   |   |   |      |   |   |   |   |      |   |     |   |   |   |   |      |   |   |   |   |      |   |     |   |   |   |   |      |   |   |   |   |      |   |     |   |   |   |   |      |   |   |   |   |      |   |     |   |   |   |   |   |      |      |   |   |   |   |     |   |   |   |   |   |      |      |   |   |   |   |     |   |   |   |   |   |      |      |   |   |   |   |     |   |   |   |   |   |   |      |   |   |   |   |     |   |   |   |   |   |   |      |   |   |   |   |     |   |   |   |   |   |   |      |   |   |   |   |
| 74  | 31,1 | 123,0   | -     | -      | -     | -            | -    | -    | - | 128,0 | -    |      |  |  |  |  |  |  |  |  |  |  |      |     |  |  |  |  |  |  |  |  |  |  |  |             |  |  |  |  |  |  |  |  |  |  |  |  |     |     |     |     |     |     |  |  |  |  |  |   |   |   |   |   |   |   |   |   |   |   |   |    |   |        |   |   |   |   |   |   |   |   |   |    |   |        |   |   |   |   |   |   |   |   |   |    |   |        |   |   |   |   |   |   |   |   |   |    |      |       |   |   |   |   |   |   |   |       |   |    |      |       |   |   |   |   |   |   |   |       |   |    |      |       |   |   |   |   |   |   |   |       |   |    |      |       |   |   |   |   |   |   |   |       |   |    |      |       |   |   |   |   |   |   |   |       |   |    |      |       |   |   |   |   |   |   |   |       |   |    |      |       |   |   |   |   |   |   |   |       |   |    |      |       |       |   |   |   |   |   |   |       |   |    |      |       |       |   |   |   |   |   |   |       |   |    |      |       |       |   |   |   |   |   |   |       |   |    |      |       |       |   |   |   |   |   |   |       |   |    |      |       |       |   |   |   |   |   |   |       |   |    |      |       |       |   |   |   |   |   |   |       |   |    |      |       |       |   |   |   |   |   |   |       |   |    |      |       |       |   |   |   |   |   |   |       |   |     |      |      |       |       |   |   |   |   |   |       |   |     |      |      |       |       |   |   |   |   |   |       |   |     |   |      |       |       |   |   |   |   |   |       |   |     |   |      |       |       |   |   |   |   |   |       |   |     |   |   |       |       |   |   |   |   |   |       |   |     |   |   |      |       |   |   |   |   |   |       |   |     |   |   |      |       |   |   |   |   |   |       |   |     |   |   |      |       |   |   |   |   |   |       |   |     |   |   |   |       |       |   |   |   |   |       |   |     |   |   |   |       |       |   |   |   |   |       |   |     |   |   |   |      |       |   |   |   |   |      |   |     |   |   |   |      |      |   |   |   |   |      |   |     |   |   |   |   |      |   |   |   |   |      |   |     |   |   |   |   |      |   |   |   |   |      |   |     |   |   |   |   |      |   |   |   |   |      |   |     |   |   |   |   |      |   |   |   |   |      |   |     |   |   |   |   |   |      |      |   |   |   |   |     |   |   |   |   |   |      |      |   |   |   |   |     |   |   |   |   |   |      |      |   |   |   |   |     |   |   |   |   |   |   |      |   |   |   |   |     |   |   |   |   |   |   |      |   |   |   |   |     |   |   |   |   |   |   |      |   |   |   |   |
| 78  | 26,8 | 121,0   | 124,0 | -      | -     | -            | -    | -    | - | 125,0 | -    |      |  |  |  |  |  |  |  |  |  |  |      |     |  |  |  |  |  |  |  |  |  |  |  |             |  |  |  |  |  |  |  |  |  |  |  |  |     |     |     |     |     |     |  |  |  |  |  |   |   |   |   |   |   |   |   |   |   |   |   |    |   |        |   |   |   |   |   |   |   |   |   |    |   |        |   |   |   |   |   |   |   |   |   |    |   |        |   |   |   |   |   |   |   |   |   |    |      |       |   |   |   |   |   |   |   |       |   |    |      |       |   |   |   |   |   |   |   |       |   |    |      |       |   |   |   |   |   |   |   |       |   |    |      |       |   |   |   |   |   |   |   |       |   |    |      |       |   |   |   |   |   |   |   |       |   |    |      |       |   |   |   |   |   |   |   |       |   |    |      |       |   |   |   |   |   |   |   |       |   |    |      |       |       |   |   |   |   |   |   |       |   |    |      |       |       |   |   |   |   |   |   |       |   |    |      |       |       |   |   |   |   |   |   |       |   |    |      |       |       |   |   |   |   |   |   |       |   |    |      |       |       |   |   |   |   |   |   |       |   |    |      |       |       |   |   |   |   |   |   |       |   |    |      |       |       |   |   |   |   |   |   |       |   |    |      |       |       |   |   |   |   |   |   |       |   |     |      |      |       |       |   |   |   |   |   |       |   |     |      |      |       |       |   |   |   |   |   |       |   |     |   |      |       |       |   |   |   |   |   |       |   |     |   |      |       |       |   |   |   |   |   |       |   |     |   |   |       |       |   |   |   |   |   |       |   |     |   |   |      |       |   |   |   |   |   |       |   |     |   |   |      |       |   |   |   |   |   |       |   |     |   |   |      |       |   |   |   |   |   |       |   |     |   |   |   |       |       |   |   |   |   |       |   |     |   |   |   |       |       |   |   |   |   |       |   |     |   |   |   |      |       |   |   |   |   |      |   |     |   |   |   |      |      |   |   |   |   |      |   |     |   |   |   |   |      |   |   |   |   |      |   |     |   |   |   |   |      |   |   |   |   |      |   |     |   |   |   |   |      |   |   |   |   |      |   |     |   |   |   |   |      |   |   |   |   |      |   |     |   |   |   |   |   |      |      |   |   |   |   |     |   |   |   |   |   |      |      |   |   |   |   |     |   |   |   |   |   |      |      |   |   |   |   |     |   |   |   |   |   |   |      |   |   |   |   |     |   |   |   |   |   |   |      |   |   |   |   |     |   |   |   |   |   |   |      |   |   |   |   |
| 80  | 24,8 | 120,0   | 124,0 | -      | -     | -            | -    | -    | - | 124,0 | -    |      |  |  |  |  |  |  |  |  |  |  |      |     |  |  |  |  |  |  |  |  |  |  |  |             |  |  |  |  |  |  |  |  |  |  |  |  |     |     |     |     |     |     |  |  |  |  |  |   |   |   |   |   |   |   |   |   |   |   |   |    |   |        |   |   |   |   |   |   |   |   |   |    |   |        |   |   |   |   |   |   |   |   |   |    |   |        |   |   |   |   |   |   |   |   |   |    |      |       |   |   |   |   |   |   |   |       |   |    |      |       |   |   |   |   |   |   |   |       |   |    |      |       |   |   |   |   |   |   |   |       |   |    |      |       |   |   |   |   |   |   |   |       |   |    |      |       |   |   |   |   |   |   |   |       |   |    |      |       |   |   |   |   |   |   |   |       |   |    |      |       |   |   |   |   |   |   |   |       |   |    |      |       |       |   |   |   |   |   |   |       |   |    |      |       |       |   |   |   |   |   |   |       |   |    |      |       |       |   |   |   |   |   |   |       |   |    |      |       |       |   |   |   |   |   |   |       |   |    |      |       |       |   |   |   |   |   |   |       |   |    |      |       |       |   |   |   |   |   |   |       |   |    |      |       |       |   |   |   |   |   |   |       |   |    |      |       |       |   |   |   |   |   |   |       |   |     |      |      |       |       |   |   |   |   |   |       |   |     |      |      |       |       |   |   |   |   |   |       |   |     |   |      |       |       |   |   |   |   |   |       |   |     |   |      |       |       |   |   |   |   |   |       |   |     |   |   |       |       |   |   |   |   |   |       |   |     |   |   |      |       |   |   |   |   |   |       |   |     |   |   |      |       |   |   |   |   |   |       |   |     |   |   |      |       |   |   |   |   |   |       |   |     |   |   |   |       |       |   |   |   |   |       |   |     |   |   |   |       |       |   |   |   |   |       |   |     |   |   |   |      |       |   |   |   |   |      |   |     |   |   |   |      |      |   |   |   |   |      |   |     |   |   |   |   |      |   |   |   |   |      |   |     |   |   |   |   |      |   |   |   |   |      |   |     |   |   |   |   |      |   |   |   |   |      |   |     |   |   |   |   |      |   |   |   |   |      |   |     |   |   |   |   |   |      |      |   |   |   |   |     |   |   |   |   |   |      |      |   |   |   |   |     |   |   |   |   |   |      |      |   |   |   |   |     |   |   |   |   |   |   |      |   |   |   |   |     |   |   |   |   |   |   |      |   |   |   |   |     |   |   |   |   |   |   |      |   |   |   |   |
| 82  | 22,9 | 119,0   | 124,0 | -      | -     | -            | -    | -    | - | 123,0 | -    |      |  |  |  |  |  |  |  |  |  |  |      |     |  |  |  |  |  |  |  |  |  |  |  |             |  |  |  |  |  |  |  |  |  |  |  |  |     |     |     |     |     |     |  |  |  |  |  |   |   |   |   |   |   |   |   |   |   |   |   |    |   |        |   |   |   |   |   |   |   |   |   |    |   |        |   |   |   |   |   |   |   |   |   |    |   |        |   |   |   |   |   |   |   |   |   |    |      |       |   |   |   |   |   |   |   |       |   |    |      |       |   |   |   |   |   |   |   |       |   |    |      |       |   |   |   |   |   |   |   |       |   |    |      |       |   |   |   |   |   |   |   |       |   |    |      |       |   |   |   |   |   |   |   |       |   |    |      |       |   |   |   |   |   |   |   |       |   |    |      |       |   |   |   |   |   |   |   |       |   |    |      |       |       |   |   |   |   |   |   |       |   |    |      |       |       |   |   |   |   |   |   |       |   |    |      |       |       |   |   |   |   |   |   |       |   |    |      |       |       |   |   |   |   |   |   |       |   |    |      |       |       |   |   |   |   |   |   |       |   |    |      |       |       |   |   |   |   |   |   |       |   |    |      |       |       |   |   |   |   |   |   |       |   |    |      |       |       |   |   |   |   |   |   |       |   |     |      |      |       |       |   |   |   |   |   |       |   |     |      |      |       |       |   |   |   |   |   |       |   |     |   |      |       |       |   |   |   |   |   |       |   |     |   |      |       |       |   |   |   |   |   |       |   |     |   |   |       |       |   |   |   |   |   |       |   |     |   |   |      |       |   |   |   |   |   |       |   |     |   |   |      |       |   |   |   |   |   |       |   |     |   |   |      |       |   |   |   |   |   |       |   |     |   |   |   |       |       |   |   |   |   |       |   |     |   |   |   |       |       |   |   |   |   |       |   |     |   |   |   |      |       |   |   |   |   |      |   |     |   |   |   |      |      |   |   |   |   |      |   |     |   |   |   |   |      |   |   |   |   |      |   |     |   |   |   |   |      |   |   |   |   |      |   |     |   |   |   |   |      |   |   |   |   |      |   |     |   |   |   |   |      |   |   |   |   |      |   |     |   |   |   |   |   |      |      |   |   |   |   |     |   |   |   |   |   |      |      |   |   |   |   |     |   |   |   |   |   |      |      |   |   |   |   |     |   |   |   |   |   |   |      |   |   |   |   |     |   |   |   |   |   |   |      |   |   |   |   |     |   |   |   |   |   |   |      |   |   |   |   |
| 86  | 19,4 | 116,5   | 124,0 | -      | -     | -            | -    | -    | - | 121,0 | -    |      |  |  |  |  |  |  |  |  |  |  |      |     |  |  |  |  |  |  |  |  |  |  |  |             |  |  |  |  |  |  |  |  |  |  |  |  |     |     |     |     |     |     |  |  |  |  |  |   |   |   |   |   |   |   |   |   |   |   |   |    |   |        |   |   |   |   |   |   |   |   |   |    |   |        |   |   |   |   |   |   |   |   |   |    |   |        |   |   |   |   |   |   |   |   |   |    |      |       |   |   |   |   |   |   |   |       |   |    |      |       |   |   |   |   |   |   |   |       |   |    |      |       |   |   |   |   |   |   |   |       |   |    |      |       |   |   |   |   |   |   |   |       |   |    |      |       |   |   |   |   |   |   |   |       |   |    |      |       |   |   |   |   |   |   |   |       |   |    |      |       |   |   |   |   |   |   |   |       |   |    |      |       |       |   |   |   |   |   |   |       |   |    |      |       |       |   |   |   |   |   |   |       |   |    |      |       |       |   |   |   |   |   |   |       |   |    |      |       |       |   |   |   |   |   |   |       |   |    |      |       |       |   |   |   |   |   |   |       |   |    |      |       |       |   |   |   |   |   |   |       |   |    |      |       |       |   |   |   |   |   |   |       |   |    |      |       |       |   |   |   |   |   |   |       |   |     |      |      |       |       |   |   |   |   |   |       |   |     |      |      |       |       |   |   |   |   |   |       |   |     |   |      |       |       |   |   |   |   |   |       |   |     |   |      |       |       |   |   |   |   |   |       |   |     |   |   |       |       |   |   |   |   |   |       |   |     |   |   |      |       |   |   |   |   |   |       |   |     |   |   |      |       |   |   |   |   |   |       |   |     |   |   |      |       |   |   |   |   |   |       |   |     |   |   |   |       |       |   |   |   |   |       |   |     |   |   |   |       |       |   |   |   |   |       |   |     |   |   |   |      |       |   |   |   |   |      |   |     |   |   |   |      |      |   |   |   |   |      |   |     |   |   |   |   |      |   |   |   |   |      |   |     |   |   |   |   |      |   |   |   |   |      |   |     |   |   |   |   |      |   |   |   |   |      |   |     |   |   |   |   |      |   |   |   |   |      |   |     |   |   |   |   |   |      |      |   |   |   |   |     |   |   |   |   |   |      |      |   |   |   |   |     |   |   |   |   |   |      |      |   |   |   |   |     |   |   |   |   |   |   |      |   |   |   |   |     |   |   |   |   |   |   |      |   |   |   |   |     |   |   |   |   |   |   |      |   |   |   |   |
| 90  | 16,1 | 110,5   | 124,0 | -      | -     | -            | -    | -    | - | 119,0 | -    |      |  |  |  |  |  |  |  |  |  |  |      |     |  |  |  |  |  |  |  |  |  |  |  |             |  |  |  |  |  |  |  |  |  |  |  |  |     |     |     |     |     |     |  |  |  |  |  |   |   |   |   |   |   |   |   |   |   |   |   |    |   |        |   |   |   |   |   |   |   |   |   |    |   |        |   |   |   |   |   |   |   |   |   |    |   |        |   |   |   |   |   |   |   |   |   |    |      |       |   |   |   |   |   |   |   |       |   |    |      |       |   |   |   |   |   |   |   |       |   |    |      |       |   |   |   |   |   |   |   |       |   |    |      |       |   |   |   |   |   |   |   |       |   |    |      |       |   |   |   |   |   |   |   |       |   |    |      |       |   |   |   |   |   |   |   |       |   |    |      |       |   |   |   |   |   |   |   |       |   |    |      |       |       |   |   |   |   |   |   |       |   |    |      |       |       |   |   |   |   |   |   |       |   |    |      |       |       |   |   |   |   |   |   |       |   |    |      |       |       |   |   |   |   |   |   |       |   |    |      |       |       |   |   |   |   |   |   |       |   |    |      |       |       |   |   |   |   |   |   |       |   |    |      |       |       |   |   |   |   |   |   |       |   |    |      |       |       |   |   |   |   |   |   |       |   |     |      |      |       |       |   |   |   |   |   |       |   |     |      |      |       |       |   |   |   |   |   |       |   |     |   |      |       |       |   |   |   |   |   |       |   |     |   |      |       |       |   |   |   |   |   |       |   |     |   |   |       |       |   |   |   |   |   |       |   |     |   |   |      |       |   |   |   |   |   |       |   |     |   |   |      |       |   |   |   |   |   |       |   |     |   |   |      |       |   |   |   |   |   |       |   |     |   |   |   |       |       |   |   |   |   |       |   |     |   |   |   |       |       |   |   |   |   |       |   |     |   |   |   |      |       |   |   |   |   |      |   |     |   |   |   |      |      |   |   |   |   |      |   |     |   |   |   |   |      |   |   |   |   |      |   |     |   |   |   |   |      |   |   |   |   |      |   |     |   |   |   |   |      |   |   |   |   |      |   |     |   |   |   |   |      |   |   |   |   |      |   |     |   |   |   |   |   |      |      |   |   |   |   |     |   |   |   |   |   |      |      |   |   |   |   |     |   |   |   |   |   |      |      |   |   |   |   |     |   |   |   |   |   |   |      |   |   |   |   |     |   |   |   |   |   |   |      |   |   |   |   |     |   |   |   |   |   |   |      |   |   |   |   |
| 94  | 13,0 | 102,0   | 124,0 | -      | -     | -            | -    | -    | - | 117,0 | -    |      |  |  |  |  |  |  |  |  |  |  |      |     |  |  |  |  |  |  |  |  |  |  |  |             |  |  |  |  |  |  |  |  |  |  |  |  |     |     |     |     |     |     |  |  |  |  |  |   |   |   |   |   |   |   |   |   |   |   |   |    |   |        |   |   |   |   |   |   |   |   |   |    |   |        |   |   |   |   |   |   |   |   |   |    |   |        |   |   |   |   |   |   |   |   |   |    |      |       |   |   |   |   |   |   |   |       |   |    |      |       |   |   |   |   |   |   |   |       |   |    |      |       |   |   |   |   |   |   |   |       |   |    |      |       |   |   |   |   |   |   |   |       |   |    |      |       |   |   |   |   |   |   |   |       |   |    |      |       |   |   |   |   |   |   |   |       |   |    |      |       |   |   |   |   |   |   |   |       |   |    |      |       |       |   |   |   |   |   |   |       |   |    |      |       |       |   |   |   |   |   |   |       |   |    |      |       |       |   |   |   |   |   |   |       |   |    |      |       |       |   |   |   |   |   |   |       |   |    |      |       |       |   |   |   |   |   |   |       |   |    |      |       |       |   |   |   |   |   |   |       |   |    |      |       |       |   |   |   |   |   |   |       |   |    |      |       |       |   |   |   |   |   |   |       |   |     |      |      |       |       |   |   |   |   |   |       |   |     |      |      |       |       |   |   |   |   |   |       |   |     |   |      |       |       |   |   |   |   |   |       |   |     |   |      |       |       |   |   |   |   |   |       |   |     |   |   |       |       |   |   |   |   |   |       |   |     |   |   |      |       |   |   |   |   |   |       |   |     |   |   |      |       |   |   |   |   |   |       |   |     |   |   |      |       |   |   |   |   |   |       |   |     |   |   |   |       |       |   |   |   |   |       |   |     |   |   |   |       |       |   |   |   |   |       |   |     |   |   |   |      |       |   |   |   |   |      |   |     |   |   |   |      |      |   |   |   |   |      |   |     |   |   |   |   |      |   |   |   |   |      |   |     |   |   |   |   |      |   |   |   |   |      |   |     |   |   |   |   |      |   |   |   |   |      |   |     |   |   |   |   |      |   |   |   |   |      |   |     |   |   |   |   |   |      |      |   |   |   |   |     |   |   |   |   |   |      |      |   |   |   |   |     |   |   |   |   |   |      |      |   |   |   |   |     |   |   |   |   |   |   |      |   |   |   |   |     |   |   |   |   |   |   |      |   |   |   |   |     |   |   |   |   |   |   |      |   |   |   |   |
| 96  | 11,6 | 98,0    | 124,0 | -      | -     | -            | -    | -    | - | 116,0 | -    |      |  |  |  |  |  |  |  |  |  |  |      |     |  |  |  |  |  |  |  |  |  |  |  |             |  |  |  |  |  |  |  |  |  |  |  |  |     |     |     |     |     |     |  |  |  |  |  |   |   |   |   |   |   |   |   |   |   |   |   |    |   |        |   |   |   |   |   |   |   |   |   |    |   |        |   |   |   |   |   |   |   |   |   |    |   |        |   |   |   |   |   |   |   |   |   |    |      |       |   |   |   |   |   |   |   |       |   |    |      |       |   |   |   |   |   |   |   |       |   |    |      |       |   |   |   |   |   |   |   |       |   |    |      |       |   |   |   |   |   |   |   |       |   |    |      |       |   |   |   |   |   |   |   |       |   |    |      |       |   |   |   |   |   |   |   |       |   |    |      |       |   |   |   |   |   |   |   |       |   |    |      |       |       |   |   |   |   |   |   |       |   |    |      |       |       |   |   |   |   |   |   |       |   |    |      |       |       |   |   |   |   |   |   |       |   |    |      |       |       |   |   |   |   |   |   |       |   |    |      |       |       |   |   |   |   |   |   |       |   |    |      |       |       |   |   |   |   |   |   |       |   |    |      |       |       |   |   |   |   |   |   |       |   |    |      |       |       |   |   |   |   |   |   |       |   |     |      |      |       |       |   |   |   |   |   |       |   |     |      |      |       |       |   |   |   |   |   |       |   |     |   |      |       |       |   |   |   |   |   |       |   |     |   |      |       |       |   |   |   |   |   |       |   |     |   |   |       |       |   |   |   |   |   |       |   |     |   |   |      |       |   |   |   |   |   |       |   |     |   |   |      |       |   |   |   |   |   |       |   |     |   |   |      |       |   |   |   |   |   |       |   |     |   |   |   |       |       |   |   |   |   |       |   |     |   |   |   |       |       |   |   |   |   |       |   |     |   |   |   |      |       |   |   |   |   |      |   |     |   |   |   |      |      |   |   |   |   |      |   |     |   |   |   |   |      |   |   |   |   |      |   |     |   |   |   |   |      |   |   |   |   |      |   |     |   |   |   |   |      |   |   |   |   |      |   |     |   |   |   |   |      |   |   |   |   |      |   |     |   |   |   |   |   |      |      |   |   |   |   |     |   |   |   |   |   |      |      |   |   |   |   |     |   |   |   |   |   |      |      |   |   |   |   |     |   |   |   |   |   |   |      |   |   |   |   |     |   |   |   |   |   |   |      |   |   |   |   |     |   |   |   |   |   |   |      |   |   |   |   |
| 98  | -    | 94,2    | 122,0 | -      | -     | -            | -    | -    | - | 115,0 | -    |      |  |  |  |  |  |  |  |  |  |  |      |     |  |  |  |  |  |  |  |  |  |  |  |             |  |  |  |  |  |  |  |  |  |  |  |  |     |     |     |     |     |     |  |  |  |  |  |   |   |   |   |   |   |   |   |   |   |   |   |    |   |        |   |   |   |   |   |   |   |   |   |    |   |        |   |   |   |   |   |   |   |   |   |    |   |        |   |   |   |   |   |   |   |   |   |    |      |       |   |   |   |   |   |   |   |       |   |    |      |       |   |   |   |   |   |   |   |       |   |    |      |       |   |   |   |   |   |   |   |       |   |    |      |       |   |   |   |   |   |   |   |       |   |    |      |       |   |   |   |   |   |   |   |       |   |    |      |       |   |   |   |   |   |   |   |       |   |    |      |       |   |   |   |   |   |   |   |       |   |    |      |       |       |   |   |   |   |   |   |       |   |    |      |       |       |   |   |   |   |   |   |       |   |    |      |       |       |   |   |   |   |   |   |       |   |    |      |       |       |   |   |   |   |   |   |       |   |    |      |       |       |   |   |   |   |   |   |       |   |    |      |       |       |   |   |   |   |   |   |       |   |    |      |       |       |   |   |   |   |   |   |       |   |    |      |       |       |   |   |   |   |   |   |       |   |     |      |      |       |       |   |   |   |   |   |       |   |     |      |      |       |       |   |   |   |   |   |       |   |     |   |      |       |       |   |   |   |   |   |       |   |     |   |      |       |       |   |   |   |   |   |       |   |     |   |   |       |       |   |   |   |   |   |       |   |     |   |   |      |       |   |   |   |   |   |       |   |     |   |   |      |       |   |   |   |   |   |       |   |     |   |   |      |       |   |   |   |   |   |       |   |     |   |   |   |       |       |   |   |   |   |       |   |     |   |   |   |       |       |   |   |   |   |       |   |     |   |   |   |      |       |   |   |   |   |      |   |     |   |   |   |      |      |   |   |   |   |      |   |     |   |   |   |   |      |   |   |   |   |      |   |     |   |   |   |   |      |   |   |   |   |      |   |     |   |   |   |   |      |   |   |   |   |      |   |     |   |   |   |   |      |   |   |   |   |      |   |     |   |   |   |   |   |      |      |   |   |   |   |     |   |   |   |   |   |      |      |   |   |   |   |     |   |   |   |   |   |      |      |   |   |   |   |     |   |   |   |   |   |   |      |   |   |   |   |     |   |   |   |   |   |   |      |   |   |   |   |     |   |   |   |   |   |   |      |   |   |   |   |
| 102   | -    | 87,0    | 112,0 | -      | -     | -            | -    | -    | - | 113,0 | -    |      |  |  |  |  |  |  |  |  |  |  |      |     |  |  |  |  |  |  |  |  |  |  |  |             |  |  |  |  |  |  |  |  |  |  |  |  |     |     |     |     |     |     |  |  |  |  |  |   |   |   |   |   |   |   |   |   |   |   |   |    |   |        |   |   |   |   |   |   |   |   |   |    |   |        |   |   |   |   |   |   |   |   |   |    |   |        |   |   |   |   |   |   |   |   |   |    |      |       |   |   |   |   |   |   |   |       |   |    |      |       |   |   |   |   |   |   |   |       |   |    |      |       |   |   |   |   |   |   |   |       |   |    |      |       |   |   |   |   |   |   |   |       |   |    |      |       |   |   |   |   |   |   |   |       |   |    |      |       |   |   |   |   |   |   |   |       |   |    |      |       |   |   |   |   |   |   |   |       |   |    |      |       |       |   |   |   |   |   |   |       |   |    |      |       |       |   |   |   |   |   |   |       |   |    |      |       |       |   |   |   |   |   |   |       |   |    |      |       |       |   |   |   |   |   |   |       |   |    |      |       |       |   |   |   |   |   |   |       |   |    |      |       |       |   |   |   |   |   |   |       |   |    |      |       |       |   |   |   |   |   |   |       |   |    |      |       |       |   |   |   |   |   |   |       |   |     |      |      |       |       |   |   |   |   |   |       |   |     |      |      |       |       |   |   |   |   |   |       |   |     |   |      |       |       |   |   |   |   |   |       |   |     |   |      |       |       |   |   |   |   |   |       |   |     |   |   |       |       |   |   |   |   |   |       |   |     |   |   |      |       |   |   |   |   |   |       |   |     |   |   |      |       |   |   |   |   |   |       |   |     |   |   |      |       |   |   |   |   |   |       |   |     |   |   |   |       |       |   |   |   |   |       |   |     |   |   |   |       |       |   |   |   |   |       |   |     |   |   |   |      |       |   |   |   |   |      |   |     |   |   |   |      |      |   |   |   |   |      |   |     |   |   |   |   |      |   |   |   |   |      |   |     |   |   |   |   |      |   |   |   |   |      |   |     |   |   |   |   |      |   |   |   |   |      |   |     |   |   |   |   |      |   |   |   |   |      |   |     |   |   |   |   |   |      |      |   |   |   |   |     |   |   |   |   |   |      |      |   |   |   |   |     |   |   |   |   |   |      |      |   |   |   |   |     |   |   |   |   |   |   |      |   |   |   |   |     |   |   |   |   |   |   |      |   |   |   |   |     |   |   |   |   |   |   |      |   |   |   |   |
| 106   | -    | 79,0    | 103,0 | 109,0  | -     | -            | -    | -    | - | 110,0 | -    |      |  |  |  |  |  |  |  |  |  |  |      |     |  |  |  |  |  |  |  |  |  |  |  |             |  |  |  |  |  |  |  |  |  |  |  |  |     |     |     |     |     |     |  |  |  |  |  |   |   |   |   |   |   |   |   |   |   |   |   |    |   |        |   |   |   |   |   |   |   |   |   |    |   |        |   |   |   |   |   |   |   |   |   |    |   |        |   |   |   |   |   |   |   |   |   |    |      |       |   |   |   |   |   |   |   |       |   |    |      |       |   |   |   |   |   |   |   |       |   |    |      |       |   |   |   |   |   |   |   |       |   |    |      |       |   |   |   |   |   |   |   |       |   |    |      |       |   |   |   |   |   |   |   |       |   |    |      |       |   |   |   |   |   |   |   |       |   |    |      |       |   |   |   |   |   |   |   |       |   |    |      |       |       |   |   |   |   |   |   |       |   |    |      |       |       |   |   |   |   |   |   |       |   |    |      |       |       |   |   |   |   |   |   |       |   |    |      |       |       |   |   |   |   |   |   |       |   |    |      |       |       |   |   |   |   |   |   |       |   |    |      |       |       |   |   |   |   |   |   |       |   |    |      |       |       |   |   |   |   |   |   |       |   |    |      |       |       |   |   |   |   |   |   |       |   |     |      |      |       |       |   |   |   |   |   |       |   |     |      |      |       |       |   |   |   |   |   |       |   |     |   |      |       |       |   |   |   |   |   |       |   |     |   |      |       |       |   |   |   |   |   |       |   |     |   |   |       |       |   |   |   |   |   |       |   |     |   |   |      |       |   |   |   |   |   |       |   |     |   |   |      |       |   |   |   |   |   |       |   |     |   |   |      |       |   |   |   |   |   |       |   |     |   |   |   |       |       |   |   |   |   |       |   |     |   |   |   |       |       |   |   |   |   |       |   |     |   |   |   |      |       |   |   |   |   |      |   |     |   |   |   |      |      |   |   |   |   |      |   |     |   |   |   |   |      |   |   |   |   |      |   |     |   |   |   |   |      |   |   |   |   |      |   |     |   |   |   |   |      |   |   |   |   |      |   |     |   |   |   |   |      |   |   |   |   |      |   |     |   |   |   |   |   |      |      |   |   |   |   |     |   |   |   |   |   |      |      |   |   |   |   |     |   |   |   |   |   |      |      |   |   |   |   |     |   |   |   |   |   |   |      |   |   |   |   |     |   |   |   |   |   |   |      |   |   |   |   |     |   |   |   |   |   |   |      |   |   |   |   |
| 110   | -    | 69,5    | 95,0  | 109,0  | -     | -            | -    | -    | - | 108,0 | -    |      |  |  |  |  |  |  |  |  |  |  |      |     |  |  |  |  |  |  |  |  |  |  |  |             |  |  |  |  |  |  |  |  |  |  |  |  |     |     |     |     |     |     |  |  |  |  |  |   |   |   |   |   |   |   |   |   |   |   |   |    |   |        |   |   |   |   |   |   |   |   |   |    |   |        |   |   |   |   |   |   |   |   |   |    |   |        |   |   |   |   |   |   |   |   |   |    |      |       |   |   |   |   |   |   |   |       |   |    |      |       |   |   |   |   |   |   |   |       |   |    |      |       |   |   |   |   |   |   |   |       |   |    |      |       |   |   |   |   |   |   |   |       |   |    |      |       |   |   |   |   |   |   |   |       |   |    |      |       |   |   |   |   |   |   |   |       |   |    |      |       |   |   |   |   |   |   |   |       |   |    |      |       |       |   |   |   |   |   |   |       |   |    |      |       |       |   |   |   |   |   |   |       |   |    |      |       |       |   |   |   |   |   |   |       |   |    |      |       |       |   |   |   |   |   |   |       |   |    |      |       |       |   |   |   |   |   |   |       |   |    |      |       |       |   |   |   |   |   |   |       |   |    |      |       |       |   |   |   |   |   |   |       |   |    |      |       |       |   |   |   |   |   |   |       |   |     |      |      |       |       |   |   |   |   |   |       |   |     |      |      |       |       |   |   |   |   |   |       |   |     |   |      |       |       |   |   |   |   |   |       |   |     |   |      |       |       |   |   |   |   |   |       |   |     |   |   |       |       |   |   |   |   |   |       |   |     |   |   |      |       |   |   |   |   |   |       |   |     |   |   |      |       |   |   |   |   |   |       |   |     |   |   |      |       |   |   |   |   |   |       |   |     |   |   |   |       |       |   |   |   |   |       |   |     |   |   |   |       |       |   |   |   |   |       |   |     |   |   |   |      |       |   |   |   |   |      |   |     |   |   |   |      |      |   |   |   |   |      |   |     |   |   |   |   |      |   |   |   |   |      |   |     |   |   |   |   |      |   |   |   |   |      |   |     |   |   |   |   |      |   |   |   |   |      |   |     |   |   |   |   |      |   |   |   |   |      |   |     |   |   |   |   |   |      |      |   |   |   |   |     |   |   |   |   |   |      |      |   |   |   |   |     |   |   |   |   |   |      |      |   |   |   |   |     |   |   |   |   |   |   |      |   |   |   |   |     |   |   |   |   |   |   |      |   |   |   |   |     |   |   |   |   |   |   |      |   |   |   |   |
| 112   | -    | 64,5    | 91,5  | 109,0  | -     | -            | -    | -    | - | 107,0 | -    |      |  |  |  |  |  |  |  |  |  |  |      |     |  |  |  |  |  |  |  |  |  |  |  |             |  |  |  |  |  |  |  |  |  |  |  |  |     |     |     |     |     |     |  |  |  |  |  |   |   |   |   |   |   |   |   |   |   |   |   |    |   |        |   |   |   |   |   |   |   |   |   |    |   |        |   |   |   |   |   |   |   |   |   |    |   |        |   |   |   |   |   |   |   |   |   |    |      |       |   |   |   |   |   |   |   |       |   |    |      |       |   |   |   |   |   |   |   |       |   |    |      |       |   |   |   |   |   |   |   |       |   |    |      |       |   |   |   |   |   |   |   |       |   |    |      |       |   |   |   |   |   |   |   |       |   |    |      |       |   |   |   |   |   |   |   |       |   |    |      |       |   |   |   |   |   |   |   |       |   |    |      |       |       |   |   |   |   |   |   |       |   |    |      |       |       |   |   |   |   |   |   |       |   |    |      |       |       |   |   |   |   |   |   |       |   |    |      |       |       |   |   |   |   |   |   |       |   |    |      |       |       |   |   |   |   |   |   |       |   |    |      |       |       |   |   |   |   |   |   |       |   |    |      |       |       |   |   |   |   |   |   |       |   |    |      |       |       |   |   |   |   |   |   |       |   |     |      |      |       |       |   |   |   |   |   |       |   |     |      |      |       |       |   |   |   |   |   |       |   |     |   |      |       |       |   |   |   |   |   |       |   |     |   |      |       |       |   |   |   |   |   |       |   |     |   |   |       |       |   |   |   |   |   |       |   |     |   |   |      |       |   |   |   |   |   |       |   |     |   |   |      |       |   |   |   |   |   |       |   |     |   |   |      |       |   |   |   |   |   |       |   |     |   |   |   |       |       |   |   |   |   |       |   |     |   |   |   |       |       |   |   |   |   |       |   |     |   |   |   |      |       |   |   |   |   |      |   |     |   |   |   |      |      |   |   |   |   |      |   |     |   |   |   |   |      |   |   |   |   |      |   |     |   |   |   |   |      |   |   |   |   |      |   |     |   |   |   |   |      |   |   |   |   |      |   |     |   |   |   |   |      |   |   |   |   |      |   |     |   |   |   |   |   |      |      |   |   |   |   |     |   |   |   |   |   |      |      |   |   |   |   |     |   |   |   |   |   |      |      |   |   |   |   |     |   |   |   |   |   |   |      |   |   |   |   |     |   |   |   |   |   |   |      |   |   |   |   |     |   |   |   |   |   |   |      |   |   |   |   |
| 114   | -    | -       | 88,0  | 109,0  | -     | -            | -    | -    | - | 106,0 | -    |      |  |  |  |  |  |  |  |  |  |  |      |     |  |  |  |  |  |  |  |  |  |  |  |             |  |  |  |  |  |  |  |  |  |  |  |  |     |     |     |     |     |     |  |  |  |  |  |   |   |   |   |   |   |   |   |   |   |   |   |    |   |        |   |   |   |   |   |   |   |   |   |    |   |        |   |   |   |   |   |   |   |   |   |    |   |        |   |   |   |   |   |   |   |   |   |    |      |       |   |   |   |   |   |   |   |       |   |    |      |       |   |   |   |   |   |   |   |       |   |    |      |       |   |   |   |   |   |   |   |       |   |    |      |       |   |   |   |   |   |   |   |       |   |    |      |       |   |   |   |   |   |   |   |       |   |    |      |       |   |   |   |   |   |   |   |       |   |    |      |       |   |   |   |   |   |   |   |       |   |    |      |       |       |   |   |   |   |   |   |       |   |    |      |       |       |   |   |   |   |   |   |       |   |    |      |       |       |   |   |   |   |   |   |       |   |    |      |       |       |   |   |   |   |   |   |       |   |    |      |       |       |   |   |   |   |   |   |       |   |    |      |       |       |   |   |   |   |   |   |       |   |    |      |       |       |   |   |   |   |   |   |       |   |    |      |       |       |   |   |   |   |   |   |       |   |     |      |      |       |       |   |   |   |   |   |       |   |     |      |      |       |       |   |   |   |   |   |       |   |     |   |      |       |       |   |   |   |   |   |       |   |     |   |      |       |       |   |   |   |   |   |       |   |     |   |   |       |       |   |   |   |   |   |       |   |     |   |   |      |       |   |   |   |   |   |       |   |     |   |   |      |       |   |   |   |   |   |       |   |     |   |   |      |       |   |   |   |   |   |       |   |     |   |   |   |       |       |   |   |   |   |       |   |     |   |   |   |       |       |   |   |   |   |       |   |     |   |   |   |      |       |   |   |   |   |      |   |     |   |   |   |      |      |   |   |   |   |      |   |     |   |   |   |   |      |   |   |   |   |      |   |     |   |   |   |   |      |   |   |   |   |      |   |     |   |   |   |   |      |   |   |   |   |      |   |     |   |   |   |   |      |   |   |   |   |      |   |     |   |   |   |   |   |      |      |   |   |   |   |     |   |   |   |   |   |      |      |   |   |   |   |     |   |   |   |   |   |      |      |   |   |   |   |     |   |   |   |   |   |   |      |   |   |   |   |     |   |   |   |   |   |   |      |   |   |   |   |     |   |   |   |   |   |   |      |   |   |   |   |
| 118   | -    | -       | 81,0  | 103,0  | -     | -            | -    | -    | - | 104,0 | -    |      |  |  |  |  |  |  |  |  |  |  |      |     |  |  |  |  |  |  |  |  |  |  |  |             |  |  |  |  |  |  |  |  |  |  |  |  |     |     |     |     |     |     |  |  |  |  |  |   |   |   |   |   |   |   |   |   |   |   |   |    |   |        |   |   |   |   |   |   |   |   |   |    |   |        |   |   |   |   |   |   |   |   |   |    |   |        |   |   |   |   |   |   |   |   |   |    |      |       |   |   |   |   |   |   |   |       |   |    |      |       |   |   |   |   |   |   |   |       |   |    |      |       |   |   |   |   |   |   |   |       |   |    |      |       |   |   |   |   |   |   |   |       |   |    |      |       |   |   |   |   |   |   |   |       |   |    |      |       |   |   |   |   |   |   |   |       |   |    |      |       |   |   |   |   |   |   |   |       |   |    |      |       |       |   |   |   |   |   |   |       |   |    |      |       |       |   |   |   |   |   |   |       |   |    |      |       |       |   |   |   |   |   |   |       |   |    |      |       |       |   |   |   |   |   |   |       |   |    |      |       |       |   |   |   |   |   |   |       |   |    |      |       |       |   |   |   |   |   |   |       |   |    |      |       |       |   |   |   |   |   |   |       |   |    |      |       |       |   |   |   |   |   |   |       |   |     |      |      |       |       |   |   |   |   |   |       |   |     |      |      |       |       |   |   |   |   |   |       |   |     |   |      |       |       |   |   |   |   |   |       |   |     |   |      |       |       |   |   |   |   |   |       |   |     |   |   |       |       |   |   |   |   |   |       |   |     |   |   |      |       |   |   |   |   |   |       |   |     |   |   |      |       |   |   |   |   |   |       |   |     |   |   |      |       |   |   |   |   |   |       |   |     |   |   |   |       |       |   |   |   |   |       |   |     |   |   |   |       |       |   |   |   |   |       |   |     |   |   |   |      |       |   |   |   |   |      |   |     |   |   |   |      |      |   |   |   |   |      |   |     |   |   |   |   |      |   |   |   |   |      |   |     |   |   |   |   |      |   |   |   |   |      |   |     |   |   |   |   |      |   |   |   |   |      |   |     |   |   |   |   |      |   |   |   |   |      |   |     |   |   |   |   |   |      |      |   |   |   |   |     |   |   |   |   |   |      |      |   |   |   |   |     |   |   |   |   |   |      |      |   |   |   |   |     |   |   |   |   |   |   |      |   |   |   |   |     |   |   |   |   |   |   |      |   |   |   |   |     |   |   |   |   |   |   |      |   |   |   |   |
| 122   | -    | -       | 75,0  | 95,0   | -     | -            | -    | -    | - | 101,0 | -    |      |  |  |  |  |  |  |  |  |  |  |      |     |  |  |  |  |  |  |  |  |  |  |  |             |  |  |  |  |  |  |  |  |  |  |  |  |     |     |     |     |     |     |  |  |  |  |  |   |   |   |   |   |   |   |   |   |   |   |   |    |   |        |   |   |   |   |   |   |   |   |   |    |   |        |   |   |   |   |   |   |   |   |   |    |   |        |   |   |   |   |   |   |   |   |   |    |      |       |   |   |   |   |   |   |   |       |   |    |      |       |   |   |   |   |   |   |   |       |   |    |      |       |   |   |   |   |   |   |   |       |   |    |      |       |   |   |   |   |   |   |   |       |   |    |      |       |   |   |   |   |   |   |   |       |   |    |      |       |   |   |   |   |   |   |   |       |   |    |      |       |   |   |   |   |   |   |   |       |   |    |      |       |       |   |   |   |   |   |   |       |   |    |      |       |       |   |   |   |   |   |   |       |   |    |      |       |       |   |   |   |   |   |   |       |   |    |      |       |       |   |   |   |   |   |   |       |   |    |      |       |       |   |   |   |   |   |   |       |   |    |      |       |       |   |   |   |   |   |   |       |   |    |      |       |       |   |   |   |   |   |   |       |   |    |      |       |       |   |   |   |   |   |   |       |   |     |      |      |       |       |   |   |   |   |   |       |   |     |      |      |       |       |   |   |   |   |   |       |   |     |   |      |       |       |   |   |   |   |   |       |   |     |   |      |       |       |   |   |   |   |   |       |   |     |   |   |       |       |   |   |   |   |   |       |   |     |   |   |      |       |   |   |   |   |   |       |   |     |   |   |      |       |   |   |   |   |   |       |   |     |   |   |      |       |   |   |   |   |   |       |   |     |   |   |   |       |       |   |   |   |   |       |   |     |   |   |   |       |       |   |   |   |   |       |   |     |   |   |   |      |       |   |   |   |   |      |   |     |   |   |   |      |      |   |   |   |   |      |   |     |   |   |   |   |      |   |   |   |   |      |   |     |   |   |   |   |      |   |   |   |   |      |   |     |   |   |   |   |      |   |   |   |   |      |   |     |   |   |   |   |      |   |   |   |   |      |   |     |   |   |   |   |   |      |      |   |   |   |   |     |   |   |   |   |   |      |      |   |   |   |   |     |   |   |   |   |   |      |      |   |   |   |   |     |   |   |   |   |   |   |      |   |   |   |   |     |   |   |   |   |   |   |      |   |   |   |   |     |   |   |   |   |   |   |      |   |   |   |   |
| 124   | -    | -       | 72,0  | 91,5   | -     | -            | -    | -    | - | 97,0  | -    |      |  |  |  |  |  |  |  |  |  |  |      |     |  |  |  |  |  |  |  |  |  |  |  |             |  |  |  |  |  |  |  |  |  |  |  |  |     |     |     |     |     |     |  |  |  |  |  |   |   |   |   |   |   |   |   |   |   |   |   |    |   |        |   |   |   |   |   |   |   |   |   |    |   |        |   |   |   |   |   |   |   |   |   |    |   |        |   |   |   |   |   |   |   |   |   |    |      |       |   |   |   |   |   |   |   |       |   |    |      |       |   |   |   |   |   |   |   |       |   |    |      |       |   |   |   |   |   |   |   |       |   |    |      |       |   |   |   |   |   |   |   |       |   |    |      |       |   |   |   |   |   |   |   |       |   |    |      |       |   |   |   |   |   |   |   |       |   |    |      |       |   |   |   |   |   |   |   |       |   |    |      |       |       |   |   |   |   |   |   |       |   |    |      |       |       |   |   |   |   |   |   |       |   |    |      |       |       |   |   |   |   |   |   |       |   |    |      |       |       |   |   |   |   |   |   |       |   |    |      |       |       |   |   |   |   |   |   |       |   |    |      |       |       |   |   |   |   |   |   |       |   |    |      |       |       |   |   |   |   |   |   |       |   |    |      |       |       |   |   |   |   |   |   |       |   |     |      |      |       |       |   |   |   |   |   |       |   |     |      |      |       |       |   |   |   |   |   |       |   |     |   |      |       |       |   |   |   |   |   |       |   |     |   |      |       |       |   |   |   |   |   |       |   |     |   |   |       |       |   |   |   |   |   |       |   |     |   |   |      |       |   |   |   |   |   |       |   |     |   |   |      |       |   |   |   |   |   |       |   |     |   |   |      |       |   |   |   |   |   |       |   |     |   |   |   |       |       |   |   |   |   |       |   |     |   |   |   |       |       |   |   |   |   |       |   |     |   |   |   |      |       |   |   |   |   |      |   |     |   |   |   |      |      |   |   |   |   |      |   |     |   |   |   |   |      |   |   |   |   |      |   |     |   |   |   |   |      |   |   |   |   |      |   |     |   |   |   |   |      |   |   |   |   |      |   |     |   |   |   |   |      |   |   |   |   |      |   |     |   |   |   |   |   |      |      |   |   |   |   |     |   |   |   |   |   |      |      |   |   |   |   |     |   |   |   |   |   |      |      |   |   |   |   |     |   |   |   |   |   |   |      |   |   |   |   |     |   |   |   |   |   |   |      |   |   |   |   |     |   |   |   |   |   |   |      |   |   |   |   |
| 126   | -    | -       | -     | 88,0   | -     | -            | -    | -    | - | 93,0  | -    |      |  |  |  |  |  |  |  |  |  |  |      |     |  |  |  |  |  |  |  |  |  |  |  |             |  |  |  |  |  |  |  |  |  |  |  |  |     |     |     |     |     |     |  |  |  |  |  |   |   |   |   |   |   |   |   |   |   |   |   |    |   |        |   |   |   |   |   |   |   |   |   |    |   |        |   |   |   |   |   |   |   |   |   |    |   |        |   |   |   |   |   |   |   |   |   |    |      |       |   |   |   |   |   |   |   |       |   |    |      |       |   |   |   |   |   |   |   |       |   |    |      |       |   |   |   |   |   |   |   |       |   |    |      |       |   |   |   |   |   |   |   |       |   |    |      |       |   |   |   |   |   |   |   |       |   |    |      |       |   |   |   |   |   |   |   |       |   |    |      |       |   |   |   |   |   |   |   |       |   |    |      |       |       |   |   |   |   |   |   |       |   |    |      |       |       |   |   |   |   |   |   |       |   |    |      |       |       |   |   |   |   |   |   |       |   |    |      |       |       |   |   |   |   |   |   |       |   |    |      |       |       |   |   |   |   |   |   |       |   |    |      |       |       |   |   |   |   |   |   |       |   |    |      |       |       |   |   |   |   |   |   |       |   |    |      |       |       |   |   |   |   |   |   |       |   |     |      |      |       |       |   |   |   |   |   |       |   |     |      |      |       |       |   |   |   |   |   |       |   |     |   |      |       |       |   |   |   |   |   |       |   |     |   |      |       |       |   |   |   |   |   |       |   |     |   |   |       |       |   |   |   |   |   |       |   |     |   |   |      |       |   |   |   |   |   |       |   |     |   |   |      |       |   |   |   |   |   |       |   |     |   |   |      |       |   |   |   |   |   |       |   |     |   |   |   |       |       |   |   |   |   |       |   |     |   |   |   |       |       |   |   |   |   |       |   |     |   |   |   |      |       |   |   |   |   |      |   |     |   |   |   |      |      |   |   |   |   |      |   |     |   |   |   |   |      |   |   |   |   |      |   |     |   |   |   |   |      |   |   |   |   |      |   |     |   |   |   |   |      |   |   |   |   |      |   |     |   |   |   |   |      |   |   |   |   |      |   |     |   |   |   |   |   |      |      |   |   |   |   |     |   |   |   |   |   |      |      |   |   |   |   |     |   |   |   |   |   |      |      |   |   |   |   |     |   |   |   |   |   |   |      |   |   |   |   |     |   |   |   |   |   |   |      |   |   |   |   |     |   |   |   |   |   |   |      |   |   |   |   |
| 130   | -    | -       | -     | 81,0   | 85,5  | -            | -    | -    | - | 83,5  | -    |      |  |  |  |  |  |  |  |  |  |  |      |     |  |  |  |  |  |  |  |  |  |  |  |             |  |  |  |  |  |  |  |  |  |  |  |  |     |     |     |     |     |     |  |  |  |  |  |   |   |   |   |   |   |   |   |   |   |   |   |    |   |        |   |   |   |   |   |   |   |   |   |    |   |        |   |   |   |   |   |   |   |   |   |    |   |        |   |   |   |   |   |   |   |   |   |    |      |       |   |   |   |   |   |   |   |       |   |    |      |       |   |   |   |   |   |   |   |       |   |    |      |       |   |   |   |   |   |   |   |       |   |    |      |       |   |   |   |   |   |   |   |       |   |    |      |       |   |   |   |   |   |   |   |       |   |    |      |       |   |   |   |   |   |   |   |       |   |    |      |       |   |   |   |   |   |   |   |       |   |    |      |       |       |   |   |   |   |   |   |       |   |    |      |       |       |   |   |   |   |   |   |       |   |    |      |       |       |   |   |   |   |   |   |       |   |    |      |       |       |   |   |   |   |   |   |       |   |    |      |       |       |   |   |   |   |   |   |       |   |    |      |       |       |   |   |   |   |   |   |       |   |    |      |       |       |   |   |   |   |   |   |       |   |    |      |       |       |   |   |   |   |   |   |       |   |     |      |      |       |       |   |   |   |   |   |       |   |     |      |      |       |       |   |   |   |   |   |       |   |     |   |      |       |       |   |   |   |   |   |       |   |     |   |      |       |       |   |   |   |   |   |       |   |     |   |   |       |       |   |   |   |   |   |       |   |     |   |   |      |       |   |   |   |   |   |       |   |     |   |   |      |       |   |   |   |   |   |       |   |     |   |   |      |       |   |   |   |   |   |       |   |     |   |   |   |       |       |   |   |   |   |       |   |     |   |   |   |       |       |   |   |   |   |       |   |     |   |   |   |      |       |   |   |   |   |      |   |     |   |   |   |      |      |   |   |   |   |      |   |     |   |   |   |   |      |   |   |   |   |      |   |     |   |   |   |   |      |   |   |   |   |      |   |     |   |   |   |   |      |   |   |   |   |      |   |     |   |   |   |   |      |   |   |   |   |      |   |     |   |   |   |   |   |      |      |   |   |   |   |     |   |   |   |   |   |      |      |   |   |   |   |     |   |   |   |   |   |      |      |   |   |   |   |     |   |   |   |   |   |   |      |   |   |   |   |     |   |   |   |   |   |   |      |   |   |   |   |     |   |   |   |   |   |   |      |   |   |   |   |
| 134   | -    | -       | -     | 75,0   | 80,5  | -            | -    | -    | - | 75,0  | -    |      |  |  |  |  |  |  |  |  |  |  |      |     |  |  |  |  |  |  |  |  |  |  |  |             |  |  |  |  |  |  |  |  |  |  |  |  |     |     |     |     |     |     |  |  |  |  |  |   |   |   |   |   |   |   |   |   |   |   |   |    |   |        |   |   |   |   |   |   |   |   |   |    |   |        |   |   |   |   |   |   |   |   |   |    |   |        |   |   |   |   |   |   |   |   |   |    |      |       |   |   |   |   |   |   |   |       |   |    |      |       |   |   |   |   |   |   |   |       |   |    |      |       |   |   |   |   |   |   |   |       |   |    |      |       |   |   |   |   |   |   |   |       |   |    |      |       |   |   |   |   |   |   |   |       |   |    |      |       |   |   |   |   |   |   |   |       |   |    |      |       |   |   |   |   |   |   |   |       |   |    |      |       |       |   |   |   |   |   |   |       |   |    |      |       |       |   |   |   |   |   |   |       |   |    |      |       |       |   |   |   |   |   |   |       |   |    |      |       |       |   |   |   |   |   |   |       |   |    |      |       |       |   |   |   |   |   |   |       |   |    |      |       |       |   |   |   |   |   |   |       |   |    |      |       |       |   |   |   |   |   |   |       |   |    |      |       |       |   |   |   |   |   |   |       |   |     |      |      |       |       |   |   |   |   |   |       |   |     |      |      |       |       |   |   |   |   |   |       |   |     |   |      |       |       |   |   |   |   |   |       |   |     |   |      |       |       |   |   |   |   |   |       |   |     |   |   |       |       |   |   |   |   |   |       |   |     |   |   |      |       |   |   |   |   |   |       |   |     |   |   |      |       |   |   |   |   |   |       |   |     |   |   |      |       |   |   |   |   |   |       |   |     |   |   |   |       |       |   |   |   |   |       |   |     |   |   |   |       |       |   |   |   |   |       |   |     |   |   |   |      |       |   |   |   |   |      |   |     |   |   |   |      |      |   |   |   |   |      |   |     |   |   |   |   |      |   |   |   |   |      |   |     |   |   |   |   |      |   |   |   |   |      |   |     |   |   |   |   |      |   |   |   |   |      |   |     |   |   |   |   |      |   |   |   |   |      |   |     |   |   |   |   |   |      |      |   |   |   |   |     |   |   |   |   |   |      |      |   |   |   |   |     |   |   |   |   |   |      |      |   |   |   |   |     |   |   |   |   |   |   |      |   |   |   |   |     |   |   |   |   |   |   |      |   |   |   |   |     |   |   |   |   |   |   |      |   |   |   |   |
| 136   | -    | -       | -     | 72,5   | 78,5  | -            | -    | -    | - | 70,5  | -    |      |  |  |  |  |  |  |  |  |  |  |      |     |  |  |  |  |  |  |  |  |  |  |  |             |  |  |  |  |  |  |  |  |  |  |  |  |     |     |     |     |     |     |  |  |  |  |  |   |   |   |   |   |   |   |   |   |   |   |   |    |   |        |   |   |   |   |   |   |   |   |   |    |   |        |   |   |   |   |   |   |   |   |   |    |   |        |   |   |   |   |   |   |   |   |   |    |      |       |   |   |   |   |   |   |   |       |   |    |      |       |   |   |   |   |   |   |   |       |   |    |      |       |   |   |   |   |   |   |   |       |   |    |      |       |   |   |   |   |   |   |   |       |   |    |      |       |   |   |   |   |   |   |   |       |   |    |      |       |   |   |   |   |   |   |   |       |   |    |      |       |   |   |   |   |   |   |   |       |   |    |      |       |       |   |   |   |   |   |   |       |   |    |      |       |       |   |   |   |   |   |   |       |   |    |      |       |       |   |   |   |   |   |   |       |   |    |      |       |       |   |   |   |   |   |   |       |   |    |      |       |       |   |   |   |   |   |   |       |   |    |      |       |       |   |   |   |   |   |   |       |   |    |      |       |       |   |   |   |   |   |   |       |   |    |      |       |       |   |   |   |   |   |   |       |   |     |      |      |       |       |   |   |   |   |   |       |   |     |      |      |       |       |   |   |   |   |   |       |   |     |   |      |       |       |   |   |   |   |   |       |   |     |   |      |       |       |   |   |   |   |   |       |   |     |   |   |       |       |   |   |   |   |   |       |   |     |   |   |      |       |   |   |   |   |   |       |   |     |   |   |      |       |   |   |   |   |   |       |   |     |   |   |      |       |   |   |   |   |   |       |   |     |   |   |   |       |       |   |   |   |   |       |   |     |   |   |   |       |       |   |   |   |   |       |   |     |   |   |   |      |       |   |   |   |   |      |   |     |   |   |   |      |      |   |   |   |   |      |   |     |   |   |   |   |      |   |   |   |   |      |   |     |   |   |   |   |      |   |   |   |   |      |   |     |   |   |   |   |      |   |   |   |   |      |   |     |   |   |   |   |      |   |   |   |   |      |   |     |   |   |   |   |   |      |      |   |   |   |   |     |   |   |   |   |   |      |      |   |   |   |   |     |   |   |   |   |   |      |      |   |   |   |   |     |   |   |   |   |   |   |      |   |   |   |   |     |   |   |   |   |   |   |      |   |   |   |   |     |   |   |   |   |   |   |      |   |   |   |   |
| 138   | -    | -       | -     | -      | 76,0  | -            | -    | -    | - | 66,0  | -    |      |  |  |  |  |  |  |  |  |  |  |      |     |  |  |  |  |  |  |  |  |  |  |  |             |  |  |  |  |  |  |  |  |  |  |  |  |     |     |     |     |     |     |  |  |  |  |  |   |   |   |   |   |   |   |   |   |   |   |   |    |   |        |   |   |   |   |   |   |   |   |   |    |   |        |   |   |   |   |   |   |   |   |   |    |   |        |   |   |   |   |   |   |   |   |   |    |      |       |   |   |   |   |   |   |   |       |   |    |      |       |   |   |   |   |   |   |   |       |   |    |      |       |   |   |   |   |   |   |   |       |   |    |      |       |   |   |   |   |   |   |   |       |   |    |      |       |   |   |   |   |   |   |   |       |   |    |      |       |   |   |   |   |   |   |   |       |   |    |      |       |   |   |   |   |   |   |   |       |   |    |      |       |       |   |   |   |   |   |   |       |   |    |      |       |       |   |   |   |   |   |   |       |   |    |      |       |       |   |   |   |   |   |   |       |   |    |      |       |       |   |   |   |   |   |   |       |   |    |      |       |       |   |   |   |   |   |   |       |   |    |      |       |       |   |   |   |   |   |   |       |   |    |      |       |       |   |   |   |   |   |   |       |   |    |      |       |       |   |   |   |   |   |   |       |   |     |      |      |       |       |   |   |   |   |   |       |   |     |      |      |       |       |   |   |   |   |   |       |   |     |   |      |       |       |   |   |   |   |   |       |   |     |   |      |       |       |   |   |   |   |   |       |   |     |   |   |       |       |   |   |   |   |   |       |   |     |   |   |      |       |   |   |   |   |   |       |   |     |   |   |      |       |   |   |   |   |   |       |   |     |   |   |      |       |   |   |   |   |   |       |   |     |   |   |   |       |       |   |   |   |   |       |   |     |   |   |   |       |       |   |   |   |   |       |   |     |   |   |   |      |       |   |   |   |   |      |   |     |   |   |   |      |      |   |   |   |   |      |   |     |   |   |   |   |      |   |   |   |   |      |   |     |   |   |   |   |      |   |   |   |   |      |   |     |   |   |   |   |      |   |   |   |   |      |   |     |   |   |   |   |      |   |   |   |   |      |   |     |   |   |   |   |   |      |      |   |   |   |   |     |   |   |   |   |   |      |      |   |   |   |   |     |   |   |   |   |   |      |      |   |   |   |   |     |   |   |   |   |   |   |      |   |   |   |   |     |   |   |   |   |   |   |      |   |   |   |   |     |   |   |   |   |   |   |      |   |   |   |   |
| 142   | -    | -       | -     | -      | 72,0  | -            | -    | -    | - | 58,0  | -    |      |  |  |  |  |  |  |  |  |  |  |      |     |  |  |  |  |  |  |  |  |  |  |  |             |  |  |  |  |  |  |  |  |  |  |  |  |     |     |     |     |     |     |  |  |  |  |  |   |   |   |   |   |   |   |   |   |   |   |   |    |   |        |   |   |   |   |   |   |   |   |   |    |   |        |   |   |   |   |   |   |   |   |   |    |   |        |   |   |   |   |   |   |   |   |   |    |      |       |   |   |   |   |   |   |   |       |   |    |      |       |   |   |   |   |   |   |   |       |   |    |      |       |   |   |   |   |   |   |   |       |   |    |      |       |   |   |   |   |   |   |   |       |   |    |      |       |   |   |   |   |   |   |   |       |   |    |      |       |   |   |   |   |   |   |   |       |   |    |      |       |   |   |   |   |   |   |   |       |   |    |      |       |       |   |   |   |   |   |   |       |   |    |      |       |       |   |   |   |   |   |   |       |   |    |      |       |       |   |   |   |   |   |   |       |   |    |      |       |       |   |   |   |   |   |   |       |   |    |      |       |       |   |   |   |   |   |   |       |   |    |      |       |       |   |   |   |   |   |   |       |   |    |      |       |       |   |   |   |   |   |   |       |   |    |      |       |       |   |   |   |   |   |   |       |   |     |      |      |       |       |   |   |   |   |   |       |   |     |      |      |       |       |   |   |   |   |   |       |   |     |   |      |       |       |   |   |   |   |   |       |   |     |   |      |       |       |   |   |   |   |   |       |   |     |   |   |       |       |   |   |   |   |   |       |   |     |   |   |      |       |   |   |   |   |   |       |   |     |   |   |      |       |   |   |   |   |   |       |   |     |   |   |      |       |   |   |   |   |   |       |   |     |   |   |   |       |       |   |   |   |   |       |   |     |   |   |   |       |       |   |   |   |   |       |   |     |   |   |   |      |       |   |   |   |   |      |   |     |   |   |   |      |      |   |   |   |   |      |   |     |   |   |   |   |      |   |   |   |   |      |   |     |   |   |   |   |      |   |   |   |   |      |   |     |   |   |   |   |      |   |   |   |   |      |   |     |   |   |   |   |      |   |   |   |   |      |   |     |   |   |   |   |   |      |      |   |   |   |   |     |   |   |   |   |   |      |      |   |   |   |   |     |   |   |   |   |   |      |      |   |   |   |   |     |   |   |   |   |   |   |      |   |   |   |   |     |   |   |   |   |   |   |      |   |   |   |   |     |   |   |   |   |   |   |      |   |   |   |   |
| 146   | -    | -       | -     | -      | 68,5  | -            | -    | -    | - | 50,0  | -    |      |  |  |  |  |  |  |  |  |  |  |      |     |  |  |  |  |  |  |  |  |  |  |  |             |  |  |  |  |  |  |  |  |  |  |  |  |     |     |     |     |     |     |  |  |  |  |  |   |   |   |   |   |   |   |   |   |   |   |   |    |   |        |   |   |   |   |   |   |   |   |   |    |   |        |   |   |   |   |   |   |   |   |   |    |   |        |   |   |   |   |   |   |   |   |   |    |      |       |   |   |   |   |   |   |   |       |   |    |      |       |   |   |   |   |   |   |   |       |   |    |      |       |   |   |   |   |   |   |   |       |   |    |      |       |   |   |   |   |   |   |   |       |   |    |      |       |   |   |   |   |   |   |   |       |   |    |      |       |   |   |   |   |   |   |   |       |   |    |      |       |   |   |   |   |   |   |   |       |   |    |      |       |       |   |   |   |   |   |   |       |   |    |      |       |       |   |   |   |   |   |   |       |   |    |      |       |       |   |   |   |   |   |   |       |   |    |      |       |       |   |   |   |   |   |   |       |   |    |      |       |       |   |   |   |   |   |   |       |   |    |      |       |       |   |   |   |   |   |   |       |   |    |      |       |       |   |   |   |   |   |   |       |   |    |      |       |       |   |   |   |   |   |   |       |   |     |      |      |       |       |   |   |   |   |   |       |   |     |      |      |       |       |   |   |   |   |   |       |   |     |   |      |       |       |   |   |   |   |   |       |   |     |   |      |       |       |   |   |   |   |   |       |   |     |   |   |       |       |   |   |   |   |   |       |   |     |   |   |      |       |   |   |   |   |   |       |   |     |   |   |      |       |   |   |   |   |   |       |   |     |   |   |      |       |   |   |   |   |   |       |   |     |   |   |   |       |       |   |   |   |   |       |   |     |   |   |   |       |       |   |   |   |   |       |   |     |   |   |   |      |       |   |   |   |   |      |   |     |   |   |   |      |      |   |   |   |   |      |   |     |   |   |   |   |      |   |   |   |   |      |   |     |   |   |   |   |      |   |   |   |   |      |   |     |   |   |   |   |      |   |   |   |   |      |   |     |   |   |   |   |      |   |   |   |   |      |   |     |   |   |   |   |   |      |      |   |   |   |   |     |   |   |   |   |   |      |      |   |   |   |   |     |   |   |   |   |   |      |      |   |   |   |   |     |   |   |   |   |   |   |      |   |   |   |   |     |   |   |   |   |   |   |      |   |   |   |   |     |   |   |   |   |   |   |      |   |   |   |   |
| 148   | -    | -       | -     | -      | 66,5  | -            | -    | -    | - | 46,2  | -    |      |  |  |  |  |  |  |  |  |  |  |      |     |  |  |  |  |  |  |  |  |  |  |  |             |  |  |  |  |  |  |  |  |  |  |  |  |     |     |     |     |     |     |  |  |  |  |  |   |   |   |   |   |   |   |   |   |   |   |   |    |   |        |   |   |   |   |   |   |   |   |   |    |   |        |   |   |   |   |   |   |   |   |   |    |   |        |   |   |   |   |   |   |   |   |   |    |      |       |   |   |   |   |   |   |   |       |   |    |      |       |   |   |   |   |   |   |   |       |   |    |      |       |   |   |   |   |   |   |   |       |   |    |      |       |   |   |   |   |   |   |   |       |   |    |      |       |   |   |   |   |   |   |   |       |   |    |      |       |   |   |   |   |   |   |   |       |   |    |      |       |   |   |   |   |   |   |   |       |   |    |      |       |       |   |   |   |   |   |   |       |   |    |      |       |       |   |   |   |   |   |   |       |   |    |      |       |       |   |   |   |   |   |   |       |   |    |      |       |       |   |   |   |   |   |   |       |   |    |      |       |       |   |   |   |   |   |   |       |   |    |      |       |       |   |   |   |   |   |   |       |   |    |      |       |       |   |   |   |   |   |   |       |   |    |      |       |       |   |   |   |   |   |   |       |   |     |      |      |       |       |   |   |   |   |   |       |   |     |      |      |       |       |   |   |   |   |   |       |   |     |   |      |       |       |   |   |   |   |   |       |   |     |   |      |       |       |   |   |   |   |   |       |   |     |   |   |       |       |   |   |   |   |   |       |   |     |   |   |      |       |   |   |   |   |   |       |   |     |   |   |      |       |   |   |   |   |   |       |   |     |   |   |      |       |   |   |   |   |   |       |   |     |   |   |   |       |       |   |   |   |   |       |   |     |   |   |   |       |       |   |   |   |   |       |   |     |   |   |   |      |       |   |   |   |   |      |   |     |   |   |   |      |      |   |   |   |   |      |   |     |   |   |   |   |      |   |   |   |   |      |   |     |   |   |   |   |      |   |   |   |   |      |   |     |   |   |   |   |      |   |   |   |   |      |   |     |   |   |   |   |      |   |   |   |   |      |   |     |   |   |   |   |   |      |      |   |   |   |   |     |   |   |   |   |   |      |      |   |   |   |   |     |   |   |   |   |   |      |      |   |   |   |   |     |   |   |   |   |   |   |      |   |   |   |   |     |   |   |   |   |   |   |      |   |   |   |   |     |   |   |   |   |   |   |      |   |   |   |   |
| 150   | -    | -       | -     | -      | -     | 44,4         | 43,0 | -    | - | -     | -    |      |  |  |  |  |  |  |  |  |  |  |      |     |  |  |  |  |  |  |  |  |  |  |  |             |  |  |  |  |  |  |  |  |  |  |  |  |     |     |     |     |     |     |  |  |  |  |  |   |   |   |   |   |   |   |   |   |   |   |   |    |   |        |   |   |   |   |   |   |   |   |   |    |   |        |   |   |   |   |   |   |   |   |   |    |   |        |   |   |   |   |   |   |   |   |   |    |      |       |   |   |   |   |   |   |   |       |   |    |      |       |   |   |   |   |   |   |   |       |   |    |      |       |   |   |   |   |   |   |   |       |   |    |      |       |   |   |   |   |   |   |   |       |   |    |      |       |   |   |   |   |   |   |   |       |   |    |      |       |   |   |   |   |   |   |   |       |   |    |      |       |   |   |   |   |   |   |   |       |   |    |      |       |       |   |   |   |   |   |   |       |   |    |      |       |       |   |   |   |   |   |   |       |   |    |      |       |       |   |   |   |   |   |   |       |   |    |      |       |       |   |   |   |   |   |   |       |   |    |      |       |       |   |   |   |   |   |   |       |   |    |      |       |       |   |   |   |   |   |   |       |   |    |      |       |       |   |   |   |   |   |   |       |   |    |      |       |       |   |   |   |   |   |   |       |   |     |      |      |       |       |   |   |   |   |   |       |   |     |      |      |       |       |   |   |   |   |   |       |   |     |   |      |       |       |   |   |   |   |   |       |   |     |   |      |       |       |   |   |   |   |   |       |   |     |   |   |       |       |   |   |   |   |   |       |   |     |   |   |      |       |   |   |   |   |   |       |   |     |   |   |      |       |   |   |   |   |   |       |   |     |   |   |      |       |   |   |   |   |   |       |   |     |   |   |   |       |       |   |   |   |   |       |   |     |   |   |   |       |       |   |   |   |   |       |   |     |   |   |   |      |       |   |   |   |   |      |   |     |   |   |   |      |      |   |   |   |   |      |   |     |   |   |   |   |      |   |   |   |   |      |   |     |   |   |   |   |      |   |   |   |   |      |   |     |   |   |   |   |      |   |   |   |   |      |   |     |   |   |   |   |      |   |   |   |   |      |   |     |   |   |   |   |   |      |      |   |   |   |   |     |   |   |   |   |   |      |      |   |   |   |   |     |   |   |   |   |   |      |      |   |   |   |   |     |   |   |   |   |   |   |      |   |   |   |   |     |   |   |   |   |   |   |      |   |   |   |   |     |   |   |   |   |   |   |      |   |   |   |   |
| 154   | -    | -       | -     | -      | -     | 41,7         | 39,4 | -    | - | -     | -    |      |  |  |  |  |  |  |  |  |  |  |      |     |  |  |  |  |  |  |  |  |  |  |  |             |  |  |  |  |  |  |  |  |  |  |  |  |     |     |     |     |     |     |  |  |  |  |  |   |   |   |   |   |   |   |   |   |   |   |   |    |   |        |   |   |   |   |   |   |   |   |   |    |   |        |   |   |   |   |   |   |   |   |   |    |   |        |   |   |   |   |   |   |   |   |   |    |      |       |   |   |   |   |   |   |   |       |   |    |      |       |   |   |   |   |   |   |   |       |   |    |      |       |   |   |   |   |   |   |   |       |   |    |      |       |   |   |   |   |   |   |   |       |   |    |      |       |   |   |   |   |   |   |   |       |   |    |      |       |   |   |   |   |   |   |   |       |   |    |      |       |   |   |   |   |   |   |   |       |   |    |      |       |       |   |   |   |   |   |   |       |   |    |      |       |       |   |   |   |   |   |   |       |   |    |      |       |       |   |   |   |   |   |   |       |   |    |      |       |       |   |   |   |   |   |   |       |   |    |      |       |       |   |   |   |   |   |   |       |   |    |      |       |       |   |   |   |   |   |   |       |   |    |      |       |       |   |   |   |   |   |   |       |   |    |      |       |       |   |   |   |   |   |   |       |   |     |      |      |       |       |   |   |   |   |   |       |   |     |      |      |       |       |   |   |   |   |   |       |   |     |   |      |       |       |   |   |   |   |   |       |   |     |   |      |       |       |   |   |   |   |   |       |   |     |   |   |       |       |   |   |   |   |   |       |   |     |   |   |      |       |   |   |   |   |   |       |   |     |   |   |      |       |   |   |   |   |   |       |   |     |   |   |      |       |   |   |   |   |   |       |   |     |   |   |   |       |       |   |   |   |   |       |   |     |   |   |   |       |       |   |   |   |   |       |   |     |   |   |   |      |       |   |   |   |   |      |   |     |   |   |   |      |      |   |   |   |   |      |   |     |   |   |   |   |      |   |   |   |   |      |   |     |   |   |   |   |      |   |   |   |   |      |   |     |   |   |   |   |      |   |   |   |   |      |   |     |   |   |   |   |      |   |   |   |   |      |   |     |   |   |   |   |   |      |      |   |   |   |   |     |   |   |   |   |   |      |      |   |   |   |   |     |   |   |   |   |   |      |      |   |   |   |   |     |   |   |   |   |   |   |      |   |   |   |   |     |   |   |   |   |   |   |      |   |   |   |   |     |   |   |   |   |   |   |      |   |   |   |   |
| 156   | -    | -       | -     | -      | -     | 40,8         | 36,4 | -    | - | -     | -    |      |  |  |  |  |  |  |  |  |  |  |      |     |  |  |  |  |  |  |  |  |  |  |  |             |  |  |  |  |  |  |  |  |  |  |  |  |     |     |     |     |     |     |  |  |  |  |  |   |   |   |   |   |   |   |   |   |   |   |   |    |   |        |   |   |   |   |   |   |   |   |   |    |   |        |   |   |   |   |   |   |   |   |   |    |   |        |   |   |   |   |   |   |   |   |   |    |      |       |   |   |   |   |   |   |   |       |   |    |      |       |   |   |   |   |   |   |   |       |   |    |      |       |   |   |   |   |   |   |   |       |   |    |      |       |   |   |   |   |   |   |   |       |   |    |      |       |   |   |   |   |   |   |   |       |   |    |      |       |   |   |   |   |   |   |   |       |   |    |      |       |   |   |   |   |   |   |   |       |   |    |      |       |       |   |   |   |   |   |   |       |   |    |      |       |       |   |   |   |   |   |   |       |   |    |      |       |       |   |   |   |   |   |   |       |   |    |      |       |       |   |   |   |   |   |   |       |   |    |      |       |       |   |   |   |   |   |   |       |   |    |      |       |       |   |   |   |   |   |   |       |   |    |      |       |       |   |   |   |   |   |   |       |   |    |      |       |       |   |   |   |   |   |   |       |   |     |      |      |       |       |   |   |   |   |   |       |   |     |      |      |       |       |   |   |   |   |   |       |   |     |   |      |       |       |   |   |   |   |   |       |   |     |   |      |       |       |   |   |   |   |   |       |   |     |   |   |       |       |   |   |   |   |   |       |   |     |   |   |      |       |   |   |   |   |   |       |   |     |   |   |      |       |   |   |   |   |   |       |   |     |   |   |      |       |   |   |   |   |   |       |   |     |   |   |   |       |       |   |   |   |   |       |   |     |   |   |   |       |       |   |   |   |   |       |   |     |   |   |   |      |       |   |   |   |   |      |   |     |   |   |   |      |      |   |   |   |   |      |   |     |   |   |   |   |      |   |   |   |   |      |   |     |   |   |   |   |      |   |   |   |   |      |   |     |   |   |   |   |      |   |   |   |   |      |   |     |   |   |   |   |      |   |   |   |   |      |   |     |   |   |   |   |   |      |      |   |   |   |   |     |   |   |   |   |   |      |      |   |   |   |   |     |   |   |   |   |   |      |      |   |   |   |   |     |   |   |   |   |   |   |      |   |   |   |   |     |   |   |   |   |   |   |      |   |   |   |   |     |   |   |   |   |   |   |      |   |   |   |   |
| 158   | -    | -       | -     | -      | -     | -            | 33,5 | -    | - | -     | -    |      |  |  |  |  |  |  |  |  |  |  |      |     |  |  |  |  |  |  |  |  |  |  |  |             |  |  |  |  |  |  |  |  |  |  |  |  |     |     |     |     |     |     |  |  |  |  |  |   |   |   |   |   |   |   |   |   |   |   |   |    |   |        |   |   |   |   |   |   |   |   |   |    |   |        |   |   |   |   |   |   |   |   |   |    |   |        |   |   |   |   |   |   |   |   |   |    |      |       |   |   |   |   |   |   |   |       |   |    |      |       |   |   |   |   |   |   |   |       |   |    |      |       |   |   |   |   |   |   |   |       |   |    |      |       |   |   |   |   |   |   |   |       |   |    |      |       |   |   |   |   |   |   |   |       |   |    |      |       |   |   |   |   |   |   |   |       |   |    |      |       |   |   |   |   |   |   |   |       |   |    |      |       |       |   |   |   |   |   |   |       |   |    |      |       |       |   |   |   |   |   |   |       |   |    |      |       |       |   |   |   |   |   |   |       |   |    |      |       |       |   |   |   |   |   |   |       |   |    |      |       |       |   |   |   |   |   |   |       |   |    |      |       |       |   |   |   |   |   |   |       |   |    |      |       |       |   |   |   |   |   |   |       |   |    |      |       |       |   |   |   |   |   |   |       |   |     |      |      |       |       |   |   |   |   |   |       |   |     |      |      |       |       |   |   |   |   |   |       |   |     |   |      |       |       |   |   |   |   |   |       |   |     |   |      |       |       |   |   |   |   |   |       |   |     |   |   |       |       |   |   |   |   |   |       |   |     |   |   |      |       |   |   |   |   |   |       |   |     |   |   |      |       |   |   |   |   |   |       |   |     |   |   |      |       |   |   |   |   |   |       |   |     |   |   |   |       |       |   |   |   |   |       |   |     |   |   |   |       |       |   |   |   |   |       |   |     |   |   |   |      |       |   |   |   |   |      |   |     |   |   |   |      |      |   |   |   |   |      |   |     |   |   |   |   |      |   |   |   |   |      |   |     |   |   |   |   |      |   |   |   |   |      |   |     |   |   |   |   |      |   |   |   |   |      |   |     |   |   |   |   |      |   |   |   |   |      |   |     |   |   |   |   |   |      |      |   |   |   |   |     |   |   |   |   |   |      |      |   |   |   |   |     |   |   |   |   |   |      |      |   |   |   |   |     |   |   |   |   |   |   |      |   |   |   |   |     |   |   |   |   |   |   |      |   |   |   |   |     |   |   |   |   |   |   |      |   |   |   |   |
| 162   | -    | -       | -     | -      | -     | -            | 26,2 | -    | - | -     | -    |      |  |  |  |  |  |  |  |  |  |  |      |     |  |  |  |  |  |  |  |  |  |  |  |             |  |  |  |  |  |  |  |  |  |  |  |  |     |     |     |     |     |     |  |  |  |  |  |   |   |   |   |   |   |   |   |   |   |   |   |    |   |        |   |   |   |   |   |   |   |   |   |    |   |        |   |   |   |   |   |   |   |   |   |    |   |        |   |   |   |   |   |   |   |   |   |    |      |       |   |   |   |   |   |   |   |       |   |    |      |       |   |   |   |   |   |   |   |       |   |    |      |       |   |   |   |   |   |   |   |       |   |    |      |       |   |   |   |   |   |   |   |       |   |    |      |       |   |   |   |   |   |   |   |       |   |    |      |       |   |   |   |   |   |   |   |       |   |    |      |       |   |   |   |   |   |   |   |       |   |    |      |       |       |   |   |   |   |   |   |       |   |    |      |       |       |   |   |   |   |   |   |       |   |    |      |       |       |   |   |   |   |   |   |       |   |    |      |       |       |   |   |   |   |   |   |       |   |    |      |       |       |   |   |   |   |   |   |       |   |    |      |       |       |   |   |   |   |   |   |       |   |    |      |       |       |   |   |   |   |   |   |       |   |    |      |       |       |   |   |   |   |   |   |       |   |     |      |      |       |       |   |   |   |   |   |       |   |     |      |      |       |       |   |   |   |   |   |       |   |     |   |      |       |       |   |   |   |   |   |       |   |     |   |      |       |       |   |   |   |   |   |       |   |     |   |   |       |       |   |   |   |   |   |       |   |     |   |   |      |       |   |   |   |   |   |       |   |     |   |   |      |       |   |   |   |   |   |       |   |     |   |   |      |       |   |   |   |   |   |       |   |     |   |   |   |       |       |   |   |   |   |       |   |     |   |   |   |       |       |   |   |   |   |       |   |     |   |   |   |      |       |   |   |   |   |      |   |     |   |   |   |      |      |   |   |   |   |      |   |     |   |   |   |   |      |   |   |   |   |      |   |     |   |   |   |   |      |   |   |   |   |      |   |     |   |   |   |   |      |   |   |   |   |      |   |     |   |   |   |   |      |   |   |   |   |      |   |     |   |   |   |   |   |      |      |   |   |   |   |     |   |   |   |   |   |      |      |   |   |   |   |     |   |   |   |   |   |      |      |   |   |   |   |     |   |   |   |   |   |   |      |   |   |   |   |     |   |   |   |   |   |   |      |   |   |   |   |     |   |   |   |   |   |   |      |   |   |   |   |
| 166   | -    | -       | -     | -      | -     | -            | 18,9 | -    | - | -     | -    |      |  |  |  |  |  |  |  |  |  |  |      |     |  |  |  |  |  |  |  |  |  |  |  |             |  |  |  |  |  |  |  |  |  |  |  |  |     |     |     |     |     |     |  |  |  |  |  |   |   |   |   |   |   |   |   |   |   |   |   |    |   |        |   |   |   |   |   |   |   |   |   |    |   |        |   |   |   |   |   |   |   |   |   |    |   |        |   |   |   |   |   |   |   |   |   |    |      |       |   |   |   |   |   |   |   |       |   |    |      |       |   |   |   |   |   |   |   |       |   |    |      |       |   |   |   |   |   |   |   |       |   |    |      |       |   |   |   |   |   |   |   |       |   |    |      |       |   |   |   |   |   |   |   |       |   |    |      |       |   |   |   |   |   |   |   |       |   |    |      |       |   |   |   |   |   |   |   |       |   |    |      |       |       |   |   |   |   |   |   |       |   |    |      |       |       |   |   |   |   |   |   |       |   |    |      |       |       |   |   |   |   |   |   |       |   |    |      |       |       |   |   |   |   |   |   |       |   |    |      |       |       |   |   |   |   |   |   |       |   |    |      |       |       |   |   |   |   |   |   |       |   |    |      |       |       |   |   |   |   |   |   |       |   |    |      |       |       |   |   |   |   |   |   |       |   |     |      |      |       |       |   |   |   |   |   |       |   |     |      |      |       |       |   |   |   |   |   |       |   |     |   |      |       |       |   |   |   |   |   |       |   |     |   |      |       |       |   |   |   |   |   |       |   |     |   |   |       |       |   |   |   |   |   |       |   |     |   |   |      |       |   |   |   |   |   |       |   |     |   |   |      |       |   |   |   |   |   |       |   |     |   |   |      |       |   |   |   |   |   |       |   |     |   |   |   |       |       |   |   |   |   |       |   |     |   |   |   |       |       |   |   |   |   |       |   |     |   |   |   |      |       |   |   |   |   |      |   |     |   |   |   |      |      |   |   |   |   |      |   |     |   |   |   |   |      |   |   |   |   |      |   |     |   |   |   |   |      |   |   |   |   |      |   |     |   |   |   |   |      |   |   |   |   |      |   |     |   |   |   |   |      |   |   |   |   |      |   |     |   |   |   |   |   |      |      |   |   |   |   |     |   |   |   |   |   |      |      |   |   |   |   |     |   |   |   |   |   |      |      |   |   |   |   |     |   |   |   |   |   |   |      |   |   |   |   |     |   |   |   |   |   |   |      |   |   |   |   |     |   |   |   |   |   |   |      |   |   |   |   |

6 m steps of luffing jib is standard · 6 m Stufung der Wippe ist Standard · Des paliers de 6 m sont de série pour la fléchette

Main boom angle 88°, 85°, 75°, 65°, 55° and 45°; capacities for intermediate boom positions are calculated by the crane control system IC-1  
 Hauptauslegerwinkel 88°, 85°, 75°, 65°, 55° und 45°; Traglasten für Zwischenstellungen des Hauptauslegers werden von der Kransteuerung IC-1 berechnet

Jarret de flèche principale 88°, 85°, 75°, 65°, 55° et 45° ; le système de commande de la grue IC-1 calcule les charges pour les positions intermédiaires de la flèche

\* Main boom angle 88° · Hauptauslegerwinkel 88° · Jarret de flèche principale 88°

| 295 t + 60 t ZB  |       | 19-30 m |       | 10,5 m |       | 9.8 m/s     |   | 360° |       | ISO   |             |      |  |  |  |  |  |  |  |  |  |  |      |     |  |  |  |  |  |  |  |  |  |  |             |                         |  |  |  |  |  |  |  |  |  |  |  |   |   |   |   |   |   |   |   |   |   |   |   |    |   |        |   |   |   |   |   |   |   |   |   |    |   |        |   |   |   |   |   |   |   |   |   |    |   |        |   |   |   |   |   |   |   |   |   |    |       |       |   |   |   |   |   |   |   |       |   |    |       |       |   |   |   |   |   |   |   |       |   |    |       |       |   |   |   |   |   |   |   |       |   |    |       |       |   |   |   |   |   |   |   |       |   |    |       |       |   |   |   |   |   |   |   |       |   |    |       |       |   |   |   |   |   |   |   |       |   |    |       |       |       |   |   |   |   |   |   |       |   |    |      |       |       |   |   |   |   |   |   |       |   |    |      |       |       |   |   |   |   |   |   |       |   |    |   |   |       |   |   |   |   |   |   |       |   |    |   |   |       |   |   |   |   |   |   |       |   |    |   |   |       |       |   |   |   |   |   |       |   |    |   |   |       |       |   |   |   |   |   |       |   |    |   |   |   |       |   |   |   |   |   |       |   |    |   |   |   |       |   |   |   |   |   |       |   |    |   |   |   |       |   |   |   |   |   |       |   |    |   |   |   |       |   |   |   |   |   |       |   |    |   |   |   |       |       |   |   |   |   |       |   |    |   |   |   |   |       |   |   |   |   |       |   |    |   |   |   |   |       |       |   |   |   |       |   |    |   |   |   |   |   |       |   |   |   |       |   |    |   |   |   |   |   |       |   |   |   |       |   |    |   |   |   |   |   |   |   |   |       |       |   |     |   |   |   |   |   |   |   |   |       |       |   |     |   |   |   |   |   |   |   |   |       |       |   |     |   |   |   |   |   |   |   |   |   |       |   |     |   |   |   |   |   |   |   |   |   |       |   |     |   |   |   |   |   |   |   |   |   |      |   |
|--|-------|---------|-------|--------|-------|-------------|---|------|-------|-------|-------------|------|--|--|--|--|--|--|--|--|--|--|------|-----|--|--|--|--|--|--|--|--|--|--|-------------|-------------------------|--|--|--|--|--|--|--|--|--|--|--|---|---|---|---|---|---|---|---|---|---|---|---|----|---|--------|---|---|---|---|---|---|---|---|---|----|---|--------|---|---|---|---|---|---|---|---|---|----|---|--------|---|---|---|---|---|---|---|---|---|----|-------|-------|---|---|---|---|---|---|---|-------|---|----|-------|-------|---|---|---|---|---|---|---|-------|---|----|-------|-------|---|---|---|---|---|---|---|-------|---|----|-------|-------|---|---|---|---|---|---|---|-------|---|----|-------|-------|---|---|---|---|---|---|---|-------|---|----|-------|-------|---|---|---|---|---|---|---|-------|---|----|-------|-------|-------|---|---|---|---|---|---|-------|---|----|------|-------|-------|---|---|---|---|---|---|-------|---|----|------|-------|-------|---|---|---|---|---|---|-------|---|----|---|---|-------|---|---|---|---|---|---|-------|---|----|---|---|-------|---|---|---|---|---|---|-------|---|----|---|---|-------|-------|---|---|---|---|---|-------|---|----|---|---|-------|-------|---|---|---|---|---|-------|---|----|---|---|---|-------|---|---|---|---|---|-------|---|----|---|---|---|-------|---|---|---|---|---|-------|---|----|---|---|---|-------|---|---|---|---|---|-------|---|----|---|---|---|-------|---|---|---|---|---|-------|---|----|---|---|---|-------|-------|---|---|---|---|-------|---|----|---|---|---|---|-------|---|---|---|---|-------|---|----|---|---|---|---|-------|-------|---|---|---|-------|---|----|---|---|---|---|---|-------|---|---|---|-------|---|----|---|---|---|---|---|-------|---|---|---|-------|---|----|---|---|---|---|---|---|---|---|-------|-------|---|-----|---|---|---|---|---|---|---|---|-------|-------|---|-----|---|---|---|---|---|---|---|---|-------|-------|---|-----|---|---|---|---|---|---|---|---|---|-------|---|-----|---|---|---|---|---|---|---|---|---|-------|---|-----|---|---|---|---|---|---|---|---|---|------|---|
| 78 m + 36 m  |       |         |       |        |       | 78 m + 48 m |   |      |       |       |             |      |  |  |  |  |  |  |  |  |  |  |      |     |  |  |  |  |  |  |  |  |  |  |             |                         |  |  |  |  |  |  |  |  |  |  |  |   |   |   |   |   |   |   |   |   |   |   |   |    |   |        |   |   |   |   |   |   |   |   |   |    |   |        |   |   |   |   |   |   |   |   |   |    |   |        |   |   |   |   |   |   |   |   |   |    |       |       |   |   |   |   |   |   |   |       |   |    |       |       |   |   |   |   |   |   |   |       |   |    |       |       |   |   |   |   |   |   |   |       |   |    |       |       |   |   |   |   |   |   |   |       |   |    |       |       |   |   |   |   |   |   |   |       |   |    |       |       |   |   |   |   |   |   |   |       |   |    |       |       |       |   |   |   |   |   |   |       |   |    |      |       |       |   |   |   |   |   |   |       |   |    |      |       |       |   |   |   |   |   |   |       |   |    |   |   |       |   |   |   |   |   |   |       |   |    |   |   |       |   |   |   |   |   |   |       |   |    |   |   |       |       |   |   |   |   |   |       |   |    |   |   |       |       |   |   |   |   |   |       |   |    |   |   |   |       |   |   |   |   |   |       |   |    |   |   |   |       |   |   |   |   |   |       |   |    |   |   |   |       |   |   |   |   |   |       |   |    |   |   |   |       |   |   |   |   |   |       |   |    |   |   |   |       |       |   |   |   |   |       |   |    |   |   |   |   |       |   |   |   |   |       |   |    |   |   |   |   |       |       |   |   |   |       |   |    |   |   |   |   |   |       |   |   |   |       |   |    |   |   |   |   |   |       |   |   |   |       |   |    |   |   |   |   |   |   |   |   |       |       |   |     |   |   |   |   |   |   |   |   |       |       |   |     |   |   |   |   |   |   |   |   |       |       |   |     |   |   |   |   |   |   |   |   |   |       |   |     |   |   |   |   |   |   |   |   |   |       |   |     |   |   |   |   |   |   |   |   |   |      |   |
| <table border="1"> <thead> <tr> <th colspan="11">SWSL</th> <th>SFSL</th> </tr> <tr> <th colspan="11">0 t</th> <th>0 t - 640 t</th> </tr> <tr> <th colspan="11">85° 85° 75° 65° 55° 45°</th> <th></th> </tr> <tr> <th>m</th> <th>t</th> <th>t</th> <th>t</th> <th>t</th> <th>t</th> <th>t</th> <th>t</th> <th>t</th> <th>t</th> <th>t</th> <th>t</th> </tr> </thead> <tbody> <tr><td>20</td><td>-</td><td>449,0*</td><td>-</td><td>-</td><td>-</td><td>-</td><td>-</td><td>-</td><td>-</td><td>-</td><td>-</td></tr> <tr><td>22</td><td>-</td><td>436,0*</td><td>-</td><td>-</td><td>-</td><td>-</td><td>-</td><td>-</td><td>-</td><td>-</td><td>-</td></tr> <tr><td>24</td><td>-</td><td>422,0*</td><td>-</td><td>-</td><td>-</td><td>-</td><td>-</td><td>-</td><td>-</td><td>-</td><td>-</td></tr> <tr><td>26</td><td>230,0</td><td>469,0</td><td>-</td><td>-</td><td>-</td><td>-</td><td>-</td><td>-</td><td>-</td><td>460,0</td><td>-</td></tr> <tr><td>28</td><td>214,0</td><td>459,0</td><td>-</td><td>-</td><td>-</td><td>-</td><td>-</td><td>-</td><td>-</td><td>460,0</td><td>-</td></tr> <tr><td>30</td><td>200,0</td><td>449,0</td><td>-</td><td>-</td><td>-</td><td>-</td><td>-</td><td>-</td><td>-</td><td>460,0</td><td>-</td></tr> <tr><td>34</td><td>175,0</td><td>429,0</td><td>-</td><td>-</td><td>-</td><td>-</td><td>-</td><td>-</td><td>-</td><td>460,0</td><td>-</td></tr> <tr><td>38</td><td>156,0</td><td>410,0</td><td>-</td><td>-</td><td>-</td><td>-</td><td>-</td><td>-</td><td>-</td><td>460,0</td><td>-</td></tr> <tr><td>42</td><td>138,0</td><td>353,0</td><td>-</td><td>-</td><td>-</td><td>-</td><td>-</td><td>-</td><td>-</td><td>451,0</td><td>-</td></tr> <tr><td>44</td><td>129,0</td><td>329,0</td><td>463,0</td><td>-</td><td>-</td><td>-</td><td>-</td><td>-</td><td>-</td><td>439,0</td><td>-</td></tr> <tr><td>46</td><td>-</td><td>-</td><td>463,0</td><td>-</td><td>-</td><td>-</td><td>-</td><td>-</td><td>-</td><td>427,0</td><td>-</td></tr> <tr><td>50</td><td>-</td><td>-</td><td>427,0</td><td>-</td><td>-</td><td>-</td><td>-</td><td>-</td><td>-</td><td>408,0</td><td>-</td></tr> <tr><td>54</td><td>-</td><td>-</td><td>373,0</td><td>-</td><td>-</td><td>-</td><td>-</td><td>-</td><td>-</td><td>372,0</td><td>-</td></tr> <tr><td>58</td><td>-</td><td>-</td><td>323,0</td><td>-</td><td>-</td><td>-</td><td>-</td><td>-</td><td>-</td><td>337,0</td><td>-</td></tr> <tr><td>61</td><td>-</td><td>-</td><td>-</td><td>316,0</td><td>-</td><td>-</td><td>-</td><td>-</td><td>-</td><td>314,5</td><td>-</td></tr> <tr><td>62</td><td>-</td><td>-</td><td>-</td><td>311,0</td><td>-</td><td>-</td><td>-</td><td>-</td><td>-</td><td>307,0</td><td>-</td></tr> <tr><td>66</td><td>-</td><td>-</td><td>-</td><td>289,0</td><td>-</td><td>-</td><td>-</td><td>-</td><td>-</td><td>280,0</td><td>-</td></tr> <tr><td>70</td><td>-</td><td>-</td><td>-</td><td>270,0</td><td>-</td><td>-</td><td>-</td><td>-</td><td>-</td><td>257,0</td><td>-</td></tr> <tr><td>71</td><td>-</td><td>-</td><td>-</td><td>266,0</td><td>-</td><td>-</td><td>-</td><td>-</td><td>-</td><td>251,7</td><td>-</td></tr> <tr><td>74</td><td>-</td><td>-</td><td>-</td><td>-</td><td>-</td><td>-</td><td>-</td><td>-</td><td>-</td><td>236,0</td><td>-</td></tr> <tr><td>77</td><td>-</td><td>-</td><td>-</td><td>-</td><td>224,0</td><td>-</td><td>-</td><td>-</td><td>-</td><td>222,5</td><td>-</td></tr> <tr><td>78</td><td>-</td><td>-</td><td>-</td><td>-</td><td>220,0</td><td>-</td><td>-</td><td>-</td><td>-</td><td>218,0</td><td>-</td></tr> <tr><td>82</td><td>-</td><td>-</td><td>-</td><td>-</td><td>208,0</td><td>-</td><td>-</td><td>-</td><td>-</td><td>201,0</td><td>-</td></tr> <tr><td>86</td><td>-</td><td>-</td><td>-</td><td>-</td><td>-</td><td>-</td><td>-</td><td>-</td><td>-</td><td>184,0</td><td>-</td></tr> <tr><td>90</td><td>-</td><td>-</td><td>-</td><td>-</td><td>-</td><td>-</td><td>-</td><td>-</td><td>-</td><td>164,0</td><td>-</td></tr> <tr><td>91</td><td>-</td><td>-</td><td>-</td><td>-</td><td>-</td><td>-</td><td>-</td><td>-</td><td>161,0</td><td>159,2</td><td>-</td></tr> <tr><td>93</td><td>-</td><td>-</td><td>-</td><td>-</td><td>-</td><td>-</td><td>-</td><td>-</td><td>156,0</td><td>149,7</td><td>-</td></tr> <tr><td>94</td><td>-</td><td>-</td><td>-</td><td>-</td><td>-</td><td>-</td><td>-</td><td>-</td><td>-</td><td>145,0</td><td>-</td></tr> <tr><td>98</td><td>-</td><td>-</td><td>-</td><td>-</td><td>-</td><td>-</td><td>-</td><td>-</td><td>-</td><td>127,0</td><td>-</td></tr> <tr><td>102</td><td>-</td><td>-</td><td>-</td><td>-</td><td>-</td><td>-</td><td>-</td><td>-</td><td>-</td><td>112,0</td><td>-</td></tr> </tbody> </table>  |       |         |       |        |       |             |   |      |       |       |             | SWSL |  |  |  |  |  |  |  |  |  |  | SFSL | 0 t |  |  |  |  |  |  |  |  |  |  | 0 t - 640 t | 85° 85° 75° 65° 55° 45° |  |  |  |  |  |  |  |  |  |  |  | m | t | t | t | t | t | t | t | t | t | t | t | 20 | - | 449,0* | - | - | - | - | - | - | - | - | - | 22 | - | 436,0* | - | - | - | - | - | - | - | - | - | 24 | - | 422,0* | - | - | - | - | - | - | - | - | - | 26 | 230,0 | 469,0 | - | - | - | - | - | - | - | 460,0 | - | 28 | 214,0 | 459,0 | - | - | - | - | - | - | - | 460,0 | - | 30 | 200,0 | 449,0 | - | - | - | - | - | - | - | 460,0 | - | 34 | 175,0 | 429,0 | - | - | - | - | - | - | - | 460,0 | - | 38 | 156,0 | 410,0 | - | - | - | - | - | - | - | 460,0 | - | 42 | 138,0 | 353,0 | - | - | - | - | - | - | - | 451,0 | - | 44 | 129,0 | 329,0 | 463,0 | - | - | - | - | - | - | 439,0 | - | 46 | -    | -     | 463,0 | - | - | - | - | - | - | 427,0 | - | 50 | -    | -     | 427,0 | - | - | - | - | - | - | 408,0 | - | 54 | - | - | 373,0 | - | - | - | - | - | - | 372,0 | - | 58 | - | - | 323,0 | - | - | - | - | - | - | 337,0 | - | 61 | - | - | -     | 316,0 | - | - | - | - | - | 314,5 | - | 62 | - | - | -     | 311,0 | - | - | - | - | - | 307,0 | - | 66 | - | - | - | 289,0 | - | - | - | - | - | 280,0 | - | 70 | - | - | - | 270,0 | - | - | - | - | - | 257,0 | - | 71 | - | - | - | 266,0 | - | - | - | - | - | 251,7 | - | 74 | - | - | - | -     | - | - | - | - | - | 236,0 | - | 77 | - | - | - | -     | 224,0 | - | - | - | - | 222,5 | - | 78 | - | - | - | - | 220,0 | - | - | - | - | 218,0 | - | 82 | - | - | - | - | 208,0 | -     | - | - | - | 201,0 | - | 86 | - | - | - | - | - | -     | - | - | - | 184,0 | - | 90 | - | - | - | - | - | -     | - | - | - | 164,0 | - | 91 | - | - | - | - | - | - | - | - | 161,0 | 159,2 | - | 93  | - | - | - | - | - | - | - | - | 156,0 | 149,7 | - | 94  | - | - | - | - | - | - | - | - | -     | 145,0 | - | 98  | - | - | - | - | - | - | - | - | - | 127,0 | - | 102 | - | - | - | - | - | - | - | - | - | 112,0 | - |     |   |   |   |   |   |   |   |   |   |      |   |
| SWSL   |       |         |       |        |       |             |   |      |       |       | SFSL        |      |  |  |  |  |  |  |  |  |  |  |      |     |  |  |  |  |  |  |  |  |  |  |             |                         |  |  |  |  |  |  |  |  |  |  |  |   |   |   |   |   |   |   |   |   |   |   |   |    |   |        |   |   |   |   |   |   |   |   |   |    |   |        |   |   |   |   |   |   |   |   |   |    |   |        |   |   |   |   |   |   |   |   |   |    |       |       |   |   |   |   |   |   |   |       |   |    |       |       |   |   |   |   |   |   |   |       |   |    |       |       |   |   |   |   |   |   |   |       |   |    |       |       |   |   |   |   |   |   |   |       |   |    |       |       |   |   |   |   |   |   |   |       |   |    |       |       |   |   |   |   |   |   |   |       |   |    |       |       |       |   |   |   |   |   |   |       |   |    |      |       |       |   |   |   |   |   |   |       |   |    |      |       |       |   |   |   |   |   |   |       |   |    |   |   |       |   |   |   |   |   |   |       |   |    |   |   |       |   |   |   |   |   |   |       |   |    |   |   |       |       |   |   |   |   |   |       |   |    |   |   |       |       |   |   |   |   |   |       |   |    |   |   |   |       |   |   |   |   |   |       |   |    |   |   |   |       |   |   |   |   |   |       |   |    |   |   |   |       |   |   |   |   |   |       |   |    |   |   |   |       |   |   |   |   |   |       |   |    |   |   |   |       |       |   |   |   |   |       |   |    |   |   |   |   |       |   |   |   |   |       |   |    |   |   |   |   |       |       |   |   |   |       |   |    |   |   |   |   |   |       |   |   |   |       |   |    |   |   |   |   |   |       |   |   |   |       |   |    |   |   |   |   |   |   |   |   |       |       |   |     |   |   |   |   |   |   |   |   |       |       |   |     |   |   |   |   |   |   |   |   |       |       |   |     |   |   |   |   |   |   |   |   |   |       |   |     |   |   |   |   |   |   |   |   |   |       |   |     |   |   |   |   |   |   |   |   |   |      |   |
| 0 t  |       |         |       |        |       |             |   |      |       |       | 0 t - 640 t |      |  |  |  |  |  |  |  |  |  |  |      |     |  |  |  |  |  |  |  |  |  |  |             |                         |  |  |  |  |  |  |  |  |  |  |  |   |   |   |   |   |   |   |   |   |   |   |   |    |   |        |   |   |   |   |   |   |   |   |   |    |   |        |   |   |   |   |   |   |   |   |   |    |   |        |   |   |   |   |   |   |   |   |   |    |       |       |   |   |   |   |   |   |   |       |   |    |       |       |   |   |   |   |   |   |   |       |   |    |       |       |   |   |   |   |   |   |   |       |   |    |       |       |   |   |   |   |   |   |   |       |   |    |       |       |   |   |   |   |   |   |   |       |   |    |       |       |   |   |   |   |   |   |   |       |   |    |       |       |       |   |   |   |   |   |   |       |   |    |      |       |       |   |   |   |   |   |   |       |   |    |      |       |       |   |   |   |   |   |   |       |   |    |   |   |       |   |   |   |   |   |   |       |   |    |   |   |       |   |   |   |   |   |   |       |   |    |   |   |       |       |   |   |   |   |   |       |   |    |   |   |       |       |   |   |   |   |   |       |   |    |   |   |   |       |   |   |   |   |   |       |   |    |   |   |   |       |   |   |   |   |   |       |   |    |   |   |   |       |   |   |   |   |   |       |   |    |   |   |   |       |   |   |   |   |   |       |   |    |   |   |   |       |       |   |   |   |   |       |   |    |   |   |   |   |       |   |   |   |   |       |   |    |   |   |   |   |       |       |   |   |   |       |   |    |   |   |   |   |   |       |   |   |   |       |   |    |   |   |   |   |   |       |   |   |   |       |   |    |   |   |   |   |   |   |   |   |       |       |   |     |   |   |   |   |   |   |   |   |       |       |   |     |   |   |   |   |   |   |   |   |       |       |   |     |   |   |   |   |   |   |   |   |   |       |   |     |   |   |   |   |   |   |   |   |   |       |   |     |   |   |   |   |   |   |   |   |   |      |   |
| 85° 85° 75° 65° 55° 45°  |       |         |       |        |       |             |   |      |       |       |             |      |  |  |  |  |  |  |  |  |  |  |      |     |  |  |  |  |  |  |  |  |  |  |             |                         |  |  |  |  |  |  |  |  |  |  |  |   |   |   |   |   |   |   |   |   |   |   |   |    |   |        |   |   |   |   |   |   |   |   |   |    |   |        |   |   |   |   |   |   |   |   |   |    |   |        |   |   |   |   |   |   |   |   |   |    |       |       |   |   |   |   |   |   |   |       |   |    |       |       |   |   |   |   |   |   |   |       |   |    |       |       |   |   |   |   |   |   |   |       |   |    |       |       |   |   |   |   |   |   |   |       |   |    |       |       |   |   |   |   |   |   |   |       |   |    |       |       |   |   |   |   |   |   |   |       |   |    |       |       |       |   |   |   |   |   |   |       |   |    |      |       |       |   |   |   |   |   |   |       |   |    |      |       |       |   |   |   |   |   |   |       |   |    |   |   |       |   |   |   |   |   |   |       |   |    |   |   |       |   |   |   |   |   |   |       |   |    |   |   |       |       |   |   |   |   |   |       |   |    |   |   |       |       |   |   |   |   |   |       |   |    |   |   |   |       |   |   |   |   |   |       |   |    |   |   |   |       |   |   |   |   |   |       |   |    |   |   |   |       |   |   |   |   |   |       |   |    |   |   |   |       |   |   |   |   |   |       |   |    |   |   |   |       |       |   |   |   |   |       |   |    |   |   |   |   |       |   |   |   |   |       |   |    |   |   |   |   |       |       |   |   |   |       |   |    |   |   |   |   |   |       |   |   |   |       |   |    |   |   |   |   |   |       |   |   |   |       |   |    |   |   |   |   |   |   |   |   |       |       |   |     |   |   |   |   |   |   |   |   |       |       |   |     |   |   |   |   |   |   |   |   |       |       |   |     |   |   |   |   |   |   |   |   |   |       |   |     |   |   |   |   |   |   |   |   |   |       |   |     |   |   |   |   |   |   |   |   |   |      |   |
| m  | t     | t       | t     | t      | t     | t           | t | t    | t     | t     | t           |      |  |  |  |  |  |  |  |  |  |  |      |     |  |  |  |  |  |  |  |  |  |  |             |                         |  |  |  |  |  |  |  |  |  |  |  |   |   |   |   |   |   |   |   |   |   |   |   |    |   |        |   |   |   |   |   |   |   |   |   |    |   |        |   |   |   |   |   |   |   |   |   |    |   |        |   |   |   |   |   |   |   |   |   |    |       |       |   |   |   |   |   |   |   |       |   |    |       |       |   |   |   |   |   |   |   |       |   |    |       |       |   |   |   |   |   |   |   |       |   |    |       |       |   |   |   |   |   |   |   |       |   |    |       |       |   |   |   |   |   |   |   |       |   |    |       |       |   |   |   |   |   |   |   |       |   |    |       |       |       |   |   |   |   |   |   |       |   |    |      |       |       |   |   |   |   |   |   |       |   |    |      |       |       |   |   |   |   |   |   |       |   |    |   |   |       |   |   |   |   |   |   |       |   |    |   |   |       |   |   |   |   |   |   |       |   |    |   |   |       |       |   |   |   |   |   |       |   |    |   |   |       |       |   |   |   |   |   |       |   |    |   |   |   |       |   |   |   |   |   |       |   |    |   |   |   |       |   |   |   |   |   |       |   |    |   |   |   |       |   |   |   |   |   |       |   |    |   |   |   |       |   |   |   |   |   |       |   |    |   |   |   |       |       |   |   |   |   |       |   |    |   |   |   |   |       |   |   |   |   |       |   |    |   |   |   |   |       |       |   |   |   |       |   |    |   |   |   |   |   |       |   |   |   |       |   |    |   |   |   |   |   |       |   |   |   |       |   |    |   |   |   |   |   |   |   |   |       |       |   |     |   |   |   |   |   |   |   |   |       |       |   |     |   |   |   |   |   |   |   |   |       |       |   |     |   |   |   |   |   |   |   |   |   |       |   |     |   |   |   |   |   |   |   |   |   |       |   |     |   |   |   |   |   |   |   |   |   |      |   |
| 20   | -     | 449,0*  | -     | -      | -     | -           | - | -    | -     | -     | -           |      |  |  |  |  |  |  |  |  |  |  |      |     |  |  |  |  |  |  |  |  |  |  |             |                         |  |  |  |  |  |  |  |  |  |  |  |   |   |   |   |   |   |   |   |   |   |   |   |    |   |        |   |   |   |   |   |   |   |   |   |    |   |        |   |   |   |   |   |   |   |   |   |    |   |        |   |   |   |   |   |   |   |   |   |    |       |       |   |   |   |   |   |   |   |       |   |    |       |       |   |   |   |   |   |   |   |       |   |    |       |       |   |   |   |   |   |   |   |       |   |    |       |       |   |   |   |   |   |   |   |       |   |    |       |       |   |   |   |   |   |   |   |       |   |    |       |       |   |   |   |   |   |   |   |       |   |    |       |       |       |   |   |   |   |   |   |       |   |    |      |       |       |   |   |   |   |   |   |       |   |    |      |       |       |   |   |   |   |   |   |       |   |    |   |   |       |   |   |   |   |   |   |       |   |    |   |   |       |   |   |   |   |   |   |       |   |    |   |   |       |       |   |   |   |   |   |       |   |    |   |   |       |       |   |   |   |   |   |       |   |    |   |   |   |       |   |   |   |   |   |       |   |    |   |   |   |       |   |   |   |   |   |       |   |    |   |   |   |       |   |   |   |   |   |       |   |    |   |   |   |       |   |   |   |   |   |       |   |    |   |   |   |       |       |   |   |   |   |       |   |    |   |   |   |   |       |   |   |   |   |       |   |    |   |   |   |   |       |       |   |   |   |       |   |    |   |   |   |   |   |       |   |   |   |       |   |    |   |   |   |   |   |       |   |   |   |       |   |    |   |   |   |   |   |   |   |   |       |       |   |     |   |   |   |   |   |   |   |   |       |       |   |     |   |   |   |   |   |   |   |   |       |       |   |     |   |   |   |   |   |   |   |   |   |       |   |     |   |   |   |   |   |   |   |   |   |       |   |     |   |   |   |   |   |   |   |   |   |      |   |
| 22   | -     | 436,0*  | -     | -      | -     | -           | - | -    | -     | -     | -           |      |  |  |  |  |  |  |  |  |  |  |      |     |  |  |  |  |  |  |  |  |  |  |             |                         |  |  |  |  |  |  |  |  |  |  |  |   |   |   |   |   |   |   |   |   |   |   |   |    |   |        |   |   |   |   |   |   |   |   |   |    |   |        |   |   |   |   |   |   |   |   |   |    |   |        |   |   |   |   |   |   |   |   |   |    |       |       |   |   |   |   |   |   |   |       |   |    |       |       |   |   |   |   |   |   |   |       |   |    |       |       |   |   |   |   |   |   |   |       |   |    |       |       |   |   |   |   |   |   |   |       |   |    |       |       |   |   |   |   |   |   |   |       |   |    |       |       |   |   |   |   |   |   |   |       |   |    |       |       |       |   |   |   |   |   |   |       |   |    |      |       |       |   |   |   |   |   |   |       |   |    |      |       |       |   |   |   |   |   |   |       |   |    |   |   |       |   |   |   |   |   |   |       |   |    |   |   |       |   |   |   |   |   |   |       |   |    |   |   |       |       |   |   |   |   |   |       |   |    |   |   |       |       |   |   |   |   |   |       |   |    |   |   |   |       |   |   |   |   |   |       |   |    |   |   |   |       |   |   |   |   |   |       |   |    |   |   |   |       |   |   |   |   |   |       |   |    |   |   |   |       |   |   |   |   |   |       |   |    |   |   |   |       |       |   |   |   |   |       |   |    |   |   |   |   |       |   |   |   |   |       |   |    |   |   |   |   |       |       |   |   |   |       |   |    |   |   |   |   |   |       |   |   |   |       |   |    |   |   |   |   |   |       |   |   |   |       |   |    |   |   |   |   |   |   |   |   |       |       |   |     |   |   |   |   |   |   |   |   |       |       |   |     |   |   |   |   |   |   |   |   |       |       |   |     |   |   |   |   |   |   |   |   |   |       |   |     |   |   |   |   |   |   |   |   |   |       |   |     |   |   |   |   |   |   |   |   |   |      |   |
| 24   | -     | 422,0*  | -     | -      | -     | -           | - | -    | -     | -     | -           |      |  |  |  |  |  |  |  |  |  |  |      |     |  |  |  |  |  |  |  |  |  |  |             |                         |  |  |  |  |  |  |  |  |  |  |  |   |   |   |   |   |   |   |   |   |   |   |   |    |   |        |   |   |   |   |   |   |   |   |   |    |   |        |   |   |   |   |   |   |   |   |   |    |   |        |   |   |   |   |   |   |   |   |   |    |       |       |   |   |   |   |   |   |   |       |   |    |       |       |   |   |   |   |   |   |   |       |   |    |       |       |   |   |   |   |   |   |   |       |   |    |       |       |   |   |   |   |   |   |   |       |   |    |       |       |   |   |   |   |   |   |   |       |   |    |       |       |   |   |   |   |   |   |   |       |   |    |       |       |       |   |   |   |   |   |   |       |   |    |      |       |       |   |   |   |   |   |   |       |   |    |      |       |       |   |   |   |   |   |   |       |   |    |   |   |       |   |   |   |   |   |   |       |   |    |   |   |       |   |   |   |   |   |   |       |   |    |   |   |       |       |   |   |   |   |   |       |   |    |   |   |       |       |   |   |   |   |   |       |   |    |   |   |   |       |   |   |   |   |   |       |   |    |   |   |   |       |   |   |   |   |   |       |   |    |   |   |   |       |   |   |   |   |   |       |   |    |   |   |   |       |   |   |   |   |   |       |   |    |   |   |   |       |       |   |   |   |   |       |   |    |   |   |   |   |       |   |   |   |   |       |   |    |   |   |   |   |       |       |   |   |   |       |   |    |   |   |   |   |   |       |   |   |   |       |   |    |   |   |   |   |   |       |   |   |   |       |   |    |   |   |   |   |   |   |   |   |       |       |   |     |   |   |   |   |   |   |   |   |       |       |   |     |   |   |   |   |   |   |   |   |       |       |   |     |   |   |   |   |   |   |   |   |   |       |   |     |   |   |   |   |   |   |   |   |   |       |   |     |   |   |   |   |   |   |   |   |   |      |   |
| 26   | 230,0 | 469,0   | -     | -      | -     | -           | - | -    | -     | 460,0 | -           |      |  |  |  |  |  |  |  |  |  |  |      |     |  |  |  |  |  |  |  |  |  |  |             |                         |  |  |  |  |  |  |  |  |  |  |  |   |   |   |   |   |   |   |   |   |   |   |   |    |   |        |   |   |   |   |   |   |   |   |   |    |   |        |   |   |   |   |   |   |   |   |   |    |   |        |   |   |   |   |   |   |   |   |   |    |       |       |   |   |   |   |   |   |   |       |   |    |       |       |   |   |   |   |   |   |   |       |   |    |       |       |   |   |   |   |   |   |   |       |   |    |       |       |   |   |   |   |   |   |   |       |   |    |       |       |   |   |   |   |   |   |   |       |   |    |       |       |   |   |   |   |   |   |   |       |   |    |       |       |       |   |   |   |   |   |   |       |   |    |      |       |       |   |   |   |   |   |   |       |   |    |      |       |       |   |   |   |   |   |   |       |   |    |   |   |       |   |   |   |   |   |   |       |   |    |   |   |       |   |   |   |   |   |   |       |   |    |   |   |       |       |   |   |   |   |   |       |   |    |   |   |       |       |   |   |   |   |   |       |   |    |   |   |   |       |   |   |   |   |   |       |   |    |   |   |   |       |   |   |   |   |   |       |   |    |   |   |   |       |   |   |   |   |   |       |   |    |   |   |   |       |   |   |   |   |   |       |   |    |   |   |   |       |       |   |   |   |   |       |   |    |   |   |   |   |       |   |   |   |   |       |   |    |   |   |   |   |       |       |   |   |   |       |   |    |   |   |   |   |   |       |   |   |   |       |   |    |   |   |   |   |   |       |   |   |   |       |   |    |   |   |   |   |   |   |   |   |       |       |   |     |   |   |   |   |   |   |   |   |       |       |   |     |   |   |   |   |   |   |   |   |       |       |   |     |   |   |   |   |   |   |   |   |   |       |   |     |   |   |   |   |   |   |   |   |   |       |   |     |   |   |   |   |   |   |   |   |   |      |   |
| 28   | 214,0 | 459,0   | -     | -      | -     | -           | - | -    | -     | 460,0 | -           |      |  |  |  |  |  |  |  |  |  |  |      |     |  |  |  |  |  |  |  |  |  |  |             |                         |  |  |  |  |  |  |  |  |  |  |  |   |   |   |   |   |   |   |   |   |   |   |   |    |   |        |   |   |   |   |   |   |   |   |   |    |   |        |   |   |   |   |   |   |   |   |   |    |   |        |   |   |   |   |   |   |   |   |   |    |       |       |   |   |   |   |   |   |   |       |   |    |       |       |   |   |   |   |   |   |   |       |   |    |       |       |   |   |   |   |   |   |   |       |   |    |       |       |   |   |   |   |   |   |   |       |   |    |       |       |   |   |   |   |   |   |   |       |   |    |       |       |   |   |   |   |   |   |   |       |   |    |       |       |       |   |   |   |   |   |   |       |   |    |      |       |       |   |   |   |   |   |   |       |   |    |      |       |       |   |   |   |   |   |   |       |   |    |   |   |       |   |   |   |   |   |   |       |   |    |   |   |       |   |   |   |   |   |   |       |   |    |   |   |       |       |   |   |   |   |   |       |   |    |   |   |       |       |   |   |   |   |   |       |   |    |   |   |   |       |   |   |   |   |   |       |   |    |   |   |   |       |   |   |   |   |   |       |   |    |   |   |   |       |   |   |   |   |   |       |   |    |   |   |   |       |   |   |   |   |   |       |   |    |   |   |   |       |       |   |   |   |   |       |   |    |   |   |   |   |       |   |   |   |   |       |   |    |   |   |   |   |       |       |   |   |   |       |   |    |   |   |   |   |   |       |   |   |   |       |   |    |   |   |   |   |   |       |   |   |   |       |   |    |   |   |   |   |   |   |   |   |       |       |   |     |   |   |   |   |   |   |   |   |       |       |   |     |   |   |   |   |   |   |   |   |       |       |   |     |   |   |   |   |   |   |   |   |   |       |   |     |   |   |   |   |   |   |   |   |   |       |   |     |   |   |   |   |   |   |   |   |   |      |   |
| 30   | 200,0 | 449,0   | -     | -      | -     | -           | - | -    | -     | 460,0 | -           |      |  |  |  |  |  |  |  |  |  |  |      |     |  |  |  |  |  |  |  |  |  |  |             |                         |  |  |  |  |  |  |  |  |  |  |  |   |   |   |   |   |   |   |   |   |   |   |   |    |   |        |   |   |   |   |   |   |   |   |   |    |   |        |   |   |   |   |   |   |   |   |   |    |   |        |   |   |   |   |   |   |   |   |   |    |       |       |   |   |   |   |   |   |   |       |   |    |       |       |   |   |   |   |   |   |   |       |   |    |       |       |   |   |   |   |   |   |   |       |   |    |       |       |   |   |   |   |   |   |   |       |   |    |       |       |   |   |   |   |   |   |   |       |   |    |       |       |   |   |   |   |   |   |   |       |   |    |       |       |       |   |   |   |   |   |   |       |   |    |      |       |       |   |   |   |   |   |   |       |   |    |      |       |       |   |   |   |   |   |   |       |   |    |   |   |       |   |   |   |   |   |   |       |   |    |   |   |       |   |   |   |   |   |   |       |   |    |   |   |       |       |   |   |   |   |   |       |   |    |   |   |       |       |   |   |   |   |   |       |   |    |   |   |   |       |   |   |   |   |   |       |   |    |   |   |   |       |   |   |   |   |   |       |   |    |   |   |   |       |   |   |   |   |   |       |   |    |   |   |   |       |   |   |   |   |   |       |   |    |   |   |   |       |       |   |   |   |   |       |   |    |   |   |   |   |       |   |   |   |   |       |   |    |   |   |   |   |       |       |   |   |   |       |   |    |   |   |   |   |   |       |   |   |   |       |   |    |   |   |   |   |   |       |   |   |   |       |   |    |   |   |   |   |   |   |   |   |       |       |   |     |   |   |   |   |   |   |   |   |       |       |   |     |   |   |   |   |   |   |   |   |       |       |   |     |   |   |   |   |   |   |   |   |   |       |   |     |   |   |   |   |   |   |   |   |   |       |   |     |   |   |   |   |   |   |   |   |   |      |   |
| 34   | 175,0 | 429,0   | -     | -      | -     | -           | - | -    | -     | 460,0 | -           |      |  |  |  |  |  |  |  |  |  |  |      |     |  |  |  |  |  |  |  |  |  |  |             |                         |  |  |  |  |  |  |  |  |  |  |  |   |   |   |   |   |   |   |   |   |   |   |   |    |   |        |   |   |   |   |   |   |   |   |   |    |   |        |   |   |   |   |   |   |   |   |   |    |   |        |   |   |   |   |   |   |   |   |   |    |       |       |   |   |   |   |   |   |   |       |   |    |       |       |   |   |   |   |   |   |   |       |   |    |       |       |   |   |   |   |   |   |   |       |   |    |       |       |   |   |   |   |   |   |   |       |   |    |       |       |   |   |   |   |   |   |   |       |   |    |       |       |   |   |   |   |   |   |   |       |   |    |       |       |       |   |   |   |   |   |   |       |   |    |      |       |       |   |   |   |   |   |   |       |   |    |      |       |       |   |   |   |   |   |   |       |   |    |   |   |       |   |   |   |   |   |   |       |   |    |   |   |       |   |   |   |   |   |   |       |   |    |   |   |       |       |   |   |   |   |   |       |   |    |   |   |       |       |   |   |   |   |   |       |   |    |   |   |   |       |   |   |   |   |   |       |   |    |   |   |   |       |   |   |   |   |   |       |   |    |   |   |   |       |   |   |   |   |   |       |   |    |   |   |   |       |   |   |   |   |   |       |   |    |   |   |   |       |       |   |   |   |   |       |   |    |   |   |   |   |       |   |   |   |   |       |   |    |   |   |   |   |       |       |   |   |   |       |   |    |   |   |   |   |   |       |   |   |   |       |   |    |   |   |   |   |   |       |   |   |   |       |   |    |   |   |   |   |   |   |   |   |       |       |   |     |   |   |   |   |   |   |   |   |       |       |   |     |   |   |   |   |   |   |   |   |       |       |   |     |   |   |   |   |   |   |   |   |   |       |   |     |   |   |   |   |   |   |   |   |   |       |   |     |   |   |   |   |   |   |   |   |   |      |   |
| 38   | 156,0 | 410,0   | -     | -      | -     | -           | - | -    | -     | 460,0 | -           |      |  |  |  |  |  |  |  |  |  |  |      |     |  |  |  |  |  |  |  |  |  |  |             |                         |  |  |  |  |  |  |  |  |  |  |  |   |   |   |   |   |   |   |   |   |   |   |   |    |   |        |   |   |   |   |   |   |   |   |   |    |   |        |   |   |   |   |   |   |   |   |   |    |   |        |   |   |   |   |   |   |   |   |   |    |       |       |   |   |   |   |   |   |   |       |   |    |       |       |   |   |   |   |   |   |   |       |   |    |       |       |   |   |   |   |   |   |   |       |   |    |       |       |   |   |   |   |   |   |   |       |   |    |       |       |   |   |   |   |   |   |   |       |   |    |       |       |   |   |   |   |   |   |   |       |   |    |       |       |       |   |   |   |   |   |   |       |   |    |      |       |       |   |   |   |   |   |   |       |   |    |      |       |       |   |   |   |   |   |   |       |   |    |   |   |       |   |   |   |   |   |   |       |   |    |   |   |       |   |   |   |   |   |   |       |   |    |   |   |       |       |   |   |   |   |   |       |   |    |   |   |       |       |   |   |   |   |   |       |   |    |   |   |   |       |   |   |   |   |   |       |   |    |   |   |   |       |   |   |   |   |   |       |   |    |   |   |   |       |   |   |   |   |   |       |   |    |   |   |   |       |   |   |   |   |   |       |   |    |   |   |   |       |       |   |   |   |   |       |   |    |   |   |   |   |       |   |   |   |   |       |   |    |   |   |   |   |       |       |   |   |   |       |   |    |   |   |   |   |   |       |   |   |   |       |   |    |   |   |   |   |   |       |   |   |   |       |   |    |   |   |   |   |   |   |   |   |       |       |   |     |   |   |   |   |   |   |   |   |       |       |   |     |   |   |   |   |   |   |   |   |       |       |   |     |   |   |   |   |   |   |   |   |   |       |   |     |   |   |   |   |   |   |   |   |   |       |   |     |   |   |   |   |   |   |   |   |   |      |   |
| 42   | 138,0 | 353,0   | -     | -      | -     | -           | - | -    | -     | 451,0 | -           |      |  |  |  |  |  |  |  |  |  |  |      |     |  |  |  |  |  |  |  |  |  |  |             |                         |  |  |  |  |  |  |  |  |  |  |  |   |   |   |   |   |   |   |   |   |   |   |   |    |   |        |   |   |   |   |   |   |   |   |   |    |   |        |   |   |   |   |   |   |   |   |   |    |   |        |   |   |   |   |   |   |   |   |   |    |       |       |   |   |   |   |   |   |   |       |   |    |       |       |   |   |   |   |   |   |   |       |   |    |       |       |   |   |   |   |   |   |   |       |   |    |       |       |   |   |   |   |   |   |   |       |   |    |       |       |   |   |   |   |   |   |   |       |   |    |       |       |   |   |   |   |   |   |   |       |   |    |       |       |       |   |   |   |   |   |   |       |   |    |      |       |       |   |   |   |   |   |   |       |   |    |      |       |       |   |   |   |   |   |   |       |   |    |   |   |       |   |   |   |   |   |   |       |   |    |   |   |       |   |   |   |   |   |   |       |   |    |   |   |       |       |   |   |   |   |   |       |   |    |   |   |       |       |   |   |   |   |   |       |   |    |   |   |   |       |   |   |   |   |   |       |   |    |   |   |   |       |   |   |   |   |   |       |   |    |   |   |   |       |   |   |   |   |   |       |   |    |   |   |   |       |   |   |   |   |   |       |   |    |   |   |   |       |       |   |   |   |   |       |   |    |   |   |   |   |       |   |   |   |   |       |   |    |   |   |   |   |       |       |   |   |   |       |   |    |   |   |   |   |   |       |   |   |   |       |   |    |   |   |   |   |   |       |   |   |   |       |   |    |   |   |   |   |   |   |   |   |       |       |   |     |   |   |   |   |   |   |   |   |       |       |   |     |   |   |   |   |   |   |   |   |       |       |   |     |   |   |   |   |   |   |   |   |   |       |   |     |   |   |   |   |   |   |   |   |   |       |   |     |   |   |   |   |   |   |   |   |   |      |   |
| 44   | 129,0 | 329,0   | 463,0 | -      | -     | -           | - | -    | -     | 439,0 | -           |      |  |  |  |  |  |  |  |  |  |  |      |     |  |  |  |  |  |  |  |  |  |  |             |                         |  |  |  |  |  |  |  |  |  |  |  |   |   |   |   |   |   |   |   |   |   |   |   |    |   |        |   |   |   |   |   |   |   |   |   |    |   |        |   |   |   |   |   |   |   |   |   |    |   |        |   |   |   |   |   |   |   |   |   |    |       |       |   |   |   |   |   |   |   |       |   |    |       |       |   |   |   |   |   |   |   |       |   |    |       |       |   |   |   |   |   |   |   |       |   |    |       |       |   |   |   |   |   |   |   |       |   |    |       |       |   |   |   |   |   |   |   |       |   |    |       |       |   |   |   |   |   |   |   |       |   |    |       |       |       |   |   |   |   |   |   |       |   |    |      |       |       |   |   |   |   |   |   |       |   |    |      |       |       |   |   |   |   |   |   |       |   |    |   |   |       |   |   |   |   |   |   |       |   |    |   |   |       |   |   |   |   |   |   |       |   |    |   |   |       |       |   |   |   |   |   |       |   |    |   |   |       |       |   |   |   |   |   |       |   |    |   |   |   |       |   |   |   |   |   |       |   |    |   |   |   |       |   |   |   |   |   |       |   |    |   |   |   |       |   |   |   |   |   |       |   |    |   |   |   |       |   |   |   |   |   |       |   |    |   |   |   |       |       |   |   |   |   |       |   |    |   |   |   |   |       |   |   |   |   |       |   |    |   |   |   |   |       |       |   |   |   |       |   |    |   |   |   |   |   |       |   |   |   |       |   |    |   |   |   |   |   |       |   |   |   |       |   |    |   |   |   |   |   |   |   |   |       |       |   |     |   |   |   |   |   |   |   |   |       |       |   |     |   |   |   |   |   |   |   |   |       |       |   |     |   |   |   |   |   |   |   |   |   |       |   |     |   |   |   |   |   |   |   |   |   |       |   |     |   |   |   |   |   |   |   |   |   |      |   |
| 46   | -     | -       | 463,0 | -      | -     | -           | - | -    | -     | 427,0 | -           |      |  |  |  |  |  |  |  |  |  |  |      |     |  |  |  |  |  |  |  |  |  |  |             |                         |  |  |  |  |  |  |  |  |  |  |  |   |   |   |   |   |   |   |   |   |   |   |   |    |   |        |   |   |   |   |   |   |   |   |   |    |   |        |   |   |   |   |   |   |   |   |   |    |   |        |   |   |   |   |   |   |   |   |   |    |       |       |   |   |   |   |   |   |   |       |   |    |       |       |   |   |   |   |   |   |   |       |   |    |       |       |   |   |   |   |   |   |   |       |   |    |       |       |   |   |   |   |   |   |   |       |   |    |       |       |   |   |   |   |   |   |   |       |   |    |       |       |   |   |   |   |   |   |   |       |   |    |       |       |       |   |   |   |   |   |   |       |   |    |      |       |       |   |   |   |   |   |   |       |   |    |      |       |       |   |   |   |   |   |   |       |   |    |   |   |       |   |   |   |   |   |   |       |   |    |   |   |       |   |   |   |   |   |   |       |   |    |   |   |       |       |   |   |   |   |   |       |   |    |   |   |       |       |   |   |   |   |   |       |   |    |   |   |   |       |   |   |   |   |   |       |   |    |   |   |   |       |   |   |   |   |   |       |   |    |   |   |   |       |   |   |   |   |   |       |   |    |   |   |   |       |   |   |   |   |   |       |   |    |   |   |   |       |       |   |   |   |   |       |   |    |   |   |   |   |       |   |   |   |   |       |   |    |   |   |   |   |       |       |   |   |   |       |   |    |   |   |   |   |   |       |   |   |   |       |   |    |   |   |   |   |   |       |   |   |   |       |   |    |   |   |   |   |   |   |   |   |       |       |   |     |   |   |   |   |   |   |   |   |       |       |   |     |   |   |   |   |   |   |   |   |       |       |   |     |   |   |   |   |   |   |   |   |   |       |   |     |   |   |   |   |   |   |   |   |   |       |   |     |   |   |   |   |   |   |   |   |   |      |   |
| 50   | -     | -       | 427,0 | -      | -     | -           | - | -    | -     | 408,0 | -           |      |  |  |  |  |  |  |  |  |  |  |      |     |  |  |  |  |  |  |  |  |  |  |             |                         |  |  |  |  |  |  |  |  |  |  |  |   |   |   |   |   |   |   |   |   |   |   |   |    |   |        |   |   |   |   |   |   |   |   |   |    |   |        |   |   |   |   |   |   |   |   |   |    |   |        |   |   |   |   |   |   |   |   |   |    |       |       |   |   |   |   |   |   |   |       |   |    |       |       |   |   |   |   |   |   |   |       |   |    |       |       |   |   |   |   |   |   |   |       |   |    |       |       |   |   |   |   |   |   |   |       |   |    |       |       |   |   |   |   |   |   |   |       |   |    |       |       |   |   |   |   |   |   |   |       |   |    |       |       |       |   |   |   |   |   |   |       |   |    |      |       |       |   |   |   |   |   |   |       |   |    |      |       |       |   |   |   |   |   |   |       |   |    |   |   |       |   |   |   |   |   |   |       |   |    |   |   |       |   |   |   |   |   |   |       |   |    |   |   |       |       |   |   |   |   |   |       |   |    |   |   |       |       |   |   |   |   |   |       |   |    |   |   |   |       |   |   |   |   |   |       |   |    |   |   |   |       |   |   |   |   |   |       |   |    |   |   |   |       |   |   |   |   |   |       |   |    |   |   |   |       |   |   |   |   |   |       |   |    |   |   |   |       |       |   |   |   |   |       |   |    |   |   |   |   |       |   |   |   |   |       |   |    |   |   |   |   |       |       |   |   |   |       |   |    |   |   |   |   |   |       |   |   |   |       |   |    |   |   |   |   |   |       |   |   |   |       |   |    |   |   |   |   |   |   |   |   |       |       |   |     |   |   |   |   |   |   |   |   |       |       |   |     |   |   |   |   |   |   |   |   |       |       |   |     |   |   |   |   |   |   |   |   |   |       |   |     |   |   |   |   |   |   |   |   |   |       |   |     |   |   |   |   |   |   |   |   |   |      |   |
| 54   | -     | -       | 373,0 | -      | -     | -           | - | -    | -     | 372,0 | -           |      |  |  |  |  |  |  |  |  |  |  |      |     |  |  |  |  |  |  |  |  |  |  |             |                         |  |  |  |  |  |  |  |  |  |  |  |   |   |   |   |   |   |   |   |   |   |   |   |    |   |        |   |   |   |   |   |   |   |   |   |    |   |        |   |   |   |   |   |   |   |   |   |    |   |        |   |   |   |   |   |   |   |   |   |    |       |       |   |   |   |   |   |   |   |       |   |    |       |       |   |   |   |   |   |   |   |       |   |    |       |       |   |   |   |   |   |   |   |       |   |    |       |       |   |   |   |   |   |   |   |       |   |    |       |       |   |   |   |   |   |   |   |       |   |    |       |       |   |   |   |   |   |   |   |       |   |    |       |       |       |   |   |   |   |   |   |       |   |    |      |       |       |   |   |   |   |   |   |       |   |    |      |       |       |   |   |   |   |   |   |       |   |    |   |   |       |   |   |   |   |   |   |       |   |    |   |   |       |   |   |   |   |   |   |       |   |    |   |   |       |       |   |   |   |   |   |       |   |    |   |   |       |       |   |   |   |   |   |       |   |    |   |   |   |       |   |   |   |   |   |       |   |    |   |   |   |       |   |   |   |   |   |       |   |    |   |   |   |       |   |   |   |   |   |       |   |    |   |   |   |       |   |   |   |   |   |       |   |    |   |   |   |       |       |   |   |   |   |       |   |    |   |   |   |   |       |   |   |   |   |       |   |    |   |   |   |   |       |       |   |   |   |       |   |    |   |   |   |   |   |       |   |   |   |       |   |    |   |   |   |   |   |       |   |   |   |       |   |    |   |   |   |   |   |   |   |   |       |       |   |     |   |   |   |   |   |   |   |   |       |       |   |     |   |   |   |   |   |   |   |   |       |       |   |     |   |   |   |   |   |   |   |   |   |       |   |     |   |   |   |   |   |   |   |   |   |       |   |     |   |   |   |   |   |   |   |   |   |      |   |
| 58   | -     | -       | 323,0 | -      | -     | -           | - | -    | -     | 337,0 | -           |      |  |  |  |  |  |  |  |  |  |  |      |     |  |  |  |  |  |  |  |  |  |  |             |                         |  |  |  |  |  |  |  |  |  |  |  |   |   |   |   |   |   |   |   |   |   |   |   |    |   |        |   |   |   |   |   |   |   |   |   |    |   |        |   |   |   |   |   |   |   |   |   |    |   |        |   |   |   |   |   |   |   |   |   |    |       |       |   |   |   |   |   |   |   |       |   |    |       |       |   |   |   |   |   |   |   |       |   |    |       |       |   |   |   |   |   |   |   |       |   |    |       |       |   |   |   |   |   |   |   |       |   |    |       |       |   |   |   |   |   |   |   |       |   |    |       |       |   |   |   |   |   |   |   |       |   |    |       |       |       |   |   |   |   |   |   |       |   |    |      |       |       |   |   |   |   |   |   |       |   |    |      |       |       |   |   |   |   |   |   |       |   |    |   |   |       |   |   |   |   |   |   |       |   |    |   |   |       |   |   |   |   |   |   |       |   |    |   |   |       |       |   |   |   |   |   |       |   |    |   |   |       |       |   |   |   |   |   |       |   |    |   |   |   |       |   |   |   |   |   |       |   |    |   |   |   |       |   |   |   |   |   |       |   |    |   |   |   |       |   |   |   |   |   |       |   |    |   |   |   |       |   |   |   |   |   |       |   |    |   |   |   |       |       |   |   |   |   |       |   |    |   |   |   |   |       |   |   |   |   |       |   |    |   |   |   |   |       |       |   |   |   |       |   |    |   |   |   |   |   |       |   |   |   |       |   |    |   |   |   |   |   |       |   |   |   |       |   |    |   |   |   |   |   |   |   |   |       |       |   |     |   |   |   |   |   |   |   |   |       |       |   |     |   |   |   |   |   |   |   |   |       |       |   |     |   |   |   |   |   |   |   |   |   |       |   |     |   |   |   |   |   |   |   |   |   |       |   |     |   |   |   |   |   |   |   |   |   |      |   |
| 61   | -     | -       | -     | 316,0  | -     | -           | - | -    | -     | 314,5 | -           |      |  |  |  |  |  |  |  |  |  |  |      |     |  |  |  |  |  |  |  |  |  |  |             |                         |  |  |  |  |  |  |  |  |  |  |  |   |   |   |   |   |   |   |   |   |   |   |   |    |   |        |   |   |   |   |   |   |   |   |   |    |   |        |   |   |   |   |   |   |   |   |   |    |   |        |   |   |   |   |   |   |   |   |   |    |       |       |   |   |   |   |   |   |   |       |   |    |       |       |   |   |   |   |   |   |   |       |   |    |       |       |   |   |   |   |   |   |   |       |   |    |       |       |   |   |   |   |   |   |   |       |   |    |       |       |   |   |   |   |   |   |   |       |   |    |       |       |   |   |   |   |   |   |   |       |   |    |       |       |       |   |   |   |   |   |   |       |   |    |      |       |       |   |   |   |   |   |   |       |   |    |      |       |       |   |   |   |   |   |   |       |   |    |   |   |       |   |   |   |   |   |   |       |   |    |   |   |       |   |   |   |   |   |   |       |   |    |   |   |       |       |   |   |   |   |   |       |   |    |   |   |       |       |   |   |   |   |   |       |   |    |   |   |   |       |   |   |   |   |   |       |   |    |   |   |   |       |   |   |   |   |   |       |   |    |   |   |   |       |   |   |   |   |   |       |   |    |   |   |   |       |   |   |   |   |   |       |   |    |   |   |   |       |       |   |   |   |   |       |   |    |   |   |   |   |       |   |   |   |   |       |   |    |   |   |   |   |       |       |   |   |   |       |   |    |   |   |   |   |   |       |   |   |   |       |   |    |   |   |   |   |   |       |   |   |   |       |   |    |   |   |   |   |   |   |   |   |       |       |   |     |   |   |   |   |   |   |   |   |       |       |   |     |   |   |   |   |   |   |   |   |       |       |   |     |   |   |   |   |   |   |   |   |   |       |   |     |   |   |   |   |   |   |   |   |   |       |   |     |   |   |   |   |   |   |   |   |   |      |   |
| 62   | -     | -       | -     | 311,0  | -     | -           | - | -    | -     | 307,0 | -           |      |  |  |  |  |  |  |  |  |  |  |      |     |  |  |  |  |  |  |  |  |  |  |             |                         |  |  |  |  |  |  |  |  |  |  |  |   |   |   |   |   |   |   |   |   |   |   |   |    |   |        |   |   |   |   |   |   |   |   |   |    |   |        |   |   |   |   |   |   |   |   |   |    |   |        |   |   |   |   |   |   |   |   |   |    |       |       |   |   |   |   |   |   |   |       |   |    |       |       |   |   |   |   |   |   |   |       |   |    |       |       |   |   |   |   |   |   |   |       |   |    |       |       |   |   |   |   |   |   |   |       |   |    |       |       |   |   |   |   |   |   |   |       |   |    |       |       |   |   |   |   |   |   |   |       |   |    |       |       |       |   |   |   |   |   |   |       |   |    |      |       |       |   |   |   |   |   |   |       |   |    |      |       |       |   |   |   |   |   |   |       |   |    |   |   |       |   |   |   |   |   |   |       |   |    |   |   |       |   |   |   |   |   |   |       |   |    |   |   |       |       |   |   |   |   |   |       |   |    |   |   |       |       |   |   |   |   |   |       |   |    |   |   |   |       |   |   |   |   |   |       |   |    |   |   |   |       |   |   |   |   |   |       |   |    |   |   |   |       |   |   |   |   |   |       |   |    |   |   |   |       |   |   |   |   |   |       |   |    |   |   |   |       |       |   |   |   |   |       |   |    |   |   |   |   |       |   |   |   |   |       |   |    |   |   |   |   |       |       |   |   |   |       |   |    |   |   |   |   |   |       |   |   |   |       |   |    |   |   |   |   |   |       |   |   |   |       |   |    |   |   |   |   |   |   |   |   |       |       |   |     |   |   |   |   |   |   |   |   |       |       |   |     |   |   |   |   |   |   |   |   |       |       |   |     |   |   |   |   |   |   |   |   |   |       |   |     |   |   |   |   |   |   |   |   |   |       |   |     |   |   |   |   |   |   |   |   |   |      |   |
| 66   | -     | -       | -     | 289,0  | -     | -           | - | -    | -     | 280,0 | -           |      |  |  |  |  |  |  |  |  |  |  |      |     |  |  |  |  |  |  |  |  |  |  |             |                         |  |  |  |  |  |  |  |  |  |  |  |   |   |   |   |   |   |   |   |   |   |   |   |    |   |        |   |   |   |   |   |   |   |   |   |    |   |        |   |   |   |   |   |   |   |   |   |    |   |        |   |   |   |   |   |   |   |   |   |    |       |       |   |   |   |   |   |   |   |       |   |    |       |       |   |   |   |   |   |   |   |       |   |    |       |       |   |   |   |   |   |   |   |       |   |    |       |       |   |   |   |   |   |   |   |       |   |    |       |       |   |   |   |   |   |   |   |       |   |    |       |       |   |   |   |   |   |   |   |       |   |    |       |       |       |   |   |   |   |   |   |       |   |    |      |       |       |   |   |   |   |   |   |       |   |    |      |       |       |   |   |   |   |   |   |       |   |    |   |   |       |   |   |   |   |   |   |       |   |    |   |   |       |   |   |   |   |   |   |       |   |    |   |   |       |       |   |   |   |   |   |       |   |    |   |   |       |       |   |   |   |   |   |       |   |    |   |   |   |       |   |   |   |   |   |       |   |    |   |   |   |       |   |   |   |   |   |       |   |    |   |   |   |       |   |   |   |   |   |       |   |    |   |   |   |       |   |   |   |   |   |       |   |    |   |   |   |       |       |   |   |   |   |       |   |    |   |   |   |   |       |   |   |   |   |       |   |    |   |   |   |   |       |       |   |   |   |       |   |    |   |   |   |   |   |       |   |   |   |       |   |    |   |   |   |   |   |       |   |   |   |       |   |    |   |   |   |   |   |   |   |   |       |       |   |     |   |   |   |   |   |   |   |   |       |       |   |     |   |   |   |   |   |   |   |   |       |       |   |     |   |   |   |   |   |   |   |   |   |       |   |     |   |   |   |   |   |   |   |   |   |       |   |     |   |   |   |   |   |   |   |   |   |      |   |
| 70   | -     | -       | -     | 270,0  | -     | -           | - | -    | -     | 257,0 | -           |      |  |  |  |  |  |  |  |  |  |  |      |     |  |  |  |  |  |  |  |  |  |  |             |                         |  |  |  |  |  |  |  |  |  |  |  |   |   |   |   |   |   |   |   |   |   |   |   |    |   |        |   |   |   |   |   |   |   |   |   |    |   |        |   |   |   |   |   |   |   |   |   |    |   |        |   |   |   |   |   |   |   |   |   |    |       |       |   |   |   |   |   |   |   |       |   |    |       |       |   |   |   |   |   |   |   |       |   |    |       |       |   |   |   |   |   |   |   |       |   |    |       |       |   |   |   |   |   |   |   |       |   |    |       |       |   |   |   |   |   |   |   |       |   |    |       |       |   |   |   |   |   |   |   |       |   |    |       |       |       |   |   |   |   |   |   |       |   |    |      |       |       |   |   |   |   |   |   |       |   |    |      |       |       |   |   |   |   |   |   |       |   |    |   |   |       |   |   |   |   |   |   |       |   |    |   |   |       |   |   |   |   |   |   |       |   |    |   |   |       |       |   |   |   |   |   |       |   |    |   |   |       |       |   |   |   |   |   |       |   |    |   |   |   |       |   |   |   |   |   |       |   |    |   |   |   |       |   |   |   |   |   |       |   |    |   |   |   |       |   |   |   |   |   |       |   |    |   |   |   |       |   |   |   |   |   |       |   |    |   |   |   |       |       |   |   |   |   |       |   |    |   |   |   |   |       |   |   |   |   |       |   |    |   |   |   |   |       |       |   |   |   |       |   |    |   |   |   |   |   |       |   |   |   |       |   |    |   |   |   |   |   |       |   |   |   |       |   |    |   |   |   |   |   |   |   |   |       |       |   |     |   |   |   |   |   |   |   |   |       |       |   |     |   |   |   |   |   |   |   |   |       |       |   |     |   |   |   |   |   |   |   |   |   |       |   |     |   |   |   |   |   |   |   |   |   |       |   |     |   |   |   |   |   |   |   |   |   |      |   |
| 71   | -     | -       | -     | 266,0  | -     | -           | - | -    | -     | 251,7 | -           |      |  |  |  |  |  |  |  |  |  |  |      |     |  |  |  |  |  |  |  |  |  |  |             |                         |  |  |  |  |  |  |  |  |  |  |  |   |   |   |   |   |   |   |   |   |   |   |   |    |   |        |   |   |   |   |   |   |   |   |   |    |   |        |   |   |   |   |   |   |   |   |   |    |   |        |   |   |   |   |   |   |   |   |   |    |       |       |   |   |   |   |   |   |   |       |   |    |       |       |   |   |   |   |   |   |   |       |   |    |       |       |   |   |   |   |   |   |   |       |   |    |       |       |   |   |   |   |   |   |   |       |   |    |       |       |   |   |   |   |   |   |   |       |   |    |       |       |   |   |   |   |   |   |   |       |   |    |       |       |       |   |   |   |   |   |   |       |   |    |      |       |       |   |   |   |   |   |   |       |   |    |      |       |       |   |   |   |   |   |   |       |   |    |   |   |       |   |   |   |   |   |   |       |   |    |   |   |       |   |   |   |   |   |   |       |   |    |   |   |       |       |   |   |   |   |   |       |   |    |   |   |       |       |   |   |   |   |   |       |   |    |   |   |   |       |   |   |   |   |   |       |   |    |   |   |   |       |   |   |   |   |   |       |   |    |   |   |   |       |   |   |   |   |   |       |   |    |   |   |   |       |   |   |   |   |   |       |   |    |   |   |   |       |       |   |   |   |   |       |   |    |   |   |   |   |       |   |   |   |   |       |   |    |   |   |   |   |       |       |   |   |   |       |   |    |   |   |   |   |   |       |   |   |   |       |   |    |   |   |   |   |   |       |   |   |   |       |   |    |   |   |   |   |   |   |   |   |       |       |   |     |   |   |   |   |   |   |   |   |       |       |   |     |   |   |   |   |   |   |   |   |       |       |   |     |   |   |   |   |   |   |   |   |   |       |   |     |   |   |   |   |   |   |   |   |   |       |   |     |   |   |   |   |   |   |   |   |   |      |   |
| 74   | -     | -       | -     | -      | -     | -           | - | -    | -     | 236,0 | -           |      |  |  |  |  |  |  |  |  |  |  |      |     |  |  |  |  |  |  |  |  |  |  |             |                         |  |  |  |  |  |  |  |  |  |  |  |   |   |   |   |   |   |   |   |   |   |   |   |    |   |        |   |   |   |   |   |   |   |   |   |    |   |        |   |   |   |   |   |   |   |   |   |    |   |        |   |   |   |   |   |   |   |   |   |    |       |       |   |   |   |   |   |   |   |       |   |    |       |       |   |   |   |   |   |   |   |       |   |    |       |       |   |   |   |   |   |   |   |       |   |    |       |       |   |   |   |   |   |   |   |       |   |    |       |       |   |   |   |   |   |   |   |       |   |    |       |       |   |   |   |   |   |   |   |       |   |    |       |       |       |   |   |   |   |   |   |       |   |    |      |       |       |   |   |   |   |   |   |       |   |    |      |       |       |   |   |   |   |   |   |       |   |    |   |   |       |   |   |   |   |   |   |       |   |    |   |   |       |   |   |   |   |   |   |       |   |    |   |   |       |       |   |   |   |   |   |       |   |    |   |   |       |       |   |   |   |   |   |       |   |    |   |   |   |       |   |   |   |   |   |       |   |    |   |   |   |       |   |   |   |   |   |       |   |    |   |   |   |       |   |   |   |   |   |       |   |    |   |   |   |       |   |   |   |   |   |       |   |    |   |   |   |       |       |   |   |   |   |       |   |    |   |   |   |   |       |   |   |   |   |       |   |    |   |   |   |   |       |       |   |   |   |       |   |    |   |   |   |   |   |       |   |   |   |       |   |    |   |   |   |   |   |       |   |   |   |       |   |    |   |   |   |   |   |   |   |   |       |       |   |     |   |   |   |   |   |   |   |   |       |       |   |     |   |   |   |   |   |   |   |   |       |       |   |     |   |   |   |   |   |   |   |   |   |       |   |     |   |   |   |   |   |   |   |   |   |       |   |     |   |   |   |   |   |   |   |   |   |      |   |
| 77   | -     | -       | -     | -      | 224,0 | -           | - | -    | -     | 222,5 | -           |      |  |  |  |  |  |  |  |  |  |  |      |     |  |  |  |  |  |  |  |  |  |  |             |                         |  |  |  |  |  |  |  |  |  |  |  |   |   |   |   |   |   |   |   |   |   |   |   |    |   |        |   |   |   |   |   |   |   |   |   |    |   |        |   |   |   |   |   |   |   |   |   |    |   |        |   |   |   |   |   |   |   |   |   |    |       |       |   |   |   |   |   |   |   |       |   |    |       |       |   |   |   |   |   |   |   |       |   |    |       |       |   |   |   |   |   |   |   |       |   |    |       |       |   |   |   |   |   |   |   |       |   |    |       |       |   |   |   |   |   |   |   |       |   |    |       |       |   |   |   |   |   |   |   |       |   |    |       |       |       |   |   |   |   |   |   |       |   |    |      |       |       |   |   |   |   |   |   |       |   |    |      |       |       |   |   |   |   |   |   |       |   |    |   |   |       |   |   |   |   |   |   |       |   |    |   |   |       |   |   |   |   |   |   |       |   |    |   |   |       |       |   |   |   |   |   |       |   |    |   |   |       |       |   |   |   |   |   |       |   |    |   |   |   |       |   |   |   |   |   |       |   |    |   |   |   |       |   |   |   |   |   |       |   |    |   |   |   |       |   |   |   |   |   |       |   |    |   |   |   |       |   |   |   |   |   |       |   |    |   |   |   |       |       |   |   |   |   |       |   |    |   |   |   |   |       |   |   |   |   |       |   |    |   |   |   |   |       |       |   |   |   |       |   |    |   |   |   |   |   |       |   |   |   |       |   |    |   |   |   |   |   |       |   |   |   |       |   |    |   |   |   |   |   |   |   |   |       |       |   |     |   |   |   |   |   |   |   |   |       |       |   |     |   |   |   |   |   |   |   |   |       |       |   |     |   |   |   |   |   |   |   |   |   |       |   |     |   |   |   |   |   |   |   |   |   |       |   |     |   |   |   |   |   |   |   |   |   |      |   |
| 78   | -     | -       | -     | -      | 220,0 | -           | - | -    | -     | 218,0 | -           |      |  |  |  |  |  |  |  |  |  |  |      |     |  |  |  |  |  |  |  |  |  |  |             |                         |  |  |  |  |  |  |  |  |  |  |  |   |   |   |   |   |   |   |   |   |   |   |   |    |   |        |   |   |   |   |   |   |   |   |   |    |   |        |   |   |   |   |   |   |   |   |   |    |   |        |   |   |   |   |   |   |   |   |   |    |       |       |   |   |   |   |   |   |   |       |   |    |       |       |   |   |   |   |   |   |   |       |   |    |       |       |   |   |   |   |   |   |   |       |   |    |       |       |   |   |   |   |   |   |   |       |   |    |       |       |   |   |   |   |   |   |   |       |   |    |       |       |   |   |   |   |   |   |   |       |   |    |       |       |       |   |   |   |   |   |   |       |   |    |      |       |       |   |   |   |   |   |   |       |   |    |      |       |       |   |   |   |   |   |   |       |   |    |   |   |       |   |   |   |   |   |   |       |   |    |   |   |       |   |   |   |   |   |   |       |   |    |   |   |       |       |   |   |   |   |   |       |   |    |   |   |       |       |   |   |   |   |   |       |   |    |   |   |   |       |   |   |   |   |   |       |   |    |   |   |   |       |   |   |   |   |   |       |   |    |   |   |   |       |   |   |   |   |   |       |   |    |   |   |   |       |   |   |   |   |   |       |   |    |   |   |   |       |       |   |   |   |   |       |   |    |   |   |   |   |       |   |   |   |   |       |   |    |   |   |   |   |       |       |   |   |   |       |   |    |   |   |   |   |   |       |   |   |   |       |   |    |   |   |   |   |   |       |   |   |   |       |   |    |   |   |   |   |   |   |   |   |       |       |   |     |   |   |   |   |   |   |   |   |       |       |   |     |   |   |   |   |   |   |   |   |       |       |   |     |   |   |   |   |   |   |   |   |   |       |   |     |   |   |   |   |   |   |   |   |   |       |   |     |   |   |   |   |   |   |   |   |   |      |   |
| 82   | -     | -       | -     | -      | 208,0 | -           | - | -    | -     | 201,0 | -           |      |  |  |  |  |  |  |  |  |  |  |      |     |  |  |  |  |  |  |  |  |  |  |             |                         |  |  |  |  |  |  |  |  |  |  |  |   |   |   |   |   |   |   |   |   |   |   |   |    |   |        |   |   |   |   |   |   |   |   |   |    |   |        |   |   |   |   |   |   |   |   |   |    |   |        |   |   |   |   |   |   |   |   |   |    |       |       |   |   |   |   |   |   |   |       |   |    |       |       |   |   |   |   |   |   |   |       |   |    |       |       |   |   |   |   |   |   |   |       |   |    |       |       |   |   |   |   |   |   |   |       |   |    |       |       |   |   |   |   |   |   |   |       |   |    |       |       |   |   |   |   |   |   |   |       |   |    |       |       |       |   |   |   |   |   |   |       |   |    |      |       |       |   |   |   |   |   |   |       |   |    |      |       |       |   |   |   |   |   |   |       |   |    |   |   |       |   |   |   |   |   |   |       |   |    |   |   |       |   |   |   |   |   |   |       |   |    |   |   |       |       |   |   |   |   |   |       |   |    |   |   |       |       |   |   |   |   |   |       |   |    |   |   |   |       |   |   |   |   |   |       |   |    |   |   |   |       |   |   |   |   |   |       |   |    |   |   |   |       |   |   |   |   |   |       |   |    |   |   |   |       |   |   |   |   |   |       |   |    |   |   |   |       |       |   |   |   |   |       |   |    |   |   |   |   |       |   |   |   |   |       |   |    |   |   |   |   |       |       |   |   |   |       |   |    |   |   |   |   |   |       |   |   |   |       |   |    |   |   |   |   |   |       |   |   |   |       |   |    |   |   |   |   |   |   |   |   |       |       |   |     |   |   |   |   |   |   |   |   |       |       |   |     |   |   |   |   |   |   |   |   |       |       |   |     |   |   |   |   |   |   |   |   |   |       |   |     |   |   |   |   |   |   |   |   |   |       |   |     |   |   |   |   |   |   |   |   |   |      |   |
| 86   | -     | -       | -     | -      | -     | -           | - | -    | -     | 184,0 | -           |      |  |  |  |  |  |  |  |  |  |  |      |     |  |  |  |  |  |  |  |  |  |  |             |                         |  |  |  |  |  |  |  |  |  |  |  |   |   |   |   |   |   |   |   |   |   |   |   |    |   |        |   |   |   |   |   |   |   |   |   |    |   |        |   |   |   |   |   |   |   |   |   |    |   |        |   |   |   |   |   |   |   |   |   |    |       |       |   |   |   |   |   |   |   |       |   |    |       |       |   |   |   |   |   |   |   |       |   |    |       |       |   |   |   |   |   |   |   |       |   |    |       |       |   |   |   |   |   |   |   |       |   |    |       |       |   |   |   |   |   |   |   |       |   |    |       |       |   |   |   |   |   |   |   |       |   |    |       |       |       |   |   |   |   |   |   |       |   |    |      |       |       |   |   |   |   |   |   |       |   |    |      |       |       |   |   |   |   |   |   |       |   |    |   |   |       |   |   |   |   |   |   |       |   |    |   |   |       |   |   |   |   |   |   |       |   |    |   |   |       |       |   |   |   |   |   |       |   |    |   |   |       |       |   |   |   |   |   |       |   |    |   |   |   |       |   |   |   |   |   |       |   |    |   |   |   |       |   |   |   |   |   |       |   |    |   |   |   |       |   |   |   |   |   |       |   |    |   |   |   |       |   |   |   |   |   |       |   |    |   |   |   |       |       |   |   |   |   |       |   |    |   |   |   |   |       |   |   |   |   |       |   |    |   |   |   |   |       |       |   |   |   |       |   |    |   |   |   |   |   |       |   |   |   |       |   |    |   |   |   |   |   |       |   |   |   |       |   |    |   |   |   |   |   |   |   |   |       |       |   |     |   |   |   |   |   |   |   |   |       |       |   |     |   |   |   |   |   |   |   |   |       |       |   |     |   |   |   |   |   |   |   |   |   |       |   |     |   |   |   |   |   |   |   |   |   |       |   |     |   |   |   |   |   |   |   |   |   |      |   |
| 90   | -     | -       | -     | -      | -     | -           | - | -    | -     | 164,0 | -           |      |  |  |  |  |  |  |  |  |  |  |      |     |  |  |  |  |  |  |  |  |  |  |             |                         |  |  |  |  |  |  |  |  |  |  |  |   |   |   |   |   |   |   |   |   |   |   |   |    |   |        |   |   |   |   |   |   |   |   |   |    |   |        |   |   |   |   |   |   |   |   |   |    |   |        |   |   |   |   |   |   |   |   |   |    |       |       |   |   |   |   |   |   |   |       |   |    |       |       |   |   |   |   |   |   |   |       |   |    |       |       |   |   |   |   |   |   |   |       |   |    |       |       |   |   |   |   |   |   |   |       |   |    |       |       |   |   |   |   |   |   |   |       |   |    |       |       |   |   |   |   |   |   |   |       |   |    |       |       |       |   |   |   |   |   |   |       |   |    |      |       |       |   |   |   |   |   |   |       |   |    |      |       |       |   |   |   |   |   |   |       |   |    |   |   |       |   |   |   |   |   |   |       |   |    |   |   |       |   |   |   |   |   |   |       |   |    |   |   |       |       |   |   |   |   |   |       |   |    |   |   |       |       |   |   |   |   |   |       |   |    |   |   |   |       |   |   |   |   |   |       |   |    |   |   |   |       |   |   |   |   |   |       |   |    |   |   |   |       |   |   |   |   |   |       |   |    |   |   |   |       |   |   |   |   |   |       |   |    |   |   |   |       |       |   |   |   |   |       |   |    |   |   |   |   |       |   |   |   |   |       |   |    |   |   |   |   |       |       |   |   |   |       |   |    |   |   |   |   |   |       |   |   |   |       |   |    |   |   |   |   |   |       |   |   |   |       |   |    |   |   |   |   |   |   |   |   |       |       |   |     |   |   |   |   |   |   |   |   |       |       |   |     |   |   |   |   |   |   |   |   |       |       |   |     |   |   |   |   |   |   |   |   |   |       |   |     |   |   |   |   |   |   |   |   |   |       |   |     |   |   |   |   |   |   |   |   |   |      |   |
| 91   | -     | -       | -     | -      | -     | -           | - | -    | 161,0 | 159,2 | -           |      |  |  |  |  |  |  |  |  |  |  |      |     |  |  |  |  |  |  |  |  |  |  |             |                         |  |  |  |  |  |  |  |  |  |  |  |   |   |   |   |   |   |   |   |   |   |   |   |    |   |        |   |   |   |   |   |   |   |   |   |    |   |        |   |   |   |   |   |   |   |   |   |    |   |        |   |   |   |   |   |   |   |   |   |    |       |       |   |   |   |   |   |   |   |       |   |    |       |       |   |   |   |   |   |   |   |       |   |    |       |       |   |   |   |   |   |   |   |       |   |    |       |       |   |   |   |   |   |   |   |       |   |    |       |       |   |   |   |   |   |   |   |       |   |    |       |       |   |   |   |   |   |   |   |       |   |    |       |       |       |   |   |   |   |   |   |       |   |    |      |       |       |   |   |   |   |   |   |       |   |    |      |       |       |   |   |   |   |   |   |       |   |    |   |   |       |   |   |   |   |   |   |       |   |    |   |   |       |   |   |   |   |   |   |       |   |    |   |   |       |       |   |   |   |   |   |       |   |    |   |   |       |       |   |   |   |   |   |       |   |    |   |   |   |       |   |   |   |   |   |       |   |    |   |   |   |       |   |   |   |   |   |       |   |    |   |   |   |       |   |   |   |   |   |       |   |    |   |   |   |       |   |   |   |   |   |       |   |    |   |   |   |       |       |   |   |   |   |       |   |    |   |   |   |   |       |   |   |   |   |       |   |    |   |   |   |   |       |       |   |   |   |       |   |    |   |   |   |   |   |       |   |   |   |       |   |    |   |   |   |   |   |       |   |   |   |       |   |    |   |   |   |   |   |   |   |   |       |       |   |     |   |   |   |   |   |   |   |   |       |       |   |     |   |   |   |   |   |   |   |   |       |       |   |     |   |   |   |   |   |   |   |   |   |       |   |     |   |   |   |   |   |   |   |   |   |       |   |     |   |   |   |   |   |   |   |   |   |      |   |
| 93   | -     | -       | -     | -      | -     | -           | - | -    | 156,0 | 149,7 | -           |      |  |  |  |  |  |  |  |  |  |  |      |     |  |  |  |  |  |  |  |  |  |  |             |                         |  |  |  |  |  |  |  |  |  |  |  |   |   |   |   |   |   |   |   |   |   |   |   |    |   |        |   |   |   |   |   |   |   |   |   |    |   |        |   |   |   |   |   |   |   |   |   |    |   |        |   |   |   |   |   |   |   |   |   |    |       |       |   |   |   |   |   |   |   |       |   |    |       |       |   |   |   |   |   |   |   |       |   |    |       |       |   |   |   |   |   |   |   |       |   |    |       |       |   |   |   |   |   |   |   |       |   |    |       |       |   |   |   |   |   |   |   |       |   |    |       |       |   |   |   |   |   |   |   |       |   |    |       |       |       |   |   |   |   |   |   |       |   |    |      |       |       |   |   |   |   |   |   |       |   |    |      |       |       |   |   |   |   |   |   |       |   |    |   |   |       |   |   |   |   |   |   |       |   |    |   |   |       |   |   |   |   |   |   |       |   |    |   |   |       |       |   |   |   |   |   |       |   |    |   |   |       |       |   |   |   |   |   |       |   |    |   |   |   |       |   |   |   |   |   |       |   |    |   |   |   |       |   |   |   |   |   |       |   |    |   |   |   |       |   |   |   |   |   |       |   |    |   |   |   |       |   |   |   |   |   |       |   |    |   |   |   |       |       |   |   |   |   |       |   |    |   |   |   |   |       |   |   |   |   |       |   |    |   |   |   |   |       |       |   |   |   |       |   |    |   |   |   |   |   |       |   |   |   |       |   |    |   |   |   |   |   |       |   |   |   |       |   |    |   |   |   |   |   |   |   |   |       |       |   |     |   |   |   |   |   |   |   |   |       |       |   |     |   |   |   |   |   |   |   |   |       |       |   |     |   |   |   |   |   |   |   |   |   |       |   |     |   |   |   |   |   |   |   |   |   |       |   |     |   |   |   |   |   |   |   |   |   |      |   |
| 94   | -     | -       | -     | -      | -     | -           | - | -    | -     | 145,0 | -           |      |  |  |  |  |  |  |  |  |  |  |      |     |  |  |  |  |  |  |  |  |  |  |             |                         |  |  |  |  |  |  |  |  |  |  |  |   |   |   |   |   |   |   |   |   |   |   |   |    |   |        |   |   |   |   |   |   |   |   |   |    |   |        |   |   |   |   |   |   |   |   |   |    |   |        |   |   |   |   |   |   |   |   |   |    |       |       |   |   |   |   |   |   |   |       |   |    |       |       |   |   |   |   |   |   |   |       |   |    |       |       |   |   |   |   |   |   |   |       |   |    |       |       |   |   |   |   |   |   |   |       |   |    |       |       |   |   |   |   |   |   |   |       |   |    |       |       |   |   |   |   |   |   |   |       |   |    |       |       |       |   |   |   |   |   |   |       |   |    |      |       |       |   |   |   |   |   |   |       |   |    |      |       |       |   |   |   |   |   |   |       |   |    |   |   |       |   |   |   |   |   |   |       |   |    |   |   |       |   |   |   |   |   |   |       |   |    |   |   |       |       |   |   |   |   |   |       |   |    |   |   |       |       |   |   |   |   |   |       |   |    |   |   |   |       |   |   |   |   |   |       |   |    |   |   |   |       |   |   |   |   |   |       |   |    |   |   |   |       |   |   |   |   |   |       |   |    |   |   |   |       |   |   |   |   |   |       |   |    |   |   |   |       |       |   |   |   |   |       |   |    |   |   |   |   |       |   |   |   |   |       |   |    |   |   |   |   |       |       |   |   |   |       |   |    |   |   |   |   |   |       |   |   |   |       |   |    |   |   |   |   |   |       |   |   |   |       |   |    |   |   |   |   |   |   |   |   |       |       |   |     |   |   |   |   |   |   |   |   |       |       |   |     |   |   |   |   |   |   |   |   |       |       |   |     |   |   |   |   |   |   |   |   |   |       |   |     |   |   |   |   |   |   |   |   |   |       |   |     |   |   |   |   |   |   |   |   |   |      |   |
| 98   | -     | -       | -     | -      | -     | -           | - | -    | -     | 127,0 | -           |      |  |  |  |  |  |  |  |  |  |  |      |     |  |  |  |  |  |  |  |  |  |  |             |                         |  |  |  |  |  |  |  |  |  |  |  |   |   |   |   |   |   |   |   |   |   |   |   |    |   |        |   |   |   |   |   |   |   |   |   |    |   |        |   |   |   |   |   |   |   |   |   |    |   |        |   |   |   |   |   |   |   |   |   |    |       |       |   |   |   |   |   |   |   |       |   |    |       |       |   |   |   |   |   |   |   |       |   |    |       |       |   |   |   |   |   |   |   |       |   |    |       |       |   |   |   |   |   |   |   |       |   |    |       |       |   |   |   |   |   |   |   |       |   |    |       |       |   |   |   |   |   |   |   |       |   |    |       |       |       |   |   |   |   |   |   |       |   |    |      |       |       |   |   |   |   |   |   |       |   |    |      |       |       |   |   |   |   |   |   |       |   |    |   |   |       |   |   |   |   |   |   |       |   |    |   |   |       |   |   |   |   |   |   |       |   |    |   |   |       |       |   |   |   |   |   |       |   |    |   |   |       |       |   |   |   |   |   |       |   |    |   |   |   |       |   |   |   |   |   |       |   |    |   |   |   |       |   |   |   |   |   |       |   |    |   |   |   |       |   |   |   |   |   |       |   |    |   |   |   |       |   |   |   |   |   |       |   |    |   |   |   |       |       |   |   |   |   |       |   |    |   |   |   |   |       |   |   |   |   |       |   |    |   |   |   |   |       |       |   |   |   |       |   |    |   |   |   |   |   |       |   |   |   |       |   |    |   |   |   |   |   |       |   |   |   |       |   |    |   |   |   |   |   |   |   |   |       |       |   |     |   |   |   |   |   |   |   |   |       |       |   |     |   |   |   |   |   |   |   |   |       |       |   |     |   |   |   |   |   |   |   |   |   |       |   |     |   |   |   |   |   |   |   |   |   |       |   |     |   |   |   |   |   |   |   |   |   |      |   |
| 102  | -     | -       | -     | -      | -     | -           | - | -    | -     | 112,0 | -           |      |  |  |  |  |  |  |  |  |  |  |      |     |  |  |  |  |  |  |  |  |  |  |             |                         |  |  |  |  |  |  |  |  |  |  |  |   |   |   |   |   |   |   |   |   |   |   |   |    |   |        |   |   |   |   |   |   |   |   |   |    |   |        |   |   |   |   |   |   |   |   |   |    |   |        |   |   |   |   |   |   |   |   |   |    |       |       |   |   |   |   |   |   |   |       |   |    |       |       |   |   |   |   |   |   |   |       |   |    |       |       |   |   |   |   |   |   |   |       |   |    |       |       |   |   |   |   |   |   |   |       |   |    |       |       |   |   |   |   |   |   |   |       |   |    |       |       |   |   |   |   |   |   |   |       |   |    |       |       |       |   |   |   |   |   |   |       |   |    |      |       |       |   |   |   |   |   |   |       |   |    |      |       |       |   |   |   |   |   |   |       |   |    |   |   |       |   |   |   |   |   |   |       |   |    |   |   |       |   |   |   |   |   |   |       |   |    |   |   |       |       |   |   |   |   |   |       |   |    |   |   |       |       |   |   |   |   |   |       |   |    |   |   |   |       |   |   |   |   |   |       |   |    |   |   |   |       |   |   |   |   |   |       |   |    |   |   |   |       |   |   |   |   |   |       |   |    |   |   |   |       |   |   |   |   |   |       |   |    |   |   |   |       |       |   |   |   |   |       |   |    |   |   |   |   |       |   |   |   |   |       |   |    |   |   |   |   |       |       |   |   |   |       |   |    |   |   |   |   |   |       |   |   |   |       |   |    |   |   |   |   |   |       |   |   |   |       |   |    |   |   |   |   |   |   |   |   |       |       |   |     |   |   |   |   |   |   |   |   |       |       |   |     |   |   |   |   |   |   |   |   |       |       |   |     |   |   |   |   |   |   |   |   |   |       |   |     |   |   |   |   |   |   |   |   |   |       |   |     |   |   |   |   |   |   |   |   |   |      |   |
| <table border="1"> <thead> <tr> <th colspan="11">SWSL</th> <th>SFSL</th> </tr> <tr> <th colspan="11">0 t</th> <th>0 t - 640 t</th> </tr> <tr> <th colspan="11">85° 85° 75° 65° 55° 45°</th> <th></th> </tr> <tr> <th>m</th> <th>t</th> <th>t</th> <th>t</th> <th>t</th> <th>t</th> <th>t</th> <th>t</th> <th>t</th> <th>t</th> <th>t</th> <th>t</th> </tr> </thead> <tbody> <tr><td>22</td><td>-</td><td>362,0*</td><td>-</td><td>-</td><td>-</td><td>-</td><td>-</td><td>-</td><td>-</td><td>-</td><td>-</td></tr> <tr><td>24</td><td>-</td><td>358,0*</td><td>-</td><td>-</td><td>-</td><td>-</td><td>-</td><td>-</td><td>-</td><td>-</td><td>-</td></tr> <tr><td>26</td><td>-</td><td>349,0*</td><td>-</td><td>-</td><td>-</td><td>-</td><td>-</td><td>-</td><td>-</td><td>-</td><td>-</td></tr> <tr><td>28</td><td>-</td><td>340,0</td><td>-</td><td>-</td><td>-</td><td>-</td><td>-</td><td>-</td><td>-</td><td>-</td><td>-</td></tr> <tr><td>30</td><td>186,0</td><td>377,0</td><td>-</td><td>-</td><td>-</td><td>-</td><td>-</td><td>-</td><td>-</td><td>368,0</td><td>-</td></tr> <tr><td>34</td><td>163,0</td><td>364,0</td><td>-</td><td>-</td><td>-</td><td>-</td><td>-</td><td>-</td><td>-</td><td>368,0</td><td>-</td></tr> <tr><td>38</td><td>145,0</td><td>351,0</td><td>-</td><td>-</td><td>-</td><td>-</td><td>-</td><td>-</td><td>-</td><td>368,0</td><td>-</td></tr> <tr><td>42</td><td>129,0</td><td>338,0</td><td>-</td><td>-</td><td>-</td><td>-</td><td>-</td><td>-</td><td>-</td><td>368,0</td><td>-</td></tr> <tr><td>46</td><td>116,0</td><td>326,0</td><td>-</td><td>-</td><td>-</td><td>-</td><td>-</td><td>-</td><td>-</td><td>367,0</td><td>-</td></tr> <tr><td>50</td><td>103,0</td><td>292,0</td><td>386,0</td><td>-</td><td>-</td><td>-</td><td>-</td><td>-</td><td>-</td><td>355,0</td><td>-</td></tr> <tr><td>54</td><td>92,0</td><td>260,0</td><td>379,0</td><td>-</td><td>-</td><td>-</td><td>-</td><td>-</td><td>-</td><td>339,0</td><td>-</td></tr> <tr><td>56</td><td>87,0</td><td>240,0</td><td>370,0</td><td>-</td><td>-</td><td>-</td><td>-</td><td>-</td><td>-</td><td>333,0</td><td>-</td></tr> <tr><td>58</td><td>-</td><td>-</td><td>348,0</td><td>-</td><td>-</td><td>-</td><td>-</td><td>-</td><td>-</td><td>327,0</td><td>-</td></tr> <tr><td>62</td><td>-</td><td>-</td><td>305,0</td><td>-</td><td>-</td><td>-</td><td>-</td><td>-</td><td>-</td><td>310,0</td><td>-</td></tr> <tr><td>66</td><td>-</td><td>-</td><td>271,0</td><td>-</td><td>-</td><td>-</td><td>-</td><td>-</td><td>-</td><td>284,0</td><td>-</td></tr> <tr><td>68</td><td>-</td><td>-</td><td>257,0</td><td>-</td><td>-</td><td>-</td><td>-</td><td>-</td><td>-</td><td>272,0</td><td>-</td></tr> <tr><td>69</td><td>-</td><td>-</td><td>-</td><td>268,0</td><td>-</td><td>-</td><td>-</td><td>-</td><td>-</td><td>266,0</td><td>-</td></tr> <tr><td>70</td><td>-</td><td>-</td><td>-</td><td>264,0</td><td>-</td><td>-</td><td>-</td><td>-</td><td>-</td><td>260,0</td><td>-</td></tr> <tr><td>74</td><td>-</td><td>-</td><td>-</td><td>247,0</td><td>-</td><td>-</td><td>-</td><td>-</td><td>-</td><td>239,0</td><td>-</td></tr> <tr><td>78</td><td>-</td><td>-</td><td>-</td><td>232,0</td><td>-</td><td>-</td><td>-</td><td>-</td><td>-</td><td>220,0</td><td>-</td></tr> <tr><td>82</td><td>-</td><td>-</td><td>-</td><td>219,0</td><td>-</td><td>-</td><td>-</td><td>-</td><td>-</td><td>203,0</td><td>-</td></tr> <tr><td>86</td><td>-</td><td>-</td><td>-</td><td>-</td><td>-</td><td>-</td><td>-</td><td>-</td><td>-</td><td>188,0</td><td>-</td></tr> <tr><td>87</td><td>-</td><td>-</td><td>-</td><td>-</td><td>-</td><td>187,0</td><td>-</td><td>-</td><td>-</td><td>184,5</td><td>-</td></tr> <tr><td>90</td><td>-</td><td>-</td><td>-</td><td>-</td><td>-</td><td>179,0</td><td>-</td><td>-</td><td>-</td><td>174,0</td><td>-</td></tr> <tr><td>94</td><td>-</td><td>-</td><td>-</td><td>-</td><td>-</td><td>170,0</td><td>-</td><td>-</td><td>-</td><td>161,0</td><td>-</td></tr> <tr><td>98</td><td>-</td><td>-</td><td>-</td><td>-</td><td>-</td><td>-</td><td>-</td><td>-</td><td>-</td><td>144,0</td><td>-</td></tr> <tr><td>102</td><td>-</td><td>-</td><td>-</td><td>-</td><td>-</td><td>-</td><td>-</td><td>-</td><td>131,0</td><td>128,0</td><td>-</td></tr> <tr><td>104</td><td>-</td><td>-</td><td>-</td><td>-</td><td>-</td><td>-</td><td>-</td><td>-</td><td>127,0</td><td>120,5</td><td>-</td></tr> <tr><td>106</td><td>-</td><td>-</td><td>-</td><td>-</td><td>-</td><td>-</td><td>-</td><td>-</td><td>-</td><td>113,0</td><td>-</td></tr> <tr><td>110</td><td>-</td><td>-</td><td>-</td><td>-</td><td>-</td><td>-</td><td>-</td><td>-</td><td>-</td><td>98,5</td><td>-</td></tr> <tr><td>114</td><td>-</td><td>-</td><td>-</td><td>-</td><td>-</td><td>-</td><td>-</td><td>-</td><td>-</td><td>89,5</td><td>-</td></tr> </tbody> </table> |       |         |       |        |       |             |   |      |       |       |             | SWSL |  |  |  |  |  |  |  |  |  |  | SFSL | 0 t |  |  |  |  |  |  |  |  |  |  | 0 t - 640 t | 85° 85° 75° 65° 55° 45° |  |  |  |  |  |  |  |  |  |  |  | m | t | t | t | t | t | t | t | t | t | t | t | 22 | - | 362,0* | - | - | - | - | - | - | - | - | - | 24 | - | 358,0* | - | - | - | - | - | - | - | - | - | 26 | - | 349,0* | - | - | - | - | - | - | - | - | - | 28 | -     | 340,0 | - | - | - | - | - | - | - | -     | - | 30 | 186,0 | 377,0 | - | - | - | - | - | - | - | 368,0 | - | 34 | 163,0 | 364,0 | - | - | - | - | - | - | - | 368,0 | - | 38 | 145,0 | 351,0 | - | - | - | - | - | - | - | 368,0 | - | 42 | 129,0 | 338,0 | - | - | - | - | - | - | - | 368,0 | - | 46 | 116,0 | 326,0 | - | - | - | - | - | - | - | 367,0 | - | 50 | 103,0 | 292,0 | 386,0 | - | - | - | - | - | - | 355,0 | - | 54 | 92,0 | 260,0 | 379,0 | - | - | - | - | - | - | 339,0 | - | 56 | 87,0 | 240,0 | 370,0 | - | - | - | - | - | - | 333,0 | - | 58 | - | - | 348,0 | - | - | - | - | - | - | 327,0 | - | 62 | - | - | 305,0 | - | - | - | - | - | - | 310,0 | - | 66 | - | - | 271,0 | -     | - | - | - | - | - | 284,0 | - | 68 | - | - | 257,0 | -     | - | - | - | - | - | 272,0 | - | 69 | - | - | - | 268,0 | - | - | - | - | - | 266,0 | - | 70 | - | - | - | 264,0 | - | - | - | - | - | 260,0 | - | 74 | - | - | - | 247,0 | - | - | - | - | - | 239,0 | - | 78 | - | - | - | 232,0 | - | - | - | - | - | 220,0 | - | 82 | - | - | - | 219,0 | -     | - | - | - | - | 203,0 | - | 86 | - | - | - | - | -     | - | - | - | - | 188,0 | - | 87 | - | - | - | - | -     | 187,0 | - | - | - | 184,5 | - | 90 | - | - | - | - | - | 179,0 | - | - | - | 174,0 | - | 94 | - | - | - | - | - | 170,0 | - | - | - | 161,0 | - | 98 | - | - | - | - | - | - | - | - | -     | 144,0 | - | 102 | - | - | - | - | - | - | - | - | 131,0 | 128,0 | - | 104 | - | - | - | - | - | - | - | - | 127,0 | 120,5 | - | 106 | - | - | - | - | - | - | - | - | - | 113,0 | - | 110 | - | - | - | - | - | - | - | - | - | 98,5  | - | 114 | - | - | - | - | - | - | - | - | - | 89,5 | - |
| SWSL   |       |         |       |        |       |             |   |      |       |       | SFSL        |      |  |  |  |  |  |  |  |  |  |  |      |     |  |  |  |  |  |  |  |  |  |  |             |                         |  |  |  |  |  |  |  |  |  |  |  |   |   |   |   |   |   |   |   |   |   |   |   |    |   |        |   |   |   |   |   |   |   |   |   |    |   |        |   |   |   |   |   |   |   |   |   |    |   |        |   |   |   |   |   |   |   |   |   |    |       |       |   |   |   |   |   |   |   |       |   |    |       |       |   |   |   |   |   |   |   |       |   |    |       |       |   |   |   |   |   |   |   |       |   |    |       |       |   |   |   |   |   |   |   |       |   |    |       |       |   |   |   |   |   |   |   |       |   |    |       |       |   |   |   |   |   |   |   |       |   |    |       |       |       |   |   |   |   |   |   |       |   |    |      |       |       |   |   |   |   |   |   |       |   |    |      |       |       |   |   |   |   |   |   |       |   |    |   |   |       |   |   |   |   |   |   |       |   |    |   |   |       |   |   |   |   |   |   |       |   |    |   |   |       |       |   |   |   |   |   |       |   |    |   |   |       |       |   |   |   |   |   |       |   |    |   |   |   |       |   |   |   |   |   |       |   |    |   |   |   |       |   |   |   |   |   |       |   |    |   |   |   |       |   |   |   |   |   |       |   |    |   |   |   |       |   |   |   |   |   |       |   |    |   |   |   |       |       |   |   |   |   |       |   |    |   |   |   |   |       |   |   |   |   |       |   |    |   |   |   |   |       |       |   |   |   |       |   |    |   |   |   |   |   |       |   |   |   |       |   |    |   |   |   |   |   |       |   |   |   |       |   |    |   |   |   |   |   |   |   |   |       |       |   |     |   |   |   |   |   |   |   |   |       |       |   |     |   |   |   |   |   |   |   |   |       |       |   |     |   |   |   |   |   |   |   |   |   |       |   |     |   |   |   |   |   |   |   |   |   |       |   |     |   |   |   |   |   |   |   |   |   |      |   |
| 0 t  |       |         |       |        |       |             |   |      |       |       | 0 t - 640 t |      |  |  |  |  |  |  |  |  |  |  |      |     |  |  |  |  |  |  |  |  |  |  |             |                         |  |  |  |  |  |  |  |  |  |  |  |   |   |   |   |   |   |   |   |   |   |   |   |    |   |        |   |   |   |   |   |   |   |   |   |    |   |        |   |   |   |   |   |   |   |   |   |    |   |        |   |   |   |   |   |   |   |   |   |    |       |       |   |   |   |   |   |   |   |       |   |    |       |       |   |   |   |   |   |   |   |       |   |    |       |       |   |   |   |   |   |   |   |       |   |    |       |       |   |   |   |   |   |   |   |       |   |    |       |       |   |   |   |   |   |   |   |       |   |    |       |       |   |   |   |   |   |   |   |       |   |    |       |       |       |   |   |   |   |   |   |       |   |    |      |       |       |   |   |   |   |   |   |       |   |    |      |       |       |   |   |   |   |   |   |       |   |    |   |   |       |   |   |   |   |   |   |       |   |    |   |   |       |   |   |   |   |   |   |       |   |    |   |   |       |       |   |   |   |   |   |       |   |    |   |   |       |       |   |   |   |   |   |       |   |    |   |   |   |       |   |   |   |   |   |       |   |    |   |   |   |       |   |   |   |   |   |       |   |    |   |   |   |       |   |   |   |   |   |       |   |    |   |   |   |       |   |   |   |   |   |       |   |    |   |   |   |       |       |   |   |   |   |       |   |    |   |   |   |   |       |   |   |   |   |       |   |    |   |   |   |   |       |       |   |   |   |       |   |    |   |   |   |   |   |       |   |   |   |       |   |    |   |   |   |   |   |       |   |   |   |       |   |    |   |   |   |   |   |   |   |   |       |       |   |     |   |   |   |   |   |   |   |   |       |       |   |     |   |   |   |   |   |   |   |   |       |       |   |     |   |   |   |   |   |   |   |   |   |       |   |     |   |   |   |   |   |   |   |   |   |       |   |     |   |   |   |   |   |   |   |   |   |      |   |
| 85° 85° 75° 65° 55° 45°  |       |         |       |        |       |             |   |      |       |       |             |      |  |  |  |  |  |  |  |  |  |  |      |     |  |  |  |  |  |  |  |  |  |  |             |                         |  |  |  |  |  |  |  |  |  |  |  |   |   |   |   |   |   |   |   |   |   |   |   |    |   |        |   |   |   |   |   |   |   |   |   |    |   |        |   |   |   |   |   |   |   |   |   |    |   |        |   |   |   |   |   |   |   |   |   |    |       |       |   |   |   |   |   |   |   |       |   |    |       |       |   |   |   |   |   |   |   |       |   |    |       |       |   |   |   |   |   |   |   |       |   |    |       |       |   |   |   |   |   |   |   |       |   |    |       |       |   |   |   |   |   |   |   |       |   |    |       |       |   |   |   |   |   |   |   |       |   |    |       |       |       |   |   |   |   |   |   |       |   |    |      |       |       |   |   |   |   |   |   |       |   |    |      |       |       |   |   |   |   |   |   |       |   |    |   |   |       |   |   |   |   |   |   |       |   |    |   |   |       |   |   |   |   |   |   |       |   |    |   |   |       |       |   |   |   |   |   |       |   |    |   |   |       |       |   |   |   |   |   |       |   |    |   |   |   |       |   |   |   |   |   |       |   |    |   |   |   |       |   |   |   |   |   |       |   |    |   |   |   |       |   |   |   |   |   |       |   |    |   |   |   |       |   |   |   |   |   |       |   |    |   |   |   |       |       |   |   |   |   |       |   |    |   |   |   |   |       |   |   |   |   |       |   |    |   |   |   |   |       |       |   |   |   |       |   |    |   |   |   |   |   |       |   |   |   |       |   |    |   |   |   |   |   |       |   |   |   |       |   |    |   |   |   |   |   |   |   |   |       |       |   |     |   |   |   |   |   |   |   |   |       |       |   |     |   |   |   |   |   |   |   |   |       |       |   |     |   |   |   |   |   |   |   |   |   |       |   |     |   |   |   |   |   |   |   |   |   |       |   |     |   |   |   |   |   |   |   |   |   |      |   |
| m  | t     | t       | t     | t      | t     | t           | t | t    | t     | t     | t           |      |  |  |  |  |  |  |  |  |  |  |      |     |  |  |  |  |  |  |  |  |  |  |             |                         |  |  |  |  |  |  |  |  |  |  |  |   |   |   |   |   |   |   |   |   |   |   |   |    |   |        |   |   |   |   |   |   |   |   |   |    |   |        |   |   |   |   |   |   |   |   |   |    |   |        |   |   |   |   |   |   |   |   |   |    |       |       |   |   |   |   |   |   |   |       |   |    |       |       |   |   |   |   |   |   |   |       |   |    |       |       |   |   |   |   |   |   |   |       |   |    |       |       |   |   |   |   |   |   |   |       |   |    |       |       |   |   |   |   |   |   |   |       |   |    |       |       |   |   |   |   |   |   |   |       |   |    |       |       |       |   |   |   |   |   |   |       |   |    |      |       |       |   |   |   |   |   |   |       |   |    |      |       |       |   |   |   |   |   |   |       |   |    |   |   |       |   |   |   |   |   |   |       |   |    |   |   |       |   |   |   |   |   |   |       |   |    |   |   |       |       |   |   |   |   |   |       |   |    |   |   |       |       |   |   |   |   |   |       |   |    |   |   |   |       |   |   |   |   |   |       |   |    |   |   |   |       |   |   |   |   |   |       |   |    |   |   |   |       |   |   |   |   |   |       |   |    |   |   |   |       |   |   |   |   |   |       |   |    |   |   |   |       |       |   |   |   |   |       |   |    |   |   |   |   |       |   |   |   |   |       |   |    |   |   |   |   |       |       |   |   |   |       |   |    |   |   |   |   |   |       |   |   |   |       |   |    |   |   |   |   |   |       |   |   |   |       |   |    |   |   |   |   |   |   |   |   |       |       |   |     |   |   |   |   |   |   |   |   |       |       |   |     |   |   |   |   |   |   |   |   |       |       |   |     |   |   |   |   |   |   |   |   |   |       |   |     |   |   |   |   |   |   |   |   |   |       |   |     |   |   |   |   |   |   |   |   |   |      |   |
| 22   | -     | 362,0*  | -     | -      | -     | -           | - | -    | -     | -     | -           |      |  |  |  |  |  |  |  |  |  |  |      |     |  |  |  |  |  |  |  |  |  |  |             |                         |  |  |  |  |  |  |  |  |  |  |  |   |   |   |   |   |   |   |   |   |   |   |   |    |   |        |   |   |   |   |   |   |   |   |   |    |   |        |   |   |   |   |   |   |   |   |   |    |   |        |   |   |   |   |   |   |   |   |   |    |       |       |   |   |   |   |   |   |   |       |   |    |       |       |   |   |   |   |   |   |   |       |   |    |       |       |   |   |   |   |   |   |   |       |   |    |       |       |   |   |   |   |   |   |   |       |   |    |       |       |   |   |   |   |   |   |   |       |   |    |       |       |   |   |   |   |   |   |   |       |   |    |       |       |       |   |   |   |   |   |   |       |   |    |      |       |       |   |   |   |   |   |   |       |   |    |      |       |       |   |   |   |   |   |   |       |   |    |   |   |       |   |   |   |   |   |   |       |   |    |   |   |       |   |   |   |   |   |   |       |   |    |   |   |       |       |   |   |   |   |   |       |   |    |   |   |       |       |   |   |   |   |   |       |   |    |   |   |   |       |   |   |   |   |   |       |   |    |   |   |   |       |   |   |   |   |   |       |   |    |   |   |   |       |   |   |   |   |   |       |   |    |   |   |   |       |   |   |   |   |   |       |   |    |   |   |   |       |       |   |   |   |   |       |   |    |   |   |   |   |       |   |   |   |   |       |   |    |   |   |   |   |       |       |   |   |   |       |   |    |   |   |   |   |   |       |   |   |   |       |   |    |   |   |   |   |   |       |   |   |   |       |   |    |   |   |   |   |   |   |   |   |       |       |   |     |   |   |   |   |   |   |   |   |       |       |   |     |   |   |   |   |   |   |   |   |       |       |   |     |   |   |   |   |   |   |   |   |   |       |   |     |   |   |   |   |   |   |   |   |   |       |   |     |   |   |   |   |   |   |   |   |   |      |   |
| 24   | -     | 358,0*  | -     | -      | -     | -           | - | -    | -     | -     | -           |      |  |  |  |  |  |  |  |  |  |  |      |     |  |  |  |  |  |  |  |  |  |  |             |                         |  |  |  |  |  |  |  |  |  |  |  |   |   |   |   |   |   |   |   |   |   |   |   |    |   |        |   |   |   |   |   |   |   |   |   |    |   |        |   |   |   |   |   |   |   |   |   |    |   |        |   |   |   |   |   |   |   |   |   |    |       |       |   |   |   |   |   |   |   |       |   |    |       |       |   |   |   |   |   |   |   |       |   |    |       |       |   |   |   |   |   |   |   |       |   |    |       |       |   |   |   |   |   |   |   |       |   |    |       |       |   |   |   |   |   |   |   |       |   |    |       |       |   |   |   |   |   |   |   |       |   |    |       |       |       |   |   |   |   |   |   |       |   |    |      |       |       |   |   |   |   |   |   |       |   |    |      |       |       |   |   |   |   |   |   |       |   |    |   |   |       |   |   |   |   |   |   |       |   |    |   |   |       |   |   |   |   |   |   |       |   |    |   |   |       |       |   |   |   |   |   |       |   |    |   |   |       |       |   |   |   |   |   |       |   |    |   |   |   |       |   |   |   |   |   |       |   |    |   |   |   |       |   |   |   |   |   |       |   |    |   |   |   |       |   |   |   |   |   |       |   |    |   |   |   |       |   |   |   |   |   |       |   |    |   |   |   |       |       |   |   |   |   |       |   |    |   |   |   |   |       |   |   |   |   |       |   |    |   |   |   |   |       |       |   |   |   |       |   |    |   |   |   |   |   |       |   |   |   |       |   |    |   |   |   |   |   |       |   |   |   |       |   |    |   |   |   |   |   |   |   |   |       |       |   |     |   |   |   |   |   |   |   |   |       |       |   |     |   |   |   |   |   |   |   |   |       |       |   |     |   |   |   |   |   |   |   |   |   |       |   |     |   |   |   |   |   |   |   |   |   |       |   |     |   |   |   |   |   |   |   |   |   |      |   |
| 26   | -     | 349,0*  | -     | -      | -     | -           | - | -    | -     | -     | -           |      |  |  |  |  |  |  |  |  |  |  |      |     |  |  |  |  |  |  |  |  |  |  |             |                         |  |  |  |  |  |  |  |  |  |  |  |   |   |   |   |   |   |   |   |   |   |   |   |    |   |        |   |   |   |   |   |   |   |   |   |    |   |        |   |   |   |   |   |   |   |   |   |    |   |        |   |   |   |   |   |   |   |   |   |    |       |       |   |   |   |   |   |   |   |       |   |    |       |       |   |   |   |   |   |   |   |       |   |    |       |       |   |   |   |   |   |   |   |       |   |    |       |       |   |   |   |   |   |   |   |       |   |    |       |       |   |   |   |   |   |   |   |       |   |    |       |       |   |   |   |   |   |   |   |       |   |    |       |       |       |   |   |   |   |   |   |       |   |    |      |       |       |   |   |   |   |   |   |       |   |    |      |       |       |   |   |   |   |   |   |       |   |    |   |   |       |   |   |   |   |   |   |       |   |    |   |   |       |   |   |   |   |   |   |       |   |    |   |   |       |       |   |   |   |   |   |       |   |    |   |   |       |       |   |   |   |   |   |       |   |    |   |   |   |       |   |   |   |   |   |       |   |    |   |   |   |       |   |   |   |   |   |       |   |    |   |   |   |       |   |   |   |   |   |       |   |    |   |   |   |       |   |   |   |   |   |       |   |    |   |   |   |       |       |   |   |   |   |       |   |    |   |   |   |   |       |   |   |   |   |       |   |    |   |   |   |   |       |       |   |   |   |       |   |    |   |   |   |   |   |       |   |   |   |       |   |    |   |   |   |   |   |       |   |   |   |       |   |    |   |   |   |   |   |   |   |   |       |       |   |     |   |   |   |   |   |   |   |   |       |       |   |     |   |   |   |   |   |   |   |   |       |       |   |     |   |   |   |   |   |   |   |   |   |       |   |     |   |   |   |   |   |   |   |   |   |       |   |     |   |   |   |   |   |   |   |   |   |      |   |
| 28   | -     | 340,0   | -     | -      | -     | -           | - | -    | -     | -     | -           |      |  |  |  |  |  |  |  |  |  |  |      |     |  |  |  |  |  |  |  |  |  |  |             |                         |  |  |  |  |  |  |  |  |  |  |  |   |   |   |   |   |   |   |   |   |   |   |   |    |   |        |   |   |   |   |   |   |   |   |   |    |   |        |   |   |   |   |   |   |   |   |   |    |   |        |   |   |   |   |   |   |   |   |   |    |       |       |   |   |   |   |   |   |   |       |   |    |       |       |   |   |   |   |   |   |   |       |   |    |       |       |   |   |   |   |   |   |   |       |   |    |       |       |   |   |   |   |   |   |   |       |   |    |       |       |   |   |   |   |   |   |   |       |   |    |       |       |   |   |   |   |   |   |   |       |   |    |       |       |       |   |   |   |   |   |   |       |   |    |      |       |       |   |   |   |   |   |   |       |   |    |      |       |       |   |   |   |   |   |   |       |   |    |   |   |       |   |   |   |   |   |   |       |   |    |   |   |       |   |   |   |   |   |   |       |   |    |   |   |       |       |   |   |   |   |   |       |   |    |   |   |       |       |   |   |   |   |   |       |   |    |   |   |   |       |   |   |   |   |   |       |   |    |   |   |   |       |   |   |   |   |   |       |   |    |   |   |   |       |   |   |   |   |   |       |   |    |   |   |   |       |   |   |   |   |   |       |   |    |   |   |   |       |       |   |   |   |   |       |   |    |   |   |   |   |       |   |   |   |   |       |   |    |   |   |   |   |       |       |   |   |   |       |   |    |   |   |   |   |   |       |   |   |   |       |   |    |   |   |   |   |   |       |   |   |   |       |   |    |   |   |   |   |   |   |   |   |       |       |   |     |   |   |   |   |   |   |   |   |       |       |   |     |   |   |   |   |   |   |   |   |       |       |   |     |   |   |   |   |   |   |   |   |   |       |   |     |   |   |   |   |   |   |   |   |   |       |   |     |   |   |   |   |   |   |   |   |   |      |   |
| 30   | 186,0 | 377,0   | -     | -      | -     | -           | - | -    | -     | 368,0 | -           |      |  |  |  |  |  |  |  |  |  |  |      |     |  |  |  |  |  |  |  |  |  |  |             |                         |  |  |  |  |  |  |  |  |  |  |  |   |   |   |   |   |   |   |   |   |   |   |   |    |   |        |   |   |   |   |   |   |   |   |   |    |   |        |   |   |   |   |   |   |   |   |   |    |   |        |   |   |   |   |   |   |   |   |   |    |       |       |   |   |   |   |   |   |   |       |   |    |       |       |   |   |   |   |   |   |   |       |   |    |       |       |   |   |   |   |   |   |   |       |   |    |       |       |   |   |   |   |   |   |   |       |   |    |       |       |   |   |   |   |   |   |   |       |   |    |       |       |   |   |   |   |   |   |   |       |   |    |       |       |       |   |   |   |   |   |   |       |   |    |      |       |       |   |   |   |   |   |   |       |   |    |      |       |       |   |   |   |   |   |   |       |   |    |   |   |       |   |   |   |   |   |   |       |   |    |   |   |       |   |   |   |   |   |   |       |   |    |   |   |       |       |   |   |   |   |   |       |   |    |   |   |       |       |   |   |   |   |   |       |   |    |   |   |   |       |   |   |   |   |   |       |   |    |   |   |   |       |   |   |   |   |   |       |   |    |   |   |   |       |   |   |   |   |   |       |   |    |   |   |   |       |   |   |   |   |   |       |   |    |   |   |   |       |       |   |   |   |   |       |   |    |   |   |   |   |       |   |   |   |   |       |   |    |   |   |   |   |       |       |   |   |   |       |   |    |   |   |   |   |   |       |   |   |   |       |   |    |   |   |   |   |   |       |   |   |   |       |   |    |   |   |   |   |   |   |   |   |       |       |   |     |   |   |   |   |   |   |   |   |       |       |   |     |   |   |   |   |   |   |   |   |       |       |   |     |   |   |   |   |   |   |   |   |   |       |   |     |   |   |   |   |   |   |   |   |   |       |   |     |   |   |   |   |   |   |   |   |   |      |   |
| 34   | 163,0 | 364,0   | -     | -      | -     | -           | - | -    | -     | 368,0 | -           |      |  |  |  |  |  |  |  |  |  |  |      |     |  |  |  |  |  |  |  |  |  |  |             |                         |  |  |  |  |  |  |  |  |  |  |  |   |   |   |   |   |   |   |   |   |   |   |   |    |   |        |   |   |   |   |   |   |   |   |   |    |   |        |   |   |   |   |   |   |   |   |   |    |   |        |   |   |   |   |   |   |   |   |   |    |       |       |   |   |   |   |   |   |   |       |   |    |       |       |   |   |   |   |   |   |   |       |   |    |       |       |   |   |   |   |   |   |   |       |   |    |       |       |   |   |   |   |   |   |   |       |   |    |       |       |   |   |   |   |   |   |   |       |   |    |       |       |   |   |   |   |   |   |   |       |   |    |       |       |       |   |   |   |   |   |   |       |   |    |      |       |       |   |   |   |   |   |   |       |   |    |      |       |       |   |   |   |   |   |   |       |   |    |   |   |       |   |   |   |   |   |   |       |   |    |   |   |       |   |   |   |   |   |   |       |   |    |   |   |       |       |   |   |   |   |   |       |   |    |   |   |       |       |   |   |   |   |   |       |   |    |   |   |   |       |   |   |   |   |   |       |   |    |   |   |   |       |   |   |   |   |   |       |   |    |   |   |   |       |   |   |   |   |   |       |   |    |   |   |   |       |   |   |   |   |   |       |   |    |   |   |   |       |       |   |   |   |   |       |   |    |   |   |   |   |       |   |   |   |   |       |   |    |   |   |   |   |       |       |   |   |   |       |   |    |   |   |   |   |   |       |   |   |   |       |   |    |   |   |   |   |   |       |   |   |   |       |   |    |   |   |   |   |   |   |   |   |       |       |   |     |   |   |   |   |   |   |   |   |       |       |   |     |   |   |   |   |   |   |   |   |       |       |   |     |   |   |   |   |   |   |   |   |   |       |   |     |   |   |   |   |   |   |   |   |   |       |   |     |   |   |   |   |   |   |   |   |   |      |   |
| 38   | 145,0 | 351,0   | -     | -      | -     | -           | - | -    | -     | 368,0 | -           |      |  |  |  |  |  |  |  |  |  |  |      |     |  |  |  |  |  |  |  |  |  |  |             |                         |  |  |  |  |  |  |  |  |  |  |  |   |   |   |   |   |   |   |   |   |   |   |   |    |   |        |   |   |   |   |   |   |   |   |   |    |   |        |   |   |   |   |   |   |   |   |   |    |   |        |   |   |   |   |   |   |   |   |   |    |       |       |   |   |   |   |   |   |   |       |   |    |       |       |   |   |   |   |   |   |   |       |   |    |       |       |   |   |   |   |   |   |   |       |   |    |       |       |   |   |   |   |   |   |   |       |   |    |       |       |   |   |   |   |   |   |   |       |   |    |       |       |   |   |   |   |   |   |   |       |   |    |       |       |       |   |   |   |   |   |   |       |   |    |      |       |       |   |   |   |   |   |   |       |   |    |      |       |       |   |   |   |   |   |   |       |   |    |   |   |       |   |   |   |   |   |   |       |   |    |   |   |       |   |   |   |   |   |   |       |   |    |   |   |       |       |   |   |   |   |   |       |   |    |   |   |       |       |   |   |   |   |   |       |   |    |   |   |   |       |   |   |   |   |   |       |   |    |   |   |   |       |   |   |   |   |   |       |   |    |   |   |   |       |   |   |   |   |   |       |   |    |   |   |   |       |   |   |   |   |   |       |   |    |   |   |   |       |       |   |   |   |   |       |   |    |   |   |   |   |       |   |   |   |   |       |   |    |   |   |   |   |       |       |   |   |   |       |   |    |   |   |   |   |   |       |   |   |   |       |   |    |   |   |   |   |   |       |   |   |   |       |   |    |   |   |   |   |   |   |   |   |       |       |   |     |   |   |   |   |   |   |   |   |       |       |   |     |   |   |   |   |   |   |   |   |       |       |   |     |   |   |   |   |   |   |   |   |   |       |   |     |   |   |   |   |   |   |   |   |   |       |   |     |   |   |   |   |   |   |   |   |   |      |   |
| 42   | 129,0 | 338,0   | -     | -      | -     | -           | - | -    | -     | 368,0 | -           |      |  |  |  |  |  |  |  |  |  |  |      |     |  |  |  |  |  |  |  |  |  |  |             |                         |  |  |  |  |  |  |  |  |  |  |  |   |   |   |   |   |   |   |   |   |   |   |   |    |   |        |   |   |   |   |   |   |   |   |   |    |   |        |   |   |   |   |   |   |   |   |   |    |   |        |   |   |   |   |   |   |   |   |   |    |       |       |   |   |   |   |   |   |   |       |   |    |       |       |   |   |   |   |   |   |   |       |   |    |       |       |   |   |   |   |   |   |   |       |   |    |       |       |   |   |   |   |   |   |   |       |   |    |       |       |   |   |   |   |   |   |   |       |   |    |       |       |   |   |   |   |   |   |   |       |   |    |       |       |       |   |   |   |   |   |   |       |   |    |      |       |       |   |   |   |   |   |   |       |   |    |      |       |       |   |   |   |   |   |   |       |   |    |   |   |       |   |   |   |   |   |   |       |   |    |   |   |       |   |   |   |   |   |   |       |   |    |   |   |       |       |   |   |   |   |   |       |   |    |   |   |       |       |   |   |   |   |   |       |   |    |   |   |   |       |   |   |   |   |   |       |   |    |   |   |   |       |   |   |   |   |   |       |   |    |   |   |   |       |   |   |   |   |   |       |   |    |   |   |   |       |   |   |   |   |   |       |   |    |   |   |   |       |       |   |   |   |   |       |   |    |   |   |   |   |       |   |   |   |   |       |   |    |   |   |   |   |       |       |   |   |   |       |   |    |   |   |   |   |   |       |   |   |   |       |   |    |   |   |   |   |   |       |   |   |   |       |   |    |   |   |   |   |   |   |   |   |       |       |   |     |   |   |   |   |   |   |   |   |       |       |   |     |   |   |   |   |   |   |   |   |       |       |   |     |   |   |   |   |   |   |   |   |   |       |   |     |   |   |   |   |   |   |   |   |   |       |   |     |   |   |   |   |   |   |   |   |   |      |   |
| 46   | 116,0 | 326,0   | -     | -      | -     | -           | - | -    | -     | 367,0 | -           |      |  |  |  |  |  |  |  |  |  |  |      |     |  |  |  |  |  |  |  |  |  |  |             |                         |  |  |  |  |  |  |  |  |  |  |  |   |   |   |   |   |   |   |   |   |   |   |   |    |   |        |   |   |   |   |   |   |   |   |   |    |   |        |   |   |   |   |   |   |   |   |   |    |   |        |   |   |   |   |   |   |   |   |   |    |       |       |   |   |   |   |   |   |   |       |   |    |       |       |   |   |   |   |   |   |   |       |   |    |       |       |   |   |   |   |   |   |   |       |   |    |       |       |   |   |   |   |   |   |   |       |   |    |       |       |   |   |   |   |   |   |   |       |   |    |       |       |   |   |   |   |   |   |   |       |   |    |       |       |       |   |   |   |   |   |   |       |   |    |      |       |       |   |   |   |   |   |   |       |   |    |      |       |       |   |   |   |   |   |   |       |   |    |   |   |       |   |   |   |   |   |   |       |   |    |   |   |       |   |   |   |   |   |   |       |   |    |   |   |       |       |   |   |   |   |   |       |   |    |   |   |       |       |   |   |   |   |   |       |   |    |   |   |   |       |   |   |   |   |   |       |   |    |   |   |   |       |   |   |   |   |   |       |   |    |   |   |   |       |   |   |   |   |   |       |   |    |   |   |   |       |   |   |   |   |   |       |   |    |   |   |   |       |       |   |   |   |   |       |   |    |   |   |   |   |       |   |   |   |   |       |   |    |   |   |   |   |       |       |   |   |   |       |   |    |   |   |   |   |   |       |   |   |   |       |   |    |   |   |   |   |   |       |   |   |   |       |   |    |   |   |   |   |   |   |   |   |       |       |   |     |   |   |   |   |   |   |   |   |       |       |   |     |   |   |   |   |   |   |   |   |       |       |   |     |   |   |   |   |   |   |   |   |   |       |   |     |   |   |   |   |   |   |   |   |   |       |   |     |   |   |   |   |   |   |   |   |   |      |   |
| 50   | 103,0 | 292,0   | 386,0 | -      | -     | -           | - | -    | -     | 355,0 | -           |      |  |  |  |  |  |  |  |  |  |  |      |     |  |  |  |  |  |  |  |  |  |  |             |                         |  |  |  |  |  |  |  |  |  |  |  |   |   |   |   |   |   |   |   |   |   |   |   |    |   |        |   |   |   |   |   |   |   |   |   |    |   |        |   |   |   |   |   |   |   |   |   |    |   |        |   |   |   |   |   |   |   |   |   |    |       |       |   |   |   |   |   |   |   |       |   |    |       |       |   |   |   |   |   |   |   |       |   |    |       |       |   |   |   |   |   |   |   |       |   |    |       |       |   |   |   |   |   |   |   |       |   |    |       |       |   |   |   |   |   |   |   |       |   |    |       |       |   |   |   |   |   |   |   |       |   |    |       |       |       |   |   |   |   |   |   |       |   |    |      |       |       |   |   |   |   |   |   |       |   |    |      |       |       |   |   |   |   |   |   |       |   |    |   |   |       |   |   |   |   |   |   |       |   |    |   |   |       |   |   |   |   |   |   |       |   |    |   |   |       |       |   |   |   |   |   |       |   |    |   |   |       |       |   |   |   |   |   |       |   |    |   |   |   |       |   |   |   |   |   |       |   |    |   |   |   |       |   |   |   |   |   |       |   |    |   |   |   |       |   |   |   |   |   |       |   |    |   |   |   |       |   |   |   |   |   |       |   |    |   |   |   |       |       |   |   |   |   |       |   |    |   |   |   |   |       |   |   |   |   |       |   |    |   |   |   |   |       |       |   |   |   |       |   |    |   |   |   |   |   |       |   |   |   |       |   |    |   |   |   |   |   |       |   |   |   |       |   |    |   |   |   |   |   |   |   |   |       |       |   |     |   |   |   |   |   |   |   |   |       |       |   |     |   |   |   |   |   |   |   |   |       |       |   |     |   |   |   |   |   |   |   |   |   |       |   |     |   |   |   |   |   |   |   |   |   |       |   |     |   |   |   |   |   |   |   |   |   |      |   |
| 54   | 92,0  | 260,0   | 379,0 | -      | -     | -           | - | -    | -     | 339,0 | -           |      |  |  |  |  |  |  |  |  |  |  |      |     |  |  |  |  |  |  |  |  |  |  |             |                         |  |  |  |  |  |  |  |  |  |  |  |   |   |   |   |   |   |   |   |   |   |   |   |    |   |        |   |   |   |   |   |   |   |   |   |    |   |        |   |   |   |   |   |   |   |   |   |    |   |        |   |   |   |   |   |   |   |   |   |    |       |       |   |   |   |   |   |   |   |       |   |    |       |       |   |   |   |   |   |   |   |       |   |    |       |       |   |   |   |   |   |   |   |       |   |    |       |       |   |   |   |   |   |   |   |       |   |    |       |       |   |   |   |   |   |   |   |       |   |    |       |       |   |   |   |   |   |   |   |       |   |    |       |       |       |   |   |   |   |   |   |       |   |    |      |       |       |   |   |   |   |   |   |       |   |    |      |       |       |   |   |   |   |   |   |       |   |    |   |   |       |   |   |   |   |   |   |       |   |    |   |   |       |   |   |   |   |   |   |       |   |    |   |   |       |       |   |   |   |   |   |       |   |    |   |   |       |       |   |   |   |   |   |       |   |    |   |   |   |       |   |   |   |   |   |       |   |    |   |   |   |       |   |   |   |   |   |       |   |    |   |   |   |       |   |   |   |   |   |       |   |    |   |   |   |       |   |   |   |   |   |       |   |    |   |   |   |       |       |   |   |   |   |       |   |    |   |   |   |   |       |   |   |   |   |       |   |    |   |   |   |   |       |       |   |   |   |       |   |    |   |   |   |   |   |       |   |   |   |       |   |    |   |   |   |   |   |       |   |   |   |       |   |    |   |   |   |   |   |   |   |   |       |       |   |     |   |   |   |   |   |   |   |   |       |       |   |     |   |   |   |   |   |   |   |   |       |       |   |     |   |   |   |   |   |   |   |   |   |       |   |     |   |   |   |   |   |   |   |   |   |       |   |     |   |   |   |   |   |   |   |   |   |      |   |
| 56   | 87,0  | 240,0   | 370,0 | -      | -     | -           | - | -    | -     | 333,0 | -           |      |  |  |  |  |  |  |  |  |  |  |      |     |  |  |  |  |  |  |  |  |  |  |             |                         |  |  |  |  |  |  |  |  |  |  |  |   |   |   |   |   |   |   |   |   |   |   |   |    |   |        |   |   |   |   |   |   |   |   |   |    |   |        |   |   |   |   |   |   |   |   |   |    |   |        |   |   |   |   |   |   |   |   |   |    |       |       |   |   |   |   |   |   |   |       |   |    |       |       |   |   |   |   |   |   |   |       |   |    |       |       |   |   |   |   |   |   |   |       |   |    |       |       |   |   |   |   |   |   |   |       |   |    |       |       |   |   |   |   |   |   |   |       |   |    |       |       |   |   |   |   |   |   |   |       |   |    |       |       |       |   |   |   |   |   |   |       |   |    |      |       |       |   |   |   |   |   |   |       |   |    |      |       |       |   |   |   |   |   |   |       |   |    |   |   |       |   |   |   |   |   |   |       |   |    |   |   |       |   |   |   |   |   |   |       |   |    |   |   |       |       |   |   |   |   |   |       |   |    |   |   |       |       |   |   |   |   |   |       |   |    |   |   |   |       |   |   |   |   |   |       |   |    |   |   |   |       |   |   |   |   |   |       |   |    |   |   |   |       |   |   |   |   |   |       |   |    |   |   |   |       |   |   |   |   |   |       |   |    |   |   |   |       |       |   |   |   |   |       |   |    |   |   |   |   |       |   |   |   |   |       |   |    |   |   |   |   |       |       |   |   |   |       |   |    |   |   |   |   |   |       |   |   |   |       |   |    |   |   |   |   |   |       |   |   |   |       |   |    |   |   |   |   |   |   |   |   |       |       |   |     |   |   |   |   |   |   |   |   |       |       |   |     |   |   |   |   |   |   |   |   |       |       |   |     |   |   |   |   |   |   |   |   |   |       |   |     |   |   |   |   |   |   |   |   |   |       |   |     |   |   |   |   |   |   |   |   |   |      |   |
| 58   | -     | -       | 348,0 | -      | -     | -           | - | -    | -     | 327,0 | -           |      |  |  |  |  |  |  |  |  |  |  |      |     |  |  |  |  |  |  |  |  |  |  |             |                         |  |  |  |  |  |  |  |  |  |  |  |   |   |   |   |   |   |   |   |   |   |   |   |    |   |        |   |   |   |   |   |   |   |   |   |    |   |        |   |   |   |   |   |   |   |   |   |    |   |        |   |   |   |   |   |   |   |   |   |    |       |       |   |   |   |   |   |   |   |       |   |    |       |       |   |   |   |   |   |   |   |       |   |    |       |       |   |   |   |   |   |   |   |       |   |    |       |       |   |   |   |   |   |   |   |       |   |    |       |       |   |   |   |   |   |   |   |       |   |    |       |       |   |   |   |   |   |   |   |       |   |    |       |       |       |   |   |   |   |   |   |       |   |    |      |       |       |   |   |   |   |   |   |       |   |    |      |       |       |   |   |   |   |   |   |       |   |    |   |   |       |   |   |   |   |   |   |       |   |    |   |   |       |   |   |   |   |   |   |       |   |    |   |   |       |       |   |   |   |   |   |       |   |    |   |   |       |       |   |   |   |   |   |       |   |    |   |   |   |       |   |   |   |   |   |       |   |    |   |   |   |       |   |   |   |   |   |       |   |    |   |   |   |       |   |   |   |   |   |       |   |    |   |   |   |       |   |   |   |   |   |       |   |    |   |   |   |       |       |   |   |   |   |       |   |    |   |   |   |   |       |   |   |   |   |       |   |    |   |   |   |   |       |       |   |   |   |       |   |    |   |   |   |   |   |       |   |   |   |       |   |    |   |   |   |   |   |       |   |   |   |       |   |    |   |   |   |   |   |   |   |   |       |       |   |     |   |   |   |   |   |   |   |   |       |       |   |     |   |   |   |   |   |   |   |   |       |       |   |     |   |   |   |   |   |   |   |   |   |       |   |     |   |   |   |   |   |   |   |   |   |       |   |     |   |   |   |   |   |   |   |   |   |      |   |
| 62   | -     | -       | 305,0 | -      | -     | -           | - | -    | -     | 310,0 | -           |      |  |  |  |  |  |  |  |  |  |  |      |     |  |  |  |  |  |  |  |  |  |  |             |                         |  |  |  |  |  |  |  |  |  |  |  |   |   |   |   |   |   |   |   |   |   |   |   |    |   |        |   |   |   |   |   |   |   |   |   |    |   |        |   |   |   |   |   |   |   |   |   |    |   |        |   |   |   |   |   |   |   |   |   |    |       |       |   |   |   |   |   |   |   |       |   |    |       |       |   |   |   |   |   |   |   |       |   |    |       |       |   |   |   |   |   |   |   |       |   |    |       |       |   |   |   |   |   |   |   |       |   |    |       |       |   |   |   |   |   |   |   |       |   |    |       |       |   |   |   |   |   |   |   |       |   |    |       |       |       |   |   |   |   |   |   |       |   |    |      |       |       |   |   |   |   |   |   |       |   |    |      |       |       |   |   |   |   |   |   |       |   |    |   |   |       |   |   |   |   |   |   |       |   |    |   |   |       |   |   |   |   |   |   |       |   |    |   |   |       |       |   |   |   |   |   |       |   |    |   |   |       |       |   |   |   |   |   |       |   |    |   |   |   |       |   |   |   |   |   |       |   |    |   |   |   |       |   |   |   |   |   |       |   |    |   |   |   |       |   |   |   |   |   |       |   |    |   |   |   |       |   |   |   |   |   |       |   |    |   |   |   |       |       |   |   |   |   |       |   |    |   |   |   |   |       |   |   |   |   |       |   |    |   |   |   |   |       |       |   |   |   |       |   |    |   |   |   |   |   |       |   |   |   |       |   |    |   |   |   |   |   |       |   |   |   |       |   |    |   |   |   |   |   |   |   |   |       |       |   |     |   |   |   |   |   |   |   |   |       |       |   |     |   |   |   |   |   |   |   |   |       |       |   |     |   |   |   |   |   |   |   |   |   |       |   |     |   |   |   |   |   |   |   |   |   |       |   |     |   |   |   |   |   |   |   |   |   |      |   |
| 66   | -     | -       | 271,0 | -      | -     | -           | - | -    | -     | 284,0 | -           |      |  |  |  |  |  |  |  |  |  |  |      |     |  |  |  |  |  |  |  |  |  |  |             |                         |  |  |  |  |  |  |  |  |  |  |  |   |   |   |   |   |   |   |   |   |   |   |   |    |   |        |   |   |   |   |   |   |   |   |   |    |   |        |   |   |   |   |   |   |   |   |   |    |   |        |   |   |   |   |   |   |   |   |   |    |       |       |   |   |   |   |   |   |   |       |   |    |       |       |   |   |   |   |   |   |   |       |   |    |       |       |   |   |   |   |   |   |   |       |   |    |       |       |   |   |   |   |   |   |   |       |   |    |       |       |   |   |   |   |   |   |   |       |   |    |       |       |   |   |   |   |   |   |   |       |   |    |       |       |       |   |   |   |   |   |   |       |   |    |      |       |       |   |   |   |   |   |   |       |   |    |      |       |       |   |   |   |   |   |   |       |   |    |   |   |       |   |   |   |   |   |   |       |   |    |   |   |       |   |   |   |   |   |   |       |   |    |   |   |       |       |   |   |   |   |   |       |   |    |   |   |       |       |   |   |   |   |   |       |   |    |   |   |   |       |   |   |   |   |   |       |   |    |   |   |   |       |   |   |   |   |   |       |   |    |   |   |   |       |   |   |   |   |   |       |   |    |   |   |   |       |   |   |   |   |   |       |   |    |   |   |   |       |       |   |   |   |   |       |   |    |   |   |   |   |       |   |   |   |   |       |   |    |   |   |   |   |       |       |   |   |   |       |   |    |   |   |   |   |   |       |   |   |   |       |   |    |   |   |   |   |   |       |   |   |   |       |   |    |   |   |   |   |   |   |   |   |       |       |   |     |   |   |   |   |   |   |   |   |       |       |   |     |   |   |   |   |   |   |   |   |       |       |   |     |   |   |   |   |   |   |   |   |   |       |   |     |   |   |   |   |   |   |   |   |   |       |   |     |   |   |   |   |   |   |   |   |   |      |   |
| 68   | -     | -       | 257,0 | -      | -     | -           | - | -    | -     | 272,0 | -           |      |  |  |  |  |  |  |  |  |  |  |      |     |  |  |  |  |  |  |  |  |  |  |             |                         |  |  |  |  |  |  |  |  |  |  |  |   |   |   |   |   |   |   |   |   |   |   |   |    |   |        |   |   |   |   |   |   |   |   |   |    |   |        |   |   |   |   |   |   |   |   |   |    |   |        |   |   |   |   |   |   |   |   |   |    |       |       |   |   |   |   |   |   |   |       |   |    |       |       |   |   |   |   |   |   |   |       |   |    |       |       |   |   |   |   |   |   |   |       |   |    |       |       |   |   |   |   |   |   |   |       |   |    |       |       |   |   |   |   |   |   |   |       |   |    |       |       |   |   |   |   |   |   |   |       |   |    |       |       |       |   |   |   |   |   |   |       |   |    |      |       |       |   |   |   |   |   |   |       |   |    |      |       |       |   |   |   |   |   |   |       |   |    |   |   |       |   |   |   |   |   |   |       |   |    |   |   |       |   |   |   |   |   |   |       |   |    |   |   |       |       |   |   |   |   |   |       |   |    |   |   |       |       |   |   |   |   |   |       |   |    |   |   |   |       |   |   |   |   |   |       |   |    |   |   |   |       |   |   |   |   |   |       |   |    |   |   |   |       |   |   |   |   |   |       |   |    |   |   |   |       |   |   |   |   |   |       |   |    |   |   |   |       |       |   |   |   |   |       |   |    |   |   |   |   |       |   |   |   |   |       |   |    |   |   |   |   |       |       |   |   |   |       |   |    |   |   |   |   |   |       |   |   |   |       |   |    |   |   |   |   |   |       |   |   |   |       |   |    |   |   |   |   |   |   |   |   |       |       |   |     |   |   |   |   |   |   |   |   |       |       |   |     |   |   |   |   |   |   |   |   |       |       |   |     |   |   |   |   |   |   |   |   |   |       |   |     |   |   |   |   |   |   |   |   |   |       |   |     |   |   |   |   |   |   |   |   |   |      |   |
| 69   | -     | -       | -     | 268,0  | -     | -           | - | -    | -     | 266,0 | -           |      |  |  |  |  |  |  |  |  |  |  |      |     |  |  |  |  |  |  |  |  |  |  |             |                         |  |  |  |  |  |  |  |  |  |  |  |   |   |   |   |   |   |   |   |   |   |   |   |    |   |        |   |   |   |   |   |   |   |   |   |    |   |        |   |   |   |   |   |   |   |   |   |    |   |        |   |   |   |   |   |   |   |   |   |    |       |       |   |   |   |   |   |   |   |       |   |    |       |       |   |   |   |   |   |   |   |       |   |    |       |       |   |   |   |   |   |   |   |       |   |    |       |       |   |   |   |   |   |   |   |       |   |    |       |       |   |   |   |   |   |   |   |       |   |    |       |       |   |   |   |   |   |   |   |       |   |    |       |       |       |   |   |   |   |   |   |       |   |    |      |       |       |   |   |   |   |   |   |       |   |    |      |       |       |   |   |   |   |   |   |       |   |    |   |   |       |   |   |   |   |   |   |       |   |    |   |   |       |   |   |   |   |   |   |       |   |    |   |   |       |       |   |   |   |   |   |       |   |    |   |   |       |       |   |   |   |   |   |       |   |    |   |   |   |       |   |   |   |   |   |       |   |    |   |   |   |       |   |   |   |   |   |       |   |    |   |   |   |       |   |   |   |   |   |       |   |    |   |   |   |       |   |   |   |   |   |       |   |    |   |   |   |       |       |   |   |   |   |       |   |    |   |   |   |   |       |   |   |   |   |       |   |    |   |   |   |   |       |       |   |   |   |       |   |    |   |   |   |   |   |       |   |   |   |       |   |    |   |   |   |   |   |       |   |   |   |       |   |    |   |   |   |   |   |   |   |   |       |       |   |     |   |   |   |   |   |   |   |   |       |       |   |     |   |   |   |   |   |   |   |   |       |       |   |     |   |   |   |   |   |   |   |   |   |       |   |     |   |   |   |   |   |   |   |   |   |       |   |     |   |   |   |   |   |   |   |   |   |      |   |
| 70   | -     | -       | -     | 264,0  | -     | -           | - | -    | -     | 260,0 | -           |      |  |  |  |  |  |  |  |  |  |  |      |     |  |  |  |  |  |  |  |  |  |  |             |                         |  |  |  |  |  |  |  |  |  |  |  |   |   |   |   |   |   |   |   |   |   |   |   |    |   |        |   |   |   |   |   |   |   |   |   |    |   |        |   |   |   |   |   |   |   |   |   |    |   |        |   |   |   |   |   |   |   |   |   |    |       |       |   |   |   |   |   |   |   |       |   |    |       |       |   |   |   |   |   |   |   |       |   |    |       |       |   |   |   |   |   |   |   |       |   |    |       |       |   |   |   |   |   |   |   |       |   |    |       |       |   |   |   |   |   |   |   |       |   |    |       |       |   |   |   |   |   |   |   |       |   |    |       |       |       |   |   |   |   |   |   |       |   |    |      |       |       |   |   |   |   |   |   |       |   |    |      |       |       |   |   |   |   |   |   |       |   |    |   |   |       |   |   |   |   |   |   |       |   |    |   |   |       |   |   |   |   |   |   |       |   |    |   |   |       |       |   |   |   |   |   |       |   |    |   |   |       |       |   |   |   |   |   |       |   |    |   |   |   |       |   |   |   |   |   |       |   |    |   |   |   |       |   |   |   |   |   |       |   |    |   |   |   |       |   |   |   |   |   |       |   |    |   |   |   |       |   |   |   |   |   |       |   |    |   |   |   |       |       |   |   |   |   |       |   |    |   |   |   |   |       |   |   |   |   |       |   |    |   |   |   |   |       |       |   |   |   |       |   |    |   |   |   |   |   |       |   |   |   |       |   |    |   |   |   |   |   |       |   |   |   |       |   |    |   |   |   |   |   |   |   |   |       |       |   |     |   |   |   |   |   |   |   |   |       |       |   |     |   |   |   |   |   |   |   |   |       |       |   |     |   |   |   |   |   |   |   |   |   |       |   |     |   |   |   |   |   |   |   |   |   |       |   |     |   |   |   |   |   |   |   |   |   |      |   |
| 74   | -     | -       | -     | 247,0  | -     | -           | - | -    | -     | 239,0 | -           |      |  |  |  |  |  |  |  |  |  |  |      |     |  |  |  |  |  |  |  |  |  |  |             |                         |  |  |  |  |  |  |  |  |  |  |  |   |   |   |   |   |   |   |   |   |   |   |   |    |   |        |   |   |   |   |   |   |   |   |   |    |   |        |   |   |   |   |   |   |   |   |   |    |   |        |   |   |   |   |   |   |   |   |   |    |       |       |   |   |   |   |   |   |   |       |   |    |       |       |   |   |   |   |   |   |   |       |   |    |       |       |   |   |   |   |   |   |   |       |   |    |       |       |   |   |   |   |   |   |   |       |   |    |       |       |   |   |   |   |   |   |   |       |   |    |       |       |   |   |   |   |   |   |   |       |   |    |       |       |       |   |   |   |   |   |   |       |   |    |      |       |       |   |   |   |   |   |   |       |   |    |      |       |       |   |   |   |   |   |   |       |   |    |   |   |       |   |   |   |   |   |   |       |   |    |   |   |       |   |   |   |   |   |   |       |   |    |   |   |       |       |   |   |   |   |   |       |   |    |   |   |       |       |   |   |   |   |   |       |   |    |   |   |   |       |   |   |   |   |   |       |   |    |   |   |   |       |   |   |   |   |   |       |   |    |   |   |   |       |   |   |   |   |   |       |   |    |   |   |   |       |   |   |   |   |   |       |   |    |   |   |   |       |       |   |   |   |   |       |   |    |   |   |   |   |       |   |   |   |   |       |   |    |   |   |   |   |       |       |   |   |   |       |   |    |   |   |   |   |   |       |   |   |   |       |   |    |   |   |   |   |   |       |   |   |   |       |   |    |   |   |   |   |   |   |   |   |       |       |   |     |   |   |   |   |   |   |   |   |       |       |   |     |   |   |   |   |   |   |   |   |       |       |   |     |   |   |   |   |   |   |   |   |   |       |   |     |   |   |   |   |   |   |   |   |   |       |   |     |   |   |   |   |   |   |   |   |   |      |   |
| 78   | -     | -       | -     | 232,0  | -     | -           | - | -    | -     | 220,0 | -           |      |  |  |  |  |  |  |  |  |  |  |      |     |  |  |  |  |  |  |  |  |  |  |             |                         |  |  |  |  |  |  |  |  |  |  |  |   |   |   |   |   |   |   |   |   |   |   |   |    |   |        |   |   |   |   |   |   |   |   |   |    |   |        |   |   |   |   |   |   |   |   |   |    |   |        |   |   |   |   |   |   |   |   |   |    |       |       |   |   |   |   |   |   |   |       |   |    |       |       |   |   |   |   |   |   |   |       |   |    |       |       |   |   |   |   |   |   |   |       |   |    |       |       |   |   |   |   |   |   |   |       |   |    |       |       |   |   |   |   |   |   |   |       |   |    |       |       |   |   |   |   |   |   |   |       |   |    |       |       |       |   |   |   |   |   |   |       |   |    |      |       |       |   |   |   |   |   |   |       |   |    |      |       |       |   |   |   |   |   |   |       |   |    |   |   |       |   |   |   |   |   |   |       |   |    |   |   |       |   |   |   |   |   |   |       |   |    |   |   |       |       |   |   |   |   |   |       |   |    |   |   |       |       |   |   |   |   |   |       |   |    |   |   |   |       |   |   |   |   |   |       |   |    |   |   |   |       |   |   |   |   |   |       |   |    |   |   |   |       |   |   |   |   |   |       |   |    |   |   |   |       |   |   |   |   |   |       |   |    |   |   |   |       |       |   |   |   |   |       |   |    |   |   |   |   |       |   |   |   |   |       |   |    |   |   |   |   |       |       |   |   |   |       |   |    |   |   |   |   |   |       |   |   |   |       |   |    |   |   |   |   |   |       |   |   |   |       |   |    |   |   |   |   |   |   |   |   |       |       |   |     |   |   |   |   |   |   |   |   |       |       |   |     |   |   |   |   |   |   |   |   |       |       |   |     |   |   |   |   |   |   |   |   |   |       |   |     |   |   |   |   |   |   |   |   |   |       |   |     |   |   |   |   |   |   |   |   |   |      |   |
| 82   | -     | -       | -     | 219,0  | -     | -           | - | -    | -     | 203,0 | -           |      |  |  |  |  |  |  |  |  |  |  |      |     |  |  |  |  |  |  |  |  |  |  |             |                         |  |  |  |  |  |  |  |  |  |  |  |   |   |   |   |   |   |   |   |   |   |   |   |    |   |        |   |   |   |   |   |   |   |   |   |    |   |        |   |   |   |   |   |   |   |   |   |    |   |        |   |   |   |   |   |   |   |   |   |    |       |       |   |   |   |   |   |   |   |       |   |    |       |       |   |   |   |   |   |   |   |       |   |    |       |       |   |   |   |   |   |   |   |       |   |    |       |       |   |   |   |   |   |   |   |       |   |    |       |       |   |   |   |   |   |   |   |       |   |    |       |       |   |   |   |   |   |   |   |       |   |    |       |       |       |   |   |   |   |   |   |       |   |    |      |       |       |   |   |   |   |   |   |       |   |    |      |       |       |   |   |   |   |   |   |       |   |    |   |   |       |   |   |   |   |   |   |       |   |    |   |   |       |   |   |   |   |   |   |       |   |    |   |   |       |       |   |   |   |   |   |       |   |    |   |   |       |       |   |   |   |   |   |       |   |    |   |   |   |       |   |   |   |   |   |       |   |    |   |   |   |       |   |   |   |   |   |       |   |    |   |   |   |       |   |   |   |   |   |       |   |    |   |   |   |       |   |   |   |   |   |       |   |    |   |   |   |       |       |   |   |   |   |       |   |    |   |   |   |   |       |   |   |   |   |       |   |    |   |   |   |   |       |       |   |   |   |       |   |    |   |   |   |   |   |       |   |   |   |       |   |    |   |   |   |   |   |       |   |   |   |       |   |    |   |   |   |   |   |   |   |   |       |       |   |     |   |   |   |   |   |   |   |   |       |       |   |     |   |   |   |   |   |   |   |   |       |       |   |     |   |   |   |   |   |   |   |   |   |       |   |     |   |   |   |   |   |   |   |   |   |       |   |     |   |   |   |   |   |   |   |   |   |      |   |
| 86   | -     | -       | -     | -      | -     | -           | - | -    | -     | 188,0 | -           |      |  |  |  |  |  |  |  |  |  |  |      |     |  |  |  |  |  |  |  |  |  |  |             |                         |  |  |  |  |  |  |  |  |  |  |  |   |   |   |   |   |   |   |   |   |   |   |   |    |   |        |   |   |   |   |   |   |   |   |   |    |   |        |   |   |   |   |   |   |   |   |   |    |   |        |   |   |   |   |   |   |   |   |   |    |       |       |   |   |   |   |   |   |   |       |   |    |       |       |   |   |   |   |   |   |   |       |   |    |       |       |   |   |   |   |   |   |   |       |   |    |       |       |   |   |   |   |   |   |   |       |   |    |       |       |   |   |   |   |   |   |   |       |   |    |       |       |   |   |   |   |   |   |   |       |   |    |       |       |       |   |   |   |   |   |   |       |   |    |      |       |       |   |   |   |   |   |   |       |   |    |      |       |       |   |   |   |   |   |   |       |   |    |   |   |       |   |   |   |   |   |   |       |   |    |   |   |       |   |   |   |   |   |   |       |   |    |   |   |       |       |   |   |   |   |   |       |   |    |   |   |       |       |   |   |   |   |   |       |   |    |   |   |   |       |   |   |   |   |   |       |   |    |   |   |   |       |   |   |   |   |   |       |   |    |   |   |   |       |   |   |   |   |   |       |   |    |   |   |   |       |   |   |   |   |   |       |   |    |   |   |   |       |       |   |   |   |   |       |   |    |   |   |   |   |       |   |   |   |   |       |   |    |   |   |   |   |       |       |   |   |   |       |   |    |   |   |   |   |   |       |   |   |   |       |   |    |   |   |   |   |   |       |   |   |   |       |   |    |   |   |   |   |   |   |   |   |       |       |   |     |   |   |   |   |   |   |   |   |       |       |   |     |   |   |   |   |   |   |   |   |       |       |   |     |   |   |   |   |   |   |   |   |   |       |   |     |   |   |   |   |   |   |   |   |   |       |   |     |   |   |   |   |   |   |   |   |   |      |   |
| 87   | -     | -       | -     | -      | -     | 187,0       | - | -    | -     | 184,5 | -           |      |  |  |  |  |  |  |  |  |  |  |      |     |  |  |  |  |  |  |  |  |  |  |             |                         |  |  |  |  |  |  |  |  |  |  |  |   |   |   |   |   |   |   |   |   |   |   |   |    |   |        |   |   |   |   |   |   |   |   |   |    |   |        |   |   |   |   |   |   |   |   |   |    |   |        |   |   |   |   |   |   |   |   |   |    |       |       |   |   |   |   |   |   |   |       |   |    |       |       |   |   |   |   |   |   |   |       |   |    |       |       |   |   |   |   |   |   |   |       |   |    |       |       |   |   |   |   |   |   |   |       |   |    |       |       |   |   |   |   |   |   |   |       |   |    |       |       |   |   |   |   |   |   |   |       |   |    |       |       |       |   |   |   |   |   |   |       |   |    |      |       |       |   |   |   |   |   |   |       |   |    |      |       |       |   |   |   |   |   |   |       |   |    |   |   |       |   |   |   |   |   |   |       |   |    |   |   |       |   |   |   |   |   |   |       |   |    |   |   |       |       |   |   |   |   |   |       |   |    |   |   |       |       |   |   |   |   |   |       |   |    |   |   |   |       |   |   |   |   |   |       |   |    |   |   |   |       |   |   |   |   |   |       |   |    |   |   |   |       |   |   |   |   |   |       |   |    |   |   |   |       |   |   |   |   |   |       |   |    |   |   |   |       |       |   |   |   |   |       |   |    |   |   |   |   |       |   |   |   |   |       |   |    |   |   |   |   |       |       |   |   |   |       |   |    |   |   |   |   |   |       |   |   |   |       |   |    |   |   |   |   |   |       |   |   |   |       |   |    |   |   |   |   |   |   |   |   |       |       |   |     |   |   |   |   |   |   |   |   |       |       |   |     |   |   |   |   |   |   |   |   |       |       |   |     |   |   |   |   |   |   |   |   |   |       |   |     |   |   |   |   |   |   |   |   |   |       |   |     |   |   |   |   |   |   |   |   |   |      |   |
| 90   | -     | -       | -     | -      | -     | 179,0       | - | -    | -     | 174,0 | -           |      |  |  |  |  |  |  |  |  |  |  |      |     |  |  |  |  |  |  |  |  |  |  |             |                         |  |  |  |  |  |  |  |  |  |  |  |   |   |   |   |   |   |   |   |   |   |   |   |    |   |        |   |   |   |   |   |   |   |   |   |    |   |        |   |   |   |   |   |   |   |   |   |    |   |        |   |   |   |   |   |   |   |   |   |    |       |       |   |   |   |   |   |   |   |       |   |    |       |       |   |   |   |   |   |   |   |       |   |    |       |       |   |   |   |   |   |   |   |       |   |    |       |       |   |   |   |   |   |   |   |       |   |    |       |       |   |   |   |   |   |   |   |       |   |    |       |       |   |   |   |   |   |   |   |       |   |    |       |       |       |   |   |   |   |   |   |       |   |    |      |       |       |   |   |   |   |   |   |       |   |    |      |       |       |   |   |   |   |   |   |       |   |    |   |   |       |   |   |   |   |   |   |       |   |    |   |   |       |   |   |   |   |   |   |       |   |    |   |   |       |       |   |   |   |   |   |       |   |    |   |   |       |       |   |   |   |   |   |       |   |    |   |   |   |       |   |   |   |   |   |       |   |    |   |   |   |       |   |   |   |   |   |       |   |    |   |   |   |       |   |   |   |   |   |       |   |    |   |   |   |       |   |   |   |   |   |       |   |    |   |   |   |       |       |   |   |   |   |       |   |    |   |   |   |   |       |   |   |   |   |       |   |    |   |   |   |   |       |       |   |   |   |       |   |    |   |   |   |   |   |       |   |   |   |       |   |    |   |   |   |   |   |       |   |   |   |       |   |    |   |   |   |   |   |   |   |   |       |       |   |     |   |   |   |   |   |   |   |   |       |       |   |     |   |   |   |   |   |   |   |   |       |       |   |     |   |   |   |   |   |   |   |   |   |       |   |     |   |   |   |   |   |   |   |   |   |       |   |     |   |   |   |   |   |   |   |   |   |      |   |
| 94   | -     | -       | -     | -      | -     | 170,0       | - | -    | -     | 161,0 | -           |      |  |  |  |  |  |  |  |  |  |  |      |     |  |  |  |  |  |  |  |  |  |  |             |                         |  |  |  |  |  |  |  |  |  |  |  |   |   |   |   |   |   |   |   |   |   |   |   |    |   |        |   |   |   |   |   |   |   |   |   |    |   |        |   |   |   |   |   |   |   |   |   |    |   |        |   |   |   |   |   |   |   |   |   |    |       |       |   |   |   |   |   |   |   |       |   |    |       |       |   |   |   |   |   |   |   |       |   |    |       |       |   |   |   |   |   |   |   |       |   |    |       |       |   |   |   |   |   |   |   |       |   |    |       |       |   |   |   |   |   |   |   |       |   |    |       |       |   |   |   |   |   |   |   |       |   |    |       |       |       |   |   |   |   |   |   |       |   |    |      |       |       |   |   |   |   |   |   |       |   |    |      |       |       |   |   |   |   |   |   |       |   |    |   |   |       |   |   |   |   |   |   |       |   |    |   |   |       |   |   |   |   |   |   |       |   |    |   |   |       |       |   |   |   |   |   |       |   |    |   |   |       |       |   |   |   |   |   |       |   |    |   |   |   |       |   |   |   |   |   |       |   |    |   |   |   |       |   |   |   |   |   |       |   |    |   |   |   |       |   |   |   |   |   |       |   |    |   |   |   |       |   |   |   |   |   |       |   |    |   |   |   |       |       |   |   |   |   |       |   |    |   |   |   |   |       |   |   |   |   |       |   |    |   |   |   |   |       |       |   |   |   |       |   |    |   |   |   |   |   |       |   |   |   |       |   |    |   |   |   |   |   |       |   |   |   |       |   |    |   |   |   |   |   |   |   |   |       |       |   |     |   |   |   |   |   |   |   |   |       |       |   |     |   |   |   |   |   |   |   |   |       |       |   |     |   |   |   |   |   |   |   |   |   |       |   |     |   |   |   |   |   |   |   |   |   |       |   |     |   |   |   |   |   |   |   |   |   |      |   |
| 98   | -     | -       | -     | -      | -     | -           | - | -    | -     | 144,0 | -           |      |  |  |  |  |  |  |  |  |  |  |      |     |  |  |  |  |  |  |  |  |  |  |             |                         |  |  |  |  |  |  |  |  |  |  |  |   |   |   |   |   |   |   |   |   |   |   |   |    |   |        |   |   |   |   |   |   |   |   |   |    |   |        |   |   |   |   |   |   |   |   |   |    |   |        |   |   |   |   |   |   |   |   |   |    |       |       |   |   |   |   |   |   |   |       |   |    |       |       |   |   |   |   |   |   |   |       |   |    |       |       |   |   |   |   |   |   |   |       |   |    |       |       |   |   |   |   |   |   |   |       |   |    |       |       |   |   |   |   |   |   |   |       |   |    |       |       |   |   |   |   |   |   |   |       |   |    |       |       |       |   |   |   |   |   |   |       |   |    |      |       |       |   |   |   |   |   |   |       |   |    |      |       |       |   |   |   |   |   |   |       |   |    |   |   |       |   |   |   |   |   |   |       |   |    |   |   |       |   |   |   |   |   |   |       |   |    |   |   |       |       |   |   |   |   |   |       |   |    |   |   |       |       |   |   |   |   |   |       |   |    |   |   |   |       |   |   |   |   |   |       |   |    |   |   |   |       |   |   |   |   |   |       |   |    |   |   |   |       |   |   |   |   |   |       |   |    |   |   |   |       |   |   |   |   |   |       |   |    |   |   |   |       |       |   |   |   |   |       |   |    |   |   |   |   |       |   |   |   |   |       |   |    |   |   |   |   |       |       |   |   |   |       |   |    |   |   |   |   |   |       |   |   |   |       |   |    |   |   |   |   |   |       |   |   |   |       |   |    |   |   |   |   |   |   |   |   |       |       |   |     |   |   |   |   |   |   |   |   |       |       |   |     |   |   |   |   |   |   |   |   |       |       |   |     |   |   |   |   |   |   |   |   |   |       |   |     |   |   |   |   |   |   |   |   |   |       |   |     |   |   |   |   |   |   |   |   |   |      |   |
| 102  | -     | -       | -     | -      | -     | -           | - | -    | 131,0 | 128,0 | -           |      |  |  |  |  |  |  |  |  |  |  |      |     |  |  |  |  |  |  |  |  |  |  |             |                         |  |  |  |  |  |  |  |  |  |  |  |   |   |   |   |   |   |   |   |   |   |   |   |    |   |        |   |   |   |   |   |   |   |   |   |    |   |        |   |   |   |   |   |   |   |   |   |    |   |        |   |   |   |   |   |   |   |   |   |    |       |       |   |   |   |   |   |   |   |       |   |    |       |       |   |   |   |   |   |   |   |       |   |    |       |       |   |   |   |   |   |   |   |       |   |    |       |       |   |   |   |   |   |   |   |       |   |    |       |       |   |   |   |   |   |   |   |       |   |    |       |       |   |   |   |   |   |   |   |       |   |    |       |       |       |   |   |   |   |   |   |       |   |    |      |       |       |   |   |   |   |   |   |       |   |    |      |       |       |   |   |   |   |   |   |       |   |    |   |   |       |   |   |   |   |   |   |       |   |    |   |   |       |   |   |   |   |   |   |       |   |    |   |   |       |       |   |   |   |   |   |       |   |    |   |   |       |       |   |   |   |   |   |       |   |    |   |   |   |       |   |   |   |   |   |       |   |    |   |   |   |       |   |   |   |   |   |       |   |    |   |   |   |       |   |   |   |   |   |       |   |    |   |   |   |       |   |   |   |   |   |       |   |    |   |   |   |       |       |   |   |   |   |       |   |    |   |   |   |   |       |   |   |   |   |       |   |    |   |   |   |   |       |       |   |   |   |       |   |    |   |   |   |   |   |       |   |   |   |       |   |    |   |   |   |   |   |       |   |   |   |       |   |    |   |   |   |   |   |   |   |   |       |       |   |     |   |   |   |   |   |   |   |   |       |       |   |     |   |   |   |   |   |   |   |   |       |       |   |     |   |   |   |   |   |   |   |   |   |       |   |     |   |   |   |   |   |   |   |   |   |       |   |     |   |   |   |   |   |   |   |   |   |      |   |
| 104  | -     | -       | -     | -      | -     | -           | - | -    | 127,0 | 120,5 | -           |      |  |  |  |  |  |  |  |  |  |  |      |     |  |  |  |  |  |  |  |  |  |  |             |                         |  |  |  |  |  |  |  |  |  |  |  |   |   |   |   |   |   |   |   |   |   |   |   |    |   |        |   |   |   |   |   |   |   |   |   |    |   |        |   |   |   |   |   |   |   |   |   |    |   |        |   |   |   |   |   |   |   |   |   |    |       |       |   |   |   |   |   |   |   |       |   |    |       |       |   |   |   |   |   |   |   |       |   |    |       |       |   |   |   |   |   |   |   |       |   |    |       |       |   |   |   |   |   |   |   |       |   |    |       |       |   |   |   |   |   |   |   |       |   |    |       |       |   |   |   |   |   |   |   |       |   |    |       |       |       |   |   |   |   |   |   |       |   |    |      |       |       |   |   |   |   |   |   |       |   |    |      |       |       |   |   |   |   |   |   |       |   |    |   |   |       |   |   |   |   |   |   |       |   |    |   |   |       |   |   |   |   |   |   |       |   |    |   |   |       |       |   |   |   |   |   |       |   |    |   |   |       |       |   |   |   |   |   |       |   |    |   |   |   |       |   |   |   |   |   |       |   |    |   |   |   |       |   |   |   |   |   |       |   |    |   |   |   |       |   |   |   |   |   |       |   |    |   |   |   |       |   |   |   |   |   |       |   |    |   |   |   |       |       |   |   |   |   |       |   |    |   |   |   |   |       |   |   |   |   |       |   |    |   |   |   |   |       |       |   |   |   |       |   |    |   |   |   |   |   |       |   |   |   |       |   |    |   |   |   |   |   |       |   |   |   |       |   |    |   |   |   |   |   |   |   |   |       |       |   |     |   |   |   |   |   |   |   |   |       |       |   |     |   |   |   |   |   |   |   |   |       |       |   |     |   |   |   |   |   |   |   |   |   |       |   |     |   |   |   |   |   |   |   |   |   |       |   |     |   |   |   |   |   |   |   |   |   |      |   |
| 106  | -     | -       | -     | -      | -     | -           | - | -    | -     | 113,0 | -           |      |  |  |  |  |  |  |  |  |  |  |      |     |  |  |  |  |  |  |  |  |  |  |             |                         |  |  |  |  |  |  |  |  |  |  |  |   |   |   |   |   |   |   |   |   |   |   |   |    |   |        |   |   |   |   |   |   |   |   |   |    |   |        |   |   |   |   |   |   |   |   |   |    |   |        |   |   |   |   |   |   |   |   |   |    |       |       |   |   |   |   |   |   |   |       |   |    |       |       |   |   |   |   |   |   |   |       |   |    |       |       |   |   |   |   |   |   |   |       |   |    |       |       |   |   |   |   |   |   |   |       |   |    |       |       |   |   |   |   |   |   |   |       |   |    |       |       |   |   |   |   |   |   |   |       |   |    |       |       |       |   |   |   |   |   |   |       |   |    |      |       |       |   |   |   |   |   |   |       |   |    |      |       |       |   |   |   |   |   |   |       |   |    |   |   |       |   |   |   |   |   |   |       |   |    |   |   |       |   |   |   |   |   |   |       |   |    |   |   |       |       |   |   |   |   |   |       |   |    |   |   |       |       |   |   |   |   |   |       |   |    |   |   |   |       |   |   |   |   |   |       |   |    |   |   |   |       |   |   |   |   |   |       |   |    |   |   |   |       |   |   |   |   |   |       |   |    |   |   |   |       |   |   |   |   |   |       |   |    |   |   |   |       |       |   |   |   |   |       |   |    |   |   |   |   |       |   |   |   |   |       |   |    |   |   |   |   |       |       |   |   |   |       |   |    |   |   |   |   |   |       |   |   |   |       |   |    |   |   |   |   |   |       |   |   |   |       |   |    |   |   |   |   |   |   |   |   |       |       |   |     |   |   |   |   |   |   |   |   |       |       |   |     |   |   |   |   |   |   |   |   |       |       |   |     |   |   |   |   |   |   |   |   |   |       |   |     |   |   |   |   |   |   |   |   |   |       |   |     |   |   |   |   |   |   |   |   |   |      |   |
| 110  | -     | -       | -     | -      | -     | -           | - | -    | -     | 98,5  | -           |      |  |  |  |  |  |  |  |  |  |  |      |     |  |  |  |  |  |  |  |  |  |  |             |                         |  |  |  |  |  |  |  |  |  |  |  |   |   |   |   |   |   |   |   |   |   |   |   |    |   |        |   |   |   |   |   |   |   |   |   |    |   |        |   |   |   |   |   |   |   |   |   |    |   |        |   |   |   |   |   |   |   |   |   |    |       |       |   |   |   |   |   |   |   |       |   |    |       |       |   |   |   |   |   |   |   |       |   |    |       |       |   |   |   |   |   |   |   |       |   |    |       |       |   |   |   |   |   |   |   |       |   |    |       |       |   |   |   |   |   |   |   |       |   |    |       |       |   |   |   |   |   |   |   |       |   |    |       |       |       |   |   |   |   |   |   |       |   |    |      |       |       |   |   |   |   |   |   |       |   |    |      |       |       |   |   |   |   |   |   |       |   |    |   |   |       |   |   |   |   |   |   |       |   |    |   |   |       |   |   |   |   |   |   |       |   |    |   |   |       |       |   |   |   |   |   |       |   |    |   |   |       |       |   |   |   |   |   |       |   |    |   |   |   |       |   |   |   |   |   |       |   |    |   |   |   |       |   |   |   |   |   |       |   |    |   |   |   |       |   |   |   |   |   |       |   |    |   |   |   |       |   |   |   |   |   |       |   |    |   |   |   |       |       |   |   |   |   |       |   |    |   |   |   |   |       |   |   |   |   |       |   |    |   |   |   |   |       |       |   |   |   |       |   |    |   |   |   |   |   |       |   |   |   |       |   |    |   |   |   |   |   |       |   |   |   |       |   |    |   |   |   |   |   |   |   |   |       |       |   |     |   |   |   |   |   |   |   |   |       |       |   |     |   |   |   |   |   |   |   |   |       |       |   |     |   |   |   |   |   |   |   |   |   |       |   |     |   |   |   |   |   |   |   |   |   |       |   |     |   |   |   |   |   |   |   |   |   |      |   |
| 114  | -     | -       | -     | -      | -     | -           | - | -    | -     | 89,5  | -           |      |  |  |  |  |  |  |  |  |  |  |      |     |  |  |  |  |  |  |  |  |  |  |             |                         |  |  |  |  |  |  |  |  |  |  |  |   |   |   |   |   |   |   |   |   |   |   |   |    |   |        |   |   |   |   |   |   |   |   |   |    |   |        |   |   |   |   |   |   |   |   |   |    |   |        |   |   |   |   |   |   |   |   |   |    |       |       |   |   |   |   |   |   |   |       |   |    |       |       |   |   |   |   |   |   |   |       |   |    |       |       |   |   |   |   |   |   |   |       |   |    |       |       |   |   |   |   |   |   |   |       |   |    |       |       |   |   |   |   |   |   |   |       |   |    |       |       |   |   |   |   |   |   |   |       |   |    |       |       |       |   |   |   |   |   |   |       |   |    |      |       |       |   |   |   |   |   |   |       |   |    |      |       |       |   |   |   |   |   |   |       |   |    |   |   |       |   |   |   |   |   |   |       |   |    |   |   |       |   |   |   |   |   |   |       |   |    |   |   |       |       |   |   |   |   |   |       |   |    |   |   |       |       |   |   |   |   |   |       |   |    |   |   |   |       |   |   |   |   |   |       |   |    |   |   |   |       |   |   |   |   |   |       |   |    |   |   |   |       |   |   |   |   |   |       |   |    |   |   |   |       |   |   |   |   |   |       |   |    |   |   |   |       |       |   |   |   |   |       |   |    |   |   |   |   |       |   |   |   |   |       |   |    |   |   |   |   |       |       |   |   |   |       |   |    |   |   |   |   |   |       |   |   |   |       |   |    |   |   |   |   |   |       |   |   |   |       |   |    |   |   |   |   |   |   |   |   |       |       |   |     |   |   |   |   |   |   |   |   |       |       |   |     |   |   |   |   |   |   |   |   |       |       |   |     |   |   |   |   |   |   |   |   |   |       |   |     |   |   |   |   |   |   |   |   |   |       |   |     |   |   |   |   |   |   |   |   |   |      |   |

6 m steps of luffing jib is standard · 6 m Stufung der Wippe ist Standard · Des paliers de 6 m sont de série pour la fléchette

Main boom angle 88°, 85°, 75°, 65°, 55° and 45°; capacities for intermediate boom positions are calculated by the crane control system IC-1  
 Hauptauslegerwinkel 88°, 85°, 75°, 65°, 55° und 45°; Traglasten für Zwischenstellungen des Hauptauslegers werden von der Kransteuerung IC-1 berechnet

Jarret de flèche principale 88°, 85°, 75°, 65°, 55° et 45° ; le système de commande de la grue IC-1 calcule les charges pour les positions intermédiaires de la flèche

\* Main boom angle 88° · Hauptauslegerwinkel 88° · Jarret de flèche principale 88°

| 295 t + 60 t ZB   |       | 19-30 m |       | 10,5 m |       | 9.8 m/s     |   | 360° |      | ISO   |      |      |  |  |  |  |  |  |  |  |  |  |      |             |  |  |  |  |  |  |  |  |  |  |  |  |     |     |     |     |     |     |  |  |  |  |  |   |   |   |   |   |   |   |   |   |   |   |   |    |   |        |   |   |   |   |   |   |   |   |   |    |   |        |   |   |   |   |   |   |   |   |   |    |       |        |   |   |   |   |   |   |   |       |   |    |       |       |   |   |   |   |   |   |   |       |   |    |       |       |   |   |   |   |   |   |   |       |   |    |       |       |   |   |   |   |   |   |   |       |   |    |       |       |   |   |   |   |   |   |   |       |   |    |      |       |   |   |   |   |   |   |   |       |   |    |      |       |       |   |   |   |   |   |   |       |   |    |      |       |       |   |   |   |   |   |   |       |   |    |      |       |       |   |   |   |   |   |   |       |   |    |      |       |       |   |   |   |   |   |   |       |   |    |      |       |       |   |   |   |   |   |   |       |   |    |   |   |       |   |   |   |   |   |   |       |   |    |   |   |       |       |   |   |   |   |   |       |   |    |   |   |       |       |   |   |   |   |   |       |   |    |   |   |       |       |   |   |   |   |   |       |   |    |   |   |       |       |   |   |   |   |   |       |   |    |   |   |   |       |   |   |   |   |   |       |   |     |   |   |   |       |   |   |   |   |   |       |   |     |   |   |   |       |   |   |   |   |   |       |   |     |   |   |   |       |       |   |   |   |   |       |   |     |   |   |   |   |       |   |   |   |   |       |   |     |   |   |   |   |       |   |   |   |   |       |   |     |   |   |   |   |       |   |   |   |   |       |   |     |   |   |   |   |       |   |   |   |   |       |   |     |   |   |   |   |   |   |   |   |      |       |   |     |   |   |   |   |   |   |   |   |      |       |   |     |   |   |   |   |   |       |   |   |   |       |   |     |   |   |   |   |   |       |   |   |   |       |   |     |   |   |   |   |   |       |   |   |   |      |   |     |   |   |   |   |   |   |   |   |   |      |   |     |   |   |   |   |   |   |   |   |   |      |   |     |   |   |   |   |   |   |   |   |   |      |   |
|---|-------|---------|-------|--------|-------|-------------|---|------|------|-------|------|------|--|--|--|--|--|--|--|--|--|--|------|-------------|--|--|--|--|--|--|--|--|--|--|--|--|-----|-----|-----|-----|-----|-----|--|--|--|--|--|---|---|---|---|---|---|---|---|---|---|---|---|----|---|--------|---|---|---|---|---|---|---|---|---|----|---|--------|---|---|---|---|---|---|---|---|---|----|-------|--------|---|---|---|---|---|---|---|-------|---|----|-------|-------|---|---|---|---|---|---|---|-------|---|----|-------|-------|---|---|---|---|---|---|---|-------|---|----|-------|-------|---|---|---|---|---|---|---|-------|---|----|-------|-------|---|---|---|---|---|---|---|-------|---|----|------|-------|---|---|---|---|---|---|---|-------|---|----|------|-------|-------|---|---|---|---|---|---|-------|---|----|------|-------|-------|---|---|---|---|---|---|-------|---|----|------|-------|-------|---|---|---|---|---|---|-------|---|----|------|-------|-------|---|---|---|---|---|---|-------|---|----|------|-------|-------|---|---|---|---|---|---|-------|---|----|---|---|-------|---|---|---|---|---|---|-------|---|----|---|---|-------|-------|---|---|---|---|---|-------|---|----|---|---|-------|-------|---|---|---|---|---|-------|---|----|---|---|-------|-------|---|---|---|---|---|-------|---|----|---|---|-------|-------|---|---|---|---|---|-------|---|----|---|---|---|-------|---|---|---|---|---|-------|---|-----|---|---|---|-------|---|---|---|---|---|-------|---|-----|---|---|---|-------|---|---|---|---|---|-------|---|-----|---|---|---|-------|-------|---|---|---|---|-------|---|-----|---|---|---|---|-------|---|---|---|---|-------|---|-----|---|---|---|---|-------|---|---|---|---|-------|---|-----|---|---|---|---|-------|---|---|---|---|-------|---|-----|---|---|---|---|-------|---|---|---|---|-------|---|-----|---|---|---|---|---|---|---|---|------|-------|---|-----|---|---|---|---|---|---|---|---|------|-------|---|-----|---|---|---|---|---|-------|---|---|---|-------|---|-----|---|---|---|---|---|-------|---|---|---|-------|---|-----|---|---|---|---|---|-------|---|---|---|------|---|-----|---|---|---|---|---|---|---|---|---|------|---|-----|---|---|---|---|---|---|---|---|---|------|---|-----|---|---|---|---|---|---|---|---|---|------|---|
| 78 m + 60 m   |       |         |       |        |       | 78 m + 72 m |   |      |      |       |      |      |  |  |  |  |  |  |  |  |  |  |      |             |  |  |  |  |  |  |  |  |  |  |  |  |     |     |     |     |     |     |  |  |  |  |  |   |   |   |   |   |   |   |   |   |   |   |   |    |   |        |   |   |   |   |   |   |   |   |   |    |   |        |   |   |   |   |   |   |   |   |   |    |       |        |   |   |   |   |   |   |   |       |   |    |       |       |   |   |   |   |   |   |   |       |   |    |       |       |   |   |   |   |   |   |   |       |   |    |       |       |   |   |   |   |   |   |   |       |   |    |       |       |   |   |   |   |   |   |   |       |   |    |      |       |   |   |   |   |   |   |   |       |   |    |      |       |       |   |   |   |   |   |   |       |   |    |      |       |       |   |   |   |   |   |   |       |   |    |      |       |       |   |   |   |   |   |   |       |   |    |      |       |       |   |   |   |   |   |   |       |   |    |      |       |       |   |   |   |   |   |   |       |   |    |   |   |       |   |   |   |   |   |   |       |   |    |   |   |       |       |   |   |   |   |   |       |   |    |   |   |       |       |   |   |   |   |   |       |   |    |   |   |       |       |   |   |   |   |   |       |   |    |   |   |       |       |   |   |   |   |   |       |   |    |   |   |   |       |   |   |   |   |   |       |   |     |   |   |   |       |   |   |   |   |   |       |   |     |   |   |   |       |   |   |   |   |   |       |   |     |   |   |   |       |       |   |   |   |   |       |   |     |   |   |   |   |       |   |   |   |   |       |   |     |   |   |   |   |       |   |   |   |   |       |   |     |   |   |   |   |       |   |   |   |   |       |   |     |   |   |   |   |       |   |   |   |   |       |   |     |   |   |   |   |   |   |   |   |      |       |   |     |   |   |   |   |   |   |   |   |      |       |   |     |   |   |   |   |   |       |   |   |   |       |   |     |   |   |   |   |   |       |   |   |   |       |   |     |   |   |   |   |   |       |   |   |   |      |   |     |   |   |   |   |   |   |   |   |   |      |   |     |   |   |   |   |   |   |   |   |   |      |   |     |   |   |   |   |   |   |   |   |   |      |   |
| <table border="1"> <thead> <tr> <th colspan="11">SWSL</th> <th>SFSL</th> </tr> <tr> <th colspan="12">0 t - 640 t</th> </tr> <tr> <th></th> <th>85°</th> <th>85°</th> <th>75°</th> <th>65°</th> <th>55°</th> <th>45°</th> <th colspan="5"></th> </tr> <tr> <th>m</th> <th>t</th> <th>t</th> <th>t</th> <th>t</th> <th>t</th> <th>t</th> <th>t</th> <th>t</th> <th>t</th> <th>t</th> <th>t</th> </tr> </thead> <tbody> <tr><td>26</td><td>-</td><td>293,0*</td><td>-</td><td>-</td><td>-</td><td>-</td><td>-</td><td>-</td><td>-</td><td>-</td><td>-</td></tr> <tr><td>28</td><td>-</td><td>290,0*</td><td>-</td><td>-</td><td>-</td><td>-</td><td>-</td><td>-</td><td>-</td><td>-</td><td>-</td></tr> <tr><td>30</td><td>-</td><td>285,0*</td><td>-</td><td>-</td><td>-</td><td>-</td><td>-</td><td>-</td><td>-</td><td>-</td><td>-</td></tr> <tr><td>34</td><td>153,0</td><td>307,0</td><td>-</td><td>-</td><td>-</td><td>-</td><td>-</td><td>-</td><td>-</td><td>299,0</td><td>-</td></tr> <tr><td>38</td><td>135,0</td><td>298,0</td><td>-</td><td>-</td><td>-</td><td>-</td><td>-</td><td>-</td><td>-</td><td>299,0</td><td>-</td></tr> <tr><td>42</td><td>120,0</td><td>290,0</td><td>-</td><td>-</td><td>-</td><td>-</td><td>-</td><td>-</td><td>-</td><td>299,0</td><td>-</td></tr> <tr><td>46</td><td>108,0</td><td>282,0</td><td>-</td><td>-</td><td>-</td><td>-</td><td>-</td><td>-</td><td>-</td><td>299,0</td><td>-</td></tr> <tr><td>50</td><td>97,5</td><td>273,0</td><td>-</td><td>-</td><td>-</td><td>-</td><td>-</td><td>-</td><td>-</td><td>299,0</td><td>-</td></tr> <tr><td>54</td><td>88,0</td><td>265,0</td><td>-</td><td>-</td><td>-</td><td>-</td><td>-</td><td>-</td><td>-</td><td>293,0</td><td>-</td></tr> <tr><td>56</td><td>84,0</td><td>259,0</td><td>314,0</td><td>-</td><td>-</td><td>-</td><td>-</td><td>-</td><td>-</td><td>288,5</td><td>-</td></tr> <tr><td>58</td><td>80,0</td><td>246,0</td><td>313,0</td><td>-</td><td>-</td><td>-</td><td>-</td><td>-</td><td>-</td><td>284,0</td><td>-</td></tr> <tr><td>62</td><td>73,0</td><td>222,0</td><td>307,0</td><td>-</td><td>-</td><td>-</td><td>-</td><td>-</td><td>-</td><td>273,0</td><td>-</td></tr> <tr><td>66</td><td>65,5</td><td>195,0</td><td>285,0</td><td>-</td><td>-</td><td>-</td><td>-</td><td>-</td><td>-</td><td>265,0</td><td>-</td></tr> <tr><td>70</td><td>-</td><td>-</td><td>255,0</td><td>-</td><td>-</td><td>-</td><td>-</td><td>-</td><td>-</td><td>257,0</td><td>-</td></tr> <tr><td>74</td><td>-</td><td>-</td><td>231,0</td><td>-</td><td>-</td><td>-</td><td>-</td><td>-</td><td>-</td><td>245,0</td><td>-</td></tr> <tr><td>77</td><td>-</td><td>-</td><td>215,0</td><td>233,0</td><td>-</td><td>-</td><td>-</td><td>-</td><td>-</td><td>230,7</td><td>-</td></tr> <tr><td>78</td><td>-</td><td>-</td><td>210,0</td><td>229,0</td><td>-</td><td>-</td><td>-</td><td>-</td><td>-</td><td>226,0</td><td>-</td></tr> <tr><td>80</td><td>-</td><td>-</td><td>200,0</td><td>222,0</td><td>-</td><td>-</td><td>-</td><td>-</td><td>-</td><td>217,5</td><td>-</td></tr> <tr><td>82</td><td>-</td><td>-</td><td>-</td><td>216,0</td><td>-</td><td>-</td><td>-</td><td>-</td><td>-</td><td>209,0</td><td>-</td></tr> <tr><td>86</td><td>-</td><td>-</td><td>-</td><td>204,0</td><td>-</td><td>-</td><td>-</td><td>-</td><td>-</td><td>193,0</td><td>-</td></tr> <tr><td>90</td><td>-</td><td>-</td><td>-</td><td>193,0</td><td>-</td><td>-</td><td>-</td><td>-</td><td>-</td><td>179,0</td><td>-</td></tr> <tr><td>94</td><td>-</td><td>-</td><td>-</td><td>183,0</td><td>-</td><td>-</td><td>-</td><td>-</td><td>-</td><td>166,0</td><td>-</td></tr> <tr><td>96</td><td>-</td><td>-</td><td>-</td><td>-</td><td>162,0</td><td>-</td><td>-</td><td>-</td><td>-</td><td>160,0</td><td>-</td></tr> <tr><td>98</td><td>-</td><td>-</td><td>-</td><td>-</td><td>158,0</td><td>-</td><td>-</td><td>-</td><td>-</td><td>154,0</td><td>-</td></tr> <tr><td>102</td><td>-</td><td>-</td><td>-</td><td>-</td><td>150,0</td><td>-</td><td>-</td><td>-</td><td>-</td><td>144,0</td><td>-</td></tr> <tr><td>104</td><td>-</td><td>-</td><td>-</td><td>-</td><td>146,0</td><td>-</td><td>-</td><td>-</td><td>-</td><td>137,0</td><td>-</td></tr> <tr><td>106</td><td>-</td><td>-</td><td>-</td><td>-</td><td>-</td><td>-</td><td>-</td><td>-</td><td>-</td><td>130,0</td><td>-</td></tr> <tr><td>110</td><td>-</td><td>-</td><td>-</td><td>-</td><td>-</td><td>-</td><td>-</td><td>-</td><td>-</td><td>116,0</td><td>-</td></tr> <tr><td>112</td><td>-</td><td>-</td><td>-</td><td>-</td><td>-</td><td>111,0</td><td>-</td><td>-</td><td>-</td><td>109,5</td><td>-</td></tr> <tr><td>114</td><td>-</td><td>-</td><td>-</td><td>-</td><td>-</td><td>108,0</td><td>-</td><td>-</td><td>-</td><td>103,0</td><td>-</td></tr> <tr><td>116</td><td>-</td><td>-</td><td>-</td><td>-</td><td>-</td><td>105,0</td><td>-</td><td>-</td><td>-</td><td>96,5</td><td>-</td></tr> <tr><td>118</td><td>-</td><td>-</td><td>-</td><td>-</td><td>-</td><td>-</td><td>-</td><td>-</td><td>-</td><td>90,0</td><td>-</td></tr> <tr><td>122</td><td>-</td><td>-</td><td>-</td><td>-</td><td>-</td><td>-</td><td>-</td><td>-</td><td>-</td><td>78,5</td><td>-</td></tr> <tr><td>126</td><td>-</td><td>-</td><td>-</td><td>-</td><td>-</td><td>-</td><td>-</td><td>-</td><td>-</td><td>72,5</td><td>-</td></tr> </tbody> </table> |       |         |       |        |       |             |   |      |      |       |      | SWSL |  |  |  |  |  |  |  |  |  |  | SFSL | 0 t - 640 t |  |  |  |  |  |  |  |  |  |  |  |  | 85° | 85° | 75° | 65° | 55° | 45° |  |  |  |  |  | m | t | t | t | t | t | t | t | t | t | t | t | 26 | - | 293,0* | - | - | - | - | - | - | - | - | - | 28 | - | 290,0* | - | - | - | - | - | - | - | - | - | 30 | -     | 285,0* | - | - | - | - | - | - | - | -     | - | 34 | 153,0 | 307,0 | - | - | - | - | - | - | - | 299,0 | - | 38 | 135,0 | 298,0 | - | - | - | - | - | - | - | 299,0 | - | 42 | 120,0 | 290,0 | - | - | - | - | - | - | - | 299,0 | - | 46 | 108,0 | 282,0 | - | - | - | - | - | - | - | 299,0 | - | 50 | 97,5 | 273,0 | - | - | - | - | - | - | - | 299,0 | - | 54 | 88,0 | 265,0 | -     | - | - | - | - | - | - | 293,0 | - | 56 | 84,0 | 259,0 | 314,0 | - | - | - | - | - | - | 288,5 | - | 58 | 80,0 | 246,0 | 313,0 | - | - | - | - | - | - | 284,0 | - | 62 | 73,0 | 222,0 | 307,0 | - | - | - | - | - | - | 273,0 | - | 66 | 65,5 | 195,0 | 285,0 | - | - | - | - | - | - | 265,0 | - | 70 | - | - | 255,0 | - | - | - | - | - | - | 257,0 | - | 74 | - | - | 231,0 | -     | - | - | - | - | - | 245,0 | - | 77 | - | - | 215,0 | 233,0 | - | - | - | - | - | 230,7 | - | 78 | - | - | 210,0 | 229,0 | - | - | - | - | - | 226,0 | - | 80 | - | - | 200,0 | 222,0 | - | - | - | - | - | 217,5 | - | 82 | - | - | - | 216,0 | - | - | - | - | - | 209,0 | - | 86  | - | - | - | 204,0 | - | - | - | - | - | 193,0 | - | 90  | - | - | - | 193,0 | - | - | - | - | - | 179,0 | - | 94  | - | - | - | 183,0 | -     | - | - | - | - | 166,0 | - | 96  | - | - | - | - | 162,0 | - | - | - | - | 160,0 | - | 98  | - | - | - | - | 158,0 | - | - | - | - | 154,0 | - | 102 | - | - | - | - | 150,0 | - | - | - | - | 144,0 | - | 104 | - | - | - | - | 146,0 | - | - | - | - | 137,0 | - | 106 | - | - | - | - | - | - | - | - | -    | 130,0 | - | 110 | - | - | - | - | - | - | - | - | -    | 116,0 | - | 112 | - | - | - | - | - | 111,0 | - | - | - | 109,5 | - | 114 | - | - | - | - | - | 108,0 | - | - | - | 103,0 | - | 116 | - | - | - | - | - | 105,0 | - | - | - | 96,5 | - | 118 | - | - | - | - | - | - | - | - | - | 90,0 | - | 122 | - | - | - | - | - | - | - | - | - | 78,5 | - | 126 | - | - | - | - | - | - | - | - | - | 72,5 | - |
| SWSL  |       |         |       |        |       |             |   |      |      |       | SFSL |      |  |  |  |  |  |  |  |  |  |  |      |             |  |  |  |  |  |  |  |  |  |  |  |  |     |     |     |     |     |     |  |  |  |  |  |   |   |   |   |   |   |   |   |   |   |   |   |    |   |        |   |   |   |   |   |   |   |   |   |    |   |        |   |   |   |   |   |   |   |   |   |    |       |        |   |   |   |   |   |   |   |       |   |    |       |       |   |   |   |   |   |   |   |       |   |    |       |       |   |   |   |   |   |   |   |       |   |    |       |       |   |   |   |   |   |   |   |       |   |    |       |       |   |   |   |   |   |   |   |       |   |    |      |       |   |   |   |   |   |   |   |       |   |    |      |       |       |   |   |   |   |   |   |       |   |    |      |       |       |   |   |   |   |   |   |       |   |    |      |       |       |   |   |   |   |   |   |       |   |    |      |       |       |   |   |   |   |   |   |       |   |    |      |       |       |   |   |   |   |   |   |       |   |    |   |   |       |   |   |   |   |   |   |       |   |    |   |   |       |       |   |   |   |   |   |       |   |    |   |   |       |       |   |   |   |   |   |       |   |    |   |   |       |       |   |   |   |   |   |       |   |    |   |   |       |       |   |   |   |   |   |       |   |    |   |   |   |       |   |   |   |   |   |       |   |     |   |   |   |       |   |   |   |   |   |       |   |     |   |   |   |       |   |   |   |   |   |       |   |     |   |   |   |       |       |   |   |   |   |       |   |     |   |   |   |   |       |   |   |   |   |       |   |     |   |   |   |   |       |   |   |   |   |       |   |     |   |   |   |   |       |   |   |   |   |       |   |     |   |   |   |   |       |   |   |   |   |       |   |     |   |   |   |   |   |   |   |   |      |       |   |     |   |   |   |   |   |   |   |   |      |       |   |     |   |   |   |   |   |       |   |   |   |       |   |     |   |   |   |   |   |       |   |   |   |       |   |     |   |   |   |   |   |       |   |   |   |      |   |     |   |   |   |   |   |   |   |   |   |      |   |     |   |   |   |   |   |   |   |   |   |      |   |     |   |   |   |   |   |   |   |   |   |      |   |
| 0 t - 640 t   |       |         |       |        |       |             |   |      |      |       |      |      |  |  |  |  |  |  |  |  |  |  |      |             |  |  |  |  |  |  |  |  |  |  |  |  |     |     |     |     |     |     |  |  |  |  |  |   |   |   |   |   |   |   |   |   |   |   |   |    |   |        |   |   |   |   |   |   |   |   |   |    |   |        |   |   |   |   |   |   |   |   |   |    |       |        |   |   |   |   |   |   |   |       |   |    |       |       |   |   |   |   |   |   |   |       |   |    |       |       |   |   |   |   |   |   |   |       |   |    |       |       |   |   |   |   |   |   |   |       |   |    |       |       |   |   |   |   |   |   |   |       |   |    |      |       |   |   |   |   |   |   |   |       |   |    |      |       |       |   |   |   |   |   |   |       |   |    |      |       |       |   |   |   |   |   |   |       |   |    |      |       |       |   |   |   |   |   |   |       |   |    |      |       |       |   |   |   |   |   |   |       |   |    |      |       |       |   |   |   |   |   |   |       |   |    |   |   |       |   |   |   |   |   |   |       |   |    |   |   |       |       |   |   |   |   |   |       |   |    |   |   |       |       |   |   |   |   |   |       |   |    |   |   |       |       |   |   |   |   |   |       |   |    |   |   |       |       |   |   |   |   |   |       |   |    |   |   |   |       |   |   |   |   |   |       |   |     |   |   |   |       |   |   |   |   |   |       |   |     |   |   |   |       |   |   |   |   |   |       |   |     |   |   |   |       |       |   |   |   |   |       |   |     |   |   |   |   |       |   |   |   |   |       |   |     |   |   |   |   |       |   |   |   |   |       |   |     |   |   |   |   |       |   |   |   |   |       |   |     |   |   |   |   |       |   |   |   |   |       |   |     |   |   |   |   |   |   |   |   |      |       |   |     |   |   |   |   |   |   |   |   |      |       |   |     |   |   |   |   |   |       |   |   |   |       |   |     |   |   |   |   |   |       |   |   |   |       |   |     |   |   |   |   |   |       |   |   |   |      |   |     |   |   |   |   |   |   |   |   |   |      |   |     |   |   |   |   |   |   |   |   |   |      |   |     |   |   |   |   |   |   |   |   |   |      |   |
|   | 85°   | 85°     | 75°   | 65°    | 55°   | 45°         |   |      |      |       |      |      |  |  |  |  |  |  |  |  |  |  |      |             |  |  |  |  |  |  |  |  |  |  |  |  |     |     |     |     |     |     |  |  |  |  |  |   |   |   |   |   |   |   |   |   |   |   |   |    |   |        |   |   |   |   |   |   |   |   |   |    |   |        |   |   |   |   |   |   |   |   |   |    |       |        |   |   |   |   |   |   |   |       |   |    |       |       |   |   |   |   |   |   |   |       |   |    |       |       |   |   |   |   |   |   |   |       |   |    |       |       |   |   |   |   |   |   |   |       |   |    |       |       |   |   |   |   |   |   |   |       |   |    |      |       |   |   |   |   |   |   |   |       |   |    |      |       |       |   |   |   |   |   |   |       |   |    |      |       |       |   |   |   |   |   |   |       |   |    |      |       |       |   |   |   |   |   |   |       |   |    |      |       |       |   |   |   |   |   |   |       |   |    |      |       |       |   |   |   |   |   |   |       |   |    |   |   |       |   |   |   |   |   |   |       |   |    |   |   |       |       |   |   |   |   |   |       |   |    |   |   |       |       |   |   |   |   |   |       |   |    |   |   |       |       |   |   |   |   |   |       |   |    |   |   |       |       |   |   |   |   |   |       |   |    |   |   |   |       |   |   |   |   |   |       |   |     |   |   |   |       |   |   |   |   |   |       |   |     |   |   |   |       |   |   |   |   |   |       |   |     |   |   |   |       |       |   |   |   |   |       |   |     |   |   |   |   |       |   |   |   |   |       |   |     |   |   |   |   |       |   |   |   |   |       |   |     |   |   |   |   |       |   |   |   |   |       |   |     |   |   |   |   |       |   |   |   |   |       |   |     |   |   |   |   |   |   |   |   |      |       |   |     |   |   |   |   |   |   |   |   |      |       |   |     |   |   |   |   |   |       |   |   |   |       |   |     |   |   |   |   |   |       |   |   |   |       |   |     |   |   |   |   |   |       |   |   |   |      |   |     |   |   |   |   |   |   |   |   |   |      |   |     |   |   |   |   |   |   |   |   |   |      |   |     |   |   |   |   |   |   |   |   |   |      |   |
| m   | t     | t       | t     | t      | t     | t           | t | t    | t    | t     | t    |      |  |  |  |  |  |  |  |  |  |  |      |             |  |  |  |  |  |  |  |  |  |  |  |  |     |     |     |     |     |     |  |  |  |  |  |   |   |   |   |   |   |   |   |   |   |   |   |    |   |        |   |   |   |   |   |   |   |   |   |    |   |        |   |   |   |   |   |   |   |   |   |    |       |        |   |   |   |   |   |   |   |       |   |    |       |       |   |   |   |   |   |   |   |       |   |    |       |       |   |   |   |   |   |   |   |       |   |    |       |       |   |   |   |   |   |   |   |       |   |    |       |       |   |   |   |   |   |   |   |       |   |    |      |       |   |   |   |   |   |   |   |       |   |    |      |       |       |   |   |   |   |   |   |       |   |    |      |       |       |   |   |   |   |   |   |       |   |    |      |       |       |   |   |   |   |   |   |       |   |    |      |       |       |   |   |   |   |   |   |       |   |    |      |       |       |   |   |   |   |   |   |       |   |    |   |   |       |   |   |   |   |   |   |       |   |    |   |   |       |       |   |   |   |   |   |       |   |    |   |   |       |       |   |   |   |   |   |       |   |    |   |   |       |       |   |   |   |   |   |       |   |    |   |   |       |       |   |   |   |   |   |       |   |    |   |   |   |       |   |   |   |   |   |       |   |     |   |   |   |       |   |   |   |   |   |       |   |     |   |   |   |       |   |   |   |   |   |       |   |     |   |   |   |       |       |   |   |   |   |       |   |     |   |   |   |   |       |   |   |   |   |       |   |     |   |   |   |   |       |   |   |   |   |       |   |     |   |   |   |   |       |   |   |   |   |       |   |     |   |   |   |   |       |   |   |   |   |       |   |     |   |   |   |   |   |   |   |   |      |       |   |     |   |   |   |   |   |   |   |   |      |       |   |     |   |   |   |   |   |       |   |   |   |       |   |     |   |   |   |   |   |       |   |   |   |       |   |     |   |   |   |   |   |       |   |   |   |      |   |     |   |   |   |   |   |   |   |   |   |      |   |     |   |   |   |   |   |   |   |   |   |      |   |     |   |   |   |   |   |   |   |   |   |      |   |
| 26  | -     | 293,0*  | -     | -      | -     | -           | - | -    | -    | -     | -    |      |  |  |  |  |  |  |  |  |  |  |      |             |  |  |  |  |  |  |  |  |  |  |  |  |     |     |     |     |     |     |  |  |  |  |  |   |   |   |   |   |   |   |   |   |   |   |   |    |   |        |   |   |   |   |   |   |   |   |   |    |   |        |   |   |   |   |   |   |   |   |   |    |       |        |   |   |   |   |   |   |   |       |   |    |       |       |   |   |   |   |   |   |   |       |   |    |       |       |   |   |   |   |   |   |   |       |   |    |       |       |   |   |   |   |   |   |   |       |   |    |       |       |   |   |   |   |   |   |   |       |   |    |      |       |   |   |   |   |   |   |   |       |   |    |      |       |       |   |   |   |   |   |   |       |   |    |      |       |       |   |   |   |   |   |   |       |   |    |      |       |       |   |   |   |   |   |   |       |   |    |      |       |       |   |   |   |   |   |   |       |   |    |      |       |       |   |   |   |   |   |   |       |   |    |   |   |       |   |   |   |   |   |   |       |   |    |   |   |       |       |   |   |   |   |   |       |   |    |   |   |       |       |   |   |   |   |   |       |   |    |   |   |       |       |   |   |   |   |   |       |   |    |   |   |       |       |   |   |   |   |   |       |   |    |   |   |   |       |   |   |   |   |   |       |   |     |   |   |   |       |   |   |   |   |   |       |   |     |   |   |   |       |   |   |   |   |   |       |   |     |   |   |   |       |       |   |   |   |   |       |   |     |   |   |   |   |       |   |   |   |   |       |   |     |   |   |   |   |       |   |   |   |   |       |   |     |   |   |   |   |       |   |   |   |   |       |   |     |   |   |   |   |       |   |   |   |   |       |   |     |   |   |   |   |   |   |   |   |      |       |   |     |   |   |   |   |   |   |   |   |      |       |   |     |   |   |   |   |   |       |   |   |   |       |   |     |   |   |   |   |   |       |   |   |   |       |   |     |   |   |   |   |   |       |   |   |   |      |   |     |   |   |   |   |   |   |   |   |   |      |   |     |   |   |   |   |   |   |   |   |   |      |   |     |   |   |   |   |   |   |   |   |   |      |   |
| 28  | -     | 290,0*  | -     | -      | -     | -           | - | -    | -    | -     | -    |      |  |  |  |  |  |  |  |  |  |  |      |             |  |  |  |  |  |  |  |  |  |  |  |  |     |     |     |     |     |     |  |  |  |  |  |   |   |   |   |   |   |   |   |   |   |   |   |    |   |        |   |   |   |   |   |   |   |   |   |    |   |        |   |   |   |   |   |   |   |   |   |    |       |        |   |   |   |   |   |   |   |       |   |    |       |       |   |   |   |   |   |   |   |       |   |    |       |       |   |   |   |   |   |   |   |       |   |    |       |       |   |   |   |   |   |   |   |       |   |    |       |       |   |   |   |   |   |   |   |       |   |    |      |       |   |   |   |   |   |   |   |       |   |    |      |       |       |   |   |   |   |   |   |       |   |    |      |       |       |   |   |   |   |   |   |       |   |    |      |       |       |   |   |   |   |   |   |       |   |    |      |       |       |   |   |   |   |   |   |       |   |    |      |       |       |   |   |   |   |   |   |       |   |    |   |   |       |   |   |   |   |   |   |       |   |    |   |   |       |       |   |   |   |   |   |       |   |    |   |   |       |       |   |   |   |   |   |       |   |    |   |   |       |       |   |   |   |   |   |       |   |    |   |   |       |       |   |   |   |   |   |       |   |    |   |   |   |       |   |   |   |   |   |       |   |     |   |   |   |       |   |   |   |   |   |       |   |     |   |   |   |       |   |   |   |   |   |       |   |     |   |   |   |       |       |   |   |   |   |       |   |     |   |   |   |   |       |   |   |   |   |       |   |     |   |   |   |   |       |   |   |   |   |       |   |     |   |   |   |   |       |   |   |   |   |       |   |     |   |   |   |   |       |   |   |   |   |       |   |     |   |   |   |   |   |   |   |   |      |       |   |     |   |   |   |   |   |   |   |   |      |       |   |     |   |   |   |   |   |       |   |   |   |       |   |     |   |   |   |   |   |       |   |   |   |       |   |     |   |   |   |   |   |       |   |   |   |      |   |     |   |   |   |   |   |   |   |   |   |      |   |     |   |   |   |   |   |   |   |   |   |      |   |     |   |   |   |   |   |   |   |   |   |      |   |
| 30  | -     | 285,0*  | -     | -      | -     | -           | - | -    | -    | -     | -    |      |  |  |  |  |  |  |  |  |  |  |      |             |  |  |  |  |  |  |  |  |  |  |  |  |     |     |     |     |     |     |  |  |  |  |  |   |   |   |   |   |   |   |   |   |   |   |   |    |   |        |   |   |   |   |   |   |   |   |   |    |   |        |   |   |   |   |   |   |   |   |   |    |       |        |   |   |   |   |   |   |   |       |   |    |       |       |   |   |   |   |   |   |   |       |   |    |       |       |   |   |   |   |   |   |   |       |   |    |       |       |   |   |   |   |   |   |   |       |   |    |       |       |   |   |   |   |   |   |   |       |   |    |      |       |   |   |   |   |   |   |   |       |   |    |      |       |       |   |   |   |   |   |   |       |   |    |      |       |       |   |   |   |   |   |   |       |   |    |      |       |       |   |   |   |   |   |   |       |   |    |      |       |       |   |   |   |   |   |   |       |   |    |      |       |       |   |   |   |   |   |   |       |   |    |   |   |       |   |   |   |   |   |   |       |   |    |   |   |       |       |   |   |   |   |   |       |   |    |   |   |       |       |   |   |   |   |   |       |   |    |   |   |       |       |   |   |   |   |   |       |   |    |   |   |       |       |   |   |   |   |   |       |   |    |   |   |   |       |   |   |   |   |   |       |   |     |   |   |   |       |   |   |   |   |   |       |   |     |   |   |   |       |   |   |   |   |   |       |   |     |   |   |   |       |       |   |   |   |   |       |   |     |   |   |   |   |       |   |   |   |   |       |   |     |   |   |   |   |       |   |   |   |   |       |   |     |   |   |   |   |       |   |   |   |   |       |   |     |   |   |   |   |       |   |   |   |   |       |   |     |   |   |   |   |   |   |   |   |      |       |   |     |   |   |   |   |   |   |   |   |      |       |   |     |   |   |   |   |   |       |   |   |   |       |   |     |   |   |   |   |   |       |   |   |   |       |   |     |   |   |   |   |   |       |   |   |   |      |   |     |   |   |   |   |   |   |   |   |   |      |   |     |   |   |   |   |   |   |   |   |   |      |   |     |   |   |   |   |   |   |   |   |   |      |   |
| 34  | 153,0 | 307,0   | -     | -      | -     | -           | - | -    | -    | 299,0 | -    |      |  |  |  |  |  |  |  |  |  |  |      |             |  |  |  |  |  |  |  |  |  |  |  |  |     |     |     |     |     |     |  |  |  |  |  |   |   |   |   |   |   |   |   |   |   |   |   |    |   |        |   |   |   |   |   |   |   |   |   |    |   |        |   |   |   |   |   |   |   |   |   |    |       |        |   |   |   |   |   |   |   |       |   |    |       |       |   |   |   |   |   |   |   |       |   |    |       |       |   |   |   |   |   |   |   |       |   |    |       |       |   |   |   |   |   |   |   |       |   |    |       |       |   |   |   |   |   |   |   |       |   |    |      |       |   |   |   |   |   |   |   |       |   |    |      |       |       |   |   |   |   |   |   |       |   |    |      |       |       |   |   |   |   |   |   |       |   |    |      |       |       |   |   |   |   |   |   |       |   |    |      |       |       |   |   |   |   |   |   |       |   |    |      |       |       |   |   |   |   |   |   |       |   |    |   |   |       |   |   |   |   |   |   |       |   |    |   |   |       |       |   |   |   |   |   |       |   |    |   |   |       |       |   |   |   |   |   |       |   |    |   |   |       |       |   |   |   |   |   |       |   |    |   |   |       |       |   |   |   |   |   |       |   |    |   |   |   |       |   |   |   |   |   |       |   |     |   |   |   |       |   |   |   |   |   |       |   |     |   |   |   |       |   |   |   |   |   |       |   |     |   |   |   |       |       |   |   |   |   |       |   |     |   |   |   |   |       |   |   |   |   |       |   |     |   |   |   |   |       |   |   |   |   |       |   |     |   |   |   |   |       |   |   |   |   |       |   |     |   |   |   |   |       |   |   |   |   |       |   |     |   |   |   |   |   |   |   |   |      |       |   |     |   |   |   |   |   |   |   |   |      |       |   |     |   |   |   |   |   |       |   |   |   |       |   |     |   |   |   |   |   |       |   |   |   |       |   |     |   |   |   |   |   |       |   |   |   |      |   |     |   |   |   |   |   |   |   |   |   |      |   |     |   |   |   |   |   |   |   |   |   |      |   |     |   |   |   |   |   |   |   |   |   |      |   |
| 38  | 135,0 | 298,0   | -     | -      | -     | -           | - | -    | -    | 299,0 | -    |      |  |  |  |  |  |  |  |  |  |  |      |             |  |  |  |  |  |  |  |  |  |  |  |  |     |     |     |     |     |     |  |  |  |  |  |   |   |   |   |   |   |   |   |   |   |   |   |    |   |        |   |   |   |   |   |   |   |   |   |    |   |        |   |   |   |   |   |   |   |   |   |    |       |        |   |   |   |   |   |   |   |       |   |    |       |       |   |   |   |   |   |   |   |       |   |    |       |       |   |   |   |   |   |   |   |       |   |    |       |       |   |   |   |   |   |   |   |       |   |    |       |       |   |   |   |   |   |   |   |       |   |    |      |       |   |   |   |   |   |   |   |       |   |    |      |       |       |   |   |   |   |   |   |       |   |    |      |       |       |   |   |   |   |   |   |       |   |    |      |       |       |   |   |   |   |   |   |       |   |    |      |       |       |   |   |   |   |   |   |       |   |    |      |       |       |   |   |   |   |   |   |       |   |    |   |   |       |   |   |   |   |   |   |       |   |    |   |   |       |       |   |   |   |   |   |       |   |    |   |   |       |       |   |   |   |   |   |       |   |    |   |   |       |       |   |   |   |   |   |       |   |    |   |   |       |       |   |   |   |   |   |       |   |    |   |   |   |       |   |   |   |   |   |       |   |     |   |   |   |       |   |   |   |   |   |       |   |     |   |   |   |       |   |   |   |   |   |       |   |     |   |   |   |       |       |   |   |   |   |       |   |     |   |   |   |   |       |   |   |   |   |       |   |     |   |   |   |   |       |   |   |   |   |       |   |     |   |   |   |   |       |   |   |   |   |       |   |     |   |   |   |   |       |   |   |   |   |       |   |     |   |   |   |   |   |   |   |   |      |       |   |     |   |   |   |   |   |   |   |   |      |       |   |     |   |   |   |   |   |       |   |   |   |       |   |     |   |   |   |   |   |       |   |   |   |       |   |     |   |   |   |   |   |       |   |   |   |      |   |     |   |   |   |   |   |   |   |   |   |      |   |     |   |   |   |   |   |   |   |   |   |      |   |     |   |   |   |   |   |   |   |   |   |      |   |
| 42  | 120,0 | 290,0   | -     | -      | -     | -           | - | -    | -    | 299,0 | -    |      |  |  |  |  |  |  |  |  |  |  |      |             |  |  |  |  |  |  |  |  |  |  |  |  |     |     |     |     |     |     |  |  |  |  |  |   |   |   |   |   |   |   |   |   |   |   |   |    |   |        |   |   |   |   |   |   |   |   |   |    |   |        |   |   |   |   |   |   |   |   |   |    |       |        |   |   |   |   |   |   |   |       |   |    |       |       |   |   |   |   |   |   |   |       |   |    |       |       |   |   |   |   |   |   |   |       |   |    |       |       |   |   |   |   |   |   |   |       |   |    |       |       |   |   |   |   |   |   |   |       |   |    |      |       |   |   |   |   |   |   |   |       |   |    |      |       |       |   |   |   |   |   |   |       |   |    |      |       |       |   |   |   |   |   |   |       |   |    |      |       |       |   |   |   |   |   |   |       |   |    |      |       |       |   |   |   |   |   |   |       |   |    |      |       |       |   |   |   |   |   |   |       |   |    |   |   |       |   |   |   |   |   |   |       |   |    |   |   |       |       |   |   |   |   |   |       |   |    |   |   |       |       |   |   |   |   |   |       |   |    |   |   |       |       |   |   |   |   |   |       |   |    |   |   |       |       |   |   |   |   |   |       |   |    |   |   |   |       |   |   |   |   |   |       |   |     |   |   |   |       |   |   |   |   |   |       |   |     |   |   |   |       |   |   |   |   |   |       |   |     |   |   |   |       |       |   |   |   |   |       |   |     |   |   |   |   |       |   |   |   |   |       |   |     |   |   |   |   |       |   |   |   |   |       |   |     |   |   |   |   |       |   |   |   |   |       |   |     |   |   |   |   |       |   |   |   |   |       |   |     |   |   |   |   |   |   |   |   |      |       |   |     |   |   |   |   |   |   |   |   |      |       |   |     |   |   |   |   |   |       |   |   |   |       |   |     |   |   |   |   |   |       |   |   |   |       |   |     |   |   |   |   |   |       |   |   |   |      |   |     |   |   |   |   |   |   |   |   |   |      |   |     |   |   |   |   |   |   |   |   |   |      |   |     |   |   |   |   |   |   |   |   |   |      |   |
| 46  | 108,0 | 282,0   | -     | -      | -     | -           | - | -    | -    | 299,0 | -    |      |  |  |  |  |  |  |  |  |  |  |      |             |  |  |  |  |  |  |  |  |  |  |  |  |     |     |     |     |     |     |  |  |  |  |  |   |   |   |   |   |   |   |   |   |   |   |   |    |   |        |   |   |   |   |   |   |   |   |   |    |   |        |   |   |   |   |   |   |   |   |   |    |       |        |   |   |   |   |   |   |   |       |   |    |       |       |   |   |   |   |   |   |   |       |   |    |       |       |   |   |   |   |   |   |   |       |   |    |       |       |   |   |   |   |   |   |   |       |   |    |       |       |   |   |   |   |   |   |   |       |   |    |      |       |   |   |   |   |   |   |   |       |   |    |      |       |       |   |   |   |   |   |   |       |   |    |      |       |       |   |   |   |   |   |   |       |   |    |      |       |       |   |   |   |   |   |   |       |   |    |      |       |       |   |   |   |   |   |   |       |   |    |      |       |       |   |   |   |   |   |   |       |   |    |   |   |       |   |   |   |   |   |   |       |   |    |   |   |       |       |   |   |   |   |   |       |   |    |   |   |       |       |   |   |   |   |   |       |   |    |   |   |       |       |   |   |   |   |   |       |   |    |   |   |       |       |   |   |   |   |   |       |   |    |   |   |   |       |   |   |   |   |   |       |   |     |   |   |   |       |   |   |   |   |   |       |   |     |   |   |   |       |   |   |   |   |   |       |   |     |   |   |   |       |       |   |   |   |   |       |   |     |   |   |   |   |       |   |   |   |   |       |   |     |   |   |   |   |       |   |   |   |   |       |   |     |   |   |   |   |       |   |   |   |   |       |   |     |   |   |   |   |       |   |   |   |   |       |   |     |   |   |   |   |   |   |   |   |      |       |   |     |   |   |   |   |   |   |   |   |      |       |   |     |   |   |   |   |   |       |   |   |   |       |   |     |   |   |   |   |   |       |   |   |   |       |   |     |   |   |   |   |   |       |   |   |   |      |   |     |   |   |   |   |   |   |   |   |   |      |   |     |   |   |   |   |   |   |   |   |   |      |   |     |   |   |   |   |   |   |   |   |   |      |   |
| 50  | 97,5  | 273,0   | -     | -      | -     | -           | - | -    | -    | 299,0 | -    |      |  |  |  |  |  |  |  |  |  |  |      |             |  |  |  |  |  |  |  |  |  |  |  |  |     |     |     |     |     |     |  |  |  |  |  |   |   |   |   |   |   |   |   |   |   |   |   |    |   |        |   |   |   |   |   |   |   |   |   |    |   |        |   |   |   |   |   |   |   |   |   |    |       |        |   |   |   |   |   |   |   |       |   |    |       |       |   |   |   |   |   |   |   |       |   |    |       |       |   |   |   |   |   |   |   |       |   |    |       |       |   |   |   |   |   |   |   |       |   |    |       |       |   |   |   |   |   |   |   |       |   |    |      |       |   |   |   |   |   |   |   |       |   |    |      |       |       |   |   |   |   |   |   |       |   |    |      |       |       |   |   |   |   |   |   |       |   |    |      |       |       |   |   |   |   |   |   |       |   |    |      |       |       |   |   |   |   |   |   |       |   |    |      |       |       |   |   |   |   |   |   |       |   |    |   |   |       |   |   |   |   |   |   |       |   |    |   |   |       |       |   |   |   |   |   |       |   |    |   |   |       |       |   |   |   |   |   |       |   |    |   |   |       |       |   |   |   |   |   |       |   |    |   |   |       |       |   |   |   |   |   |       |   |    |   |   |   |       |   |   |   |   |   |       |   |     |   |   |   |       |   |   |   |   |   |       |   |     |   |   |   |       |   |   |   |   |   |       |   |     |   |   |   |       |       |   |   |   |   |       |   |     |   |   |   |   |       |   |   |   |   |       |   |     |   |   |   |   |       |   |   |   |   |       |   |     |   |   |   |   |       |   |   |   |   |       |   |     |   |   |   |   |       |   |   |   |   |       |   |     |   |   |   |   |   |   |   |   |      |       |   |     |   |   |   |   |   |   |   |   |      |       |   |     |   |   |   |   |   |       |   |   |   |       |   |     |   |   |   |   |   |       |   |   |   |       |   |     |   |   |   |   |   |       |   |   |   |      |   |     |   |   |   |   |   |   |   |   |   |      |   |     |   |   |   |   |   |   |   |   |   |      |   |     |   |   |   |   |   |   |   |   |   |      |   |
| 54  | 88,0  | 265,0   | -     | -      | -     | -           | - | -    | -    | 293,0 | -    |      |  |  |  |  |  |  |  |  |  |  |      |             |  |  |  |  |  |  |  |  |  |  |  |  |     |     |     |     |     |     |  |  |  |  |  |   |   |   |   |   |   |   |   |   |   |   |   |    |   |        |   |   |   |   |   |   |   |   |   |    |   |        |   |   |   |   |   |   |   |   |   |    |       |        |   |   |   |   |   |   |   |       |   |    |       |       |   |   |   |   |   |   |   |       |   |    |       |       |   |   |   |   |   |   |   |       |   |    |       |       |   |   |   |   |   |   |   |       |   |    |       |       |   |   |   |   |   |   |   |       |   |    |      |       |   |   |   |   |   |   |   |       |   |    |      |       |       |   |   |   |   |   |   |       |   |    |      |       |       |   |   |   |   |   |   |       |   |    |      |       |       |   |   |   |   |   |   |       |   |    |      |       |       |   |   |   |   |   |   |       |   |    |      |       |       |   |   |   |   |   |   |       |   |    |   |   |       |   |   |   |   |   |   |       |   |    |   |   |       |       |   |   |   |   |   |       |   |    |   |   |       |       |   |   |   |   |   |       |   |    |   |   |       |       |   |   |   |   |   |       |   |    |   |   |       |       |   |   |   |   |   |       |   |    |   |   |   |       |   |   |   |   |   |       |   |     |   |   |   |       |   |   |   |   |   |       |   |     |   |   |   |       |   |   |   |   |   |       |   |     |   |   |   |       |       |   |   |   |   |       |   |     |   |   |   |   |       |   |   |   |   |       |   |     |   |   |   |   |       |   |   |   |   |       |   |     |   |   |   |   |       |   |   |   |   |       |   |     |   |   |   |   |       |   |   |   |   |       |   |     |   |   |   |   |   |   |   |   |      |       |   |     |   |   |   |   |   |   |   |   |      |       |   |     |   |   |   |   |   |       |   |   |   |       |   |     |   |   |   |   |   |       |   |   |   |       |   |     |   |   |   |   |   |       |   |   |   |      |   |     |   |   |   |   |   |   |   |   |   |      |   |     |   |   |   |   |   |   |   |   |   |      |   |     |   |   |   |   |   |   |   |   |   |      |   |
| 56  | 84,0  | 259,0   | 314,0 | -      | -     | -           | - | -    | -    | 288,5 | -    |      |  |  |  |  |  |  |  |  |  |  |      |             |  |  |  |  |  |  |  |  |  |  |  |  |     |     |     |     |     |     |  |  |  |  |  |   |   |   |   |   |   |   |   |   |   |   |   |    |   |        |   |   |   |   |   |   |   |   |   |    |   |        |   |   |   |   |   |   |   |   |   |    |       |        |   |   |   |   |   |   |   |       |   |    |       |       |   |   |   |   |   |   |   |       |   |    |       |       |   |   |   |   |   |   |   |       |   |    |       |       |   |   |   |   |   |   |   |       |   |    |       |       |   |   |   |   |   |   |   |       |   |    |      |       |   |   |   |   |   |   |   |       |   |    |      |       |       |   |   |   |   |   |   |       |   |    |      |       |       |   |   |   |   |   |   |       |   |    |      |       |       |   |   |   |   |   |   |       |   |    |      |       |       |   |   |   |   |   |   |       |   |    |      |       |       |   |   |   |   |   |   |       |   |    |   |   |       |   |   |   |   |   |   |       |   |    |   |   |       |       |   |   |   |   |   |       |   |    |   |   |       |       |   |   |   |   |   |       |   |    |   |   |       |       |   |   |   |   |   |       |   |    |   |   |       |       |   |   |   |   |   |       |   |    |   |   |   |       |   |   |   |   |   |       |   |     |   |   |   |       |   |   |   |   |   |       |   |     |   |   |   |       |   |   |   |   |   |       |   |     |   |   |   |       |       |   |   |   |   |       |   |     |   |   |   |   |       |   |   |   |   |       |   |     |   |   |   |   |       |   |   |   |   |       |   |     |   |   |   |   |       |   |   |   |   |       |   |     |   |   |   |   |       |   |   |   |   |       |   |     |   |   |   |   |   |   |   |   |      |       |   |     |   |   |   |   |   |   |   |   |      |       |   |     |   |   |   |   |   |       |   |   |   |       |   |     |   |   |   |   |   |       |   |   |   |       |   |     |   |   |   |   |   |       |   |   |   |      |   |     |   |   |   |   |   |   |   |   |   |      |   |     |   |   |   |   |   |   |   |   |   |      |   |     |   |   |   |   |   |   |   |   |   |      |   |
| 58  | 80,0  | 246,0   | 313,0 | -      | -     | -           | - | -    | -    | 284,0 | -    |      |  |  |  |  |  |  |  |  |  |  |      |             |  |  |  |  |  |  |  |  |  |  |  |  |     |     |     |     |     |     |  |  |  |  |  |   |   |   |   |   |   |   |   |   |   |   |   |    |   |        |   |   |   |   |   |   |   |   |   |    |   |        |   |   |   |   |   |   |   |   |   |    |       |        |   |   |   |   |   |   |   |       |   |    |       |       |   |   |   |   |   |   |   |       |   |    |       |       |   |   |   |   |   |   |   |       |   |    |       |       |   |   |   |   |   |   |   |       |   |    |       |       |   |   |   |   |   |   |   |       |   |    |      |       |   |   |   |   |   |   |   |       |   |    |      |       |       |   |   |   |   |   |   |       |   |    |      |       |       |   |   |   |   |   |   |       |   |    |      |       |       |   |   |   |   |   |   |       |   |    |      |       |       |   |   |   |   |   |   |       |   |    |      |       |       |   |   |   |   |   |   |       |   |    |   |   |       |   |   |   |   |   |   |       |   |    |   |   |       |       |   |   |   |   |   |       |   |    |   |   |       |       |   |   |   |   |   |       |   |    |   |   |       |       |   |   |   |   |   |       |   |    |   |   |       |       |   |   |   |   |   |       |   |    |   |   |   |       |   |   |   |   |   |       |   |     |   |   |   |       |   |   |   |   |   |       |   |     |   |   |   |       |   |   |   |   |   |       |   |     |   |   |   |       |       |   |   |   |   |       |   |     |   |   |   |   |       |   |   |   |   |       |   |     |   |   |   |   |       |   |   |   |   |       |   |     |   |   |   |   |       |   |   |   |   |       |   |     |   |   |   |   |       |   |   |   |   |       |   |     |   |   |   |   |   |   |   |   |      |       |   |     |   |   |   |   |   |   |   |   |      |       |   |     |   |   |   |   |   |       |   |   |   |       |   |     |   |   |   |   |   |       |   |   |   |       |   |     |   |   |   |   |   |       |   |   |   |      |   |     |   |   |   |   |   |   |   |   |   |      |   |     |   |   |   |   |   |   |   |   |   |      |   |     |   |   |   |   |   |   |   |   |   |      |   |
| 62  | 73,0  | 222,0   | 307,0 | -      | -     | -           | - | -    | -    | 273,0 | -    |      |  |  |  |  |  |  |  |  |  |  |      |             |  |  |  |  |  |  |  |  |  |  |  |  |     |     |     |     |     |     |  |  |  |  |  |   |   |   |   |   |   |   |   |   |   |   |   |    |   |        |   |   |   |   |   |   |   |   |   |    |   |        |   |   |   |   |   |   |   |   |   |    |       |        |   |   |   |   |   |   |   |       |   |    |       |       |   |   |   |   |   |   |   |       |   |    |       |       |   |   |   |   |   |   |   |       |   |    |       |       |   |   |   |   |   |   |   |       |   |    |       |       |   |   |   |   |   |   |   |       |   |    |      |       |   |   |   |   |   |   |   |       |   |    |      |       |       |   |   |   |   |   |   |       |   |    |      |       |       |   |   |   |   |   |   |       |   |    |      |       |       |   |   |   |   |   |   |       |   |    |      |       |       |   |   |   |   |   |   |       |   |    |      |       |       |   |   |   |   |   |   |       |   |    |   |   |       |   |   |   |   |   |   |       |   |    |   |   |       |       |   |   |   |   |   |       |   |    |   |   |       |       |   |   |   |   |   |       |   |    |   |   |       |       |   |   |   |   |   |       |   |    |   |   |       |       |   |   |   |   |   |       |   |    |   |   |   |       |   |   |   |   |   |       |   |     |   |   |   |       |   |   |   |   |   |       |   |     |   |   |   |       |   |   |   |   |   |       |   |     |   |   |   |       |       |   |   |   |   |       |   |     |   |   |   |   |       |   |   |   |   |       |   |     |   |   |   |   |       |   |   |   |   |       |   |     |   |   |   |   |       |   |   |   |   |       |   |     |   |   |   |   |       |   |   |   |   |       |   |     |   |   |   |   |   |   |   |   |      |       |   |     |   |   |   |   |   |   |   |   |      |       |   |     |   |   |   |   |   |       |   |   |   |       |   |     |   |   |   |   |   |       |   |   |   |       |   |     |   |   |   |   |   |       |   |   |   |      |   |     |   |   |   |   |   |   |   |   |   |      |   |     |   |   |   |   |   |   |   |   |   |      |   |     |   |   |   |   |   |   |   |   |   |      |   |
| 66  | 65,5  | 195,0   | 285,0 | -      | -     | -           | - | -    | -    | 265,0 | -    |      |  |  |  |  |  |  |  |  |  |  |      |             |  |  |  |  |  |  |  |  |  |  |  |  |     |     |     |     |     |     |  |  |  |  |  |   |   |   |   |   |   |   |   |   |   |   |   |    |   |        |   |   |   |   |   |   |   |   |   |    |   |        |   |   |   |   |   |   |   |   |   |    |       |        |   |   |   |   |   |   |   |       |   |    |       |       |   |   |   |   |   |   |   |       |   |    |       |       |   |   |   |   |   |   |   |       |   |    |       |       |   |   |   |   |   |   |   |       |   |    |       |       |   |   |   |   |   |   |   |       |   |    |      |       |   |   |   |   |   |   |   |       |   |    |      |       |       |   |   |   |   |   |   |       |   |    |      |       |       |   |   |   |   |   |   |       |   |    |      |       |       |   |   |   |   |   |   |       |   |    |      |       |       |   |   |   |   |   |   |       |   |    |      |       |       |   |   |   |   |   |   |       |   |    |   |   |       |   |   |   |   |   |   |       |   |    |   |   |       |       |   |   |   |   |   |       |   |    |   |   |       |       |   |   |   |   |   |       |   |    |   |   |       |       |   |   |   |   |   |       |   |    |   |   |       |       |   |   |   |   |   |       |   |    |   |   |   |       |   |   |   |   |   |       |   |     |   |   |   |       |   |   |   |   |   |       |   |     |   |   |   |       |   |   |   |   |   |       |   |     |   |   |   |       |       |   |   |   |   |       |   |     |   |   |   |   |       |   |   |   |   |       |   |     |   |   |   |   |       |   |   |   |   |       |   |     |   |   |   |   |       |   |   |   |   |       |   |     |   |   |   |   |       |   |   |   |   |       |   |     |   |   |   |   |   |   |   |   |      |       |   |     |   |   |   |   |   |   |   |   |      |       |   |     |   |   |   |   |   |       |   |   |   |       |   |     |   |   |   |   |   |       |   |   |   |       |   |     |   |   |   |   |   |       |   |   |   |      |   |     |   |   |   |   |   |   |   |   |   |      |   |     |   |   |   |   |   |   |   |   |   |      |   |     |   |   |   |   |   |   |   |   |   |      |   |
| 70  | -     | -       | 255,0 | -      | -     | -           | - | -    | -    | 257,0 | -    |      |  |  |  |  |  |  |  |  |  |  |      |             |  |  |  |  |  |  |  |  |  |  |  |  |     |     |     |     |     |     |  |  |  |  |  |   |   |   |   |   |   |   |   |   |   |   |   |    |   |        |   |   |   |   |   |   |   |   |   |    |   |        |   |   |   |   |   |   |   |   |   |    |       |        |   |   |   |   |   |   |   |       |   |    |       |       |   |   |   |   |   |   |   |       |   |    |       |       |   |   |   |   |   |   |   |       |   |    |       |       |   |   |   |   |   |   |   |       |   |    |       |       |   |   |   |   |   |   |   |       |   |    |      |       |   |   |   |   |   |   |   |       |   |    |      |       |       |   |   |   |   |   |   |       |   |    |      |       |       |   |   |   |   |   |   |       |   |    |      |       |       |   |   |   |   |   |   |       |   |    |      |       |       |   |   |   |   |   |   |       |   |    |      |       |       |   |   |   |   |   |   |       |   |    |   |   |       |   |   |   |   |   |   |       |   |    |   |   |       |       |   |   |   |   |   |       |   |    |   |   |       |       |   |   |   |   |   |       |   |    |   |   |       |       |   |   |   |   |   |       |   |    |   |   |       |       |   |   |   |   |   |       |   |    |   |   |   |       |   |   |   |   |   |       |   |     |   |   |   |       |   |   |   |   |   |       |   |     |   |   |   |       |   |   |   |   |   |       |   |     |   |   |   |       |       |   |   |   |   |       |   |     |   |   |   |   |       |   |   |   |   |       |   |     |   |   |   |   |       |   |   |   |   |       |   |     |   |   |   |   |       |   |   |   |   |       |   |     |   |   |   |   |       |   |   |   |   |       |   |     |   |   |   |   |   |   |   |   |      |       |   |     |   |   |   |   |   |   |   |   |      |       |   |     |   |   |   |   |   |       |   |   |   |       |   |     |   |   |   |   |   |       |   |   |   |       |   |     |   |   |   |   |   |       |   |   |   |      |   |     |   |   |   |   |   |   |   |   |   |      |   |     |   |   |   |   |   |   |   |   |   |      |   |     |   |   |   |   |   |   |   |   |   |      |   |
| 74  | -     | -       | 231,0 | -      | -     | -           | - | -    | -    | 245,0 | -    |      |  |  |  |  |  |  |  |  |  |  |      |             |  |  |  |  |  |  |  |  |  |  |  |  |     |     |     |     |     |     |  |  |  |  |  |   |   |   |   |   |   |   |   |   |   |   |   |    |   |        |   |   |   |   |   |   |   |   |   |    |   |        |   |   |   |   |   |   |   |   |   |    |       |        |   |   |   |   |   |   |   |       |   |    |       |       |   |   |   |   |   |   |   |       |   |    |       |       |   |   |   |   |   |   |   |       |   |    |       |       |   |   |   |   |   |   |   |       |   |    |       |       |   |   |   |   |   |   |   |       |   |    |      |       |   |   |   |   |   |   |   |       |   |    |      |       |       |   |   |   |   |   |   |       |   |    |      |       |       |   |   |   |   |   |   |       |   |    |      |       |       |   |   |   |   |   |   |       |   |    |      |       |       |   |   |   |   |   |   |       |   |    |      |       |       |   |   |   |   |   |   |       |   |    |   |   |       |   |   |   |   |   |   |       |   |    |   |   |       |       |   |   |   |   |   |       |   |    |   |   |       |       |   |   |   |   |   |       |   |    |   |   |       |       |   |   |   |   |   |       |   |    |   |   |       |       |   |   |   |   |   |       |   |    |   |   |   |       |   |   |   |   |   |       |   |     |   |   |   |       |   |   |   |   |   |       |   |     |   |   |   |       |   |   |   |   |   |       |   |     |   |   |   |       |       |   |   |   |   |       |   |     |   |   |   |   |       |   |   |   |   |       |   |     |   |   |   |   |       |   |   |   |   |       |   |     |   |   |   |   |       |   |   |   |   |       |   |     |   |   |   |   |       |   |   |   |   |       |   |     |   |   |   |   |   |   |   |   |      |       |   |     |   |   |   |   |   |   |   |   |      |       |   |     |   |   |   |   |   |       |   |   |   |       |   |     |   |   |   |   |   |       |   |   |   |       |   |     |   |   |   |   |   |       |   |   |   |      |   |     |   |   |   |   |   |   |   |   |   |      |   |     |   |   |   |   |   |   |   |   |   |      |   |     |   |   |   |   |   |   |   |   |   |      |   |
| 77  | -     | -       | 215,0 | 233,0  | -     | -           | - | -    | -    | 230,7 | -    |      |  |  |  |  |  |  |  |  |  |  |      |             |  |  |  |  |  |  |  |  |  |  |  |  |     |     |     |     |     |     |  |  |  |  |  |   |   |   |   |   |   |   |   |   |   |   |   |    |   |        |   |   |   |   |   |   |   |   |   |    |   |        |   |   |   |   |   |   |   |   |   |    |       |        |   |   |   |   |   |   |   |       |   |    |       |       |   |   |   |   |   |   |   |       |   |    |       |       |   |   |   |   |   |   |   |       |   |    |       |       |   |   |   |   |   |   |   |       |   |    |       |       |   |   |   |   |   |   |   |       |   |    |      |       |   |   |   |   |   |   |   |       |   |    |      |       |       |   |   |   |   |   |   |       |   |    |      |       |       |   |   |   |   |   |   |       |   |    |      |       |       |   |   |   |   |   |   |       |   |    |      |       |       |   |   |   |   |   |   |       |   |    |      |       |       |   |   |   |   |   |   |       |   |    |   |   |       |   |   |   |   |   |   |       |   |    |   |   |       |       |   |   |   |   |   |       |   |    |   |   |       |       |   |   |   |   |   |       |   |    |   |   |       |       |   |   |   |   |   |       |   |    |   |   |       |       |   |   |   |   |   |       |   |    |   |   |   |       |   |   |   |   |   |       |   |     |   |   |   |       |   |   |   |   |   |       |   |     |   |   |   |       |   |   |   |   |   |       |   |     |   |   |   |       |       |   |   |   |   |       |   |     |   |   |   |   |       |   |   |   |   |       |   |     |   |   |   |   |       |   |   |   |   |       |   |     |   |   |   |   |       |   |   |   |   |       |   |     |   |   |   |   |       |   |   |   |   |       |   |     |   |   |   |   |   |   |   |   |      |       |   |     |   |   |   |   |   |   |   |   |      |       |   |     |   |   |   |   |   |       |   |   |   |       |   |     |   |   |   |   |   |       |   |   |   |       |   |     |   |   |   |   |   |       |   |   |   |      |   |     |   |   |   |   |   |   |   |   |   |      |   |     |   |   |   |   |   |   |   |   |   |      |   |     |   |   |   |   |   |   |   |   |   |      |   |
| 78  | -     | -       | 210,0 | 229,0  | -     | -           | - | -    | -    | 226,0 | -    |      |  |  |  |  |  |  |  |  |  |  |      |             |  |  |  |  |  |  |  |  |  |  |  |  |     |     |     |     |     |     |  |  |  |  |  |   |   |   |   |   |   |   |   |   |   |   |   |    |   |        |   |   |   |   |   |   |   |   |   |    |   |        |   |   |   |   |   |   |   |   |   |    |       |        |   |   |   |   |   |   |   |       |   |    |       |       |   |   |   |   |   |   |   |       |   |    |       |       |   |   |   |   |   |   |   |       |   |    |       |       |   |   |   |   |   |   |   |       |   |    |       |       |   |   |   |   |   |   |   |       |   |    |      |       |   |   |   |   |   |   |   |       |   |    |      |       |       |   |   |   |   |   |   |       |   |    |      |       |       |   |   |   |   |   |   |       |   |    |      |       |       |   |   |   |   |   |   |       |   |    |      |       |       |   |   |   |   |   |   |       |   |    |      |       |       |   |   |   |   |   |   |       |   |    |   |   |       |   |   |   |   |   |   |       |   |    |   |   |       |       |   |   |   |   |   |       |   |    |   |   |       |       |   |   |   |   |   |       |   |    |   |   |       |       |   |   |   |   |   |       |   |    |   |   |       |       |   |   |   |   |   |       |   |    |   |   |   |       |   |   |   |   |   |       |   |     |   |   |   |       |   |   |   |   |   |       |   |     |   |   |   |       |   |   |   |   |   |       |   |     |   |   |   |       |       |   |   |   |   |       |   |     |   |   |   |   |       |   |   |   |   |       |   |     |   |   |   |   |       |   |   |   |   |       |   |     |   |   |   |   |       |   |   |   |   |       |   |     |   |   |   |   |       |   |   |   |   |       |   |     |   |   |   |   |   |   |   |   |      |       |   |     |   |   |   |   |   |   |   |   |      |       |   |     |   |   |   |   |   |       |   |   |   |       |   |     |   |   |   |   |   |       |   |   |   |       |   |     |   |   |   |   |   |       |   |   |   |      |   |     |   |   |   |   |   |   |   |   |   |      |   |     |   |   |   |   |   |   |   |   |   |      |   |     |   |   |   |   |   |   |   |   |   |      |   |
| 80  | -     | -       | 200,0 | 222,0  | -     | -           | - | -    | -    | 217,5 | -    |      |  |  |  |  |  |  |  |  |  |  |      |             |  |  |  |  |  |  |  |  |  |  |  |  |     |     |     |     |     |     |  |  |  |  |  |   |   |   |   |   |   |   |   |   |   |   |   |    |   |        |   |   |   |   |   |   |   |   |   |    |   |        |   |   |   |   |   |   |   |   |   |    |       |        |   |   |   |   |   |   |   |       |   |    |       |       |   |   |   |   |   |   |   |       |   |    |       |       |   |   |   |   |   |   |   |       |   |    |       |       |   |   |   |   |   |   |   |       |   |    |       |       |   |   |   |   |   |   |   |       |   |    |      |       |   |   |   |   |   |   |   |       |   |    |      |       |       |   |   |   |   |   |   |       |   |    |      |       |       |   |   |   |   |   |   |       |   |    |      |       |       |   |   |   |   |   |   |       |   |    |      |       |       |   |   |   |   |   |   |       |   |    |      |       |       |   |   |   |   |   |   |       |   |    |   |   |       |   |   |   |   |   |   |       |   |    |   |   |       |       |   |   |   |   |   |       |   |    |   |   |       |       |   |   |   |   |   |       |   |    |   |   |       |       |   |   |   |   |   |       |   |    |   |   |       |       |   |   |   |   |   |       |   |    |   |   |   |       |   |   |   |   |   |       |   |     |   |   |   |       |   |   |   |   |   |       |   |     |   |   |   |       |   |   |   |   |   |       |   |     |   |   |   |       |       |   |   |   |   |       |   |     |   |   |   |   |       |   |   |   |   |       |   |     |   |   |   |   |       |   |   |   |   |       |   |     |   |   |   |   |       |   |   |   |   |       |   |     |   |   |   |   |       |   |   |   |   |       |   |     |   |   |   |   |   |   |   |   |      |       |   |     |   |   |   |   |   |   |   |   |      |       |   |     |   |   |   |   |   |       |   |   |   |       |   |     |   |   |   |   |   |       |   |   |   |       |   |     |   |   |   |   |   |       |   |   |   |      |   |     |   |   |   |   |   |   |   |   |   |      |   |     |   |   |   |   |   |   |   |   |   |      |   |     |   |   |   |   |   |   |   |   |   |      |   |
| 82  | -     | -       | -     | 216,0  | -     | -           | - | -    | -    | 209,0 | -    |      |  |  |  |  |  |  |  |  |  |  |      |             |  |  |  |  |  |  |  |  |  |  |  |  |     |     |     |     |     |     |  |  |  |  |  |   |   |   |   |   |   |   |   |   |   |   |   |    |   |        |   |   |   |   |   |   |   |   |   |    |   |        |   |   |   |   |   |   |   |   |   |    |       |        |   |   |   |   |   |   |   |       |   |    |       |       |   |   |   |   |   |   |   |       |   |    |       |       |   |   |   |   |   |   |   |       |   |    |       |       |   |   |   |   |   |   |   |       |   |    |       |       |   |   |   |   |   |   |   |       |   |    |      |       |   |   |   |   |   |   |   |       |   |    |      |       |       |   |   |   |   |   |   |       |   |    |      |       |       |   |   |   |   |   |   |       |   |    |      |       |       |   |   |   |   |   |   |       |   |    |      |       |       |   |   |   |   |   |   |       |   |    |      |       |       |   |   |   |   |   |   |       |   |    |   |   |       |   |   |   |   |   |   |       |   |    |   |   |       |       |   |   |   |   |   |       |   |    |   |   |       |       |   |   |   |   |   |       |   |    |   |   |       |       |   |   |   |   |   |       |   |    |   |   |       |       |   |   |   |   |   |       |   |    |   |   |   |       |   |   |   |   |   |       |   |     |   |   |   |       |   |   |   |   |   |       |   |     |   |   |   |       |   |   |   |   |   |       |   |     |   |   |   |       |       |   |   |   |   |       |   |     |   |   |   |   |       |   |   |   |   |       |   |     |   |   |   |   |       |   |   |   |   |       |   |     |   |   |   |   |       |   |   |   |   |       |   |     |   |   |   |   |       |   |   |   |   |       |   |     |   |   |   |   |   |   |   |   |      |       |   |     |   |   |   |   |   |   |   |   |      |       |   |     |   |   |   |   |   |       |   |   |   |       |   |     |   |   |   |   |   |       |   |   |   |       |   |     |   |   |   |   |   |       |   |   |   |      |   |     |   |   |   |   |   |   |   |   |   |      |   |     |   |   |   |   |   |   |   |   |   |      |   |     |   |   |   |   |   |   |   |   |   |      |   |
| 86  | -     | -       | -     | 204,0  | -     | -           | - | -    | -    | 193,0 | -    |      |  |  |  |  |  |  |  |  |  |  |      |             |  |  |  |  |  |  |  |  |  |  |  |  |     |     |     |     |     |     |  |  |  |  |  |   |   |   |   |   |   |   |   |   |   |   |   |    |   |        |   |   |   |   |   |   |   |   |   |    |   |        |   |   |   |   |   |   |   |   |   |    |       |        |   |   |   |   |   |   |   |       |   |    |       |       |   |   |   |   |   |   |   |       |   |    |       |       |   |   |   |   |   |   |   |       |   |    |       |       |   |   |   |   |   |   |   |       |   |    |       |       |   |   |   |   |   |   |   |       |   |    |      |       |   |   |   |   |   |   |   |       |   |    |      |       |       |   |   |   |   |   |   |       |   |    |      |       |       |   |   |   |   |   |   |       |   |    |      |       |       |   |   |   |   |   |   |       |   |    |      |       |       |   |   |   |   |   |   |       |   |    |      |       |       |   |   |   |   |   |   |       |   |    |   |   |       |   |   |   |   |   |   |       |   |    |   |   |       |       |   |   |   |   |   |       |   |    |   |   |       |       |   |   |   |   |   |       |   |    |   |   |       |       |   |   |   |   |   |       |   |    |   |   |       |       |   |   |   |   |   |       |   |    |   |   |   |       |   |   |   |   |   |       |   |     |   |   |   |       |   |   |   |   |   |       |   |     |   |   |   |       |   |   |   |   |   |       |   |     |   |   |   |       |       |   |   |   |   |       |   |     |   |   |   |   |       |   |   |   |   |       |   |     |   |   |   |   |       |   |   |   |   |       |   |     |   |   |   |   |       |   |   |   |   |       |   |     |   |   |   |   |       |   |   |   |   |       |   |     |   |   |   |   |   |   |   |   |      |       |   |     |   |   |   |   |   |   |   |   |      |       |   |     |   |   |   |   |   |       |   |   |   |       |   |     |   |   |   |   |   |       |   |   |   |       |   |     |   |   |   |   |   |       |   |   |   |      |   |     |   |   |   |   |   |   |   |   |   |      |   |     |   |   |   |   |   |   |   |   |   |      |   |     |   |   |   |   |   |   |   |   |   |      |   |
| 90  | -     | -       | -     | 193,0  | -     | -           | - | -    | -    | 179,0 | -    |      |  |  |  |  |  |  |  |  |  |  |      |             |  |  |  |  |  |  |  |  |  |  |  |  |     |     |     |     |     |     |  |  |  |  |  |   |   |   |   |   |   |   |   |   |   |   |   |    |   |        |   |   |   |   |   |   |   |   |   |    |   |        |   |   |   |   |   |   |   |   |   |    |       |        |   |   |   |   |   |   |   |       |   |    |       |       |   |   |   |   |   |   |   |       |   |    |       |       |   |   |   |   |   |   |   |       |   |    |       |       |   |   |   |   |   |   |   |       |   |    |       |       |   |   |   |   |   |   |   |       |   |    |      |       |   |   |   |   |   |   |   |       |   |    |      |       |       |   |   |   |   |   |   |       |   |    |      |       |       |   |   |   |   |   |   |       |   |    |      |       |       |   |   |   |   |   |   |       |   |    |      |       |       |   |   |   |   |   |   |       |   |    |      |       |       |   |   |   |   |   |   |       |   |    |   |   |       |   |   |   |   |   |   |       |   |    |   |   |       |       |   |   |   |   |   |       |   |    |   |   |       |       |   |   |   |   |   |       |   |    |   |   |       |       |   |   |   |   |   |       |   |    |   |   |       |       |   |   |   |   |   |       |   |    |   |   |   |       |   |   |   |   |   |       |   |     |   |   |   |       |   |   |   |   |   |       |   |     |   |   |   |       |   |   |   |   |   |       |   |     |   |   |   |       |       |   |   |   |   |       |   |     |   |   |   |   |       |   |   |   |   |       |   |     |   |   |   |   |       |   |   |   |   |       |   |     |   |   |   |   |       |   |   |   |   |       |   |     |   |   |   |   |       |   |   |   |   |       |   |     |   |   |   |   |   |   |   |   |      |       |   |     |   |   |   |   |   |   |   |   |      |       |   |     |   |   |   |   |   |       |   |   |   |       |   |     |   |   |   |   |   |       |   |   |   |       |   |     |   |   |   |   |   |       |   |   |   |      |   |     |   |   |   |   |   |   |   |   |   |      |   |     |   |   |   |   |   |   |   |   |   |      |   |     |   |   |   |   |   |   |   |   |   |      |   |
| 94  | -     | -       | -     | 183,0  | -     | -           | - | -    | -    | 166,0 | -    |      |  |  |  |  |  |  |  |  |  |  |      |             |  |  |  |  |  |  |  |  |  |  |  |  |     |     |     |     |     |     |  |  |  |  |  |   |   |   |   |   |   |   |   |   |   |   |   |    |   |        |   |   |   |   |   |   |   |   |   |    |   |        |   |   |   |   |   |   |   |   |   |    |       |        |   |   |   |   |   |   |   |       |   |    |       |       |   |   |   |   |   |   |   |       |   |    |       |       |   |   |   |   |   |   |   |       |   |    |       |       |   |   |   |   |   |   |   |       |   |    |       |       |   |   |   |   |   |   |   |       |   |    |      |       |   |   |   |   |   |   |   |       |   |    |      |       |       |   |   |   |   |   |   |       |   |    |      |       |       |   |   |   |   |   |   |       |   |    |      |       |       |   |   |   |   |   |   |       |   |    |      |       |       |   |   |   |   |   |   |       |   |    |      |       |       |   |   |   |   |   |   |       |   |    |   |   |       |   |   |   |   |   |   |       |   |    |   |   |       |       |   |   |   |   |   |       |   |    |   |   |       |       |   |   |   |   |   |       |   |    |   |   |       |       |   |   |   |   |   |       |   |    |   |   |       |       |   |   |   |   |   |       |   |    |   |   |   |       |   |   |   |   |   |       |   |     |   |   |   |       |   |   |   |   |   |       |   |     |   |   |   |       |   |   |   |   |   |       |   |     |   |   |   |       |       |   |   |   |   |       |   |     |   |   |   |   |       |   |   |   |   |       |   |     |   |   |   |   |       |   |   |   |   |       |   |     |   |   |   |   |       |   |   |   |   |       |   |     |   |   |   |   |       |   |   |   |   |       |   |     |   |   |   |   |   |   |   |   |      |       |   |     |   |   |   |   |   |   |   |   |      |       |   |     |   |   |   |   |   |       |   |   |   |       |   |     |   |   |   |   |   |       |   |   |   |       |   |     |   |   |   |   |   |       |   |   |   |      |   |     |   |   |   |   |   |   |   |   |   |      |   |     |   |   |   |   |   |   |   |   |   |      |   |     |   |   |   |   |   |   |   |   |   |      |   |
| 96  | -     | -       | -     | -      | 162,0 | -           | - | -    | -    | 160,0 | -    |      |  |  |  |  |  |  |  |  |  |  |      |             |  |  |  |  |  |  |  |  |  |  |  |  |     |     |     |     |     |     |  |  |  |  |  |   |   |   |   |   |   |   |   |   |   |   |   |    |   |        |   |   |   |   |   |   |   |   |   |    |   |        |   |   |   |   |   |   |   |   |   |    |       |        |   |   |   |   |   |   |   |       |   |    |       |       |   |   |   |   |   |   |   |       |   |    |       |       |   |   |   |   |   |   |   |       |   |    |       |       |   |   |   |   |   |   |   |       |   |    |       |       |   |   |   |   |   |   |   |       |   |    |      |       |   |   |   |   |   |   |   |       |   |    |      |       |       |   |   |   |   |   |   |       |   |    |      |       |       |   |   |   |   |   |   |       |   |    |      |       |       |   |   |   |   |   |   |       |   |    |      |       |       |   |   |   |   |   |   |       |   |    |      |       |       |   |   |   |   |   |   |       |   |    |   |   |       |   |   |   |   |   |   |       |   |    |   |   |       |       |   |   |   |   |   |       |   |    |   |   |       |       |   |   |   |   |   |       |   |    |   |   |       |       |   |   |   |   |   |       |   |    |   |   |       |       |   |   |   |   |   |       |   |    |   |   |   |       |   |   |   |   |   |       |   |     |   |   |   |       |   |   |   |   |   |       |   |     |   |   |   |       |   |   |   |   |   |       |   |     |   |   |   |       |       |   |   |   |   |       |   |     |   |   |   |   |       |   |   |   |   |       |   |     |   |   |   |   |       |   |   |   |   |       |   |     |   |   |   |   |       |   |   |   |   |       |   |     |   |   |   |   |       |   |   |   |   |       |   |     |   |   |   |   |   |   |   |   |      |       |   |     |   |   |   |   |   |   |   |   |      |       |   |     |   |   |   |   |   |       |   |   |   |       |   |     |   |   |   |   |   |       |   |   |   |       |   |     |   |   |   |   |   |       |   |   |   |      |   |     |   |   |   |   |   |   |   |   |   |      |   |     |   |   |   |   |   |   |   |   |   |      |   |     |   |   |   |   |   |   |   |   |   |      |   |
| 98  | -     | -       | -     | -      | 158,0 | -           | - | -    | -    | 154,0 | -    |      |  |  |  |  |  |  |  |  |  |  |      |             |  |  |  |  |  |  |  |  |  |  |  |  |     |     |     |     |     |     |  |  |  |  |  |   |   |   |   |   |   |   |   |   |   |   |   |    |   |        |   |   |   |   |   |   |   |   |   |    |   |        |   |   |   |   |   |   |   |   |   |    |       |        |   |   |   |   |   |   |   |       |   |    |       |       |   |   |   |   |   |   |   |       |   |    |       |       |   |   |   |   |   |   |   |       |   |    |       |       |   |   |   |   |   |   |   |       |   |    |       |       |   |   |   |   |   |   |   |       |   |    |      |       |   |   |   |   |   |   |   |       |   |    |      |       |       |   |   |   |   |   |   |       |   |    |      |       |       |   |   |   |   |   |   |       |   |    |      |       |       |   |   |   |   |   |   |       |   |    |      |       |       |   |   |   |   |   |   |       |   |    |      |       |       |   |   |   |   |   |   |       |   |    |   |   |       |   |   |   |   |   |   |       |   |    |   |   |       |       |   |   |   |   |   |       |   |    |   |   |       |       |   |   |   |   |   |       |   |    |   |   |       |       |   |   |   |   |   |       |   |    |   |   |       |       |   |   |   |   |   |       |   |    |   |   |   |       |   |   |   |   |   |       |   |     |   |   |   |       |   |   |   |   |   |       |   |     |   |   |   |       |   |   |   |   |   |       |   |     |   |   |   |       |       |   |   |   |   |       |   |     |   |   |   |   |       |   |   |   |   |       |   |     |   |   |   |   |       |   |   |   |   |       |   |     |   |   |   |   |       |   |   |   |   |       |   |     |   |   |   |   |       |   |   |   |   |       |   |     |   |   |   |   |   |   |   |   |      |       |   |     |   |   |   |   |   |   |   |   |      |       |   |     |   |   |   |   |   |       |   |   |   |       |   |     |   |   |   |   |   |       |   |   |   |       |   |     |   |   |   |   |   |       |   |   |   |      |   |     |   |   |   |   |   |   |   |   |   |      |   |     |   |   |   |   |   |   |   |   |   |      |   |     |   |   |   |   |   |   |   |   |   |      |   |
| 102   | -     | -       | -     | -      | 150,0 | -           | - | -    | -    | 144,0 | -    |      |  |  |  |  |  |  |  |  |  |  |      |             |  |  |  |  |  |  |  |  |  |  |  |  |     |     |     |     |     |     |  |  |  |  |  |   |   |   |   |   |   |   |   |   |   |   |   |    |   |        |   |   |   |   |   |   |   |   |   |    |   |        |   |   |   |   |   |   |   |   |   |    |       |        |   |   |   |   |   |   |   |       |   |    |       |       |   |   |   |   |   |   |   |       |   |    |       |       |   |   |   |   |   |   |   |       |   |    |       |       |   |   |   |   |   |   |   |       |   |    |       |       |   |   |   |   |   |   |   |       |   |    |      |       |   |   |   |   |   |   |   |       |   |    |      |       |       |   |   |   |   |   |   |       |   |    |      |       |       |   |   |   |   |   |   |       |   |    |      |       |       |   |   |   |   |   |   |       |   |    |      |       |       |   |   |   |   |   |   |       |   |    |      |       |       |   |   |   |   |   |   |       |   |    |   |   |       |   |   |   |   |   |   |       |   |    |   |   |       |       |   |   |   |   |   |       |   |    |   |   |       |       |   |   |   |   |   |       |   |    |   |   |       |       |   |   |   |   |   |       |   |    |   |   |       |       |   |   |   |   |   |       |   |    |   |   |   |       |   |   |   |   |   |       |   |     |   |   |   |       |   |   |   |   |   |       |   |     |   |   |   |       |   |   |   |   |   |       |   |     |   |   |   |       |       |   |   |   |   |       |   |     |   |   |   |   |       |   |   |   |   |       |   |     |   |   |   |   |       |   |   |   |   |       |   |     |   |   |   |   |       |   |   |   |   |       |   |     |   |   |   |   |       |   |   |   |   |       |   |     |   |   |   |   |   |   |   |   |      |       |   |     |   |   |   |   |   |   |   |   |      |       |   |     |   |   |   |   |   |       |   |   |   |       |   |     |   |   |   |   |   |       |   |   |   |       |   |     |   |   |   |   |   |       |   |   |   |      |   |     |   |   |   |   |   |   |   |   |   |      |   |     |   |   |   |   |   |   |   |   |   |      |   |     |   |   |   |   |   |   |   |   |   |      |   |
| 104   | -     | -       | -     | -      | 146,0 | -           | - | -    | -    | 137,0 | -    |      |  |  |  |  |  |  |  |  |  |  |      |             |  |  |  |  |  |  |  |  |  |  |  |  |     |     |     |     |     |     |  |  |  |  |  |   |   |   |   |   |   |   |   |   |   |   |   |    |   |        |   |   |   |   |   |   |   |   |   |    |   |        |   |   |   |   |   |   |   |   |   |    |       |        |   |   |   |   |   |   |   |       |   |    |       |       |   |   |   |   |   |   |   |       |   |    |       |       |   |   |   |   |   |   |   |       |   |    |       |       |   |   |   |   |   |   |   |       |   |    |       |       |   |   |   |   |   |   |   |       |   |    |      |       |   |   |   |   |   |   |   |       |   |    |      |       |       |   |   |   |   |   |   |       |   |    |      |       |       |   |   |   |   |   |   |       |   |    |      |       |       |   |   |   |   |   |   |       |   |    |      |       |       |   |   |   |   |   |   |       |   |    |      |       |       |   |   |   |   |   |   |       |   |    |   |   |       |   |   |   |   |   |   |       |   |    |   |   |       |       |   |   |   |   |   |       |   |    |   |   |       |       |   |   |   |   |   |       |   |    |   |   |       |       |   |   |   |   |   |       |   |    |   |   |       |       |   |   |   |   |   |       |   |    |   |   |   |       |   |   |   |   |   |       |   |     |   |   |   |       |   |   |   |   |   |       |   |     |   |   |   |       |   |   |   |   |   |       |   |     |   |   |   |       |       |   |   |   |   |       |   |     |   |   |   |   |       |   |   |   |   |       |   |     |   |   |   |   |       |   |   |   |   |       |   |     |   |   |   |   |       |   |   |   |   |       |   |     |   |   |   |   |       |   |   |   |   |       |   |     |   |   |   |   |   |   |   |   |      |       |   |     |   |   |   |   |   |   |   |   |      |       |   |     |   |   |   |   |   |       |   |   |   |       |   |     |   |   |   |   |   |       |   |   |   |       |   |     |   |   |   |   |   |       |   |   |   |      |   |     |   |   |   |   |   |   |   |   |   |      |   |     |   |   |   |   |   |   |   |   |   |      |   |     |   |   |   |   |   |   |   |   |   |      |   |
| 106   | -     | -       | -     | -      | -     | -           | - | -    | -    | 130,0 | -    |      |  |  |  |  |  |  |  |  |  |  |      |             |  |  |  |  |  |  |  |  |  |  |  |  |     |     |     |     |     |     |  |  |  |  |  |   |   |   |   |   |   |   |   |   |   |   |   |    |   |        |   |   |   |   |   |   |   |   |   |    |   |        |   |   |   |   |   |   |   |   |   |    |       |        |   |   |   |   |   |   |   |       |   |    |       |       |   |   |   |   |   |   |   |       |   |    |       |       |   |   |   |   |   |   |   |       |   |    |       |       |   |   |   |   |   |   |   |       |   |    |       |       |   |   |   |   |   |   |   |       |   |    |      |       |   |   |   |   |   |   |   |       |   |    |      |       |       |   |   |   |   |   |   |       |   |    |      |       |       |   |   |   |   |   |   |       |   |    |      |       |       |   |   |   |   |   |   |       |   |    |      |       |       |   |   |   |   |   |   |       |   |    |      |       |       |   |   |   |   |   |   |       |   |    |   |   |       |   |   |   |   |   |   |       |   |    |   |   |       |       |   |   |   |   |   |       |   |    |   |   |       |       |   |   |   |   |   |       |   |    |   |   |       |       |   |   |   |   |   |       |   |    |   |   |       |       |   |   |   |   |   |       |   |    |   |   |   |       |   |   |   |   |   |       |   |     |   |   |   |       |   |   |   |   |   |       |   |     |   |   |   |       |   |   |   |   |   |       |   |     |   |   |   |       |       |   |   |   |   |       |   |     |   |   |   |   |       |   |   |   |   |       |   |     |   |   |   |   |       |   |   |   |   |       |   |     |   |   |   |   |       |   |   |   |   |       |   |     |   |   |   |   |       |   |   |   |   |       |   |     |   |   |   |   |   |   |   |   |      |       |   |     |   |   |   |   |   |   |   |   |      |       |   |     |   |   |   |   |   |       |   |   |   |       |   |     |   |   |   |   |   |       |   |   |   |       |   |     |   |   |   |   |   |       |   |   |   |      |   |     |   |   |   |   |   |   |   |   |   |      |   |     |   |   |   |   |   |   |   |   |   |      |   |     |   |   |   |   |   |   |   |   |   |      |   |
| 110   | -     | -       | -     | -      | -     | -           | - | -    | -    | 116,0 | -    |      |  |  |  |  |  |  |  |  |  |  |      |             |  |  |  |  |  |  |  |  |  |  |  |  |     |     |     |     |     |     |  |  |  |  |  |   |   |   |   |   |   |   |   |   |   |   |   |    |   |        |   |   |   |   |   |   |   |   |   |    |   |        |   |   |   |   |   |   |   |   |   |    |       |        |   |   |   |   |   |   |   |       |   |    |       |       |   |   |   |   |   |   |   |       |   |    |       |       |   |   |   |   |   |   |   |       |   |    |       |       |   |   |   |   |   |   |   |       |   |    |       |       |   |   |   |   |   |   |   |       |   |    |      |       |   |   |   |   |   |   |   |       |   |    |      |       |       |   |   |   |   |   |   |       |   |    |      |       |       |   |   |   |   |   |   |       |   |    |      |       |       |   |   |   |   |   |   |       |   |    |      |       |       |   |   |   |   |   |   |       |   |    |      |       |       |   |   |   |   |   |   |       |   |    |   |   |       |   |   |   |   |   |   |       |   |    |   |   |       |       |   |   |   |   |   |       |   |    |   |   |       |       |   |   |   |   |   |       |   |    |   |   |       |       |   |   |   |   |   |       |   |    |   |   |       |       |   |   |   |   |   |       |   |    |   |   |   |       |   |   |   |   |   |       |   |     |   |   |   |       |   |   |   |   |   |       |   |     |   |   |   |       |   |   |   |   |   |       |   |     |   |   |   |       |       |   |   |   |   |       |   |     |   |   |   |   |       |   |   |   |   |       |   |     |   |   |   |   |       |   |   |   |   |       |   |     |   |   |   |   |       |   |   |   |   |       |   |     |   |   |   |   |       |   |   |   |   |       |   |     |   |   |   |   |   |   |   |   |      |       |   |     |   |   |   |   |   |   |   |   |      |       |   |     |   |   |   |   |   |       |   |   |   |       |   |     |   |   |   |   |   |       |   |   |   |       |   |     |   |   |   |   |   |       |   |   |   |      |   |     |   |   |   |   |   |   |   |   |   |      |   |     |   |   |   |   |   |   |   |   |   |      |   |     |   |   |   |   |   |   |   |   |   |      |   |
| 112   | -     | -       | -     | -      | -     | 111,0       | - | -    | -    | 109,5 | -    |      |  |  |  |  |  |  |  |  |  |  |      |             |  |  |  |  |  |  |  |  |  |  |  |  |     |     |     |     |     |     |  |  |  |  |  |   |   |   |   |   |   |   |   |   |   |   |   |    |   |        |   |   |   |   |   |   |   |   |   |    |   |        |   |   |   |   |   |   |   |   |   |    |       |        |   |   |   |   |   |   |   |       |   |    |       |       |   |   |   |   |   |   |   |       |   |    |       |       |   |   |   |   |   |   |   |       |   |    |       |       |   |   |   |   |   |   |   |       |   |    |       |       |   |   |   |   |   |   |   |       |   |    |      |       |   |   |   |   |   |   |   |       |   |    |      |       |       |   |   |   |   |   |   |       |   |    |      |       |       |   |   |   |   |   |   |       |   |    |      |       |       |   |   |   |   |   |   |       |   |    |      |       |       |   |   |   |   |   |   |       |   |    |      |       |       |   |   |   |   |   |   |       |   |    |   |   |       |   |   |   |   |   |   |       |   |    |   |   |       |       |   |   |   |   |   |       |   |    |   |   |       |       |   |   |   |   |   |       |   |    |   |   |       |       |   |   |   |   |   |       |   |    |   |   |       |       |   |   |   |   |   |       |   |    |   |   |   |       |   |   |   |   |   |       |   |     |   |   |   |       |   |   |   |   |   |       |   |     |   |   |   |       |   |   |   |   |   |       |   |     |   |   |   |       |       |   |   |   |   |       |   |     |   |   |   |   |       |   |   |   |   |       |   |     |   |   |   |   |       |   |   |   |   |       |   |     |   |   |   |   |       |   |   |   |   |       |   |     |   |   |   |   |       |   |   |   |   |       |   |     |   |   |   |   |   |   |   |   |      |       |   |     |   |   |   |   |   |   |   |   |      |       |   |     |   |   |   |   |   |       |   |   |   |       |   |     |   |   |   |   |   |       |   |   |   |       |   |     |   |   |   |   |   |       |   |   |   |      |   |     |   |   |   |   |   |   |   |   |   |      |   |     |   |   |   |   |   |   |   |   |   |      |   |     |   |   |   |   |   |   |   |   |   |      |   |
| 114   | -     | -       | -     | -      | -     | 108,0       | - | -    | -    | 103,0 | -    |      |  |  |  |  |  |  |  |  |  |  |      |             |  |  |  |  |  |  |  |  |  |  |  |  |     |     |     |     |     |     |  |  |  |  |  |   |   |   |   |   |   |   |   |   |   |   |   |    |   |        |   |   |   |   |   |   |   |   |   |    |   |        |   |   |   |   |   |   |   |   |   |    |       |        |   |   |   |   |   |   |   |       |   |    |       |       |   |   |   |   |   |   |   |       |   |    |       |       |   |   |   |   |   |   |   |       |   |    |       |       |   |   |   |   |   |   |   |       |   |    |       |       |   |   |   |   |   |   |   |       |   |    |      |       |   |   |   |   |   |   |   |       |   |    |      |       |       |   |   |   |   |   |   |       |   |    |      |       |       |   |   |   |   |   |   |       |   |    |      |       |       |   |   |   |   |   |   |       |   |    |      |       |       |   |   |   |   |   |   |       |   |    |      |       |       |   |   |   |   |   |   |       |   |    |   |   |       |   |   |   |   |   |   |       |   |    |   |   |       |       |   |   |   |   |   |       |   |    |   |   |       |       |   |   |   |   |   |       |   |    |   |   |       |       |   |   |   |   |   |       |   |    |   |   |       |       |   |   |   |   |   |       |   |    |   |   |   |       |   |   |   |   |   |       |   |     |   |   |   |       |   |   |   |   |   |       |   |     |   |   |   |       |   |   |   |   |   |       |   |     |   |   |   |       |       |   |   |   |   |       |   |     |   |   |   |   |       |   |   |   |   |       |   |     |   |   |   |   |       |   |   |   |   |       |   |     |   |   |   |   |       |   |   |   |   |       |   |     |   |   |   |   |       |   |   |   |   |       |   |     |   |   |   |   |   |   |   |   |      |       |   |     |   |   |   |   |   |   |   |   |      |       |   |     |   |   |   |   |   |       |   |   |   |       |   |     |   |   |   |   |   |       |   |   |   |       |   |     |   |   |   |   |   |       |   |   |   |      |   |     |   |   |   |   |   |   |   |   |   |      |   |     |   |   |   |   |   |   |   |   |   |      |   |     |   |   |   |   |   |   |   |   |   |      |   |
| 116   | -     | -       | -     | -      | -     | 105,0       | - | -    | -    | 96,5  | -    |      |  |  |  |  |  |  |  |  |  |  |      |             |  |  |  |  |  |  |  |  |  |  |  |  |     |     |     |     |     |     |  |  |  |  |  |   |   |   |   |   |   |   |   |   |   |   |   |    |   |        |   |   |   |   |   |   |   |   |   |    |   |        |   |   |   |   |   |   |   |   |   |    |       |        |   |   |   |   |   |   |   |       |   |    |       |       |   |   |   |   |   |   |   |       |   |    |       |       |   |   |   |   |   |   |   |       |   |    |       |       |   |   |   |   |   |   |   |       |   |    |       |       |   |   |   |   |   |   |   |       |   |    |      |       |   |   |   |   |   |   |   |       |   |    |      |       |       |   |   |   |   |   |   |       |   |    |      |       |       |   |   |   |   |   |   |       |   |    |      |       |       |   |   |   |   |   |   |       |   |    |      |       |       |   |   |   |   |   |   |       |   |    |      |       |       |   |   |   |   |   |   |       |   |    |   |   |       |   |   |   |   |   |   |       |   |    |   |   |       |       |   |   |   |   |   |       |   |    |   |   |       |       |   |   |   |   |   |       |   |    |   |   |       |       |   |   |   |   |   |       |   |    |   |   |       |       |   |   |   |   |   |       |   |    |   |   |   |       |   |   |   |   |   |       |   |     |   |   |   |       |   |   |   |   |   |       |   |     |   |   |   |       |   |   |   |   |   |       |   |     |   |   |   |       |       |   |   |   |   |       |   |     |   |   |   |   |       |   |   |   |   |       |   |     |   |   |   |   |       |   |   |   |   |       |   |     |   |   |   |   |       |   |   |   |   |       |   |     |   |   |   |   |       |   |   |   |   |       |   |     |   |   |   |   |   |   |   |   |      |       |   |     |   |   |   |   |   |   |   |   |      |       |   |     |   |   |   |   |   |       |   |   |   |       |   |     |   |   |   |   |   |       |   |   |   |       |   |     |   |   |   |   |   |       |   |   |   |      |   |     |   |   |   |   |   |   |   |   |   |      |   |     |   |   |   |   |   |   |   |   |   |      |   |     |   |   |   |   |   |   |   |   |   |      |   |
| 118   | -     | -       | -     | -      | -     | -           | - | -    | -    | 90,0  | -    |      |  |  |  |  |  |  |  |  |  |  |      |             |  |  |  |  |  |  |  |  |  |  |  |  |     |     |     |     |     |     |  |  |  |  |  |   |   |   |   |   |   |   |   |   |   |   |   |    |   |        |   |   |   |   |   |   |   |   |   |    |   |        |   |   |   |   |   |   |   |   |   |    |       |        |   |   |   |   |   |   |   |       |   |    |       |       |   |   |   |   |   |   |   |       |   |    |       |       |   |   |   |   |   |   |   |       |   |    |       |       |   |   |   |   |   |   |   |       |   |    |       |       |   |   |   |   |   |   |   |       |   |    |      |       |   |   |   |   |   |   |   |       |   |    |      |       |       |   |   |   |   |   |   |       |   |    |      |       |       |   |   |   |   |   |   |       |   |    |      |       |       |   |   |   |   |   |   |       |   |    |      |       |       |   |   |   |   |   |   |       |   |    |      |       |       |   |   |   |   |   |   |       |   |    |   |   |       |   |   |   |   |   |   |       |   |    |   |   |       |       |   |   |   |   |   |       |   |    |   |   |       |       |   |   |   |   |   |       |   |    |   |   |       |       |   |   |   |   |   |       |   |    |   |   |       |       |   |   |   |   |   |       |   |    |   |   |   |       |   |   |   |   |   |       |   |     |   |   |   |       |   |   |   |   |   |       |   |     |   |   |   |       |   |   |   |   |   |       |   |     |   |   |   |       |       |   |   |   |   |       |   |     |   |   |   |   |       |   |   |   |   |       |   |     |   |   |   |   |       |   |   |   |   |       |   |     |   |   |   |   |       |   |   |   |   |       |   |     |   |   |   |   |       |   |   |   |   |       |   |     |   |   |   |   |   |   |   |   |      |       |   |     |   |   |   |   |   |   |   |   |      |       |   |     |   |   |   |   |   |       |   |   |   |       |   |     |   |   |   |   |   |       |   |   |   |       |   |     |   |   |   |   |   |       |   |   |   |      |   |     |   |   |   |   |   |   |   |   |   |      |   |     |   |   |   |   |   |   |   |   |   |      |   |     |   |   |   |   |   |   |   |   |   |      |   |
| 122   | -     | -       | -     | -      | -     | -           | - | -    | -    | 78,5  | -    |      |  |  |  |  |  |  |  |  |  |  |      |             |  |  |  |  |  |  |  |  |  |  |  |  |     |     |     |     |     |     |  |  |  |  |  |   |   |   |   |   |   |   |   |   |   |   |   |    |   |        |   |   |   |   |   |   |   |   |   |    |   |        |   |   |   |   |   |   |   |   |   |    |       |        |   |   |   |   |   |   |   |       |   |    |       |       |   |   |   |   |   |   |   |       |   |    |       |       |   |   |   |   |   |   |   |       |   |    |       |       |   |   |   |   |   |   |   |       |   |    |       |       |   |   |   |   |   |   |   |       |   |    |      |       |   |   |   |   |   |   |   |       |   |    |      |       |       |   |   |   |   |   |   |       |   |    |      |       |       |   |   |   |   |   |   |       |   |    |      |       |       |   |   |   |   |   |   |       |   |    |      |       |       |   |   |   |   |   |   |       |   |    |      |       |       |   |   |   |   |   |   |       |   |    |   |   |       |   |   |   |   |   |   |       |   |    |   |   |       |       |   |   |   |   |   |       |   |    |   |   |       |       |   |   |   |   |   |       |   |    |   |   |       |       |   |   |   |   |   |       |   |    |   |   |       |       |   |   |   |   |   |       |   |    |   |   |   |       |   |   |   |   |   |       |   |     |   |   |   |       |   |   |   |   |   |       |   |     |   |   |   |       |   |   |   |   |   |       |   |     |   |   |   |       |       |   |   |   |   |       |   |     |   |   |   |   |       |   |   |   |   |       |   |     |   |   |   |   |       |   |   |   |   |       |   |     |   |   |   |   |       |   |   |   |   |       |   |     |   |   |   |   |       |   |   |   |   |       |   |     |   |   |   |   |   |   |   |   |      |       |   |     |   |   |   |   |   |   |   |   |      |       |   |     |   |   |   |   |   |       |   |   |   |       |   |     |   |   |   |   |   |       |   |   |   |       |   |     |   |   |   |   |   |       |   |   |   |      |   |     |   |   |   |   |   |   |   |   |   |      |   |     |   |   |   |   |   |   |   |   |   |      |   |     |   |   |   |   |   |   |   |   |   |      |   |
| 126   | -     | -       | -     | -      | -     | -           | - | -    | -    | 72,5  | -    |      |  |  |  |  |  |  |  |  |  |  |      |             |  |  |  |  |  |  |  |  |  |  |  |  |     |     |     |     |     |     |  |  |  |  |  |   |   |   |   |   |   |   |   |   |   |   |   |    |   |        |   |   |   |   |   |   |   |   |   |    |   |        |   |   |   |   |   |   |   |   |   |    |       |        |   |   |   |   |   |   |   |       |   |    |       |       |   |   |   |   |   |   |   |       |   |    |       |       |   |   |   |   |   |   |   |       |   |    |       |       |   |   |   |   |   |   |   |       |   |    |       |       |   |   |   |   |   |   |   |       |   |    |      |       |   |   |   |   |   |   |   |       |   |    |      |       |       |   |   |   |   |   |   |       |   |    |      |       |       |   |   |   |   |   |   |       |   |    |      |       |       |   |   |   |   |   |   |       |   |    |      |       |       |   |   |   |   |   |   |       |   |    |      |       |       |   |   |   |   |   |   |       |   |    |   |   |       |   |   |   |   |   |   |       |   |    |   |   |       |       |   |   |   |   |   |       |   |    |   |   |       |       |   |   |   |   |   |       |   |    |   |   |       |       |   |   |   |   |   |       |   |    |   |   |       |       |   |   |   |   |   |       |   |    |   |   |   |       |   |   |   |   |   |       |   |     |   |   |   |       |   |   |   |   |   |       |   |     |   |   |   |       |   |   |   |   |   |       |   |     |   |   |   |       |       |   |   |   |   |       |   |     |   |   |   |   |       |   |   |   |   |       |   |     |   |   |   |   |       |   |   |   |   |       |   |     |   |   |   |   |       |   |   |   |   |       |   |     |   |   |   |   |       |   |   |   |   |       |   |     |   |   |   |   |   |   |   |   |      |       |   |     |   |   |   |   |   |   |   |   |      |       |   |     |   |   |   |   |   |       |   |   |   |       |   |     |   |   |   |   |   |       |   |   |   |       |   |     |   |   |   |   |   |       |   |   |   |      |   |     |   |   |   |   |   |   |   |   |   |      |   |     |   |   |   |   |   |   |   |   |   |      |   |     |   |   |   |   |   |   |   |   |   |      |   |
| <table border="1"> <thead> <tr> <th colspan="11">SWSL</th> <th>SFSL</th> </tr> <tr> <th colspan="12">0 t - 640 t</th> </tr> <tr> <th></th> <th>85°</th> <th>85°</th> <th>75°</th> <th>65°</th> <th>55°</th> <th>45°</th> <th colspan="5"></th> </tr> <tr> <th>m</th> <th>t</th> <th>t</th> <th>t</th> <th>t</th> <th>t</th> <th>t</th> <th>t</th> <th>t</th> <th>t</th> <th>t</th> <th>t</th> </tr> </thead> <tbody> <tr><td>30</td><td>-</td><td>240,0*</td><td>-</td><td>-</td><td>-</td><td>-</td><td>-</td><td>-</td><td>-</td><td>-</td><td>-</td></tr> <tr><td>34</td><td>-</td><td>233,0*</td><td>-</td><td>-</td><td>-</td><td>-</td><td>-</td><td>-</td><td>-</td><td>-</td><td>-</td></tr> <tr><td>38</td><td>126,0</td><td>250,0</td><td>-</td><td>-</td><td>-</td><td>-</td><td>-</td><td>-</td><td>-</td><td>243,0</td><td>-</td></tr> <tr><td>42</td><td>112,0</td><td>244,0</td><td>-</td><td>-</td><td>-</td><td>-</td><td>-</td><td>-</td><td>-</td><td>243,0</td><td>-</td></tr> <tr><td>46</td><td>100,0</td><td>239,0</td><td>-</td><td>-</td><td>-</td><td>-</td><td>-</td><td>-</td><td>-</td><td>243,0</td><td>-</td></tr> <tr><td>50</td><td>89,5</td><td>233,0</td><td>-</td><td>-</td><td>-</td><td>-</td><td>-</td><td>-</td><td>-</td><td>243,0</td><td>-</td></tr> <tr><td>54</td><td>81,0</td><td>228,0</td><td>-</td><td>-</td><td>-</td><td>-</td><td>-</td><td>-</td><td>-</td><td>243,0</td><td>-</td></tr> <tr><td>58</td><td>73,0</td><td>222,0</td><td>-</td><td>-</td><td>-</td><td>-</td><td>-</td><td>-</td><td>-</td><td>241,0</td><td>-</td></tr> <tr><td>62</td><td>66,0</td><td>217,0</td><td>254,0</td><td>-</td><td>-</td><td>-</td><td>-</td><td>-</td><td>-</td><td>235,0</td><td>-</td></tr> <tr><td>66</td><td>60,0</td><td>207,0</td><td>254,0</td><td>-</td><td>-</td><td>-</td><td>-</td><td>-</td><td>-</td><td>230,0</td><td>-</td></tr> <tr><td>70</td><td>54,5</td><td>189,0</td><td>250,0</td><td>-</td><td>-</td><td>-</td><td>-</td><td>-</td><td>-</td><td>224,0</td><td>-</td></tr> <tr><td>74</td><td>49,3</td><td>166,0</td><td>236,0</td><td>-</td><td>-</td><td>-</td><td>-</td><td>-</td><td>-</td><td>216,0</td><td>-</td></tr> <tr><td>78</td><td>44,1</td><td>143,0</td><td>214,0</td><td>-</td><td>-</td><td>-</td><td>-</td><td>-</td><td>-</td><td>211,0</td><td>-</td></tr> <tr><td>82</td><td>-</td><td>-</td><td>196,0</td><td>-</td><td>-</td><td>-</td><td>-</td><td>-</td><td>-</td><td>205,0</td><td>-</td></tr> <tr><td>86</td><td>-</td><td>-</td><td>179,0</td><td>198,0</td><td>-</td><td>-</td><td>-</td><td>-</td><td>-</td><td>195,0</td><td>-</td></tr> <tr><td>90</td><td>-</td><td>-</td><td>163,0</td><td>187,0</td><td>-</td><td>-</td><td>-</td><td>-</td><td>-</td><td>181,0</td><td>-</td></tr> <tr><td>92</td><td>-</td><td>-</td><td>152,0</td><td>182,0</td><td>-</td><td>-</td><td>-</td><td>-</td><td>-</td><td>174,5</td><td>-</td></tr> <tr><td>94</td><td>-</td><td>-</td><td>-</td><td>177,0</td><td>-</td><td>-</td><td>-</td><td>-</td><td>-</td><td>168,0</td><td>-</td></tr> <tr><td>98</td><td>-</td><td>-</td><td>-</td><td>168,0</td><td>-</td><td>-</td><td>-</td><td>-</td><td>-</td><td>156,0</td><td>-</td></tr> <tr><td>102</td><td>-</td><td>-</td><td>-</td><td>160,0</td><td>-</td><td>-</td><td>-</td><td>-</td><td>-</td><td>145,0</td><td>-</td></tr> <tr><td>104</td><td>-</td><td>-</td><td>-</td><td>156,0</td><td>-</td><td>-</td><td>-</td><td>-</td><td>-</td><td>140,0</td><td>-</td></tr> <tr><td>106</td><td>-</td><td>-</td><td>-</td><td>-</td><td>137,0</td><td>-</td><td>-</td><td>-</td><td>-</td><td>135,0</td><td>-</td></tr> <tr><td>110</td><td>-</td><td>-</td><td>-</td><td>-</td><td>130,0</td><td>-</td><td>-</td><td>-</td><td>-</td><td>125,0</td><td>-</td></tr> <tr><td>114</td><td>-</td><td>-</td><td>-</td><td>-</td><td>124,0</td><td>-</td><td>-</td><td>-</td><td>-</td><td>114,0</td><td>-</td></tr> <tr><td>116</td><td>-</td><td>-</td><td>-</td><td>-</td><td>122,0</td><td>-</td><td>-</td><td>-</td><td>-</td><td>108,0</td><td>-</td></tr> <tr><td>118</td><td>-</td><td>-</td><td>-</td><td>-</td><td>-</td><td>-</td><td>-</td><td>-</td><td>-</td><td>102,0</td><td>-</td></tr> <tr><td>122</td><td>-</td><td>-</td><td>-</td><td>-</td><td>-</td><td>-</td><td>-</td><td>-</td><td>91,5</td><td>90,5</td><td>-</td></tr> <tr><td>126</td><td>-</td><td>-</td><td>-</td><td>-</td><td>-</td><td>-</td><td>-</td><td>-</td><td>86,5</td><td>79,5</td><td>-</td></tr> <tr><td>130</td><td>-</td><td>-</td><td>-</td><td>-</td><td>-</td><td>-</td><td>-</td><td>-</td><td>-</td><td>68,5</td><td>-</td></tr> <tr><td>134</td><td>-</td><td>-</td><td>-</td><td>-</td><td>-</td><td>-</td><td>-</td><td>-</td><td>-</td><td>61,5</td><td>-</td></tr> </tbody> </table>   |       |         |       |        |       |             |   |      |      |       |      | SWSL |  |  |  |  |  |  |  |  |  |  | SFSL | 0 t - 640 t |  |  |  |  |  |  |  |  |  |  |  |  | 85° | 85° | 75° | 65° | 55° | 45° |  |  |  |  |  | m | t | t | t | t | t | t | t | t | t | t | t | 30 | - | 240,0* | - | - | - | - | - | - | - | - | - | 34 | - | 233,0* | - | - | - | - | - | - | - | - | - | 38 | 126,0 | 250,0  | - | - | - | - | - | - | - | 243,0 | - | 42 | 112,0 | 244,0 | - | - | - | - | - | - | - | 243,0 | - | 46 | 100,0 | 239,0 | - | - | - | - | - | - | - | 243,0 | - | 50 | 89,5  | 233,0 | - | - | - | - | - | - | - | 243,0 | - | 54 | 81,0  | 228,0 | - | - | - | - | - | - | - | 243,0 | - | 58 | 73,0 | 222,0 | - | - | - | - | - | - | - | 241,0 | - | 62 | 66,0 | 217,0 | 254,0 | - | - | - | - | - | - | 235,0 | - | 66 | 60,0 | 207,0 | 254,0 | - | - | - | - | - | - | 230,0 | - | 70 | 54,5 | 189,0 | 250,0 | - | - | - | - | - | - | 224,0 | - | 74 | 49,3 | 166,0 | 236,0 | - | - | - | - | - | - | 216,0 | - | 78 | 44,1 | 143,0 | 214,0 | - | - | - | - | - | - | 211,0 | - | 82 | - | - | 196,0 | - | - | - | - | - | - | 205,0 | - | 86 | - | - | 179,0 | 198,0 | - | - | - | - | - | 195,0 | - | 90 | - | - | 163,0 | 187,0 | - | - | - | - | - | 181,0 | - | 92 | - | - | 152,0 | 182,0 | - | - | - | - | - | 174,5 | - | 94 | - | - | -     | 177,0 | - | - | - | - | - | 168,0 | - | 98 | - | - | - | 168,0 | - | - | - | - | - | 156,0 | - | 102 | - | - | - | 160,0 | - | - | - | - | - | 145,0 | - | 104 | - | - | - | 156,0 | - | - | - | - | - | 140,0 | - | 106 | - | - | - | -     | 137,0 | - | - | - | - | 135,0 | - | 110 | - | - | - | - | 130,0 | - | - | - | - | 125,0 | - | 114 | - | - | - | - | 124,0 | - | - | - | - | 114,0 | - | 116 | - | - | - | - | 122,0 | - | - | - | - | 108,0 | - | 118 | - | - | - | - | -     | - | - | - | - | 102,0 | - | 122 | - | - | - | - | - | - | - | - | 91,5 | 90,5  | - | 126 | - | - | - | - | - | - | - | - | 86,5 | 79,5  | - | 130 | - | - | - | - | - | -     | - | - | - | 68,5  | - | 134 | - | - | - | - | - | -     | - | - | - | 61,5  | - |     |   |   |   |   |   |       |   |   |   |      |   |     |   |   |   |   |   |   |   |   |   |      |   |     |   |   |   |   |   |   |   |   |   |      |   |     |   |   |   |   |   |   |   |   |   |      |   |
| SWSL  |       |         |       |        |       |             |   |      |      |       | SFSL |      |  |  |  |  |  |  |  |  |  |  |      |             |  |  |  |  |  |  |  |  |  |  |  |  |     |     |     |     |     |     |  |  |  |  |  |   |   |   |   |   |   |   |   |   |   |   |   |    |   |        |   |   |   |   |   |   |   |   |   |    |   |        |   |   |   |   |   |   |   |   |   |    |       |        |   |   |   |   |   |   |   |       |   |    |       |       |   |   |   |   |   |   |   |       |   |    |       |       |   |   |   |   |   |   |   |       |   |    |       |       |   |   |   |   |   |   |   |       |   |    |       |       |   |   |   |   |   |   |   |       |   |    |      |       |   |   |   |   |   |   |   |       |   |    |      |       |       |   |   |   |   |   |   |       |   |    |      |       |       |   |   |   |   |   |   |       |   |    |      |       |       |   |   |   |   |   |   |       |   |    |      |       |       |   |   |   |   |   |   |       |   |    |      |       |       |   |   |   |   |   |   |       |   |    |   |   |       |   |   |   |   |   |   |       |   |    |   |   |       |       |   |   |   |   |   |       |   |    |   |   |       |       |   |   |   |   |   |       |   |    |   |   |       |       |   |   |   |   |   |       |   |    |   |   |       |       |   |   |   |   |   |       |   |    |   |   |   |       |   |   |   |   |   |       |   |     |   |   |   |       |   |   |   |   |   |       |   |     |   |   |   |       |   |   |   |   |   |       |   |     |   |   |   |       |       |   |   |   |   |       |   |     |   |   |   |   |       |   |   |   |   |       |   |     |   |   |   |   |       |   |   |   |   |       |   |     |   |   |   |   |       |   |   |   |   |       |   |     |   |   |   |   |       |   |   |   |   |       |   |     |   |   |   |   |   |   |   |   |      |       |   |     |   |   |   |   |   |   |   |   |      |       |   |     |   |   |   |   |   |       |   |   |   |       |   |     |   |   |   |   |   |       |   |   |   |       |   |     |   |   |   |   |   |       |   |   |   |      |   |     |   |   |   |   |   |   |   |   |   |      |   |     |   |   |   |   |   |   |   |   |   |      |   |     |   |   |   |   |   |   |   |   |   |      |   |
| 0 t - 640 t   |       |         |       |        |       |             |   |      |      |       |      |      |  |  |  |  |  |  |  |  |  |  |      |             |  |  |  |  |  |  |  |  |  |  |  |  |     |     |     |     |     |     |  |  |  |  |  |   |   |   |   |   |   |   |   |   |   |   |   |    |   |        |   |   |   |   |   |   |   |   |   |    |   |        |   |   |   |   |   |   |   |   |   |    |       |        |   |   |   |   |   |   |   |       |   |    |       |       |   |   |   |   |   |   |   |       |   |    |       |       |   |   |   |   |   |   |   |       |   |    |       |       |   |   |   |   |   |   |   |       |   |    |       |       |   |   |   |   |   |   |   |       |   |    |      |       |   |   |   |   |   |   |   |       |   |    |      |       |       |   |   |   |   |   |   |       |   |    |      |       |       |   |   |   |   |   |   |       |   |    |      |       |       |   |   |   |   |   |   |       |   |    |      |       |       |   |   |   |   |   |   |       |   |    |      |       |       |   |   |   |   |   |   |       |   |    |   |   |       |   |   |   |   |   |   |       |   |    |   |   |       |       |   |   |   |   |   |       |   |    |   |   |       |       |   |   |   |   |   |       |   |    |   |   |       |       |   |   |   |   |   |       |   |    |   |   |       |       |   |   |   |   |   |       |   |    |   |   |   |       |   |   |   |   |   |       |   |     |   |   |   |       |   |   |   |   |   |       |   |     |   |   |   |       |   |   |   |   |   |       |   |     |   |   |   |       |       |   |   |   |   |       |   |     |   |   |   |   |       |   |   |   |   |       |   |     |   |   |   |   |       |   |   |   |   |       |   |     |   |   |   |   |       |   |   |   |   |       |   |     |   |   |   |   |       |   |   |   |   |       |   |     |   |   |   |   |   |   |   |   |      |       |   |     |   |   |   |   |   |   |   |   |      |       |   |     |   |   |   |   |   |       |   |   |   |       |   |     |   |   |   |   |   |       |   |   |   |       |   |     |   |   |   |   |   |       |   |   |   |      |   |     |   |   |   |   |   |   |   |   |   |      |   |     |   |   |   |   |   |   |   |   |   |      |   |     |   |   |   |   |   |   |   |   |   |      |   |
|   | 85°   | 85°     | 75°   | 65°    | 55°   | 45°         |   |      |      |       |      |      |  |  |  |  |  |  |  |  |  |  |      |             |  |  |  |  |  |  |  |  |  |  |  |  |     |     |     |     |     |     |  |  |  |  |  |   |   |   |   |   |   |   |   |   |   |   |   |    |   |        |   |   |   |   |   |   |   |   |   |    |   |        |   |   |   |   |   |   |   |   |   |    |       |        |   |   |   |   |   |   |   |       |   |    |       |       |   |   |   |   |   |   |   |       |   |    |       |       |   |   |   |   |   |   |   |       |   |    |       |       |   |   |   |   |   |   |   |       |   |    |       |       |   |   |   |   |   |   |   |       |   |    |      |       |   |   |   |   |   |   |   |       |   |    |      |       |       |   |   |   |   |   |   |       |   |    |      |       |       |   |   |   |   |   |   |       |   |    |      |       |       |   |   |   |   |   |   |       |   |    |      |       |       |   |   |   |   |   |   |       |   |    |      |       |       |   |   |   |   |   |   |       |   |    |   |   |       |   |   |   |   |   |   |       |   |    |   |   |       |       |   |   |   |   |   |       |   |    |   |   |       |       |   |   |   |   |   |       |   |    |   |   |       |       |   |   |   |   |   |       |   |    |   |   |       |       |   |   |   |   |   |       |   |    |   |   |   |       |   |   |   |   |   |       |   |     |   |   |   |       |   |   |   |   |   |       |   |     |   |   |   |       |   |   |   |   |   |       |   |     |   |   |   |       |       |   |   |   |   |       |   |     |   |   |   |   |       |   |   |   |   |       |   |     |   |   |   |   |       |   |   |   |   |       |   |     |   |   |   |   |       |   |   |   |   |       |   |     |   |   |   |   |       |   |   |   |   |       |   |     |   |   |   |   |   |   |   |   |      |       |   |     |   |   |   |   |   |   |   |   |      |       |   |     |   |   |   |   |   |       |   |   |   |       |   |     |   |   |   |   |   |       |   |   |   |       |   |     |   |   |   |   |   |       |   |   |   |      |   |     |   |   |   |   |   |   |   |   |   |      |   |     |   |   |   |   |   |   |   |   |   |      |   |     |   |   |   |   |   |   |   |   |   |      |   |
| m   | t     | t       | t     | t      | t     | t           | t | t    | t    | t     | t    |      |  |  |  |  |  |  |  |  |  |  |      |             |  |  |  |  |  |  |  |  |  |  |  |  |     |     |     |     |     |     |  |  |  |  |  |   |   |   |   |   |   |   |   |   |   |   |   |    |   |        |   |   |   |   |   |   |   |   |   |    |   |        |   |   |   |   |   |   |   |   |   |    |       |        |   |   |   |   |   |   |   |       |   |    |       |       |   |   |   |   |   |   |   |       |   |    |       |       |   |   |   |   |   |   |   |       |   |    |       |       |   |   |   |   |   |   |   |       |   |    |       |       |   |   |   |   |   |   |   |       |   |    |      |       |   |   |   |   |   |   |   |       |   |    |      |       |       |   |   |   |   |   |   |       |   |    |      |       |       |   |   |   |   |   |   |       |   |    |      |       |       |   |   |   |   |   |   |       |   |    |      |       |       |   |   |   |   |   |   |       |   |    |      |       |       |   |   |   |   |   |   |       |   |    |   |   |       |   |   |   |   |   |   |       |   |    |   |   |       |       |   |   |   |   |   |       |   |    |   |   |       |       |   |   |   |   |   |       |   |    |   |   |       |       |   |   |   |   |   |       |   |    |   |   |       |       |   |   |   |   |   |       |   |    |   |   |   |       |   |   |   |   |   |       |   |     |   |   |   |       |   |   |   |   |   |       |   |     |   |   |   |       |   |   |   |   |   |       |   |     |   |   |   |       |       |   |   |   |   |       |   |     |   |   |   |   |       |   |   |   |   |       |   |     |   |   |   |   |       |   |   |   |   |       |   |     |   |   |   |   |       |   |   |   |   |       |   |     |   |   |   |   |       |   |   |   |   |       |   |     |   |   |   |   |   |   |   |   |      |       |   |     |   |   |   |   |   |   |   |   |      |       |   |     |   |   |   |   |   |       |   |   |   |       |   |     |   |   |   |   |   |       |   |   |   |       |   |     |   |   |   |   |   |       |   |   |   |      |   |     |   |   |   |   |   |   |   |   |   |      |   |     |   |   |   |   |   |   |   |   |   |      |   |     |   |   |   |   |   |   |   |   |   |      |   |
| 30  | -     | 240,0*  | -     | -      | -     | -           | - | -    | -    | -     | -    |      |  |  |  |  |  |  |  |  |  |  |      |             |  |  |  |  |  |  |  |  |  |  |  |  |     |     |     |     |     |     |  |  |  |  |  |   |   |   |   |   |   |   |   |   |   |   |   |    |   |        |   |   |   |   |   |   |   |   |   |    |   |        |   |   |   |   |   |   |   |   |   |    |       |        |   |   |   |   |   |   |   |       |   |    |       |       |   |   |   |   |   |   |   |       |   |    |       |       |   |   |   |   |   |   |   |       |   |    |       |       |   |   |   |   |   |   |   |       |   |    |       |       |   |   |   |   |   |   |   |       |   |    |      |       |   |   |   |   |   |   |   |       |   |    |      |       |       |   |   |   |   |   |   |       |   |    |      |       |       |   |   |   |   |   |   |       |   |    |      |       |       |   |   |   |   |   |   |       |   |    |      |       |       |   |   |   |   |   |   |       |   |    |      |       |       |   |   |   |   |   |   |       |   |    |   |   |       |   |   |   |   |   |   |       |   |    |   |   |       |       |   |   |   |   |   |       |   |    |   |   |       |       |   |   |   |   |   |       |   |    |   |   |       |       |   |   |   |   |   |       |   |    |   |   |       |       |   |   |   |   |   |       |   |    |   |   |   |       |   |   |   |   |   |       |   |     |   |   |   |       |   |   |   |   |   |       |   |     |   |   |   |       |   |   |   |   |   |       |   |     |   |   |   |       |       |   |   |   |   |       |   |     |   |   |   |   |       |   |   |   |   |       |   |     |   |   |   |   |       |   |   |   |   |       |   |     |   |   |   |   |       |   |   |   |   |       |   |     |   |   |   |   |       |   |   |   |   |       |   |     |   |   |   |   |   |   |   |   |      |       |   |     |   |   |   |   |   |   |   |   |      |       |   |     |   |   |   |   |   |       |   |   |   |       |   |     |   |   |   |   |   |       |   |   |   |       |   |     |   |   |   |   |   |       |   |   |   |      |   |     |   |   |   |   |   |   |   |   |   |      |   |     |   |   |   |   |   |   |   |   |   |      |   |     |   |   |   |   |   |   |   |   |   |      |   |
| 34  | -     | 233,0*  | -     | -      | -     | -           | - | -    | -    | -     | -    |      |  |  |  |  |  |  |  |  |  |  |      |             |  |  |  |  |  |  |  |  |  |  |  |  |     |     |     |     |     |     |  |  |  |  |  |   |   |   |   |   |   |   |   |   |   |   |   |    |   |        |   |   |   |   |   |   |   |   |   |    |   |        |   |   |   |   |   |   |   |   |   |    |       |        |   |   |   |   |   |   |   |       |   |    |       |       |   |   |   |   |   |   |   |       |   |    |       |       |   |   |   |   |   |   |   |       |   |    |       |       |   |   |   |   |   |   |   |       |   |    |       |       |   |   |   |   |   |   |   |       |   |    |      |       |   |   |   |   |   |   |   |       |   |    |      |       |       |   |   |   |   |   |   |       |   |    |      |       |       |   |   |   |   |   |   |       |   |    |      |       |       |   |   |   |   |   |   |       |   |    |      |       |       |   |   |   |   |   |   |       |   |    |      |       |       |   |   |   |   |   |   |       |   |    |   |   |       |   |   |   |   |   |   |       |   |    |   |   |       |       |   |   |   |   |   |       |   |    |   |   |       |       |   |   |   |   |   |       |   |    |   |   |       |       |   |   |   |   |   |       |   |    |   |   |       |       |   |   |   |   |   |       |   |    |   |   |   |       |   |   |   |   |   |       |   |     |   |   |   |       |   |   |   |   |   |       |   |     |   |   |   |       |   |   |   |   |   |       |   |     |   |   |   |       |       |   |   |   |   |       |   |     |   |   |   |   |       |   |   |   |   |       |   |     |   |   |   |   |       |   |   |   |   |       |   |     |   |   |   |   |       |   |   |   |   |       |   |     |   |   |   |   |       |   |   |   |   |       |   |     |   |   |   |   |   |   |   |   |      |       |   |     |   |   |   |   |   |   |   |   |      |       |   |     |   |   |   |   |   |       |   |   |   |       |   |     |   |   |   |   |   |       |   |   |   |       |   |     |   |   |   |   |   |       |   |   |   |      |   |     |   |   |   |   |   |   |   |   |   |      |   |     |   |   |   |   |   |   |   |   |   |      |   |     |   |   |   |   |   |   |   |   |   |      |   |
| 38  | 126,0 | 250,0   | -     | -      | -     | -           | - | -    | -    | 243,0 | -    |      |  |  |  |  |  |  |  |  |  |  |      |             |  |  |  |  |  |  |  |  |  |  |  |  |     |     |     |     |     |     |  |  |  |  |  |   |   |   |   |   |   |   |   |   |   |   |   |    |   |        |   |   |   |   |   |   |   |   |   |    |   |        |   |   |   |   |   |   |   |   |   |    |       |        |   |   |   |   |   |   |   |       |   |    |       |       |   |   |   |   |   |   |   |       |   |    |       |       |   |   |   |   |   |   |   |       |   |    |       |       |   |   |   |   |   |   |   |       |   |    |       |       |   |   |   |   |   |   |   |       |   |    |      |       |   |   |   |   |   |   |   |       |   |    |      |       |       |   |   |   |   |   |   |       |   |    |      |       |       |   |   |   |   |   |   |       |   |    |      |       |       |   |   |   |   |   |   |       |   |    |      |       |       |   |   |   |   |   |   |       |   |    |      |       |       |   |   |   |   |   |   |       |   |    |   |   |       |   |   |   |   |   |   |       |   |    |   |   |       |       |   |   |   |   |   |       |   |    |   |   |       |       |   |   |   |   |   |       |   |    |   |   |       |       |   |   |   |   |   |       |   |    |   |   |       |       |   |   |   |   |   |       |   |    |   |   |   |       |   |   |   |   |   |       |   |     |   |   |   |       |   |   |   |   |   |       |   |     |   |   |   |       |   |   |   |   |   |       |   |     |   |   |   |       |       |   |   |   |   |       |   |     |   |   |   |   |       |   |   |   |   |       |   |     |   |   |   |   |       |   |   |   |   |       |   |     |   |   |   |   |       |   |   |   |   |       |   |     |   |   |   |   |       |   |   |   |   |       |   |     |   |   |   |   |   |   |   |   |      |       |   |     |   |   |   |   |   |   |   |   |      |       |   |     |   |   |   |   |   |       |   |   |   |       |   |     |   |   |   |   |   |       |   |   |   |       |   |     |   |   |   |   |   |       |   |   |   |      |   |     |   |   |   |   |   |   |   |   |   |      |   |     |   |   |   |   |   |   |   |   |   |      |   |     |   |   |   |   |   |   |   |   |   |      |   |
| 42  | 112,0 | 244,0   | -     | -      | -     | -           | - | -    | -    | 243,0 | -    |      |  |  |  |  |  |  |  |  |  |  |      |             |  |  |  |  |  |  |  |  |  |  |  |  |     |     |     |     |     |     |  |  |  |  |  |   |   |   |   |   |   |   |   |   |   |   |   |    |   |        |   |   |   |   |   |   |   |   |   |    |   |        |   |   |   |   |   |   |   |   |   |    |       |        |   |   |   |   |   |   |   |       |   |    |       |       |   |   |   |   |   |   |   |       |   |    |       |       |   |   |   |   |   |   |   |       |   |    |       |       |   |   |   |   |   |   |   |       |   |    |       |       |   |   |   |   |   |   |   |       |   |    |      |       |   |   |   |   |   |   |   |       |   |    |      |       |       |   |   |   |   |   |   |       |   |    |      |       |       |   |   |   |   |   |   |       |   |    |      |       |       |   |   |   |   |   |   |       |   |    |      |       |       |   |   |   |   |   |   |       |   |    |      |       |       |   |   |   |   |   |   |       |   |    |   |   |       |   |   |   |   |   |   |       |   |    |   |   |       |       |   |   |   |   |   |       |   |    |   |   |       |       |   |   |   |   |   |       |   |    |   |   |       |       |   |   |   |   |   |       |   |    |   |   |       |       |   |   |   |   |   |       |   |    |   |   |   |       |   |   |   |   |   |       |   |     |   |   |   |       |   |   |   |   |   |       |   |     |   |   |   |       |   |   |   |   |   |       |   |     |   |   |   |       |       |   |   |   |   |       |   |     |   |   |   |   |       |   |   |   |   |       |   |     |   |   |   |   |       |   |   |   |   |       |   |     |   |   |   |   |       |   |   |   |   |       |   |     |   |   |   |   |       |   |   |   |   |       |   |     |   |   |   |   |   |   |   |   |      |       |   |     |   |   |   |   |   |   |   |   |      |       |   |     |   |   |   |   |   |       |   |   |   |       |   |     |   |   |   |   |   |       |   |   |   |       |   |     |   |   |   |   |   |       |   |   |   |      |   |     |   |   |   |   |   |   |   |   |   |      |   |     |   |   |   |   |   |   |   |   |   |      |   |     |   |   |   |   |   |   |   |   |   |      |   |
| 46  | 100,0 | 239,0   | -     | -      | -     | -           | - | -    | -    | 243,0 | -    |      |  |  |  |  |  |  |  |  |  |  |      |             |  |  |  |  |  |  |  |  |  |  |  |  |     |     |     |     |     |     |  |  |  |  |  |   |   |   |   |   |   |   |   |   |   |   |   |    |   |        |   |   |   |   |   |   |   |   |   |    |   |        |   |   |   |   |   |   |   |   |   |    |       |        |   |   |   |   |   |   |   |       |   |    |       |       |   |   |   |   |   |   |   |       |   |    |       |       |   |   |   |   |   |   |   |       |   |    |       |       |   |   |   |   |   |   |   |       |   |    |       |       |   |   |   |   |   |   |   |       |   |    |      |       |   |   |   |   |   |   |   |       |   |    |      |       |       |   |   |   |   |   |   |       |   |    |      |       |       |   |   |   |   |   |   |       |   |    |      |       |       |   |   |   |   |   |   |       |   |    |      |       |       |   |   |   |   |   |   |       |   |    |      |       |       |   |   |   |   |   |   |       |   |    |   |   |       |   |   |   |   |   |   |       |   |    |   |   |       |       |   |   |   |   |   |       |   |    |   |   |       |       |   |   |   |   |   |       |   |    |   |   |       |       |   |   |   |   |   |       |   |    |   |   |       |       |   |   |   |   |   |       |   |    |   |   |   |       |   |   |   |   |   |       |   |     |   |   |   |       |   |   |   |   |   |       |   |     |   |   |   |       |   |   |   |   |   |       |   |     |   |   |   |       |       |   |   |   |   |       |   |     |   |   |   |   |       |   |   |   |   |       |   |     |   |   |   |   |       |   |   |   |   |       |   |     |   |   |   |   |       |   |   |   |   |       |   |     |   |   |   |   |       |   |   |   |   |       |   |     |   |   |   |   |   |   |   |   |      |       |   |     |   |   |   |   |   |   |   |   |      |       |   |     |   |   |   |   |   |       |   |   |   |       |   |     |   |   |   |   |   |       |   |   |   |       |   |     |   |   |   |   |   |       |   |   |   |      |   |     |   |   |   |   |   |   |   |   |   |      |   |     |   |   |   |   |   |   |   |   |   |      |   |     |   |   |   |   |   |   |   |   |   |      |   |
| 50  | 89,5  | 233,0   | -     | -      | -     | -           | - | -    | -    | 243,0 | -    |      |  |  |  |  |  |  |  |  |  |  |      |             |  |  |  |  |  |  |  |  |  |  |  |  |     |     |     |     |     |     |  |  |  |  |  |   |   |   |   |   |   |   |   |   |   |   |   |    |   |        |   |   |   |   |   |   |   |   |   |    |   |        |   |   |   |   |   |   |   |   |   |    |       |        |   |   |   |   |   |   |   |       |   |    |       |       |   |   |   |   |   |   |   |       |   |    |       |       |   |   |   |   |   |   |   |       |   |    |       |       |   |   |   |   |   |   |   |       |   |    |       |       |   |   |   |   |   |   |   |       |   |    |      |       |   |   |   |   |   |   |   |       |   |    |      |       |       |   |   |   |   |   |   |       |   |    |      |       |       |   |   |   |   |   |   |       |   |    |      |       |       |   |   |   |   |   |   |       |   |    |      |       |       |   |   |   |   |   |   |       |   |    |      |       |       |   |   |   |   |   |   |       |   |    |   |   |       |   |   |   |   |   |   |       |   |    |   |   |       |       |   |   |   |   |   |       |   |    |   |   |       |       |   |   |   |   |   |       |   |    |   |   |       |       |   |   |   |   |   |       |   |    |   |   |       |       |   |   |   |   |   |       |   |    |   |   |   |       |   |   |   |   |   |       |   |     |   |   |   |       |   |   |   |   |   |       |   |     |   |   |   |       |   |   |   |   |   |       |   |     |   |   |   |       |       |   |   |   |   |       |   |     |   |   |   |   |       |   |   |   |   |       |   |     |   |   |   |   |       |   |   |   |   |       |   |     |   |   |   |   |       |   |   |   |   |       |   |     |   |   |   |   |       |   |   |   |   |       |   |     |   |   |   |   |   |   |   |   |      |       |   |     |   |   |   |   |   |   |   |   |      |       |   |     |   |   |   |   |   |       |   |   |   |       |   |     |   |   |   |   |   |       |   |   |   |       |   |     |   |   |   |   |   |       |   |   |   |      |   |     |   |   |   |   |   |   |   |   |   |      |   |     |   |   |   |   |   |   |   |   |   |      |   |     |   |   |   |   |   |   |   |   |   |      |   |
| 54  | 81,0  | 228,0   | -     | -      | -     | -           | - | -    | -    | 243,0 | -    |      |  |  |  |  |  |  |  |  |  |  |      |             |  |  |  |  |  |  |  |  |  |  |  |  |     |     |     |     |     |     |  |  |  |  |  |   |   |   |   |   |   |   |   |   |   |   |   |    |   |        |   |   |   |   |   |   |   |   |   |    |   |        |   |   |   |   |   |   |   |   |   |    |       |        |   |   |   |   |   |   |   |       |   |    |       |       |   |   |   |   |   |   |   |       |   |    |       |       |   |   |   |   |   |   |   |       |   |    |       |       |   |   |   |   |   |   |   |       |   |    |       |       |   |   |   |   |   |   |   |       |   |    |      |       |   |   |   |   |   |   |   |       |   |    |      |       |       |   |   |   |   |   |   |       |   |    |      |       |       |   |   |   |   |   |   |       |   |    |      |       |       |   |   |   |   |   |   |       |   |    |      |       |       |   |   |   |   |   |   |       |   |    |      |       |       |   |   |   |   |   |   |       |   |    |   |   |       |   |   |   |   |   |   |       |   |    |   |   |       |       |   |   |   |   |   |       |   |    |   |   |       |       |   |   |   |   |   |       |   |    |   |   |       |       |   |   |   |   |   |       |   |    |   |   |       |       |   |   |   |   |   |       |   |    |   |   |   |       |   |   |   |   |   |       |   |     |   |   |   |       |   |   |   |   |   |       |   |     |   |   |   |       |   |   |   |   |   |       |   |     |   |   |   |       |       |   |   |   |   |       |   |     |   |   |   |   |       |   |   |   |   |       |   |     |   |   |   |   |       |   |   |   |   |       |   |     |   |   |   |   |       |   |   |   |   |       |   |     |   |   |   |   |       |   |   |   |   |       |   |     |   |   |   |   |   |   |   |   |      |       |   |     |   |   |   |   |   |   |   |   |      |       |   |     |   |   |   |   |   |       |   |   |   |       |   |     |   |   |   |   |   |       |   |   |   |       |   |     |   |   |   |   |   |       |   |   |   |      |   |     |   |   |   |   |   |   |   |   |   |      |   |     |   |   |   |   |   |   |   |   |   |      |   |     |   |   |   |   |   |   |   |   |   |      |   |
| 58  | 73,0  | 222,0   | -     | -      | -     | -           | - | -    | -    | 241,0 | -    |      |  |  |  |  |  |  |  |  |  |  |      |             |  |  |  |  |  |  |  |  |  |  |  |  |     |     |     |     |     |     |  |  |  |  |  |   |   |   |   |   |   |   |   |   |   |   |   |    |   |        |   |   |   |   |   |   |   |   |   |    |   |        |   |   |   |   |   |   |   |   |   |    |       |        |   |   |   |   |   |   |   |       |   |    |       |       |   |   |   |   |   |   |   |       |   |    |       |       |   |   |   |   |   |   |   |       |   |    |       |       |   |   |   |   |   |   |   |       |   |    |       |       |   |   |   |   |   |   |   |       |   |    |      |       |   |   |   |   |   |   |   |       |   |    |      |       |       |   |   |   |   |   |   |       |   |    |      |       |       |   |   |   |   |   |   |       |   |    |      |       |       |   |   |   |   |   |   |       |   |    |      |       |       |   |   |   |   |   |   |       |   |    |      |       |       |   |   |   |   |   |   |       |   |    |   |   |       |   |   |   |   |   |   |       |   |    |   |   |       |       |   |   |   |   |   |       |   |    |   |   |       |       |   |   |   |   |   |       |   |    |   |   |       |       |   |   |   |   |   |       |   |    |   |   |       |       |   |   |   |   |   |       |   |    |   |   |   |       |   |   |   |   |   |       |   |     |   |   |   |       |   |   |   |   |   |       |   |     |   |   |   |       |   |   |   |   |   |       |   |     |   |   |   |       |       |   |   |   |   |       |   |     |   |   |   |   |       |   |   |   |   |       |   |     |   |   |   |   |       |   |   |   |   |       |   |     |   |   |   |   |       |   |   |   |   |       |   |     |   |   |   |   |       |   |   |   |   |       |   |     |   |   |   |   |   |   |   |   |      |       |   |     |   |   |   |   |   |   |   |   |      |       |   |     |   |   |   |   |   |       |   |   |   |       |   |     |   |   |   |   |   |       |   |   |   |       |   |     |   |   |   |   |   |       |   |   |   |      |   |     |   |   |   |   |   |   |   |   |   |      |   |     |   |   |   |   |   |   |   |   |   |      |   |     |   |   |   |   |   |   |   |   |   |      |   |
| 62  | 66,0  | 217,0   | 254,0 | -      | -     | -           | - | -    | -    | 235,0 | -    |      |  |  |  |  |  |  |  |  |  |  |      |             |  |  |  |  |  |  |  |  |  |  |  |  |     |     |     |     |     |     |  |  |  |  |  |   |   |   |   |   |   |   |   |   |   |   |   |    |   |        |   |   |   |   |   |   |   |   |   |    |   |        |   |   |   |   |   |   |   |   |   |    |       |        |   |   |   |   |   |   |   |       |   |    |       |       |   |   |   |   |   |   |   |       |   |    |       |       |   |   |   |   |   |   |   |       |   |    |       |       |   |   |   |   |   |   |   |       |   |    |       |       |   |   |   |   |   |   |   |       |   |    |      |       |   |   |   |   |   |   |   |       |   |    |      |       |       |   |   |   |   |   |   |       |   |    |      |       |       |   |   |   |   |   |   |       |   |    |      |       |       |   |   |   |   |   |   |       |   |    |      |       |       |   |   |   |   |   |   |       |   |    |      |       |       |   |   |   |   |   |   |       |   |    |   |   |       |   |   |   |   |   |   |       |   |    |   |   |       |       |   |   |   |   |   |       |   |    |   |   |       |       |   |   |   |   |   |       |   |    |   |   |       |       |   |   |   |   |   |       |   |    |   |   |       |       |   |   |   |   |   |       |   |    |   |   |   |       |   |   |   |   |   |       |   |     |   |   |   |       |   |   |   |   |   |       |   |     |   |   |   |       |   |   |   |   |   |       |   |     |   |   |   |       |       |   |   |   |   |       |   |     |   |   |   |   |       |   |   |   |   |       |   |     |   |   |   |   |       |   |   |   |   |       |   |     |   |   |   |   |       |   |   |   |   |       |   |     |   |   |   |   |       |   |   |   |   |       |   |     |   |   |   |   |   |   |   |   |      |       |   |     |   |   |   |   |   |   |   |   |      |       |   |     |   |   |   |   |   |       |   |   |   |       |   |     |   |   |   |   |   |       |   |   |   |       |   |     |   |   |   |   |   |       |   |   |   |      |   |     |   |   |   |   |   |   |   |   |   |      |   |     |   |   |   |   |   |   |   |   |   |      |   |     |   |   |   |   |   |   |   |   |   |      |   |
| 66  | 60,0  | 207,0   | 254,0 | -      | -     | -           | - | -    | -    | 230,0 | -    |      |  |  |  |  |  |  |  |  |  |  |      |             |  |  |  |  |  |  |  |  |  |  |  |  |     |     |     |     |     |     |  |  |  |  |  |   |   |   |   |   |   |   |   |   |   |   |   |    |   |        |   |   |   |   |   |   |   |   |   |    |   |        |   |   |   |   |   |   |   |   |   |    |       |        |   |   |   |   |   |   |   |       |   |    |       |       |   |   |   |   |   |   |   |       |   |    |       |       |   |   |   |   |   |   |   |       |   |    |       |       |   |   |   |   |   |   |   |       |   |    |       |       |   |   |   |   |   |   |   |       |   |    |      |       |   |   |   |   |   |   |   |       |   |    |      |       |       |   |   |   |   |   |   |       |   |    |      |       |       |   |   |   |   |   |   |       |   |    |      |       |       |   |   |   |   |   |   |       |   |    |      |       |       |   |   |   |   |   |   |       |   |    |      |       |       |   |   |   |   |   |   |       |   |    |   |   |       |   |   |   |   |   |   |       |   |    |   |   |       |       |   |   |   |   |   |       |   |    |   |   |       |       |   |   |   |   |   |       |   |    |   |   |       |       |   |   |   |   |   |       |   |    |   |   |       |       |   |   |   |   |   |       |   |    |   |   |   |       |   |   |   |   |   |       |   |     |   |   |   |       |   |   |   |   |   |       |   |     |   |   |   |       |   |   |   |   |   |       |   |     |   |   |   |       |       |   |   |   |   |       |   |     |   |   |   |   |       |   |   |   |   |       |   |     |   |   |   |   |       |   |   |   |   |       |   |     |   |   |   |   |       |   |   |   |   |       |   |     |   |   |   |   |       |   |   |   |   |       |   |     |   |   |   |   |   |   |   |   |      |       |   |     |   |   |   |   |   |   |   |   |      |       |   |     |   |   |   |   |   |       |   |   |   |       |   |     |   |   |   |   |   |       |   |   |   |       |   |     |   |   |   |   |   |       |   |   |   |      |   |     |   |   |   |   |   |   |   |   |   |      |   |     |   |   |   |   |   |   |   |   |   |      |   |     |   |   |   |   |   |   |   |   |   |      |   |
| 70  | 54,5  | 189,0   | 250,0 | -      | -     | -           | - | -    | -    | 224,0 | -    |      |  |  |  |  |  |  |  |  |  |  |      |             |  |  |  |  |  |  |  |  |  |  |  |  |     |     |     |     |     |     |  |  |  |  |  |   |   |   |   |   |   |   |   |   |   |   |   |    |   |        |   |   |   |   |   |   |   |   |   |    |   |        |   |   |   |   |   |   |   |   |   |    |       |        |   |   |   |   |   |   |   |       |   |    |       |       |   |   |   |   |   |   |   |       |   |    |       |       |   |   |   |   |   |   |   |       |   |    |       |       |   |   |   |   |   |   |   |       |   |    |       |       |   |   |   |   |   |   |   |       |   |    |      |       |   |   |   |   |   |   |   |       |   |    |      |       |       |   |   |   |   |   |   |       |   |    |      |       |       |   |   |   |   |   |   |       |   |    |      |       |       |   |   |   |   |   |   |       |   |    |      |       |       |   |   |   |   |   |   |       |   |    |      |       |       |   |   |   |   |   |   |       |   |    |   |   |       |   |   |   |   |   |   |       |   |    |   |   |       |       |   |   |   |   |   |       |   |    |   |   |       |       |   |   |   |   |   |       |   |    |   |   |       |       |   |   |   |   |   |       |   |    |   |   |       |       |   |   |   |   |   |       |   |    |   |   |   |       |   |   |   |   |   |       |   |     |   |   |   |       |   |   |   |   |   |       |   |     |   |   |   |       |   |   |   |   |   |       |   |     |   |   |   |       |       |   |   |   |   |       |   |     |   |   |   |   |       |   |   |   |   |       |   |     |   |   |   |   |       |   |   |   |   |       |   |     |   |   |   |   |       |   |   |   |   |       |   |     |   |   |   |   |       |   |   |   |   |       |   |     |   |   |   |   |   |   |   |   |      |       |   |     |   |   |   |   |   |   |   |   |      |       |   |     |   |   |   |   |   |       |   |   |   |       |   |     |   |   |   |   |   |       |   |   |   |       |   |     |   |   |   |   |   |       |   |   |   |      |   |     |   |   |   |   |   |   |   |   |   |      |   |     |   |   |   |   |   |   |   |   |   |      |   |     |   |   |   |   |   |   |   |   |   |      |   |
| 74  | 49,3  | 166,0   | 236,0 | -      | -     | -           | - | -    | -    | 216,0 | -    |      |  |  |  |  |  |  |  |  |  |  |      |             |  |  |  |  |  |  |  |  |  |  |  |  |     |     |     |     |     |     |  |  |  |  |  |   |   |   |   |   |   |   |   |   |   |   |   |    |   |        |   |   |   |   |   |   |   |   |   |    |   |        |   |   |   |   |   |   |   |   |   |    |       |        |   |   |   |   |   |   |   |       |   |    |       |       |   |   |   |   |   |   |   |       |   |    |       |       |   |   |   |   |   |   |   |       |   |    |       |       |   |   |   |   |   |   |   |       |   |    |       |       |   |   |   |   |   |   |   |       |   |    |      |       |   |   |   |   |   |   |   |       |   |    |      |       |       |   |   |   |   |   |   |       |   |    |      |       |       |   |   |   |   |   |   |       |   |    |      |       |       |   |   |   |   |   |   |       |   |    |      |       |       |   |   |   |   |   |   |       |   |    |      |       |       |   |   |   |   |   |   |       |   |    |   |   |       |   |   |   |   |   |   |       |   |    |   |   |       |       |   |   |   |   |   |       |   |    |   |   |       |       |   |   |   |   |   |       |   |    |   |   |       |       |   |   |   |   |   |       |   |    |   |   |       |       |   |   |   |   |   |       |   |    |   |   |   |       |   |   |   |   |   |       |   |     |   |   |   |       |   |   |   |   |   |       |   |     |   |   |   |       |   |   |   |   |   |       |   |     |   |   |   |       |       |   |   |   |   |       |   |     |   |   |   |   |       |   |   |   |   |       |   |     |   |   |   |   |       |   |   |   |   |       |   |     |   |   |   |   |       |   |   |   |   |       |   |     |   |   |   |   |       |   |   |   |   |       |   |     |   |   |   |   |   |   |   |   |      |       |   |     |   |   |   |   |   |   |   |   |      |       |   |     |   |   |   |   |   |       |   |   |   |       |   |     |   |   |   |   |   |       |   |   |   |       |   |     |   |   |   |   |   |       |   |   |   |      |   |     |   |   |   |   |   |   |   |   |   |      |   |     |   |   |   |   |   |   |   |   |   |      |   |     |   |   |   |   |   |   |   |   |   |      |   |
| 78  | 44,1  | 143,0   | 214,0 | -      | -     | -           | - | -    | -    | 211,0 | -    |      |  |  |  |  |  |  |  |  |  |  |      |             |  |  |  |  |  |  |  |  |  |  |  |  |     |     |     |     |     |     |  |  |  |  |  |   |   |   |   |   |   |   |   |   |   |   |   |    |   |        |   |   |   |   |   |   |   |   |   |    |   |        |   |   |   |   |   |   |   |   |   |    |       |        |   |   |   |   |   |   |   |       |   |    |       |       |   |   |   |   |   |   |   |       |   |    |       |       |   |   |   |   |   |   |   |       |   |    |       |       |   |   |   |   |   |   |   |       |   |    |       |       |   |   |   |   |   |   |   |       |   |    |      |       |   |   |   |   |   |   |   |       |   |    |      |       |       |   |   |   |   |   |   |       |   |    |      |       |       |   |   |   |   |   |   |       |   |    |      |       |       |   |   |   |   |   |   |       |   |    |      |       |       |   |   |   |   |   |   |       |   |    |      |       |       |   |   |   |   |   |   |       |   |    |   |   |       |   |   |   |   |   |   |       |   |    |   |   |       |       |   |   |   |   |   |       |   |    |   |   |       |       |   |   |   |   |   |       |   |    |   |   |       |       |   |   |   |   |   |       |   |    |   |   |       |       |   |   |   |   |   |       |   |    |   |   |   |       |   |   |   |   |   |       |   |     |   |   |   |       |   |   |   |   |   |       |   |     |   |   |   |       |   |   |   |   |   |       |   |     |   |   |   |       |       |   |   |   |   |       |   |     |   |   |   |   |       |   |   |   |   |       |   |     |   |   |   |   |       |   |   |   |   |       |   |     |   |   |   |   |       |   |   |   |   |       |   |     |   |   |   |   |       |   |   |   |   |       |   |     |   |   |   |   |   |   |   |   |      |       |   |     |   |   |   |   |   |   |   |   |      |       |   |     |   |   |   |   |   |       |   |   |   |       |   |     |   |   |   |   |   |       |   |   |   |       |   |     |   |   |   |   |   |       |   |   |   |      |   |     |   |   |   |   |   |   |   |   |   |      |   |     |   |   |   |   |   |   |   |   |   |      |   |     |   |   |   |   |   |   |   |   |   |      |   |
| 82  | -     | -       | 196,0 | -      | -     | -           | - | -    | -    | 205,0 | -    |      |  |  |  |  |  |  |  |  |  |  |      |             |  |  |  |  |  |  |  |  |  |  |  |  |     |     |     |     |     |     |  |  |  |  |  |   |   |   |   |   |   |   |   |   |   |   |   |    |   |        |   |   |   |   |   |   |   |   |   |    |   |        |   |   |   |   |   |   |   |   |   |    |       |        |   |   |   |   |   |   |   |       |   |    |       |       |   |   |   |   |   |   |   |       |   |    |       |       |   |   |   |   |   |   |   |       |   |    |       |       |   |   |   |   |   |   |   |       |   |    |       |       |   |   |   |   |   |   |   |       |   |    |      |       |   |   |   |   |   |   |   |       |   |    |      |       |       |   |   |   |   |   |   |       |   |    |      |       |       |   |   |   |   |   |   |       |   |    |      |       |       |   |   |   |   |   |   |       |   |    |      |       |       |   |   |   |   |   |   |       |   |    |      |       |       |   |   |   |   |   |   |       |   |    |   |   |       |   |   |   |   |   |   |       |   |    |   |   |       |       |   |   |   |   |   |       |   |    |   |   |       |       |   |   |   |   |   |       |   |    |   |   |       |       |   |   |   |   |   |       |   |    |   |   |       |       |   |   |   |   |   |       |   |    |   |   |   |       |   |   |   |   |   |       |   |     |   |   |   |       |   |   |   |   |   |       |   |     |   |   |   |       |   |   |   |   |   |       |   |     |   |   |   |       |       |   |   |   |   |       |   |     |   |   |   |   |       |   |   |   |   |       |   |     |   |   |   |   |       |   |   |   |   |       |   |     |   |   |   |   |       |   |   |   |   |       |   |     |   |   |   |   |       |   |   |   |   |       |   |     |   |   |   |   |   |   |   |   |      |       |   |     |   |   |   |   |   |   |   |   |      |       |   |     |   |   |   |   |   |       |   |   |   |       |   |     |   |   |   |   |   |       |   |   |   |       |   |     |   |   |   |   |   |       |   |   |   |      |   |     |   |   |   |   |   |   |   |   |   |      |   |     |   |   |   |   |   |   |   |   |   |      |   |     |   |   |   |   |   |   |   |   |   |      |   |
| 86  | -     | -       | 179,0 | 198,0  | -     | -           | - | -    | -    | 195,0 | -    |      |  |  |  |  |  |  |  |  |  |  |      |             |  |  |  |  |  |  |  |  |  |  |  |  |     |     |     |     |     |     |  |  |  |  |  |   |   |   |   |   |   |   |   |   |   |   |   |    |   |        |   |   |   |   |   |   |   |   |   |    |   |        |   |   |   |   |   |   |   |   |   |    |       |        |   |   |   |   |   |   |   |       |   |    |       |       |   |   |   |   |   |   |   |       |   |    |       |       |   |   |   |   |   |   |   |       |   |    |       |       |   |   |   |   |   |   |   |       |   |    |       |       |   |   |   |   |   |   |   |       |   |    |      |       |   |   |   |   |   |   |   |       |   |    |      |       |       |   |   |   |   |   |   |       |   |    |      |       |       |   |   |   |   |   |   |       |   |    |      |       |       |   |   |   |   |   |   |       |   |    |      |       |       |   |   |   |   |   |   |       |   |    |      |       |       |   |   |   |   |   |   |       |   |    |   |   |       |   |   |   |   |   |   |       |   |    |   |   |       |       |   |   |   |   |   |       |   |    |   |   |       |       |   |   |   |   |   |       |   |    |   |   |       |       |   |   |   |   |   |       |   |    |   |   |       |       |   |   |   |   |   |       |   |    |   |   |   |       |   |   |   |   |   |       |   |     |   |   |   |       |   |   |   |   |   |       |   |     |   |   |   |       |   |   |   |   |   |       |   |     |   |   |   |       |       |   |   |   |   |       |   |     |   |   |   |   |       |   |   |   |   |       |   |     |   |   |   |   |       |   |   |   |   |       |   |     |   |   |   |   |       |   |   |   |   |       |   |     |   |   |   |   |       |   |   |   |   |       |   |     |   |   |   |   |   |   |   |   |      |       |   |     |   |   |   |   |   |   |   |   |      |       |   |     |   |   |   |   |   |       |   |   |   |       |   |     |   |   |   |   |   |       |   |   |   |       |   |     |   |   |   |   |   |       |   |   |   |      |   |     |   |   |   |   |   |   |   |   |   |      |   |     |   |   |   |   |   |   |   |   |   |      |   |     |   |   |   |   |   |   |   |   |   |      |   |
| 90  | -     | -       | 163,0 | 187,0  | -     | -           | - | -    | -    | 181,0 | -    |      |  |  |  |  |  |  |  |  |  |  |      |             |  |  |  |  |  |  |  |  |  |  |  |  |     |     |     |     |     |     |  |  |  |  |  |   |   |   |   |   |   |   |   |   |   |   |   |    |   |        |   |   |   |   |   |   |   |   |   |    |   |        |   |   |   |   |   |   |   |   |   |    |       |        |   |   |   |   |   |   |   |       |   |    |       |       |   |   |   |   |   |   |   |       |   |    |       |       |   |   |   |   |   |   |   |       |   |    |       |       |   |   |   |   |   |   |   |       |   |    |       |       |   |   |   |   |   |   |   |       |   |    |      |       |   |   |   |   |   |   |   |       |   |    |      |       |       |   |   |   |   |   |   |       |   |    |      |       |       |   |   |   |   |   |   |       |   |    |      |       |       |   |   |   |   |   |   |       |   |    |      |       |       |   |   |   |   |   |   |       |   |    |      |       |       |   |   |   |   |   |   |       |   |    |   |   |       |   |   |   |   |   |   |       |   |    |   |   |       |       |   |   |   |   |   |       |   |    |   |   |       |       |   |   |   |   |   |       |   |    |   |   |       |       |   |   |   |   |   |       |   |    |   |   |       |       |   |   |   |   |   |       |   |    |   |   |   |       |   |   |   |   |   |       |   |     |   |   |   |       |   |   |   |   |   |       |   |     |   |   |   |       |   |   |   |   |   |       |   |     |   |   |   |       |       |   |   |   |   |       |   |     |   |   |   |   |       |   |   |   |   |       |   |     |   |   |   |   |       |   |   |   |   |       |   |     |   |   |   |   |       |   |   |   |   |       |   |     |   |   |   |   |       |   |   |   |   |       |   |     |   |   |   |   |   |   |   |   |      |       |   |     |   |   |   |   |   |   |   |   |      |       |   |     |   |   |   |   |   |       |   |   |   |       |   |     |   |   |   |   |   |       |   |   |   |       |   |     |   |   |   |   |   |       |   |   |   |      |   |     |   |   |   |   |   |   |   |   |   |      |   |     |   |   |   |   |   |   |   |   |   |      |   |     |   |   |   |   |   |   |   |   |   |      |   |
| 92  | -     | -       | 152,0 | 182,0  | -     | -           | - | -    | -    | 174,5 | -    |      |  |  |  |  |  |  |  |  |  |  |      |             |  |  |  |  |  |  |  |  |  |  |  |  |     |     |     |     |     |     |  |  |  |  |  |   |   |   |   |   |   |   |   |   |   |   |   |    |   |        |   |   |   |   |   |   |   |   |   |    |   |        |   |   |   |   |   |   |   |   |   |    |       |        |   |   |   |   |   |   |   |       |   |    |       |       |   |   |   |   |   |   |   |       |   |    |       |       |   |   |   |   |   |   |   |       |   |    |       |       |   |   |   |   |   |   |   |       |   |    |       |       |   |   |   |   |   |   |   |       |   |    |      |       |   |   |   |   |   |   |   |       |   |    |      |       |       |   |   |   |   |   |   |       |   |    |      |       |       |   |   |   |   |   |   |       |   |    |      |       |       |   |   |   |   |   |   |       |   |    |      |       |       |   |   |   |   |   |   |       |   |    |      |       |       |   |   |   |   |   |   |       |   |    |   |   |       |   |   |   |   |   |   |       |   |    |   |   |       |       |   |   |   |   |   |       |   |    |   |   |       |       |   |   |   |   |   |       |   |    |   |   |       |       |   |   |   |   |   |       |   |    |   |   |       |       |   |   |   |   |   |       |   |    |   |   |   |       |   |   |   |   |   |       |   |     |   |   |   |       |   |   |   |   |   |       |   |     |   |   |   |       |   |   |   |   |   |       |   |     |   |   |   |       |       |   |   |   |   |       |   |     |   |   |   |   |       |   |   |   |   |       |   |     |   |   |   |   |       |   |   |   |   |       |   |     |   |   |   |   |       |   |   |   |   |       |   |     |   |   |   |   |       |   |   |   |   |       |   |     |   |   |   |   |   |   |   |   |      |       |   |     |   |   |   |   |   |   |   |   |      |       |   |     |   |   |   |   |   |       |   |   |   |       |   |     |   |   |   |   |   |       |   |   |   |       |   |     |   |   |   |   |   |       |   |   |   |      |   |     |   |   |   |   |   |   |   |   |   |      |   |     |   |   |   |   |   |   |   |   |   |      |   |     |   |   |   |   |   |   |   |   |   |      |   |
| 94  | -     | -       | -     | 177,0  | -     | -           | - | -    | -    | 168,0 | -    |      |  |  |  |  |  |  |  |  |  |  |      |             |  |  |  |  |  |  |  |  |  |  |  |  |     |     |     |     |     |     |  |  |  |  |  |   |   |   |   |   |   |   |   |   |   |   |   |    |   |        |   |   |   |   |   |   |   |   |   |    |   |        |   |   |   |   |   |   |   |   |   |    |       |        |   |   |   |   |   |   |   |       |   |    |       |       |   |   |   |   |   |   |   |       |   |    |       |       |   |   |   |   |   |   |   |       |   |    |       |       |   |   |   |   |   |   |   |       |   |    |       |       |   |   |   |   |   |   |   |       |   |    |      |       |   |   |   |   |   |   |   |       |   |    |      |       |       |   |   |   |   |   |   |       |   |    |      |       |       |   |   |   |   |   |   |       |   |    |      |       |       |   |   |   |   |   |   |       |   |    |      |       |       |   |   |   |   |   |   |       |   |    |      |       |       |   |   |   |   |   |   |       |   |    |   |   |       |   |   |   |   |   |   |       |   |    |   |   |       |       |   |   |   |   |   |       |   |    |   |   |       |       |   |   |   |   |   |       |   |    |   |   |       |       |   |   |   |   |   |       |   |    |   |   |       |       |   |   |   |   |   |       |   |    |   |   |   |       |   |   |   |   |   |       |   |     |   |   |   |       |   |   |   |   |   |       |   |     |   |   |   |       |   |   |   |   |   |       |   |     |   |   |   |       |       |   |   |   |   |       |   |     |   |   |   |   |       |   |   |   |   |       |   |     |   |   |   |   |       |   |   |   |   |       |   |     |   |   |   |   |       |   |   |   |   |       |   |     |   |   |   |   |       |   |   |   |   |       |   |     |   |   |   |   |   |   |   |   |      |       |   |     |   |   |   |   |   |   |   |   |      |       |   |     |   |   |   |   |   |       |   |   |   |       |   |     |   |   |   |   |   |       |   |   |   |       |   |     |   |   |   |   |   |       |   |   |   |      |   |     |   |   |   |   |   |   |   |   |   |      |   |     |   |   |   |   |   |   |   |   |   |      |   |     |   |   |   |   |   |   |   |   |   |      |   |
| 98  | -     | -       | -     | 168,0  | -     | -           | - | -    | -    | 156,0 | -    |      |  |  |  |  |  |  |  |  |  |  |      |             |  |  |  |  |  |  |  |  |  |  |  |  |     |     |     |     |     |     |  |  |  |  |  |   |   |   |   |   |   |   |   |   |   |   |   |    |   |        |   |   |   |   |   |   |   |   |   |    |   |        |   |   |   |   |   |   |   |   |   |    |       |        |   |   |   |   |   |   |   |       |   |    |       |       |   |   |   |   |   |   |   |       |   |    |       |       |   |   |   |   |   |   |   |       |   |    |       |       |   |   |   |   |   |   |   |       |   |    |       |       |   |   |   |   |   |   |   |       |   |    |      |       |   |   |   |   |   |   |   |       |   |    |      |       |       |   |   |   |   |   |   |       |   |    |      |       |       |   |   |   |   |   |   |       |   |    |      |       |       |   |   |   |   |   |   |       |   |    |      |       |       |   |   |   |   |   |   |       |   |    |      |       |       |   |   |   |   |   |   |       |   |    |   |   |       |   |   |   |   |   |   |       |   |    |   |   |       |       |   |   |   |   |   |       |   |    |   |   |       |       |   |   |   |   |   |       |   |    |   |   |       |       |   |   |   |   |   |       |   |    |   |   |       |       |   |   |   |   |   |       |   |    |   |   |   |       |   |   |   |   |   |       |   |     |   |   |   |       |   |   |   |   |   |       |   |     |   |   |   |       |   |   |   |   |   |       |   |     |   |   |   |       |       |   |   |   |   |       |   |     |   |   |   |   |       |   |   |   |   |       |   |     |   |   |   |   |       |   |   |   |   |       |   |     |   |   |   |   |       |   |   |   |   |       |   |     |   |   |   |   |       |   |   |   |   |       |   |     |   |   |   |   |   |   |   |   |      |       |   |     |   |   |   |   |   |   |   |   |      |       |   |     |   |   |   |   |   |       |   |   |   |       |   |     |   |   |   |   |   |       |   |   |   |       |   |     |   |   |   |   |   |       |   |   |   |      |   |     |   |   |   |   |   |   |   |   |   |      |   |     |   |   |   |   |   |   |   |   |   |      |   |     |   |   |   |   |   |   |   |   |   |      |   |
| 102   | -     | -       | -     | 160,0  | -     | -           | - | -    | -    | 145,0 | -    |      |  |  |  |  |  |  |  |  |  |  |      |             |  |  |  |  |  |  |  |  |  |  |  |  |     |     |     |     |     |     |  |  |  |  |  |   |   |   |   |   |   |   |   |   |   |   |   |    |   |        |   |   |   |   |   |   |   |   |   |    |   |        |   |   |   |   |   |   |   |   |   |    |       |        |   |   |   |   |   |   |   |       |   |    |       |       |   |   |   |   |   |   |   |       |   |    |       |       |   |   |   |   |   |   |   |       |   |    |       |       |   |   |   |   |   |   |   |       |   |    |       |       |   |   |   |   |   |   |   |       |   |    |      |       |   |   |   |   |   |   |   |       |   |    |      |       |       |   |   |   |   |   |   |       |   |    |      |       |       |   |   |   |   |   |   |       |   |    |      |       |       |   |   |   |   |   |   |       |   |    |      |       |       |   |   |   |   |   |   |       |   |    |      |       |       |   |   |   |   |   |   |       |   |    |   |   |       |   |   |   |   |   |   |       |   |    |   |   |       |       |   |   |   |   |   |       |   |    |   |   |       |       |   |   |   |   |   |       |   |    |   |   |       |       |   |   |   |   |   |       |   |    |   |   |       |       |   |   |   |   |   |       |   |    |   |   |   |       |   |   |   |   |   |       |   |     |   |   |   |       |   |   |   |   |   |       |   |     |   |   |   |       |   |   |   |   |   |       |   |     |   |   |   |       |       |   |   |   |   |       |   |     |   |   |   |   |       |   |   |   |   |       |   |     |   |   |   |   |       |   |   |   |   |       |   |     |   |   |   |   |       |   |   |   |   |       |   |     |   |   |   |   |       |   |   |   |   |       |   |     |   |   |   |   |   |   |   |   |      |       |   |     |   |   |   |   |   |   |   |   |      |       |   |     |   |   |   |   |   |       |   |   |   |       |   |     |   |   |   |   |   |       |   |   |   |       |   |     |   |   |   |   |   |       |   |   |   |      |   |     |   |   |   |   |   |   |   |   |   |      |   |     |   |   |   |   |   |   |   |   |   |      |   |     |   |   |   |   |   |   |   |   |   |      |   |
| 104   | -     | -       | -     | 156,0  | -     | -           | - | -    | -    | 140,0 | -    |      |  |  |  |  |  |  |  |  |  |  |      |             |  |  |  |  |  |  |  |  |  |  |  |  |     |     |     |     |     |     |  |  |  |  |  |   |   |   |   |   |   |   |   |   |   |   |   |    |   |        |   |   |   |   |   |   |   |   |   |    |   |        |   |   |   |   |   |   |   |   |   |    |       |        |   |   |   |   |   |   |   |       |   |    |       |       |   |   |   |   |   |   |   |       |   |    |       |       |   |   |   |   |   |   |   |       |   |    |       |       |   |   |   |   |   |   |   |       |   |    |       |       |   |   |   |   |   |   |   |       |   |    |      |       |   |   |   |   |   |   |   |       |   |    |      |       |       |   |   |   |   |   |   |       |   |    |      |       |       |   |   |   |   |   |   |       |   |    |      |       |       |   |   |   |   |   |   |       |   |    |      |       |       |   |   |   |   |   |   |       |   |    |      |       |       |   |   |   |   |   |   |       |   |    |   |   |       |   |   |   |   |   |   |       |   |    |   |   |       |       |   |   |   |   |   |       |   |    |   |   |       |       |   |   |   |   |   |       |   |    |   |   |       |       |   |   |   |   |   |       |   |    |   |   |       |       |   |   |   |   |   |       |   |    |   |   |   |       |   |   |   |   |   |       |   |     |   |   |   |       |   |   |   |   |   |       |   |     |   |   |   |       |   |   |   |   |   |       |   |     |   |   |   |       |       |   |   |   |   |       |   |     |   |   |   |   |       |   |   |   |   |       |   |     |   |   |   |   |       |   |   |   |   |       |   |     |   |   |   |   |       |   |   |   |   |       |   |     |   |   |   |   |       |   |   |   |   |       |   |     |   |   |   |   |   |   |   |   |      |       |   |     |   |   |   |   |   |   |   |   |      |       |   |     |   |   |   |   |   |       |   |   |   |       |   |     |   |   |   |   |   |       |   |   |   |       |   |     |   |   |   |   |   |       |   |   |   |      |   |     |   |   |   |   |   |   |   |   |   |      |   |     |   |   |   |   |   |   |   |   |   |      |   |     |   |   |   |   |   |   |   |   |   |      |   |
| 106   | -     | -       | -     | -      | 137,0 | -           | - | -    | -    | 135,0 | -    |      |  |  |  |  |  |  |  |  |  |  |      |             |  |  |  |  |  |  |  |  |  |  |  |  |     |     |     |     |     |     |  |  |  |  |  |   |   |   |   |   |   |   |   |   |   |   |   |    |   |        |   |   |   |   |   |   |   |   |   |    |   |        |   |   |   |   |   |   |   |   |   |    |       |        |   |   |   |   |   |   |   |       |   |    |       |       |   |   |   |   |   |   |   |       |   |    |       |       |   |   |   |   |   |   |   |       |   |    |       |       |   |   |   |   |   |   |   |       |   |    |       |       |   |   |   |   |   |   |   |       |   |    |      |       |   |   |   |   |   |   |   |       |   |    |      |       |       |   |   |   |   |   |   |       |   |    |      |       |       |   |   |   |   |   |   |       |   |    |      |       |       |   |   |   |   |   |   |       |   |    |      |       |       |   |   |   |   |   |   |       |   |    |      |       |       |   |   |   |   |   |   |       |   |    |   |   |       |   |   |   |   |   |   |       |   |    |   |   |       |       |   |   |   |   |   |       |   |    |   |   |       |       |   |   |   |   |   |       |   |    |   |   |       |       |   |   |   |   |   |       |   |    |   |   |       |       |   |   |   |   |   |       |   |    |   |   |   |       |   |   |   |   |   |       |   |     |   |   |   |       |   |   |   |   |   |       |   |     |   |   |   |       |   |   |   |   |   |       |   |     |   |   |   |       |       |   |   |   |   |       |   |     |   |   |   |   |       |   |   |   |   |       |   |     |   |   |   |   |       |   |   |   |   |       |   |     |   |   |   |   |       |   |   |   |   |       |   |     |   |   |   |   |       |   |   |   |   |       |   |     |   |   |   |   |   |   |   |   |      |       |   |     |   |   |   |   |   |   |   |   |      |       |   |     |   |   |   |   |   |       |   |   |   |       |   |     |   |   |   |   |   |       |   |   |   |       |   |     |   |   |   |   |   |       |   |   |   |      |   |     |   |   |   |   |   |   |   |   |   |      |   |     |   |   |   |   |   |   |   |   |   |      |   |     |   |   |   |   |   |   |   |   |   |      |   |
| 110   | -     | -       | -     | -      | 130,0 | -           | - | -    | -    | 125,0 | -    |      |  |  |  |  |  |  |  |  |  |  |      |             |  |  |  |  |  |  |  |  |  |  |  |  |     |     |     |     |     |     |  |  |  |  |  |   |   |   |   |   |   |   |   |   |   |   |   |    |   |        |   |   |   |   |   |   |   |   |   |    |   |        |   |   |   |   |   |   |   |   |   |    |       |        |   |   |   |   |   |   |   |       |   |    |       |       |   |   |   |   |   |   |   |       |   |    |       |       |   |   |   |   |   |   |   |       |   |    |       |       |   |   |   |   |   |   |   |       |   |    |       |       |   |   |   |   |   |   |   |       |   |    |      |       |   |   |   |   |   |   |   |       |   |    |      |       |       |   |   |   |   |   |   |       |   |    |      |       |       |   |   |   |   |   |   |       |   |    |      |       |       |   |   |   |   |   |   |       |   |    |      |       |       |   |   |   |   |   |   |       |   |    |      |       |       |   |   |   |   |   |   |       |   |    |   |   |       |   |   |   |   |   |   |       |   |    |   |   |       |       |   |   |   |   |   |       |   |    |   |   |       |       |   |   |   |   |   |       |   |    |   |   |       |       |   |   |   |   |   |       |   |    |   |   |       |       |   |   |   |   |   |       |   |    |   |   |   |       |   |   |   |   |   |       |   |     |   |   |   |       |   |   |   |   |   |       |   |     |   |   |   |       |   |   |   |   |   |       |   |     |   |   |   |       |       |   |   |   |   |       |   |     |   |   |   |   |       |   |   |   |   |       |   |     |   |   |   |   |       |   |   |   |   |       |   |     |   |   |   |   |       |   |   |   |   |       |   |     |   |   |   |   |       |   |   |   |   |       |   |     |   |   |   |   |   |   |   |   |      |       |   |     |   |   |   |   |   |   |   |   |      |       |   |     |   |   |   |   |   |       |   |   |   |       |   |     |   |   |   |   |   |       |   |   |   |       |   |     |   |   |   |   |   |       |   |   |   |      |   |     |   |   |   |   |   |   |   |   |   |      |   |     |   |   |   |   |   |   |   |   |   |      |   |     |   |   |   |   |   |   |   |   |   |      |   |
| 114   | -     | -       | -     | -      | 124,0 | -           | - | -    | -    | 114,0 | -    |      |  |  |  |  |  |  |  |  |  |  |      |             |  |  |  |  |  |  |  |  |  |  |  |  |     |     |     |     |     |     |  |  |  |  |  |   |   |   |   |   |   |   |   |   |   |   |   |    |   |        |   |   |   |   |   |   |   |   |   |    |   |        |   |   |   |   |   |   |   |   |   |    |       |        |   |   |   |   |   |   |   |       |   |    |       |       |   |   |   |   |   |   |   |       |   |    |       |       |   |   |   |   |   |   |   |       |   |    |       |       |   |   |   |   |   |   |   |       |   |    |       |       |   |   |   |   |   |   |   |       |   |    |      |       |   |   |   |   |   |   |   |       |   |    |      |       |       |   |   |   |   |   |   |       |   |    |      |       |       |   |   |   |   |   |   |       |   |    |      |       |       |   |   |   |   |   |   |       |   |    |      |       |       |   |   |   |   |   |   |       |   |    |      |       |       |   |   |   |   |   |   |       |   |    |   |   |       |   |   |   |   |   |   |       |   |    |   |   |       |       |   |   |   |   |   |       |   |    |   |   |       |       |   |   |   |   |   |       |   |    |   |   |       |       |   |   |   |   |   |       |   |    |   |   |       |       |   |   |   |   |   |       |   |    |   |   |   |       |   |   |   |   |   |       |   |     |   |   |   |       |   |   |   |   |   |       |   |     |   |   |   |       |   |   |   |   |   |       |   |     |   |   |   |       |       |   |   |   |   |       |   |     |   |   |   |   |       |   |   |   |   |       |   |     |   |   |   |   |       |   |   |   |   |       |   |     |   |   |   |   |       |   |   |   |   |       |   |     |   |   |   |   |       |   |   |   |   |       |   |     |   |   |   |   |   |   |   |   |      |       |   |     |   |   |   |   |   |   |   |   |      |       |   |     |   |   |   |   |   |       |   |   |   |       |   |     |   |   |   |   |   |       |   |   |   |       |   |     |   |   |   |   |   |       |   |   |   |      |   |     |   |   |   |   |   |   |   |   |   |      |   |     |   |   |   |   |   |   |   |   |   |      |   |     |   |   |   |   |   |   |   |   |   |      |   |
| 116   | -     | -       | -     | -      | 122,0 | -           | - | -    | -    | 108,0 | -    |      |  |  |  |  |  |  |  |  |  |  |      |             |  |  |  |  |  |  |  |  |  |  |  |  |     |     |     |     |     |     |  |  |  |  |  |   |   |   |   |   |   |   |   |   |   |   |   |    |   |        |   |   |   |   |   |   |   |   |   |    |   |        |   |   |   |   |   |   |   |   |   |    |       |        |   |   |   |   |   |   |   |       |   |    |       |       |   |   |   |   |   |   |   |       |   |    |       |       |   |   |   |   |   |   |   |       |   |    |       |       |   |   |   |   |   |   |   |       |   |    |       |       |   |   |   |   |   |   |   |       |   |    |      |       |   |   |   |   |   |   |   |       |   |    |      |       |       |   |   |   |   |   |   |       |   |    |      |       |       |   |   |   |   |   |   |       |   |    |      |       |       |   |   |   |   |   |   |       |   |    |      |       |       |   |   |   |   |   |   |       |   |    |      |       |       |   |   |   |   |   |   |       |   |    |   |   |       |   |   |   |   |   |   |       |   |    |   |   |       |       |   |   |   |   |   |       |   |    |   |   |       |       |   |   |   |   |   |       |   |    |   |   |       |       |   |   |   |   |   |       |   |    |   |   |       |       |   |   |   |   |   |       |   |    |   |   |   |       |   |   |   |   |   |       |   |     |   |   |   |       |   |   |   |   |   |       |   |     |   |   |   |       |   |   |   |   |   |       |   |     |   |   |   |       |       |   |   |   |   |       |   |     |   |   |   |   |       |   |   |   |   |       |   |     |   |   |   |   |       |   |   |   |   |       |   |     |   |   |   |   |       |   |   |   |   |       |   |     |   |   |   |   |       |   |   |   |   |       |   |     |   |   |   |   |   |   |   |   |      |       |   |     |   |   |   |   |   |   |   |   |      |       |   |     |   |   |   |   |   |       |   |   |   |       |   |     |   |   |   |   |   |       |   |   |   |       |   |     |   |   |   |   |   |       |   |   |   |      |   |     |   |   |   |   |   |   |   |   |   |      |   |     |   |   |   |   |   |   |   |   |   |      |   |     |   |   |   |   |   |   |   |   |   |      |   |
| 118   | -     | -       | -     | -      | -     | -           | - | -    | -    | 102,0 | -    |      |  |  |  |  |  |  |  |  |  |  |      |             |  |  |  |  |  |  |  |  |  |  |  |  |     |     |     |     |     |     |  |  |  |  |  |   |   |   |   |   |   |   |   |   |   |   |   |    |   |        |   |   |   |   |   |   |   |   |   |    |   |        |   |   |   |   |   |   |   |   |   |    |       |        |   |   |   |   |   |   |   |       |   |    |       |       |   |   |   |   |   |   |   |       |   |    |       |       |   |   |   |   |   |   |   |       |   |    |       |       |   |   |   |   |   |   |   |       |   |    |       |       |   |   |   |   |   |   |   |       |   |    |      |       |   |   |   |   |   |   |   |       |   |    |      |       |       |   |   |   |   |   |   |       |   |    |      |       |       |   |   |   |   |   |   |       |   |    |      |       |       |   |   |   |   |   |   |       |   |    |      |       |       |   |   |   |   |   |   |       |   |    |      |       |       |   |   |   |   |   |   |       |   |    |   |   |       |   |   |   |   |   |   |       |   |    |   |   |       |       |   |   |   |   |   |       |   |    |   |   |       |       |   |   |   |   |   |       |   |    |   |   |       |       |   |   |   |   |   |       |   |    |   |   |       |       |   |   |   |   |   |       |   |    |   |   |   |       |   |   |   |   |   |       |   |     |   |   |   |       |   |   |   |   |   |       |   |     |   |   |   |       |   |   |   |   |   |       |   |     |   |   |   |       |       |   |   |   |   |       |   |     |   |   |   |   |       |   |   |   |   |       |   |     |   |   |   |   |       |   |   |   |   |       |   |     |   |   |   |   |       |   |   |   |   |       |   |     |   |   |   |   |       |   |   |   |   |       |   |     |   |   |   |   |   |   |   |   |      |       |   |     |   |   |   |   |   |   |   |   |      |       |   |     |   |   |   |   |   |       |   |   |   |       |   |     |   |   |   |   |   |       |   |   |   |       |   |     |   |   |   |   |   |       |   |   |   |      |   |     |   |   |   |   |   |   |   |   |   |      |   |     |   |   |   |   |   |   |   |   |   |      |   |     |   |   |   |   |   |   |   |   |   |      |   |
| 122   | -     | -       | -     | -      | -     | -           | - | -    | 91,5 | 90,5  | -    |      |  |  |  |  |  |  |  |  |  |  |      |             |  |  |  |  |  |  |  |  |  |  |  |  |     |     |     |     |     |     |  |  |  |  |  |   |   |   |   |   |   |   |   |   |   |   |   |    |   |        |   |   |   |   |   |   |   |   |   |    |   |        |   |   |   |   |   |   |   |   |   |    |       |        |   |   |   |   |   |   |   |       |   |    |       |       |   |   |   |   |   |   |   |       |   |    |       |       |   |   |   |   |   |   |   |       |   |    |       |       |   |   |   |   |   |   |   |       |   |    |       |       |   |   |   |   |   |   |   |       |   |    |      |       |   |   |   |   |   |   |   |       |   |    |      |       |       |   |   |   |   |   |   |       |   |    |      |       |       |   |   |   |   |   |   |       |   |    |      |       |       |   |   |   |   |   |   |       |   |    |      |       |       |   |   |   |   |   |   |       |   |    |      |       |       |   |   |   |   |   |   |       |   |    |   |   |       |   |   |   |   |   |   |       |   |    |   |   |       |       |   |   |   |   |   |       |   |    |   |   |       |       |   |   |   |   |   |       |   |    |   |   |       |       |   |   |   |   |   |       |   |    |   |   |       |       |   |   |   |   |   |       |   |    |   |   |   |       |   |   |   |   |   |       |   |     |   |   |   |       |   |   |   |   |   |       |   |     |   |   |   |       |   |   |   |   |   |       |   |     |   |   |   |       |       |   |   |   |   |       |   |     |   |   |   |   |       |   |   |   |   |       |   |     |   |   |   |   |       |   |   |   |   |       |   |     |   |   |   |   |       |   |   |   |   |       |   |     |   |   |   |   |       |   |   |   |   |       |   |     |   |   |   |   |   |   |   |   |      |       |   |     |   |   |   |   |   |   |   |   |      |       |   |     |   |   |   |   |   |       |   |   |   |       |   |     |   |   |   |   |   |       |   |   |   |       |   |     |   |   |   |   |   |       |   |   |   |      |   |     |   |   |   |   |   |   |   |   |   |      |   |     |   |   |   |   |   |   |   |   |   |      |   |     |   |   |   |   |   |   |   |   |   |      |   |
| 126   | -     | -       | -     | -      | -     | -           | - | -    | 86,5 | 79,5  | -    |      |  |  |  |  |  |  |  |  |  |  |      |             |  |  |  |  |  |  |  |  |  |  |  |  |     |     |     |     |     |     |  |  |  |  |  |   |   |   |   |   |   |   |   |   |   |   |   |    |   |        |   |   |   |   |   |   |   |   |   |    |   |        |   |   |   |   |   |   |   |   |   |    |       |        |   |   |   |   |   |   |   |       |   |    |       |       |   |   |   |   |   |   |   |       |   |    |       |       |   |   |   |   |   |   |   |       |   |    |       |       |   |   |   |   |   |   |   |       |   |    |       |       |   |   |   |   |   |   |   |       |   |    |      |       |   |   |   |   |   |   |   |       |   |    |      |       |       |   |   |   |   |   |   |       |   |    |      |       |       |   |   |   |   |   |   |       |   |    |      |       |       |   |   |   |   |   |   |       |   |    |      |       |       |   |   |   |   |   |   |       |   |    |      |       |       |   |   |   |   |   |   |       |   |    |   |   |       |   |   |   |   |   |   |       |   |    |   |   |       |       |   |   |   |   |   |       |   |    |   |   |       |       |   |   |   |   |   |       |   |    |   |   |       |       |   |   |   |   |   |       |   |    |   |   |       |       |   |   |   |   |   |       |   |    |   |   |   |       |   |   |   |   |   |       |   |     |   |   |   |       |   |   |   |   |   |       |   |     |   |   |   |       |   |   |   |   |   |       |   |     |   |   |   |       |       |   |   |   |   |       |   |     |   |   |   |   |       |   |   |   |   |       |   |     |   |   |   |   |       |   |   |   |   |       |   |     |   |   |   |   |       |   |   |   |   |       |   |     |   |   |   |   |       |   |   |   |   |       |   |     |   |   |   |   |   |   |   |   |      |       |   |     |   |   |   |   |   |   |   |   |      |       |   |     |   |   |   |   |   |       |   |   |   |       |   |     |   |   |   |   |   |       |   |   |   |       |   |     |   |   |   |   |   |       |   |   |   |      |   |     |   |   |   |   |   |   |   |   |   |      |   |     |   |   |   |   |   |   |   |   |   |      |   |     |   |   |   |   |   |   |   |   |   |      |   |
| 130   | -     | -       | -     | -      | -     | -           | - | -    | -    | 68,5  | -    |      |  |  |  |  |  |  |  |  |  |  |      |             |  |  |  |  |  |  |  |  |  |  |  |  |     |     |     |     |     |     |  |  |  |  |  |   |   |   |   |   |   |   |   |   |   |   |   |    |   |        |   |   |   |   |   |   |   |   |   |    |   |        |   |   |   |   |   |   |   |   |   |    |       |        |   |   |   |   |   |   |   |       |   |    |       |       |   |   |   |   |   |   |   |       |   |    |       |       |   |   |   |   |   |   |   |       |   |    |       |       |   |   |   |   |   |   |   |       |   |    |       |       |   |   |   |   |   |   |   |       |   |    |      |       |   |   |   |   |   |   |   |       |   |    |      |       |       |   |   |   |   |   |   |       |   |    |      |       |       |   |   |   |   |   |   |       |   |    |      |       |       |   |   |   |   |   |   |       |   |    |      |       |       |   |   |   |   |   |   |       |   |    |      |       |       |   |   |   |   |   |   |       |   |    |   |   |       |   |   |   |   |   |   |       |   |    |   |   |       |       |   |   |   |   |   |       |   |    |   |   |       |       |   |   |   |   |   |       |   |    |   |   |       |       |   |   |   |   |   |       |   |    |   |   |       |       |   |   |   |   |   |       |   |    |   |   |   |       |   |   |   |   |   |       |   |     |   |   |   |       |   |   |   |   |   |       |   |     |   |   |   |       |   |   |   |   |   |       |   |     |   |   |   |       |       |   |   |   |   |       |   |     |   |   |   |   |       |   |   |   |   |       |   |     |   |   |   |   |       |   |   |   |   |       |   |     |   |   |   |   |       |   |   |   |   |       |   |     |   |   |   |   |       |   |   |   |   |       |   |     |   |   |   |   |   |   |   |   |      |       |   |     |   |   |   |   |   |   |   |   |      |       |   |     |   |   |   |   |   |       |   |   |   |       |   |     |   |   |   |   |   |       |   |   |   |       |   |     |   |   |   |   |   |       |   |   |   |      |   |     |   |   |   |   |   |   |   |   |   |      |   |     |   |   |   |   |   |   |   |   |   |      |   |     |   |   |   |   |   |   |   |   |   |      |   |
| 134   | -     | -       | -     | -      | -     | -           | - | -    | -    | 61,5  | -    |      |  |  |  |  |  |  |  |  |  |  |      |             |  |  |  |  |  |  |  |  |  |  |  |  |     |     |     |     |     |     |  |  |  |  |  |   |   |   |   |   |   |   |   |   |   |   |   |    |   |        |   |   |   |   |   |   |   |   |   |    |   |        |   |   |   |   |   |   |   |   |   |    |       |        |   |   |   |   |   |   |   |       |   |    |       |       |   |   |   |   |   |   |   |       |   |    |       |       |   |   |   |   |   |   |   |       |   |    |       |       |   |   |   |   |   |   |   |       |   |    |       |       |   |   |   |   |   |   |   |       |   |    |      |       |   |   |   |   |   |   |   |       |   |    |      |       |       |   |   |   |   |   |   |       |   |    |      |       |       |   |   |   |   |   |   |       |   |    |      |       |       |   |   |   |   |   |   |       |   |    |      |       |       |   |   |   |   |   |   |       |   |    |      |       |       |   |   |   |   |   |   |       |   |    |   |   |       |   |   |   |   |   |   |       |   |    |   |   |       |       |   |   |   |   |   |       |   |    |   |   |       |       |   |   |   |   |   |       |   |    |   |   |       |       |   |   |   |   |   |       |   |    |   |   |       |       |   |   |   |   |   |       |   |    |   |   |   |       |   |   |   |   |   |       |   |     |   |   |   |       |   |   |   |   |   |       |   |     |   |   |   |       |   |   |   |   |   |       |   |     |   |   |   |       |       |   |   |   |   |       |   |     |   |   |   |   |       |   |   |   |   |       |   |     |   |   |   |   |       |   |   |   |   |       |   |     |   |   |   |   |       |   |   |   |   |       |   |     |   |   |   |   |       |   |   |   |   |       |   |     |   |   |   |   |   |   |   |   |      |       |   |     |   |   |   |   |   |   |   |   |      |       |   |     |   |   |   |   |   |       |   |   |   |       |   |     |   |   |   |   |   |       |   |   |   |       |   |     |   |   |   |   |   |       |   |   |   |      |   |     |   |   |   |   |   |   |   |   |   |      |   |     |   |   |   |   |   |   |   |   |   |      |   |     |   |   |   |   |   |   |   |   |   |      |   |

6 m steps of luffing jib is standard · 6 m Stufung der Wippe ist Standard · Des paliers de 6 m sont de série pour la fléchette

Main boom angle 88°, 85°, 75°, 65°, 55° and 45°; capacities for intermediate boom positions are calculated by the crane control system IC-1  
 Hauptauslegerwinkel 88°, 85°, 75°, 65°, 55° und 45°; Traglasten für Zwischenstellungen des Hauptauslegers werden von der Kransteuerung IC-1 berechnet

Jarret de flèche principale 88°, 85°, 75°, 65°, 55° et 45° ; le système de commande de la grue IC-1 calcule les charges pour les positions intermédiaires de la flèche

\* Main boom angle 88° · Hauptauslegerwinkel 88° · Jarret de flèche principale 88°

| 295 t + 60 t ZB   |       | 19-30 m |             | 10,5 m |       | 9.8 m/s     |       | 360° |  | ISO |  |   |      |  |  |  |  |  |      |     |  |             |  |  |  |  |     |     |     |     |     |     |   |    |   |        |   |   |   |   |   |    |   |        |   |   |   |   |   |    |       |        |   |   |   |   |       |    |      |       |   |   |   |   |       |    |      |       |   |   |   |   |       |    |      |       |   |   |   |   |       |    |      |       |   |   |   |   |       |    |      |       |   |   |   |   |       |    |      |       |   |   |   |   |       |    |      |       |       |   |   |   |       |    |      |       |       |   |   |   |       |    |      |       |       |   |   |   |       |    |      |       |       |   |   |   |       |    |      |       |       |   |   |   |       |    |      |       |       |   |   |   |       |    |      |       |       |   |   |   |       |    |      |       |       |   |   |   |       |    |      |      |       |       |   |   |       |     |      |      |       |       |   |   |       |     |   |   |       |       |   |   |       |     |   |   |       |       |   |   |       |     |   |   |       |       |   |   |       |     |   |   |      |       |   |   |       |     |   |   |   |       |   |   |       |     |   |   |   |       |       |   |       |     |   |   |   |       |       |   |       |     |   |   |   |       |       |   |       |     |   |   |   |      |       |   |      |     |   |   |   |   |       |   |      |     |   |   |   |   |      |   |      |     |   |   |   |   |      |   |      |     |   |   |   |   |      |      |      |     |   |   |   |   |   |      |      |     |   |   |   |   |   |      |      |     |   |   |   |   |   |      |      |     |   |   |   |   |   |      |      |     |   |   |   |   |   |   |      |     |   |   |   |   |   |   |      |
|---|-------|---------|-------------|--------|-------|-------------|-------|------|--|-----|--|---|------|--|--|--|--|--|------|-----|--|-------------|--|--|--|--|-----|-----|-----|-----|-----|-----|---|----|---|--------|---|---|---|---|---|----|---|--------|---|---|---|---|---|----|-------|--------|---|---|---|---|-------|----|------|-------|---|---|---|---|-------|----|------|-------|---|---|---|---|-------|----|------|-------|---|---|---|---|-------|----|------|-------|---|---|---|---|-------|----|------|-------|---|---|---|---|-------|----|------|-------|---|---|---|---|-------|----|------|-------|-------|---|---|---|-------|----|------|-------|-------|---|---|---|-------|----|------|-------|-------|---|---|---|-------|----|------|-------|-------|---|---|---|-------|----|------|-------|-------|---|---|---|-------|----|------|-------|-------|---|---|---|-------|----|------|-------|-------|---|---|---|-------|----|------|-------|-------|---|---|---|-------|----|------|------|-------|-------|---|---|-------|-----|------|------|-------|-------|---|---|-------|-----|---|---|-------|-------|---|---|-------|-----|---|---|-------|-------|---|---|-------|-----|---|---|-------|-------|---|---|-------|-----|---|---|------|-------|---|---|-------|-----|---|---|---|-------|---|---|-------|-----|---|---|---|-------|-------|---|-------|-----|---|---|---|-------|-------|---|-------|-----|---|---|---|-------|-------|---|-------|-----|---|---|---|------|-------|---|------|-----|---|---|---|---|-------|---|------|-----|---|---|---|---|------|---|------|-----|---|---|---|---|------|---|------|-----|---|---|---|---|------|------|------|-----|---|---|---|---|---|------|------|-----|---|---|---|---|---|------|------|-----|---|---|---|---|---|------|------|-----|---|---|---|---|---|------|------|-----|---|---|---|---|---|---|------|-----|---|---|---|---|---|---|------|
| 78 m + 84 m   |       |         |             |        |       | 78 m + 96 m |       |      |  |     |  |   |      |  |  |  |  |  |      |     |  |             |  |  |  |  |     |     |     |     |     |     |   |    |   |        |   |   |   |   |   |    |   |        |   |   |   |   |   |    |       |        |   |   |   |   |       |    |      |       |   |   |   |   |       |    |      |       |   |   |   |   |       |    |      |       |   |   |   |   |       |    |      |       |   |   |   |   |       |    |      |       |   |   |   |   |       |    |      |       |   |   |   |   |       |    |      |       |       |   |   |   |       |    |      |       |       |   |   |   |       |    |      |       |       |   |   |   |       |    |      |       |       |   |   |   |       |    |      |       |       |   |   |   |       |    |      |       |       |   |   |   |       |    |      |       |       |   |   |   |       |    |      |       |       |   |   |   |       |    |      |      |       |       |   |   |       |     |      |      |       |       |   |   |       |     |   |   |       |       |   |   |       |     |   |   |       |       |   |   |       |     |   |   |       |       |   |   |       |     |   |   |      |       |   |   |       |     |   |   |   |       |   |   |       |     |   |   |   |       |       |   |       |     |   |   |   |       |       |   |       |     |   |   |   |       |       |   |       |     |   |   |   |      |       |   |      |     |   |   |   |   |       |   |      |     |   |   |   |   |      |   |      |     |   |   |   |   |      |   |      |     |   |   |   |   |      |      |      |     |   |   |   |   |   |      |      |     |   |   |   |   |   |      |      |     |   |   |   |   |   |      |      |     |   |   |   |   |   |      |      |     |   |   |   |   |   |   |      |     |   |   |   |   |   |   |      |
| <table border="1"> <thead> <tr> <th rowspan="3">m</th> <th colspan="6">SWSL</th> <th>SFSL</th> </tr> <tr> <th colspan="2">0 t</th> <th colspan="4">0 t - 640 t</th> <th></th> </tr> <tr> <th>85°</th> <th>85°</th> <th>75°</th> <th>65°</th> <th>55°</th> <th>45°</th> <th>t</th> </tr> </thead> <tbody> <tr><td>34</td><td>-</td><td>195,0*</td><td>-</td><td>-</td><td>-</td><td>-</td><td>-</td></tr> <tr><td>38</td><td>-</td><td>190,0*</td><td>-</td><td>-</td><td>-</td><td>-</td><td>-</td></tr> <tr><td>42</td><td>101,0</td><td>202,0</td><td>-</td><td>-</td><td>-</td><td>-</td><td>198,0</td></tr> <tr><td>46</td><td>89,5</td><td>199,0</td><td>-</td><td>-</td><td>-</td><td>-</td><td>198,0</td></tr> <tr><td>50</td><td>79,5</td><td>195,0</td><td>-</td><td>-</td><td>-</td><td>-</td><td>198,0</td></tr> <tr><td>54</td><td>71,0</td><td>192,0</td><td>-</td><td>-</td><td>-</td><td>-</td><td>198,0</td></tr> <tr><td>58</td><td>63,5</td><td>188,0</td><td>-</td><td>-</td><td>-</td><td>-</td><td>198,0</td></tr> <tr><td>62</td><td>57,0</td><td>184,0</td><td>-</td><td>-</td><td>-</td><td>-</td><td>197,0</td></tr> <tr><td>66</td><td>51,0</td><td>180,0</td><td>-</td><td>-</td><td>-</td><td>-</td><td>194,0</td></tr> <tr><td>68</td><td>48,5</td><td>179,0</td><td>202,0</td><td>-</td><td>-</td><td>-</td><td>192,0</td></tr> <tr><td>70</td><td>45,8</td><td>177,0</td><td>202,0</td><td>-</td><td>-</td><td>-</td><td>190,0</td></tr> <tr><td>74</td><td>41,1</td><td>168,0</td><td>202,0</td><td>-</td><td>-</td><td>-</td><td>187,0</td></tr> <tr><td>78</td><td>36,7</td><td>154,0</td><td>202,0</td><td>-</td><td>-</td><td>-</td><td>183,0</td></tr> <tr><td>82</td><td>32,4</td><td>139,5</td><td>190,0</td><td>-</td><td>-</td><td>-</td><td>178,0</td></tr> <tr><td>86</td><td>28,3</td><td>123,0</td><td>174,0</td><td>-</td><td>-</td><td>-</td><td>174,0</td></tr> <tr><td>88</td><td>26,4</td><td>115,0</td><td>166,0</td><td>-</td><td>-</td><td>-</td><td>172,0</td></tr> <tr><td>90</td><td>-</td><td>-</td><td>159,0</td><td>-</td><td>-</td><td>-</td><td>170,0</td></tr> <tr><td>92</td><td>-</td><td>-</td><td>153,0</td><td>173,0</td><td>-</td><td>-</td><td>167,5</td></tr> <tr><td>94</td><td>-</td><td>-</td><td>147,0</td><td>168,0</td><td>-</td><td>-</td><td>165,0</td></tr> <tr><td>98</td><td>-</td><td>-</td><td>135,0</td><td>159,0</td><td>-</td><td>-</td><td>153,0</td></tr> <tr><td>102</td><td>-</td><td>-</td><td>122,0</td><td>151,0</td><td>-</td><td>-</td><td>142,0</td></tr> <tr><td>104</td><td>-</td><td>-</td><td>114,0</td><td>147,0</td><td>-</td><td>-</td><td>137,0</td></tr> <tr><td>106</td><td>-</td><td>-</td><td>-</td><td>143,0</td><td>-</td><td>-</td><td>132,0</td></tr> <tr><td>110</td><td>-</td><td>-</td><td>-</td><td>136,0</td><td>-</td><td>-</td><td>123,0</td></tr> <tr><td>114</td><td>-</td><td>-</td><td>-</td><td>128,0</td><td>115,0</td><td>-</td><td>114,0</td></tr> <tr><td>116</td><td>-</td><td>-</td><td>-</td><td>123,0</td><td>112,0</td><td>-</td><td>109,5</td></tr> <tr><td>118</td><td>-</td><td>-</td><td>-</td><td>-</td><td>110,0</td><td>-</td><td>105,0</td></tr> <tr><td>122</td><td>-</td><td>-</td><td>-</td><td>-</td><td>104,0</td><td>-</td><td>95,0</td></tr> <tr><td>126</td><td>-</td><td>-</td><td>-</td><td>-</td><td>100,0</td><td>-</td><td>84,5</td></tr> <tr><td>128</td><td>-</td><td>-</td><td>-</td><td>-</td><td>98,0</td><td>-</td><td>79,5</td></tr> <tr><td>130</td><td>-</td><td>-</td><td>-</td><td>-</td><td>-</td><td>-</td><td>74,5</td></tr> <tr><td>134</td><td>-</td><td>-</td><td>-</td><td>-</td><td>-</td><td>68,0</td><td>65,0</td></tr> <tr><td>138</td><td>-</td><td>-</td><td>-</td><td>-</td><td>-</td><td>64,5</td><td>55,5</td></tr> <tr><td>142</td><td>-</td><td>-</td><td>-</td><td>-</td><td>-</td><td>-</td><td>48,8</td></tr> <tr><td>146</td><td>-</td><td>-</td><td>-</td><td>-</td><td>-</td><td>-</td><td>44,3</td></tr> </tbody> </table>  |       |         |             |        |       |             |       |      |  |     |  | m | SWSL |  |  |  |  |  | SFSL | 0 t |  | 0 t - 640 t |  |  |  |  | 85° | 85° | 75° | 65° | 55° | 45° | t | 34 | - | 195,0* | - | - | - | - | - | 38 | - | 190,0* | - | - | - | - | - | 42 | 101,0 | 202,0  | - | - | - | - | 198,0 | 46 | 89,5 | 199,0 | - | - | - | - | 198,0 | 50 | 79,5 | 195,0 | - | - | - | - | 198,0 | 54 | 71,0 | 192,0 | - | - | - | - | 198,0 | 58 | 63,5 | 188,0 | - | - | - | - | 198,0 | 62 | 57,0 | 184,0 | - | - | - | - | 197,0 | 66 | 51,0 | 180,0 | - | - | - | - | 194,0 | 68 | 48,5 | 179,0 | 202,0 | - | - | - | 192,0 | 70 | 45,8 | 177,0 | 202,0 | - | - | - | 190,0 | 74 | 41,1 | 168,0 | 202,0 | - | - | - | 187,0 | 78 | 36,7 | 154,0 | 202,0 | - | - | - | 183,0 | 82 | 32,4 | 139,5 | 190,0 | - | - | - | 178,0 | 86 | 28,3 | 123,0 | 174,0 | - | - | - | 174,0 | 88 | 26,4 | 115,0 | 166,0 | - | - | - | 172,0 | 90 | -    | -     | 159,0 | - | - | - | 170,0 | 92 | -    | -    | 153,0 | 173,0 | - | - | 167,5 | 94  | -    | -    | 147,0 | 168,0 | - | - | 165,0 | 98  | - | - | 135,0 | 159,0 | - | - | 153,0 | 102 | - | - | 122,0 | 151,0 | - | - | 142,0 | 104 | - | - | 114,0 | 147,0 | - | - | 137,0 | 106 | - | - | -    | 143,0 | - | - | 132,0 | 110 | - | - | - | 136,0 | - | - | 123,0 | 114 | - | - | - | 128,0 | 115,0 | - | 114,0 | 116 | - | - | - | 123,0 | 112,0 | - | 109,5 | 118 | - | - | - | -     | 110,0 | - | 105,0 | 122 | - | - | - | -    | 104,0 | - | 95,0 | 126 | - | - | - | - | 100,0 | - | 84,5 | 128 | - | - | - | - | 98,0 | - | 79,5 | 130 | - | - | - | - | -    | - | 74,5 | 134 | - | - | - | - | -    | 68,0 | 65,0 | 138 | - | - | - | - | - | 64,5 | 55,5 | 142 | - | - | - | - | - | -    | 48,8 | 146 | - | - | - | - | - | -    | 44,3 |     |   |   |   |   |   |      |      |     |   |   |   |   |   |   |      |     |   |   |   |   |   |   |      |
| m   | SWSL  |         |             |        |       |             | SFSL  |      |  |     |  |   |      |  |  |  |  |  |      |     |  |             |  |  |  |  |     |     |     |     |     |     |   |    |   |        |   |   |   |   |   |    |   |        |   |   |   |   |   |    |       |        |   |   |   |   |       |    |      |       |   |   |   |   |       |    |      |       |   |   |   |   |       |    |      |       |   |   |   |   |       |    |      |       |   |   |   |   |       |    |      |       |   |   |   |   |       |    |      |       |   |   |   |   |       |    |      |       |       |   |   |   |       |    |      |       |       |   |   |   |       |    |      |       |       |   |   |   |       |    |      |       |       |   |   |   |       |    |      |       |       |   |   |   |       |    |      |       |       |   |   |   |       |    |      |       |       |   |   |   |       |    |      |       |       |   |   |   |       |    |      |      |       |       |   |   |       |     |      |      |       |       |   |   |       |     |   |   |       |       |   |   |       |     |   |   |       |       |   |   |       |     |   |   |       |       |   |   |       |     |   |   |      |       |   |   |       |     |   |   |   |       |   |   |       |     |   |   |   |       |       |   |       |     |   |   |   |       |       |   |       |     |   |   |   |       |       |   |       |     |   |   |   |      |       |   |      |     |   |   |   |   |       |   |      |     |   |   |   |   |      |   |      |     |   |   |   |   |      |   |      |     |   |   |   |   |      |      |      |     |   |   |   |   |   |      |      |     |   |   |   |   |   |      |      |     |   |   |   |   |   |      |      |     |   |   |   |   |   |      |      |     |   |   |   |   |   |   |      |     |   |   |   |   |   |   |      |
|   | 0 t   |         | 0 t - 640 t |        |       |             |       |      |  |     |  |   |      |  |  |  |  |  |      |     |  |             |  |  |  |  |     |     |     |     |     |     |   |    |   |        |   |   |   |   |   |    |   |        |   |   |   |   |   |    |       |        |   |   |   |   |       |    |      |       |   |   |   |   |       |    |      |       |   |   |   |   |       |    |      |       |   |   |   |   |       |    |      |       |   |   |   |   |       |    |      |       |   |   |   |   |       |    |      |       |   |   |   |   |       |    |      |       |       |   |   |   |       |    |      |       |       |   |   |   |       |    |      |       |       |   |   |   |       |    |      |       |       |   |   |   |       |    |      |       |       |   |   |   |       |    |      |       |       |   |   |   |       |    |      |       |       |   |   |   |       |    |      |       |       |   |   |   |       |    |      |      |       |       |   |   |       |     |      |      |       |       |   |   |       |     |   |   |       |       |   |   |       |     |   |   |       |       |   |   |       |     |   |   |       |       |   |   |       |     |   |   |      |       |   |   |       |     |   |   |   |       |   |   |       |     |   |   |   |       |       |   |       |     |   |   |   |       |       |   |       |     |   |   |   |       |       |   |       |     |   |   |   |      |       |   |      |     |   |   |   |   |       |   |      |     |   |   |   |   |      |   |      |     |   |   |   |   |      |   |      |     |   |   |   |   |      |      |      |     |   |   |   |   |   |      |      |     |   |   |   |   |   |      |      |     |   |   |   |   |   |      |      |     |   |   |   |   |   |      |      |     |   |   |   |   |   |   |      |     |   |   |   |   |   |   |      |
|   | 85°   | 85°     | 75°         | 65°    | 55°   | 45°         | t     |      |  |     |  |   |      |  |  |  |  |  |      |     |  |             |  |  |  |  |     |     |     |     |     |     |   |    |   |        |   |   |   |   |   |    |   |        |   |   |   |   |   |    |       |        |   |   |   |   |       |    |      |       |   |   |   |   |       |    |      |       |   |   |   |   |       |    |      |       |   |   |   |   |       |    |      |       |   |   |   |   |       |    |      |       |   |   |   |   |       |    |      |       |   |   |   |   |       |    |      |       |       |   |   |   |       |    |      |       |       |   |   |   |       |    |      |       |       |   |   |   |       |    |      |       |       |   |   |   |       |    |      |       |       |   |   |   |       |    |      |       |       |   |   |   |       |    |      |       |       |   |   |   |       |    |      |       |       |   |   |   |       |    |      |      |       |       |   |   |       |     |      |      |       |       |   |   |       |     |   |   |       |       |   |   |       |     |   |   |       |       |   |   |       |     |   |   |       |       |   |   |       |     |   |   |      |       |   |   |       |     |   |   |   |       |   |   |       |     |   |   |   |       |       |   |       |     |   |   |   |       |       |   |       |     |   |   |   |       |       |   |       |     |   |   |   |      |       |   |      |     |   |   |   |   |       |   |      |     |   |   |   |   |      |   |      |     |   |   |   |   |      |   |      |     |   |   |   |   |      |      |      |     |   |   |   |   |   |      |      |     |   |   |   |   |   |      |      |     |   |   |   |   |   |      |      |     |   |   |   |   |   |      |      |     |   |   |   |   |   |   |      |     |   |   |   |   |   |   |      |
| 34  | -     | 195,0*  | -           | -      | -     | -           | -     |      |  |     |  |   |      |  |  |  |  |  |      |     |  |             |  |  |  |  |     |     |     |     |     |     |   |    |   |        |   |   |   |   |   |    |   |        |   |   |   |   |   |    |       |        |   |   |   |   |       |    |      |       |   |   |   |   |       |    |      |       |   |   |   |   |       |    |      |       |   |   |   |   |       |    |      |       |   |   |   |   |       |    |      |       |   |   |   |   |       |    |      |       |   |   |   |   |       |    |      |       |       |   |   |   |       |    |      |       |       |   |   |   |       |    |      |       |       |   |   |   |       |    |      |       |       |   |   |   |       |    |      |       |       |   |   |   |       |    |      |       |       |   |   |   |       |    |      |       |       |   |   |   |       |    |      |       |       |   |   |   |       |    |      |      |       |       |   |   |       |     |      |      |       |       |   |   |       |     |   |   |       |       |   |   |       |     |   |   |       |       |   |   |       |     |   |   |       |       |   |   |       |     |   |   |      |       |   |   |       |     |   |   |   |       |   |   |       |     |   |   |   |       |       |   |       |     |   |   |   |       |       |   |       |     |   |   |   |       |       |   |       |     |   |   |   |      |       |   |      |     |   |   |   |   |       |   |      |     |   |   |   |   |      |   |      |     |   |   |   |   |      |   |      |     |   |   |   |   |      |      |      |     |   |   |   |   |   |      |      |     |   |   |   |   |   |      |      |     |   |   |   |   |   |      |      |     |   |   |   |   |   |      |      |     |   |   |   |   |   |   |      |     |   |   |   |   |   |   |      |
| 38  | -     | 190,0*  | -           | -      | -     | -           | -     |      |  |     |  |   |      |  |  |  |  |  |      |     |  |             |  |  |  |  |     |     |     |     |     |     |   |    |   |        |   |   |   |   |   |    |   |        |   |   |   |   |   |    |       |        |   |   |   |   |       |    |      |       |   |   |   |   |       |    |      |       |   |   |   |   |       |    |      |       |   |   |   |   |       |    |      |       |   |   |   |   |       |    |      |       |   |   |   |   |       |    |      |       |   |   |   |   |       |    |      |       |       |   |   |   |       |    |      |       |       |   |   |   |       |    |      |       |       |   |   |   |       |    |      |       |       |   |   |   |       |    |      |       |       |   |   |   |       |    |      |       |       |   |   |   |       |    |      |       |       |   |   |   |       |    |      |       |       |   |   |   |       |    |      |      |       |       |   |   |       |     |      |      |       |       |   |   |       |     |   |   |       |       |   |   |       |     |   |   |       |       |   |   |       |     |   |   |       |       |   |   |       |     |   |   |      |       |   |   |       |     |   |   |   |       |   |   |       |     |   |   |   |       |       |   |       |     |   |   |   |       |       |   |       |     |   |   |   |       |       |   |       |     |   |   |   |      |       |   |      |     |   |   |   |   |       |   |      |     |   |   |   |   |      |   |      |     |   |   |   |   |      |   |      |     |   |   |   |   |      |      |      |     |   |   |   |   |   |      |      |     |   |   |   |   |   |      |      |     |   |   |   |   |   |      |      |     |   |   |   |   |   |      |      |     |   |   |   |   |   |   |      |     |   |   |   |   |   |   |      |
| 42  | 101,0 | 202,0   | -           | -      | -     | -           | 198,0 |      |  |     |  |   |      |  |  |  |  |  |      |     |  |             |  |  |  |  |     |     |     |     |     |     |   |    |   |        |   |   |   |   |   |    |   |        |   |   |   |   |   |    |       |        |   |   |   |   |       |    |      |       |   |   |   |   |       |    |      |       |   |   |   |   |       |    |      |       |   |   |   |   |       |    |      |       |   |   |   |   |       |    |      |       |   |   |   |   |       |    |      |       |   |   |   |   |       |    |      |       |       |   |   |   |       |    |      |       |       |   |   |   |       |    |      |       |       |   |   |   |       |    |      |       |       |   |   |   |       |    |      |       |       |   |   |   |       |    |      |       |       |   |   |   |       |    |      |       |       |   |   |   |       |    |      |       |       |   |   |   |       |    |      |      |       |       |   |   |       |     |      |      |       |       |   |   |       |     |   |   |       |       |   |   |       |     |   |   |       |       |   |   |       |     |   |   |       |       |   |   |       |     |   |   |      |       |   |   |       |     |   |   |   |       |   |   |       |     |   |   |   |       |       |   |       |     |   |   |   |       |       |   |       |     |   |   |   |       |       |   |       |     |   |   |   |      |       |   |      |     |   |   |   |   |       |   |      |     |   |   |   |   |      |   |      |     |   |   |   |   |      |   |      |     |   |   |   |   |      |      |      |     |   |   |   |   |   |      |      |     |   |   |   |   |   |      |      |     |   |   |   |   |   |      |      |     |   |   |   |   |   |      |      |     |   |   |   |   |   |   |      |     |   |   |   |   |   |   |      |
| 46  | 89,5  | 199,0   | -           | -      | -     | -           | 198,0 |      |  |     |  |   |      |  |  |  |  |  |      |     |  |             |  |  |  |  |     |     |     |     |     |     |   |    |   |        |   |   |   |   |   |    |   |        |   |   |   |   |   |    |       |        |   |   |   |   |       |    |      |       |   |   |   |   |       |    |      |       |   |   |   |   |       |    |      |       |   |   |   |   |       |    |      |       |   |   |   |   |       |    |      |       |   |   |   |   |       |    |      |       |   |   |   |   |       |    |      |       |       |   |   |   |       |    |      |       |       |   |   |   |       |    |      |       |       |   |   |   |       |    |      |       |       |   |   |   |       |    |      |       |       |   |   |   |       |    |      |       |       |   |   |   |       |    |      |       |       |   |   |   |       |    |      |       |       |   |   |   |       |    |      |      |       |       |   |   |       |     |      |      |       |       |   |   |       |     |   |   |       |       |   |   |       |     |   |   |       |       |   |   |       |     |   |   |       |       |   |   |       |     |   |   |      |       |   |   |       |     |   |   |   |       |   |   |       |     |   |   |   |       |       |   |       |     |   |   |   |       |       |   |       |     |   |   |   |       |       |   |       |     |   |   |   |      |       |   |      |     |   |   |   |   |       |   |      |     |   |   |   |   |      |   |      |     |   |   |   |   |      |   |      |     |   |   |   |   |      |      |      |     |   |   |   |   |   |      |      |     |   |   |   |   |   |      |      |     |   |   |   |   |   |      |      |     |   |   |   |   |   |      |      |     |   |   |   |   |   |   |      |     |   |   |   |   |   |   |      |
| 50  | 79,5  | 195,0   | -           | -      | -     | -           | 198,0 |      |  |     |  |   |      |  |  |  |  |  |      |     |  |             |  |  |  |  |     |     |     |     |     |     |   |    |   |        |   |   |   |   |   |    |   |        |   |   |   |   |   |    |       |        |   |   |   |   |       |    |      |       |   |   |   |   |       |    |      |       |   |   |   |   |       |    |      |       |   |   |   |   |       |    |      |       |   |   |   |   |       |    |      |       |   |   |   |   |       |    |      |       |   |   |   |   |       |    |      |       |       |   |   |   |       |    |      |       |       |   |   |   |       |    |      |       |       |   |   |   |       |    |      |       |       |   |   |   |       |    |      |       |       |   |   |   |       |    |      |       |       |   |   |   |       |    |      |       |       |   |   |   |       |    |      |       |       |   |   |   |       |    |      |      |       |       |   |   |       |     |      |      |       |       |   |   |       |     |   |   |       |       |   |   |       |     |   |   |       |       |   |   |       |     |   |   |       |       |   |   |       |     |   |   |      |       |   |   |       |     |   |   |   |       |   |   |       |     |   |   |   |       |       |   |       |     |   |   |   |       |       |   |       |     |   |   |   |       |       |   |       |     |   |   |   |      |       |   |      |     |   |   |   |   |       |   |      |     |   |   |   |   |      |   |      |     |   |   |   |   |      |   |      |     |   |   |   |   |      |      |      |     |   |   |   |   |   |      |      |     |   |   |   |   |   |      |      |     |   |   |   |   |   |      |      |     |   |   |   |   |   |      |      |     |   |   |   |   |   |   |      |     |   |   |   |   |   |   |      |
| 54  | 71,0  | 192,0   | -           | -      | -     | -           | 198,0 |      |  |     |  |   |      |  |  |  |  |  |      |     |  |             |  |  |  |  |     |     |     |     |     |     |   |    |   |        |   |   |   |   |   |    |   |        |   |   |   |   |   |    |       |        |   |   |   |   |       |    |      |       |   |   |   |   |       |    |      |       |   |   |   |   |       |    |      |       |   |   |   |   |       |    |      |       |   |   |   |   |       |    |      |       |   |   |   |   |       |    |      |       |   |   |   |   |       |    |      |       |       |   |   |   |       |    |      |       |       |   |   |   |       |    |      |       |       |   |   |   |       |    |      |       |       |   |   |   |       |    |      |       |       |   |   |   |       |    |      |       |       |   |   |   |       |    |      |       |       |   |   |   |       |    |      |       |       |   |   |   |       |    |      |      |       |       |   |   |       |     |      |      |       |       |   |   |       |     |   |   |       |       |   |   |       |     |   |   |       |       |   |   |       |     |   |   |       |       |   |   |       |     |   |   |      |       |   |   |       |     |   |   |   |       |   |   |       |     |   |   |   |       |       |   |       |     |   |   |   |       |       |   |       |     |   |   |   |       |       |   |       |     |   |   |   |      |       |   |      |     |   |   |   |   |       |   |      |     |   |   |   |   |      |   |      |     |   |   |   |   |      |   |      |     |   |   |   |   |      |      |      |     |   |   |   |   |   |      |      |     |   |   |   |   |   |      |      |     |   |   |   |   |   |      |      |     |   |   |   |   |   |      |      |     |   |   |   |   |   |   |      |     |   |   |   |   |   |   |      |
| 58  | 63,5  | 188,0   | -           | -      | -     | -           | 198,0 |      |  |     |  |   |      |  |  |  |  |  |      |     |  |             |  |  |  |  |     |     |     |     |     |     |   |    |   |        |   |   |   |   |   |    |   |        |   |   |   |   |   |    |       |        |   |   |   |   |       |    |      |       |   |   |   |   |       |    |      |       |   |   |   |   |       |    |      |       |   |   |   |   |       |    |      |       |   |   |   |   |       |    |      |       |   |   |   |   |       |    |      |       |   |   |   |   |       |    |      |       |       |   |   |   |       |    |      |       |       |   |   |   |       |    |      |       |       |   |   |   |       |    |      |       |       |   |   |   |       |    |      |       |       |   |   |   |       |    |      |       |       |   |   |   |       |    |      |       |       |   |   |   |       |    |      |       |       |   |   |   |       |    |      |      |       |       |   |   |       |     |      |      |       |       |   |   |       |     |   |   |       |       |   |   |       |     |   |   |       |       |   |   |       |     |   |   |       |       |   |   |       |     |   |   |      |       |   |   |       |     |   |   |   |       |   |   |       |     |   |   |   |       |       |   |       |     |   |   |   |       |       |   |       |     |   |   |   |       |       |   |       |     |   |   |   |      |       |   |      |     |   |   |   |   |       |   |      |     |   |   |   |   |      |   |      |     |   |   |   |   |      |   |      |     |   |   |   |   |      |      |      |     |   |   |   |   |   |      |      |     |   |   |   |   |   |      |      |     |   |   |   |   |   |      |      |     |   |   |   |   |   |      |      |     |   |   |   |   |   |   |      |     |   |   |   |   |   |   |      |
| 62  | 57,0  | 184,0   | -           | -      | -     | -           | 197,0 |      |  |     |  |   |      |  |  |  |  |  |      |     |  |             |  |  |  |  |     |     |     |     |     |     |   |    |   |        |   |   |   |   |   |    |   |        |   |   |   |   |   |    |       |        |   |   |   |   |       |    |      |       |   |   |   |   |       |    |      |       |   |   |   |   |       |    |      |       |   |   |   |   |       |    |      |       |   |   |   |   |       |    |      |       |   |   |   |   |       |    |      |       |   |   |   |   |       |    |      |       |       |   |   |   |       |    |      |       |       |   |   |   |       |    |      |       |       |   |   |   |       |    |      |       |       |   |   |   |       |    |      |       |       |   |   |   |       |    |      |       |       |   |   |   |       |    |      |       |       |   |   |   |       |    |      |       |       |   |   |   |       |    |      |      |       |       |   |   |       |     |      |      |       |       |   |   |       |     |   |   |       |       |   |   |       |     |   |   |       |       |   |   |       |     |   |   |       |       |   |   |       |     |   |   |      |       |   |   |       |     |   |   |   |       |   |   |       |     |   |   |   |       |       |   |       |     |   |   |   |       |       |   |       |     |   |   |   |       |       |   |       |     |   |   |   |      |       |   |      |     |   |   |   |   |       |   |      |     |   |   |   |   |      |   |      |     |   |   |   |   |      |   |      |     |   |   |   |   |      |      |      |     |   |   |   |   |   |      |      |     |   |   |   |   |   |      |      |     |   |   |   |   |   |      |      |     |   |   |   |   |   |      |      |     |   |   |   |   |   |   |      |     |   |   |   |   |   |   |      |
| 66  | 51,0  | 180,0   | -           | -      | -     | -           | 194,0 |      |  |     |  |   |      |  |  |  |  |  |      |     |  |             |  |  |  |  |     |     |     |     |     |     |   |    |   |        |   |   |   |   |   |    |   |        |   |   |   |   |   |    |       |        |   |   |   |   |       |    |      |       |   |   |   |   |       |    |      |       |   |   |   |   |       |    |      |       |   |   |   |   |       |    |      |       |   |   |   |   |       |    |      |       |   |   |   |   |       |    |      |       |   |   |   |   |       |    |      |       |       |   |   |   |       |    |      |       |       |   |   |   |       |    |      |       |       |   |   |   |       |    |      |       |       |   |   |   |       |    |      |       |       |   |   |   |       |    |      |       |       |   |   |   |       |    |      |       |       |   |   |   |       |    |      |       |       |   |   |   |       |    |      |      |       |       |   |   |       |     |      |      |       |       |   |   |       |     |   |   |       |       |   |   |       |     |   |   |       |       |   |   |       |     |   |   |       |       |   |   |       |     |   |   |      |       |   |   |       |     |   |   |   |       |   |   |       |     |   |   |   |       |       |   |       |     |   |   |   |       |       |   |       |     |   |   |   |       |       |   |       |     |   |   |   |      |       |   |      |     |   |   |   |   |       |   |      |     |   |   |   |   |      |   |      |     |   |   |   |   |      |   |      |     |   |   |   |   |      |      |      |     |   |   |   |   |   |      |      |     |   |   |   |   |   |      |      |     |   |   |   |   |   |      |      |     |   |   |   |   |   |      |      |     |   |   |   |   |   |   |      |     |   |   |   |   |   |   |      |
| 68  | 48,5  | 179,0   | 202,0       | -      | -     | -           | 192,0 |      |  |     |  |   |      |  |  |  |  |  |      |     |  |             |  |  |  |  |     |     |     |     |     |     |   |    |   |        |   |   |   |   |   |    |   |        |   |   |   |   |   |    |       |        |   |   |   |   |       |    |      |       |   |   |   |   |       |    |      |       |   |   |   |   |       |    |      |       |   |   |   |   |       |    |      |       |   |   |   |   |       |    |      |       |   |   |   |   |       |    |      |       |   |   |   |   |       |    |      |       |       |   |   |   |       |    |      |       |       |   |   |   |       |    |      |       |       |   |   |   |       |    |      |       |       |   |   |   |       |    |      |       |       |   |   |   |       |    |      |       |       |   |   |   |       |    |      |       |       |   |   |   |       |    |      |       |       |   |   |   |       |    |      |      |       |       |   |   |       |     |      |      |       |       |   |   |       |     |   |   |       |       |   |   |       |     |   |   |       |       |   |   |       |     |   |   |       |       |   |   |       |     |   |   |      |       |   |   |       |     |   |   |   |       |   |   |       |     |   |   |   |       |       |   |       |     |   |   |   |       |       |   |       |     |   |   |   |       |       |   |       |     |   |   |   |      |       |   |      |     |   |   |   |   |       |   |      |     |   |   |   |   |      |   |      |     |   |   |   |   |      |   |      |     |   |   |   |   |      |      |      |     |   |   |   |   |   |      |      |     |   |   |   |   |   |      |      |     |   |   |   |   |   |      |      |     |   |   |   |   |   |      |      |     |   |   |   |   |   |   |      |     |   |   |   |   |   |   |      |
| 70  | 45,8  | 177,0   | 202,0       | -      | -     | -           | 190,0 |      |  |     |  |   |      |  |  |  |  |  |      |     |  |             |  |  |  |  |     |     |     |     |     |     |   |    |   |        |   |   |   |   |   |    |   |        |   |   |   |   |   |    |       |        |   |   |   |   |       |    |      |       |   |   |   |   |       |    |      |       |   |   |   |   |       |    |      |       |   |   |   |   |       |    |      |       |   |   |   |   |       |    |      |       |   |   |   |   |       |    |      |       |   |   |   |   |       |    |      |       |       |   |   |   |       |    |      |       |       |   |   |   |       |    |      |       |       |   |   |   |       |    |      |       |       |   |   |   |       |    |      |       |       |   |   |   |       |    |      |       |       |   |   |   |       |    |      |       |       |   |   |   |       |    |      |       |       |   |   |   |       |    |      |      |       |       |   |   |       |     |      |      |       |       |   |   |       |     |   |   |       |       |   |   |       |     |   |   |       |       |   |   |       |     |   |   |       |       |   |   |       |     |   |   |      |       |   |   |       |     |   |   |   |       |   |   |       |     |   |   |   |       |       |   |       |     |   |   |   |       |       |   |       |     |   |   |   |       |       |   |       |     |   |   |   |      |       |   |      |     |   |   |   |   |       |   |      |     |   |   |   |   |      |   |      |     |   |   |   |   |      |   |      |     |   |   |   |   |      |      |      |     |   |   |   |   |   |      |      |     |   |   |   |   |   |      |      |     |   |   |   |   |   |      |      |     |   |   |   |   |   |      |      |     |   |   |   |   |   |   |      |     |   |   |   |   |   |   |      |
| 74  | 41,1  | 168,0   | 202,0       | -      | -     | -           | 187,0 |      |  |     |  |   |      |  |  |  |  |  |      |     |  |             |  |  |  |  |     |     |     |     |     |     |   |    |   |        |   |   |   |   |   |    |   |        |   |   |   |   |   |    |       |        |   |   |   |   |       |    |      |       |   |   |   |   |       |    |      |       |   |   |   |   |       |    |      |       |   |   |   |   |       |    |      |       |   |   |   |   |       |    |      |       |   |   |   |   |       |    |      |       |   |   |   |   |       |    |      |       |       |   |   |   |       |    |      |       |       |   |   |   |       |    |      |       |       |   |   |   |       |    |      |       |       |   |   |   |       |    |      |       |       |   |   |   |       |    |      |       |       |   |   |   |       |    |      |       |       |   |   |   |       |    |      |       |       |   |   |   |       |    |      |      |       |       |   |   |       |     |      |      |       |       |   |   |       |     |   |   |       |       |   |   |       |     |   |   |       |       |   |   |       |     |   |   |       |       |   |   |       |     |   |   |      |       |   |   |       |     |   |   |   |       |   |   |       |     |   |   |   |       |       |   |       |     |   |   |   |       |       |   |       |     |   |   |   |       |       |   |       |     |   |   |   |      |       |   |      |     |   |   |   |   |       |   |      |     |   |   |   |   |      |   |      |     |   |   |   |   |      |   |      |     |   |   |   |   |      |      |      |     |   |   |   |   |   |      |      |     |   |   |   |   |   |      |      |     |   |   |   |   |   |      |      |     |   |   |   |   |   |      |      |     |   |   |   |   |   |   |      |     |   |   |   |   |   |   |      |
| 78  | 36,7  | 154,0   | 202,0       | -      | -     | -           | 183,0 |      |  |     |  |   |      |  |  |  |  |  |      |     |  |             |  |  |  |  |     |     |     |     |     |     |   |    |   |        |   |   |   |   |   |    |   |        |   |   |   |   |   |    |       |        |   |   |   |   |       |    |      |       |   |   |   |   |       |    |      |       |   |   |   |   |       |    |      |       |   |   |   |   |       |    |      |       |   |   |   |   |       |    |      |       |   |   |   |   |       |    |      |       |   |   |   |   |       |    |      |       |       |   |   |   |       |    |      |       |       |   |   |   |       |    |      |       |       |   |   |   |       |    |      |       |       |   |   |   |       |    |      |       |       |   |   |   |       |    |      |       |       |   |   |   |       |    |      |       |       |   |   |   |       |    |      |       |       |   |   |   |       |    |      |      |       |       |   |   |       |     |      |      |       |       |   |   |       |     |   |   |       |       |   |   |       |     |   |   |       |       |   |   |       |     |   |   |       |       |   |   |       |     |   |   |      |       |   |   |       |     |   |   |   |       |   |   |       |     |   |   |   |       |       |   |       |     |   |   |   |       |       |   |       |     |   |   |   |       |       |   |       |     |   |   |   |      |       |   |      |     |   |   |   |   |       |   |      |     |   |   |   |   |      |   |      |     |   |   |   |   |      |   |      |     |   |   |   |   |      |      |      |     |   |   |   |   |   |      |      |     |   |   |   |   |   |      |      |     |   |   |   |   |   |      |      |     |   |   |   |   |   |      |      |     |   |   |   |   |   |   |      |     |   |   |   |   |   |   |      |
| 82  | 32,4  | 139,5   | 190,0       | -      | -     | -           | 178,0 |      |  |     |  |   |      |  |  |  |  |  |      |     |  |             |  |  |  |  |     |     |     |     |     |     |   |    |   |        |   |   |   |   |   |    |   |        |   |   |   |   |   |    |       |        |   |   |   |   |       |    |      |       |   |   |   |   |       |    |      |       |   |   |   |   |       |    |      |       |   |   |   |   |       |    |      |       |   |   |   |   |       |    |      |       |   |   |   |   |       |    |      |       |   |   |   |   |       |    |      |       |       |   |   |   |       |    |      |       |       |   |   |   |       |    |      |       |       |   |   |   |       |    |      |       |       |   |   |   |       |    |      |       |       |   |   |   |       |    |      |       |       |   |   |   |       |    |      |       |       |   |   |   |       |    |      |       |       |   |   |   |       |    |      |      |       |       |   |   |       |     |      |      |       |       |   |   |       |     |   |   |       |       |   |   |       |     |   |   |       |       |   |   |       |     |   |   |       |       |   |   |       |     |   |   |      |       |   |   |       |     |   |   |   |       |   |   |       |     |   |   |   |       |       |   |       |     |   |   |   |       |       |   |       |     |   |   |   |       |       |   |       |     |   |   |   |      |       |   |      |     |   |   |   |   |       |   |      |     |   |   |   |   |      |   |      |     |   |   |   |   |      |   |      |     |   |   |   |   |      |      |      |     |   |   |   |   |   |      |      |     |   |   |   |   |   |      |      |     |   |   |   |   |   |      |      |     |   |   |   |   |   |      |      |     |   |   |   |   |   |   |      |     |   |   |   |   |   |   |      |
| 86  | 28,3  | 123,0   | 174,0       | -      | -     | -           | 174,0 |      |  |     |  |   |      |  |  |  |  |  |      |     |  |             |  |  |  |  |     |     |     |     |     |     |   |    |   |        |   |   |   |   |   |    |   |        |   |   |   |   |   |    |       |        |   |   |   |   |       |    |      |       |   |   |   |   |       |    |      |       |   |   |   |   |       |    |      |       |   |   |   |   |       |    |      |       |   |   |   |   |       |    |      |       |   |   |   |   |       |    |      |       |   |   |   |   |       |    |      |       |       |   |   |   |       |    |      |       |       |   |   |   |       |    |      |       |       |   |   |   |       |    |      |       |       |   |   |   |       |    |      |       |       |   |   |   |       |    |      |       |       |   |   |   |       |    |      |       |       |   |   |   |       |    |      |       |       |   |   |   |       |    |      |      |       |       |   |   |       |     |      |      |       |       |   |   |       |     |   |   |       |       |   |   |       |     |   |   |       |       |   |   |       |     |   |   |       |       |   |   |       |     |   |   |      |       |   |   |       |     |   |   |   |       |   |   |       |     |   |   |   |       |       |   |       |     |   |   |   |       |       |   |       |     |   |   |   |       |       |   |       |     |   |   |   |      |       |   |      |     |   |   |   |   |       |   |      |     |   |   |   |   |      |   |      |     |   |   |   |   |      |   |      |     |   |   |   |   |      |      |      |     |   |   |   |   |   |      |      |     |   |   |   |   |   |      |      |     |   |   |   |   |   |      |      |     |   |   |   |   |   |      |      |     |   |   |   |   |   |   |      |     |   |   |   |   |   |   |      |
| 88  | 26,4  | 115,0   | 166,0       | -      | -     | -           | 172,0 |      |  |     |  |   |      |  |  |  |  |  |      |     |  |             |  |  |  |  |     |     |     |     |     |     |   |    |   |        |   |   |   |   |   |    |   |        |   |   |   |   |   |    |       |        |   |   |   |   |       |    |      |       |   |   |   |   |       |    |      |       |   |   |   |   |       |    |      |       |   |   |   |   |       |    |      |       |   |   |   |   |       |    |      |       |   |   |   |   |       |    |      |       |   |   |   |   |       |    |      |       |       |   |   |   |       |    |      |       |       |   |   |   |       |    |      |       |       |   |   |   |       |    |      |       |       |   |   |   |       |    |      |       |       |   |   |   |       |    |      |       |       |   |   |   |       |    |      |       |       |   |   |   |       |    |      |       |       |   |   |   |       |    |      |      |       |       |   |   |       |     |      |      |       |       |   |   |       |     |   |   |       |       |   |   |       |     |   |   |       |       |   |   |       |     |   |   |       |       |   |   |       |     |   |   |      |       |   |   |       |     |   |   |   |       |   |   |       |     |   |   |   |       |       |   |       |     |   |   |   |       |       |   |       |     |   |   |   |       |       |   |       |     |   |   |   |      |       |   |      |     |   |   |   |   |       |   |      |     |   |   |   |   |      |   |      |     |   |   |   |   |      |   |      |     |   |   |   |   |      |      |      |     |   |   |   |   |   |      |      |     |   |   |   |   |   |      |      |     |   |   |   |   |   |      |      |     |   |   |   |   |   |      |      |     |   |   |   |   |   |   |      |     |   |   |   |   |   |   |      |
| 90  | -     | -       | 159,0       | -      | -     | -           | 170,0 |      |  |     |  |   |      |  |  |  |  |  |      |     |  |             |  |  |  |  |     |     |     |     |     |     |   |    |   |        |   |   |   |   |   |    |   |        |   |   |   |   |   |    |       |        |   |   |   |   |       |    |      |       |   |   |   |   |       |    |      |       |   |   |   |   |       |    |      |       |   |   |   |   |       |    |      |       |   |   |   |   |       |    |      |       |   |   |   |   |       |    |      |       |   |   |   |   |       |    |      |       |       |   |   |   |       |    |      |       |       |   |   |   |       |    |      |       |       |   |   |   |       |    |      |       |       |   |   |   |       |    |      |       |       |   |   |   |       |    |      |       |       |   |   |   |       |    |      |       |       |   |   |   |       |    |      |       |       |   |   |   |       |    |      |      |       |       |   |   |       |     |      |      |       |       |   |   |       |     |   |   |       |       |   |   |       |     |   |   |       |       |   |   |       |     |   |   |       |       |   |   |       |     |   |   |      |       |   |   |       |     |   |   |   |       |   |   |       |     |   |   |   |       |       |   |       |     |   |   |   |       |       |   |       |     |   |   |   |       |       |   |       |     |   |   |   |      |       |   |      |     |   |   |   |   |       |   |      |     |   |   |   |   |      |   |      |     |   |   |   |   |      |   |      |     |   |   |   |   |      |      |      |     |   |   |   |   |   |      |      |     |   |   |   |   |   |      |      |     |   |   |   |   |   |      |      |     |   |   |   |   |   |      |      |     |   |   |   |   |   |   |      |     |   |   |   |   |   |   |      |
| 92  | -     | -       | 153,0       | 173,0  | -     | -           | 167,5 |      |  |     |  |   |      |  |  |  |  |  |      |     |  |             |  |  |  |  |     |     |     |     |     |     |   |    |   |        |   |   |   |   |   |    |   |        |   |   |   |   |   |    |       |        |   |   |   |   |       |    |      |       |   |   |   |   |       |    |      |       |   |   |   |   |       |    |      |       |   |   |   |   |       |    |      |       |   |   |   |   |       |    |      |       |   |   |   |   |       |    |      |       |   |   |   |   |       |    |      |       |       |   |   |   |       |    |      |       |       |   |   |   |       |    |      |       |       |   |   |   |       |    |      |       |       |   |   |   |       |    |      |       |       |   |   |   |       |    |      |       |       |   |   |   |       |    |      |       |       |   |   |   |       |    |      |       |       |   |   |   |       |    |      |      |       |       |   |   |       |     |      |      |       |       |   |   |       |     |   |   |       |       |   |   |       |     |   |   |       |       |   |   |       |     |   |   |       |       |   |   |       |     |   |   |      |       |   |   |       |     |   |   |   |       |   |   |       |     |   |   |   |       |       |   |       |     |   |   |   |       |       |   |       |     |   |   |   |       |       |   |       |     |   |   |   |      |       |   |      |     |   |   |   |   |       |   |      |     |   |   |   |   |      |   |      |     |   |   |   |   |      |   |      |     |   |   |   |   |      |      |      |     |   |   |   |   |   |      |      |     |   |   |   |   |   |      |      |     |   |   |   |   |   |      |      |     |   |   |   |   |   |      |      |     |   |   |   |   |   |   |      |     |   |   |   |   |   |   |      |
| 94  | -     | -       | 147,0       | 168,0  | -     | -           | 165,0 |      |  |     |  |   |      |  |  |  |  |  |      |     |  |             |  |  |  |  |     |     |     |     |     |     |   |    |   |        |   |   |   |   |   |    |   |        |   |   |   |   |   |    |       |        |   |   |   |   |       |    |      |       |   |   |   |   |       |    |      |       |   |   |   |   |       |    |      |       |   |   |   |   |       |    |      |       |   |   |   |   |       |    |      |       |   |   |   |   |       |    |      |       |   |   |   |   |       |    |      |       |       |   |   |   |       |    |      |       |       |   |   |   |       |    |      |       |       |   |   |   |       |    |      |       |       |   |   |   |       |    |      |       |       |   |   |   |       |    |      |       |       |   |   |   |       |    |      |       |       |   |   |   |       |    |      |       |       |   |   |   |       |    |      |      |       |       |   |   |       |     |      |      |       |       |   |   |       |     |   |   |       |       |   |   |       |     |   |   |       |       |   |   |       |     |   |   |       |       |   |   |       |     |   |   |      |       |   |   |       |     |   |   |   |       |   |   |       |     |   |   |   |       |       |   |       |     |   |   |   |       |       |   |       |     |   |   |   |       |       |   |       |     |   |   |   |      |       |   |      |     |   |   |   |   |       |   |      |     |   |   |   |   |      |   |      |     |   |   |   |   |      |   |      |     |   |   |   |   |      |      |      |     |   |   |   |   |   |      |      |     |   |   |   |   |   |      |      |     |   |   |   |   |   |      |      |     |   |   |   |   |   |      |      |     |   |   |   |   |   |   |      |     |   |   |   |   |   |   |      |
| 98  | -     | -       | 135,0       | 159,0  | -     | -           | 153,0 |      |  |     |  |   |      |  |  |  |  |  |      |     |  |             |  |  |  |  |     |     |     |     |     |     |   |    |   |        |   |   |   |   |   |    |   |        |   |   |   |   |   |    |       |        |   |   |   |   |       |    |      |       |   |   |   |   |       |    |      |       |   |   |   |   |       |    |      |       |   |   |   |   |       |    |      |       |   |   |   |   |       |    |      |       |   |   |   |   |       |    |      |       |   |   |   |   |       |    |      |       |       |   |   |   |       |    |      |       |       |   |   |   |       |    |      |       |       |   |   |   |       |    |      |       |       |   |   |   |       |    |      |       |       |   |   |   |       |    |      |       |       |   |   |   |       |    |      |       |       |   |   |   |       |    |      |       |       |   |   |   |       |    |      |      |       |       |   |   |       |     |      |      |       |       |   |   |       |     |   |   |       |       |   |   |       |     |   |   |       |       |   |   |       |     |   |   |       |       |   |   |       |     |   |   |      |       |   |   |       |     |   |   |   |       |   |   |       |     |   |   |   |       |       |   |       |     |   |   |   |       |       |   |       |     |   |   |   |       |       |   |       |     |   |   |   |      |       |   |      |     |   |   |   |   |       |   |      |     |   |   |   |   |      |   |      |     |   |   |   |   |      |   |      |     |   |   |   |   |      |      |      |     |   |   |   |   |   |      |      |     |   |   |   |   |   |      |      |     |   |   |   |   |   |      |      |     |   |   |   |   |   |      |      |     |   |   |   |   |   |   |      |     |   |   |   |   |   |   |      |
| 102   | -     | -       | 122,0       | 151,0  | -     | -           | 142,0 |      |  |     |  |   |      |  |  |  |  |  |      |     |  |             |  |  |  |  |     |     |     |     |     |     |   |    |   |        |   |   |   |   |   |    |   |        |   |   |   |   |   |    |       |        |   |   |   |   |       |    |      |       |   |   |   |   |       |    |      |       |   |   |   |   |       |    |      |       |   |   |   |   |       |    |      |       |   |   |   |   |       |    |      |       |   |   |   |   |       |    |      |       |   |   |   |   |       |    |      |       |       |   |   |   |       |    |      |       |       |   |   |   |       |    |      |       |       |   |   |   |       |    |      |       |       |   |   |   |       |    |      |       |       |   |   |   |       |    |      |       |       |   |   |   |       |    |      |       |       |   |   |   |       |    |      |       |       |   |   |   |       |    |      |      |       |       |   |   |       |     |      |      |       |       |   |   |       |     |   |   |       |       |   |   |       |     |   |   |       |       |   |   |       |     |   |   |       |       |   |   |       |     |   |   |      |       |   |   |       |     |   |   |   |       |   |   |       |     |   |   |   |       |       |   |       |     |   |   |   |       |       |   |       |     |   |   |   |       |       |   |       |     |   |   |   |      |       |   |      |     |   |   |   |   |       |   |      |     |   |   |   |   |      |   |      |     |   |   |   |   |      |   |      |     |   |   |   |   |      |      |      |     |   |   |   |   |   |      |      |     |   |   |   |   |   |      |      |     |   |   |   |   |   |      |      |     |   |   |   |   |   |      |      |     |   |   |   |   |   |   |      |     |   |   |   |   |   |   |      |
| 104   | -     | -       | 114,0       | 147,0  | -     | -           | 137,0 |      |  |     |  |   |      |  |  |  |  |  |      |     |  |             |  |  |  |  |     |     |     |     |     |     |   |    |   |        |   |   |   |   |   |    |   |        |   |   |   |   |   |    |       |        |   |   |   |   |       |    |      |       |   |   |   |   |       |    |      |       |   |   |   |   |       |    |      |       |   |   |   |   |       |    |      |       |   |   |   |   |       |    |      |       |   |   |   |   |       |    |      |       |   |   |   |   |       |    |      |       |       |   |   |   |       |    |      |       |       |   |   |   |       |    |      |       |       |   |   |   |       |    |      |       |       |   |   |   |       |    |      |       |       |   |   |   |       |    |      |       |       |   |   |   |       |    |      |       |       |   |   |   |       |    |      |       |       |   |   |   |       |    |      |      |       |       |   |   |       |     |      |      |       |       |   |   |       |     |   |   |       |       |   |   |       |     |   |   |       |       |   |   |       |     |   |   |       |       |   |   |       |     |   |   |      |       |   |   |       |     |   |   |   |       |   |   |       |     |   |   |   |       |       |   |       |     |   |   |   |       |       |   |       |     |   |   |   |       |       |   |       |     |   |   |   |      |       |   |      |     |   |   |   |   |       |   |      |     |   |   |   |   |      |   |      |     |   |   |   |   |      |   |      |     |   |   |   |   |      |      |      |     |   |   |   |   |   |      |      |     |   |   |   |   |   |      |      |     |   |   |   |   |   |      |      |     |   |   |   |   |   |      |      |     |   |   |   |   |   |   |      |     |   |   |   |   |   |   |      |
| 106   | -     | -       | -           | 143,0  | -     | -           | 132,0 |      |  |     |  |   |      |  |  |  |  |  |      |     |  |             |  |  |  |  |     |     |     |     |     |     |   |    |   |        |   |   |   |   |   |    |   |        |   |   |   |   |   |    |       |        |   |   |   |   |       |    |      |       |   |   |   |   |       |    |      |       |   |   |   |   |       |    |      |       |   |   |   |   |       |    |      |       |   |   |   |   |       |    |      |       |   |   |   |   |       |    |      |       |   |   |   |   |       |    |      |       |       |   |   |   |       |    |      |       |       |   |   |   |       |    |      |       |       |   |   |   |       |    |      |       |       |   |   |   |       |    |      |       |       |   |   |   |       |    |      |       |       |   |   |   |       |    |      |       |       |   |   |   |       |    |      |       |       |   |   |   |       |    |      |      |       |       |   |   |       |     |      |      |       |       |   |   |       |     |   |   |       |       |   |   |       |     |   |   |       |       |   |   |       |     |   |   |       |       |   |   |       |     |   |   |      |       |   |   |       |     |   |   |   |       |   |   |       |     |   |   |   |       |       |   |       |     |   |   |   |       |       |   |       |     |   |   |   |       |       |   |       |     |   |   |   |      |       |   |      |     |   |   |   |   |       |   |      |     |   |   |   |   |      |   |      |     |   |   |   |   |      |   |      |     |   |   |   |   |      |      |      |     |   |   |   |   |   |      |      |     |   |   |   |   |   |      |      |     |   |   |   |   |   |      |      |     |   |   |   |   |   |      |      |     |   |   |   |   |   |   |      |     |   |   |   |   |   |   |      |
| 110   | -     | -       | -           | 136,0  | -     | -           | 123,0 |      |  |     |  |   |      |  |  |  |  |  |      |     |  |             |  |  |  |  |     |     |     |     |     |     |   |    |   |        |   |   |   |   |   |    |   |        |   |   |   |   |   |    |       |        |   |   |   |   |       |    |      |       |   |   |   |   |       |    |      |       |   |   |   |   |       |    |      |       |   |   |   |   |       |    |      |       |   |   |   |   |       |    |      |       |   |   |   |   |       |    |      |       |   |   |   |   |       |    |      |       |       |   |   |   |       |    |      |       |       |   |   |   |       |    |      |       |       |   |   |   |       |    |      |       |       |   |   |   |       |    |      |       |       |   |   |   |       |    |      |       |       |   |   |   |       |    |      |       |       |   |   |   |       |    |      |       |       |   |   |   |       |    |      |      |       |       |   |   |       |     |      |      |       |       |   |   |       |     |   |   |       |       |   |   |       |     |   |   |       |       |   |   |       |     |   |   |       |       |   |   |       |     |   |   |      |       |   |   |       |     |   |   |   |       |   |   |       |     |   |   |   |       |       |   |       |     |   |   |   |       |       |   |       |     |   |   |   |       |       |   |       |     |   |   |   |      |       |   |      |     |   |   |   |   |       |   |      |     |   |   |   |   |      |   |      |     |   |   |   |   |      |   |      |     |   |   |   |   |      |      |      |     |   |   |   |   |   |      |      |     |   |   |   |   |   |      |      |     |   |   |   |   |   |      |      |     |   |   |   |   |   |      |      |     |   |   |   |   |   |   |      |     |   |   |   |   |   |   |      |
| 114   | -     | -       | -           | 128,0  | 115,0 | -           | 114,0 |      |  |     |  |   |      |  |  |  |  |  |      |     |  |             |  |  |  |  |     |     |     |     |     |     |   |    |   |        |   |   |   |   |   |    |   |        |   |   |   |   |   |    |       |        |   |   |   |   |       |    |      |       |   |   |   |   |       |    |      |       |   |   |   |   |       |    |      |       |   |   |   |   |       |    |      |       |   |   |   |   |       |    |      |       |   |   |   |   |       |    |      |       |   |   |   |   |       |    |      |       |       |   |   |   |       |    |      |       |       |   |   |   |       |    |      |       |       |   |   |   |       |    |      |       |       |   |   |   |       |    |      |       |       |   |   |   |       |    |      |       |       |   |   |   |       |    |      |       |       |   |   |   |       |    |      |       |       |   |   |   |       |    |      |      |       |       |   |   |       |     |      |      |       |       |   |   |       |     |   |   |       |       |   |   |       |     |   |   |       |       |   |   |       |     |   |   |       |       |   |   |       |     |   |   |      |       |   |   |       |     |   |   |   |       |   |   |       |     |   |   |   |       |       |   |       |     |   |   |   |       |       |   |       |     |   |   |   |       |       |   |       |     |   |   |   |      |       |   |      |     |   |   |   |   |       |   |      |     |   |   |   |   |      |   |      |     |   |   |   |   |      |   |      |     |   |   |   |   |      |      |      |     |   |   |   |   |   |      |      |     |   |   |   |   |   |      |      |     |   |   |   |   |   |      |      |     |   |   |   |   |   |      |      |     |   |   |   |   |   |   |      |     |   |   |   |   |   |   |      |
| 116   | -     | -       | -           | 123,0  | 112,0 | -           | 109,5 |      |  |     |  |   |      |  |  |  |  |  |      |     |  |             |  |  |  |  |     |     |     |     |     |     |   |    |   |        |   |   |   |   |   |    |   |        |   |   |   |   |   |    |       |        |   |   |   |   |       |    |      |       |   |   |   |   |       |    |      |       |   |   |   |   |       |    |      |       |   |   |   |   |       |    |      |       |   |   |   |   |       |    |      |       |   |   |   |   |       |    |      |       |   |   |   |   |       |    |      |       |       |   |   |   |       |    |      |       |       |   |   |   |       |    |      |       |       |   |   |   |       |    |      |       |       |   |   |   |       |    |      |       |       |   |   |   |       |    |      |       |       |   |   |   |       |    |      |       |       |   |   |   |       |    |      |       |       |   |   |   |       |    |      |      |       |       |   |   |       |     |      |      |       |       |   |   |       |     |   |   |       |       |   |   |       |     |   |   |       |       |   |   |       |     |   |   |       |       |   |   |       |     |   |   |      |       |   |   |       |     |   |   |   |       |   |   |       |     |   |   |   |       |       |   |       |     |   |   |   |       |       |   |       |     |   |   |   |       |       |   |       |     |   |   |   |      |       |   |      |     |   |   |   |   |       |   |      |     |   |   |   |   |      |   |      |     |   |   |   |   |      |   |      |     |   |   |   |   |      |      |      |     |   |   |   |   |   |      |      |     |   |   |   |   |   |      |      |     |   |   |   |   |   |      |      |     |   |   |   |   |   |      |      |     |   |   |   |   |   |   |      |     |   |   |   |   |   |   |      |
| 118   | -     | -       | -           | -      | 110,0 | -           | 105,0 |      |  |     |  |   |      |  |  |  |  |  |      |     |  |             |  |  |  |  |     |     |     |     |     |     |   |    |   |        |   |   |   |   |   |    |   |        |   |   |   |   |   |    |       |        |   |   |   |   |       |    |      |       |   |   |   |   |       |    |      |       |   |   |   |   |       |    |      |       |   |   |   |   |       |    |      |       |   |   |   |   |       |    |      |       |   |   |   |   |       |    |      |       |   |   |   |   |       |    |      |       |       |   |   |   |       |    |      |       |       |   |   |   |       |    |      |       |       |   |   |   |       |    |      |       |       |   |   |   |       |    |      |       |       |   |   |   |       |    |      |       |       |   |   |   |       |    |      |       |       |   |   |   |       |    |      |       |       |   |   |   |       |    |      |      |       |       |   |   |       |     |      |      |       |       |   |   |       |     |   |   |       |       |   |   |       |     |   |   |       |       |   |   |       |     |   |   |       |       |   |   |       |     |   |   |      |       |   |   |       |     |   |   |   |       |   |   |       |     |   |   |   |       |       |   |       |     |   |   |   |       |       |   |       |     |   |   |   |       |       |   |       |     |   |   |   |      |       |   |      |     |   |   |   |   |       |   |      |     |   |   |   |   |      |   |      |     |   |   |   |   |      |   |      |     |   |   |   |   |      |      |      |     |   |   |   |   |   |      |      |     |   |   |   |   |   |      |      |     |   |   |   |   |   |      |      |     |   |   |   |   |   |      |      |     |   |   |   |   |   |   |      |     |   |   |   |   |   |   |      |
| 122   | -     | -       | -           | -      | 104,0 | -           | 95,0  |      |  |     |  |   |      |  |  |  |  |  |      |     |  |             |  |  |  |  |     |     |     |     |     |     |   |    |   |        |   |   |   |   |   |    |   |        |   |   |   |   |   |    |       |        |   |   |   |   |       |    |      |       |   |   |   |   |       |    |      |       |   |   |   |   |       |    |      |       |   |   |   |   |       |    |      |       |   |   |   |   |       |    |      |       |   |   |   |   |       |    |      |       |   |   |   |   |       |    |      |       |       |   |   |   |       |    |      |       |       |   |   |   |       |    |      |       |       |   |   |   |       |    |      |       |       |   |   |   |       |    |      |       |       |   |   |   |       |    |      |       |       |   |   |   |       |    |      |       |       |   |   |   |       |    |      |       |       |   |   |   |       |    |      |      |       |       |   |   |       |     |      |      |       |       |   |   |       |     |   |   |       |       |   |   |       |     |   |   |       |       |   |   |       |     |   |   |       |       |   |   |       |     |   |   |      |       |   |   |       |     |   |   |   |       |   |   |       |     |   |   |   |       |       |   |       |     |   |   |   |       |       |   |       |     |   |   |   |       |       |   |       |     |   |   |   |      |       |   |      |     |   |   |   |   |       |   |      |     |   |   |   |   |      |   |      |     |   |   |   |   |      |   |      |     |   |   |   |   |      |      |      |     |   |   |   |   |   |      |      |     |   |   |   |   |   |      |      |     |   |   |   |   |   |      |      |     |   |   |   |   |   |      |      |     |   |   |   |   |   |   |      |     |   |   |   |   |   |   |      |
| 126   | -     | -       | -           | -      | 100,0 | -           | 84,5  |      |  |     |  |   |      |  |  |  |  |  |      |     |  |             |  |  |  |  |     |     |     |     |     |     |   |    |   |        |   |   |   |   |   |    |   |        |   |   |   |   |   |    |       |        |   |   |   |   |       |    |      |       |   |   |   |   |       |    |      |       |   |   |   |   |       |    |      |       |   |   |   |   |       |    |      |       |   |   |   |   |       |    |      |       |   |   |   |   |       |    |      |       |   |   |   |   |       |    |      |       |       |   |   |   |       |    |      |       |       |   |   |   |       |    |      |       |       |   |   |   |       |    |      |       |       |   |   |   |       |    |      |       |       |   |   |   |       |    |      |       |       |   |   |   |       |    |      |       |       |   |   |   |       |    |      |       |       |   |   |   |       |    |      |      |       |       |   |   |       |     |      |      |       |       |   |   |       |     |   |   |       |       |   |   |       |     |   |   |       |       |   |   |       |     |   |   |       |       |   |   |       |     |   |   |      |       |   |   |       |     |   |   |   |       |   |   |       |     |   |   |   |       |       |   |       |     |   |   |   |       |       |   |       |     |   |   |   |       |       |   |       |     |   |   |   |      |       |   |      |     |   |   |   |   |       |   |      |     |   |   |   |   |      |   |      |     |   |   |   |   |      |   |      |     |   |   |   |   |      |      |      |     |   |   |   |   |   |      |      |     |   |   |   |   |   |      |      |     |   |   |   |   |   |      |      |     |   |   |   |   |   |      |      |     |   |   |   |   |   |   |      |     |   |   |   |   |   |   |      |
| 128   | -     | -       | -           | -      | 98,0  | -           | 79,5  |      |  |     |  |   |      |  |  |  |  |  |      |     |  |             |  |  |  |  |     |     |     |     |     |     |   |    |   |        |   |   |   |   |   |    |   |        |   |   |   |   |   |    |       |        |   |   |   |   |       |    |      |       |   |   |   |   |       |    |      |       |   |   |   |   |       |    |      |       |   |   |   |   |       |    |      |       |   |   |   |   |       |    |      |       |   |   |   |   |       |    |      |       |   |   |   |   |       |    |      |       |       |   |   |   |       |    |      |       |       |   |   |   |       |    |      |       |       |   |   |   |       |    |      |       |       |   |   |   |       |    |      |       |       |   |   |   |       |    |      |       |       |   |   |   |       |    |      |       |       |   |   |   |       |    |      |       |       |   |   |   |       |    |      |      |       |       |   |   |       |     |      |      |       |       |   |   |       |     |   |   |       |       |   |   |       |     |   |   |       |       |   |   |       |     |   |   |       |       |   |   |       |     |   |   |      |       |   |   |       |     |   |   |   |       |   |   |       |     |   |   |   |       |       |   |       |     |   |   |   |       |       |   |       |     |   |   |   |       |       |   |       |     |   |   |   |      |       |   |      |     |   |   |   |   |       |   |      |     |   |   |   |   |      |   |      |     |   |   |   |   |      |   |      |     |   |   |   |   |      |      |      |     |   |   |   |   |   |      |      |     |   |   |   |   |   |      |      |     |   |   |   |   |   |      |      |     |   |   |   |   |   |      |      |     |   |   |   |   |   |   |      |     |   |   |   |   |   |   |      |
| 130   | -     | -       | -           | -      | -     | -           | 74,5  |      |  |     |  |   |      |  |  |  |  |  |      |     |  |             |  |  |  |  |     |     |     |     |     |     |   |    |   |        |   |   |   |   |   |    |   |        |   |   |   |   |   |    |       |        |   |   |   |   |       |    |      |       |   |   |   |   |       |    |      |       |   |   |   |   |       |    |      |       |   |   |   |   |       |    |      |       |   |   |   |   |       |    |      |       |   |   |   |   |       |    |      |       |   |   |   |   |       |    |      |       |       |   |   |   |       |    |      |       |       |   |   |   |       |    |      |       |       |   |   |   |       |    |      |       |       |   |   |   |       |    |      |       |       |   |   |   |       |    |      |       |       |   |   |   |       |    |      |       |       |   |   |   |       |    |      |       |       |   |   |   |       |    |      |      |       |       |   |   |       |     |      |      |       |       |   |   |       |     |   |   |       |       |   |   |       |     |   |   |       |       |   |   |       |     |   |   |       |       |   |   |       |     |   |   |      |       |   |   |       |     |   |   |   |       |   |   |       |     |   |   |   |       |       |   |       |     |   |   |   |       |       |   |       |     |   |   |   |       |       |   |       |     |   |   |   |      |       |   |      |     |   |   |   |   |       |   |      |     |   |   |   |   |      |   |      |     |   |   |   |   |      |   |      |     |   |   |   |   |      |      |      |     |   |   |   |   |   |      |      |     |   |   |   |   |   |      |      |     |   |   |   |   |   |      |      |     |   |   |   |   |   |      |      |     |   |   |   |   |   |   |      |     |   |   |   |   |   |   |      |
| 134   | -     | -       | -           | -      | -     | 68,0        | 65,0  |      |  |     |  |   |      |  |  |  |  |  |      |     |  |             |  |  |  |  |     |     |     |     |     |     |   |    |   |        |   |   |   |   |   |    |   |        |   |   |   |   |   |    |       |        |   |   |   |   |       |    |      |       |   |   |   |   |       |    |      |       |   |   |   |   |       |    |      |       |   |   |   |   |       |    |      |       |   |   |   |   |       |    |      |       |   |   |   |   |       |    |      |       |   |   |   |   |       |    |      |       |       |   |   |   |       |    |      |       |       |   |   |   |       |    |      |       |       |   |   |   |       |    |      |       |       |   |   |   |       |    |      |       |       |   |   |   |       |    |      |       |       |   |   |   |       |    |      |       |       |   |   |   |       |    |      |       |       |   |   |   |       |    |      |      |       |       |   |   |       |     |      |      |       |       |   |   |       |     |   |   |       |       |   |   |       |     |   |   |       |       |   |   |       |     |   |   |       |       |   |   |       |     |   |   |      |       |   |   |       |     |   |   |   |       |   |   |       |     |   |   |   |       |       |   |       |     |   |   |   |       |       |   |       |     |   |   |   |       |       |   |       |     |   |   |   |      |       |   |      |     |   |   |   |   |       |   |      |     |   |   |   |   |      |   |      |     |   |   |   |   |      |   |      |     |   |   |   |   |      |      |      |     |   |   |   |   |   |      |      |     |   |   |   |   |   |      |      |     |   |   |   |   |   |      |      |     |   |   |   |   |   |      |      |     |   |   |   |   |   |   |      |     |   |   |   |   |   |   |      |
| 138   | -     | -       | -           | -      | -     | 64,5        | 55,5  |      |  |     |  |   |      |  |  |  |  |  |      |     |  |             |  |  |  |  |     |     |     |     |     |     |   |    |   |        |   |   |   |   |   |    |   |        |   |   |   |   |   |    |       |        |   |   |   |   |       |    |      |       |   |   |   |   |       |    |      |       |   |   |   |   |       |    |      |       |   |   |   |   |       |    |      |       |   |   |   |   |       |    |      |       |   |   |   |   |       |    |      |       |   |   |   |   |       |    |      |       |       |   |   |   |       |    |      |       |       |   |   |   |       |    |      |       |       |   |   |   |       |    |      |       |       |   |   |   |       |    |      |       |       |   |   |   |       |    |      |       |       |   |   |   |       |    |      |       |       |   |   |   |       |    |      |       |       |   |   |   |       |    |      |      |       |       |   |   |       |     |      |      |       |       |   |   |       |     |   |   |       |       |   |   |       |     |   |   |       |       |   |   |       |     |   |   |       |       |   |   |       |     |   |   |      |       |   |   |       |     |   |   |   |       |   |   |       |     |   |   |   |       |       |   |       |     |   |   |   |       |       |   |       |     |   |   |   |       |       |   |       |     |   |   |   |      |       |   |      |     |   |   |   |   |       |   |      |     |   |   |   |   |      |   |      |     |   |   |   |   |      |   |      |     |   |   |   |   |      |      |      |     |   |   |   |   |   |      |      |     |   |   |   |   |   |      |      |     |   |   |   |   |   |      |      |     |   |   |   |   |   |      |      |     |   |   |   |   |   |   |      |     |   |   |   |   |   |   |      |
| 142   | -     | -       | -           | -      | -     | -           | 48,8  |      |  |     |  |   |      |  |  |  |  |  |      |     |  |             |  |  |  |  |     |     |     |     |     |     |   |    |   |        |   |   |   |   |   |    |   |        |   |   |   |   |   |    |       |        |   |   |   |   |       |    |      |       |   |   |   |   |       |    |      |       |   |   |   |   |       |    |      |       |   |   |   |   |       |    |      |       |   |   |   |   |       |    |      |       |   |   |   |   |       |    |      |       |   |   |   |   |       |    |      |       |       |   |   |   |       |    |      |       |       |   |   |   |       |    |      |       |       |   |   |   |       |    |      |       |       |   |   |   |       |    |      |       |       |   |   |   |       |    |      |       |       |   |   |   |       |    |      |       |       |   |   |   |       |    |      |       |       |   |   |   |       |    |      |      |       |       |   |   |       |     |      |      |       |       |   |   |       |     |   |   |       |       |   |   |       |     |   |   |       |       |   |   |       |     |   |   |       |       |   |   |       |     |   |   |      |       |   |   |       |     |   |   |   |       |   |   |       |     |   |   |   |       |       |   |       |     |   |   |   |       |       |   |       |     |   |   |   |       |       |   |       |     |   |   |   |      |       |   |      |     |   |   |   |   |       |   |      |     |   |   |   |   |      |   |      |     |   |   |   |   |      |   |      |     |   |   |   |   |      |      |      |     |   |   |   |   |   |      |      |     |   |   |   |   |   |      |      |     |   |   |   |   |   |      |      |     |   |   |   |   |   |      |      |     |   |   |   |   |   |   |      |     |   |   |   |   |   |   |      |
| 146   | -     | -       | -           | -      | -     | -           | 44,3  |      |  |     |  |   |      |  |  |  |  |  |      |     |  |             |  |  |  |  |     |     |     |     |     |     |   |    |   |        |   |   |   |   |   |    |   |        |   |   |   |   |   |    |       |        |   |   |   |   |       |    |      |       |   |   |   |   |       |    |      |       |   |   |   |   |       |    |      |       |   |   |   |   |       |    |      |       |   |   |   |   |       |    |      |       |   |   |   |   |       |    |      |       |   |   |   |   |       |    |      |       |       |   |   |   |       |    |      |       |       |   |   |   |       |    |      |       |       |   |   |   |       |    |      |       |       |   |   |   |       |    |      |       |       |   |   |   |       |    |      |       |       |   |   |   |       |    |      |       |       |   |   |   |       |    |      |       |       |   |   |   |       |    |      |      |       |       |   |   |       |     |      |      |       |       |   |   |       |     |   |   |       |       |   |   |       |     |   |   |       |       |   |   |       |     |   |   |       |       |   |   |       |     |   |   |      |       |   |   |       |     |   |   |   |       |   |   |       |     |   |   |   |       |       |   |       |     |   |   |   |       |       |   |       |     |   |   |   |       |       |   |       |     |   |   |   |      |       |   |      |     |   |   |   |   |       |   |      |     |   |   |   |   |      |   |      |     |   |   |   |   |      |   |      |     |   |   |   |   |      |      |      |     |   |   |   |   |   |      |      |     |   |   |   |   |   |      |      |     |   |   |   |   |   |      |      |     |   |   |   |   |   |      |      |     |   |   |   |   |   |   |      |     |   |   |   |   |   |   |      |
| <table border="1"> <thead> <tr> <th rowspan="3">m</th> <th colspan="6">SWSL</th> <th>SFSL</th> </tr> <tr> <th colspan="2">0 t</th> <th colspan="4">0 t - 640 t</th> <th></th> </tr> <tr> <th>85°</th> <th>85°</th> <th>75°</th> <th>65°</th> <th>55°</th> <th>45°</th> <th>t</th> </tr> </thead> <tbody> <tr><td>36</td><td>-</td><td>157,0*</td><td>-</td><td>-</td><td>-</td><td>-</td><td>-</td></tr> <tr><td>38</td><td>-</td><td>157,0*</td><td>-</td><td>-</td><td>-</td><td>-</td><td>-</td></tr> <tr><td>42</td><td>-</td><td>153,0*</td><td>-</td><td>-</td><td>-</td><td>-</td><td>-</td></tr> <tr><td>46</td><td>81,5</td><td>162,0</td><td>-</td><td>-</td><td>-</td><td>-</td><td>159,0</td></tr> <tr><td>50</td><td>72,0</td><td>160,0</td><td>-</td><td>-</td><td>-</td><td>-</td><td>159,0</td></tr> <tr><td>54</td><td>63,5</td><td>158,0</td><td>-</td><td>-</td><td>-</td><td>-</td><td>159,0</td></tr> <tr><td>58</td><td>56,5</td><td>156,0</td><td>-</td><td>-</td><td>-</td><td>-</td><td>159,0</td></tr> <tr><td>62</td><td>50,0</td><td>153,0</td><td>-</td><td>-</td><td>-</td><td>-</td><td>159,0</td></tr> <tr><td>66</td><td>44,4</td><td>151,0</td><td>-</td><td>-</td><td>-</td><td>-</td><td>159,0</td></tr> <tr><td>70</td><td>39,3</td><td>148,0</td><td>-</td><td>-</td><td>-</td><td>-</td><td>158,0</td></tr> <tr><td>74</td><td>34,6</td><td>146,0</td><td>158,0</td><td>-</td><td>-</td><td>-</td><td>155,0</td></tr> <tr><td>78</td><td>30,3</td><td>143,0</td><td>158,0</td><td>-</td><td>-</td><td>-</td><td>153,0</td></tr> <tr><td>82</td><td>26,5</td><td>138,0</td><td>158,0</td><td>-</td><td>-</td><td>-</td><td>151,0</td></tr> <tr><td>84</td><td>24,7</td><td>135,0</td><td>158,0</td><td>-</td><td>-</td><td>-</td><td>149,5</td></tr> <tr><td>86</td><td>23,0</td><td>129,5</td><td>158,0</td><td>-</td><td>-</td><td>-</td><td>148,0</td></tr> <tr><td>90</td><td>19,7</td><td>118,5</td><td>158,0</td><td>-</td><td>-</td><td>-</td><td>146,0</td></tr> <tr><td>94</td><td>16,7</td><td>106,5</td><td>145,0</td><td>-</td><td>-</td><td>-</td><td>142,0</td></tr> <tr><td>98</td><td>13,9</td><td>93,7</td><td>134,0</td><td>-</td><td>-</td><td>-</td><td>139,0</td></tr> <tr><td>100</td><td>12,6</td><td>87,5</td><td>128,0</td><td>141,0</td><td>-</td><td>-</td><td>138,0</td></tr> <tr><td>102</td><td>-</td><td>-</td><td>123,0</td><td>141,0</td><td>-</td><td>-</td><td>137,0</td></tr> <tr><td>106</td><td>-</td><td>-</td><td>114,0</td><td>139,0</td><td>-</td><td>-</td><td>133,0</td></tr> <tr><td>110</td><td>-</td><td>-</td><td>106,0</td><td>131,0</td><td>-</td><td>-</td><td>123,0</td></tr> <tr><td>114</td><td>-</td><td>-</td><td>94,5</td><td>125,0</td><td>-</td><td>-</td><td>115,0</td></tr> <tr><td>118</td><td>-</td><td>-</td><td>-</td><td>116,0</td><td>-</td><td>-</td><td>106,0</td></tr> <tr><td>122</td><td>-</td><td>-</td><td>-</td><td>108,0</td><td>-</td><td>-</td><td>99,0</td></tr> <tr><td>124</td><td>-</td><td>-</td><td>-</td><td>104,0</td><td>97,0</td><td>-</td><td>95,0</td></tr> <tr><td>126</td><td>-</td><td>-</td><td>-</td><td>100,0</td><td>94,5</td><td>-</td><td>91,0</td></tr> <tr><td>128</td><td>-</td><td>-</td><td>-</td><td>96,5</td><td>92,0</td><td>-</td><td>86,2</td></tr> <tr><td>130</td><td>-</td><td>-</td><td>-</td><td>-</td><td>90,0</td><td>-</td><td>81,5</td></tr> <tr><td>134</td><td>-</td><td>-</td><td>-</td><td>-</td><td>85,5</td><td>-</td><td>72,5</td></tr> <tr><td>138</td><td>-</td><td>-</td><td>-</td><td>-</td><td>81,0</td><td>-</td><td>63,5</td></tr> <tr><td>140</td><td>-</td><td>-</td><td>-</td><td>-</td><td>79,0</td><td>-</td><td>59,2</td></tr> <tr><td>142</td><td>-</td><td>-</td><td>-</td><td>-</td><td>-</td><td>-</td><td>55,0</td></tr> <tr><td>144</td><td>-</td><td>-</td><td>-</td><td>-</td><td>-</td><td>53,0</td><td>51,0</td></tr> <tr><td>146</td><td>-</td><td>-</td><td>-</td><td>-</td><td>-</td><td>51,5</td><td>47,1</td></tr> <tr><td>150</td><td>-</td><td>-</td><td>-</td><td>-</td><td>-</td><td>48,8</td><td>41,1</td></tr> <tr><td>154</td><td>-</td><td>-</td><td>-</td><td>-</td><td>-</td><td>-</td><td>37,1</td></tr> <tr><td>158</td><td>-</td><td>-</td><td>-</td><td>-</td><td>-</td><td>-</td><td>29,2</td></tr> </tbody> </table> |       |         |             |        |       |             |       |      |  |     |  | m | SWSL |  |  |  |  |  | SFSL | 0 t |  | 0 t - 640 t |  |  |  |  | 85° | 85° | 75° | 65° | 55° | 45° | t | 36 | - | 157,0* | - | - | - | - | - | 38 | - | 157,0* | - | - | - | - | - | 42 | -     | 153,0* | - | - | - | - | -     | 46 | 81,5 | 162,0 | - | - | - | - | 159,0 | 50 | 72,0 | 160,0 | - | - | - | - | 159,0 | 54 | 63,5 | 158,0 | - | - | - | - | 159,0 | 58 | 56,5 | 156,0 | - | - | - | - | 159,0 | 62 | 50,0 | 153,0 | - | - | - | - | 159,0 | 66 | 44,4 | 151,0 | - | - | - | - | 159,0 | 70 | 39,3 | 148,0 | -     | - | - | - | 158,0 | 74 | 34,6 | 146,0 | 158,0 | - | - | - | 155,0 | 78 | 30,3 | 143,0 | 158,0 | - | - | - | 153,0 | 82 | 26,5 | 138,0 | 158,0 | - | - | - | 151,0 | 84 | 24,7 | 135,0 | 158,0 | - | - | - | 149,5 | 86 | 23,0 | 129,5 | 158,0 | - | - | - | 148,0 | 90 | 19,7 | 118,5 | 158,0 | - | - | - | 146,0 | 94 | 16,7 | 106,5 | 145,0 | - | - | - | 142,0 | 98 | 13,9 | 93,7 | 134,0 | -     | - | - | 139,0 | 100 | 12,6 | 87,5 | 128,0 | 141,0 | - | - | 138,0 | 102 | - | - | 123,0 | 141,0 | - | - | 137,0 | 106 | - | - | 114,0 | 139,0 | - | - | 133,0 | 110 | - | - | 106,0 | 131,0 | - | - | 123,0 | 114 | - | - | 94,5 | 125,0 | - | - | 115,0 | 118 | - | - | - | 116,0 | - | - | 106,0 | 122 | - | - | - | 108,0 | -     | - | 99,0  | 124 | - | - | - | 104,0 | 97,0  | - | 95,0  | 126 | - | - | - | 100,0 | 94,5  | - | 91,0  | 128 | - | - | - | 96,5 | 92,0  | - | 86,2 | 130 | - | - | - | - | 90,0  | - | 81,5 | 134 | - | - | - | - | 85,5 | - | 72,5 | 138 | - | - | - | - | 81,0 | - | 63,5 | 140 | - | - | - | - | 79,0 | -    | 59,2 | 142 | - | - | - | - | - | -    | 55,0 | 144 | - | - | - | - | - | 53,0 | 51,0 | 146 | - | - | - | - | - | 51,5 | 47,1 | 150 | - | - | - | - | - | 48,8 | 41,1 | 154 | - | - | - | - | - | - | 37,1 | 158 | - | - | - | - | - | - | 29,2 |
| m   | SWSL  |         |             |        |       |             | SFSL  |      |  |     |  |   |      |  |  |  |  |  |      |     |  |             |  |  |  |  |     |     |     |     |     |     |   |    |   |        |   |   |   |   |   |    |   |        |   |   |   |   |   |    |       |        |   |   |   |   |       |    |      |       |   |   |   |   |       |    |      |       |   |   |   |   |       |    |      |       |   |   |   |   |       |    |      |       |   |   |   |   |       |    |      |       |   |   |   |   |       |    |      |       |   |   |   |   |       |    |      |       |       |   |   |   |       |    |      |       |       |   |   |   |       |    |      |       |       |   |   |   |       |    |      |       |       |   |   |   |       |    |      |       |       |   |   |   |       |    |      |       |       |   |   |   |       |    |      |       |       |   |   |   |       |    |      |       |       |   |   |   |       |    |      |      |       |       |   |   |       |     |      |      |       |       |   |   |       |     |   |   |       |       |   |   |       |     |   |   |       |       |   |   |       |     |   |   |       |       |   |   |       |     |   |   |      |       |   |   |       |     |   |   |   |       |   |   |       |     |   |   |   |       |       |   |       |     |   |   |   |       |       |   |       |     |   |   |   |       |       |   |       |     |   |   |   |      |       |   |      |     |   |   |   |   |       |   |      |     |   |   |   |   |      |   |      |     |   |   |   |   |      |   |      |     |   |   |   |   |      |      |      |     |   |   |   |   |   |      |      |     |   |   |   |   |   |      |      |     |   |   |   |   |   |      |      |     |   |   |   |   |   |      |      |     |   |   |   |   |   |   |      |     |   |   |   |   |   |   |      |
|   | 0 t   |         | 0 t - 640 t |        |       |             |       |      |  |     |  |   |      |  |  |  |  |  |      |     |  |             |  |  |  |  |     |     |     |     |     |     |   |    |   |        |   |   |   |   |   |    |   |        |   |   |   |   |   |    |       |        |   |   |   |   |       |    |      |       |   |   |   |   |       |    |      |       |   |   |   |   |       |    |      |       |   |   |   |   |       |    |      |       |   |   |   |   |       |    |      |       |   |   |   |   |       |    |      |       |   |   |   |   |       |    |      |       |       |   |   |   |       |    |      |       |       |   |   |   |       |    |      |       |       |   |   |   |       |    |      |       |       |   |   |   |       |    |      |       |       |   |   |   |       |    |      |       |       |   |   |   |       |    |      |       |       |   |   |   |       |    |      |       |       |   |   |   |       |    |      |      |       |       |   |   |       |     |      |      |       |       |   |   |       |     |   |   |       |       |   |   |       |     |   |   |       |       |   |   |       |     |   |   |       |       |   |   |       |     |   |   |      |       |   |   |       |     |   |   |   |       |   |   |       |     |   |   |   |       |       |   |       |     |   |   |   |       |       |   |       |     |   |   |   |       |       |   |       |     |   |   |   |      |       |   |      |     |   |   |   |   |       |   |      |     |   |   |   |   |      |   |      |     |   |   |   |   |      |   |      |     |   |   |   |   |      |      |      |     |   |   |   |   |   |      |      |     |   |   |   |   |   |      |      |     |   |   |   |   |   |      |      |     |   |   |   |   |   |      |      |     |   |   |   |   |   |   |      |     |   |   |   |   |   |   |      |
|   | 85°   | 85°     | 75°         | 65°    | 55°   | 45°         | t     |      |  |     |  |   |      |  |  |  |  |  |      |     |  |             |  |  |  |  |     |     |     |     |     |     |   |    |   |        |   |   |   |   |   |    |   |        |   |   |   |   |   |    |       |        |   |   |   |   |       |    |      |       |   |   |   |   |       |    |      |       |   |   |   |   |       |    |      |       |   |   |   |   |       |    |      |       |   |   |   |   |       |    |      |       |   |   |   |   |       |    |      |       |   |   |   |   |       |    |      |       |       |   |   |   |       |    |      |       |       |   |   |   |       |    |      |       |       |   |   |   |       |    |      |       |       |   |   |   |       |    |      |       |       |   |   |   |       |    |      |       |       |   |   |   |       |    |      |       |       |   |   |   |       |    |      |       |       |   |   |   |       |    |      |      |       |       |   |   |       |     |      |      |       |       |   |   |       |     |   |   |       |       |   |   |       |     |   |   |       |       |   |   |       |     |   |   |       |       |   |   |       |     |   |   |      |       |   |   |       |     |   |   |   |       |   |   |       |     |   |   |   |       |       |   |       |     |   |   |   |       |       |   |       |     |   |   |   |       |       |   |       |     |   |   |   |      |       |   |      |     |   |   |   |   |       |   |      |     |   |   |   |   |      |   |      |     |   |   |   |   |      |   |      |     |   |   |   |   |      |      |      |     |   |   |   |   |   |      |      |     |   |   |   |   |   |      |      |     |   |   |   |   |   |      |      |     |   |   |   |   |   |      |      |     |   |   |   |   |   |   |      |     |   |   |   |   |   |   |      |
| 36  | -     | 157,0*  | -           | -      | -     | -           | -     |      |  |     |  |   |      |  |  |  |  |  |      |     |  |             |  |  |  |  |     |     |     |     |     |     |   |    |   |        |   |   |   |   |   |    |   |        |   |   |   |   |   |    |       |        |   |   |   |   |       |    |      |       |   |   |   |   |       |    |      |       |   |   |   |   |       |    |      |       |   |   |   |   |       |    |      |       |   |   |   |   |       |    |      |       |   |   |   |   |       |    |      |       |   |   |   |   |       |    |      |       |       |   |   |   |       |    |      |       |       |   |   |   |       |    |      |       |       |   |   |   |       |    |      |       |       |   |   |   |       |    |      |       |       |   |   |   |       |    |      |       |       |   |   |   |       |    |      |       |       |   |   |   |       |    |      |       |       |   |   |   |       |    |      |      |       |       |   |   |       |     |      |      |       |       |   |   |       |     |   |   |       |       |   |   |       |     |   |   |       |       |   |   |       |     |   |   |       |       |   |   |       |     |   |   |      |       |   |   |       |     |   |   |   |       |   |   |       |     |   |   |   |       |       |   |       |     |   |   |   |       |       |   |       |     |   |   |   |       |       |   |       |     |   |   |   |      |       |   |      |     |   |   |   |   |       |   |      |     |   |   |   |   |      |   |      |     |   |   |   |   |      |   |      |     |   |   |   |   |      |      |      |     |   |   |   |   |   |      |      |     |   |   |   |   |   |      |      |     |   |   |   |   |   |      |      |     |   |   |   |   |   |      |      |     |   |   |   |   |   |   |      |     |   |   |   |   |   |   |      |
| 38  | -     | 157,0*  | -           | -      | -     | -           | -     |      |  |     |  |   |      |  |  |  |  |  |      |     |  |             |  |  |  |  |     |     |     |     |     |     |   |    |   |        |   |   |   |   |   |    |   |        |   |   |   |   |   |    |       |        |   |   |   |   |       |    |      |       |   |   |   |   |       |    |      |       |   |   |   |   |       |    |      |       |   |   |   |   |       |    |      |       |   |   |   |   |       |    |      |       |   |   |   |   |       |    |      |       |   |   |   |   |       |    |      |       |       |   |   |   |       |    |      |       |       |   |   |   |       |    |      |       |       |   |   |   |       |    |      |       |       |   |   |   |       |    |      |       |       |   |   |   |       |    |      |       |       |   |   |   |       |    |      |       |       |   |   |   |       |    |      |       |       |   |   |   |       |    |      |      |       |       |   |   |       |     |      |      |       |       |   |   |       |     |   |   |       |       |   |   |       |     |   |   |       |       |   |   |       |     |   |   |       |       |   |   |       |     |   |   |      |       |   |   |       |     |   |   |   |       |   |   |       |     |   |   |   |       |       |   |       |     |   |   |   |       |       |   |       |     |   |   |   |       |       |   |       |     |   |   |   |      |       |   |      |     |   |   |   |   |       |   |      |     |   |   |   |   |      |   |      |     |   |   |   |   |      |   |      |     |   |   |   |   |      |      |      |     |   |   |   |   |   |      |      |     |   |   |   |   |   |      |      |     |   |   |   |   |   |      |      |     |   |   |   |   |   |      |      |     |   |   |   |   |   |   |      |     |   |   |   |   |   |   |      |
| 42  | -     | 153,0*  | -           | -      | -     | -           | -     |      |  |     |  |   |      |  |  |  |  |  |      |     |  |             |  |  |  |  |     |     |     |     |     |     |   |    |   |        |   |   |   |   |   |    |   |        |   |   |   |   |   |    |       |        |   |   |   |   |       |    |      |       |   |   |   |   |       |    |      |       |   |   |   |   |       |    |      |       |   |   |   |   |       |    |      |       |   |   |   |   |       |    |      |       |   |   |   |   |       |    |      |       |   |   |   |   |       |    |      |       |       |   |   |   |       |    |      |       |       |   |   |   |       |    |      |       |       |   |   |   |       |    |      |       |       |   |   |   |       |    |      |       |       |   |   |   |       |    |      |       |       |   |   |   |       |    |      |       |       |   |   |   |       |    |      |       |       |   |   |   |       |    |      |      |       |       |   |   |       |     |      |      |       |       |   |   |       |     |   |   |       |       |   |   |       |     |   |   |       |       |   |   |       |     |   |   |       |       |   |   |       |     |   |   |      |       |   |   |       |     |   |   |   |       |   |   |       |     |   |   |   |       |       |   |       |     |   |   |   |       |       |   |       |     |   |   |   |       |       |   |       |     |   |   |   |      |       |   |      |     |   |   |   |   |       |   |      |     |   |   |   |   |      |   |      |     |   |   |   |   |      |   |      |     |   |   |   |   |      |      |      |     |   |   |   |   |   |      |      |     |   |   |   |   |   |      |      |     |   |   |   |   |   |      |      |     |   |   |   |   |   |      |      |     |   |   |   |   |   |   |      |     |   |   |   |   |   |   |      |
| 46  | 81,5  | 162,0   | -           | -      | -     | -           | 159,0 |      |  |     |  |   |      |  |  |  |  |  |      |     |  |             |  |  |  |  |     |     |     |     |     |     |   |    |   |        |   |   |   |   |   |    |   |        |   |   |   |   |   |    |       |        |   |   |   |   |       |    |      |       |   |   |   |   |       |    |      |       |   |   |   |   |       |    |      |       |   |   |   |   |       |    |      |       |   |   |   |   |       |    |      |       |   |   |   |   |       |    |      |       |   |   |   |   |       |    |      |       |       |   |   |   |       |    |      |       |       |   |   |   |       |    |      |       |       |   |   |   |       |    |      |       |       |   |   |   |       |    |      |       |       |   |   |   |       |    |      |       |       |   |   |   |       |    |      |       |       |   |   |   |       |    |      |       |       |   |   |   |       |    |      |      |       |       |   |   |       |     |      |      |       |       |   |   |       |     |   |   |       |       |   |   |       |     |   |   |       |       |   |   |       |     |   |   |       |       |   |   |       |     |   |   |      |       |   |   |       |     |   |   |   |       |   |   |       |     |   |   |   |       |       |   |       |     |   |   |   |       |       |   |       |     |   |   |   |       |       |   |       |     |   |   |   |      |       |   |      |     |   |   |   |   |       |   |      |     |   |   |   |   |      |   |      |     |   |   |   |   |      |   |      |     |   |   |   |   |      |      |      |     |   |   |   |   |   |      |      |     |   |   |   |   |   |      |      |     |   |   |   |   |   |      |      |     |   |   |   |   |   |      |      |     |   |   |   |   |   |   |      |     |   |   |   |   |   |   |      |
| 50  | 72,0  | 160,0   | -           | -      | -     | -           | 159,0 |      |  |     |  |   |      |  |  |  |  |  |      |     |  |             |  |  |  |  |     |     |     |     |     |     |   |    |   |        |   |   |   |   |   |    |   |        |   |   |   |   |   |    |       |        |   |   |   |   |       |    |      |       |   |   |   |   |       |    |      |       |   |   |   |   |       |    |      |       |   |   |   |   |       |    |      |       |   |   |   |   |       |    |      |       |   |   |   |   |       |    |      |       |   |   |   |   |       |    |      |       |       |   |   |   |       |    |      |       |       |   |   |   |       |    |      |       |       |   |   |   |       |    |      |       |       |   |   |   |       |    |      |       |       |   |   |   |       |    |      |       |       |   |   |   |       |    |      |       |       |   |   |   |       |    |      |       |       |   |   |   |       |    |      |      |       |       |   |   |       |     |      |      |       |       |   |   |       |     |   |   |       |       |   |   |       |     |   |   |       |       |   |   |       |     |   |   |       |       |   |   |       |     |   |   |      |       |   |   |       |     |   |   |   |       |   |   |       |     |   |   |   |       |       |   |       |     |   |   |   |       |       |   |       |     |   |   |   |       |       |   |       |     |   |   |   |      |       |   |      |     |   |   |   |   |       |   |      |     |   |   |   |   |      |   |      |     |   |   |   |   |      |   |      |     |   |   |   |   |      |      |      |     |   |   |   |   |   |      |      |     |   |   |   |   |   |      |      |     |   |   |   |   |   |      |      |     |   |   |   |   |   |      |      |     |   |   |   |   |   |   |      |     |   |   |   |   |   |   |      |
| 54  | 63,5  | 158,0   | -           | -      | -     | -           | 159,0 |      |  |     |  |   |      |  |  |  |  |  |      |     |  |             |  |  |  |  |     |     |     |     |     |     |   |    |   |        |   |   |   |   |   |    |   |        |   |   |   |   |   |    |       |        |   |   |   |   |       |    |      |       |   |   |   |   |       |    |      |       |   |   |   |   |       |    |      |       |   |   |   |   |       |    |      |       |   |   |   |   |       |    |      |       |   |   |   |   |       |    |      |       |   |   |   |   |       |    |      |       |       |   |   |   |       |    |      |       |       |   |   |   |       |    |      |       |       |   |   |   |       |    |      |       |       |   |   |   |       |    |      |       |       |   |   |   |       |    |      |       |       |   |   |   |       |    |      |       |       |   |   |   |       |    |      |       |       |   |   |   |       |    |      |      |       |       |   |   |       |     |      |      |       |       |   |   |       |     |   |   |       |       |   |   |       |     |   |   |       |       |   |   |       |     |   |   |       |       |   |   |       |     |   |   |      |       |   |   |       |     |   |   |   |       |   |   |       |     |   |   |   |       |       |   |       |     |   |   |   |       |       |   |       |     |   |   |   |       |       |   |       |     |   |   |   |      |       |   |      |     |   |   |   |   |       |   |      |     |   |   |   |   |      |   |      |     |   |   |   |   |      |   |      |     |   |   |   |   |      |      |      |     |   |   |   |   |   |      |      |     |   |   |   |   |   |      |      |     |   |   |   |   |   |      |      |     |   |   |   |   |   |      |      |     |   |   |   |   |   |   |      |     |   |   |   |   |   |   |      |
| 58  | 56,5  | 156,0   | -           | -      | -     | -           | 159,0 |      |  |     |  |   |      |  |  |  |  |  |      |     |  |             |  |  |  |  |     |     |     |     |     |     |   |    |   |        |   |   |   |   |   |    |   |        |   |   |   |   |   |    |       |        |   |   |   |   |       |    |      |       |   |   |   |   |       |    |      |       |   |   |   |   |       |    |      |       |   |   |   |   |       |    |      |       |   |   |   |   |       |    |      |       |   |   |   |   |       |    |      |       |   |   |   |   |       |    |      |       |       |   |   |   |       |    |      |       |       |   |   |   |       |    |      |       |       |   |   |   |       |    |      |       |       |   |   |   |       |    |      |       |       |   |   |   |       |    |      |       |       |   |   |   |       |    |      |       |       |   |   |   |       |    |      |       |       |   |   |   |       |    |      |      |       |       |   |   |       |     |      |      |       |       |   |   |       |     |   |   |       |       |   |   |       |     |   |   |       |       |   |   |       |     |   |   |       |       |   |   |       |     |   |   |      |       |   |   |       |     |   |   |   |       |   |   |       |     |   |   |   |       |       |   |       |     |   |   |   |       |       |   |       |     |   |   |   |       |       |   |       |     |   |   |   |      |       |   |      |     |   |   |   |   |       |   |      |     |   |   |   |   |      |   |      |     |   |   |   |   |      |   |      |     |   |   |   |   |      |      |      |     |   |   |   |   |   |      |      |     |   |   |   |   |   |      |      |     |   |   |   |   |   |      |      |     |   |   |   |   |   |      |      |     |   |   |   |   |   |   |      |     |   |   |   |   |   |   |      |
| 62  | 50,0  | 153,0   | -           | -      | -     | -           | 159,0 |      |  |     |  |   |      |  |  |  |  |  |      |     |  |             |  |  |  |  |     |     |     |     |     |     |   |    |   |        |   |   |   |   |   |    |   |        |   |   |   |   |   |    |       |        |   |   |   |   |       |    |      |       |   |   |   |   |       |    |      |       |   |   |   |   |       |    |      |       |   |   |   |   |       |    |      |       |   |   |   |   |       |    |      |       |   |   |   |   |       |    |      |       |   |   |   |   |       |    |      |       |       |   |   |   |       |    |      |       |       |   |   |   |       |    |      |       |       |   |   |   |       |    |      |       |       |   |   |   |       |    |      |       |       |   |   |   |       |    |      |       |       |   |   |   |       |    |      |       |       |   |   |   |       |    |      |       |       |   |   |   |       |    |      |      |       |       |   |   |       |     |      |      |       |       |   |   |       |     |   |   |       |       |   |   |       |     |   |   |       |       |   |   |       |     |   |   |       |       |   |   |       |     |   |   |      |       |   |   |       |     |   |   |   |       |   |   |       |     |   |   |   |       |       |   |       |     |   |   |   |       |       |   |       |     |   |   |   |       |       |   |       |     |   |   |   |      |       |   |      |     |   |   |   |   |       |   |      |     |   |   |   |   |      |   |      |     |   |   |   |   |      |   |      |     |   |   |   |   |      |      |      |     |   |   |   |   |   |      |      |     |   |   |   |   |   |      |      |     |   |   |   |   |   |      |      |     |   |   |   |   |   |      |      |     |   |   |   |   |   |   |      |     |   |   |   |   |   |   |      |
| 66  | 44,4  | 151,0   | -           | -      | -     | -           | 159,0 |      |  |     |  |   |      |  |  |  |  |  |      |     |  |             |  |  |  |  |     |     |     |     |     |     |   |    |   |        |   |   |   |   |   |    |   |        |   |   |   |   |   |    |       |        |   |   |   |   |       |    |      |       |   |   |   |   |       |    |      |       |   |   |   |   |       |    |      |       |   |   |   |   |       |    |      |       |   |   |   |   |       |    |      |       |   |   |   |   |       |    |      |       |   |   |   |   |       |    |      |       |       |   |   |   |       |    |      |       |       |   |   |   |       |    |      |       |       |   |   |   |       |    |      |       |       |   |   |   |       |    |      |       |       |   |   |   |       |    |      |       |       |   |   |   |       |    |      |       |       |   |   |   |       |    |      |       |       |   |   |   |       |    |      |      |       |       |   |   |       |     |      |      |       |       |   |   |       |     |   |   |       |       |   |   |       |     |   |   |       |       |   |   |       |     |   |   |       |       |   |   |       |     |   |   |      |       |   |   |       |     |   |   |   |       |   |   |       |     |   |   |   |       |       |   |       |     |   |   |   |       |       |   |       |     |   |   |   |       |       |   |       |     |   |   |   |      |       |   |      |     |   |   |   |   |       |   |      |     |   |   |   |   |      |   |      |     |   |   |   |   |      |   |      |     |   |   |   |   |      |      |      |     |   |   |   |   |   |      |      |     |   |   |   |   |   |      |      |     |   |   |   |   |   |      |      |     |   |   |   |   |   |      |      |     |   |   |   |   |   |   |      |     |   |   |   |   |   |   |      |
| 70  | 39,3  | 148,0   | -           | -      | -     | -           | 158,0 |      |  |     |  |   |      |  |  |  |  |  |      |     |  |             |  |  |  |  |     |     |     |     |     |     |   |    |   |        |   |   |   |   |   |    |   |        |   |   |   |   |   |    |       |        |   |   |   |   |       |    |      |       |   |   |   |   |       |    |      |       |   |   |   |   |       |    |      |       |   |   |   |   |       |    |      |       |   |   |   |   |       |    |      |       |   |   |   |   |       |    |      |       |   |   |   |   |       |    |      |       |       |   |   |   |       |    |      |       |       |   |   |   |       |    |      |       |       |   |   |   |       |    |      |       |       |   |   |   |       |    |      |       |       |   |   |   |       |    |      |       |       |   |   |   |       |    |      |       |       |   |   |   |       |    |      |       |       |   |   |   |       |    |      |      |       |       |   |   |       |     |      |      |       |       |   |   |       |     |   |   |       |       |   |   |       |     |   |   |       |       |   |   |       |     |   |   |       |       |   |   |       |     |   |   |      |       |   |   |       |     |   |   |   |       |   |   |       |     |   |   |   |       |       |   |       |     |   |   |   |       |       |   |       |     |   |   |   |       |       |   |       |     |   |   |   |      |       |   |      |     |   |   |   |   |       |   |      |     |   |   |   |   |      |   |      |     |   |   |   |   |      |   |      |     |   |   |   |   |      |      |      |     |   |   |   |   |   |      |      |     |   |   |   |   |   |      |      |     |   |   |   |   |   |      |      |     |   |   |   |   |   |      |      |     |   |   |   |   |   |   |      |     |   |   |   |   |   |   |      |
| 74  | 34,6  | 146,0   | 158,0       | -      | -     | -           | 155,0 |      |  |     |  |   |      |  |  |  |  |  |      |     |  |             |  |  |  |  |     |     |     |     |     |     |   |    |   |        |   |   |   |   |   |    |   |        |   |   |   |   |   |    |       |        |   |   |   |   |       |    |      |       |   |   |   |   |       |    |      |       |   |   |   |   |       |    |      |       |   |   |   |   |       |    |      |       |   |   |   |   |       |    |      |       |   |   |   |   |       |    |      |       |   |   |   |   |       |    |      |       |       |   |   |   |       |    |      |       |       |   |   |   |       |    |      |       |       |   |   |   |       |    |      |       |       |   |   |   |       |    |      |       |       |   |   |   |       |    |      |       |       |   |   |   |       |    |      |       |       |   |   |   |       |    |      |       |       |   |   |   |       |    |      |      |       |       |   |   |       |     |      |      |       |       |   |   |       |     |   |   |       |       |   |   |       |     |   |   |       |       |   |   |       |     |   |   |       |       |   |   |       |     |   |   |      |       |   |   |       |     |   |   |   |       |   |   |       |     |   |   |   |       |       |   |       |     |   |   |   |       |       |   |       |     |   |   |   |       |       |   |       |     |   |   |   |      |       |   |      |     |   |   |   |   |       |   |      |     |   |   |   |   |      |   |      |     |   |   |   |   |      |   |      |     |   |   |   |   |      |      |      |     |   |   |   |   |   |      |      |     |   |   |   |   |   |      |      |     |   |   |   |   |   |      |      |     |   |   |   |   |   |      |      |     |   |   |   |   |   |   |      |     |   |   |   |   |   |   |      |
| 78  | 30,3  | 143,0   | 158,0       | -      | -     | -           | 153,0 |      |  |     |  |   |      |  |  |  |  |  |      |     |  |             |  |  |  |  |     |     |     |     |     |     |   |    |   |        |   |   |   |   |   |    |   |        |   |   |   |   |   |    |       |        |   |   |   |   |       |    |      |       |   |   |   |   |       |    |      |       |   |   |   |   |       |    |      |       |   |   |   |   |       |    |      |       |   |   |   |   |       |    |      |       |   |   |   |   |       |    |      |       |   |   |   |   |       |    |      |       |       |   |   |   |       |    |      |       |       |   |   |   |       |    |      |       |       |   |   |   |       |    |      |       |       |   |   |   |       |    |      |       |       |   |   |   |       |    |      |       |       |   |   |   |       |    |      |       |       |   |   |   |       |    |      |       |       |   |   |   |       |    |      |      |       |       |   |   |       |     |      |      |       |       |   |   |       |     |   |   |       |       |   |   |       |     |   |   |       |       |   |   |       |     |   |   |       |       |   |   |       |     |   |   |      |       |   |   |       |     |   |   |   |       |   |   |       |     |   |   |   |       |       |   |       |     |   |   |   |       |       |   |       |     |   |   |   |       |       |   |       |     |   |   |   |      |       |   |      |     |   |   |   |   |       |   |      |     |   |   |   |   |      |   |      |     |   |   |   |   |      |   |      |     |   |   |   |   |      |      |      |     |   |   |   |   |   |      |      |     |   |   |   |   |   |      |      |     |   |   |   |   |   |      |      |     |   |   |   |   |   |      |      |     |   |   |   |   |   |   |      |     |   |   |   |   |   |   |      |
| 82  | 26,5  | 138,0   | 158,0       | -      | -     | -           | 151,0 |      |  |     |  |   |      |  |  |  |  |  |      |     |  |             |  |  |  |  |     |     |     |     |     |     |   |    |   |        |   |   |   |   |   |    |   |        |   |   |   |   |   |    |       |        |   |   |   |   |       |    |      |       |   |   |   |   |       |    |      |       |   |   |   |   |       |    |      |       |   |   |   |   |       |    |      |       |   |   |   |   |       |    |      |       |   |   |   |   |       |    |      |       |   |   |   |   |       |    |      |       |       |   |   |   |       |    |      |       |       |   |   |   |       |    |      |       |       |   |   |   |       |    |      |       |       |   |   |   |       |    |      |       |       |   |   |   |       |    |      |       |       |   |   |   |       |    |      |       |       |   |   |   |       |    |      |       |       |   |   |   |       |    |      |      |       |       |   |   |       |     |      |      |       |       |   |   |       |     |   |   |       |       |   |   |       |     |   |   |       |       |   |   |       |     |   |   |       |       |   |   |       |     |   |   |      |       |   |   |       |     |   |   |   |       |   |   |       |     |   |   |   |       |       |   |       |     |   |   |   |       |       |   |       |     |   |   |   |       |       |   |       |     |   |   |   |      |       |   |      |     |   |   |   |   |       |   |      |     |   |   |   |   |      |   |      |     |   |   |   |   |      |   |      |     |   |   |   |   |      |      |      |     |   |   |   |   |   |      |      |     |   |   |   |   |   |      |      |     |   |   |   |   |   |      |      |     |   |   |   |   |   |      |      |     |   |   |   |   |   |   |      |     |   |   |   |   |   |   |      |
| 84  | 24,7  | 135,0   | 158,0       | -      | -     | -           | 149,5 |      |  |     |  |   |      |  |  |  |  |  |      |     |  |             |  |  |  |  |     |     |     |     |     |     |   |    |   |        |   |   |   |   |   |    |   |        |   |   |   |   |   |    |       |        |   |   |   |   |       |    |      |       |   |   |   |   |       |    |      |       |   |   |   |   |       |    |      |       |   |   |   |   |       |    |      |       |   |   |   |   |       |    |      |       |   |   |   |   |       |    |      |       |   |   |   |   |       |    |      |       |       |   |   |   |       |    |      |       |       |   |   |   |       |    |      |       |       |   |   |   |       |    |      |       |       |   |   |   |       |    |      |       |       |   |   |   |       |    |      |       |       |   |   |   |       |    |      |       |       |   |   |   |       |    |      |       |       |   |   |   |       |    |      |      |       |       |   |   |       |     |      |      |       |       |   |   |       |     |   |   |       |       |   |   |       |     |   |   |       |       |   |   |       |     |   |   |       |       |   |   |       |     |   |   |      |       |   |   |       |     |   |   |   |       |   |   |       |     |   |   |   |       |       |   |       |     |   |   |   |       |       |   |       |     |   |   |   |       |       |   |       |     |   |   |   |      |       |   |      |     |   |   |   |   |       |   |      |     |   |   |   |   |      |   |      |     |   |   |   |   |      |   |      |     |   |   |   |   |      |      |      |     |   |   |   |   |   |      |      |     |   |   |   |   |   |      |      |     |   |   |   |   |   |      |      |     |   |   |   |   |   |      |      |     |   |   |   |   |   |   |      |     |   |   |   |   |   |   |      |
| 86  | 23,0  | 129,5   | 158,0       | -      | -     | -           | 148,0 |      |  |     |  |   |      |  |  |  |  |  |      |     |  |             |  |  |  |  |     |     |     |     |     |     |   |    |   |        |   |   |   |   |   |    |   |        |   |   |   |   |   |    |       |        |   |   |   |   |       |    |      |       |   |   |   |   |       |    |      |       |   |   |   |   |       |    |      |       |   |   |   |   |       |    |      |       |   |   |   |   |       |    |      |       |   |   |   |   |       |    |      |       |   |   |   |   |       |    |      |       |       |   |   |   |       |    |      |       |       |   |   |   |       |    |      |       |       |   |   |   |       |    |      |       |       |   |   |   |       |    |      |       |       |   |   |   |       |    |      |       |       |   |   |   |       |    |      |       |       |   |   |   |       |    |      |       |       |   |   |   |       |    |      |      |       |       |   |   |       |     |      |      |       |       |   |   |       |     |   |   |       |       |   |   |       |     |   |   |       |       |   |   |       |     |   |   |       |       |   |   |       |     |   |   |      |       |   |   |       |     |   |   |   |       |   |   |       |     |   |   |   |       |       |   |       |     |   |   |   |       |       |   |       |     |   |   |   |       |       |   |       |     |   |   |   |      |       |   |      |     |   |   |   |   |       |   |      |     |   |   |   |   |      |   |      |     |   |   |   |   |      |   |      |     |   |   |   |   |      |      |      |     |   |   |   |   |   |      |      |     |   |   |   |   |   |      |      |     |   |   |   |   |   |      |      |     |   |   |   |   |   |      |      |     |   |   |   |   |   |   |      |     |   |   |   |   |   |   |      |
| 90  | 19,7  | 118,5   | 158,0       | -      | -     | -           | 146,0 |      |  |     |  |   |      |  |  |  |  |  |      |     |  |             |  |  |  |  |     |     |     |     |     |     |   |    |   |        |   |   |   |   |   |    |   |        |   |   |   |   |   |    |       |        |   |   |   |   |       |    |      |       |   |   |   |   |       |    |      |       |   |   |   |   |       |    |      |       |   |   |   |   |       |    |      |       |   |   |   |   |       |    |      |       |   |   |   |   |       |    |      |       |   |   |   |   |       |    |      |       |       |   |   |   |       |    |      |       |       |   |   |   |       |    |      |       |       |   |   |   |       |    |      |       |       |   |   |   |       |    |      |       |       |   |   |   |       |    |      |       |       |   |   |   |       |    |      |       |       |   |   |   |       |    |      |       |       |   |   |   |       |    |      |      |       |       |   |   |       |     |      |      |       |       |   |   |       |     |   |   |       |       |   |   |       |     |   |   |       |       |   |   |       |     |   |   |       |       |   |   |       |     |   |   |      |       |   |   |       |     |   |   |   |       |   |   |       |     |   |   |   |       |       |   |       |     |   |   |   |       |       |   |       |     |   |   |   |       |       |   |       |     |   |   |   |      |       |   |      |     |   |   |   |   |       |   |      |     |   |   |   |   |      |   |      |     |   |   |   |   |      |   |      |     |   |   |   |   |      |      |      |     |   |   |   |   |   |      |      |     |   |   |   |   |   |      |      |     |   |   |   |   |   |      |      |     |   |   |   |   |   |      |      |     |   |   |   |   |   |   |      |     |   |   |   |   |   |   |      |
| 94  | 16,7  | 106,5   | 145,0       | -      | -     | -           | 142,0 |      |  |     |  |   |      |  |  |  |  |  |      |     |  |             |  |  |  |  |     |     |     |     |     |     |   |    |   |        |   |   |   |   |   |    |   |        |   |   |   |   |   |    |       |        |   |   |   |   |       |    |      |       |   |   |   |   |       |    |      |       |   |   |   |   |       |    |      |       |   |   |   |   |       |    |      |       |   |   |   |   |       |    |      |       |   |   |   |   |       |    |      |       |   |   |   |   |       |    |      |       |       |   |   |   |       |    |      |       |       |   |   |   |       |    |      |       |       |   |   |   |       |    |      |       |       |   |   |   |       |    |      |       |       |   |   |   |       |    |      |       |       |   |   |   |       |    |      |       |       |   |   |   |       |    |      |       |       |   |   |   |       |    |      |      |       |       |   |   |       |     |      |      |       |       |   |   |       |     |   |   |       |       |   |   |       |     |   |   |       |       |   |   |       |     |   |   |       |       |   |   |       |     |   |   |      |       |   |   |       |     |   |   |   |       |   |   |       |     |   |   |   |       |       |   |       |     |   |   |   |       |       |   |       |     |   |   |   |       |       |   |       |     |   |   |   |      |       |   |      |     |   |   |   |   |       |   |      |     |   |   |   |   |      |   |      |     |   |   |   |   |      |   |      |     |   |   |   |   |      |      |      |     |   |   |   |   |   |      |      |     |   |   |   |   |   |      |      |     |   |   |   |   |   |      |      |     |   |   |   |   |   |      |      |     |   |   |   |   |   |   |      |     |   |   |   |   |   |   |      |
| 98  | 13,9  | 93,7    | 134,0       | -      | -     | -           | 139,0 |      |  |     |  |   |      |  |  |  |  |  |      |     |  |             |  |  |  |  |     |     |     |     |     |     |   |    |   |        |   |   |   |   |   |    |   |        |   |   |   |   |   |    |       |        |   |   |   |   |       |    |      |       |   |   |   |   |       |    |      |       |   |   |   |   |       |    |      |       |   |   |   |   |       |    |      |       |   |   |   |   |       |    |      |       |   |   |   |   |       |    |      |       |   |   |   |   |       |    |      |       |       |   |   |   |       |    |      |       |       |   |   |   |       |    |      |       |       |   |   |   |       |    |      |       |       |   |   |   |       |    |      |       |       |   |   |   |       |    |      |       |       |   |   |   |       |    |      |       |       |   |   |   |       |    |      |       |       |   |   |   |       |    |      |      |       |       |   |   |       |     |      |      |       |       |   |   |       |     |   |   |       |       |   |   |       |     |   |   |       |       |   |   |       |     |   |   |       |       |   |   |       |     |   |   |      |       |   |   |       |     |   |   |   |       |   |   |       |     |   |   |   |       |       |   |       |     |   |   |   |       |       |   |       |     |   |   |   |       |       |   |       |     |   |   |   |      |       |   |      |     |   |   |   |   |       |   |      |     |   |   |   |   |      |   |      |     |   |   |   |   |      |   |      |     |   |   |   |   |      |      |      |     |   |   |   |   |   |      |      |     |   |   |   |   |   |      |      |     |   |   |   |   |   |      |      |     |   |   |   |   |   |      |      |     |   |   |   |   |   |   |      |     |   |   |   |   |   |   |      |
| 100   | 12,6  | 87,5    | 128,0       | 141,0  | -     | -           | 138,0 |      |  |     |  |   |      |  |  |  |  |  |      |     |  |             |  |  |  |  |     |     |     |     |     |     |   |    |   |        |   |   |   |   |   |    |   |        |   |   |   |   |   |    |       |        |   |   |   |   |       |    |      |       |   |   |   |   |       |    |      |       |   |   |   |   |       |    |      |       |   |   |   |   |       |    |      |       |   |   |   |   |       |    |      |       |   |   |   |   |       |    |      |       |   |   |   |   |       |    |      |       |       |   |   |   |       |    |      |       |       |   |   |   |       |    |      |       |       |   |   |   |       |    |      |       |       |   |   |   |       |    |      |       |       |   |   |   |       |    |      |       |       |   |   |   |       |    |      |       |       |   |   |   |       |    |      |       |       |   |   |   |       |    |      |      |       |       |   |   |       |     |      |      |       |       |   |   |       |     |   |   |       |       |   |   |       |     |   |   |       |       |   |   |       |     |   |   |       |       |   |   |       |     |   |   |      |       |   |   |       |     |   |   |   |       |   |   |       |     |   |   |   |       |       |   |       |     |   |   |   |       |       |   |       |     |   |   |   |       |       |   |       |     |   |   |   |      |       |   |      |     |   |   |   |   |       |   |      |     |   |   |   |   |      |   |      |     |   |   |   |   |      |   |      |     |   |   |   |   |      |      |      |     |   |   |   |   |   |      |      |     |   |   |   |   |   |      |      |     |   |   |   |   |   |      |      |     |   |   |   |   |   |      |      |     |   |   |   |   |   |   |      |     |   |   |   |   |   |   |      |
| 102   | -     | -       | 123,0       | 141,0  | -     | -           | 137,0 |      |  |     |  |   |      |  |  |  |  |  |      |     |  |             |  |  |  |  |     |     |     |     |     |     |   |    |   |        |   |   |   |   |   |    |   |        |   |   |   |   |   |    |       |        |   |   |   |   |       |    |      |       |   |   |   |   |       |    |      |       |   |   |   |   |       |    |      |       |   |   |   |   |       |    |      |       |   |   |   |   |       |    |      |       |   |   |   |   |       |    |      |       |   |   |   |   |       |    |      |       |       |   |   |   |       |    |      |       |       |   |   |   |       |    |      |       |       |   |   |   |       |    |      |       |       |   |   |   |       |    |      |       |       |   |   |   |       |    |      |       |       |   |   |   |       |    |      |       |       |   |   |   |       |    |      |       |       |   |   |   |       |    |      |      |       |       |   |   |       |     |      |      |       |       |   |   |       |     |   |   |       |       |   |   |       |     |   |   |       |       |   |   |       |     |   |   |       |       |   |   |       |     |   |   |      |       |   |   |       |     |   |   |   |       |   |   |       |     |   |   |   |       |       |   |       |     |   |   |   |       |       |   |       |     |   |   |   |       |       |   |       |     |   |   |   |      |       |   |      |     |   |   |   |   |       |   |      |     |   |   |   |   |      |   |      |     |   |   |   |   |      |   |      |     |   |   |   |   |      |      |      |     |   |   |   |   |   |      |      |     |   |   |   |   |   |      |      |     |   |   |   |   |   |      |      |     |   |   |   |   |   |      |      |     |   |   |   |   |   |   |      |     |   |   |   |   |   |   |      |
| 106   | -     | -       | 114,0       | 139,0  | -     | -           | 133,0 |      |  |     |  |   |      |  |  |  |  |  |      |     |  |             |  |  |  |  |     |     |     |     |     |     |   |    |   |        |   |   |   |   |   |    |   |        |   |   |   |   |   |    |       |        |   |   |   |   |       |    |      |       |   |   |   |   |       |    |      |       |   |   |   |   |       |    |      |       |   |   |   |   |       |    |      |       |   |   |   |   |       |    |      |       |   |   |   |   |       |    |      |       |   |   |   |   |       |    |      |       |       |   |   |   |       |    |      |       |       |   |   |   |       |    |      |       |       |   |   |   |       |    |      |       |       |   |   |   |       |    |      |       |       |   |   |   |       |    |      |       |       |   |   |   |       |    |      |       |       |   |   |   |       |    |      |       |       |   |   |   |       |    |      |      |       |       |   |   |       |     |      |      |       |       |   |   |       |     |   |   |       |       |   |   |       |     |   |   |       |       |   |   |       |     |   |   |       |       |   |   |       |     |   |   |      |       |   |   |       |     |   |   |   |       |   |   |       |     |   |   |   |       |       |   |       |     |   |   |   |       |       |   |       |     |   |   |   |       |       |   |       |     |   |   |   |      |       |   |      |     |   |   |   |   |       |   |      |     |   |   |   |   |      |   |      |     |   |   |   |   |      |   |      |     |   |   |   |   |      |      |      |     |   |   |   |   |   |      |      |     |   |   |   |   |   |      |      |     |   |   |   |   |   |      |      |     |   |   |   |   |   |      |      |     |   |   |   |   |   |   |      |     |   |   |   |   |   |   |      |
| 110   | -     | -       | 106,0       | 131,0  | -     | -           | 123,0 |      |  |     |  |   |      |  |  |  |  |  |      |     |  |             |  |  |  |  |     |     |     |     |     |     |   |    |   |        |   |   |   |   |   |    |   |        |   |   |   |   |   |    |       |        |   |   |   |   |       |    |      |       |   |   |   |   |       |    |      |       |   |   |   |   |       |    |      |       |   |   |   |   |       |    |      |       |   |   |   |   |       |    |      |       |   |   |   |   |       |    |      |       |   |   |   |   |       |    |      |       |       |   |   |   |       |    |      |       |       |   |   |   |       |    |      |       |       |   |   |   |       |    |      |       |       |   |   |   |       |    |      |       |       |   |   |   |       |    |      |       |       |   |   |   |       |    |      |       |       |   |   |   |       |    |      |       |       |   |   |   |       |    |      |      |       |       |   |   |       |     |      |      |       |       |   |   |       |     |   |   |       |       |   |   |       |     |   |   |       |       |   |   |       |     |   |   |       |       |   |   |       |     |   |   |      |       |   |   |       |     |   |   |   |       |   |   |       |     |   |   |   |       |       |   |       |     |   |   |   |       |       |   |       |     |   |   |   |       |       |   |       |     |   |   |   |      |       |   |      |     |   |   |   |   |       |   |      |     |   |   |   |   |      |   |      |     |   |   |   |   |      |   |      |     |   |   |   |   |      |      |      |     |   |   |   |   |   |      |      |     |   |   |   |   |   |      |      |     |   |   |   |   |   |      |      |     |   |   |   |   |   |      |      |     |   |   |   |   |   |   |      |     |   |   |   |   |   |   |      |
| 114   | -     | -       | 94,5        | 125,0  | -     | -           | 115,0 |      |  |     |  |   |      |  |  |  |  |  |      |     |  |             |  |  |  |  |     |     |     |     |     |     |   |    |   |        |   |   |   |   |   |    |   |        |   |   |   |   |   |    |       |        |   |   |   |   |       |    |      |       |   |   |   |   |       |    |      |       |   |   |   |   |       |    |      |       |   |   |   |   |       |    |      |       |   |   |   |   |       |    |      |       |   |   |   |   |       |    |      |       |   |   |   |   |       |    |      |       |       |   |   |   |       |    |      |       |       |   |   |   |       |    |      |       |       |   |   |   |       |    |      |       |       |   |   |   |       |    |      |       |       |   |   |   |       |    |      |       |       |   |   |   |       |    |      |       |       |   |   |   |       |    |      |       |       |   |   |   |       |    |      |      |       |       |   |   |       |     |      |      |       |       |   |   |       |     |   |   |       |       |   |   |       |     |   |   |       |       |   |   |       |     |   |   |       |       |   |   |       |     |   |   |      |       |   |   |       |     |   |   |   |       |   |   |       |     |   |   |   |       |       |   |       |     |   |   |   |       |       |   |       |     |   |   |   |       |       |   |       |     |   |   |   |      |       |   |      |     |   |   |   |   |       |   |      |     |   |   |   |   |      |   |      |     |   |   |   |   |      |   |      |     |   |   |   |   |      |      |      |     |   |   |   |   |   |      |      |     |   |   |   |   |   |      |      |     |   |   |   |   |   |      |      |     |   |   |   |   |   |      |      |     |   |   |   |   |   |   |      |     |   |   |   |   |   |   |      |
| 118   | -     | -       | -           | 116,0  | -     | -           | 106,0 |      |  |     |  |   |      |  |  |  |  |  |      |     |  |             |  |  |  |  |     |     |     |     |     |     |   |    |   |        |   |   |   |   |   |    |   |        |   |   |   |   |   |    |       |        |   |   |   |   |       |    |      |       |   |   |   |   |       |    |      |       |   |   |   |   |       |    |      |       |   |   |   |   |       |    |      |       |   |   |   |   |       |    |      |       |   |   |   |   |       |    |      |       |   |   |   |   |       |    |      |       |       |   |   |   |       |    |      |       |       |   |   |   |       |    |      |       |       |   |   |   |       |    |      |       |       |   |   |   |       |    |      |       |       |   |   |   |       |    |      |       |       |   |   |   |       |    |      |       |       |   |   |   |       |    |      |       |       |   |   |   |       |    |      |      |       |       |   |   |       |     |      |      |       |       |   |   |       |     |   |   |       |       |   |   |       |     |   |   |       |       |   |   |       |     |   |   |       |       |   |   |       |     |   |   |      |       |   |   |       |     |   |   |   |       |   |   |       |     |   |   |   |       |       |   |       |     |   |   |   |       |       |   |       |     |   |   |   |       |       |   |       |     |   |   |   |      |       |   |      |     |   |   |   |   |       |   |      |     |   |   |   |   |      |   |      |     |   |   |   |   |      |   |      |     |   |   |   |   |      |      |      |     |   |   |   |   |   |      |      |     |   |   |   |   |   |      |      |     |   |   |   |   |   |      |      |     |   |   |   |   |   |      |      |     |   |   |   |   |   |   |      |     |   |   |   |   |   |   |      |
| 122   | -     | -       | -           | 108,0  | -     | -           | 99,0  |      |  |     |  |   |      |  |  |  |  |  |      |     |  |             |  |  |  |  |     |     |     |     |     |     |   |    |   |        |   |   |   |   |   |    |   |        |   |   |   |   |   |    |       |        |   |   |   |   |       |    |      |       |   |   |   |   |       |    |      |       |   |   |   |   |       |    |      |       |   |   |   |   |       |    |      |       |   |   |   |   |       |    |      |       |   |   |   |   |       |    |      |       |   |   |   |   |       |    |      |       |       |   |   |   |       |    |      |       |       |   |   |   |       |    |      |       |       |   |   |   |       |    |      |       |       |   |   |   |       |    |      |       |       |   |   |   |       |    |      |       |       |   |   |   |       |    |      |       |       |   |   |   |       |    |      |       |       |   |   |   |       |    |      |      |       |       |   |   |       |     |      |      |       |       |   |   |       |     |   |   |       |       |   |   |       |     |   |   |       |       |   |   |       |     |   |   |       |       |   |   |       |     |   |   |      |       |   |   |       |     |   |   |   |       |   |   |       |     |   |   |   |       |       |   |       |     |   |   |   |       |       |   |       |     |   |   |   |       |       |   |       |     |   |   |   |      |       |   |      |     |   |   |   |   |       |   |      |     |   |   |   |   |      |   |      |     |   |   |   |   |      |   |      |     |   |   |   |   |      |      |      |     |   |   |   |   |   |      |      |     |   |   |   |   |   |      |      |     |   |   |   |   |   |      |      |     |   |   |   |   |   |      |      |     |   |   |   |   |   |   |      |     |   |   |   |   |   |   |      |
| 124   | -     | -       | -           | 104,0  | 97,0  | -           | 95,0  |      |  |     |  |   |      |  |  |  |  |  |      |     |  |             |  |  |  |  |     |     |     |     |     |     |   |    |   |        |   |   |   |   |   |    |   |        |   |   |   |   |   |    |       |        |   |   |   |   |       |    |      |       |   |   |   |   |       |    |      |       |   |   |   |   |       |    |      |       |   |   |   |   |       |    |      |       |   |   |   |   |       |    |      |       |   |   |   |   |       |    |      |       |   |   |   |   |       |    |      |       |       |   |   |   |       |    |      |       |       |   |   |   |       |    |      |       |       |   |   |   |       |    |      |       |       |   |   |   |       |    |      |       |       |   |   |   |       |    |      |       |       |   |   |   |       |    |      |       |       |   |   |   |       |    |      |       |       |   |   |   |       |    |      |      |       |       |   |   |       |     |      |      |       |       |   |   |       |     |   |   |       |       |   |   |       |     |   |   |       |       |   |   |       |     |   |   |       |       |   |   |       |     |   |   |      |       |   |   |       |     |   |   |   |       |   |   |       |     |   |   |   |       |       |   |       |     |   |   |   |       |       |   |       |     |   |   |   |       |       |   |       |     |   |   |   |      |       |   |      |     |   |   |   |   |       |   |      |     |   |   |   |   |      |   |      |     |   |   |   |   |      |   |      |     |   |   |   |   |      |      |      |     |   |   |   |   |   |      |      |     |   |   |   |   |   |      |      |     |   |   |   |   |   |      |      |     |   |   |   |   |   |      |      |     |   |   |   |   |   |   |      |     |   |   |   |   |   |   |      |
| 126   | -     | -       | -           | 100,0  | 94,5  | -           | 91,0  |      |  |     |  |   |      |  |  |  |  |  |      |     |  |             |  |  |  |  |     |     |     |     |     |     |   |    |   |        |   |   |   |   |   |    |   |        |   |   |   |   |   |    |       |        |   |   |   |   |       |    |      |       |   |   |   |   |       |    |      |       |   |   |   |   |       |    |      |       |   |   |   |   |       |    |      |       |   |   |   |   |       |    |      |       |   |   |   |   |       |    |      |       |   |   |   |   |       |    |      |       |       |   |   |   |       |    |      |       |       |   |   |   |       |    |      |       |       |   |   |   |       |    |      |       |       |   |   |   |       |    |      |       |       |   |   |   |       |    |      |       |       |   |   |   |       |    |      |       |       |   |   |   |       |    |      |       |       |   |   |   |       |    |      |      |       |       |   |   |       |     |      |      |       |       |   |   |       |     |   |   |       |       |   |   |       |     |   |   |       |       |   |   |       |     |   |   |       |       |   |   |       |     |   |   |      |       |   |   |       |     |   |   |   |       |   |   |       |     |   |   |   |       |       |   |       |     |   |   |   |       |       |   |       |     |   |   |   |       |       |   |       |     |   |   |   |      |       |   |      |     |   |   |   |   |       |   |      |     |   |   |   |   |      |   |      |     |   |   |   |   |      |   |      |     |   |   |   |   |      |      |      |     |   |   |   |   |   |      |      |     |   |   |   |   |   |      |      |     |   |   |   |   |   |      |      |     |   |   |   |   |   |      |      |     |   |   |   |   |   |   |      |     |   |   |   |   |   |   |      |
| 128   | -     | -       | -           | 96,5   | 92,0  | -           | 86,2  |      |  |     |  |   |      |  |  |  |  |  |      |     |  |             |  |  |  |  |     |     |     |     |     |     |   |    |   |        |   |   |   |   |   |    |   |        |   |   |   |   |   |    |       |        |   |   |   |   |       |    |      |       |   |   |   |   |       |    |      |       |   |   |   |   |       |    |      |       |   |   |   |   |       |    |      |       |   |   |   |   |       |    |      |       |   |   |   |   |       |    |      |       |   |   |   |   |       |    |      |       |       |   |   |   |       |    |      |       |       |   |   |   |       |    |      |       |       |   |   |   |       |    |      |       |       |   |   |   |       |    |      |       |       |   |   |   |       |    |      |       |       |   |   |   |       |    |      |       |       |   |   |   |       |    |      |       |       |   |   |   |       |    |      |      |       |       |   |   |       |     |      |      |       |       |   |   |       |     |   |   |       |       |   |   |       |     |   |   |       |       |   |   |       |     |   |   |       |       |   |   |       |     |   |   |      |       |   |   |       |     |   |   |   |       |   |   |       |     |   |   |   |       |       |   |       |     |   |   |   |       |       |   |       |     |   |   |   |       |       |   |       |     |   |   |   |      |       |   |      |     |   |   |   |   |       |   |      |     |   |   |   |   |      |   |      |     |   |   |   |   |      |   |      |     |   |   |   |   |      |      |      |     |   |   |   |   |   |      |      |     |   |   |   |   |   |      |      |     |   |   |   |   |   |      |      |     |   |   |   |   |   |      |      |     |   |   |   |   |   |   |      |     |   |   |   |   |   |   |      |
| 130   | -     | -       | -           | -      | 90,0  | -           | 81,5  |      |  |     |  |   |      |  |  |  |  |  |      |     |  |             |  |  |  |  |     |     |     |     |     |     |   |    |   |        |   |   |   |   |   |    |   |        |   |   |   |   |   |    |       |        |   |   |   |   |       |    |      |       |   |   |   |   |       |    |      |       |   |   |   |   |       |    |      |       |   |   |   |   |       |    |      |       |   |   |   |   |       |    |      |       |   |   |   |   |       |    |      |       |   |   |   |   |       |    |      |       |       |   |   |   |       |    |      |       |       |   |   |   |       |    |      |       |       |   |   |   |       |    |      |       |       |   |   |   |       |    |      |       |       |   |   |   |       |    |      |       |       |   |   |   |       |    |      |       |       |   |   |   |       |    |      |       |       |   |   |   |       |    |      |      |       |       |   |   |       |     |      |      |       |       |   |   |       |     |   |   |       |       |   |   |       |     |   |   |       |       |   |   |       |     |   |   |       |       |   |   |       |     |   |   |      |       |   |   |       |     |   |   |   |       |   |   |       |     |   |   |   |       |       |   |       |     |   |   |   |       |       |   |       |     |   |   |   |       |       |   |       |     |   |   |   |      |       |   |      |     |   |   |   |   |       |   |      |     |   |   |   |   |      |   |      |     |   |   |   |   |      |   |      |     |   |   |   |   |      |      |      |     |   |   |   |   |   |      |      |     |   |   |   |   |   |      |      |     |   |   |   |   |   |      |      |     |   |   |   |   |   |      |      |     |   |   |   |   |   |   |      |     |   |   |   |   |   |   |      |
| 134   | -     | -       | -           | -      | 85,5  | -           | 72,5  |      |  |     |  |   |      |  |  |  |  |  |      |     |  |             |  |  |  |  |     |     |     |     |     |     |   |    |   |        |   |   |   |   |   |    |   |        |   |   |   |   |   |    |       |        |   |   |   |   |       |    |      |       |   |   |   |   |       |    |      |       |   |   |   |   |       |    |      |       |   |   |   |   |       |    |      |       |   |   |   |   |       |    |      |       |   |   |   |   |       |    |      |       |   |   |   |   |       |    |      |       |       |   |   |   |       |    |      |       |       |   |   |   |       |    |      |       |       |   |   |   |       |    |      |       |       |   |   |   |       |    |      |       |       |   |   |   |       |    |      |       |       |   |   |   |       |    |      |       |       |   |   |   |       |    |      |       |       |   |   |   |       |    |      |      |       |       |   |   |       |     |      |      |       |       |   |   |       |     |   |   |       |       |   |   |       |     |   |   |       |       |   |   |       |     |   |   |       |       |   |   |       |     |   |   |      |       |   |   |       |     |   |   |   |       |   |   |       |     |   |   |   |       |       |   |       |     |   |   |   |       |       |   |       |     |   |   |   |       |       |   |       |     |   |   |   |      |       |   |      |     |   |   |   |   |       |   |      |     |   |   |   |   |      |   |      |     |   |   |   |   |      |   |      |     |   |   |   |   |      |      |      |     |   |   |   |   |   |      |      |     |   |   |   |   |   |      |      |     |   |   |   |   |   |      |      |     |   |   |   |   |   |      |      |     |   |   |   |   |   |   |      |     |   |   |   |   |   |   |      |
| 138   | -     | -       | -           | -      | 81,0  | -           | 63,5  |      |  |     |  |   |      |  |  |  |  |  |      |     |  |             |  |  |  |  |     |     |     |     |     |     |   |    |   |        |   |   |   |   |   |    |   |        |   |   |   |   |   |    |       |        |   |   |   |   |       |    |      |       |   |   |   |   |       |    |      |       |   |   |   |   |       |    |      |       |   |   |   |   |       |    |      |       |   |   |   |   |       |    |      |       |   |   |   |   |       |    |      |       |   |   |   |   |       |    |      |       |       |   |   |   |       |    |      |       |       |   |   |   |       |    |      |       |       |   |   |   |       |    |      |       |       |   |   |   |       |    |      |       |       |   |   |   |       |    |      |       |       |   |   |   |       |    |      |       |       |   |   |   |       |    |      |       |       |   |   |   |       |    |      |      |       |       |   |   |       |     |      |      |       |       |   |   |       |     |   |   |       |       |   |   |       |     |   |   |       |       |   |   |       |     |   |   |       |       |   |   |       |     |   |   |      |       |   |   |       |     |   |   |   |       |   |   |       |     |   |   |   |       |       |   |       |     |   |   |   |       |       |   |       |     |   |   |   |       |       |   |       |     |   |   |   |      |       |   |      |     |   |   |   |   |       |   |      |     |   |   |   |   |      |   |      |     |   |   |   |   |      |   |      |     |   |   |   |   |      |      |      |     |   |   |   |   |   |      |      |     |   |   |   |   |   |      |      |     |   |   |   |   |   |      |      |     |   |   |   |   |   |      |      |     |   |   |   |   |   |   |      |     |   |   |   |   |   |   |      |
| 140   | -     | -       | -           | -      | 79,0  | -           | 59,2  |      |  |     |  |   |      |  |  |  |  |  |      |     |  |             |  |  |  |  |     |     |     |     |     |     |   |    |   |        |   |   |   |   |   |    |   |        |   |   |   |   |   |    |       |        |   |   |   |   |       |    |      |       |   |   |   |   |       |    |      |       |   |   |   |   |       |    |      |       |   |   |   |   |       |    |      |       |   |   |   |   |       |    |      |       |   |   |   |   |       |    |      |       |   |   |   |   |       |    |      |       |       |   |   |   |       |    |      |       |       |   |   |   |       |    |      |       |       |   |   |   |       |    |      |       |       |   |   |   |       |    |      |       |       |   |   |   |       |    |      |       |       |   |   |   |       |    |      |       |       |   |   |   |       |    |      |       |       |   |   |   |       |    |      |      |       |       |   |   |       |     |      |      |       |       |   |   |       |     |   |   |       |       |   |   |       |     |   |   |       |       |   |   |       |     |   |   |       |       |   |   |       |     |   |   |      |       |   |   |       |     |   |   |   |       |   |   |       |     |   |   |   |       |       |   |       |     |   |   |   |       |       |   |       |     |   |   |   |       |       |   |       |     |   |   |   |      |       |   |      |     |   |   |   |   |       |   |      |     |   |   |   |   |      |   |      |     |   |   |   |   |      |   |      |     |   |   |   |   |      |      |      |     |   |   |   |   |   |      |      |     |   |   |   |   |   |      |      |     |   |   |   |   |   |      |      |     |   |   |   |   |   |      |      |     |   |   |   |   |   |   |      |     |   |   |   |   |   |   |      |
| 142   | -     | -       | -           | -      | -     | -           | 55,0  |      |  |     |  |   |      |  |  |  |  |  |      |     |  |             |  |  |  |  |     |     |     |     |     |     |   |    |   |        |   |   |   |   |   |    |   |        |   |   |   |   |   |    |       |        |   |   |   |   |       |    |      |       |   |   |   |   |       |    |      |       |   |   |   |   |       |    |      |       |   |   |   |   |       |    |      |       |   |   |   |   |       |    |      |       |   |   |   |   |       |    |      |       |   |   |   |   |       |    |      |       |       |   |   |   |       |    |      |       |       |   |   |   |       |    |      |       |       |   |   |   |       |    |      |       |       |   |   |   |       |    |      |       |       |   |   |   |       |    |      |       |       |   |   |   |       |    |      |       |       |   |   |   |       |    |      |       |       |   |   |   |       |    |      |      |       |       |   |   |       |     |      |      |       |       |   |   |       |     |   |   |       |       |   |   |       |     |   |   |       |       |   |   |       |     |   |   |       |       |   |   |       |     |   |   |      |       |   |   |       |     |   |   |   |       |   |   |       |     |   |   |   |       |       |   |       |     |   |   |   |       |       |   |       |     |   |   |   |       |       |   |       |     |   |   |   |      |       |   |      |     |   |   |   |   |       |   |      |     |   |   |   |   |      |   |      |     |   |   |   |   |      |   |      |     |   |   |   |   |      |      |      |     |   |   |   |   |   |      |      |     |   |   |   |   |   |      |      |     |   |   |   |   |   |      |      |     |   |   |   |   |   |      |      |     |   |   |   |   |   |   |      |     |   |   |   |   |   |   |      |
| 144   | -     | -       | -           | -      | -     | 53,0        | 51,0  |      |  |     |  |   |      |  |  |  |  |  |      |     |  |             |  |  |  |  |     |     |     |     |     |     |   |    |   |        |   |   |   |   |   |    |   |        |   |   |   |   |   |    |       |        |   |   |   |   |       |    |      |       |   |   |   |   |       |    |      |       |   |   |   |   |       |    |      |       |   |   |   |   |       |    |      |       |   |   |   |   |       |    |      |       |   |   |   |   |       |    |      |       |   |   |   |   |       |    |      |       |       |   |   |   |       |    |      |       |       |   |   |   |       |    |      |       |       |   |   |   |       |    |      |       |       |   |   |   |       |    |      |       |       |   |   |   |       |    |      |       |       |   |   |   |       |    |      |       |       |   |   |   |       |    |      |       |       |   |   |   |       |    |      |      |       |       |   |   |       |     |      |      |       |       |   |   |       |     |   |   |       |       |   |   |       |     |   |   |       |       |   |   |       |     |   |   |       |       |   |   |       |     |   |   |      |       |   |   |       |     |   |   |   |       |   |   |       |     |   |   |   |       |       |   |       |     |   |   |   |       |       |   |       |     |   |   |   |       |       |   |       |     |   |   |   |      |       |   |      |     |   |   |   |   |       |   |      |     |   |   |   |   |      |   |      |     |   |   |   |   |      |   |      |     |   |   |   |   |      |      |      |     |   |   |   |   |   |      |      |     |   |   |   |   |   |      |      |     |   |   |   |   |   |      |      |     |   |   |   |   |   |      |      |     |   |   |   |   |   |   |      |     |   |   |   |   |   |   |      |
| 146   | -     | -       | -           | -      | -     | 51,5        | 47,1  |      |  |     |  |   |      |  |  |  |  |  |      |     |  |             |  |  |  |  |     |     |     |     |     |     |   |    |   |        |   |   |   |   |   |    |   |        |   |   |   |   |   |    |       |        |   |   |   |   |       |    |      |       |   |   |   |   |       |    |      |       |   |   |   |   |       |    |      |       |   |   |   |   |       |    |      |       |   |   |   |   |       |    |      |       |   |   |   |   |       |    |      |       |   |   |   |   |       |    |      |       |       |   |   |   |       |    |      |       |       |   |   |   |       |    |      |       |       |   |   |   |       |    |      |       |       |   |   |   |       |    |      |       |       |   |   |   |       |    |      |       |       |   |   |   |       |    |      |       |       |   |   |   |       |    |      |       |       |   |   |   |       |    |      |      |       |       |   |   |       |     |      |      |       |       |   |   |       |     |   |   |       |       |   |   |       |     |   |   |       |       |   |   |       |     |   |   |       |       |   |   |       |     |   |   |      |       |   |   |       |     |   |   |   |       |   |   |       |     |   |   |   |       |       |   |       |     |   |   |   |       |       |   |       |     |   |   |   |       |       |   |       |     |   |   |   |      |       |   |      |     |   |   |   |   |       |   |      |     |   |   |   |   |      |   |      |     |   |   |   |   |      |   |      |     |   |   |   |   |      |      |      |     |   |   |   |   |   |      |      |     |   |   |   |   |   |      |      |     |   |   |   |   |   |      |      |     |   |   |   |   |   |      |      |     |   |   |   |   |   |   |      |     |   |   |   |   |   |   |      |
| 150   | -     | -       | -           | -      | -     | 48,8        | 41,1  |      |  |     |  |   |      |  |  |  |  |  |      |     |  |             |  |  |  |  |     |     |     |     |     |     |   |    |   |        |   |   |   |   |   |    |   |        |   |   |   |   |   |    |       |        |   |   |   |   |       |    |      |       |   |   |   |   |       |    |      |       |   |   |   |   |       |    |      |       |   |   |   |   |       |    |      |       |   |   |   |   |       |    |      |       |   |   |   |   |       |    |      |       |   |   |   |   |       |    |      |       |       |   |   |   |       |    |      |       |       |   |   |   |       |    |      |       |       |   |   |   |       |    |      |       |       |   |   |   |       |    |      |       |       |   |   |   |       |    |      |       |       |   |   |   |       |    |      |       |       |   |   |   |       |    |      |       |       |   |   |   |       |    |      |      |       |       |   |   |       |     |      |      |       |       |   |   |       |     |   |   |       |       |   |   |       |     |   |   |       |       |   |   |       |     |   |   |       |       |   |   |       |     |   |   |      |       |   |   |       |     |   |   |   |       |   |   |       |     |   |   |   |       |       |   |       |     |   |   |   |       |       |   |       |     |   |   |   |       |       |   |       |     |   |   |   |      |       |   |      |     |   |   |   |   |       |   |      |     |   |   |   |   |      |   |      |     |   |   |   |   |      |   |      |     |   |   |   |   |      |      |      |     |   |   |   |   |   |      |      |     |   |   |   |   |   |      |      |     |   |   |   |   |   |      |      |     |   |   |   |   |   |      |      |     |   |   |   |   |   |   |      |     |   |   |   |   |   |   |      |
| 154   | -     | -       | -           | -      | -     | -           | 37,1  |      |  |     |  |   |      |  |  |  |  |  |      |     |  |             |  |  |  |  |     |     |     |     |     |     |   |    |   |        |   |   |   |   |   |    |   |        |   |   |   |   |   |    |       |        |   |   |   |   |       |    |      |       |   |   |   |   |       |    |      |       |   |   |   |   |       |    |      |       |   |   |   |   |       |    |      |       |   |   |   |   |       |    |      |       |   |   |   |   |       |    |      |       |   |   |   |   |       |    |      |       |       |   |   |   |       |    |      |       |       |   |   |   |       |    |      |       |       |   |   |   |       |    |      |       |       |   |   |   |       |    |      |       |       |   |   |   |       |    |      |       |       |   |   |   |       |    |      |       |       |   |   |   |       |    |      |       |       |   |   |   |       |    |      |      |       |       |   |   |       |     |      |      |       |       |   |   |       |     |   |   |       |       |   |   |       |     |   |   |       |       |   |   |       |     |   |   |       |       |   |   |       |     |   |   |      |       |   |   |       |     |   |   |   |       |   |   |       |     |   |   |   |       |       |   |       |     |   |   |   |       |       |   |       |     |   |   |   |       |       |   |       |     |   |   |   |      |       |   |      |     |   |   |   |   |       |   |      |     |   |   |   |   |      |   |      |     |   |   |   |   |      |   |      |     |   |   |   |   |      |      |      |     |   |   |   |   |   |      |      |     |   |   |   |   |   |      |      |     |   |   |   |   |   |      |      |     |   |   |   |   |   |      |      |     |   |   |   |   |   |   |      |     |   |   |   |   |   |   |      |
| 158   | -     | -       | -           | -      | -     | -           | 29,2  |      |  |     |  |   |      |  |  |  |  |  |      |     |  |             |  |  |  |  |     |     |     |     |     |     |   |    |   |        |   |   |   |   |   |    |   |        |   |   |   |   |   |    |       |        |   |   |   |   |       |    |      |       |   |   |   |   |       |    |      |       |   |   |   |   |       |    |      |       |   |   |   |   |       |    |      |       |   |   |   |   |       |    |      |       |   |   |   |   |       |    |      |       |   |   |   |   |       |    |      |       |       |   |   |   |       |    |      |       |       |   |   |   |       |    |      |       |       |   |   |   |       |    |      |       |       |   |   |   |       |    |      |       |       |   |   |   |       |    |      |       |       |   |   |   |       |    |      |       |       |   |   |   |       |    |      |       |       |   |   |   |       |    |      |      |       |       |   |   |       |     |      |      |       |       |   |   |       |     |   |   |       |       |   |   |       |     |   |   |       |       |   |   |       |     |   |   |       |       |   |   |       |     |   |   |      |       |   |   |       |     |   |   |   |       |   |   |       |     |   |   |   |       |       |   |       |     |   |   |   |       |       |   |       |     |   |   |   |       |       |   |       |     |   |   |   |      |       |   |      |     |   |   |   |   |       |   |      |     |   |   |   |   |      |   |      |     |   |   |   |   |      |   |      |     |   |   |   |   |      |      |      |     |   |   |   |   |   |      |      |     |   |   |   |   |   |      |      |     |   |   |   |   |   |      |      |     |   |   |   |   |   |      |      |     |   |   |   |   |   |   |      |     |   |   |   |   |   |   |      |

6 m steps of luffing jib is standard · 6 m Stufung der Wippe ist Standard · Des paliers de 6 m sont de série pour la fléchette

Main boom angle 88°, 85°, 75°, 65°, 55° and 45°; capacities for intermediate boom positions are calculated by the crane control system IC-1  
 Hauptauslegerwinkel 88°, 85°, 75°, 65°, 55° und 45°; Traglasten für Zwischenstellungen des Hauptauslegers werden von der Kransteuerung IC-1 berechnet

Jarret de flèche principale 88°, 85°, 75°, 65°, 55° et 45° ; le système de commande de la grue IC-1 calcule les charges pour les positions intermédiaires de la flèche

\* Main boom angle 88° · Hauptauslegerwinkel 88° · Jarret de flèche principale 88°



| 295 t + 60 t ZB  |       | 19-30 m |       | 10,5 m |      | 9.8 m/s     |   | 360° |       | ISO   |             |      |  |  |  |  |  |  |  |  |  |  |      |     |  |  |  |  |  |  |  |  |  |  |             |  |     |     |     |     |     |     |  |  |  |  |  |   |   |   |   |   |   |   |   |   |   |   |   |    |   |        |   |   |   |   |   |   |   |   |   |    |   |        |   |   |   |   |   |   |   |   |   |    |   |        |   |   |   |   |   |   |   |   |   |    |       |       |   |   |   |   |   |   |   |       |   |    |       |       |   |   |   |   |   |   |   |       |   |    |       |       |   |   |   |   |   |   |   |       |   |    |       |       |   |   |   |   |   |   |   |       |   |    |       |       |   |   |   |   |   |   |   |       |   |    |       |       |   |   |   |   |   |   |   |       |   |    |       |       |   |   |   |   |   |   |   |       |   |    |      |       |       |   |   |   |   |   |   |       |   |    |      |       |       |   |   |   |   |   |   |       |   |    |      |       |       |   |   |   |   |   |   |       |   |    |      |       |       |   |   |   |   |   |   |       |   |    |      |       |       |   |   |   |   |   |   |       |   |    |      |       |       |   |   |   |   |   |   |       |   |    |   |      |       |       |   |   |   |   |   |       |   |    |   |      |       |       |   |   |   |   |   |       |   |     |   |      |       |       |   |   |   |   |   |       |   |     |   |      |       |       |   |   |   |   |   |       |   |     |   |      |       |       |   |   |   |   |   |       |   |     |   |      |       |       |   |   |   |   |   |       |   |     |   |      |      |       |   |       |   |   |   |       |   |     |   |   |      |       |   |       |   |   |   |       |   |     |   |   |      |       |   |       |   |   |   |       |   |     |   |   |      |       |   |   |   |   |   |       |   |     |   |   |      |      |   |   |   |   |   |       |   |     |   |   |   |      |   |   |   |   |       |       |   |     |   |   |   |      |      |   |   |   |       |       |   |     |   |   |   |      |      |   |   |   |   |       |   |     |   |   |   |   |      |   |   |   |   |       |   |     |   |   |   |   |      |   |   |   |   |       |   |     |   |   |   |   |      |   |   |   |   |      |   |     |   |   |   |   |   |   |   |   |   |      |      |     |   |   |   |   |   |   |   |   |   |      |      |     |   |   |   |   |   |   |   |   |   |      |      |     |   |   |   |   |   |   |   |   |   |   |      |     |   |   |   |   |   |   |   |   |   |   |      |     |   |   |   |   |   |   |   |   |   |   |      |
|--|-------|---------|-------|--------|------|-------------|---|------|-------|-------|-------------|------|--|--|--|--|--|--|--|--|--|--|------|-----|--|--|--|--|--|--|--|--|--|--|-------------|--|-----|-----|-----|-----|-----|-----|--|--|--|--|--|---|---|---|---|---|---|---|---|---|---|---|---|----|---|--------|---|---|---|---|---|---|---|---|---|----|---|--------|---|---|---|---|---|---|---|---|---|----|---|--------|---|---|---|---|---|---|---|---|---|----|-------|-------|---|---|---|---|---|---|---|-------|---|----|-------|-------|---|---|---|---|---|---|---|-------|---|----|-------|-------|---|---|---|---|---|---|---|-------|---|----|-------|-------|---|---|---|---|---|---|---|-------|---|----|-------|-------|---|---|---|---|---|---|---|-------|---|----|-------|-------|---|---|---|---|---|---|---|-------|---|----|-------|-------|---|---|---|---|---|---|---|-------|---|----|------|-------|-------|---|---|---|---|---|---|-------|---|----|------|-------|-------|---|---|---|---|---|---|-------|---|----|------|-------|-------|---|---|---|---|---|---|-------|---|----|------|-------|-------|---|---|---|---|---|---|-------|---|----|------|-------|-------|---|---|---|---|---|---|-------|---|----|------|-------|-------|---|---|---|---|---|---|-------|---|----|---|------|-------|-------|---|---|---|---|---|-------|---|----|---|------|-------|-------|---|---|---|---|---|-------|---|-----|---|------|-------|-------|---|---|---|---|---|-------|---|-----|---|------|-------|-------|---|---|---|---|---|-------|---|-----|---|------|-------|-------|---|---|---|---|---|-------|---|-----|---|------|-------|-------|---|---|---|---|---|-------|---|-----|---|------|------|-------|---|-------|---|---|---|-------|---|-----|---|---|------|-------|---|-------|---|---|---|-------|---|-----|---|---|------|-------|---|-------|---|---|---|-------|---|-----|---|---|------|-------|---|---|---|---|---|-------|---|-----|---|---|------|------|---|---|---|---|---|-------|---|-----|---|---|---|------|---|---|---|---|-------|-------|---|-----|---|---|---|------|------|---|---|---|-------|-------|---|-----|---|---|---|------|------|---|---|---|---|-------|---|-----|---|---|---|---|------|---|---|---|---|-------|---|-----|---|---|---|---|------|---|---|---|---|-------|---|-----|---|---|---|---|------|---|---|---|---|------|---|-----|---|---|---|---|---|---|---|---|---|------|------|-----|---|---|---|---|---|---|---|---|---|------|------|-----|---|---|---|---|---|---|---|---|---|------|------|-----|---|---|---|---|---|---|---|---|---|---|------|-----|---|---|---|---|---|---|---|---|---|---|------|-----|---|---|---|---|---|---|---|---|---|---|------|
| 78 m + 108 m   |       |         |       |        |      | 84 m + 36 m |   |      |       |       |             |      |  |  |  |  |  |  |  |  |  |  |      |     |  |  |  |  |  |  |  |  |  |  |             |  |     |     |     |     |     |     |  |  |  |  |  |   |   |   |   |   |   |   |   |   |   |   |   |    |   |        |   |   |   |   |   |   |   |   |   |    |   |        |   |   |   |   |   |   |   |   |   |    |   |        |   |   |   |   |   |   |   |   |   |    |       |       |   |   |   |   |   |   |   |       |   |    |       |       |   |   |   |   |   |   |   |       |   |    |       |       |   |   |   |   |   |   |   |       |   |    |       |       |   |   |   |   |   |   |   |       |   |    |       |       |   |   |   |   |   |   |   |       |   |    |       |       |   |   |   |   |   |   |   |       |   |    |       |       |   |   |   |   |   |   |   |       |   |    |      |       |       |   |   |   |   |   |   |       |   |    |      |       |       |   |   |   |   |   |   |       |   |    |      |       |       |   |   |   |   |   |   |       |   |    |      |       |       |   |   |   |   |   |   |       |   |    |      |       |       |   |   |   |   |   |   |       |   |    |      |       |       |   |   |   |   |   |   |       |   |    |   |      |       |       |   |   |   |   |   |       |   |    |   |      |       |       |   |   |   |   |   |       |   |     |   |      |       |       |   |   |   |   |   |       |   |     |   |      |       |       |   |   |   |   |   |       |   |     |   |      |       |       |   |   |   |   |   |       |   |     |   |      |       |       |   |   |   |   |   |       |   |     |   |      |      |       |   |       |   |   |   |       |   |     |   |   |      |       |   |       |   |   |   |       |   |     |   |   |      |       |   |       |   |   |   |       |   |     |   |   |      |       |   |   |   |   |   |       |   |     |   |   |      |      |   |   |   |   |   |       |   |     |   |   |   |      |   |   |   |   |       |       |   |     |   |   |   |      |      |   |   |   |       |       |   |     |   |   |   |      |      |   |   |   |   |       |   |     |   |   |   |   |      |   |   |   |   |       |   |     |   |   |   |   |      |   |   |   |   |       |   |     |   |   |   |   |      |   |   |   |   |      |   |     |   |   |   |   |   |   |   |   |   |      |      |     |   |   |   |   |   |   |   |   |   |      |      |     |   |   |   |   |   |   |   |   |   |      |      |     |   |   |   |   |   |   |   |   |   |   |      |     |   |   |   |   |   |   |   |   |   |   |      |     |   |   |   |   |   |   |   |   |   |   |      |
| <table border="1"> <thead> <tr> <th colspan="11">SWSL</th> <th>SFSL</th> </tr> <tr> <th colspan="11">0 t</th> <th>0 t - 640 t</th> </tr> <tr> <th></th> <th>85°</th> <th>85°</th> <th>75°</th> <th>65°</th> <th>55°</th> <th>45°</th> <th></th> <th></th> <th></th> <th></th> <th></th> </tr> <tr> <th>m</th> <th>t</th> <th>t</th> <th>t</th> <th>t</th> <th>t</th> <th>t</th> <th>t</th> <th>t</th> <th>t</th> <th>t</th> <th>t</th> </tr> </thead> <tbody> <tr><td>40</td><td>-</td><td>126,0*</td><td>-</td><td>-</td><td>-</td><td>-</td><td>-</td><td>-</td><td>-</td><td>-</td><td>-</td></tr> <tr><td>42</td><td>-</td><td>125,0*</td><td>-</td><td>-</td><td>-</td><td>-</td><td>-</td><td>-</td><td>-</td><td>-</td><td>-</td></tr> <tr><td>46</td><td>-</td><td>123,0*</td><td>-</td><td>-</td><td>-</td><td>-</td><td>-</td><td>-</td><td>-</td><td>-</td><td>-</td></tr> <tr><td>50</td><td>64,5</td><td>127,0</td><td>-</td><td>-</td><td>-</td><td>-</td><td>-</td><td>-</td><td>-</td><td>127,0</td><td>-</td></tr> <tr><td>54</td><td>56,5</td><td>126,0</td><td>-</td><td>-</td><td>-</td><td>-</td><td>-</td><td>-</td><td>-</td><td>127,0</td><td>-</td></tr> <tr><td>58</td><td>49,6</td><td>125,0</td><td>-</td><td>-</td><td>-</td><td>-</td><td>-</td><td>-</td><td>-</td><td>126,0</td><td>-</td></tr> <tr><td>62</td><td>43,4</td><td>123,0</td><td>-</td><td>-</td><td>-</td><td>-</td><td>-</td><td>-</td><td>-</td><td>126,0</td><td>-</td></tr> <tr><td>66</td><td>37,8</td><td>121,0</td><td>-</td><td>-</td><td>-</td><td>-</td><td>-</td><td>-</td><td>-</td><td>125,0</td><td>-</td></tr> <tr><td>70</td><td>32,8</td><td>119,0</td><td>-</td><td>-</td><td>-</td><td>-</td><td>-</td><td>-</td><td>-</td><td>124,0</td><td>-</td></tr> <tr><td>74</td><td>28,3</td><td>117,0</td><td>-</td><td>-</td><td>-</td><td>-</td><td>-</td><td>-</td><td>-</td><td>123,0</td><td>-</td></tr> <tr><td>78</td><td>24,1</td><td>115,0</td><td>-</td><td>-</td><td>-</td><td>-</td><td>-</td><td>-</td><td>-</td><td>121,0</td><td>-</td></tr> <tr><td>80</td><td>22,2</td><td>115,0</td><td>119,0</td><td>-</td><td>-</td><td>-</td><td>-</td><td>-</td><td>-</td><td>120,0</td><td>-</td></tr> <tr><td>82</td><td>20,4</td><td>114,0</td><td>119,0</td><td>-</td><td>-</td><td>-</td><td>-</td><td>-</td><td>-</td><td>119,0</td><td>-</td></tr> <tr><td>86</td><td>16,9</td><td>111,5</td><td>119,0</td><td>-</td><td>-</td><td>-</td><td>-</td><td>-</td><td>-</td><td>117,0</td><td>-</td></tr> <tr><td>90</td><td>13,8</td><td>106,5</td><td>119,0</td><td>-</td><td>-</td><td>-</td><td>-</td><td>-</td><td>-</td><td>115,0</td><td>-</td></tr> <tr><td>92</td><td>12,3</td><td>103,0</td><td>119,0</td><td>-</td><td>-</td><td>-</td><td>-</td><td>-</td><td>-</td><td>113,5</td><td>-</td></tr> <tr><td>94</td><td>-</td><td>99,7</td><td>119,0</td><td>-</td><td>-</td><td>-</td><td>-</td><td>-</td><td>-</td><td>112,0</td><td>-</td></tr> <tr><td>98</td><td>-</td><td>93,2</td><td>118,0</td><td>-</td><td>-</td><td>-</td><td>-</td><td>-</td><td>-</td><td>110,0</td><td>-</td></tr> <tr><td>102</td><td>-</td><td>86,5</td><td>118,0</td><td>-</td><td>-</td><td>-</td><td>-</td><td>-</td><td>-</td><td>108,0</td><td>-</td></tr> <tr><td>106</td><td>-</td><td>78,5</td><td>109,0</td><td>-</td><td>-</td><td>-</td><td>-</td><td>-</td><td>-</td><td>106,0</td><td>-</td></tr> <tr><td>108</td><td>-</td><td>74,0</td><td>105,0</td><td>104,0</td><td>-</td><td>-</td><td>-</td><td>-</td><td>-</td><td>105,0</td><td>-</td></tr> <tr><td>110</td><td>-</td><td>69,0</td><td>101,0</td><td>104,0</td><td>-</td><td>-</td><td>-</td><td>-</td><td>-</td><td>104,0</td><td>-</td></tr> <tr><td>112</td><td>-</td><td>64,0</td><td>97,5</td><td>104,0</td><td>-</td><td>-</td><td>-</td><td>-</td><td>-</td><td>102,5</td><td>-</td></tr> <tr><td>114</td><td>-</td><td>-</td><td>93,5</td><td>104,0</td><td>-</td><td>-</td><td>-</td><td>-</td><td>-</td><td>101,0</td><td>-</td></tr> <tr><td>118</td><td>-</td><td>-</td><td>86,5</td><td>104,0</td><td>-</td><td>-</td><td>-</td><td>-</td><td>-</td><td>99,5</td><td>-</td></tr> <tr><td>122</td><td>-</td><td>-</td><td>80,0</td><td>103,0</td><td>-</td><td>-</td><td>-</td><td>-</td><td>-</td><td>97,5</td><td>-</td></tr> <tr><td>126</td><td>-</td><td>-</td><td>70,5</td><td>95,5</td><td>-</td><td>-</td><td>-</td><td>-</td><td>-</td><td>90,5</td><td>-</td></tr> <tr><td>130</td><td>-</td><td>-</td><td>-</td><td>88,5</td><td>-</td><td>-</td><td>-</td><td>-</td><td>-</td><td>83,5</td><td>-</td></tr> <tr><td>134</td><td>-</td><td>-</td><td>-</td><td>81,5</td><td>78,0</td><td>-</td><td>-</td><td>-</td><td>-</td><td>76,0</td><td>-</td></tr> <tr><td>138</td><td>-</td><td>-</td><td>-</td><td>76,0</td><td>73,5</td><td>-</td><td>-</td><td>-</td><td>-</td><td>67,5</td><td>-</td></tr> <tr><td>142</td><td>-</td><td>-</td><td>-</td><td>-</td><td>69,5</td><td>-</td><td>-</td><td>-</td><td>-</td><td>59,5</td><td>-</td></tr> <tr><td>146</td><td>-</td><td>-</td><td>-</td><td>-</td><td>66,0</td><td>-</td><td>-</td><td>-</td><td>-</td><td>51,5</td><td>-</td></tr> <tr><td>150</td><td>-</td><td>-</td><td>-</td><td>-</td><td>62,5</td><td>-</td><td>-</td><td>-</td><td>-</td><td>44,2</td><td>-</td></tr> <tr><td>154</td><td>-</td><td>-</td><td>-</td><td>-</td><td>-</td><td>-</td><td>-</td><td>-</td><td>-</td><td>38,5</td><td>36,9</td></tr> <tr><td>158</td><td>-</td><td>-</td><td>-</td><td>-</td><td>-</td><td>-</td><td>-</td><td>-</td><td>-</td><td>35,9</td><td>31,6</td></tr> <tr><td>160</td><td>-</td><td>-</td><td>-</td><td>-</td><td>-</td><td>-</td><td>-</td><td>-</td><td>-</td><td>34,7</td><td>29,5</td></tr> <tr><td>162</td><td>-</td><td>-</td><td>-</td><td>-</td><td>-</td><td>-</td><td>-</td><td>-</td><td>-</td><td>-</td><td>27,5</td></tr> <tr><td>166</td><td>-</td><td>-</td><td>-</td><td>-</td><td>-</td><td>-</td><td>-</td><td>-</td><td>-</td><td>-</td><td>21,5</td></tr> <tr><td>170</td><td>-</td><td>-</td><td>-</td><td>-</td><td>-</td><td>-</td><td>-</td><td>-</td><td>-</td><td>-</td><td>14,5</td></tr> </tbody> </table> |       |         |       |        |      |             |   |      |       |       |             | SWSL |  |  |  |  |  |  |  |  |  |  | SFSL | 0 t |  |  |  |  |  |  |  |  |  |  | 0 t - 640 t |  | 85° | 85° | 75° | 65° | 55° | 45° |  |  |  |  |  | m | t | t | t | t | t | t | t | t | t | t | t | 40 | - | 126,0* | - | - | - | - | - | - | - | - | - | 42 | - | 125,0* | - | - | - | - | - | - | - | - | - | 46 | - | 123,0* | - | - | - | - | - | - | - | - | - | 50 | 64,5  | 127,0 | - | - | - | - | - | - | - | 127,0 | - | 54 | 56,5  | 126,0 | - | - | - | - | - | - | - | 127,0 | - | 58 | 49,6  | 125,0 | - | - | - | - | - | - | - | 126,0 | - | 62 | 43,4  | 123,0 | - | - | - | - | - | - | - | 126,0 | - | 66 | 37,8  | 121,0 | - | - | - | - | - | - | - | 125,0 | - | 70 | 32,8  | 119,0 | - | - | - | - | - | - | - | 124,0 | - | 74 | 28,3  | 117,0 | - | - | - | - | - | - | - | 123,0 | - | 78 | 24,1 | 115,0 | -     | - | - | - | - | - | - | 121,0 | - | 80 | 22,2 | 115,0 | 119,0 | - | - | - | - | - | - | 120,0 | - | 82 | 20,4 | 114,0 | 119,0 | - | - | - | - | - | - | 119,0 | - | 86 | 16,9 | 111,5 | 119,0 | - | - | - | - | - | - | 117,0 | - | 90 | 13,8 | 106,5 | 119,0 | - | - | - | - | - | - | 115,0 | - | 92 | 12,3 | 103,0 | 119,0 | - | - | - | - | - | - | 113,5 | - | 94 | - | 99,7 | 119,0 | -     | - | - | - | - | - | 112,0 | - | 98 | - | 93,2 | 118,0 | -     | - | - | - | - | - | 110,0 | - | 102 | - | 86,5 | 118,0 | -     | - | - | - | - | - | 108,0 | - | 106 | - | 78,5 | 109,0 | -     | - | - | - | - | - | 106,0 | - | 108 | - | 74,0 | 105,0 | 104,0 | - | - | - | - | - | 105,0 | - | 110 | - | 69,0 | 101,0 | 104,0 | - | - | - | - | - | 104,0 | - | 112 | - | 64,0 | 97,5 | 104,0 | - | -     | - | - | - | 102,5 | - | 114 | - | - | 93,5 | 104,0 | - | -     | - | - | - | 101,0 | - | 118 | - | - | 86,5 | 104,0 | - | -     | - | - | - | 99,5  | - | 122 | - | - | 80,0 | 103,0 | - | - | - | - | - | 97,5  | - | 126 | - | - | 70,5 | 95,5 | - | - | - | - | - | 90,5  | - | 130 | - | - | - | 88,5 | - | - | - | - | -     | 83,5  | - | 134 | - | - | - | 81,5 | 78,0 | - | - | - | -     | 76,0  | - | 138 | - | - | - | 76,0 | 73,5 | - | - | - | - | 67,5  | - | 142 | - | - | - | - | 69,5 | - | - | - | - | 59,5  | - | 146 | - | - | - | - | 66,0 | - | - | - | - | 51,5  | - | 150 | - | - | - | - | 62,5 | - | - | - | - | 44,2 | - | 154 | - | - | - | - | - | - | - | - | - | 38,5 | 36,9 | 158 | - | - | - | - | - | - | - | - | - | 35,9 | 31,6 | 160 | - | - | - | - | - | - | - | - | - | 34,7 | 29,5 | 162 | - | - | - | - | - | - | - | - | - | - | 27,5 | 166 | - | - | - | - | - | - | - | - | - | - | 21,5 | 170 | - | - | - | - | - | - | - | - | - | - | 14,5 |
| SWSL   |       |         |       |        |      |             |   |      |       |       | SFSL        |      |  |  |  |  |  |  |  |  |  |  |      |     |  |  |  |  |  |  |  |  |  |  |             |  |     |     |     |     |     |     |  |  |  |  |  |   |   |   |   |   |   |   |   |   |   |   |   |    |   |        |   |   |   |   |   |   |   |   |   |    |   |        |   |   |   |   |   |   |   |   |   |    |   |        |   |   |   |   |   |   |   |   |   |    |       |       |   |   |   |   |   |   |   |       |   |    |       |       |   |   |   |   |   |   |   |       |   |    |       |       |   |   |   |   |   |   |   |       |   |    |       |       |   |   |   |   |   |   |   |       |   |    |       |       |   |   |   |   |   |   |   |       |   |    |       |       |   |   |   |   |   |   |   |       |   |    |       |       |   |   |   |   |   |   |   |       |   |    |      |       |       |   |   |   |   |   |   |       |   |    |      |       |       |   |   |   |   |   |   |       |   |    |      |       |       |   |   |   |   |   |   |       |   |    |      |       |       |   |   |   |   |   |   |       |   |    |      |       |       |   |   |   |   |   |   |       |   |    |      |       |       |   |   |   |   |   |   |       |   |    |   |      |       |       |   |   |   |   |   |       |   |    |   |      |       |       |   |   |   |   |   |       |   |     |   |      |       |       |   |   |   |   |   |       |   |     |   |      |       |       |   |   |   |   |   |       |   |     |   |      |       |       |   |   |   |   |   |       |   |     |   |      |       |       |   |   |   |   |   |       |   |     |   |      |      |       |   |       |   |   |   |       |   |     |   |   |      |       |   |       |   |   |   |       |   |     |   |   |      |       |   |       |   |   |   |       |   |     |   |   |      |       |   |   |   |   |   |       |   |     |   |   |      |      |   |   |   |   |   |       |   |     |   |   |   |      |   |   |   |   |       |       |   |     |   |   |   |      |      |   |   |   |       |       |   |     |   |   |   |      |      |   |   |   |   |       |   |     |   |   |   |   |      |   |   |   |   |       |   |     |   |   |   |   |      |   |   |   |   |       |   |     |   |   |   |   |      |   |   |   |   |      |   |     |   |   |   |   |   |   |   |   |   |      |      |     |   |   |   |   |   |   |   |   |   |      |      |     |   |   |   |   |   |   |   |   |   |      |      |     |   |   |   |   |   |   |   |   |   |   |      |     |   |   |   |   |   |   |   |   |   |   |      |     |   |   |   |   |   |   |   |   |   |   |      |
| 0 t  |       |         |       |        |      |             |   |      |       |       | 0 t - 640 t |      |  |  |  |  |  |  |  |  |  |  |      |     |  |  |  |  |  |  |  |  |  |  |             |  |     |     |     |     |     |     |  |  |  |  |  |   |   |   |   |   |   |   |   |   |   |   |   |    |   |        |   |   |   |   |   |   |   |   |   |    |   |        |   |   |   |   |   |   |   |   |   |    |   |        |   |   |   |   |   |   |   |   |   |    |       |       |   |   |   |   |   |   |   |       |   |    |       |       |   |   |   |   |   |   |   |       |   |    |       |       |   |   |   |   |   |   |   |       |   |    |       |       |   |   |   |   |   |   |   |       |   |    |       |       |   |   |   |   |   |   |   |       |   |    |       |       |   |   |   |   |   |   |   |       |   |    |       |       |   |   |   |   |   |   |   |       |   |    |      |       |       |   |   |   |   |   |   |       |   |    |      |       |       |   |   |   |   |   |   |       |   |    |      |       |       |   |   |   |   |   |   |       |   |    |      |       |       |   |   |   |   |   |   |       |   |    |      |       |       |   |   |   |   |   |   |       |   |    |      |       |       |   |   |   |   |   |   |       |   |    |   |      |       |       |   |   |   |   |   |       |   |    |   |      |       |       |   |   |   |   |   |       |   |     |   |      |       |       |   |   |   |   |   |       |   |     |   |      |       |       |   |   |   |   |   |       |   |     |   |      |       |       |   |   |   |   |   |       |   |     |   |      |       |       |   |   |   |   |   |       |   |     |   |      |      |       |   |       |   |   |   |       |   |     |   |   |      |       |   |       |   |   |   |       |   |     |   |   |      |       |   |       |   |   |   |       |   |     |   |   |      |       |   |   |   |   |   |       |   |     |   |   |      |      |   |   |   |   |   |       |   |     |   |   |   |      |   |   |   |   |       |       |   |     |   |   |   |      |      |   |   |   |       |       |   |     |   |   |   |      |      |   |   |   |   |       |   |     |   |   |   |   |      |   |   |   |   |       |   |     |   |   |   |   |      |   |   |   |   |       |   |     |   |   |   |   |      |   |   |   |   |      |   |     |   |   |   |   |   |   |   |   |   |      |      |     |   |   |   |   |   |   |   |   |   |      |      |     |   |   |   |   |   |   |   |   |   |      |      |     |   |   |   |   |   |   |   |   |   |   |      |     |   |   |   |   |   |   |   |   |   |   |      |     |   |   |   |   |   |   |   |   |   |   |      |
|  | 85°   | 85°     | 75°   | 65°    | 55°  | 45°         |   |      |       |       |             |      |  |  |  |  |  |  |  |  |  |  |      |     |  |  |  |  |  |  |  |  |  |  |             |  |     |     |     |     |     |     |  |  |  |  |  |   |   |   |   |   |   |   |   |   |   |   |   |    |   |        |   |   |   |   |   |   |   |   |   |    |   |        |   |   |   |   |   |   |   |   |   |    |   |        |   |   |   |   |   |   |   |   |   |    |       |       |   |   |   |   |   |   |   |       |   |    |       |       |   |   |   |   |   |   |   |       |   |    |       |       |   |   |   |   |   |   |   |       |   |    |       |       |   |   |   |   |   |   |   |       |   |    |       |       |   |   |   |   |   |   |   |       |   |    |       |       |   |   |   |   |   |   |   |       |   |    |       |       |   |   |   |   |   |   |   |       |   |    |      |       |       |   |   |   |   |   |   |       |   |    |      |       |       |   |   |   |   |   |   |       |   |    |      |       |       |   |   |   |   |   |   |       |   |    |      |       |       |   |   |   |   |   |   |       |   |    |      |       |       |   |   |   |   |   |   |       |   |    |      |       |       |   |   |   |   |   |   |       |   |    |   |      |       |       |   |   |   |   |   |       |   |    |   |      |       |       |   |   |   |   |   |       |   |     |   |      |       |       |   |   |   |   |   |       |   |     |   |      |       |       |   |   |   |   |   |       |   |     |   |      |       |       |   |   |   |   |   |       |   |     |   |      |       |       |   |   |   |   |   |       |   |     |   |      |      |       |   |       |   |   |   |       |   |     |   |   |      |       |   |       |   |   |   |       |   |     |   |   |      |       |   |       |   |   |   |       |   |     |   |   |      |       |   |   |   |   |   |       |   |     |   |   |      |      |   |   |   |   |   |       |   |     |   |   |   |      |   |   |   |   |       |       |   |     |   |   |   |      |      |   |   |   |       |       |   |     |   |   |   |      |      |   |   |   |   |       |   |     |   |   |   |   |      |   |   |   |   |       |   |     |   |   |   |   |      |   |   |   |   |       |   |     |   |   |   |   |      |   |   |   |   |      |   |     |   |   |   |   |   |   |   |   |   |      |      |     |   |   |   |   |   |   |   |   |   |      |      |     |   |   |   |   |   |   |   |   |   |      |      |     |   |   |   |   |   |   |   |   |   |   |      |     |   |   |   |   |   |   |   |   |   |   |      |     |   |   |   |   |   |   |   |   |   |   |      |
| m  | t     | t       | t     | t      | t    | t           | t | t    | t     | t     | t           |      |  |  |  |  |  |  |  |  |  |  |      |     |  |  |  |  |  |  |  |  |  |  |             |  |     |     |     |     |     |     |  |  |  |  |  |   |   |   |   |   |   |   |   |   |   |   |   |    |   |        |   |   |   |   |   |   |   |   |   |    |   |        |   |   |   |   |   |   |   |   |   |    |   |        |   |   |   |   |   |   |   |   |   |    |       |       |   |   |   |   |   |   |   |       |   |    |       |       |   |   |   |   |   |   |   |       |   |    |       |       |   |   |   |   |   |   |   |       |   |    |       |       |   |   |   |   |   |   |   |       |   |    |       |       |   |   |   |   |   |   |   |       |   |    |       |       |   |   |   |   |   |   |   |       |   |    |       |       |   |   |   |   |   |   |   |       |   |    |      |       |       |   |   |   |   |   |   |       |   |    |      |       |       |   |   |   |   |   |   |       |   |    |      |       |       |   |   |   |   |   |   |       |   |    |      |       |       |   |   |   |   |   |   |       |   |    |      |       |       |   |   |   |   |   |   |       |   |    |      |       |       |   |   |   |   |   |   |       |   |    |   |      |       |       |   |   |   |   |   |       |   |    |   |      |       |       |   |   |   |   |   |       |   |     |   |      |       |       |   |   |   |   |   |       |   |     |   |      |       |       |   |   |   |   |   |       |   |     |   |      |       |       |   |   |   |   |   |       |   |     |   |      |       |       |   |   |   |   |   |       |   |     |   |      |      |       |   |       |   |   |   |       |   |     |   |   |      |       |   |       |   |   |   |       |   |     |   |   |      |       |   |       |   |   |   |       |   |     |   |   |      |       |   |   |   |   |   |       |   |     |   |   |      |      |   |   |   |   |   |       |   |     |   |   |   |      |   |   |   |   |       |       |   |     |   |   |   |      |      |   |   |   |       |       |   |     |   |   |   |      |      |   |   |   |   |       |   |     |   |   |   |   |      |   |   |   |   |       |   |     |   |   |   |   |      |   |   |   |   |       |   |     |   |   |   |   |      |   |   |   |   |      |   |     |   |   |   |   |   |   |   |   |   |      |      |     |   |   |   |   |   |   |   |   |   |      |      |     |   |   |   |   |   |   |   |   |   |      |      |     |   |   |   |   |   |   |   |   |   |   |      |     |   |   |   |   |   |   |   |   |   |   |      |     |   |   |   |   |   |   |   |   |   |   |      |
| 40   | -     | 126,0*  | -     | -      | -    | -           | - | -    | -     | -     | -           |      |  |  |  |  |  |  |  |  |  |  |      |     |  |  |  |  |  |  |  |  |  |  |             |  |     |     |     |     |     |     |  |  |  |  |  |   |   |   |   |   |   |   |   |   |   |   |   |    |   |        |   |   |   |   |   |   |   |   |   |    |   |        |   |   |   |   |   |   |   |   |   |    |   |        |   |   |   |   |   |   |   |   |   |    |       |       |   |   |   |   |   |   |   |       |   |    |       |       |   |   |   |   |   |   |   |       |   |    |       |       |   |   |   |   |   |   |   |       |   |    |       |       |   |   |   |   |   |   |   |       |   |    |       |       |   |   |   |   |   |   |   |       |   |    |       |       |   |   |   |   |   |   |   |       |   |    |       |       |   |   |   |   |   |   |   |       |   |    |      |       |       |   |   |   |   |   |   |       |   |    |      |       |       |   |   |   |   |   |   |       |   |    |      |       |       |   |   |   |   |   |   |       |   |    |      |       |       |   |   |   |   |   |   |       |   |    |      |       |       |   |   |   |   |   |   |       |   |    |      |       |       |   |   |   |   |   |   |       |   |    |   |      |       |       |   |   |   |   |   |       |   |    |   |      |       |       |   |   |   |   |   |       |   |     |   |      |       |       |   |   |   |   |   |       |   |     |   |      |       |       |   |   |   |   |   |       |   |     |   |      |       |       |   |   |   |   |   |       |   |     |   |      |       |       |   |   |   |   |   |       |   |     |   |      |      |       |   |       |   |   |   |       |   |     |   |   |      |       |   |       |   |   |   |       |   |     |   |   |      |       |   |       |   |   |   |       |   |     |   |   |      |       |   |   |   |   |   |       |   |     |   |   |      |      |   |   |   |   |   |       |   |     |   |   |   |      |   |   |   |   |       |       |   |     |   |   |   |      |      |   |   |   |       |       |   |     |   |   |   |      |      |   |   |   |   |       |   |     |   |   |   |   |      |   |   |   |   |       |   |     |   |   |   |   |      |   |   |   |   |       |   |     |   |   |   |   |      |   |   |   |   |      |   |     |   |   |   |   |   |   |   |   |   |      |      |     |   |   |   |   |   |   |   |   |   |      |      |     |   |   |   |   |   |   |   |   |   |      |      |     |   |   |   |   |   |   |   |   |   |   |      |     |   |   |   |   |   |   |   |   |   |   |      |     |   |   |   |   |   |   |   |   |   |   |      |
| 42   | -     | 125,0*  | -     | -      | -    | -           | - | -    | -     | -     | -           |      |  |  |  |  |  |  |  |  |  |  |      |     |  |  |  |  |  |  |  |  |  |  |             |  |     |     |     |     |     |     |  |  |  |  |  |   |   |   |   |   |   |   |   |   |   |   |   |    |   |        |   |   |   |   |   |   |   |   |   |    |   |        |   |   |   |   |   |   |   |   |   |    |   |        |   |   |   |   |   |   |   |   |   |    |       |       |   |   |   |   |   |   |   |       |   |    |       |       |   |   |   |   |   |   |   |       |   |    |       |       |   |   |   |   |   |   |   |       |   |    |       |       |   |   |   |   |   |   |   |       |   |    |       |       |   |   |   |   |   |   |   |       |   |    |       |       |   |   |   |   |   |   |   |       |   |    |       |       |   |   |   |   |   |   |   |       |   |    |      |       |       |   |   |   |   |   |   |       |   |    |      |       |       |   |   |   |   |   |   |       |   |    |      |       |       |   |   |   |   |   |   |       |   |    |      |       |       |   |   |   |   |   |   |       |   |    |      |       |       |   |   |   |   |   |   |       |   |    |      |       |       |   |   |   |   |   |   |       |   |    |   |      |       |       |   |   |   |   |   |       |   |    |   |      |       |       |   |   |   |   |   |       |   |     |   |      |       |       |   |   |   |   |   |       |   |     |   |      |       |       |   |   |   |   |   |       |   |     |   |      |       |       |   |   |   |   |   |       |   |     |   |      |       |       |   |   |   |   |   |       |   |     |   |      |      |       |   |       |   |   |   |       |   |     |   |   |      |       |   |       |   |   |   |       |   |     |   |   |      |       |   |       |   |   |   |       |   |     |   |   |      |       |   |   |   |   |   |       |   |     |   |   |      |      |   |   |   |   |   |       |   |     |   |   |   |      |   |   |   |   |       |       |   |     |   |   |   |      |      |   |   |   |       |       |   |     |   |   |   |      |      |   |   |   |   |       |   |     |   |   |   |   |      |   |   |   |   |       |   |     |   |   |   |   |      |   |   |   |   |       |   |     |   |   |   |   |      |   |   |   |   |      |   |     |   |   |   |   |   |   |   |   |   |      |      |     |   |   |   |   |   |   |   |   |   |      |      |     |   |   |   |   |   |   |   |   |   |      |      |     |   |   |   |   |   |   |   |   |   |   |      |     |   |   |   |   |   |   |   |   |   |   |      |     |   |   |   |   |   |   |   |   |   |   |      |
| 46   | -     | 123,0*  | -     | -      | -    | -           | - | -    | -     | -     | -           |      |  |  |  |  |  |  |  |  |  |  |      |     |  |  |  |  |  |  |  |  |  |  |             |  |     |     |     |     |     |     |  |  |  |  |  |   |   |   |   |   |   |   |   |   |   |   |   |    |   |        |   |   |   |   |   |   |   |   |   |    |   |        |   |   |   |   |   |   |   |   |   |    |   |        |   |   |   |   |   |   |   |   |   |    |       |       |   |   |   |   |   |   |   |       |   |    |       |       |   |   |   |   |   |   |   |       |   |    |       |       |   |   |   |   |   |   |   |       |   |    |       |       |   |   |   |   |   |   |   |       |   |    |       |       |   |   |   |   |   |   |   |       |   |    |       |       |   |   |   |   |   |   |   |       |   |    |       |       |   |   |   |   |   |   |   |       |   |    |      |       |       |   |   |   |   |   |   |       |   |    |      |       |       |   |   |   |   |   |   |       |   |    |      |       |       |   |   |   |   |   |   |       |   |    |      |       |       |   |   |   |   |   |   |       |   |    |      |       |       |   |   |   |   |   |   |       |   |    |      |       |       |   |   |   |   |   |   |       |   |    |   |      |       |       |   |   |   |   |   |       |   |    |   |      |       |       |   |   |   |   |   |       |   |     |   |      |       |       |   |   |   |   |   |       |   |     |   |      |       |       |   |   |   |   |   |       |   |     |   |      |       |       |   |   |   |   |   |       |   |     |   |      |       |       |   |   |   |   |   |       |   |     |   |      |      |       |   |       |   |   |   |       |   |     |   |   |      |       |   |       |   |   |   |       |   |     |   |   |      |       |   |       |   |   |   |       |   |     |   |   |      |       |   |   |   |   |   |       |   |     |   |   |      |      |   |   |   |   |   |       |   |     |   |   |   |      |   |   |   |   |       |       |   |     |   |   |   |      |      |   |   |   |       |       |   |     |   |   |   |      |      |   |   |   |   |       |   |     |   |   |   |   |      |   |   |   |   |       |   |     |   |   |   |   |      |   |   |   |   |       |   |     |   |   |   |   |      |   |   |   |   |      |   |     |   |   |   |   |   |   |   |   |   |      |      |     |   |   |   |   |   |   |   |   |   |      |      |     |   |   |   |   |   |   |   |   |   |      |      |     |   |   |   |   |   |   |   |   |   |   |      |     |   |   |   |   |   |   |   |   |   |   |      |     |   |   |   |   |   |   |   |   |   |   |      |
| 50   | 64,5  | 127,0   | -     | -      | -    | -           | - | -    | -     | 127,0 | -           |      |  |  |  |  |  |  |  |  |  |  |      |     |  |  |  |  |  |  |  |  |  |  |             |  |     |     |     |     |     |     |  |  |  |  |  |   |   |   |   |   |   |   |   |   |   |   |   |    |   |        |   |   |   |   |   |   |   |   |   |    |   |        |   |   |   |   |   |   |   |   |   |    |   |        |   |   |   |   |   |   |   |   |   |    |       |       |   |   |   |   |   |   |   |       |   |    |       |       |   |   |   |   |   |   |   |       |   |    |       |       |   |   |   |   |   |   |   |       |   |    |       |       |   |   |   |   |   |   |   |       |   |    |       |       |   |   |   |   |   |   |   |       |   |    |       |       |   |   |   |   |   |   |   |       |   |    |       |       |   |   |   |   |   |   |   |       |   |    |      |       |       |   |   |   |   |   |   |       |   |    |      |       |       |   |   |   |   |   |   |       |   |    |      |       |       |   |   |   |   |   |   |       |   |    |      |       |       |   |   |   |   |   |   |       |   |    |      |       |       |   |   |   |   |   |   |       |   |    |      |       |       |   |   |   |   |   |   |       |   |    |   |      |       |       |   |   |   |   |   |       |   |    |   |      |       |       |   |   |   |   |   |       |   |     |   |      |       |       |   |   |   |   |   |       |   |     |   |      |       |       |   |   |   |   |   |       |   |     |   |      |       |       |   |   |   |   |   |       |   |     |   |      |       |       |   |   |   |   |   |       |   |     |   |      |      |       |   |       |   |   |   |       |   |     |   |   |      |       |   |       |   |   |   |       |   |     |   |   |      |       |   |       |   |   |   |       |   |     |   |   |      |       |   |   |   |   |   |       |   |     |   |   |      |      |   |   |   |   |   |       |   |     |   |   |   |      |   |   |   |   |       |       |   |     |   |   |   |      |      |   |   |   |       |       |   |     |   |   |   |      |      |   |   |   |   |       |   |     |   |   |   |   |      |   |   |   |   |       |   |     |   |   |   |   |      |   |   |   |   |       |   |     |   |   |   |   |      |   |   |   |   |      |   |     |   |   |   |   |   |   |   |   |   |      |      |     |   |   |   |   |   |   |   |   |   |      |      |     |   |   |   |   |   |   |   |   |   |      |      |     |   |   |   |   |   |   |   |   |   |   |      |     |   |   |   |   |   |   |   |   |   |   |      |     |   |   |   |   |   |   |   |   |   |   |      |
| 54   | 56,5  | 126,0   | -     | -      | -    | -           | - | -    | -     | 127,0 | -           |      |  |  |  |  |  |  |  |  |  |  |      |     |  |  |  |  |  |  |  |  |  |  |             |  |     |     |     |     |     |     |  |  |  |  |  |   |   |   |   |   |   |   |   |   |   |   |   |    |   |        |   |   |   |   |   |   |   |   |   |    |   |        |   |   |   |   |   |   |   |   |   |    |   |        |   |   |   |   |   |   |   |   |   |    |       |       |   |   |   |   |   |   |   |       |   |    |       |       |   |   |   |   |   |   |   |       |   |    |       |       |   |   |   |   |   |   |   |       |   |    |       |       |   |   |   |   |   |   |   |       |   |    |       |       |   |   |   |   |   |   |   |       |   |    |       |       |   |   |   |   |   |   |   |       |   |    |       |       |   |   |   |   |   |   |   |       |   |    |      |       |       |   |   |   |   |   |   |       |   |    |      |       |       |   |   |   |   |   |   |       |   |    |      |       |       |   |   |   |   |   |   |       |   |    |      |       |       |   |   |   |   |   |   |       |   |    |      |       |       |   |   |   |   |   |   |       |   |    |      |       |       |   |   |   |   |   |   |       |   |    |   |      |       |       |   |   |   |   |   |       |   |    |   |      |       |       |   |   |   |   |   |       |   |     |   |      |       |       |   |   |   |   |   |       |   |     |   |      |       |       |   |   |   |   |   |       |   |     |   |      |       |       |   |   |   |   |   |       |   |     |   |      |       |       |   |   |   |   |   |       |   |     |   |      |      |       |   |       |   |   |   |       |   |     |   |   |      |       |   |       |   |   |   |       |   |     |   |   |      |       |   |       |   |   |   |       |   |     |   |   |      |       |   |   |   |   |   |       |   |     |   |   |      |      |   |   |   |   |   |       |   |     |   |   |   |      |   |   |   |   |       |       |   |     |   |   |   |      |      |   |   |   |       |       |   |     |   |   |   |      |      |   |   |   |   |       |   |     |   |   |   |   |      |   |   |   |   |       |   |     |   |   |   |   |      |   |   |   |   |       |   |     |   |   |   |   |      |   |   |   |   |      |   |     |   |   |   |   |   |   |   |   |   |      |      |     |   |   |   |   |   |   |   |   |   |      |      |     |   |   |   |   |   |   |   |   |   |      |      |     |   |   |   |   |   |   |   |   |   |   |      |     |   |   |   |   |   |   |   |   |   |   |      |     |   |   |   |   |   |   |   |   |   |   |      |
| 58   | 49,6  | 125,0   | -     | -      | -    | -           | - | -    | -     | 126,0 | -           |      |  |  |  |  |  |  |  |  |  |  |      |     |  |  |  |  |  |  |  |  |  |  |             |  |     |     |     |     |     |     |  |  |  |  |  |   |   |   |   |   |   |   |   |   |   |   |   |    |   |        |   |   |   |   |   |   |   |   |   |    |   |        |   |   |   |   |   |   |   |   |   |    |   |        |   |   |   |   |   |   |   |   |   |    |       |       |   |   |   |   |   |   |   |       |   |    |       |       |   |   |   |   |   |   |   |       |   |    |       |       |   |   |   |   |   |   |   |       |   |    |       |       |   |   |   |   |   |   |   |       |   |    |       |       |   |   |   |   |   |   |   |       |   |    |       |       |   |   |   |   |   |   |   |       |   |    |       |       |   |   |   |   |   |   |   |       |   |    |      |       |       |   |   |   |   |   |   |       |   |    |      |       |       |   |   |   |   |   |   |       |   |    |      |       |       |   |   |   |   |   |   |       |   |    |      |       |       |   |   |   |   |   |   |       |   |    |      |       |       |   |   |   |   |   |   |       |   |    |      |       |       |   |   |   |   |   |   |       |   |    |   |      |       |       |   |   |   |   |   |       |   |    |   |      |       |       |   |   |   |   |   |       |   |     |   |      |       |       |   |   |   |   |   |       |   |     |   |      |       |       |   |   |   |   |   |       |   |     |   |      |       |       |   |   |   |   |   |       |   |     |   |      |       |       |   |   |   |   |   |       |   |     |   |      |      |       |   |       |   |   |   |       |   |     |   |   |      |       |   |       |   |   |   |       |   |     |   |   |      |       |   |       |   |   |   |       |   |     |   |   |      |       |   |   |   |   |   |       |   |     |   |   |      |      |   |   |   |   |   |       |   |     |   |   |   |      |   |   |   |   |       |       |   |     |   |   |   |      |      |   |   |   |       |       |   |     |   |   |   |      |      |   |   |   |   |       |   |     |   |   |   |   |      |   |   |   |   |       |   |     |   |   |   |   |      |   |   |   |   |       |   |     |   |   |   |   |      |   |   |   |   |      |   |     |   |   |   |   |   |   |   |   |   |      |      |     |   |   |   |   |   |   |   |   |   |      |      |     |   |   |   |   |   |   |   |   |   |      |      |     |   |   |   |   |   |   |   |   |   |   |      |     |   |   |   |   |   |   |   |   |   |   |      |     |   |   |   |   |   |   |   |   |   |   |      |
| 62   | 43,4  | 123,0   | -     | -      | -    | -           | - | -    | -     | 126,0 | -           |      |  |  |  |  |  |  |  |  |  |  |      |     |  |  |  |  |  |  |  |  |  |  |             |  |     |     |     |     |     |     |  |  |  |  |  |   |   |   |   |   |   |   |   |   |   |   |   |    |   |        |   |   |   |   |   |   |   |   |   |    |   |        |   |   |   |   |   |   |   |   |   |    |   |        |   |   |   |   |   |   |   |   |   |    |       |       |   |   |   |   |   |   |   |       |   |    |       |       |   |   |   |   |   |   |   |       |   |    |       |       |   |   |   |   |   |   |   |       |   |    |       |       |   |   |   |   |   |   |   |       |   |    |       |       |   |   |   |   |   |   |   |       |   |    |       |       |   |   |   |   |   |   |   |       |   |    |       |       |   |   |   |   |   |   |   |       |   |    |      |       |       |   |   |   |   |   |   |       |   |    |      |       |       |   |   |   |   |   |   |       |   |    |      |       |       |   |   |   |   |   |   |       |   |    |      |       |       |   |   |   |   |   |   |       |   |    |      |       |       |   |   |   |   |   |   |       |   |    |      |       |       |   |   |   |   |   |   |       |   |    |   |      |       |       |   |   |   |   |   |       |   |    |   |      |       |       |   |   |   |   |   |       |   |     |   |      |       |       |   |   |   |   |   |       |   |     |   |      |       |       |   |   |   |   |   |       |   |     |   |      |       |       |   |   |   |   |   |       |   |     |   |      |       |       |   |   |   |   |   |       |   |     |   |      |      |       |   |       |   |   |   |       |   |     |   |   |      |       |   |       |   |   |   |       |   |     |   |   |      |       |   |       |   |   |   |       |   |     |   |   |      |       |   |   |   |   |   |       |   |     |   |   |      |      |   |   |   |   |   |       |   |     |   |   |   |      |   |   |   |   |       |       |   |     |   |   |   |      |      |   |   |   |       |       |   |     |   |   |   |      |      |   |   |   |   |       |   |     |   |   |   |   |      |   |   |   |   |       |   |     |   |   |   |   |      |   |   |   |   |       |   |     |   |   |   |   |      |   |   |   |   |      |   |     |   |   |   |   |   |   |   |   |   |      |      |     |   |   |   |   |   |   |   |   |   |      |      |     |   |   |   |   |   |   |   |   |   |      |      |     |   |   |   |   |   |   |   |   |   |   |      |     |   |   |   |   |   |   |   |   |   |   |      |     |   |   |   |   |   |   |   |   |   |   |      |
| 66   | 37,8  | 121,0   | -     | -      | -    | -           | - | -    | -     | 125,0 | -           |      |  |  |  |  |  |  |  |  |  |  |      |     |  |  |  |  |  |  |  |  |  |  |             |  |     |     |     |     |     |     |  |  |  |  |  |   |   |   |   |   |   |   |   |   |   |   |   |    |   |        |   |   |   |   |   |   |   |   |   |    |   |        |   |   |   |   |   |   |   |   |   |    |   |        |   |   |   |   |   |   |   |   |   |    |       |       |   |   |   |   |   |   |   |       |   |    |       |       |   |   |   |   |   |   |   |       |   |    |       |       |   |   |   |   |   |   |   |       |   |    |       |       |   |   |   |   |   |   |   |       |   |    |       |       |   |   |   |   |   |   |   |       |   |    |       |       |   |   |   |   |   |   |   |       |   |    |       |       |   |   |   |   |   |   |   |       |   |    |      |       |       |   |   |   |   |   |   |       |   |    |      |       |       |   |   |   |   |   |   |       |   |    |      |       |       |   |   |   |   |   |   |       |   |    |      |       |       |   |   |   |   |   |   |       |   |    |      |       |       |   |   |   |   |   |   |       |   |    |      |       |       |   |   |   |   |   |   |       |   |    |   |      |       |       |   |   |   |   |   |       |   |    |   |      |       |       |   |   |   |   |   |       |   |     |   |      |       |       |   |   |   |   |   |       |   |     |   |      |       |       |   |   |   |   |   |       |   |     |   |      |       |       |   |   |   |   |   |       |   |     |   |      |       |       |   |   |   |   |   |       |   |     |   |      |      |       |   |       |   |   |   |       |   |     |   |   |      |       |   |       |   |   |   |       |   |     |   |   |      |       |   |       |   |   |   |       |   |     |   |   |      |       |   |   |   |   |   |       |   |     |   |   |      |      |   |   |   |   |   |       |   |     |   |   |   |      |   |   |   |   |       |       |   |     |   |   |   |      |      |   |   |   |       |       |   |     |   |   |   |      |      |   |   |   |   |       |   |     |   |   |   |   |      |   |   |   |   |       |   |     |   |   |   |   |      |   |   |   |   |       |   |     |   |   |   |   |      |   |   |   |   |      |   |     |   |   |   |   |   |   |   |   |   |      |      |     |   |   |   |   |   |   |   |   |   |      |      |     |   |   |   |   |   |   |   |   |   |      |      |     |   |   |   |   |   |   |   |   |   |   |      |     |   |   |   |   |   |   |   |   |   |   |      |     |   |   |   |   |   |   |   |   |   |   |      |
| 70   | 32,8  | 119,0   | -     | -      | -    | -           | - | -    | -     | 124,0 | -           |      |  |  |  |  |  |  |  |  |  |  |      |     |  |  |  |  |  |  |  |  |  |  |             |  |     |     |     |     |     |     |  |  |  |  |  |   |   |   |   |   |   |   |   |   |   |   |   |    |   |        |   |   |   |   |   |   |   |   |   |    |   |        |   |   |   |   |   |   |   |   |   |    |   |        |   |   |   |   |   |   |   |   |   |    |       |       |   |   |   |   |   |   |   |       |   |    |       |       |   |   |   |   |   |   |   |       |   |    |       |       |   |   |   |   |   |   |   |       |   |    |       |       |   |   |   |   |   |   |   |       |   |    |       |       |   |   |   |   |   |   |   |       |   |    |       |       |   |   |   |   |   |   |   |       |   |    |       |       |   |   |   |   |   |   |   |       |   |    |      |       |       |   |   |   |   |   |   |       |   |    |      |       |       |   |   |   |   |   |   |       |   |    |      |       |       |   |   |   |   |   |   |       |   |    |      |       |       |   |   |   |   |   |   |       |   |    |      |       |       |   |   |   |   |   |   |       |   |    |      |       |       |   |   |   |   |   |   |       |   |    |   |      |       |       |   |   |   |   |   |       |   |    |   |      |       |       |   |   |   |   |   |       |   |     |   |      |       |       |   |   |   |   |   |       |   |     |   |      |       |       |   |   |   |   |   |       |   |     |   |      |       |       |   |   |   |   |   |       |   |     |   |      |       |       |   |   |   |   |   |       |   |     |   |      |      |       |   |       |   |   |   |       |   |     |   |   |      |       |   |       |   |   |   |       |   |     |   |   |      |       |   |       |   |   |   |       |   |     |   |   |      |       |   |   |   |   |   |       |   |     |   |   |      |      |   |   |   |   |   |       |   |     |   |   |   |      |   |   |   |   |       |       |   |     |   |   |   |      |      |   |   |   |       |       |   |     |   |   |   |      |      |   |   |   |   |       |   |     |   |   |   |   |      |   |   |   |   |       |   |     |   |   |   |   |      |   |   |   |   |       |   |     |   |   |   |   |      |   |   |   |   |      |   |     |   |   |   |   |   |   |   |   |   |      |      |     |   |   |   |   |   |   |   |   |   |      |      |     |   |   |   |   |   |   |   |   |   |      |      |     |   |   |   |   |   |   |   |   |   |   |      |     |   |   |   |   |   |   |   |   |   |   |      |     |   |   |   |   |   |   |   |   |   |   |      |
| 74   | 28,3  | 117,0   | -     | -      | -    | -           | - | -    | -     | 123,0 | -           |      |  |  |  |  |  |  |  |  |  |  |      |     |  |  |  |  |  |  |  |  |  |  |             |  |     |     |     |     |     |     |  |  |  |  |  |   |   |   |   |   |   |   |   |   |   |   |   |    |   |        |   |   |   |   |   |   |   |   |   |    |   |        |   |   |   |   |   |   |   |   |   |    |   |        |   |   |   |   |   |   |   |   |   |    |       |       |   |   |   |   |   |   |   |       |   |    |       |       |   |   |   |   |   |   |   |       |   |    |       |       |   |   |   |   |   |   |   |       |   |    |       |       |   |   |   |   |   |   |   |       |   |    |       |       |   |   |   |   |   |   |   |       |   |    |       |       |   |   |   |   |   |   |   |       |   |    |       |       |   |   |   |   |   |   |   |       |   |    |      |       |       |   |   |   |   |   |   |       |   |    |      |       |       |   |   |   |   |   |   |       |   |    |      |       |       |   |   |   |   |   |   |       |   |    |      |       |       |   |   |   |   |   |   |       |   |    |      |       |       |   |   |   |   |   |   |       |   |    |      |       |       |   |   |   |   |   |   |       |   |    |   |      |       |       |   |   |   |   |   |       |   |    |   |      |       |       |   |   |   |   |   |       |   |     |   |      |       |       |   |   |   |   |   |       |   |     |   |      |       |       |   |   |   |   |   |       |   |     |   |      |       |       |   |   |   |   |   |       |   |     |   |      |       |       |   |   |   |   |   |       |   |     |   |      |      |       |   |       |   |   |   |       |   |     |   |   |      |       |   |       |   |   |   |       |   |     |   |   |      |       |   |       |   |   |   |       |   |     |   |   |      |       |   |   |   |   |   |       |   |     |   |   |      |      |   |   |   |   |   |       |   |     |   |   |   |      |   |   |   |   |       |       |   |     |   |   |   |      |      |   |   |   |       |       |   |     |   |   |   |      |      |   |   |   |   |       |   |     |   |   |   |   |      |   |   |   |   |       |   |     |   |   |   |   |      |   |   |   |   |       |   |     |   |   |   |   |      |   |   |   |   |      |   |     |   |   |   |   |   |   |   |   |   |      |      |     |   |   |   |   |   |   |   |   |   |      |      |     |   |   |   |   |   |   |   |   |   |      |      |     |   |   |   |   |   |   |   |   |   |   |      |     |   |   |   |   |   |   |   |   |   |   |      |     |   |   |   |   |   |   |   |   |   |   |      |
| 78   | 24,1  | 115,0   | -     | -      | -    | -           | - | -    | -     | 121,0 | -           |      |  |  |  |  |  |  |  |  |  |  |      |     |  |  |  |  |  |  |  |  |  |  |             |  |     |     |     |     |     |     |  |  |  |  |  |   |   |   |   |   |   |   |   |   |   |   |   |    |   |        |   |   |   |   |   |   |   |   |   |    |   |        |   |   |   |   |   |   |   |   |   |    |   |        |   |   |   |   |   |   |   |   |   |    |       |       |   |   |   |   |   |   |   |       |   |    |       |       |   |   |   |   |   |   |   |       |   |    |       |       |   |   |   |   |   |   |   |       |   |    |       |       |   |   |   |   |   |   |   |       |   |    |       |       |   |   |   |   |   |   |   |       |   |    |       |       |   |   |   |   |   |   |   |       |   |    |       |       |   |   |   |   |   |   |   |       |   |    |      |       |       |   |   |   |   |   |   |       |   |    |      |       |       |   |   |   |   |   |   |       |   |    |      |       |       |   |   |   |   |   |   |       |   |    |      |       |       |   |   |   |   |   |   |       |   |    |      |       |       |   |   |   |   |   |   |       |   |    |      |       |       |   |   |   |   |   |   |       |   |    |   |      |       |       |   |   |   |   |   |       |   |    |   |      |       |       |   |   |   |   |   |       |   |     |   |      |       |       |   |   |   |   |   |       |   |     |   |      |       |       |   |   |   |   |   |       |   |     |   |      |       |       |   |   |   |   |   |       |   |     |   |      |       |       |   |   |   |   |   |       |   |     |   |      |      |       |   |       |   |   |   |       |   |     |   |   |      |       |   |       |   |   |   |       |   |     |   |   |      |       |   |       |   |   |   |       |   |     |   |   |      |       |   |   |   |   |   |       |   |     |   |   |      |      |   |   |   |   |   |       |   |     |   |   |   |      |   |   |   |   |       |       |   |     |   |   |   |      |      |   |   |   |       |       |   |     |   |   |   |      |      |   |   |   |   |       |   |     |   |   |   |   |      |   |   |   |   |       |   |     |   |   |   |   |      |   |   |   |   |       |   |     |   |   |   |   |      |   |   |   |   |      |   |     |   |   |   |   |   |   |   |   |   |      |      |     |   |   |   |   |   |   |   |   |   |      |      |     |   |   |   |   |   |   |   |   |   |      |      |     |   |   |   |   |   |   |   |   |   |   |      |     |   |   |   |   |   |   |   |   |   |   |      |     |   |   |   |   |   |   |   |   |   |   |      |
| 80   | 22,2  | 115,0   | 119,0 | -      | -    | -           | - | -    | -     | 120,0 | -           |      |  |  |  |  |  |  |  |  |  |  |      |     |  |  |  |  |  |  |  |  |  |  |             |  |     |     |     |     |     |     |  |  |  |  |  |   |   |   |   |   |   |   |   |   |   |   |   |    |   |        |   |   |   |   |   |   |   |   |   |    |   |        |   |   |   |   |   |   |   |   |   |    |   |        |   |   |   |   |   |   |   |   |   |    |       |       |   |   |   |   |   |   |   |       |   |    |       |       |   |   |   |   |   |   |   |       |   |    |       |       |   |   |   |   |   |   |   |       |   |    |       |       |   |   |   |   |   |   |   |       |   |    |       |       |   |   |   |   |   |   |   |       |   |    |       |       |   |   |   |   |   |   |   |       |   |    |       |       |   |   |   |   |   |   |   |       |   |    |      |       |       |   |   |   |   |   |   |       |   |    |      |       |       |   |   |   |   |   |   |       |   |    |      |       |       |   |   |   |   |   |   |       |   |    |      |       |       |   |   |   |   |   |   |       |   |    |      |       |       |   |   |   |   |   |   |       |   |    |      |       |       |   |   |   |   |   |   |       |   |    |   |      |       |       |   |   |   |   |   |       |   |    |   |      |       |       |   |   |   |   |   |       |   |     |   |      |       |       |   |   |   |   |   |       |   |     |   |      |       |       |   |   |   |   |   |       |   |     |   |      |       |       |   |   |   |   |   |       |   |     |   |      |       |       |   |   |   |   |   |       |   |     |   |      |      |       |   |       |   |   |   |       |   |     |   |   |      |       |   |       |   |   |   |       |   |     |   |   |      |       |   |       |   |   |   |       |   |     |   |   |      |       |   |   |   |   |   |       |   |     |   |   |      |      |   |   |   |   |   |       |   |     |   |   |   |      |   |   |   |   |       |       |   |     |   |   |   |      |      |   |   |   |       |       |   |     |   |   |   |      |      |   |   |   |   |       |   |     |   |   |   |   |      |   |   |   |   |       |   |     |   |   |   |   |      |   |   |   |   |       |   |     |   |   |   |   |      |   |   |   |   |      |   |     |   |   |   |   |   |   |   |   |   |      |      |     |   |   |   |   |   |   |   |   |   |      |      |     |   |   |   |   |   |   |   |   |   |      |      |     |   |   |   |   |   |   |   |   |   |   |      |     |   |   |   |   |   |   |   |   |   |   |      |     |   |   |   |   |   |   |   |   |   |   |      |
| 82   | 20,4  | 114,0   | 119,0 | -      | -    | -           | - | -    | -     | 119,0 | -           |      |  |  |  |  |  |  |  |  |  |  |      |     |  |  |  |  |  |  |  |  |  |  |             |  |     |     |     |     |     |     |  |  |  |  |  |   |   |   |   |   |   |   |   |   |   |   |   |    |   |        |   |   |   |   |   |   |   |   |   |    |   |        |   |   |   |   |   |   |   |   |   |    |   |        |   |   |   |   |   |   |   |   |   |    |       |       |   |   |   |   |   |   |   |       |   |    |       |       |   |   |   |   |   |   |   |       |   |    |       |       |   |   |   |   |   |   |   |       |   |    |       |       |   |   |   |   |   |   |   |       |   |    |       |       |   |   |   |   |   |   |   |       |   |    |       |       |   |   |   |   |   |   |   |       |   |    |       |       |   |   |   |   |   |   |   |       |   |    |      |       |       |   |   |   |   |   |   |       |   |    |      |       |       |   |   |   |   |   |   |       |   |    |      |       |       |   |   |   |   |   |   |       |   |    |      |       |       |   |   |   |   |   |   |       |   |    |      |       |       |   |   |   |   |   |   |       |   |    |      |       |       |   |   |   |   |   |   |       |   |    |   |      |       |       |   |   |   |   |   |       |   |    |   |      |       |       |   |   |   |   |   |       |   |     |   |      |       |       |   |   |   |   |   |       |   |     |   |      |       |       |   |   |   |   |   |       |   |     |   |      |       |       |   |   |   |   |   |       |   |     |   |      |       |       |   |   |   |   |   |       |   |     |   |      |      |       |   |       |   |   |   |       |   |     |   |   |      |       |   |       |   |   |   |       |   |     |   |   |      |       |   |       |   |   |   |       |   |     |   |   |      |       |   |   |   |   |   |       |   |     |   |   |      |      |   |   |   |   |   |       |   |     |   |   |   |      |   |   |   |   |       |       |   |     |   |   |   |      |      |   |   |   |       |       |   |     |   |   |   |      |      |   |   |   |   |       |   |     |   |   |   |   |      |   |   |   |   |       |   |     |   |   |   |   |      |   |   |   |   |       |   |     |   |   |   |   |      |   |   |   |   |      |   |     |   |   |   |   |   |   |   |   |   |      |      |     |   |   |   |   |   |   |   |   |   |      |      |     |   |   |   |   |   |   |   |   |   |      |      |     |   |   |   |   |   |   |   |   |   |   |      |     |   |   |   |   |   |   |   |   |   |   |      |     |   |   |   |   |   |   |   |   |   |   |      |
| 86   | 16,9  | 111,5   | 119,0 | -      | -    | -           | - | -    | -     | 117,0 | -           |      |  |  |  |  |  |  |  |  |  |  |      |     |  |  |  |  |  |  |  |  |  |  |             |  |     |     |     |     |     |     |  |  |  |  |  |   |   |   |   |   |   |   |   |   |   |   |   |    |   |        |   |   |   |   |   |   |   |   |   |    |   |        |   |   |   |   |   |   |   |   |   |    |   |        |   |   |   |   |   |   |   |   |   |    |       |       |   |   |   |   |   |   |   |       |   |    |       |       |   |   |   |   |   |   |   |       |   |    |       |       |   |   |   |   |   |   |   |       |   |    |       |       |   |   |   |   |   |   |   |       |   |    |       |       |   |   |   |   |   |   |   |       |   |    |       |       |   |   |   |   |   |   |   |       |   |    |       |       |   |   |   |   |   |   |   |       |   |    |      |       |       |   |   |   |   |   |   |       |   |    |      |       |       |   |   |   |   |   |   |       |   |    |      |       |       |   |   |   |   |   |   |       |   |    |      |       |       |   |   |   |   |   |   |       |   |    |      |       |       |   |   |   |   |   |   |       |   |    |      |       |       |   |   |   |   |   |   |       |   |    |   |      |       |       |   |   |   |   |   |       |   |    |   |      |       |       |   |   |   |   |   |       |   |     |   |      |       |       |   |   |   |   |   |       |   |     |   |      |       |       |   |   |   |   |   |       |   |     |   |      |       |       |   |   |   |   |   |       |   |     |   |      |       |       |   |   |   |   |   |       |   |     |   |      |      |       |   |       |   |   |   |       |   |     |   |   |      |       |   |       |   |   |   |       |   |     |   |   |      |       |   |       |   |   |   |       |   |     |   |   |      |       |   |   |   |   |   |       |   |     |   |   |      |      |   |   |   |   |   |       |   |     |   |   |   |      |   |   |   |   |       |       |   |     |   |   |   |      |      |   |   |   |       |       |   |     |   |   |   |      |      |   |   |   |   |       |   |     |   |   |   |   |      |   |   |   |   |       |   |     |   |   |   |   |      |   |   |   |   |       |   |     |   |   |   |   |      |   |   |   |   |      |   |     |   |   |   |   |   |   |   |   |   |      |      |     |   |   |   |   |   |   |   |   |   |      |      |     |   |   |   |   |   |   |   |   |   |      |      |     |   |   |   |   |   |   |   |   |   |   |      |     |   |   |   |   |   |   |   |   |   |   |      |     |   |   |   |   |   |   |   |   |   |   |      |
| 90   | 13,8  | 106,5   | 119,0 | -      | -    | -           | - | -    | -     | 115,0 | -           |      |  |  |  |  |  |  |  |  |  |  |      |     |  |  |  |  |  |  |  |  |  |  |             |  |     |     |     |     |     |     |  |  |  |  |  |   |   |   |   |   |   |   |   |   |   |   |   |    |   |        |   |   |   |   |   |   |   |   |   |    |   |        |   |   |   |   |   |   |   |   |   |    |   |        |   |   |   |   |   |   |   |   |   |    |       |       |   |   |   |   |   |   |   |       |   |    |       |       |   |   |   |   |   |   |   |       |   |    |       |       |   |   |   |   |   |   |   |       |   |    |       |       |   |   |   |   |   |   |   |       |   |    |       |       |   |   |   |   |   |   |   |       |   |    |       |       |   |   |   |   |   |   |   |       |   |    |       |       |   |   |   |   |   |   |   |       |   |    |      |       |       |   |   |   |   |   |   |       |   |    |      |       |       |   |   |   |   |   |   |       |   |    |      |       |       |   |   |   |   |   |   |       |   |    |      |       |       |   |   |   |   |   |   |       |   |    |      |       |       |   |   |   |   |   |   |       |   |    |      |       |       |   |   |   |   |   |   |       |   |    |   |      |       |       |   |   |   |   |   |       |   |    |   |      |       |       |   |   |   |   |   |       |   |     |   |      |       |       |   |   |   |   |   |       |   |     |   |      |       |       |   |   |   |   |   |       |   |     |   |      |       |       |   |   |   |   |   |       |   |     |   |      |       |       |   |   |   |   |   |       |   |     |   |      |      |       |   |       |   |   |   |       |   |     |   |   |      |       |   |       |   |   |   |       |   |     |   |   |      |       |   |       |   |   |   |       |   |     |   |   |      |       |   |   |   |   |   |       |   |     |   |   |      |      |   |   |   |   |   |       |   |     |   |   |   |      |   |   |   |   |       |       |   |     |   |   |   |      |      |   |   |   |       |       |   |     |   |   |   |      |      |   |   |   |   |       |   |     |   |   |   |   |      |   |   |   |   |       |   |     |   |   |   |   |      |   |   |   |   |       |   |     |   |   |   |   |      |   |   |   |   |      |   |     |   |   |   |   |   |   |   |   |   |      |      |     |   |   |   |   |   |   |   |   |   |      |      |     |   |   |   |   |   |   |   |   |   |      |      |     |   |   |   |   |   |   |   |   |   |   |      |     |   |   |   |   |   |   |   |   |   |   |      |     |   |   |   |   |   |   |   |   |   |   |      |
| 92   | 12,3  | 103,0   | 119,0 | -      | -    | -           | - | -    | -     | 113,5 | -           |      |  |  |  |  |  |  |  |  |  |  |      |     |  |  |  |  |  |  |  |  |  |  |             |  |     |     |     |     |     |     |  |  |  |  |  |   |   |   |   |   |   |   |   |   |   |   |   |    |   |        |   |   |   |   |   |   |   |   |   |    |   |        |   |   |   |   |   |   |   |   |   |    |   |        |   |   |   |   |   |   |   |   |   |    |       |       |   |   |   |   |   |   |   |       |   |    |       |       |   |   |   |   |   |   |   |       |   |    |       |       |   |   |   |   |   |   |   |       |   |    |       |       |   |   |   |   |   |   |   |       |   |    |       |       |   |   |   |   |   |   |   |       |   |    |       |       |   |   |   |   |   |   |   |       |   |    |       |       |   |   |   |   |   |   |   |       |   |    |      |       |       |   |   |   |   |   |   |       |   |    |      |       |       |   |   |   |   |   |   |       |   |    |      |       |       |   |   |   |   |   |   |       |   |    |      |       |       |   |   |   |   |   |   |       |   |    |      |       |       |   |   |   |   |   |   |       |   |    |      |       |       |   |   |   |   |   |   |       |   |    |   |      |       |       |   |   |   |   |   |       |   |    |   |      |       |       |   |   |   |   |   |       |   |     |   |      |       |       |   |   |   |   |   |       |   |     |   |      |       |       |   |   |   |   |   |       |   |     |   |      |       |       |   |   |   |   |   |       |   |     |   |      |       |       |   |   |   |   |   |       |   |     |   |      |      |       |   |       |   |   |   |       |   |     |   |   |      |       |   |       |   |   |   |       |   |     |   |   |      |       |   |       |   |   |   |       |   |     |   |   |      |       |   |   |   |   |   |       |   |     |   |   |      |      |   |   |   |   |   |       |   |     |   |   |   |      |   |   |   |   |       |       |   |     |   |   |   |      |      |   |   |   |       |       |   |     |   |   |   |      |      |   |   |   |   |       |   |     |   |   |   |   |      |   |   |   |   |       |   |     |   |   |   |   |      |   |   |   |   |       |   |     |   |   |   |   |      |   |   |   |   |      |   |     |   |   |   |   |   |   |   |   |   |      |      |     |   |   |   |   |   |   |   |   |   |      |      |     |   |   |   |   |   |   |   |   |   |      |      |     |   |   |   |   |   |   |   |   |   |   |      |     |   |   |   |   |   |   |   |   |   |   |      |     |   |   |   |   |   |   |   |   |   |   |      |
| 94   | -     | 99,7    | 119,0 | -      | -    | -           | - | -    | -     | 112,0 | -           |      |  |  |  |  |  |  |  |  |  |  |      |     |  |  |  |  |  |  |  |  |  |  |             |  |     |     |     |     |     |     |  |  |  |  |  |   |   |   |   |   |   |   |   |   |   |   |   |    |   |        |   |   |   |   |   |   |   |   |   |    |   |        |   |   |   |   |   |   |   |   |   |    |   |        |   |   |   |   |   |   |   |   |   |    |       |       |   |   |   |   |   |   |   |       |   |    |       |       |   |   |   |   |   |   |   |       |   |    |       |       |   |   |   |   |   |   |   |       |   |    |       |       |   |   |   |   |   |   |   |       |   |    |       |       |   |   |   |   |   |   |   |       |   |    |       |       |   |   |   |   |   |   |   |       |   |    |       |       |   |   |   |   |   |   |   |       |   |    |      |       |       |   |   |   |   |   |   |       |   |    |      |       |       |   |   |   |   |   |   |       |   |    |      |       |       |   |   |   |   |   |   |       |   |    |      |       |       |   |   |   |   |   |   |       |   |    |      |       |       |   |   |   |   |   |   |       |   |    |      |       |       |   |   |   |   |   |   |       |   |    |   |      |       |       |   |   |   |   |   |       |   |    |   |      |       |       |   |   |   |   |   |       |   |     |   |      |       |       |   |   |   |   |   |       |   |     |   |      |       |       |   |   |   |   |   |       |   |     |   |      |       |       |   |   |   |   |   |       |   |     |   |      |       |       |   |   |   |   |   |       |   |     |   |      |      |       |   |       |   |   |   |       |   |     |   |   |      |       |   |       |   |   |   |       |   |     |   |   |      |       |   |       |   |   |   |       |   |     |   |   |      |       |   |   |   |   |   |       |   |     |   |   |      |      |   |   |   |   |   |       |   |     |   |   |   |      |   |   |   |   |       |       |   |     |   |   |   |      |      |   |   |   |       |       |   |     |   |   |   |      |      |   |   |   |   |       |   |     |   |   |   |   |      |   |   |   |   |       |   |     |   |   |   |   |      |   |   |   |   |       |   |     |   |   |   |   |      |   |   |   |   |      |   |     |   |   |   |   |   |   |   |   |   |      |      |     |   |   |   |   |   |   |   |   |   |      |      |     |   |   |   |   |   |   |   |   |   |      |      |     |   |   |   |   |   |   |   |   |   |   |      |     |   |   |   |   |   |   |   |   |   |   |      |     |   |   |   |   |   |   |   |   |   |   |      |
| 98   | -     | 93,2    | 118,0 | -      | -    | -           | - | -    | -     | 110,0 | -           |      |  |  |  |  |  |  |  |  |  |  |      |     |  |  |  |  |  |  |  |  |  |  |             |  |     |     |     |     |     |     |  |  |  |  |  |   |   |   |   |   |   |   |   |   |   |   |   |    |   |        |   |   |   |   |   |   |   |   |   |    |   |        |   |   |   |   |   |   |   |   |   |    |   |        |   |   |   |   |   |   |   |   |   |    |       |       |   |   |   |   |   |   |   |       |   |    |       |       |   |   |   |   |   |   |   |       |   |    |       |       |   |   |   |   |   |   |   |       |   |    |       |       |   |   |   |   |   |   |   |       |   |    |       |       |   |   |   |   |   |   |   |       |   |    |       |       |   |   |   |   |   |   |   |       |   |    |       |       |   |   |   |   |   |   |   |       |   |    |      |       |       |   |   |   |   |   |   |       |   |    |      |       |       |   |   |   |   |   |   |       |   |    |      |       |       |   |   |   |   |   |   |       |   |    |      |       |       |   |   |   |   |   |   |       |   |    |      |       |       |   |   |   |   |   |   |       |   |    |      |       |       |   |   |   |   |   |   |       |   |    |   |      |       |       |   |   |   |   |   |       |   |    |   |      |       |       |   |   |   |   |   |       |   |     |   |      |       |       |   |   |   |   |   |       |   |     |   |      |       |       |   |   |   |   |   |       |   |     |   |      |       |       |   |   |   |   |   |       |   |     |   |      |       |       |   |   |   |   |   |       |   |     |   |      |      |       |   |       |   |   |   |       |   |     |   |   |      |       |   |       |   |   |   |       |   |     |   |   |      |       |   |       |   |   |   |       |   |     |   |   |      |       |   |   |   |   |   |       |   |     |   |   |      |      |   |   |   |   |   |       |   |     |   |   |   |      |   |   |   |   |       |       |   |     |   |   |   |      |      |   |   |   |       |       |   |     |   |   |   |      |      |   |   |   |   |       |   |     |   |   |   |   |      |   |   |   |   |       |   |     |   |   |   |   |      |   |   |   |   |       |   |     |   |   |   |   |      |   |   |   |   |      |   |     |   |   |   |   |   |   |   |   |   |      |      |     |   |   |   |   |   |   |   |   |   |      |      |     |   |   |   |   |   |   |   |   |   |      |      |     |   |   |   |   |   |   |   |   |   |   |      |     |   |   |   |   |   |   |   |   |   |   |      |     |   |   |   |   |   |   |   |   |   |   |      |
| 102  | -     | 86,5    | 118,0 | -      | -    | -           | - | -    | -     | 108,0 | -           |      |  |  |  |  |  |  |  |  |  |  |      |     |  |  |  |  |  |  |  |  |  |  |             |  |     |     |     |     |     |     |  |  |  |  |  |   |   |   |   |   |   |   |   |   |   |   |   |    |   |        |   |   |   |   |   |   |   |   |   |    |   |        |   |   |   |   |   |   |   |   |   |    |   |        |   |   |   |   |   |   |   |   |   |    |       |       |   |   |   |   |   |   |   |       |   |    |       |       |   |   |   |   |   |   |   |       |   |    |       |       |   |   |   |   |   |   |   |       |   |    |       |       |   |   |   |   |   |   |   |       |   |    |       |       |   |   |   |   |   |   |   |       |   |    |       |       |   |   |   |   |   |   |   |       |   |    |       |       |   |   |   |   |   |   |   |       |   |    |      |       |       |   |   |   |   |   |   |       |   |    |      |       |       |   |   |   |   |   |   |       |   |    |      |       |       |   |   |   |   |   |   |       |   |    |      |       |       |   |   |   |   |   |   |       |   |    |      |       |       |   |   |   |   |   |   |       |   |    |      |       |       |   |   |   |   |   |   |       |   |    |   |      |       |       |   |   |   |   |   |       |   |    |   |      |       |       |   |   |   |   |   |       |   |     |   |      |       |       |   |   |   |   |   |       |   |     |   |      |       |       |   |   |   |   |   |       |   |     |   |      |       |       |   |   |   |   |   |       |   |     |   |      |       |       |   |   |   |   |   |       |   |     |   |      |      |       |   |       |   |   |   |       |   |     |   |   |      |       |   |       |   |   |   |       |   |     |   |   |      |       |   |       |   |   |   |       |   |     |   |   |      |       |   |   |   |   |   |       |   |     |   |   |      |      |   |   |   |   |   |       |   |     |   |   |   |      |   |   |   |   |       |       |   |     |   |   |   |      |      |   |   |   |       |       |   |     |   |   |   |      |      |   |   |   |   |       |   |     |   |   |   |   |      |   |   |   |   |       |   |     |   |   |   |   |      |   |   |   |   |       |   |     |   |   |   |   |      |   |   |   |   |      |   |     |   |   |   |   |   |   |   |   |   |      |      |     |   |   |   |   |   |   |   |   |   |      |      |     |   |   |   |   |   |   |   |   |   |      |      |     |   |   |   |   |   |   |   |   |   |   |      |     |   |   |   |   |   |   |   |   |   |   |      |     |   |   |   |   |   |   |   |   |   |   |      |
| 106  | -     | 78,5    | 109,0 | -      | -    | -           | - | -    | -     | 106,0 | -           |      |  |  |  |  |  |  |  |  |  |  |      |     |  |  |  |  |  |  |  |  |  |  |             |  |     |     |     |     |     |     |  |  |  |  |  |   |   |   |   |   |   |   |   |   |   |   |   |    |   |        |   |   |   |   |   |   |   |   |   |    |   |        |   |   |   |   |   |   |   |   |   |    |   |        |   |   |   |   |   |   |   |   |   |    |       |       |   |   |   |   |   |   |   |       |   |    |       |       |   |   |   |   |   |   |   |       |   |    |       |       |   |   |   |   |   |   |   |       |   |    |       |       |   |   |   |   |   |   |   |       |   |    |       |       |   |   |   |   |   |   |   |       |   |    |       |       |   |   |   |   |   |   |   |       |   |    |       |       |   |   |   |   |   |   |   |       |   |    |      |       |       |   |   |   |   |   |   |       |   |    |      |       |       |   |   |   |   |   |   |       |   |    |      |       |       |   |   |   |   |   |   |       |   |    |      |       |       |   |   |   |   |   |   |       |   |    |      |       |       |   |   |   |   |   |   |       |   |    |      |       |       |   |   |   |   |   |   |       |   |    |   |      |       |       |   |   |   |   |   |       |   |    |   |      |       |       |   |   |   |   |   |       |   |     |   |      |       |       |   |   |   |   |   |       |   |     |   |      |       |       |   |   |   |   |   |       |   |     |   |      |       |       |   |   |   |   |   |       |   |     |   |      |       |       |   |   |   |   |   |       |   |     |   |      |      |       |   |       |   |   |   |       |   |     |   |   |      |       |   |       |   |   |   |       |   |     |   |   |      |       |   |       |   |   |   |       |   |     |   |   |      |       |   |   |   |   |   |       |   |     |   |   |      |      |   |   |   |   |   |       |   |     |   |   |   |      |   |   |   |   |       |       |   |     |   |   |   |      |      |   |   |   |       |       |   |     |   |   |   |      |      |   |   |   |   |       |   |     |   |   |   |   |      |   |   |   |   |       |   |     |   |   |   |   |      |   |   |   |   |       |   |     |   |   |   |   |      |   |   |   |   |      |   |     |   |   |   |   |   |   |   |   |   |      |      |     |   |   |   |   |   |   |   |   |   |      |      |     |   |   |   |   |   |   |   |   |   |      |      |     |   |   |   |   |   |   |   |   |   |   |      |     |   |   |   |   |   |   |   |   |   |   |      |     |   |   |   |   |   |   |   |   |   |   |      |
| 108  | -     | 74,0    | 105,0 | 104,0  | -    | -           | - | -    | -     | 105,0 | -           |      |  |  |  |  |  |  |  |  |  |  |      |     |  |  |  |  |  |  |  |  |  |  |             |  |     |     |     |     |     |     |  |  |  |  |  |   |   |   |   |   |   |   |   |   |   |   |   |    |   |        |   |   |   |   |   |   |   |   |   |    |   |        |   |   |   |   |   |   |   |   |   |    |   |        |   |   |   |   |   |   |   |   |   |    |       |       |   |   |   |   |   |   |   |       |   |    |       |       |   |   |   |   |   |   |   |       |   |    |       |       |   |   |   |   |   |   |   |       |   |    |       |       |   |   |   |   |   |   |   |       |   |    |       |       |   |   |   |   |   |   |   |       |   |    |       |       |   |   |   |   |   |   |   |       |   |    |       |       |   |   |   |   |   |   |   |       |   |    |      |       |       |   |   |   |   |   |   |       |   |    |      |       |       |   |   |   |   |   |   |       |   |    |      |       |       |   |   |   |   |   |   |       |   |    |      |       |       |   |   |   |   |   |   |       |   |    |      |       |       |   |   |   |   |   |   |       |   |    |      |       |       |   |   |   |   |   |   |       |   |    |   |      |       |       |   |   |   |   |   |       |   |    |   |      |       |       |   |   |   |   |   |       |   |     |   |      |       |       |   |   |   |   |   |       |   |     |   |      |       |       |   |   |   |   |   |       |   |     |   |      |       |       |   |   |   |   |   |       |   |     |   |      |       |       |   |   |   |   |   |       |   |     |   |      |      |       |   |       |   |   |   |       |   |     |   |   |      |       |   |       |   |   |   |       |   |     |   |   |      |       |   |       |   |   |   |       |   |     |   |   |      |       |   |   |   |   |   |       |   |     |   |   |      |      |   |   |   |   |   |       |   |     |   |   |   |      |   |   |   |   |       |       |   |     |   |   |   |      |      |   |   |   |       |       |   |     |   |   |   |      |      |   |   |   |   |       |   |     |   |   |   |   |      |   |   |   |   |       |   |     |   |   |   |   |      |   |   |   |   |       |   |     |   |   |   |   |      |   |   |   |   |      |   |     |   |   |   |   |   |   |   |   |   |      |      |     |   |   |   |   |   |   |   |   |   |      |      |     |   |   |   |   |   |   |   |   |   |      |      |     |   |   |   |   |   |   |   |   |   |   |      |     |   |   |   |   |   |   |   |   |   |   |      |     |   |   |   |   |   |   |   |   |   |   |      |
| 110  | -     | 69,0    | 101,0 | 104,0  | -    | -           | - | -    | -     | 104,0 | -           |      |  |  |  |  |  |  |  |  |  |  |      |     |  |  |  |  |  |  |  |  |  |  |             |  |     |     |     |     |     |     |  |  |  |  |  |   |   |   |   |   |   |   |   |   |   |   |   |    |   |        |   |   |   |   |   |   |   |   |   |    |   |        |   |   |   |   |   |   |   |   |   |    |   |        |   |   |   |   |   |   |   |   |   |    |       |       |   |   |   |   |   |   |   |       |   |    |       |       |   |   |   |   |   |   |   |       |   |    |       |       |   |   |   |   |   |   |   |       |   |    |       |       |   |   |   |   |   |   |   |       |   |    |       |       |   |   |   |   |   |   |   |       |   |    |       |       |   |   |   |   |   |   |   |       |   |    |       |       |   |   |   |   |   |   |   |       |   |    |      |       |       |   |   |   |   |   |   |       |   |    |      |       |       |   |   |   |   |   |   |       |   |    |      |       |       |   |   |   |   |   |   |       |   |    |      |       |       |   |   |   |   |   |   |       |   |    |      |       |       |   |   |   |   |   |   |       |   |    |      |       |       |   |   |   |   |   |   |       |   |    |   |      |       |       |   |   |   |   |   |       |   |    |   |      |       |       |   |   |   |   |   |       |   |     |   |      |       |       |   |   |   |   |   |       |   |     |   |      |       |       |   |   |   |   |   |       |   |     |   |      |       |       |   |   |   |   |   |       |   |     |   |      |       |       |   |   |   |   |   |       |   |     |   |      |      |       |   |       |   |   |   |       |   |     |   |   |      |       |   |       |   |   |   |       |   |     |   |   |      |       |   |       |   |   |   |       |   |     |   |   |      |       |   |   |   |   |   |       |   |     |   |   |      |      |   |   |   |   |   |       |   |     |   |   |   |      |   |   |   |   |       |       |   |     |   |   |   |      |      |   |   |   |       |       |   |     |   |   |   |      |      |   |   |   |   |       |   |     |   |   |   |   |      |   |   |   |   |       |   |     |   |   |   |   |      |   |   |   |   |       |   |     |   |   |   |   |      |   |   |   |   |      |   |     |   |   |   |   |   |   |   |   |   |      |      |     |   |   |   |   |   |   |   |   |   |      |      |     |   |   |   |   |   |   |   |   |   |      |      |     |   |   |   |   |   |   |   |   |   |   |      |     |   |   |   |   |   |   |   |   |   |   |      |     |   |   |   |   |   |   |   |   |   |   |      |
| 112  | -     | 64,0    | 97,5  | 104,0  | -    | -           | - | -    | -     | 102,5 | -           |      |  |  |  |  |  |  |  |  |  |  |      |     |  |  |  |  |  |  |  |  |  |  |             |  |     |     |     |     |     |     |  |  |  |  |  |   |   |   |   |   |   |   |   |   |   |   |   |    |   |        |   |   |   |   |   |   |   |   |   |    |   |        |   |   |   |   |   |   |   |   |   |    |   |        |   |   |   |   |   |   |   |   |   |    |       |       |   |   |   |   |   |   |   |       |   |    |       |       |   |   |   |   |   |   |   |       |   |    |       |       |   |   |   |   |   |   |   |       |   |    |       |       |   |   |   |   |   |   |   |       |   |    |       |       |   |   |   |   |   |   |   |       |   |    |       |       |   |   |   |   |   |   |   |       |   |    |       |       |   |   |   |   |   |   |   |       |   |    |      |       |       |   |   |   |   |   |   |       |   |    |      |       |       |   |   |   |   |   |   |       |   |    |      |       |       |   |   |   |   |   |   |       |   |    |      |       |       |   |   |   |   |   |   |       |   |    |      |       |       |   |   |   |   |   |   |       |   |    |      |       |       |   |   |   |   |   |   |       |   |    |   |      |       |       |   |   |   |   |   |       |   |    |   |      |       |       |   |   |   |   |   |       |   |     |   |      |       |       |   |   |   |   |   |       |   |     |   |      |       |       |   |   |   |   |   |       |   |     |   |      |       |       |   |   |   |   |   |       |   |     |   |      |       |       |   |   |   |   |   |       |   |     |   |      |      |       |   |       |   |   |   |       |   |     |   |   |      |       |   |       |   |   |   |       |   |     |   |   |      |       |   |       |   |   |   |       |   |     |   |   |      |       |   |   |   |   |   |       |   |     |   |   |      |      |   |   |   |   |   |       |   |     |   |   |   |      |   |   |   |   |       |       |   |     |   |   |   |      |      |   |   |   |       |       |   |     |   |   |   |      |      |   |   |   |   |       |   |     |   |   |   |   |      |   |   |   |   |       |   |     |   |   |   |   |      |   |   |   |   |       |   |     |   |   |   |   |      |   |   |   |   |      |   |     |   |   |   |   |   |   |   |   |   |      |      |     |   |   |   |   |   |   |   |   |   |      |      |     |   |   |   |   |   |   |   |   |   |      |      |     |   |   |   |   |   |   |   |   |   |   |      |     |   |   |   |   |   |   |   |   |   |   |      |     |   |   |   |   |   |   |   |   |   |   |      |
| 114  | -     | -       | 93,5  | 104,0  | -    | -           | - | -    | -     | 101,0 | -           |      |  |  |  |  |  |  |  |  |  |  |      |     |  |  |  |  |  |  |  |  |  |  |             |  |     |     |     |     |     |     |  |  |  |  |  |   |   |   |   |   |   |   |   |   |   |   |   |    |   |        |   |   |   |   |   |   |   |   |   |    |   |        |   |   |   |   |   |   |   |   |   |    |   |        |   |   |   |   |   |   |   |   |   |    |       |       |   |   |   |   |   |   |   |       |   |    |       |       |   |   |   |   |   |   |   |       |   |    |       |       |   |   |   |   |   |   |   |       |   |    |       |       |   |   |   |   |   |   |   |       |   |    |       |       |   |   |   |   |   |   |   |       |   |    |       |       |   |   |   |   |   |   |   |       |   |    |       |       |   |   |   |   |   |   |   |       |   |    |      |       |       |   |   |   |   |   |   |       |   |    |      |       |       |   |   |   |   |   |   |       |   |    |      |       |       |   |   |   |   |   |   |       |   |    |      |       |       |   |   |   |   |   |   |       |   |    |      |       |       |   |   |   |   |   |   |       |   |    |      |       |       |   |   |   |   |   |   |       |   |    |   |      |       |       |   |   |   |   |   |       |   |    |   |      |       |       |   |   |   |   |   |       |   |     |   |      |       |       |   |   |   |   |   |       |   |     |   |      |       |       |   |   |   |   |   |       |   |     |   |      |       |       |   |   |   |   |   |       |   |     |   |      |       |       |   |   |   |   |   |       |   |     |   |      |      |       |   |       |   |   |   |       |   |     |   |   |      |       |   |       |   |   |   |       |   |     |   |   |      |       |   |       |   |   |   |       |   |     |   |   |      |       |   |   |   |   |   |       |   |     |   |   |      |      |   |   |   |   |   |       |   |     |   |   |   |      |   |   |   |   |       |       |   |     |   |   |   |      |      |   |   |   |       |       |   |     |   |   |   |      |      |   |   |   |   |       |   |     |   |   |   |   |      |   |   |   |   |       |   |     |   |   |   |   |      |   |   |   |   |       |   |     |   |   |   |   |      |   |   |   |   |      |   |     |   |   |   |   |   |   |   |   |   |      |      |     |   |   |   |   |   |   |   |   |   |      |      |     |   |   |   |   |   |   |   |   |   |      |      |     |   |   |   |   |   |   |   |   |   |   |      |     |   |   |   |   |   |   |   |   |   |   |      |     |   |   |   |   |   |   |   |   |   |   |      |
| 118  | -     | -       | 86,5  | 104,0  | -    | -           | - | -    | -     | 99,5  | -           |      |  |  |  |  |  |  |  |  |  |  |      |     |  |  |  |  |  |  |  |  |  |  |             |  |     |     |     |     |     |     |  |  |  |  |  |   |   |   |   |   |   |   |   |   |   |   |   |    |   |        |   |   |   |   |   |   |   |   |   |    |   |        |   |   |   |   |   |   |   |   |   |    |   |        |   |   |   |   |   |   |   |   |   |    |       |       |   |   |   |   |   |   |   |       |   |    |       |       |   |   |   |   |   |   |   |       |   |    |       |       |   |   |   |   |   |   |   |       |   |    |       |       |   |   |   |   |   |   |   |       |   |    |       |       |   |   |   |   |   |   |   |       |   |    |       |       |   |   |   |   |   |   |   |       |   |    |       |       |   |   |   |   |   |   |   |       |   |    |      |       |       |   |   |   |   |   |   |       |   |    |      |       |       |   |   |   |   |   |   |       |   |    |      |       |       |   |   |   |   |   |   |       |   |    |      |       |       |   |   |   |   |   |   |       |   |    |      |       |       |   |   |   |   |   |   |       |   |    |      |       |       |   |   |   |   |   |   |       |   |    |   |      |       |       |   |   |   |   |   |       |   |    |   |      |       |       |   |   |   |   |   |       |   |     |   |      |       |       |   |   |   |   |   |       |   |     |   |      |       |       |   |   |   |   |   |       |   |     |   |      |       |       |   |   |   |   |   |       |   |     |   |      |       |       |   |   |   |   |   |       |   |     |   |      |      |       |   |       |   |   |   |       |   |     |   |   |      |       |   |       |   |   |   |       |   |     |   |   |      |       |   |       |   |   |   |       |   |     |   |   |      |       |   |   |   |   |   |       |   |     |   |   |      |      |   |   |   |   |   |       |   |     |   |   |   |      |   |   |   |   |       |       |   |     |   |   |   |      |      |   |   |   |       |       |   |     |   |   |   |      |      |   |   |   |   |       |   |     |   |   |   |   |      |   |   |   |   |       |   |     |   |   |   |   |      |   |   |   |   |       |   |     |   |   |   |   |      |   |   |   |   |      |   |     |   |   |   |   |   |   |   |   |   |      |      |     |   |   |   |   |   |   |   |   |   |      |      |     |   |   |   |   |   |   |   |   |   |      |      |     |   |   |   |   |   |   |   |   |   |   |      |     |   |   |   |   |   |   |   |   |   |   |      |     |   |   |   |   |   |   |   |   |   |   |      |
| 122  | -     | -       | 80,0  | 103,0  | -    | -           | - | -    | -     | 97,5  | -           |      |  |  |  |  |  |  |  |  |  |  |      |     |  |  |  |  |  |  |  |  |  |  |             |  |     |     |     |     |     |     |  |  |  |  |  |   |   |   |   |   |   |   |   |   |   |   |   |    |   |        |   |   |   |   |   |   |   |   |   |    |   |        |   |   |   |   |   |   |   |   |   |    |   |        |   |   |   |   |   |   |   |   |   |    |       |       |   |   |   |   |   |   |   |       |   |    |       |       |   |   |   |   |   |   |   |       |   |    |       |       |   |   |   |   |   |   |   |       |   |    |       |       |   |   |   |   |   |   |   |       |   |    |       |       |   |   |   |   |   |   |   |       |   |    |       |       |   |   |   |   |   |   |   |       |   |    |       |       |   |   |   |   |   |   |   |       |   |    |      |       |       |   |   |   |   |   |   |       |   |    |      |       |       |   |   |   |   |   |   |       |   |    |      |       |       |   |   |   |   |   |   |       |   |    |      |       |       |   |   |   |   |   |   |       |   |    |      |       |       |   |   |   |   |   |   |       |   |    |      |       |       |   |   |   |   |   |   |       |   |    |   |      |       |       |   |   |   |   |   |       |   |    |   |      |       |       |   |   |   |   |   |       |   |     |   |      |       |       |   |   |   |   |   |       |   |     |   |      |       |       |   |   |   |   |   |       |   |     |   |      |       |       |   |   |   |   |   |       |   |     |   |      |       |       |   |   |   |   |   |       |   |     |   |      |      |       |   |       |   |   |   |       |   |     |   |   |      |       |   |       |   |   |   |       |   |     |   |   |      |       |   |       |   |   |   |       |   |     |   |   |      |       |   |   |   |   |   |       |   |     |   |   |      |      |   |   |   |   |   |       |   |     |   |   |   |      |   |   |   |   |       |       |   |     |   |   |   |      |      |   |   |   |       |       |   |     |   |   |   |      |      |   |   |   |   |       |   |     |   |   |   |   |      |   |   |   |   |       |   |     |   |   |   |   |      |   |   |   |   |       |   |     |   |   |   |   |      |   |   |   |   |      |   |     |   |   |   |   |   |   |   |   |   |      |      |     |   |   |   |   |   |   |   |   |   |      |      |     |   |   |   |   |   |   |   |   |   |      |      |     |   |   |   |   |   |   |   |   |   |   |      |     |   |   |   |   |   |   |   |   |   |   |      |     |   |   |   |   |   |   |   |   |   |   |      |
| 126  | -     | -       | 70,5  | 95,5   | -    | -           | - | -    | -     | 90,5  | -           |      |  |  |  |  |  |  |  |  |  |  |      |     |  |  |  |  |  |  |  |  |  |  |             |  |     |     |     |     |     |     |  |  |  |  |  |   |   |   |   |   |   |   |   |   |   |   |   |    |   |        |   |   |   |   |   |   |   |   |   |    |   |        |   |   |   |   |   |   |   |   |   |    |   |        |   |   |   |   |   |   |   |   |   |    |       |       |   |   |   |   |   |   |   |       |   |    |       |       |   |   |   |   |   |   |   |       |   |    |       |       |   |   |   |   |   |   |   |       |   |    |       |       |   |   |   |   |   |   |   |       |   |    |       |       |   |   |   |   |   |   |   |       |   |    |       |       |   |   |   |   |   |   |   |       |   |    |       |       |   |   |   |   |   |   |   |       |   |    |      |       |       |   |   |   |   |   |   |       |   |    |      |       |       |   |   |   |   |   |   |       |   |    |      |       |       |   |   |   |   |   |   |       |   |    |      |       |       |   |   |   |   |   |   |       |   |    |      |       |       |   |   |   |   |   |   |       |   |    |      |       |       |   |   |   |   |   |   |       |   |    |   |      |       |       |   |   |   |   |   |       |   |    |   |      |       |       |   |   |   |   |   |       |   |     |   |      |       |       |   |   |   |   |   |       |   |     |   |      |       |       |   |   |   |   |   |       |   |     |   |      |       |       |   |   |   |   |   |       |   |     |   |      |       |       |   |   |   |   |   |       |   |     |   |      |      |       |   |       |   |   |   |       |   |     |   |   |      |       |   |       |   |   |   |       |   |     |   |   |      |       |   |       |   |   |   |       |   |     |   |   |      |       |   |   |   |   |   |       |   |     |   |   |      |      |   |   |   |   |   |       |   |     |   |   |   |      |   |   |   |   |       |       |   |     |   |   |   |      |      |   |   |   |       |       |   |     |   |   |   |      |      |   |   |   |   |       |   |     |   |   |   |   |      |   |   |   |   |       |   |     |   |   |   |   |      |   |   |   |   |       |   |     |   |   |   |   |      |   |   |   |   |      |   |     |   |   |   |   |   |   |   |   |   |      |      |     |   |   |   |   |   |   |   |   |   |      |      |     |   |   |   |   |   |   |   |   |   |      |      |     |   |   |   |   |   |   |   |   |   |   |      |     |   |   |   |   |   |   |   |   |   |   |      |     |   |   |   |   |   |   |   |   |   |   |      |
| 130  | -     | -       | -     | 88,5   | -    | -           | - | -    | -     | 83,5  | -           |      |  |  |  |  |  |  |  |  |  |  |      |     |  |  |  |  |  |  |  |  |  |  |             |  |     |     |     |     |     |     |  |  |  |  |  |   |   |   |   |   |   |   |   |   |   |   |   |    |   |        |   |   |   |   |   |   |   |   |   |    |   |        |   |   |   |   |   |   |   |   |   |    |   |        |   |   |   |   |   |   |   |   |   |    |       |       |   |   |   |   |   |   |   |       |   |    |       |       |   |   |   |   |   |   |   |       |   |    |       |       |   |   |   |   |   |   |   |       |   |    |       |       |   |   |   |   |   |   |   |       |   |    |       |       |   |   |   |   |   |   |   |       |   |    |       |       |   |   |   |   |   |   |   |       |   |    |       |       |   |   |   |   |   |   |   |       |   |    |      |       |       |   |   |   |   |   |   |       |   |    |      |       |       |   |   |   |   |   |   |       |   |    |      |       |       |   |   |   |   |   |   |       |   |    |      |       |       |   |   |   |   |   |   |       |   |    |      |       |       |   |   |   |   |   |   |       |   |    |      |       |       |   |   |   |   |   |   |       |   |    |   |      |       |       |   |   |   |   |   |       |   |    |   |      |       |       |   |   |   |   |   |       |   |     |   |      |       |       |   |   |   |   |   |       |   |     |   |      |       |       |   |   |   |   |   |       |   |     |   |      |       |       |   |   |   |   |   |       |   |     |   |      |       |       |   |   |   |   |   |       |   |     |   |      |      |       |   |       |   |   |   |       |   |     |   |   |      |       |   |       |   |   |   |       |   |     |   |   |      |       |   |       |   |   |   |       |   |     |   |   |      |       |   |   |   |   |   |       |   |     |   |   |      |      |   |   |   |   |   |       |   |     |   |   |   |      |   |   |   |   |       |       |   |     |   |   |   |      |      |   |   |   |       |       |   |     |   |   |   |      |      |   |   |   |   |       |   |     |   |   |   |   |      |   |   |   |   |       |   |     |   |   |   |   |      |   |   |   |   |       |   |     |   |   |   |   |      |   |   |   |   |      |   |     |   |   |   |   |   |   |   |   |   |      |      |     |   |   |   |   |   |   |   |   |   |      |      |     |   |   |   |   |   |   |   |   |   |      |      |     |   |   |   |   |   |   |   |   |   |   |      |     |   |   |   |   |   |   |   |   |   |   |      |     |   |   |   |   |   |   |   |   |   |   |      |
| 134  | -     | -       | -     | 81,5   | 78,0 | -           | - | -    | -     | 76,0  | -           |      |  |  |  |  |  |  |  |  |  |  |      |     |  |  |  |  |  |  |  |  |  |  |             |  |     |     |     |     |     |     |  |  |  |  |  |   |   |   |   |   |   |   |   |   |   |   |   |    |   |        |   |   |   |   |   |   |   |   |   |    |   |        |   |   |   |   |   |   |   |   |   |    |   |        |   |   |   |   |   |   |   |   |   |    |       |       |   |   |   |   |   |   |   |       |   |    |       |       |   |   |   |   |   |   |   |       |   |    |       |       |   |   |   |   |   |   |   |       |   |    |       |       |   |   |   |   |   |   |   |       |   |    |       |       |   |   |   |   |   |   |   |       |   |    |       |       |   |   |   |   |   |   |   |       |   |    |       |       |   |   |   |   |   |   |   |       |   |    |      |       |       |   |   |   |   |   |   |       |   |    |      |       |       |   |   |   |   |   |   |       |   |    |      |       |       |   |   |   |   |   |   |       |   |    |      |       |       |   |   |   |   |   |   |       |   |    |      |       |       |   |   |   |   |   |   |       |   |    |      |       |       |   |   |   |   |   |   |       |   |    |   |      |       |       |   |   |   |   |   |       |   |    |   |      |       |       |   |   |   |   |   |       |   |     |   |      |       |       |   |   |   |   |   |       |   |     |   |      |       |       |   |   |   |   |   |       |   |     |   |      |       |       |   |   |   |   |   |       |   |     |   |      |       |       |   |   |   |   |   |       |   |     |   |      |      |       |   |       |   |   |   |       |   |     |   |   |      |       |   |       |   |   |   |       |   |     |   |   |      |       |   |       |   |   |   |       |   |     |   |   |      |       |   |   |   |   |   |       |   |     |   |   |      |      |   |   |   |   |   |       |   |     |   |   |   |      |   |   |   |   |       |       |   |     |   |   |   |      |      |   |   |   |       |       |   |     |   |   |   |      |      |   |   |   |   |       |   |     |   |   |   |   |      |   |   |   |   |       |   |     |   |   |   |   |      |   |   |   |   |       |   |     |   |   |   |   |      |   |   |   |   |      |   |     |   |   |   |   |   |   |   |   |   |      |      |     |   |   |   |   |   |   |   |   |   |      |      |     |   |   |   |   |   |   |   |   |   |      |      |     |   |   |   |   |   |   |   |   |   |   |      |     |   |   |   |   |   |   |   |   |   |   |      |     |   |   |   |   |   |   |   |   |   |   |      |
| 138  | -     | -       | -     | 76,0   | 73,5 | -           | - | -    | -     | 67,5  | -           |      |  |  |  |  |  |  |  |  |  |  |      |     |  |  |  |  |  |  |  |  |  |  |             |  |     |     |     |     |     |     |  |  |  |  |  |   |   |   |   |   |   |   |   |   |   |   |   |    |   |        |   |   |   |   |   |   |   |   |   |    |   |        |   |   |   |   |   |   |   |   |   |    |   |        |   |   |   |   |   |   |   |   |   |    |       |       |   |   |   |   |   |   |   |       |   |    |       |       |   |   |   |   |   |   |   |       |   |    |       |       |   |   |   |   |   |   |   |       |   |    |       |       |   |   |   |   |   |   |   |       |   |    |       |       |   |   |   |   |   |   |   |       |   |    |       |       |   |   |   |   |   |   |   |       |   |    |       |       |   |   |   |   |   |   |   |       |   |    |      |       |       |   |   |   |   |   |   |       |   |    |      |       |       |   |   |   |   |   |   |       |   |    |      |       |       |   |   |   |   |   |   |       |   |    |      |       |       |   |   |   |   |   |   |       |   |    |      |       |       |   |   |   |   |   |   |       |   |    |      |       |       |   |   |   |   |   |   |       |   |    |   |      |       |       |   |   |   |   |   |       |   |    |   |      |       |       |   |   |   |   |   |       |   |     |   |      |       |       |   |   |   |   |   |       |   |     |   |      |       |       |   |   |   |   |   |       |   |     |   |      |       |       |   |   |   |   |   |       |   |     |   |      |       |       |   |   |   |   |   |       |   |     |   |      |      |       |   |       |   |   |   |       |   |     |   |   |      |       |   |       |   |   |   |       |   |     |   |   |      |       |   |       |   |   |   |       |   |     |   |   |      |       |   |   |   |   |   |       |   |     |   |   |      |      |   |   |   |   |   |       |   |     |   |   |   |      |   |   |   |   |       |       |   |     |   |   |   |      |      |   |   |   |       |       |   |     |   |   |   |      |      |   |   |   |   |       |   |     |   |   |   |   |      |   |   |   |   |       |   |     |   |   |   |   |      |   |   |   |   |       |   |     |   |   |   |   |      |   |   |   |   |      |   |     |   |   |   |   |   |   |   |   |   |      |      |     |   |   |   |   |   |   |   |   |   |      |      |     |   |   |   |   |   |   |   |   |   |      |      |     |   |   |   |   |   |   |   |   |   |   |      |     |   |   |   |   |   |   |   |   |   |   |      |     |   |   |   |   |   |   |   |   |   |   |      |
| 142  | -     | -       | -     | -      | 69,5 | -           | - | -    | -     | 59,5  | -           |      |  |  |  |  |  |  |  |  |  |  |      |     |  |  |  |  |  |  |  |  |  |  |             |  |     |     |     |     |     |     |  |  |  |  |  |   |   |   |   |   |   |   |   |   |   |   |   |    |   |        |   |   |   |   |   |   |   |   |   |    |   |        |   |   |   |   |   |   |   |   |   |    |   |        |   |   |   |   |   |   |   |   |   |    |       |       |   |   |   |   |   |   |   |       |   |    |       |       |   |   |   |   |   |   |   |       |   |    |       |       |   |   |   |   |   |   |   |       |   |    |       |       |   |   |   |   |   |   |   |       |   |    |       |       |   |   |   |   |   |   |   |       |   |    |       |       |   |   |   |   |   |   |   |       |   |    |       |       |   |   |   |   |   |   |   |       |   |    |      |       |       |   |   |   |   |   |   |       |   |    |      |       |       |   |   |   |   |   |   |       |   |    |      |       |       |   |   |   |   |   |   |       |   |    |      |       |       |   |   |   |   |   |   |       |   |    |      |       |       |   |   |   |   |   |   |       |   |    |      |       |       |   |   |   |   |   |   |       |   |    |   |      |       |       |   |   |   |   |   |       |   |    |   |      |       |       |   |   |   |   |   |       |   |     |   |      |       |       |   |   |   |   |   |       |   |     |   |      |       |       |   |   |   |   |   |       |   |     |   |      |       |       |   |   |   |   |   |       |   |     |   |      |       |       |   |   |   |   |   |       |   |     |   |      |      |       |   |       |   |   |   |       |   |     |   |   |      |       |   |       |   |   |   |       |   |     |   |   |      |       |   |       |   |   |   |       |   |     |   |   |      |       |   |   |   |   |   |       |   |     |   |   |      |      |   |   |   |   |   |       |   |     |   |   |   |      |   |   |   |   |       |       |   |     |   |   |   |      |      |   |   |   |       |       |   |     |   |   |   |      |      |   |   |   |   |       |   |     |   |   |   |   |      |   |   |   |   |       |   |     |   |   |   |   |      |   |   |   |   |       |   |     |   |   |   |   |      |   |   |   |   |      |   |     |   |   |   |   |   |   |   |   |   |      |      |     |   |   |   |   |   |   |   |   |   |      |      |     |   |   |   |   |   |   |   |   |   |      |      |     |   |   |   |   |   |   |   |   |   |   |      |     |   |   |   |   |   |   |   |   |   |   |      |     |   |   |   |   |   |   |   |   |   |   |      |
| 146  | -     | -       | -     | -      | 66,0 | -           | - | -    | -     | 51,5  | -           |      |  |  |  |  |  |  |  |  |  |  |      |     |  |  |  |  |  |  |  |  |  |  |             |  |     |     |     |     |     |     |  |  |  |  |  |   |   |   |   |   |   |   |   |   |   |   |   |    |   |        |   |   |   |   |   |   |   |   |   |    |   |        |   |   |   |   |   |   |   |   |   |    |   |        |   |   |   |   |   |   |   |   |   |    |       |       |   |   |   |   |   |   |   |       |   |    |       |       |   |   |   |   |   |   |   |       |   |    |       |       |   |   |   |   |   |   |   |       |   |    |       |       |   |   |   |   |   |   |   |       |   |    |       |       |   |   |   |   |   |   |   |       |   |    |       |       |   |   |   |   |   |   |   |       |   |    |       |       |   |   |   |   |   |   |   |       |   |    |      |       |       |   |   |   |   |   |   |       |   |    |      |       |       |   |   |   |   |   |   |       |   |    |      |       |       |   |   |   |   |   |   |       |   |    |      |       |       |   |   |   |   |   |   |       |   |    |      |       |       |   |   |   |   |   |   |       |   |    |      |       |       |   |   |   |   |   |   |       |   |    |   |      |       |       |   |   |   |   |   |       |   |    |   |      |       |       |   |   |   |   |   |       |   |     |   |      |       |       |   |   |   |   |   |       |   |     |   |      |       |       |   |   |   |   |   |       |   |     |   |      |       |       |   |   |   |   |   |       |   |     |   |      |       |       |   |   |   |   |   |       |   |     |   |      |      |       |   |       |   |   |   |       |   |     |   |   |      |       |   |       |   |   |   |       |   |     |   |   |      |       |   |       |   |   |   |       |   |     |   |   |      |       |   |   |   |   |   |       |   |     |   |   |      |      |   |   |   |   |   |       |   |     |   |   |   |      |   |   |   |   |       |       |   |     |   |   |   |      |      |   |   |   |       |       |   |     |   |   |   |      |      |   |   |   |   |       |   |     |   |   |   |   |      |   |   |   |   |       |   |     |   |   |   |   |      |   |   |   |   |       |   |     |   |   |   |   |      |   |   |   |   |      |   |     |   |   |   |   |   |   |   |   |   |      |      |     |   |   |   |   |   |   |   |   |   |      |      |     |   |   |   |   |   |   |   |   |   |      |      |     |   |   |   |   |   |   |   |   |   |   |      |     |   |   |   |   |   |   |   |   |   |   |      |     |   |   |   |   |   |   |   |   |   |   |      |
| 150  | -     | -       | -     | -      | 62,5 | -           | - | -    | -     | 44,2  | -           |      |  |  |  |  |  |  |  |  |  |  |      |     |  |  |  |  |  |  |  |  |  |  |             |  |     |     |     |     |     |     |  |  |  |  |  |   |   |   |   |   |   |   |   |   |   |   |   |    |   |        |   |   |   |   |   |   |   |   |   |    |   |        |   |   |   |   |   |   |   |   |   |    |   |        |   |   |   |   |   |   |   |   |   |    |       |       |   |   |   |   |   |   |   |       |   |    |       |       |   |   |   |   |   |   |   |       |   |    |       |       |   |   |   |   |   |   |   |       |   |    |       |       |   |   |   |   |   |   |   |       |   |    |       |       |   |   |   |   |   |   |   |       |   |    |       |       |   |   |   |   |   |   |   |       |   |    |       |       |   |   |   |   |   |   |   |       |   |    |      |       |       |   |   |   |   |   |   |       |   |    |      |       |       |   |   |   |   |   |   |       |   |    |      |       |       |   |   |   |   |   |   |       |   |    |      |       |       |   |   |   |   |   |   |       |   |    |      |       |       |   |   |   |   |   |   |       |   |    |      |       |       |   |   |   |   |   |   |       |   |    |   |      |       |       |   |   |   |   |   |       |   |    |   |      |       |       |   |   |   |   |   |       |   |     |   |      |       |       |   |   |   |   |   |       |   |     |   |      |       |       |   |   |   |   |   |       |   |     |   |      |       |       |   |   |   |   |   |       |   |     |   |      |       |       |   |   |   |   |   |       |   |     |   |      |      |       |   |       |   |   |   |       |   |     |   |   |      |       |   |       |   |   |   |       |   |     |   |   |      |       |   |       |   |   |   |       |   |     |   |   |      |       |   |   |   |   |   |       |   |     |   |   |      |      |   |   |   |   |   |       |   |     |   |   |   |      |   |   |   |   |       |       |   |     |   |   |   |      |      |   |   |   |       |       |   |     |   |   |   |      |      |   |   |   |   |       |   |     |   |   |   |   |      |   |   |   |   |       |   |     |   |   |   |   |      |   |   |   |   |       |   |     |   |   |   |   |      |   |   |   |   |      |   |     |   |   |   |   |   |   |   |   |   |      |      |     |   |   |   |   |   |   |   |   |   |      |      |     |   |   |   |   |   |   |   |   |   |      |      |     |   |   |   |   |   |   |   |   |   |   |      |     |   |   |   |   |   |   |   |   |   |   |      |     |   |   |   |   |   |   |   |   |   |   |      |
| 154  | -     | -       | -     | -      | -    | -           | - | -    | -     | 38,5  | 36,9        |      |  |  |  |  |  |  |  |  |  |  |      |     |  |  |  |  |  |  |  |  |  |  |             |  |     |     |     |     |     |     |  |  |  |  |  |   |   |   |   |   |   |   |   |   |   |   |   |    |   |        |   |   |   |   |   |   |   |   |   |    |   |        |   |   |   |   |   |   |   |   |   |    |   |        |   |   |   |   |   |   |   |   |   |    |       |       |   |   |   |   |   |   |   |       |   |    |       |       |   |   |   |   |   |   |   |       |   |    |       |       |   |   |   |   |   |   |   |       |   |    |       |       |   |   |   |   |   |   |   |       |   |    |       |       |   |   |   |   |   |   |   |       |   |    |       |       |   |   |   |   |   |   |   |       |   |    |       |       |   |   |   |   |   |   |   |       |   |    |      |       |       |   |   |   |   |   |   |       |   |    |      |       |       |   |   |   |   |   |   |       |   |    |      |       |       |   |   |   |   |   |   |       |   |    |      |       |       |   |   |   |   |   |   |       |   |    |      |       |       |   |   |   |   |   |   |       |   |    |      |       |       |   |   |   |   |   |   |       |   |    |   |      |       |       |   |   |   |   |   |       |   |    |   |      |       |       |   |   |   |   |   |       |   |     |   |      |       |       |   |   |   |   |   |       |   |     |   |      |       |       |   |   |   |   |   |       |   |     |   |      |       |       |   |   |   |   |   |       |   |     |   |      |       |       |   |   |   |   |   |       |   |     |   |      |      |       |   |       |   |   |   |       |   |     |   |   |      |       |   |       |   |   |   |       |   |     |   |   |      |       |   |       |   |   |   |       |   |     |   |   |      |       |   |   |   |   |   |       |   |     |   |   |      |      |   |   |   |   |   |       |   |     |   |   |   |      |   |   |   |   |       |       |   |     |   |   |   |      |      |   |   |   |       |       |   |     |   |   |   |      |      |   |   |   |   |       |   |     |   |   |   |   |      |   |   |   |   |       |   |     |   |   |   |   |      |   |   |   |   |       |   |     |   |   |   |   |      |   |   |   |   |      |   |     |   |   |   |   |   |   |   |   |   |      |      |     |   |   |   |   |   |   |   |   |   |      |      |     |   |   |   |   |   |   |   |   |   |      |      |     |   |   |   |   |   |   |   |   |   |   |      |     |   |   |   |   |   |   |   |   |   |   |      |     |   |   |   |   |   |   |   |   |   |   |      |
| 158  | -     | -       | -     | -      | -    | -           | - | -    | -     | 35,9  | 31,6        |      |  |  |  |  |  |  |  |  |  |  |      |     |  |  |  |  |  |  |  |  |  |  |             |  |     |     |     |     |     |     |  |  |  |  |  |   |   |   |   |   |   |   |   |   |   |   |   |    |   |        |   |   |   |   |   |   |   |   |   |    |   |        |   |   |   |   |   |   |   |   |   |    |   |        |   |   |   |   |   |   |   |   |   |    |       |       |   |   |   |   |   |   |   |       |   |    |       |       |   |   |   |   |   |   |   |       |   |    |       |       |   |   |   |   |   |   |   |       |   |    |       |       |   |   |   |   |   |   |   |       |   |    |       |       |   |   |   |   |   |   |   |       |   |    |       |       |   |   |   |   |   |   |   |       |   |    |       |       |   |   |   |   |   |   |   |       |   |    |      |       |       |   |   |   |   |   |   |       |   |    |      |       |       |   |   |   |   |   |   |       |   |    |      |       |       |   |   |   |   |   |   |       |   |    |      |       |       |   |   |   |   |   |   |       |   |    |      |       |       |   |   |   |   |   |   |       |   |    |      |       |       |   |   |   |   |   |   |       |   |    |   |      |       |       |   |   |   |   |   |       |   |    |   |      |       |       |   |   |   |   |   |       |   |     |   |      |       |       |   |   |   |   |   |       |   |     |   |      |       |       |   |   |   |   |   |       |   |     |   |      |       |       |   |   |   |   |   |       |   |     |   |      |       |       |   |   |   |   |   |       |   |     |   |      |      |       |   |       |   |   |   |       |   |     |   |   |      |       |   |       |   |   |   |       |   |     |   |   |      |       |   |       |   |   |   |       |   |     |   |   |      |       |   |   |   |   |   |       |   |     |   |   |      |      |   |   |   |   |   |       |   |     |   |   |   |      |   |   |   |   |       |       |   |     |   |   |   |      |      |   |   |   |       |       |   |     |   |   |   |      |      |   |   |   |   |       |   |     |   |   |   |   |      |   |   |   |   |       |   |     |   |   |   |   |      |   |   |   |   |       |   |     |   |   |   |   |      |   |   |   |   |      |   |     |   |   |   |   |   |   |   |   |   |      |      |     |   |   |   |   |   |   |   |   |   |      |      |     |   |   |   |   |   |   |   |   |   |      |      |     |   |   |   |   |   |   |   |   |   |   |      |     |   |   |   |   |   |   |   |   |   |   |      |     |   |   |   |   |   |   |   |   |   |   |      |
| 160  | -     | -       | -     | -      | -    | -           | - | -    | -     | 34,7  | 29,5        |      |  |  |  |  |  |  |  |  |  |  |      |     |  |  |  |  |  |  |  |  |  |  |             |  |     |     |     |     |     |     |  |  |  |  |  |   |   |   |   |   |   |   |   |   |   |   |   |    |   |        |   |   |   |   |   |   |   |   |   |    |   |        |   |   |   |   |   |   |   |   |   |    |   |        |   |   |   |   |   |   |   |   |   |    |       |       |   |   |   |   |   |   |   |       |   |    |       |       |   |   |   |   |   |   |   |       |   |    |       |       |   |   |   |   |   |   |   |       |   |    |       |       |   |   |   |   |   |   |   |       |   |    |       |       |   |   |   |   |   |   |   |       |   |    |       |       |   |   |   |   |   |   |   |       |   |    |       |       |   |   |   |   |   |   |   |       |   |    |      |       |       |   |   |   |   |   |   |       |   |    |      |       |       |   |   |   |   |   |   |       |   |    |      |       |       |   |   |   |   |   |   |       |   |    |      |       |       |   |   |   |   |   |   |       |   |    |      |       |       |   |   |   |   |   |   |       |   |    |      |       |       |   |   |   |   |   |   |       |   |    |   |      |       |       |   |   |   |   |   |       |   |    |   |      |       |       |   |   |   |   |   |       |   |     |   |      |       |       |   |   |   |   |   |       |   |     |   |      |       |       |   |   |   |   |   |       |   |     |   |      |       |       |   |   |   |   |   |       |   |     |   |      |       |       |   |   |   |   |   |       |   |     |   |      |      |       |   |       |   |   |   |       |   |     |   |   |      |       |   |       |   |   |   |       |   |     |   |   |      |       |   |       |   |   |   |       |   |     |   |   |      |       |   |   |   |   |   |       |   |     |   |   |      |      |   |   |   |   |   |       |   |     |   |   |   |      |   |   |   |   |       |       |   |     |   |   |   |      |      |   |   |   |       |       |   |     |   |   |   |      |      |   |   |   |   |       |   |     |   |   |   |   |      |   |   |   |   |       |   |     |   |   |   |   |      |   |   |   |   |       |   |     |   |   |   |   |      |   |   |   |   |      |   |     |   |   |   |   |   |   |   |   |   |      |      |     |   |   |   |   |   |   |   |   |   |      |      |     |   |   |   |   |   |   |   |   |   |      |      |     |   |   |   |   |   |   |   |   |   |   |      |     |   |   |   |   |   |   |   |   |   |   |      |     |   |   |   |   |   |   |   |   |   |   |      |
| 162  | -     | -       | -     | -      | -    | -           | - | -    | -     | -     | 27,5        |      |  |  |  |  |  |  |  |  |  |  |      |     |  |  |  |  |  |  |  |  |  |  |             |  |     |     |     |     |     |     |  |  |  |  |  |   |   |   |   |   |   |   |   |   |   |   |   |    |   |        |   |   |   |   |   |   |   |   |   |    |   |        |   |   |   |   |   |   |   |   |   |    |   |        |   |   |   |   |   |   |   |   |   |    |       |       |   |   |   |   |   |   |   |       |   |    |       |       |   |   |   |   |   |   |   |       |   |    |       |       |   |   |   |   |   |   |   |       |   |    |       |       |   |   |   |   |   |   |   |       |   |    |       |       |   |   |   |   |   |   |   |       |   |    |       |       |   |   |   |   |   |   |   |       |   |    |       |       |   |   |   |   |   |   |   |       |   |    |      |       |       |   |   |   |   |   |   |       |   |    |      |       |       |   |   |   |   |   |   |       |   |    |      |       |       |   |   |   |   |   |   |       |   |    |      |       |       |   |   |   |   |   |   |       |   |    |      |       |       |   |   |   |   |   |   |       |   |    |      |       |       |   |   |   |   |   |   |       |   |    |   |      |       |       |   |   |   |   |   |       |   |    |   |      |       |       |   |   |   |   |   |       |   |     |   |      |       |       |   |   |   |   |   |       |   |     |   |      |       |       |   |   |   |   |   |       |   |     |   |      |       |       |   |   |   |   |   |       |   |     |   |      |       |       |   |   |   |   |   |       |   |     |   |      |      |       |   |       |   |   |   |       |   |     |   |   |      |       |   |       |   |   |   |       |   |     |   |   |      |       |   |       |   |   |   |       |   |     |   |   |      |       |   |   |   |   |   |       |   |     |   |   |      |      |   |   |   |   |   |       |   |     |   |   |   |      |   |   |   |   |       |       |   |     |   |   |   |      |      |   |   |   |       |       |   |     |   |   |   |      |      |   |   |   |   |       |   |     |   |   |   |   |      |   |   |   |   |       |   |     |   |   |   |   |      |   |   |   |   |       |   |     |   |   |   |   |      |   |   |   |   |      |   |     |   |   |   |   |   |   |   |   |   |      |      |     |   |   |   |   |   |   |   |   |   |      |      |     |   |   |   |   |   |   |   |   |   |      |      |     |   |   |   |   |   |   |   |   |   |   |      |     |   |   |   |   |   |   |   |   |   |   |      |     |   |   |   |   |   |   |   |   |   |   |      |
| 166  | -     | -       | -     | -      | -    | -           | - | -    | -     | -     | 21,5        |      |  |  |  |  |  |  |  |  |  |  |      |     |  |  |  |  |  |  |  |  |  |  |             |  |     |     |     |     |     |     |  |  |  |  |  |   |   |   |   |   |   |   |   |   |   |   |   |    |   |        |   |   |   |   |   |   |   |   |   |    |   |        |   |   |   |   |   |   |   |   |   |    |   |        |   |   |   |   |   |   |   |   |   |    |       |       |   |   |   |   |   |   |   |       |   |    |       |       |   |   |   |   |   |   |   |       |   |    |       |       |   |   |   |   |   |   |   |       |   |    |       |       |   |   |   |   |   |   |   |       |   |    |       |       |   |   |   |   |   |   |   |       |   |    |       |       |   |   |   |   |   |   |   |       |   |    |       |       |   |   |   |   |   |   |   |       |   |    |      |       |       |   |   |   |   |   |   |       |   |    |      |       |       |   |   |   |   |   |   |       |   |    |      |       |       |   |   |   |   |   |   |       |   |    |      |       |       |   |   |   |   |   |   |       |   |    |      |       |       |   |   |   |   |   |   |       |   |    |      |       |       |   |   |   |   |   |   |       |   |    |   |      |       |       |   |   |   |   |   |       |   |    |   |      |       |       |   |   |   |   |   |       |   |     |   |      |       |       |   |   |   |   |   |       |   |     |   |      |       |       |   |   |   |   |   |       |   |     |   |      |       |       |   |   |   |   |   |       |   |     |   |      |       |       |   |   |   |   |   |       |   |     |   |      |      |       |   |       |   |   |   |       |   |     |   |   |      |       |   |       |   |   |   |       |   |     |   |   |      |       |   |       |   |   |   |       |   |     |   |   |      |       |   |   |   |   |   |       |   |     |   |   |      |      |   |   |   |   |   |       |   |     |   |   |   |      |   |   |   |   |       |       |   |     |   |   |   |      |      |   |   |   |       |       |   |     |   |   |   |      |      |   |   |   |   |       |   |     |   |   |   |   |      |   |   |   |   |       |   |     |   |   |   |   |      |   |   |   |   |       |   |     |   |   |   |   |      |   |   |   |   |      |   |     |   |   |   |   |   |   |   |   |   |      |      |     |   |   |   |   |   |   |   |   |   |      |      |     |   |   |   |   |   |   |   |   |   |      |      |     |   |   |   |   |   |   |   |   |   |   |      |     |   |   |   |   |   |   |   |   |   |   |      |     |   |   |   |   |   |   |   |   |   |   |      |
| 170  | -     | -       | -     | -      | -    | -           | - | -    | -     | -     | 14,5        |      |  |  |  |  |  |  |  |  |  |  |      |     |  |  |  |  |  |  |  |  |  |  |             |  |     |     |     |     |     |     |  |  |  |  |  |   |   |   |   |   |   |   |   |   |   |   |   |    |   |        |   |   |   |   |   |   |   |   |   |    |   |        |   |   |   |   |   |   |   |   |   |    |   |        |   |   |   |   |   |   |   |   |   |    |       |       |   |   |   |   |   |   |   |       |   |    |       |       |   |   |   |   |   |   |   |       |   |    |       |       |   |   |   |   |   |   |   |       |   |    |       |       |   |   |   |   |   |   |   |       |   |    |       |       |   |   |   |   |   |   |   |       |   |    |       |       |   |   |   |   |   |   |   |       |   |    |       |       |   |   |   |   |   |   |   |       |   |    |      |       |       |   |   |   |   |   |   |       |   |    |      |       |       |   |   |   |   |   |   |       |   |    |      |       |       |   |   |   |   |   |   |       |   |    |      |       |       |   |   |   |   |   |   |       |   |    |      |       |       |   |   |   |   |   |   |       |   |    |      |       |       |   |   |   |   |   |   |       |   |    |   |      |       |       |   |   |   |   |   |       |   |    |   |      |       |       |   |   |   |   |   |       |   |     |   |      |       |       |   |   |   |   |   |       |   |     |   |      |       |       |   |   |   |   |   |       |   |     |   |      |       |       |   |   |   |   |   |       |   |     |   |      |       |       |   |   |   |   |   |       |   |     |   |      |      |       |   |       |   |   |   |       |   |     |   |   |      |       |   |       |   |   |   |       |   |     |   |   |      |       |   |       |   |   |   |       |   |     |   |   |      |       |   |   |   |   |   |       |   |     |   |   |      |      |   |   |   |   |   |       |   |     |   |   |   |      |   |   |   |   |       |       |   |     |   |   |   |      |      |   |   |   |       |       |   |     |   |   |   |      |      |   |   |   |   |       |   |     |   |   |   |   |      |   |   |   |   |       |   |     |   |   |   |   |      |   |   |   |   |       |   |     |   |   |   |   |      |   |   |   |   |      |   |     |   |   |   |   |   |   |   |   |   |      |      |     |   |   |   |   |   |   |   |   |   |      |      |     |   |   |   |   |   |   |   |   |   |      |      |     |   |   |   |   |   |   |   |   |   |   |      |     |   |   |   |   |   |   |   |   |   |   |      |     |   |   |   |   |   |   |   |   |   |   |      |
| <table border="1"> <thead> <tr> <th colspan="11">SWSL</th> <th>SFSL</th> </tr> <tr> <th colspan="11">0 t</th> <th>0 t - 640 t</th> </tr> <tr> <th></th> <th>85°</th> <th>85°</th> <th>75°</th> <th>65°</th> <th>55°</th> <th>45°</th> <th></th> <th></th> <th></th> <th></th> <th></th> </tr> <tr> <th>m</th> <th>t</th> <th>t</th> <th>t</th> <th>t</th> <th>t</th> <th>t</th> <th>t</th> <th>t</th> <th>t</th> <th>t</th> <th>t</th> </tr> </thead> <tbody> <tr><td>20</td><td>-</td><td>411,0*</td><td>-</td><td>-</td><td>-</td><td>-</td><td>-</td><td>-</td><td>-</td><td>-</td><td>-</td></tr> <tr><td>22</td><td>-</td><td>399,0*</td><td>-</td><td>-</td><td>-</td><td>-</td><td>-</td><td>-</td><td>-</td><td>-</td><td>-</td></tr> <tr><td>24</td><td>-</td><td>386,0*</td><td>-</td><td>-</td><td>-</td><td>-</td><td>-</td><td>-</td><td>-</td><td>-</td><td>-</td></tr> <tr><td>26</td><td>221,0</td><td>430,0</td><td>-</td><td>-</td><td>-</td><td>-</td><td>-</td><td>-</td><td>-</td><td>419,0</td><td>-</td></tr> <tr><td>28</td><td>205,0</td><td>421,0</td><td>-</td><td>-</td><td>-</td><td>-</td><td>-</td><td>-</td><td>-</td><td>419,0</td><td>-</td></tr> <tr><td>30</td><td>192,0</td><td>412,0</td><td>-</td><td>-</td><td>-</td><td>-</td><td>-</td><td>-</td><td>-</td><td>419,0</td><td>-</td></tr> <tr><td>34</td><td>168,0</td><td>392,0</td><td>-</td><td>-</td><td>-</td><td>-</td><td>-</td><td>-</td><td>-</td><td>419,0</td><td>-</td></tr> <tr><td>38</td><td>150,0</td><td>374,0</td><td>-</td><td>-</td><td>-</td><td>-</td><td>-</td><td>-</td><td>-</td><td>419,0</td><td>-</td></tr> <tr><td>42</td><td>134,0</td><td>358,0</td><td>-</td><td>-</td><td>-</td><td>-</td><td>-</td><td>-</td><td>-</td><td>417,0</td><td>-</td></tr> <tr><td>44</td><td>126,0</td><td>334,0</td><td>-</td><td>-</td><td>-</td><td>-</td><td>-</td><td>-</td><td>-</td><td>409,0</td><td>-</td></tr> <tr><td>45</td><td>-</td><td>-</td><td>430,0</td><td>-</td><td>-</td><td>-</td><td>-</td><td>-</td><td>-</td><td>402,5</td><td>-</td></tr> <tr><td>46</td><td>-</td><td>-</td><td>430,0</td><td>-</td><td>-</td><td>-</td><td>-</td><td>-</td><td>-</td><td>397,0</td><td>-</td></tr> <tr><td>50</td><td>-</td><td>-</td><td>417,0</td><td>-</td><td>-</td><td>-</td><td>-</td><td>-</td><td>-</td><td>380,0</td><td>-</td></tr> <tr><td>54</td><td>-</td><td>-</td><td>385,0</td><td>-</td><td>-</td><td>-</td><td>-</td><td>-</td><td>-</td><td>365,0</td><td>-</td></tr> <tr><td>58</td><td>-</td><td>-</td><td>340,0</td><td>-</td><td>-</td><td>-</td><td>-</td><td>-</td><td>-</td><td>332,0</td><td>-</td></tr> <tr><td>62</td><td>-</td><td>-</td><td>-</td><td>-</td><td>-</td><td>-</td><td>-</td><td>-</td><td>-</td><td>302,0</td><td>-</td></tr> <tr><td>64</td><td>-</td><td>-</td><td>-</td><td>291,0</td><td>-</td><td>-</td><td>-</td><td>-</td><td>-</td><td>288,5</td><td>-</td></tr> <tr><td>66</td><td>-</td><td>-</td><td>-</td><td>281,0</td><td>-</td><td>-</td><td>-</td><td>-</td><td>-</td><td>275,0</td><td>-</td></tr> <tr><td>70</td><td>-</td><td>-</td><td>-</td><td>262,0</td><td>-</td><td>-</td><td>-</td><td>-</td><td>-</td><td>252,0</td><td>-</td></tr> <tr><td>73</td><td>-</td><td>-</td><td>-</td><td>250,0</td><td>-</td><td>-</td><td>-</td><td>-</td><td>-</td><td>236,2</td><td>-</td></tr> <tr><td>74</td><td>-</td><td>-</td><td>-</td><td>-</td><td>-</td><td>-</td><td>-</td><td>-</td><td>-</td><td>231,0</td><td>-</td></tr> <tr><td>78</td><td>-</td><td>-</td><td>-</td><td>-</td><td>-</td><td>-</td><td>-</td><td>-</td><td>-</td><td>213,0</td><td>-</td></tr> <tr><td>81</td><td>-</td><td>-</td><td>-</td><td>-</td><td>-</td><td>202,0</td><td>-</td><td>-</td><td>-</td><td>200,2</td><td>-</td></tr> <tr><td>82</td><td>-</td><td>-</td><td>-</td><td>-</td><td>-</td><td>199,0</td><td>-</td><td>-</td><td>-</td><td>196,0</td><td>-</td></tr> <tr><td>86</td><td>-</td><td>-</td><td>-</td><td>-</td><td>-</td><td>188,0</td><td>-</td><td>-</td><td>-</td><td>181,0</td><td>-</td></tr> <tr><td>90</td><td>-</td><td>-</td><td>-</td><td>-</td><td>-</td><td>-</td><td>-</td><td>-</td><td>-</td><td>167,0</td><td>-</td></tr> <tr><td>94</td><td>-</td><td>-</td><td>-</td><td>-</td><td>-</td><td>-</td><td>-</td><td>-</td><td>-</td><td>150,0</td><td>-</td></tr> <tr><td>95</td><td>-</td><td>-</td><td>-</td><td>-</td><td>-</td><td>-</td><td>-</td><td>-</td><td>147,0</td><td>145,7</td><td>-</td></tr> <tr><td>97</td><td>-</td><td>-</td><td>-</td><td>-</td><td>-</td><td>-</td><td>-</td><td>-</td><td>143,0</td><td>137,2</td><td>-</td></tr> <tr><td>98</td><td>-</td><td>-</td><td>-</td><td>-</td><td>-</td><td>-</td><td>-</td><td>-</td><td>-</td><td>133,0</td><td>-</td></tr> <tr><td>102</td><td>-</td><td>-</td><td>-</td><td>-</td><td>-</td><td>-</td><td>-</td><td>-</td><td>-</td><td>116,0</td><td>-</td></tr> <tr><td>106</td><td>-</td><td>-</td><td>-</td><td>-</td><td>-</td><td>-</td><td>-</td><td>-</td><td>-</td><td>100,0</td><td>-</td></tr> </tbody> </table>   |       |         |       |        |      |             |   |      |       |       |             | SWSL |  |  |  |  |  |  |  |  |  |  | SFSL | 0 t |  |  |  |  |  |  |  |  |  |  | 0 t - 640 t |  | 85° | 85° | 75° | 65° | 55° | 45° |  |  |  |  |  | m | t | t | t | t | t | t | t | t | t | t | t | 20 | - | 411,0* | - | - | - | - | - | - | - | - | - | 22 | - | 399,0* | - | - | - | - | - | - | - | - | - | 24 | - | 386,0* | - | - | - | - | - | - | - | - | - | 26 | 221,0 | 430,0 | - | - | - | - | - | - | - | 419,0 | - | 28 | 205,0 | 421,0 | - | - | - | - | - | - | - | 419,0 | - | 30 | 192,0 | 412,0 | - | - | - | - | - | - | - | 419,0 | - | 34 | 168,0 | 392,0 | - | - | - | - | - | - | - | 419,0 | - | 38 | 150,0 | 374,0 | - | - | - | - | - | - | - | 419,0 | - | 42 | 134,0 | 358,0 | - | - | - | - | - | - | - | 417,0 | - | 44 | 126,0 | 334,0 | - | - | - | - | - | - | - | 409,0 | - | 45 | -    | -     | 430,0 | - | - | - | - | - | - | 402,5 | - | 46 | -    | -     | 430,0 | - | - | - | - | - | - | 397,0 | - | 50 | -    | -     | 417,0 | - | - | - | - | - | - | 380,0 | - | 54 | -    | -     | 385,0 | - | - | - | - | - | - | 365,0 | - | 58 | -    | -     | 340,0 | - | - | - | - | - | - | 332,0 | - | 62 | -    | -     | -     | - | - | - | - | - | - | 302,0 | - | 64 | - | -    | -     | 291,0 | - | - | - | - | - | 288,5 | - | 66 | - | -    | -     | 281,0 | - | - | - | - | - | 275,0 | - | 70  | - | -    | -     | 262,0 | - | - | - | - | - | 252,0 | - | 73  | - | -    | -     | 250,0 | - | - | - | - | - | 236,2 | - | 74  | - | -    | -     | -     | - | - | - | - | - | 231,0 | - | 78  | - | -    | -     | -     | - | - | - | - | - | 213,0 | - | 81  | - | -    | -    | -     | - | 202,0 | - | - | - | 200,2 | - | 82  | - | - | -    | -     | - | 199,0 | - | - | - | 196,0 | - | 86  | - | - | -    | -     | - | 188,0 | - | - | - | 181,0 | - | 90  | - | - | -    | -     | - | - | - | - | - | 167,0 | - | 94  | - | - | -    | -    | - | - | - | - | - | 150,0 | - | 95  | - | - | - | -    | - | - | - | - | 147,0 | 145,7 | - | 97  | - | - | - | -    | -    | - | - | - | 143,0 | 137,2 | - | 98  | - | - | - | -    | -    | - | - | - | - | 133,0 | - | 102 | - | - | - | - | -    | - | - | - | - | 116,0 | - | 106 | - | - | - | - | -    | - | - | - | - | 100,0 | - |     |   |   |   |   |      |   |   |   |   |      |   |     |   |   |   |   |   |   |   |   |   |      |      |     |   |   |   |   |   |   |   |   |   |      |      |     |   |   |   |   |   |   |   |   |   |      |      |     |   |   |   |   |   |   |   |   |   |   |      |     |   |   |   |   |   |   |   |   |   |   |      |     |   |   |   |   |   |   |   |   |   |   |      |
| SWSL   |       |         |       |        |      |             |   |      |       |       | SFSL        |      |  |  |  |  |  |  |  |  |  |  |      |     |  |  |  |  |  |  |  |  |  |  |             |  |     |     |     |     |     |     |  |  |  |  |  |   |   |   |   |   |   |   |   |   |   |   |   |    |   |        |   |   |   |   |   |   |   |   |   |    |   |        |   |   |   |   |   |   |   |   |   |    |   |        |   |   |   |   |   |   |   |   |   |    |       |       |   |   |   |   |   |   |   |       |   |    |       |       |   |   |   |   |   |   |   |       |   |    |       |       |   |   |   |   |   |   |   |       |   |    |       |       |   |   |   |   |   |   |   |       |   |    |       |       |   |   |   |   |   |   |   |       |   |    |       |       |   |   |   |   |   |   |   |       |   |    |       |       |   |   |   |   |   |   |   |       |   |    |      |       |       |   |   |   |   |   |   |       |   |    |      |       |       |   |   |   |   |   |   |       |   |    |      |       |       |   |   |   |   |   |   |       |   |    |      |       |       |   |   |   |   |   |   |       |   |    |      |       |       |   |   |   |   |   |   |       |   |    |      |       |       |   |   |   |   |   |   |       |   |    |   |      |       |       |   |   |   |   |   |       |   |    |   |      |       |       |   |   |   |   |   |       |   |     |   |      |       |       |   |   |   |   |   |       |   |     |   |      |       |       |   |   |   |   |   |       |   |     |   |      |       |       |   |   |   |   |   |       |   |     |   |      |       |       |   |   |   |   |   |       |   |     |   |      |      |       |   |       |   |   |   |       |   |     |   |   |      |       |   |       |   |   |   |       |   |     |   |   |      |       |   |       |   |   |   |       |   |     |   |   |      |       |   |   |   |   |   |       |   |     |   |   |      |      |   |   |   |   |   |       |   |     |   |   |   |      |   |   |   |   |       |       |   |     |   |   |   |      |      |   |   |   |       |       |   |     |   |   |   |      |      |   |   |   |   |       |   |     |   |   |   |   |      |   |   |   |   |       |   |     |   |   |   |   |      |   |   |   |   |       |   |     |   |   |   |   |      |   |   |   |   |      |   |     |   |   |   |   |   |   |   |   |   |      |      |     |   |   |   |   |   |   |   |   |   |      |      |     |   |   |   |   |   |   |   |   |   |      |      |     |   |   |   |   |   |   |   |   |   |   |      |     |   |   |   |   |   |   |   |   |   |   |      |     |   |   |   |   |   |   |   |   |   |   |      |
| 0 t  |       |         |       |        |      |             |   |      |       |       | 0 t - 640 t |      |  |  |  |  |  |  |  |  |  |  |      |     |  |  |  |  |  |  |  |  |  |  |             |  |     |     |     |     |     |     |  |  |  |  |  |   |   |   |   |   |   |   |   |   |   |   |   |    |   |        |   |   |   |   |   |   |   |   |   |    |   |        |   |   |   |   |   |   |   |   |   |    |   |        |   |   |   |   |   |   |   |   |   |    |       |       |   |   |   |   |   |   |   |       |   |    |       |       |   |   |   |   |   |   |   |       |   |    |       |       |   |   |   |   |   |   |   |       |   |    |       |       |   |   |   |   |   |   |   |       |   |    |       |       |   |   |   |   |   |   |   |       |   |    |       |       |   |   |   |   |   |   |   |       |   |    |       |       |   |   |   |   |   |   |   |       |   |    |      |       |       |   |   |   |   |   |   |       |   |    |      |       |       |   |   |   |   |   |   |       |   |    |      |       |       |   |   |   |   |   |   |       |   |    |      |       |       |   |   |   |   |   |   |       |   |    |      |       |       |   |   |   |   |   |   |       |   |    |      |       |       |   |   |   |   |   |   |       |   |    |   |      |       |       |   |   |   |   |   |       |   |    |   |      |       |       |   |   |   |   |   |       |   |     |   |      |       |       |   |   |   |   |   |       |   |     |   |      |       |       |   |   |   |   |   |       |   |     |   |      |       |       |   |   |   |   |   |       |   |     |   |      |       |       |   |   |   |   |   |       |   |     |   |      |      |       |   |       |   |   |   |       |   |     |   |   |      |       |   |       |   |   |   |       |   |     |   |   |      |       |   |       |   |   |   |       |   |     |   |   |      |       |   |   |   |   |   |       |   |     |   |   |      |      |   |   |   |   |   |       |   |     |   |   |   |      |   |   |   |   |       |       |   |     |   |   |   |      |      |   |   |   |       |       |   |     |   |   |   |      |      |   |   |   |   |       |   |     |   |   |   |   |      |   |   |   |   |       |   |     |   |   |   |   |      |   |   |   |   |       |   |     |   |   |   |   |      |   |   |   |   |      |   |     |   |   |   |   |   |   |   |   |   |      |      |     |   |   |   |   |   |   |   |   |   |      |      |     |   |   |   |   |   |   |   |   |   |      |      |     |   |   |   |   |   |   |   |   |   |   |      |     |   |   |   |   |   |   |   |   |   |   |      |     |   |   |   |   |   |   |   |   |   |   |      |
|  | 85°   | 85°     | 75°   | 65°    | 55°  | 45°         |   |      |       |       |             |      |  |  |  |  |  |  |  |  |  |  |      |     |  |  |  |  |  |  |  |  |  |  |             |  |     |     |     |     |     |     |  |  |  |  |  |   |   |   |   |   |   |   |   |   |   |   |   |    |   |        |   |   |   |   |   |   |   |   |   |    |   |        |   |   |   |   |   |   |   |   |   |    |   |        |   |   |   |   |   |   |   |   |   |    |       |       |   |   |   |   |   |   |   |       |   |    |       |       |   |   |   |   |   |   |   |       |   |    |       |       |   |   |   |   |   |   |   |       |   |    |       |       |   |   |   |   |   |   |   |       |   |    |       |       |   |   |   |   |   |   |   |       |   |    |       |       |   |   |   |   |   |   |   |       |   |    |       |       |   |   |   |   |   |   |   |       |   |    |      |       |       |   |   |   |   |   |   |       |   |    |      |       |       |   |   |   |   |   |   |       |   |    |      |       |       |   |   |   |   |   |   |       |   |    |      |       |       |   |   |   |   |   |   |       |   |    |      |       |       |   |   |   |   |   |   |       |   |    |      |       |       |   |   |   |   |   |   |       |   |    |   |      |       |       |   |   |   |   |   |       |   |    |   |      |       |       |   |   |   |   |   |       |   |     |   |      |       |       |   |   |   |   |   |       |   |     |   |      |       |       |   |   |   |   |   |       |   |     |   |      |       |       |   |   |   |   |   |       |   |     |   |      |       |       |   |   |   |   |   |       |   |     |   |      |      |       |   |       |   |   |   |       |   |     |   |   |      |       |   |       |   |   |   |       |   |     |   |   |      |       |   |       |   |   |   |       |   |     |   |   |      |       |   |   |   |   |   |       |   |     |   |   |      |      |   |   |   |   |   |       |   |     |   |   |   |      |   |   |   |   |       |       |   |     |   |   |   |      |      |   |   |   |       |       |   |     |   |   |   |      |      |   |   |   |   |       |   |     |   |   |   |   |      |   |   |   |   |       |   |     |   |   |   |   |      |   |   |   |   |       |   |     |   |   |   |   |      |   |   |   |   |      |   |     |   |   |   |   |   |   |   |   |   |      |      |     |   |   |   |   |   |   |   |   |   |      |      |     |   |   |   |   |   |   |   |   |   |      |      |     |   |   |   |   |   |   |   |   |   |   |      |     |   |   |   |   |   |   |   |   |   |   |      |     |   |   |   |   |   |   |   |   |   |   |      |
| m  | t     | t       | t     | t      | t    | t           | t | t    | t     | t     | t           |      |  |  |  |  |  |  |  |  |  |  |      |     |  |  |  |  |  |  |  |  |  |  |             |  |     |     |     |     |     |     |  |  |  |  |  |   |   |   |   |   |   |   |   |   |   |   |   |    |   |        |   |   |   |   |   |   |   |   |   |    |   |        |   |   |   |   |   |   |   |   |   |    |   |        |   |   |   |   |   |   |   |   |   |    |       |       |   |   |   |   |   |   |   |       |   |    |       |       |   |   |   |   |   |   |   |       |   |    |       |       |   |   |   |   |   |   |   |       |   |    |       |       |   |   |   |   |   |   |   |       |   |    |       |       |   |   |   |   |   |   |   |       |   |    |       |       |   |   |   |   |   |   |   |       |   |    |       |       |   |   |   |   |   |   |   |       |   |    |      |       |       |   |   |   |   |   |   |       |   |    |      |       |       |   |   |   |   |   |   |       |   |    |      |       |       |   |   |   |   |   |   |       |   |    |      |       |       |   |   |   |   |   |   |       |   |    |      |       |       |   |   |   |   |   |   |       |   |    |      |       |       |   |   |   |   |   |   |       |   |    |   |      |       |       |   |   |   |   |   |       |   |    |   |      |       |       |   |   |   |   |   |       |   |     |   |      |       |       |   |   |   |   |   |       |   |     |   |      |       |       |   |   |   |   |   |       |   |     |   |      |       |       |   |   |   |   |   |       |   |     |   |      |       |       |   |   |   |   |   |       |   |     |   |      |      |       |   |       |   |   |   |       |   |     |   |   |      |       |   |       |   |   |   |       |   |     |   |   |      |       |   |       |   |   |   |       |   |     |   |   |      |       |   |   |   |   |   |       |   |     |   |   |      |      |   |   |   |   |   |       |   |     |   |   |   |      |   |   |   |   |       |       |   |     |   |   |   |      |      |   |   |   |       |       |   |     |   |   |   |      |      |   |   |   |   |       |   |     |   |   |   |   |      |   |   |   |   |       |   |     |   |   |   |   |      |   |   |   |   |       |   |     |   |   |   |   |      |   |   |   |   |      |   |     |   |   |   |   |   |   |   |   |   |      |      |     |   |   |   |   |   |   |   |   |   |      |      |     |   |   |   |   |   |   |   |   |   |      |      |     |   |   |   |   |   |   |   |   |   |   |      |     |   |   |   |   |   |   |   |   |   |   |      |     |   |   |   |   |   |   |   |   |   |   |      |
| 20   | -     | 411,0*  | -     | -      | -    | -           | - | -    | -     | -     | -           |      |  |  |  |  |  |  |  |  |  |  |      |     |  |  |  |  |  |  |  |  |  |  |             |  |     |     |     |     |     |     |  |  |  |  |  |   |   |   |   |   |   |   |   |   |   |   |   |    |   |        |   |   |   |   |   |   |   |   |   |    |   |        |   |   |   |   |   |   |   |   |   |    |   |        |   |   |   |   |   |   |   |   |   |    |       |       |   |   |   |   |   |   |   |       |   |    |       |       |   |   |   |   |   |   |   |       |   |    |       |       |   |   |   |   |   |   |   |       |   |    |       |       |   |   |   |   |   |   |   |       |   |    |       |       |   |   |   |   |   |   |   |       |   |    |       |       |   |   |   |   |   |   |   |       |   |    |       |       |   |   |   |   |   |   |   |       |   |    |      |       |       |   |   |   |   |   |   |       |   |    |      |       |       |   |   |   |   |   |   |       |   |    |      |       |       |   |   |   |   |   |   |       |   |    |      |       |       |   |   |   |   |   |   |       |   |    |      |       |       |   |   |   |   |   |   |       |   |    |      |       |       |   |   |   |   |   |   |       |   |    |   |      |       |       |   |   |   |   |   |       |   |    |   |      |       |       |   |   |   |   |   |       |   |     |   |      |       |       |   |   |   |   |   |       |   |     |   |      |       |       |   |   |   |   |   |       |   |     |   |      |       |       |   |   |   |   |   |       |   |     |   |      |       |       |   |   |   |   |   |       |   |     |   |      |      |       |   |       |   |   |   |       |   |     |   |   |      |       |   |       |   |   |   |       |   |     |   |   |      |       |   |       |   |   |   |       |   |     |   |   |      |       |   |   |   |   |   |       |   |     |   |   |      |      |   |   |   |   |   |       |   |     |   |   |   |      |   |   |   |   |       |       |   |     |   |   |   |      |      |   |   |   |       |       |   |     |   |   |   |      |      |   |   |   |   |       |   |     |   |   |   |   |      |   |   |   |   |       |   |     |   |   |   |   |      |   |   |   |   |       |   |     |   |   |   |   |      |   |   |   |   |      |   |     |   |   |   |   |   |   |   |   |   |      |      |     |   |   |   |   |   |   |   |   |   |      |      |     |   |   |   |   |   |   |   |   |   |      |      |     |   |   |   |   |   |   |   |   |   |   |      |     |   |   |   |   |   |   |   |   |   |   |      |     |   |   |   |   |   |   |   |   |   |   |      |
| 22   | -     | 399,0*  | -     | -      | -    | -           | - | -    | -     | -     | -           |      |  |  |  |  |  |  |  |  |  |  |      |     |  |  |  |  |  |  |  |  |  |  |             |  |     |     |     |     |     |     |  |  |  |  |  |   |   |   |   |   |   |   |   |   |   |   |   |    |   |        |   |   |   |   |   |   |   |   |   |    |   |        |   |   |   |   |   |   |   |   |   |    |   |        |   |   |   |   |   |   |   |   |   |    |       |       |   |   |   |   |   |   |   |       |   |    |       |       |   |   |   |   |   |   |   |       |   |    |       |       |   |   |   |   |   |   |   |       |   |    |       |       |   |   |   |   |   |   |   |       |   |    |       |       |   |   |   |   |   |   |   |       |   |    |       |       |   |   |   |   |   |   |   |       |   |    |       |       |   |   |   |   |   |   |   |       |   |    |      |       |       |   |   |   |   |   |   |       |   |    |      |       |       |   |   |   |   |   |   |       |   |    |      |       |       |   |   |   |   |   |   |       |   |    |      |       |       |   |   |   |   |   |   |       |   |    |      |       |       |   |   |   |   |   |   |       |   |    |      |       |       |   |   |   |   |   |   |       |   |    |   |      |       |       |   |   |   |   |   |       |   |    |   |      |       |       |   |   |   |   |   |       |   |     |   |      |       |       |   |   |   |   |   |       |   |     |   |      |       |       |   |   |   |   |   |       |   |     |   |      |       |       |   |   |   |   |   |       |   |     |   |      |       |       |   |   |   |   |   |       |   |     |   |      |      |       |   |       |   |   |   |       |   |     |   |   |      |       |   |       |   |   |   |       |   |     |   |   |      |       |   |       |   |   |   |       |   |     |   |   |      |       |   |   |   |   |   |       |   |     |   |   |      |      |   |   |   |   |   |       |   |     |   |   |   |      |   |   |   |   |       |       |   |     |   |   |   |      |      |   |   |   |       |       |   |     |   |   |   |      |      |   |   |   |   |       |   |     |   |   |   |   |      |   |   |   |   |       |   |     |   |   |   |   |      |   |   |   |   |       |   |     |   |   |   |   |      |   |   |   |   |      |   |     |   |   |   |   |   |   |   |   |   |      |      |     |   |   |   |   |   |   |   |   |   |      |      |     |   |   |   |   |   |   |   |   |   |      |      |     |   |   |   |   |   |   |   |   |   |   |      |     |   |   |   |   |   |   |   |   |   |   |      |     |   |   |   |   |   |   |   |   |   |   |      |
| 24   | -     | 386,0*  | -     | -      | -    | -           | - | -    | -     | -     | -           |      |  |  |  |  |  |  |  |  |  |  |      |     |  |  |  |  |  |  |  |  |  |  |             |  |     |     |     |     |     |     |  |  |  |  |  |   |   |   |   |   |   |   |   |   |   |   |   |    |   |        |   |   |   |   |   |   |   |   |   |    |   |        |   |   |   |   |   |   |   |   |   |    |   |        |   |   |   |   |   |   |   |   |   |    |       |       |   |   |   |   |   |   |   |       |   |    |       |       |   |   |   |   |   |   |   |       |   |    |       |       |   |   |   |   |   |   |   |       |   |    |       |       |   |   |   |   |   |   |   |       |   |    |       |       |   |   |   |   |   |   |   |       |   |    |       |       |   |   |   |   |   |   |   |       |   |    |       |       |   |   |   |   |   |   |   |       |   |    |      |       |       |   |   |   |   |   |   |       |   |    |      |       |       |   |   |   |   |   |   |       |   |    |      |       |       |   |   |   |   |   |   |       |   |    |      |       |       |   |   |   |   |   |   |       |   |    |      |       |       |   |   |   |   |   |   |       |   |    |      |       |       |   |   |   |   |   |   |       |   |    |   |      |       |       |   |   |   |   |   |       |   |    |   |      |       |       |   |   |   |   |   |       |   |     |   |      |       |       |   |   |   |   |   |       |   |     |   |      |       |       |   |   |   |   |   |       |   |     |   |      |       |       |   |   |   |   |   |       |   |     |   |      |       |       |   |   |   |   |   |       |   |     |   |      |      |       |   |       |   |   |   |       |   |     |   |   |      |       |   |       |   |   |   |       |   |     |   |   |      |       |   |       |   |   |   |       |   |     |   |   |      |       |   |   |   |   |   |       |   |     |   |   |      |      |   |   |   |   |   |       |   |     |   |   |   |      |   |   |   |   |       |       |   |     |   |   |   |      |      |   |   |   |       |       |   |     |   |   |   |      |      |   |   |   |   |       |   |     |   |   |   |   |      |   |   |   |   |       |   |     |   |   |   |   |      |   |   |   |   |       |   |     |   |   |   |   |      |   |   |   |   |      |   |     |   |   |   |   |   |   |   |   |   |      |      |     |   |   |   |   |   |   |   |   |   |      |      |     |   |   |   |   |   |   |   |   |   |      |      |     |   |   |   |   |   |   |   |   |   |   |      |     |   |   |   |   |   |   |   |   |   |   |      |     |   |   |   |   |   |   |   |   |   |   |      |
| 26   | 221,0 | 430,0   | -     | -      | -    | -           | - | -    | -     | 419,0 | -           |      |  |  |  |  |  |  |  |  |  |  |      |     |  |  |  |  |  |  |  |  |  |  |             |  |     |     |     |     |     |     |  |  |  |  |  |   |   |   |   |   |   |   |   |   |   |   |   |    |   |        |   |   |   |   |   |   |   |   |   |    |   |        |   |   |   |   |   |   |   |   |   |    |   |        |   |   |   |   |   |   |   |   |   |    |       |       |   |   |   |   |   |   |   |       |   |    |       |       |   |   |   |   |   |   |   |       |   |    |       |       |   |   |   |   |   |   |   |       |   |    |       |       |   |   |   |   |   |   |   |       |   |    |       |       |   |   |   |   |   |   |   |       |   |    |       |       |   |   |   |   |   |   |   |       |   |    |       |       |   |   |   |   |   |   |   |       |   |    |      |       |       |   |   |   |   |   |   |       |   |    |      |       |       |   |   |   |   |   |   |       |   |    |      |       |       |   |   |   |   |   |   |       |   |    |      |       |       |   |   |   |   |   |   |       |   |    |      |       |       |   |   |   |   |   |   |       |   |    |      |       |       |   |   |   |   |   |   |       |   |    |   |      |       |       |   |   |   |   |   |       |   |    |   |      |       |       |   |   |   |   |   |       |   |     |   |      |       |       |   |   |   |   |   |       |   |     |   |      |       |       |   |   |   |   |   |       |   |     |   |      |       |       |   |   |   |   |   |       |   |     |   |      |       |       |   |   |   |   |   |       |   |     |   |      |      |       |   |       |   |   |   |       |   |     |   |   |      |       |   |       |   |   |   |       |   |     |   |   |      |       |   |       |   |   |   |       |   |     |   |   |      |       |   |   |   |   |   |       |   |     |   |   |      |      |   |   |   |   |   |       |   |     |   |   |   |      |   |   |   |   |       |       |   |     |   |   |   |      |      |   |   |   |       |       |   |     |   |   |   |      |      |   |   |   |   |       |   |     |   |   |   |   |      |   |   |   |   |       |   |     |   |   |   |   |      |   |   |   |   |       |   |     |   |   |   |   |      |   |   |   |   |      |   |     |   |   |   |   |   |   |   |   |   |      |      |     |   |   |   |   |   |   |   |   |   |      |      |     |   |   |   |   |   |   |   |   |   |      |      |     |   |   |   |   |   |   |   |   |   |   |      |     |   |   |   |   |   |   |   |   |   |   |      |     |   |   |   |   |   |   |   |   |   |   |      |
| 28   | 205,0 | 421,0   | -     | -      | -    | -           | - | -    | -     | 419,0 | -           |      |  |  |  |  |  |  |  |  |  |  |      |     |  |  |  |  |  |  |  |  |  |  |             |  |     |     |     |     |     |     |  |  |  |  |  |   |   |   |   |   |   |   |   |   |   |   |   |    |   |        |   |   |   |   |   |   |   |   |   |    |   |        |   |   |   |   |   |   |   |   |   |    |   |        |   |   |   |   |   |   |   |   |   |    |       |       |   |   |   |   |   |   |   |       |   |    |       |       |   |   |   |   |   |   |   |       |   |    |       |       |   |   |   |   |   |   |   |       |   |    |       |       |   |   |   |   |   |   |   |       |   |    |       |       |   |   |   |   |   |   |   |       |   |    |       |       |   |   |   |   |   |   |   |       |   |    |       |       |   |   |   |   |   |   |   |       |   |    |      |       |       |   |   |   |   |   |   |       |   |    |      |       |       |   |   |   |   |   |   |       |   |    |      |       |       |   |   |   |   |   |   |       |   |    |      |       |       |   |   |   |   |   |   |       |   |    |      |       |       |   |   |   |   |   |   |       |   |    |      |       |       |   |   |   |   |   |   |       |   |    |   |      |       |       |   |   |   |   |   |       |   |    |   |      |       |       |   |   |   |   |   |       |   |     |   |      |       |       |   |   |   |   |   |       |   |     |   |      |       |       |   |   |   |   |   |       |   |     |   |      |       |       |   |   |   |   |   |       |   |     |   |      |       |       |   |   |   |   |   |       |   |     |   |      |      |       |   |       |   |   |   |       |   |     |   |   |      |       |   |       |   |   |   |       |   |     |   |   |      |       |   |       |   |   |   |       |   |     |   |   |      |       |   |   |   |   |   |       |   |     |   |   |      |      |   |   |   |   |   |       |   |     |   |   |   |      |   |   |   |   |       |       |   |     |   |   |   |      |      |   |   |   |       |       |   |     |   |   |   |      |      |   |   |   |   |       |   |     |   |   |   |   |      |   |   |   |   |       |   |     |   |   |   |   |      |   |   |   |   |       |   |     |   |   |   |   |      |   |   |   |   |      |   |     |   |   |   |   |   |   |   |   |   |      |      |     |   |   |   |   |   |   |   |   |   |      |      |     |   |   |   |   |   |   |   |   |   |      |      |     |   |   |   |   |   |   |   |   |   |   |      |     |   |   |   |   |   |   |   |   |   |   |      |     |   |   |   |   |   |   |   |   |   |   |      |
| 30   | 192,0 | 412,0   | -     | -      | -    | -           | - | -    | -     | 419,0 | -           |      |  |  |  |  |  |  |  |  |  |  |      |     |  |  |  |  |  |  |  |  |  |  |             |  |     |     |     |     |     |     |  |  |  |  |  |   |   |   |   |   |   |   |   |   |   |   |   |    |   |        |   |   |   |   |   |   |   |   |   |    |   |        |   |   |   |   |   |   |   |   |   |    |   |        |   |   |   |   |   |   |   |   |   |    |       |       |   |   |   |   |   |   |   |       |   |    |       |       |   |   |   |   |   |   |   |       |   |    |       |       |   |   |   |   |   |   |   |       |   |    |       |       |   |   |   |   |   |   |   |       |   |    |       |       |   |   |   |   |   |   |   |       |   |    |       |       |   |   |   |   |   |   |   |       |   |    |       |       |   |   |   |   |   |   |   |       |   |    |      |       |       |   |   |   |   |   |   |       |   |    |      |       |       |   |   |   |   |   |   |       |   |    |      |       |       |   |   |   |   |   |   |       |   |    |      |       |       |   |   |   |   |   |   |       |   |    |      |       |       |   |   |   |   |   |   |       |   |    |      |       |       |   |   |   |   |   |   |       |   |    |   |      |       |       |   |   |   |   |   |       |   |    |   |      |       |       |   |   |   |   |   |       |   |     |   |      |       |       |   |   |   |   |   |       |   |     |   |      |       |       |   |   |   |   |   |       |   |     |   |      |       |       |   |   |   |   |   |       |   |     |   |      |       |       |   |   |   |   |   |       |   |     |   |      |      |       |   |       |   |   |   |       |   |     |   |   |      |       |   |       |   |   |   |       |   |     |   |   |      |       |   |       |   |   |   |       |   |     |   |   |      |       |   |   |   |   |   |       |   |     |   |   |      |      |   |   |   |   |   |       |   |     |   |   |   |      |   |   |   |   |       |       |   |     |   |   |   |      |      |   |   |   |       |       |   |     |   |   |   |      |      |   |   |   |   |       |   |     |   |   |   |   |      |   |   |   |   |       |   |     |   |   |   |   |      |   |   |   |   |       |   |     |   |   |   |   |      |   |   |   |   |      |   |     |   |   |   |   |   |   |   |   |   |      |      |     |   |   |   |   |   |   |   |   |   |      |      |     |   |   |   |   |   |   |   |   |   |      |      |     |   |   |   |   |   |   |   |   |   |   |      |     |   |   |   |   |   |   |   |   |   |   |      |     |   |   |   |   |   |   |   |   |   |   |      |
| 34   | 168,0 | 392,0   | -     | -      | -    | -           | - | -    | -     | 419,0 | -           |      |  |  |  |  |  |  |  |  |  |  |      |     |  |  |  |  |  |  |  |  |  |  |             |  |     |     |     |     |     |     |  |  |  |  |  |   |   |   |   |   |   |   |   |   |   |   |   |    |   |        |   |   |   |   |   |   |   |   |   |    |   |        |   |   |   |   |   |   |   |   |   |    |   |        |   |   |   |   |   |   |   |   |   |    |       |       |   |   |   |   |   |   |   |       |   |    |       |       |   |   |   |   |   |   |   |       |   |    |       |       |   |   |   |   |   |   |   |       |   |    |       |       |   |   |   |   |   |   |   |       |   |    |       |       |   |   |   |   |   |   |   |       |   |    |       |       |   |   |   |   |   |   |   |       |   |    |       |       |   |   |   |   |   |   |   |       |   |    |      |       |       |   |   |   |   |   |   |       |   |    |      |       |       |   |   |   |   |   |   |       |   |    |      |       |       |   |   |   |   |   |   |       |   |    |      |       |       |   |   |   |   |   |   |       |   |    |      |       |       |   |   |   |   |   |   |       |   |    |      |       |       |   |   |   |   |   |   |       |   |    |   |      |       |       |   |   |   |   |   |       |   |    |   |      |       |       |   |   |   |   |   |       |   |     |   |      |       |       |   |   |   |   |   |       |   |     |   |      |       |       |   |   |   |   |   |       |   |     |   |      |       |       |   |   |   |   |   |       |   |     |   |      |       |       |   |   |   |   |   |       |   |     |   |      |      |       |   |       |   |   |   |       |   |     |   |   |      |       |   |       |   |   |   |       |   |     |   |   |      |       |   |       |   |   |   |       |   |     |   |   |      |       |   |   |   |   |   |       |   |     |   |   |      |      |   |   |   |   |   |       |   |     |   |   |   |      |   |   |   |   |       |       |   |     |   |   |   |      |      |   |   |   |       |       |   |     |   |   |   |      |      |   |   |   |   |       |   |     |   |   |   |   |      |   |   |   |   |       |   |     |   |   |   |   |      |   |   |   |   |       |   |     |   |   |   |   |      |   |   |   |   |      |   |     |   |   |   |   |   |   |   |   |   |      |      |     |   |   |   |   |   |   |   |   |   |      |      |     |   |   |   |   |   |   |   |   |   |      |      |     |   |   |   |   |   |   |   |   |   |   |      |     |   |   |   |   |   |   |   |   |   |   |      |     |   |   |   |   |   |   |   |   |   |   |      |
| 38   | 150,0 | 374,0   | -     | -      | -    | -           | - | -    | -     | 419,0 | -           |      |  |  |  |  |  |  |  |  |  |  |      |     |  |  |  |  |  |  |  |  |  |  |             |  |     |     |     |     |     |     |  |  |  |  |  |   |   |   |   |   |   |   |   |   |   |   |   |    |   |        |   |   |   |   |   |   |   |   |   |    |   |        |   |   |   |   |   |   |   |   |   |    |   |        |   |   |   |   |   |   |   |   |   |    |       |       |   |   |   |   |   |   |   |       |   |    |       |       |   |   |   |   |   |   |   |       |   |    |       |       |   |   |   |   |   |   |   |       |   |    |       |       |   |   |   |   |   |   |   |       |   |    |       |       |   |   |   |   |   |   |   |       |   |    |       |       |   |   |   |   |   |   |   |       |   |    |       |       |   |   |   |   |   |   |   |       |   |    |      |       |       |   |   |   |   |   |   |       |   |    |      |       |       |   |   |   |   |   |   |       |   |    |      |       |       |   |   |   |   |   |   |       |   |    |      |       |       |   |   |   |   |   |   |       |   |    |      |       |       |   |   |   |   |   |   |       |   |    |      |       |       |   |   |   |   |   |   |       |   |    |   |      |       |       |   |   |   |   |   |       |   |    |   |      |       |       |   |   |   |   |   |       |   |     |   |      |       |       |   |   |   |   |   |       |   |     |   |      |       |       |   |   |   |   |   |       |   |     |   |      |       |       |   |   |   |   |   |       |   |     |   |      |       |       |   |   |   |   |   |       |   |     |   |      |      |       |   |       |   |   |   |       |   |     |   |   |      |       |   |       |   |   |   |       |   |     |   |   |      |       |   |       |   |   |   |       |   |     |   |   |      |       |   |   |   |   |   |       |   |     |   |   |      |      |   |   |   |   |   |       |   |     |   |   |   |      |   |   |   |   |       |       |   |     |   |   |   |      |      |   |   |   |       |       |   |     |   |   |   |      |      |   |   |   |   |       |   |     |   |   |   |   |      |   |   |   |   |       |   |     |   |   |   |   |      |   |   |   |   |       |   |     |   |   |   |   |      |   |   |   |   |      |   |     |   |   |   |   |   |   |   |   |   |      |      |     |   |   |   |   |   |   |   |   |   |      |      |     |   |   |   |   |   |   |   |   |   |      |      |     |   |   |   |   |   |   |   |   |   |   |      |     |   |   |   |   |   |   |   |   |   |   |      |     |   |   |   |   |   |   |   |   |   |   |      |
| 42   | 134,0 | 358,0   | -     | -      | -    | -           | - | -    | -     | 417,0 | -           |      |  |  |  |  |  |  |  |  |  |  |      |     |  |  |  |  |  |  |  |  |  |  |             |  |     |     |     |     |     |     |  |  |  |  |  |   |   |   |   |   |   |   |   |   |   |   |   |    |   |        |   |   |   |   |   |   |   |   |   |    |   |        |   |   |   |   |   |   |   |   |   |    |   |        |   |   |   |   |   |   |   |   |   |    |       |       |   |   |   |   |   |   |   |       |   |    |       |       |   |   |   |   |   |   |   |       |   |    |       |       |   |   |   |   |   |   |   |       |   |    |       |       |   |   |   |   |   |   |   |       |   |    |       |       |   |   |   |   |   |   |   |       |   |    |       |       |   |   |   |   |   |   |   |       |   |    |       |       |   |   |   |   |   |   |   |       |   |    |      |       |       |   |   |   |   |   |   |       |   |    |      |       |       |   |   |   |   |   |   |       |   |    |      |       |       |   |   |   |   |   |   |       |   |    |      |       |       |   |   |   |   |   |   |       |   |    |      |       |       |   |   |   |   |   |   |       |   |    |      |       |       |   |   |   |   |   |   |       |   |    |   |      |       |       |   |   |   |   |   |       |   |    |   |      |       |       |   |   |   |   |   |       |   |     |   |      |       |       |   |   |   |   |   |       |   |     |   |      |       |       |   |   |   |   |   |       |   |     |   |      |       |       |   |   |   |   |   |       |   |     |   |      |       |       |   |   |   |   |   |       |   |     |   |      |      |       |   |       |   |   |   |       |   |     |   |   |      |       |   |       |   |   |   |       |   |     |   |   |      |       |   |       |   |   |   |       |   |     |   |   |      |       |   |   |   |   |   |       |   |     |   |   |      |      |   |   |   |   |   |       |   |     |   |   |   |      |   |   |   |   |       |       |   |     |   |   |   |      |      |   |   |   |       |       |   |     |   |   |   |      |      |   |   |   |   |       |   |     |   |   |   |   |      |   |   |   |   |       |   |     |   |   |   |   |      |   |   |   |   |       |   |     |   |   |   |   |      |   |   |   |   |      |   |     |   |   |   |   |   |   |   |   |   |      |      |     |   |   |   |   |   |   |   |   |   |      |      |     |   |   |   |   |   |   |   |   |   |      |      |     |   |   |   |   |   |   |   |   |   |   |      |     |   |   |   |   |   |   |   |   |   |   |      |     |   |   |   |   |   |   |   |   |   |   |      |
| 44   | 126,0 | 334,0   | -     | -      | -    | -           | - | -    | -     | 409,0 | -           |      |  |  |  |  |  |  |  |  |  |  |      |     |  |  |  |  |  |  |  |  |  |  |             |  |     |     |     |     |     |     |  |  |  |  |  |   |   |   |   |   |   |   |   |   |   |   |   |    |   |        |   |   |   |   |   |   |   |   |   |    |   |        |   |   |   |   |   |   |   |   |   |    |   |        |   |   |   |   |   |   |   |   |   |    |       |       |   |   |   |   |   |   |   |       |   |    |       |       |   |   |   |   |   |   |   |       |   |    |       |       |   |   |   |   |   |   |   |       |   |    |       |       |   |   |   |   |   |   |   |       |   |    |       |       |   |   |   |   |   |   |   |       |   |    |       |       |   |   |   |   |   |   |   |       |   |    |       |       |   |   |   |   |   |   |   |       |   |    |      |       |       |   |   |   |   |   |   |       |   |    |      |       |       |   |   |   |   |   |   |       |   |    |      |       |       |   |   |   |   |   |   |       |   |    |      |       |       |   |   |   |   |   |   |       |   |    |      |       |       |   |   |   |   |   |   |       |   |    |      |       |       |   |   |   |   |   |   |       |   |    |   |      |       |       |   |   |   |   |   |       |   |    |   |      |       |       |   |   |   |   |   |       |   |     |   |      |       |       |   |   |   |   |   |       |   |     |   |      |       |       |   |   |   |   |   |       |   |     |   |      |       |       |   |   |   |   |   |       |   |     |   |      |       |       |   |   |   |   |   |       |   |     |   |      |      |       |   |       |   |   |   |       |   |     |   |   |      |       |   |       |   |   |   |       |   |     |   |   |      |       |   |       |   |   |   |       |   |     |   |   |      |       |   |   |   |   |   |       |   |     |   |   |      |      |   |   |   |   |   |       |   |     |   |   |   |      |   |   |   |   |       |       |   |     |   |   |   |      |      |   |   |   |       |       |   |     |   |   |   |      |      |   |   |   |   |       |   |     |   |   |   |   |      |   |   |   |   |       |   |     |   |   |   |   |      |   |   |   |   |       |   |     |   |   |   |   |      |   |   |   |   |      |   |     |   |   |   |   |   |   |   |   |   |      |      |     |   |   |   |   |   |   |   |   |   |      |      |     |   |   |   |   |   |   |   |   |   |      |      |     |   |   |   |   |   |   |   |   |   |   |      |     |   |   |   |   |   |   |   |   |   |   |      |     |   |   |   |   |   |   |   |   |   |   |      |
| 45   | -     | -       | 430,0 | -      | -    | -           | - | -    | -     | 402,5 | -           |      |  |  |  |  |  |  |  |  |  |  |      |     |  |  |  |  |  |  |  |  |  |  |             |  |     |     |     |     |     |     |  |  |  |  |  |   |   |   |   |   |   |   |   |   |   |   |   |    |   |        |   |   |   |   |   |   |   |   |   |    |   |        |   |   |   |   |   |   |   |   |   |    |   |        |   |   |   |   |   |   |   |   |   |    |       |       |   |   |   |   |   |   |   |       |   |    |       |       |   |   |   |   |   |   |   |       |   |    |       |       |   |   |   |   |   |   |   |       |   |    |       |       |   |   |   |   |   |   |   |       |   |    |       |       |   |   |   |   |   |   |   |       |   |    |       |       |   |   |   |   |   |   |   |       |   |    |       |       |   |   |   |   |   |   |   |       |   |    |      |       |       |   |   |   |   |   |   |       |   |    |      |       |       |   |   |   |   |   |   |       |   |    |      |       |       |   |   |   |   |   |   |       |   |    |      |       |       |   |   |   |   |   |   |       |   |    |      |       |       |   |   |   |   |   |   |       |   |    |      |       |       |   |   |   |   |   |   |       |   |    |   |      |       |       |   |   |   |   |   |       |   |    |   |      |       |       |   |   |   |   |   |       |   |     |   |      |       |       |   |   |   |   |   |       |   |     |   |      |       |       |   |   |   |   |   |       |   |     |   |      |       |       |   |   |   |   |   |       |   |     |   |      |       |       |   |   |   |   |   |       |   |     |   |      |      |       |   |       |   |   |   |       |   |     |   |   |      |       |   |       |   |   |   |       |   |     |   |   |      |       |   |       |   |   |   |       |   |     |   |   |      |       |   |   |   |   |   |       |   |     |   |   |      |      |   |   |   |   |   |       |   |     |   |   |   |      |   |   |   |   |       |       |   |     |   |   |   |      |      |   |   |   |       |       |   |     |   |   |   |      |      |   |   |   |   |       |   |     |   |   |   |   |      |   |   |   |   |       |   |     |   |   |   |   |      |   |   |   |   |       |   |     |   |   |   |   |      |   |   |   |   |      |   |     |   |   |   |   |   |   |   |   |   |      |      |     |   |   |   |   |   |   |   |   |   |      |      |     |   |   |   |   |   |   |   |   |   |      |      |     |   |   |   |   |   |   |   |   |   |   |      |     |   |   |   |   |   |   |   |   |   |   |      |     |   |   |   |   |   |   |   |   |   |   |      |
| 46   | -     | -       | 430,0 | -      | -    | -           | - | -    | -     | 397,0 | -           |      |  |  |  |  |  |  |  |  |  |  |      |     |  |  |  |  |  |  |  |  |  |  |             |  |     |     |     |     |     |     |  |  |  |  |  |   |   |   |   |   |   |   |   |   |   |   |   |    |   |        |   |   |   |   |   |   |   |   |   |    |   |        |   |   |   |   |   |   |   |   |   |    |   |        |   |   |   |   |   |   |   |   |   |    |       |       |   |   |   |   |   |   |   |       |   |    |       |       |   |   |   |   |   |   |   |       |   |    |       |       |   |   |   |   |   |   |   |       |   |    |       |       |   |   |   |   |   |   |   |       |   |    |       |       |   |   |   |   |   |   |   |       |   |    |       |       |   |   |   |   |   |   |   |       |   |    |       |       |   |   |   |   |   |   |   |       |   |    |      |       |       |   |   |   |   |   |   |       |   |    |      |       |       |   |   |   |   |   |   |       |   |    |      |       |       |   |   |   |   |   |   |       |   |    |      |       |       |   |   |   |   |   |   |       |   |    |      |       |       |   |   |   |   |   |   |       |   |    |      |       |       |   |   |   |   |   |   |       |   |    |   |      |       |       |   |   |   |   |   |       |   |    |   |      |       |       |   |   |   |   |   |       |   |     |   |      |       |       |   |   |   |   |   |       |   |     |   |      |       |       |   |   |   |   |   |       |   |     |   |      |       |       |   |   |   |   |   |       |   |     |   |      |       |       |   |   |   |   |   |       |   |     |   |      |      |       |   |       |   |   |   |       |   |     |   |   |      |       |   |       |   |   |   |       |   |     |   |   |      |       |   |       |   |   |   |       |   |     |   |   |      |       |   |   |   |   |   |       |   |     |   |   |      |      |   |   |   |   |   |       |   |     |   |   |   |      |   |   |   |   |       |       |   |     |   |   |   |      |      |   |   |   |       |       |   |     |   |   |   |      |      |   |   |   |   |       |   |     |   |   |   |   |      |   |   |   |   |       |   |     |   |   |   |   |      |   |   |   |   |       |   |     |   |   |   |   |      |   |   |   |   |      |   |     |   |   |   |   |   |   |   |   |   |      |      |     |   |   |   |   |   |   |   |   |   |      |      |     |   |   |   |   |   |   |   |   |   |      |      |     |   |   |   |   |   |   |   |   |   |   |      |     |   |   |   |   |   |   |   |   |   |   |      |     |   |   |   |   |   |   |   |   |   |   |      |
| 50   | -     | -       | 417,0 | -      | -    | -           | - | -    | -     | 380,0 | -           |      |  |  |  |  |  |  |  |  |  |  |      |     |  |  |  |  |  |  |  |  |  |  |             |  |     |     |     |     |     |     |  |  |  |  |  |   |   |   |   |   |   |   |   |   |   |   |   |    |   |        |   |   |   |   |   |   |   |   |   |    |   |        |   |   |   |   |   |   |   |   |   |    |   |        |   |   |   |   |   |   |   |   |   |    |       |       |   |   |   |   |   |   |   |       |   |    |       |       |   |   |   |   |   |   |   |       |   |    |       |       |   |   |   |   |   |   |   |       |   |    |       |       |   |   |   |   |   |   |   |       |   |    |       |       |   |   |   |   |   |   |   |       |   |    |       |       |   |   |   |   |   |   |   |       |   |    |       |       |   |   |   |   |   |   |   |       |   |    |      |       |       |   |   |   |   |   |   |       |   |    |      |       |       |   |   |   |   |   |   |       |   |    |      |       |       |   |   |   |   |   |   |       |   |    |      |       |       |   |   |   |   |   |   |       |   |    |      |       |       |   |   |   |   |   |   |       |   |    |      |       |       |   |   |   |   |   |   |       |   |    |   |      |       |       |   |   |   |   |   |       |   |    |   |      |       |       |   |   |   |   |   |       |   |     |   |      |       |       |   |   |   |   |   |       |   |     |   |      |       |       |   |   |   |   |   |       |   |     |   |      |       |       |   |   |   |   |   |       |   |     |   |      |       |       |   |   |   |   |   |       |   |     |   |      |      |       |   |       |   |   |   |       |   |     |   |   |      |       |   |       |   |   |   |       |   |     |   |   |      |       |   |       |   |   |   |       |   |     |   |   |      |       |   |   |   |   |   |       |   |     |   |   |      |      |   |   |   |   |   |       |   |     |   |   |   |      |   |   |   |   |       |       |   |     |   |   |   |      |      |   |   |   |       |       |   |     |   |   |   |      |      |   |   |   |   |       |   |     |   |   |   |   |      |   |   |   |   |       |   |     |   |   |   |   |      |   |   |   |   |       |   |     |   |   |   |   |      |   |   |   |   |      |   |     |   |   |   |   |   |   |   |   |   |      |      |     |   |   |   |   |   |   |   |   |   |      |      |     |   |   |   |   |   |   |   |   |   |      |      |     |   |   |   |   |   |   |   |   |   |   |      |     |   |   |   |   |   |   |   |   |   |   |      |     |   |   |   |   |   |   |   |   |   |   |      |
| 54   | -     | -       | 385,0 | -      | -    | -           | - | -    | -     | 365,0 | -           |      |  |  |  |  |  |  |  |  |  |  |      |     |  |  |  |  |  |  |  |  |  |  |             |  |     |     |     |     |     |     |  |  |  |  |  |   |   |   |   |   |   |   |   |   |   |   |   |    |   |        |   |   |   |   |   |   |   |   |   |    |   |        |   |   |   |   |   |   |   |   |   |    |   |        |   |   |   |   |   |   |   |   |   |    |       |       |   |   |   |   |   |   |   |       |   |    |       |       |   |   |   |   |   |   |   |       |   |    |       |       |   |   |   |   |   |   |   |       |   |    |       |       |   |   |   |   |   |   |   |       |   |    |       |       |   |   |   |   |   |   |   |       |   |    |       |       |   |   |   |   |   |   |   |       |   |    |       |       |   |   |   |   |   |   |   |       |   |    |      |       |       |   |   |   |   |   |   |       |   |    |      |       |       |   |   |   |   |   |   |       |   |    |      |       |       |   |   |   |   |   |   |       |   |    |      |       |       |   |   |   |   |   |   |       |   |    |      |       |       |   |   |   |   |   |   |       |   |    |      |       |       |   |   |   |   |   |   |       |   |    |   |      |       |       |   |   |   |   |   |       |   |    |   |      |       |       |   |   |   |   |   |       |   |     |   |      |       |       |   |   |   |   |   |       |   |     |   |      |       |       |   |   |   |   |   |       |   |     |   |      |       |       |   |   |   |   |   |       |   |     |   |      |       |       |   |   |   |   |   |       |   |     |   |      |      |       |   |       |   |   |   |       |   |     |   |   |      |       |   |       |   |   |   |       |   |     |   |   |      |       |   |       |   |   |   |       |   |     |   |   |      |       |   |   |   |   |   |       |   |     |   |   |      |      |   |   |   |   |   |       |   |     |   |   |   |      |   |   |   |   |       |       |   |     |   |   |   |      |      |   |   |   |       |       |   |     |   |   |   |      |      |   |   |   |   |       |   |     |   |   |   |   |      |   |   |   |   |       |   |     |   |   |   |   |      |   |   |   |   |       |   |     |   |   |   |   |      |   |   |   |   |      |   |     |   |   |   |   |   |   |   |   |   |      |      |     |   |   |   |   |   |   |   |   |   |      |      |     |   |   |   |   |   |   |   |   |   |      |      |     |   |   |   |   |   |   |   |   |   |   |      |     |   |   |   |   |   |   |   |   |   |   |      |     |   |   |   |   |   |   |   |   |   |   |      |
| 58   | -     | -       | 340,0 | -      | -    | -           | - | -    | -     | 332,0 | -           |      |  |  |  |  |  |  |  |  |  |  |      |     |  |  |  |  |  |  |  |  |  |  |             |  |     |     |     |     |     |     |  |  |  |  |  |   |   |   |   |   |   |   |   |   |   |   |   |    |   |        |   |   |   |   |   |   |   |   |   |    |   |        |   |   |   |   |   |   |   |   |   |    |   |        |   |   |   |   |   |   |   |   |   |    |       |       |   |   |   |   |   |   |   |       |   |    |       |       |   |   |   |   |   |   |   |       |   |    |       |       |   |   |   |   |   |   |   |       |   |    |       |       |   |   |   |   |   |   |   |       |   |    |       |       |   |   |   |   |   |   |   |       |   |    |       |       |   |   |   |   |   |   |   |       |   |    |       |       |   |   |   |   |   |   |   |       |   |    |      |       |       |   |   |   |   |   |   |       |   |    |      |       |       |   |   |   |   |   |   |       |   |    |      |       |       |   |   |   |   |   |   |       |   |    |      |       |       |   |   |   |   |   |   |       |   |    |      |       |       |   |   |   |   |   |   |       |   |    |      |       |       |   |   |   |   |   |   |       |   |    |   |      |       |       |   |   |   |   |   |       |   |    |   |      |       |       |   |   |   |   |   |       |   |     |   |      |       |       |   |   |   |   |   |       |   |     |   |      |       |       |   |   |   |   |   |       |   |     |   |      |       |       |   |   |   |   |   |       |   |     |   |      |       |       |   |   |   |   |   |       |   |     |   |      |      |       |   |       |   |   |   |       |   |     |   |   |      |       |   |       |   |   |   |       |   |     |   |   |      |       |   |       |   |   |   |       |   |     |   |   |      |       |   |   |   |   |   |       |   |     |   |   |      |      |   |   |   |   |   |       |   |     |   |   |   |      |   |   |   |   |       |       |   |     |   |   |   |      |      |   |   |   |       |       |   |     |   |   |   |      |      |   |   |   |   |       |   |     |   |   |   |   |      |   |   |   |   |       |   |     |   |   |   |   |      |   |   |   |   |       |   |     |   |   |   |   |      |   |   |   |   |      |   |     |   |   |   |   |   |   |   |   |   |      |      |     |   |   |   |   |   |   |   |   |   |      |      |     |   |   |   |   |   |   |   |   |   |      |      |     |   |   |   |   |   |   |   |   |   |   |      |     |   |   |   |   |   |   |   |   |   |   |      |     |   |   |   |   |   |   |   |   |   |   |      |
| 62   | -     | -       | -     | -      | -    | -           | - | -    | -     | 302,0 | -           |      |  |  |  |  |  |  |  |  |  |  |      |     |  |  |  |  |  |  |  |  |  |  |             |  |     |     |     |     |     |     |  |  |  |  |  |   |   |   |   |   |   |   |   |   |   |   |   |    |   |        |   |   |   |   |   |   |   |   |   |    |   |        |   |   |   |   |   |   |   |   |   |    |   |        |   |   |   |   |   |   |   |   |   |    |       |       |   |   |   |   |   |   |   |       |   |    |       |       |   |   |   |   |   |   |   |       |   |    |       |       |   |   |   |   |   |   |   |       |   |    |       |       |   |   |   |   |   |   |   |       |   |    |       |       |   |   |   |   |   |   |   |       |   |    |       |       |   |   |   |   |   |   |   |       |   |    |       |       |   |   |   |   |   |   |   |       |   |    |      |       |       |   |   |   |   |   |   |       |   |    |      |       |       |   |   |   |   |   |   |       |   |    |      |       |       |   |   |   |   |   |   |       |   |    |      |       |       |   |   |   |   |   |   |       |   |    |      |       |       |   |   |   |   |   |   |       |   |    |      |       |       |   |   |   |   |   |   |       |   |    |   |      |       |       |   |   |   |   |   |       |   |    |   |      |       |       |   |   |   |   |   |       |   |     |   |      |       |       |   |   |   |   |   |       |   |     |   |      |       |       |   |   |   |   |   |       |   |     |   |      |       |       |   |   |   |   |   |       |   |     |   |      |       |       |   |   |   |   |   |       |   |     |   |      |      |       |   |       |   |   |   |       |   |     |   |   |      |       |   |       |   |   |   |       |   |     |   |   |      |       |   |       |   |   |   |       |   |     |   |   |      |       |   |   |   |   |   |       |   |     |   |   |      |      |   |   |   |   |   |       |   |     |   |   |   |      |   |   |   |   |       |       |   |     |   |   |   |      |      |   |   |   |       |       |   |     |   |   |   |      |      |   |   |   |   |       |   |     |   |   |   |   |      |   |   |   |   |       |   |     |   |   |   |   |      |   |   |   |   |       |   |     |   |   |   |   |      |   |   |   |   |      |   |     |   |   |   |   |   |   |   |   |   |      |      |     |   |   |   |   |   |   |   |   |   |      |      |     |   |   |   |   |   |   |   |   |   |      |      |     |   |   |   |   |   |   |   |   |   |   |      |     |   |   |   |   |   |   |   |   |   |   |      |     |   |   |   |   |   |   |   |   |   |   |      |
| 64   | -     | -       | -     | 291,0  | -    | -           | - | -    | -     | 288,5 | -           |      |  |  |  |  |  |  |  |  |  |  |      |     |  |  |  |  |  |  |  |  |  |  |             |  |     |     |     |     |     |     |  |  |  |  |  |   |   |   |   |   |   |   |   |   |   |   |   |    |   |        |   |   |   |   |   |   |   |   |   |    |   |        |   |   |   |   |   |   |   |   |   |    |   |        |   |   |   |   |   |   |   |   |   |    |       |       |   |   |   |   |   |   |   |       |   |    |       |       |   |   |   |   |   |   |   |       |   |    |       |       |   |   |   |   |   |   |   |       |   |    |       |       |   |   |   |   |   |   |   |       |   |    |       |       |   |   |   |   |   |   |   |       |   |    |       |       |   |   |   |   |   |   |   |       |   |    |       |       |   |   |   |   |   |   |   |       |   |    |      |       |       |   |   |   |   |   |   |       |   |    |      |       |       |   |   |   |   |   |   |       |   |    |      |       |       |   |   |   |   |   |   |       |   |    |      |       |       |   |   |   |   |   |   |       |   |    |      |       |       |   |   |   |   |   |   |       |   |    |      |       |       |   |   |   |   |   |   |       |   |    |   |      |       |       |   |   |   |   |   |       |   |    |   |      |       |       |   |   |   |   |   |       |   |     |   |      |       |       |   |   |   |   |   |       |   |     |   |      |       |       |   |   |   |   |   |       |   |     |   |      |       |       |   |   |   |   |   |       |   |     |   |      |       |       |   |   |   |   |   |       |   |     |   |      |      |       |   |       |   |   |   |       |   |     |   |   |      |       |   |       |   |   |   |       |   |     |   |   |      |       |   |       |   |   |   |       |   |     |   |   |      |       |   |   |   |   |   |       |   |     |   |   |      |      |   |   |   |   |   |       |   |     |   |   |   |      |   |   |   |   |       |       |   |     |   |   |   |      |      |   |   |   |       |       |   |     |   |   |   |      |      |   |   |   |   |       |   |     |   |   |   |   |      |   |   |   |   |       |   |     |   |   |   |   |      |   |   |   |   |       |   |     |   |   |   |   |      |   |   |   |   |      |   |     |   |   |   |   |   |   |   |   |   |      |      |     |   |   |   |   |   |   |   |   |   |      |      |     |   |   |   |   |   |   |   |   |   |      |      |     |   |   |   |   |   |   |   |   |   |   |      |     |   |   |   |   |   |   |   |   |   |   |      |     |   |   |   |   |   |   |   |   |   |   |      |
| 66   | -     | -       | -     | 281,0  | -    | -           | - | -    | -     | 275,0 | -           |      |  |  |  |  |  |  |  |  |  |  |      |     |  |  |  |  |  |  |  |  |  |  |             |  |     |     |     |     |     |     |  |  |  |  |  |   |   |   |   |   |   |   |   |   |   |   |   |    |   |        |   |   |   |   |   |   |   |   |   |    |   |        |   |   |   |   |   |   |   |   |   |    |   |        |   |   |   |   |   |   |   |   |   |    |       |       |   |   |   |   |   |   |   |       |   |    |       |       |   |   |   |   |   |   |   |       |   |    |       |       |   |   |   |   |   |   |   |       |   |    |       |       |   |   |   |   |   |   |   |       |   |    |       |       |   |   |   |   |   |   |   |       |   |    |       |       |   |   |   |   |   |   |   |       |   |    |       |       |   |   |   |   |   |   |   |       |   |    |      |       |       |   |   |   |   |   |   |       |   |    |      |       |       |   |   |   |   |   |   |       |   |    |      |       |       |   |   |   |   |   |   |       |   |    |      |       |       |   |   |   |   |   |   |       |   |    |      |       |       |   |   |   |   |   |   |       |   |    |      |       |       |   |   |   |   |   |   |       |   |    |   |      |       |       |   |   |   |   |   |       |   |    |   |      |       |       |   |   |   |   |   |       |   |     |   |      |       |       |   |   |   |   |   |       |   |     |   |      |       |       |   |   |   |   |   |       |   |     |   |      |       |       |   |   |   |   |   |       |   |     |   |      |       |       |   |   |   |   |   |       |   |     |   |      |      |       |   |       |   |   |   |       |   |     |   |   |      |       |   |       |   |   |   |       |   |     |   |   |      |       |   |       |   |   |   |       |   |     |   |   |      |       |   |   |   |   |   |       |   |     |   |   |      |      |   |   |   |   |   |       |   |     |   |   |   |      |   |   |   |   |       |       |   |     |   |   |   |      |      |   |   |   |       |       |   |     |   |   |   |      |      |   |   |   |   |       |   |     |   |   |   |   |      |   |   |   |   |       |   |     |   |   |   |   |      |   |   |   |   |       |   |     |   |   |   |   |      |   |   |   |   |      |   |     |   |   |   |   |   |   |   |   |   |      |      |     |   |   |   |   |   |   |   |   |   |      |      |     |   |   |   |   |   |   |   |   |   |      |      |     |   |   |   |   |   |   |   |   |   |   |      |     |   |   |   |   |   |   |   |   |   |   |      |     |   |   |   |   |   |   |   |   |   |   |      |
| 70   | -     | -       | -     | 262,0  | -    | -           | - | -    | -     | 252,0 | -           |      |  |  |  |  |  |  |  |  |  |  |      |     |  |  |  |  |  |  |  |  |  |  |             |  |     |     |     |     |     |     |  |  |  |  |  |   |   |   |   |   |   |   |   |   |   |   |   |    |   |        |   |   |   |   |   |   |   |   |   |    |   |        |   |   |   |   |   |   |   |   |   |    |   |        |   |   |   |   |   |   |   |   |   |    |       |       |   |   |   |   |   |   |   |       |   |    |       |       |   |   |   |   |   |   |   |       |   |    |       |       |   |   |   |   |   |   |   |       |   |    |       |       |   |   |   |   |   |   |   |       |   |    |       |       |   |   |   |   |   |   |   |       |   |    |       |       |   |   |   |   |   |   |   |       |   |    |       |       |   |   |   |   |   |   |   |       |   |    |      |       |       |   |   |   |   |   |   |       |   |    |      |       |       |   |   |   |   |   |   |       |   |    |      |       |       |   |   |   |   |   |   |       |   |    |      |       |       |   |   |   |   |   |   |       |   |    |      |       |       |   |   |   |   |   |   |       |   |    |      |       |       |   |   |   |   |   |   |       |   |    |   |      |       |       |   |   |   |   |   |       |   |    |   |      |       |       |   |   |   |   |   |       |   |     |   |      |       |       |   |   |   |   |   |       |   |     |   |      |       |       |   |   |   |   |   |       |   |     |   |      |       |       |   |   |   |   |   |       |   |     |   |      |       |       |   |   |   |   |   |       |   |     |   |      |      |       |   |       |   |   |   |       |   |     |   |   |      |       |   |       |   |   |   |       |   |     |   |   |      |       |   |       |   |   |   |       |   |     |   |   |      |       |   |   |   |   |   |       |   |     |   |   |      |      |   |   |   |   |   |       |   |     |   |   |   |      |   |   |   |   |       |       |   |     |   |   |   |      |      |   |   |   |       |       |   |     |   |   |   |      |      |   |   |   |   |       |   |     |   |   |   |   |      |   |   |   |   |       |   |     |   |   |   |   |      |   |   |   |   |       |   |     |   |   |   |   |      |   |   |   |   |      |   |     |   |   |   |   |   |   |   |   |   |      |      |     |   |   |   |   |   |   |   |   |   |      |      |     |   |   |   |   |   |   |   |   |   |      |      |     |   |   |   |   |   |   |   |   |   |   |      |     |   |   |   |   |   |   |   |   |   |   |      |     |   |   |   |   |   |   |   |   |   |   |      |
| 73   | -     | -       | -     | 250,0  | -    | -           | - | -    | -     | 236,2 | -           |      |  |  |  |  |  |  |  |  |  |  |      |     |  |  |  |  |  |  |  |  |  |  |             |  |     |     |     |     |     |     |  |  |  |  |  |   |   |   |   |   |   |   |   |   |   |   |   |    |   |        |   |   |   |   |   |   |   |   |   |    |   |        |   |   |   |   |   |   |   |   |   |    |   |        |   |   |   |   |   |   |   |   |   |    |       |       |   |   |   |   |   |   |   |       |   |    |       |       |   |   |   |   |   |   |   |       |   |    |       |       |   |   |   |   |   |   |   |       |   |    |       |       |   |   |   |   |   |   |   |       |   |    |       |       |   |   |   |   |   |   |   |       |   |    |       |       |   |   |   |   |   |   |   |       |   |    |       |       |   |   |   |   |   |   |   |       |   |    |      |       |       |   |   |   |   |   |   |       |   |    |      |       |       |   |   |   |   |   |   |       |   |    |      |       |       |   |   |   |   |   |   |       |   |    |      |       |       |   |   |   |   |   |   |       |   |    |      |       |       |   |   |   |   |   |   |       |   |    |      |       |       |   |   |   |   |   |   |       |   |    |   |      |       |       |   |   |   |   |   |       |   |    |   |      |       |       |   |   |   |   |   |       |   |     |   |      |       |       |   |   |   |   |   |       |   |     |   |      |       |       |   |   |   |   |   |       |   |     |   |      |       |       |   |   |   |   |   |       |   |     |   |      |       |       |   |   |   |   |   |       |   |     |   |      |      |       |   |       |   |   |   |       |   |     |   |   |      |       |   |       |   |   |   |       |   |     |   |   |      |       |   |       |   |   |   |       |   |     |   |   |      |       |   |   |   |   |   |       |   |     |   |   |      |      |   |   |   |   |   |       |   |     |   |   |   |      |   |   |   |   |       |       |   |     |   |   |   |      |      |   |   |   |       |       |   |     |   |   |   |      |      |   |   |   |   |       |   |     |   |   |   |   |      |   |   |   |   |       |   |     |   |   |   |   |      |   |   |   |   |       |   |     |   |   |   |   |      |   |   |   |   |      |   |     |   |   |   |   |   |   |   |   |   |      |      |     |   |   |   |   |   |   |   |   |   |      |      |     |   |   |   |   |   |   |   |   |   |      |      |     |   |   |   |   |   |   |   |   |   |   |      |     |   |   |   |   |   |   |   |   |   |   |      |     |   |   |   |   |   |   |   |   |   |   |      |
| 74   | -     | -       | -     | -      | -    | -           | - | -    | -     | 231,0 | -           |      |  |  |  |  |  |  |  |  |  |  |      |     |  |  |  |  |  |  |  |  |  |  |             |  |     |     |     |     |     |     |  |  |  |  |  |   |   |   |   |   |   |   |   |   |   |   |   |    |   |        |   |   |   |   |   |   |   |   |   |    |   |        |   |   |   |   |   |   |   |   |   |    |   |        |   |   |   |   |   |   |   |   |   |    |       |       |   |   |   |   |   |   |   |       |   |    |       |       |   |   |   |   |   |   |   |       |   |    |       |       |   |   |   |   |   |   |   |       |   |    |       |       |   |   |   |   |   |   |   |       |   |    |       |       |   |   |   |   |   |   |   |       |   |    |       |       |   |   |   |   |   |   |   |       |   |    |       |       |   |   |   |   |   |   |   |       |   |    |      |       |       |   |   |   |   |   |   |       |   |    |      |       |       |   |   |   |   |   |   |       |   |    |      |       |       |   |   |   |   |   |   |       |   |    |      |       |       |   |   |   |   |   |   |       |   |    |      |       |       |   |   |   |   |   |   |       |   |    |      |       |       |   |   |   |   |   |   |       |   |    |   |      |       |       |   |   |   |   |   |       |   |    |   |      |       |       |   |   |   |   |   |       |   |     |   |      |       |       |   |   |   |   |   |       |   |     |   |      |       |       |   |   |   |   |   |       |   |     |   |      |       |       |   |   |   |   |   |       |   |     |   |      |       |       |   |   |   |   |   |       |   |     |   |      |      |       |   |       |   |   |   |       |   |     |   |   |      |       |   |       |   |   |   |       |   |     |   |   |      |       |   |       |   |   |   |       |   |     |   |   |      |       |   |   |   |   |   |       |   |     |   |   |      |      |   |   |   |   |   |       |   |     |   |   |   |      |   |   |   |   |       |       |   |     |   |   |   |      |      |   |   |   |       |       |   |     |   |   |   |      |      |   |   |   |   |       |   |     |   |   |   |   |      |   |   |   |   |       |   |     |   |   |   |   |      |   |   |   |   |       |   |     |   |   |   |   |      |   |   |   |   |      |   |     |   |   |   |   |   |   |   |   |   |      |      |     |   |   |   |   |   |   |   |   |   |      |      |     |   |   |   |   |   |   |   |   |   |      |      |     |   |   |   |   |   |   |   |   |   |   |      |     |   |   |   |   |   |   |   |   |   |   |      |     |   |   |   |   |   |   |   |   |   |   |      |
| 78   | -     | -       | -     | -      | -    | -           | - | -    | -     | 213,0 | -           |      |  |  |  |  |  |  |  |  |  |  |      |     |  |  |  |  |  |  |  |  |  |  |             |  |     |     |     |     |     |     |  |  |  |  |  |   |   |   |   |   |   |   |   |   |   |   |   |    |   |        |   |   |   |   |   |   |   |   |   |    |   |        |   |   |   |   |   |   |   |   |   |    |   |        |   |   |   |   |   |   |   |   |   |    |       |       |   |   |   |   |   |   |   |       |   |    |       |       |   |   |   |   |   |   |   |       |   |    |       |       |   |   |   |   |   |   |   |       |   |    |       |       |   |   |   |   |   |   |   |       |   |    |       |       |   |   |   |   |   |   |   |       |   |    |       |       |   |   |   |   |   |   |   |       |   |    |       |       |   |   |   |   |   |   |   |       |   |    |      |       |       |   |   |   |   |   |   |       |   |    |      |       |       |   |   |   |   |   |   |       |   |    |      |       |       |   |   |   |   |   |   |       |   |    |      |       |       |   |   |   |   |   |   |       |   |    |      |       |       |   |   |   |   |   |   |       |   |    |      |       |       |   |   |   |   |   |   |       |   |    |   |      |       |       |   |   |   |   |   |       |   |    |   |      |       |       |   |   |   |   |   |       |   |     |   |      |       |       |   |   |   |   |   |       |   |     |   |      |       |       |   |   |   |   |   |       |   |     |   |      |       |       |   |   |   |   |   |       |   |     |   |      |       |       |   |   |   |   |   |       |   |     |   |      |      |       |   |       |   |   |   |       |   |     |   |   |      |       |   |       |   |   |   |       |   |     |   |   |      |       |   |       |   |   |   |       |   |     |   |   |      |       |   |   |   |   |   |       |   |     |   |   |      |      |   |   |   |   |   |       |   |     |   |   |   |      |   |   |   |   |       |       |   |     |   |   |   |      |      |   |   |   |       |       |   |     |   |   |   |      |      |   |   |   |   |       |   |     |   |   |   |   |      |   |   |   |   |       |   |     |   |   |   |   |      |   |   |   |   |       |   |     |   |   |   |   |      |   |   |   |   |      |   |     |   |   |   |   |   |   |   |   |   |      |      |     |   |   |   |   |   |   |   |   |   |      |      |     |   |   |   |   |   |   |   |   |   |      |      |     |   |   |   |   |   |   |   |   |   |   |      |     |   |   |   |   |   |   |   |   |   |   |      |     |   |   |   |   |   |   |   |   |   |   |      |
| 81   | -     | -       | -     | -      | -    | 202,0       | - | -    | -     | 200,2 | -           |      |  |  |  |  |  |  |  |  |  |  |      |     |  |  |  |  |  |  |  |  |  |  |             |  |     |     |     |     |     |     |  |  |  |  |  |   |   |   |   |   |   |   |   |   |   |   |   |    |   |        |   |   |   |   |   |   |   |   |   |    |   |        |   |   |   |   |   |   |   |   |   |    |   |        |   |   |   |   |   |   |   |   |   |    |       |       |   |   |   |   |   |   |   |       |   |    |       |       |   |   |   |   |   |   |   |       |   |    |       |       |   |   |   |   |   |   |   |       |   |    |       |       |   |   |   |   |   |   |   |       |   |    |       |       |   |   |   |   |   |   |   |       |   |    |       |       |   |   |   |   |   |   |   |       |   |    |       |       |   |   |   |   |   |   |   |       |   |    |      |       |       |   |   |   |   |   |   |       |   |    |      |       |       |   |   |   |   |   |   |       |   |    |      |       |       |   |   |   |   |   |   |       |   |    |      |       |       |   |   |   |   |   |   |       |   |    |      |       |       |   |   |   |   |   |   |       |   |    |      |       |       |   |   |   |   |   |   |       |   |    |   |      |       |       |   |   |   |   |   |       |   |    |   |      |       |       |   |   |   |   |   |       |   |     |   |      |       |       |   |   |   |   |   |       |   |     |   |      |       |       |   |   |   |   |   |       |   |     |   |      |       |       |   |   |   |   |   |       |   |     |   |      |       |       |   |   |   |   |   |       |   |     |   |      |      |       |   |       |   |   |   |       |   |     |   |   |      |       |   |       |   |   |   |       |   |     |   |   |      |       |   |       |   |   |   |       |   |     |   |   |      |       |   |   |   |   |   |       |   |     |   |   |      |      |   |   |   |   |   |       |   |     |   |   |   |      |   |   |   |   |       |       |   |     |   |   |   |      |      |   |   |   |       |       |   |     |   |   |   |      |      |   |   |   |   |       |   |     |   |   |   |   |      |   |   |   |   |       |   |     |   |   |   |   |      |   |   |   |   |       |   |     |   |   |   |   |      |   |   |   |   |      |   |     |   |   |   |   |   |   |   |   |   |      |      |     |   |   |   |   |   |   |   |   |   |      |      |     |   |   |   |   |   |   |   |   |   |      |      |     |   |   |   |   |   |   |   |   |   |   |      |     |   |   |   |   |   |   |   |   |   |   |      |     |   |   |   |   |   |   |   |   |   |   |      |
| 82   | -     | -       | -     | -      | -    | 199,0       | - | -    | -     | 196,0 | -           |      |  |  |  |  |  |  |  |  |  |  |      |     |  |  |  |  |  |  |  |  |  |  |             |  |     |     |     |     |     |     |  |  |  |  |  |   |   |   |   |   |   |   |   |   |   |   |   |    |   |        |   |   |   |   |   |   |   |   |   |    |   |        |   |   |   |   |   |   |   |   |   |    |   |        |   |   |   |   |   |   |   |   |   |    |       |       |   |   |   |   |   |   |   |       |   |    |       |       |   |   |   |   |   |   |   |       |   |    |       |       |   |   |   |   |   |   |   |       |   |    |       |       |   |   |   |   |   |   |   |       |   |    |       |       |   |   |   |   |   |   |   |       |   |    |       |       |   |   |   |   |   |   |   |       |   |    |       |       |   |   |   |   |   |   |   |       |   |    |      |       |       |   |   |   |   |   |   |       |   |    |      |       |       |   |   |   |   |   |   |       |   |    |      |       |       |   |   |   |   |   |   |       |   |    |      |       |       |   |   |   |   |   |   |       |   |    |      |       |       |   |   |   |   |   |   |       |   |    |      |       |       |   |   |   |   |   |   |       |   |    |   |      |       |       |   |   |   |   |   |       |   |    |   |      |       |       |   |   |   |   |   |       |   |     |   |      |       |       |   |   |   |   |   |       |   |     |   |      |       |       |   |   |   |   |   |       |   |     |   |      |       |       |   |   |   |   |   |       |   |     |   |      |       |       |   |   |   |   |   |       |   |     |   |      |      |       |   |       |   |   |   |       |   |     |   |   |      |       |   |       |   |   |   |       |   |     |   |   |      |       |   |       |   |   |   |       |   |     |   |   |      |       |   |   |   |   |   |       |   |     |   |   |      |      |   |   |   |   |   |       |   |     |   |   |   |      |   |   |   |   |       |       |   |     |   |   |   |      |      |   |   |   |       |       |   |     |   |   |   |      |      |   |   |   |   |       |   |     |   |   |   |   |      |   |   |   |   |       |   |     |   |   |   |   |      |   |   |   |   |       |   |     |   |   |   |   |      |   |   |   |   |      |   |     |   |   |   |   |   |   |   |   |   |      |      |     |   |   |   |   |   |   |   |   |   |      |      |     |   |   |   |   |   |   |   |   |   |      |      |     |   |   |   |   |   |   |   |   |   |   |      |     |   |   |   |   |   |   |   |   |   |   |      |     |   |   |   |   |   |   |   |   |   |   |      |
| 86   | -     | -       | -     | -      | -    | 188,0       | - | -    | -     | 181,0 | -           |      |  |  |  |  |  |  |  |  |  |  |      |     |  |  |  |  |  |  |  |  |  |  |             |  |     |     |     |     |     |     |  |  |  |  |  |   |   |   |   |   |   |   |   |   |   |   |   |    |   |        |   |   |   |   |   |   |   |   |   |    |   |        |   |   |   |   |   |   |   |   |   |    |   |        |   |   |   |   |   |   |   |   |   |    |       |       |   |   |   |   |   |   |   |       |   |    |       |       |   |   |   |   |   |   |   |       |   |    |       |       |   |   |   |   |   |   |   |       |   |    |       |       |   |   |   |   |   |   |   |       |   |    |       |       |   |   |   |   |   |   |   |       |   |    |       |       |   |   |   |   |   |   |   |       |   |    |       |       |   |   |   |   |   |   |   |       |   |    |      |       |       |   |   |   |   |   |   |       |   |    |      |       |       |   |   |   |   |   |   |       |   |    |      |       |       |   |   |   |   |   |   |       |   |    |      |       |       |   |   |   |   |   |   |       |   |    |      |       |       |   |   |   |   |   |   |       |   |    |      |       |       |   |   |   |   |   |   |       |   |    |   |      |       |       |   |   |   |   |   |       |   |    |   |      |       |       |   |   |   |   |   |       |   |     |   |      |       |       |   |   |   |   |   |       |   |     |   |      |       |       |   |   |   |   |   |       |   |     |   |      |       |       |   |   |   |   |   |       |   |     |   |      |       |       |   |   |   |   |   |       |   |     |   |      |      |       |   |       |   |   |   |       |   |     |   |   |      |       |   |       |   |   |   |       |   |     |   |   |      |       |   |       |   |   |   |       |   |     |   |   |      |       |   |   |   |   |   |       |   |     |   |   |      |      |   |   |   |   |   |       |   |     |   |   |   |      |   |   |   |   |       |       |   |     |   |   |   |      |      |   |   |   |       |       |   |     |   |   |   |      |      |   |   |   |   |       |   |     |   |   |   |   |      |   |   |   |   |       |   |     |   |   |   |   |      |   |   |   |   |       |   |     |   |   |   |   |      |   |   |   |   |      |   |     |   |   |   |   |   |   |   |   |   |      |      |     |   |   |   |   |   |   |   |   |   |      |      |     |   |   |   |   |   |   |   |   |   |      |      |     |   |   |   |   |   |   |   |   |   |   |      |     |   |   |   |   |   |   |   |   |   |   |      |     |   |   |   |   |   |   |   |   |   |   |      |
| 90   | -     | -       | -     | -      | -    | -           | - | -    | -     | 167,0 | -           |      |  |  |  |  |  |  |  |  |  |  |      |     |  |  |  |  |  |  |  |  |  |  |             |  |     |     |     |     |     |     |  |  |  |  |  |   |   |   |   |   |   |   |   |   |   |   |   |    |   |        |   |   |   |   |   |   |   |   |   |    |   |        |   |   |   |   |   |   |   |   |   |    |   |        |   |   |   |   |   |   |   |   |   |    |       |       |   |   |   |   |   |   |   |       |   |    |       |       |   |   |   |   |   |   |   |       |   |    |       |       |   |   |   |   |   |   |   |       |   |    |       |       |   |   |   |   |   |   |   |       |   |    |       |       |   |   |   |   |   |   |   |       |   |    |       |       |   |   |   |   |   |   |   |       |   |    |       |       |   |   |   |   |   |   |   |       |   |    |      |       |       |   |   |   |   |   |   |       |   |    |      |       |       |   |   |   |   |   |   |       |   |    |      |       |       |   |   |   |   |   |   |       |   |    |      |       |       |   |   |   |   |   |   |       |   |    |      |       |       |   |   |   |   |   |   |       |   |    |      |       |       |   |   |   |   |   |   |       |   |    |   |      |       |       |   |   |   |   |   |       |   |    |   |      |       |       |   |   |   |   |   |       |   |     |   |      |       |       |   |   |   |   |   |       |   |     |   |      |       |       |   |   |   |   |   |       |   |     |   |      |       |       |   |   |   |   |   |       |   |     |   |      |       |       |   |   |   |   |   |       |   |     |   |      |      |       |   |       |   |   |   |       |   |     |   |   |      |       |   |       |   |   |   |       |   |     |   |   |      |       |   |       |   |   |   |       |   |     |   |   |      |       |   |   |   |   |   |       |   |     |   |   |      |      |   |   |   |   |   |       |   |     |   |   |   |      |   |   |   |   |       |       |   |     |   |   |   |      |      |   |   |   |       |       |   |     |   |   |   |      |      |   |   |   |   |       |   |     |   |   |   |   |      |   |   |   |   |       |   |     |   |   |   |   |      |   |   |   |   |       |   |     |   |   |   |   |      |   |   |   |   |      |   |     |   |   |   |   |   |   |   |   |   |      |      |     |   |   |   |   |   |   |   |   |   |      |      |     |   |   |   |   |   |   |   |   |   |      |      |     |   |   |   |   |   |   |   |   |   |   |      |     |   |   |   |   |   |   |   |   |   |   |      |     |   |   |   |   |   |   |   |   |   |   |      |
| 94   | -     | -       | -     | -      | -    | -           | - | -    | -     | 150,0 | -           |      |  |  |  |  |  |  |  |  |  |  |      |     |  |  |  |  |  |  |  |  |  |  |             |  |     |     |     |     |     |     |  |  |  |  |  |   |   |   |   |   |   |   |   |   |   |   |   |    |   |        |   |   |   |   |   |   |   |   |   |    |   |        |   |   |   |   |   |   |   |   |   |    |   |        |   |   |   |   |   |   |   |   |   |    |       |       |   |   |   |   |   |   |   |       |   |    |       |       |   |   |   |   |   |   |   |       |   |    |       |       |   |   |   |   |   |   |   |       |   |    |       |       |   |   |   |   |   |   |   |       |   |    |       |       |   |   |   |   |   |   |   |       |   |    |       |       |   |   |   |   |   |   |   |       |   |    |       |       |   |   |   |   |   |   |   |       |   |    |      |       |       |   |   |   |   |   |   |       |   |    |      |       |       |   |   |   |   |   |   |       |   |    |      |       |       |   |   |   |   |   |   |       |   |    |      |       |       |   |   |   |   |   |   |       |   |    |      |       |       |   |   |   |   |   |   |       |   |    |      |       |       |   |   |   |   |   |   |       |   |    |   |      |       |       |   |   |   |   |   |       |   |    |   |      |       |       |   |   |   |   |   |       |   |     |   |      |       |       |   |   |   |   |   |       |   |     |   |      |       |       |   |   |   |   |   |       |   |     |   |      |       |       |   |   |   |   |   |       |   |     |   |      |       |       |   |   |   |   |   |       |   |     |   |      |      |       |   |       |   |   |   |       |   |     |   |   |      |       |   |       |   |   |   |       |   |     |   |   |      |       |   |       |   |   |   |       |   |     |   |   |      |       |   |   |   |   |   |       |   |     |   |   |      |      |   |   |   |   |   |       |   |     |   |   |   |      |   |   |   |   |       |       |   |     |   |   |   |      |      |   |   |   |       |       |   |     |   |   |   |      |      |   |   |   |   |       |   |     |   |   |   |   |      |   |   |   |   |       |   |     |   |   |   |   |      |   |   |   |   |       |   |     |   |   |   |   |      |   |   |   |   |      |   |     |   |   |   |   |   |   |   |   |   |      |      |     |   |   |   |   |   |   |   |   |   |      |      |     |   |   |   |   |   |   |   |   |   |      |      |     |   |   |   |   |   |   |   |   |   |   |      |     |   |   |   |   |   |   |   |   |   |   |      |     |   |   |   |   |   |   |   |   |   |   |      |
| 95   | -     | -       | -     | -      | -    | -           | - | -    | 147,0 | 145,7 | -           |      |  |  |  |  |  |  |  |  |  |  |      |     |  |  |  |  |  |  |  |  |  |  |             |  |     |     |     |     |     |     |  |  |  |  |  |   |   |   |   |   |   |   |   |   |   |   |   |    |   |        |   |   |   |   |   |   |   |   |   |    |   |        |   |   |   |   |   |   |   |   |   |    |   |        |   |   |   |   |   |   |   |   |   |    |       |       |   |   |   |   |   |   |   |       |   |    |       |       |   |   |   |   |   |   |   |       |   |    |       |       |   |   |   |   |   |   |   |       |   |    |       |       |   |   |   |   |   |   |   |       |   |    |       |       |   |   |   |   |   |   |   |       |   |    |       |       |   |   |   |   |   |   |   |       |   |    |       |       |   |   |   |   |   |   |   |       |   |    |      |       |       |   |   |   |   |   |   |       |   |    |      |       |       |   |   |   |   |   |   |       |   |    |      |       |       |   |   |   |   |   |   |       |   |    |      |       |       |   |   |   |   |   |   |       |   |    |      |       |       |   |   |   |   |   |   |       |   |    |      |       |       |   |   |   |   |   |   |       |   |    |   |      |       |       |   |   |   |   |   |       |   |    |   |      |       |       |   |   |   |   |   |       |   |     |   |      |       |       |   |   |   |   |   |       |   |     |   |      |       |       |   |   |   |   |   |       |   |     |   |      |       |       |   |   |   |   |   |       |   |     |   |      |       |       |   |   |   |   |   |       |   |     |   |      |      |       |   |       |   |   |   |       |   |     |   |   |      |       |   |       |   |   |   |       |   |     |   |   |      |       |   |       |   |   |   |       |   |     |   |   |      |       |   |   |   |   |   |       |   |     |   |   |      |      |   |   |   |   |   |       |   |     |   |   |   |      |   |   |   |   |       |       |   |     |   |   |   |      |      |   |   |   |       |       |   |     |   |   |   |      |      |   |   |   |   |       |   |     |   |   |   |   |      |   |   |   |   |       |   |     |   |   |   |   |      |   |   |   |   |       |   |     |   |   |   |   |      |   |   |   |   |      |   |     |   |   |   |   |   |   |   |   |   |      |      |     |   |   |   |   |   |   |   |   |   |      |      |     |   |   |   |   |   |   |   |   |   |      |      |     |   |   |   |   |   |   |   |   |   |   |      |     |   |   |   |   |   |   |   |   |   |   |      |     |   |   |   |   |   |   |   |   |   |   |      |
| 97   | -     | -       | -     | -      | -    | -           | - | -    | 143,0 | 137,2 | -           |      |  |  |  |  |  |  |  |  |  |  |      |     |  |  |  |  |  |  |  |  |  |  |             |  |     |     |     |     |     |     |  |  |  |  |  |   |   |   |   |   |   |   |   |   |   |   |   |    |   |        |   |   |   |   |   |   |   |   |   |    |   |        |   |   |   |   |   |   |   |   |   |    |   |        |   |   |   |   |   |   |   |   |   |    |       |       |   |   |   |   |   |   |   |       |   |    |       |       |   |   |   |   |   |   |   |       |   |    |       |       |   |   |   |   |   |   |   |       |   |    |       |       |   |   |   |   |   |   |   |       |   |    |       |       |   |   |   |   |   |   |   |       |   |    |       |       |   |   |   |   |   |   |   |       |   |    |       |       |   |   |   |   |   |   |   |       |   |    |      |       |       |   |   |   |   |   |   |       |   |    |      |       |       |   |   |   |   |   |   |       |   |    |      |       |       |   |   |   |   |   |   |       |   |    |      |       |       |   |   |   |   |   |   |       |   |    |      |       |       |   |   |   |   |   |   |       |   |    |      |       |       |   |   |   |   |   |   |       |   |    |   |      |       |       |   |   |   |   |   |       |   |    |   |      |       |       |   |   |   |   |   |       |   |     |   |      |       |       |   |   |   |   |   |       |   |     |   |      |       |       |   |   |   |   |   |       |   |     |   |      |       |       |   |   |   |   |   |       |   |     |   |      |       |       |   |   |   |   |   |       |   |     |   |      |      |       |   |       |   |   |   |       |   |     |   |   |      |       |   |       |   |   |   |       |   |     |   |   |      |       |   |       |   |   |   |       |   |     |   |   |      |       |   |   |   |   |   |       |   |     |   |   |      |      |   |   |   |   |   |       |   |     |   |   |   |      |   |   |   |   |       |       |   |     |   |   |   |      |      |   |   |   |       |       |   |     |   |   |   |      |      |   |   |   |   |       |   |     |   |   |   |   |      |   |   |   |   |       |   |     |   |   |   |   |      |   |   |   |   |       |   |     |   |   |   |   |      |   |   |   |   |      |   |     |   |   |   |   |   |   |   |   |   |      |      |     |   |   |   |   |   |   |   |   |   |      |      |     |   |   |   |   |   |   |   |   |   |      |      |     |   |   |   |   |   |   |   |   |   |   |      |     |   |   |   |   |   |   |   |   |   |   |      |     |   |   |   |   |   |   |   |   |   |   |      |
| 98   | -     | -       | -     | -      | -    | -           | - | -    | -     | 133,0 | -           |      |  |  |  |  |  |  |  |  |  |  |      |     |  |  |  |  |  |  |  |  |  |  |             |  |     |     |     |     |     |     |  |  |  |  |  |   |   |   |   |   |   |   |   |   |   |   |   |    |   |        |   |   |   |   |   |   |   |   |   |    |   |        |   |   |   |   |   |   |   |   |   |    |   |        |   |   |   |   |   |   |   |   |   |    |       |       |   |   |   |   |   |   |   |       |   |    |       |       |   |   |   |   |   |   |   |       |   |    |       |       |   |   |   |   |   |   |   |       |   |    |       |       |   |   |   |   |   |   |   |       |   |    |       |       |   |   |   |   |   |   |   |       |   |    |       |       |   |   |   |   |   |   |   |       |   |    |       |       |   |   |   |   |   |   |   |       |   |    |      |       |       |   |   |   |   |   |   |       |   |    |      |       |       |   |   |   |   |   |   |       |   |    |      |       |       |   |   |   |   |   |   |       |   |    |      |       |       |   |   |   |   |   |   |       |   |    |      |       |       |   |   |   |   |   |   |       |   |    |      |       |       |   |   |   |   |   |   |       |   |    |   |      |       |       |   |   |   |   |   |       |   |    |   |      |       |       |   |   |   |   |   |       |   |     |   |      |       |       |   |   |   |   |   |       |   |     |   |      |       |       |   |   |   |   |   |       |   |     |   |      |       |       |   |   |   |   |   |       |   |     |   |      |       |       |   |   |   |   |   |       |   |     |   |      |      |       |   |       |   |   |   |       |   |     |   |   |      |       |   |       |   |   |   |       |   |     |   |   |      |       |   |       |   |   |   |       |   |     |   |   |      |       |   |   |   |   |   |       |   |     |   |   |      |      |   |   |   |   |   |       |   |     |   |   |   |      |   |   |   |   |       |       |   |     |   |   |   |      |      |   |   |   |       |       |   |     |   |   |   |      |      |   |   |   |   |       |   |     |   |   |   |   |      |   |   |   |   |       |   |     |   |   |   |   |      |   |   |   |   |       |   |     |   |   |   |   |      |   |   |   |   |      |   |     |   |   |   |   |   |   |   |   |   |      |      |     |   |   |   |   |   |   |   |   |   |      |      |     |   |   |   |   |   |   |   |   |   |      |      |     |   |   |   |   |   |   |   |   |   |   |      |     |   |   |   |   |   |   |   |   |   |   |      |     |   |   |   |   |   |   |   |   |   |   |      |
| 102  | -     | -       | -     | -      | -    | -           | - | -    | -     | 116,0 | -           |      |  |  |  |  |  |  |  |  |  |  |      |     |  |  |  |  |  |  |  |  |  |  |             |  |     |     |     |     |     |     |  |  |  |  |  |   |   |   |   |   |   |   |   |   |   |   |   |    |   |        |   |   |   |   |   |   |   |   |   |    |   |        |   |   |   |   |   |   |   |   |   |    |   |        |   |   |   |   |   |   |   |   |   |    |       |       |   |   |   |   |   |   |   |       |   |    |       |       |   |   |   |   |   |   |   |       |   |    |       |       |   |   |   |   |   |   |   |       |   |    |       |       |   |   |   |   |   |   |   |       |   |    |       |       |   |   |   |   |   |   |   |       |   |    |       |       |   |   |   |   |   |   |   |       |   |    |       |       |   |   |   |   |   |   |   |       |   |    |      |       |       |   |   |   |   |   |   |       |   |    |      |       |       |   |   |   |   |   |   |       |   |    |      |       |       |   |   |   |   |   |   |       |   |    |      |       |       |   |   |   |   |   |   |       |   |    |      |       |       |   |   |   |   |   |   |       |   |    |      |       |       |   |   |   |   |   |   |       |   |    |   |      |       |       |   |   |   |   |   |       |   |    |   |      |       |       |   |   |   |   |   |       |   |     |   |      |       |       |   |   |   |   |   |       |   |     |   |      |       |       |   |   |   |   |   |       |   |     |   |      |       |       |   |   |   |   |   |       |   |     |   |      |       |       |   |   |   |   |   |       |   |     |   |      |      |       |   |       |   |   |   |       |   |     |   |   |      |       |   |       |   |   |   |       |   |     |   |   |      |       |   |       |   |   |   |       |   |     |   |   |      |       |   |   |   |   |   |       |   |     |   |   |      |      |   |   |   |   |   |       |   |     |   |   |   |      |   |   |   |   |       |       |   |     |   |   |   |      |      |   |   |   |       |       |   |     |   |   |   |      |      |   |   |   |   |       |   |     |   |   |   |   |      |   |   |   |   |       |   |     |   |   |   |   |      |   |   |   |   |       |   |     |   |   |   |   |      |   |   |   |   |      |   |     |   |   |   |   |   |   |   |   |   |      |      |     |   |   |   |   |   |   |   |   |   |      |      |     |   |   |   |   |   |   |   |   |   |      |      |     |   |   |   |   |   |   |   |   |   |   |      |     |   |   |   |   |   |   |   |   |   |   |      |     |   |   |   |   |   |   |   |   |   |   |      |
| 106  | -     | -       | -     | -      | -    | -           | - | -    | -     | 100,0 | -           |      |  |  |  |  |  |  |  |  |  |  |      |     |  |  |  |  |  |  |  |  |  |  |             |  |     |     |     |     |     |     |  |  |  |  |  |   |   |   |   |   |   |   |   |   |   |   |   |    |   |        |   |   |   |   |   |   |   |   |   |    |   |        |   |   |   |   |   |   |   |   |   |    |   |        |   |   |   |   |   |   |   |   |   |    |       |       |   |   |   |   |   |   |   |       |   |    |       |       |   |   |   |   |   |   |   |       |   |    |       |       |   |   |   |   |   |   |   |       |   |    |       |       |   |   |   |   |   |   |   |       |   |    |       |       |   |   |   |   |   |   |   |       |   |    |       |       |   |   |   |   |   |   |   |       |   |    |       |       |   |   |   |   |   |   |   |       |   |    |      |       |       |   |   |   |   |   |   |       |   |    |      |       |       |   |   |   |   |   |   |       |   |    |      |       |       |   |   |   |   |   |   |       |   |    |      |       |       |   |   |   |   |   |   |       |   |    |      |       |       |   |   |   |   |   |   |       |   |    |      |       |       |   |   |   |   |   |   |       |   |    |   |      |       |       |   |   |   |   |   |       |   |    |   |      |       |       |   |   |   |   |   |       |   |     |   |      |       |       |   |   |   |   |   |       |   |     |   |      |       |       |   |   |   |   |   |       |   |     |   |      |       |       |   |   |   |   |   |       |   |     |   |      |       |       |   |   |   |   |   |       |   |     |   |      |      |       |   |       |   |   |   |       |   |     |   |   |      |       |   |       |   |   |   |       |   |     |   |   |      |       |   |       |   |   |   |       |   |     |   |   |      |       |   |   |   |   |   |       |   |     |   |   |      |      |   |   |   |   |   |       |   |     |   |   |   |      |   |   |   |   |       |       |   |     |   |   |   |      |      |   |   |   |       |       |   |     |   |   |   |      |      |   |   |   |   |       |   |     |   |   |   |   |      |   |   |   |   |       |   |     |   |   |   |   |      |   |   |   |   |       |   |     |   |   |   |   |      |   |   |   |   |      |   |     |   |   |   |   |   |   |   |   |   |      |      |     |   |   |   |   |   |   |   |   |   |      |      |     |   |   |   |   |   |   |   |   |   |      |      |     |   |   |   |   |   |   |   |   |   |   |      |     |   |   |   |   |   |   |   |   |   |   |      |     |   |   |   |   |   |   |   |   |   |   |      |

6 m steps of luffing jib is standard · 6 m Stufung der Wippe ist Standard · Des paliers de 6 m sont de série pour la fléchette

Main boom angle 88°, 85°, 75°, 65°, 55° and 45°; capacities for intermediate boom positions are calculated by the crane control system IC-1  
 Hauptauslegerwinkel 88°, 85°, 75°, 65°, 55° und 45°; Traglasten für Zwischenstellungen des Hauptauslegers werden von der Kransteuerung IC-1 berechnet

Jarret de flèche principale 88°, 85°, 75°, 65°, 55° et 45° ; le système de commande de la grue IC-1 calcule les charges pour les positions intermédiaires de la flèche

\* Main boom angle 88° · Hauptauslegerwinkel 88° · Jarret de flèche principale 88°

| 295 t + 60 t ZB |       | 19-30 m |       | 10,5 m      |       | 9.8 m/s     |      | 360°  |       | ISO |  |  |
|-----------------|-------|---------|-------|-------------|-------|-------------|------|-------|-------|-----|--|--|
| 84 m + 48 m     |       |         |       |             |       | 84 m + 60 m |      |       |       |     |  |  |
|                 |       | SWSL    |       |             |       |             | SFSL |       |       |     |  |  |
|                 |       | 0 t     |       | 0 t - 640 t |       |             |      |       |       |     |  |  |
|                 |       | 85°     | 85°   | 75°         | 65°   | 55°         | 45°  |       |       |     |  |  |
| m               | t     | t       | t     | t           | t     | t           | t    | t     | t     |     |  |  |
| 24              | -     | 330,0*  | -     | -           | -     | -           | -    | -     | -     |     |  |  |
| 26              | -     | 322,0*  | -     | -           | -     | -           | -    | -     | -     |     |  |  |
| 28              | -     | 314,0*  | -     | -           | -     | -           | -    | -     | -     |     |  |  |
| 30              | 178,0 | 347,0   | -     | -           | -     | -           | -    | -     | 337,0 |     |  |  |
| 34              | 156,0 | 335,0   | -     | -           | -     | -           | -    | -     | 337,0 |     |  |  |
| 38              | 139,0 | 323,0   | -     | -           | -     | -           | -    | -     | 337,0 |     |  |  |
| 42              | 124,0 | 310,0   | -     | -           | -     | -           | -    | -     | 337,0 |     |  |  |
| 46              | 111,0 | 298,0   | -     | -           | -     | -           | -    | -     | 337,0 |     |  |  |
| 50              | 101,0 | 288,0   | -     | -           | -     | -           | -    | -     | 329,0 |     |  |  |
| 52              | 95,5  | 279,0   | 353,0 | -           | -     | -           | -    | -     | 323,5 |     |  |  |
| 54              | 90,0  | 263,0   | 352,0 | -           | -     | -           | -    | -     | 318,0 |     |  |  |
| 56              | 85,0  | 247,0   | 348,0 | -           | -     | -           | -    | -     | 309,0 |     |  |  |
| 58              | -     | -       | 342,0 | -           | -     | -           | -    | -     | 304,0 |     |  |  |
| 62              | -     | -       | 320,0 | -           | -     | -           | -    | -     | 293,0 |     |  |  |
| 66              | -     | -       | 283,0 | -           | -     | -           | -    | -     | 279,0 |     |  |  |
| 70              | -     | -       | 253,0 | -           | -     | -           | -    | -     | 255,0 |     |  |  |
| 72              | -     | -       | -     | 248,0       | -     | -           | -    | -     | 244,5 |     |  |  |
| 74              | -     | -       | -     | 240,0       | -     | -           | -    | -     | 234,0 |     |  |  |
| 78              | -     | -       | -     | 225,0       | -     | -           | -    | -     | 215,0 |     |  |  |
| 82              | -     | -       | -     | 212,0       | -     | -           | -    | -     | 199,0 |     |  |  |
| 84              | -     | -       | -     | 206,0       | -     | -           | -    | -     | 191,0 |     |  |  |
| 86              | -     | -       | -     | -           | -     | -           | -    | -     | 183,0 |     |  |  |
| 90              | -     | -       | -     | -           | 171,0 | -           | -    | -     | 169,0 |     |  |  |
| 94              | -     | -       | -     | -           | 162,0 | -           | -    | -     | 157,0 |     |  |  |
| 97              | -     | -       | -     | -           | 156,0 | -           | -    | -     | 148,0 |     |  |  |
| 98              | -     | -       | -     | -           | -     | -           | -    | -     | 145,0 |     |  |  |
| 102             | -     | -       | -     | -           | -     | -           | -    | -     | 131,0 |     |  |  |
| 106             | -     | -       | -     | -           | -     | -           | -    | 119,0 | 117,0 |     |  |  |
| 109             | -     | -       | -     | -           | -     | -           | -    | 115,0 | 106,5 |     |  |  |
| 110             | -     | -       | -     | -           | -     | -           | -    | -     | 103,0 |     |  |  |
| 114             | -     | -       | -     | -           | -     | -           | -    | -     | 89,5  |     |  |  |
| 118             | -     | -       | -     | -           | -     | -           | -    | -     | 77,5  |     |  |  |
| 26              | -     | 270,0*  | -     | -           | -     | -           | -    | -     | -     |     |  |  |
| 28              | -     | 268,0*  | -     | -           | -     | -           | -    | -     | -     |     |  |  |
| 30              | -     | 263,0*  | -     | -           | -     | -           | -    | -     | -     |     |  |  |
| 34              | 146,0 | 281,0   | -     | -           | -     | -           | -    | -     | 275,0 |     |  |  |
| 38              | 129,0 | 275,0   | -     | -           | -     | -           | -    | -     | 275,0 |     |  |  |
| 42              | 115,0 | 267,0   | -     | -           | -     | -           | -    | -     | 275,0 |     |  |  |
| 46              | 103,0 | 259,0   | -     | -           | -     | -           | -    | -     | 275,0 |     |  |  |
| 50              | 93,0  | 251,0   | -     | -           | -     | -           | -    | -     | 275,0 |     |  |  |
| 54              | 84,0  | 243,0   | -     | -           | -     | -           | -    | -     | 271,0 |     |  |  |
| 58              | 76,5  | 234,0   | 289,0 | -           | -     | -           | -    | -     | 264,0 |     |  |  |
| 62              | 69,5  | 225,0   | 284,0 | -           | -     | -           | -    | -     | 256,0 |     |  |  |
| 66              | 63,5  | 199,0   | 279,0 | -           | -     | -           | -    | -     | 246,0 |     |  |  |
| 68              | 60,0  | 182,0   | 275,0 | -           | -     | -           | -    | -     | 242,5 |     |  |  |
| 70              | -     | -       | 266,0 | -           | -     | -           | -    | -     | 239,0 |     |  |  |
| 74              | -     | -       | 239,0 | -           | -     | -           | -    | -     | 232,0 |     |  |  |
| 78              | -     | -       | 217,0 | -           | -     | -           | -    | -     | 221,0 |     |  |  |
| 79              | -     | -       | 212,0 | 219,0       | -     | -           | -    | -     | 216,7 |     |  |  |
| 82              | -     | -       | 198,0 | 209,0       | -     | -           | -    | -     | 204,0 |     |  |  |
| 86              | -     | -       | -     | 197,0       | -     | -           | -    | -     | 189,0 |     |  |  |
| 90              | -     | -       | -     | 187,0       | -     | -           | -    | -     | 175,0 |     |  |  |
| 94              | -     | -       | -     | 177,0       | -     | -           | -    | -     | 162,0 |     |  |  |
| 96              | -     | -       | -     | 172,0       | -     | -           | -    | -     | 156,0 |     |  |  |
| 98              | -     | -       | -     | -           | -     | -           | -    | -     | 150,0 |     |  |  |
| 99              | -     | -       | -     | -           | -     | 148,0       | -    | -     | 147,2 |     |  |  |
| 102             | -     | -       | -     | -           | -     | 143,0       | -    | -     | 139,0 |     |  |  |
| 106             | -     | -       | -     | -           | -     | 136,0       | -    | -     | 129,0 |     |  |  |
| 108             | -     | -       | -     | -           | -     | 133,0       | -    | -     | 123,5 |     |  |  |
| 110             | -     | -       | -     | -           | -     | -           | -    | -     | 118,0 |     |  |  |
| 114             | -     | -       | -     | -           | -     | -           | -    | -     | 105,0 |     |  |  |
| 116             | -     | -       | -     | -           | -     | -           | -    | 101,0 | 99,2  |     |  |  |
| 118             | -     | -       | -     | -           | -     | -           | -    | 98,0  | 93,5  |     |  |  |
| 120             | -     | -       | -     | -           | -     | -           | -    | 95,5  | 87,5  |     |  |  |
| 122             | -     | -       | -     | -           | -     | -           | -    | -     | 81,5  |     |  |  |
| 126             | -     | -       | -     | -           | -     | -           | -    | -     | 70,0  |     |  |  |
| 130             | -     | -       | -     | -           | -     | -           | -    | -     | 62,0  |     |  |  |

6 m steps of luffing jib is standard · 6 m Stufung der Wippe ist Standard · Des paliers de 6 m sont de série pour la fléchette

Main boom angle 88°, 85°, 75°, 65°, 55° and 45°; capacities for intermediate boom positions are calculated by the crane control system IC-1  
Hauptauslegerwinkel 88°, 85°, 75°, 65°, 55° und 45°; Traglasten für Zwischenstellungen des Hauptauslegers werden von der Kransteuerung IC-1 berechnet

Jarret de flèche principale 88°, 85°, 75°, 65°, 55° et 45° ; le système de commande de la grue IC-1 calcule les charges pour les positions intermédiaires de la flèche

\* Main boom angle 88° · Hauptauslegerwinkel 88° · Jarret de flèche principale 88°

| 295 t + 60 t ZB |       | 19-30 m |       | 10,5 m      |       | 9.8 m/s     |      | 360° |       | ISO |  |  |
|-----------------|-------|---------|-------|-------------|-------|-------------|------|------|-------|-----|--|--|
| 84 m + 72 m     |       |         |       |             |       | 84 m + 84 m |      |      |       |     |  |  |
|                 |       | SWSL    |       |             |       |             | SFSL |      |       |     |  |  |
|                 |       | 0 t     |       | 0 t - 640 t |       |             |      |      |       |     |  |  |
|                 |       | 85°     | 85°   | 75°         | 65°   | 55°         | 45°  |      |       |     |  |  |
| m               | t     | t       | t     | t           | t     | t           | t    | t    | t     |     |  |  |
| 30              | -     | 220,0*  | -     | -           | -     | -           | -    | -    | -     |     |  |  |
| 34              | -     | 215,0*  | -     | -           | -     | -           | -    | -    | -     |     |  |  |
| 38              | 120,0 | 230,0   | -     | -           | -     | -           | -    | -    | 224,0 |     |  |  |
| 42              | 106,0 | 225,0   | -     | -           | -     | -           | -    | -    | 224,0 |     |  |  |
| 46              | 95,0  | 220,0   | -     | -           | -     | -           | -    | -    | 224,0 |     |  |  |
| 50              | 85,5  | 215,0   | -     | -           | -     | -           | -    | -    | 224,0 |     |  |  |
| 54              | 76,5  | 209,0   | -     | -           | -     | -           | -    | -    | 224,0 |     |  |  |
| 58              | 69,0  | 204,0   | -     | -           | -     | -           | -    | -    | 224,0 |     |  |  |
| 62              | 62,5  | 199,0   | -     | -           | -     | -           | -    | -    | 219,0 |     |  |  |
| 64              | 59,5  | 195,0   | 233,0 | -           | -     | -           | -    | -    | 216,5 |     |  |  |
| 66              | 56,5  | 192,0   | 233,0 | -           | -     | -           | -    | -    | 214,0 |     |  |  |
| 70              | 51,5  | 185,0   | 232,0 | -           | -     | -           | -    | -    | 210,0 |     |  |  |
| 74              | 46,7  | 169,0   | 226,0 | -           | -     | -           | -    | -    | 205,0 |     |  |  |
| 78              | 42,4  | 147,0   | 222,0 | -           | -     | -           | -    | -    | 198,0 |     |  |  |
| 82              | -     | -       | 202,0 | -           | -     | -           | -    | -    | 193,0 |     |  |  |
| 86              | -     | -       | 185,0 | -           | -     | -           | -    | -    | 188,0 |     |  |  |
| 88              | -     | -       | 177,0 | 187,0       | -     | -           | -    | -    | 182,5 |     |  |  |
| 90              | -     | -       | 170,0 | 181,0       | -     | -           | -    | -    | 177,0 |     |  |  |
| 94              | -     | -       | 150,0 | 172,0       | -     | -           | -    | -    | 164,0 |     |  |  |
| 98              | -     | -       | -     | 163,0       | -     | -           | -    | -    | 152,0 |     |  |  |
| 102             | -     | -       | -     | 154,0       | -     | -           | -    | -    | 141,0 |     |  |  |
| 106             | -     | -       | -     | 147,0       | -     | -           | -    | -    | 131,0 |     |  |  |
| 108             | -     | -       | -     | -           | 127,0 | -           | -    | -    | 126,0 |     |  |  |
| 110             | -     | -       | -     | -           | 124,0 | -           | -    | -    | 121,0 |     |  |  |
| 114             | -     | -       | -     | -           | 118,0 | -           | -    | -    | 112,0 |     |  |  |
| 118             | -     | -       | -     | -           | 113,0 | -           | -    | -    | 103,0 |     |  |  |
| 120             | -     | -       | -     | -           | 110,0 | -           | -    | -    | 97,7  |     |  |  |
| 122             | -     | -       | -     | -           | -     | -           | -    | -    | 92,5  |     |  |  |
| 126             | -     | -       | -     | -           | -     | -           | -    | -    | 81,5  |     |  |  |
| 128             | -     | -       | -     | -           | -     | -           | -    | 80,0 | 76,5  |     |  |  |
| 130             | -     | -       | -     | -           | -     | -           | -    | 78,0 | 71,5  |     |  |  |
| 134             | -     | -       | -     | -           | -     | -           | -    | -    | 61,0  |     |  |  |
| 138             | -     | -       | -     | -           | -     | -           | -    | -    | 52,0  |     |  |  |
| 142             | -     | -       | -     | -           | -     | -           | -    | -    | 47,8  |     |  |  |
| 34              | -     | 180,0*  | -     | -           | -     | -           | -    | -    | -     |     |  |  |
| 38              | -     | 175,0*  | -     | -           | -     | -           | -    | -    | -     |     |  |  |
| 42              | 95,5  | 186,0   | -     | -           | -     | -           | -    | -    | 182,0 |     |  |  |
| 46              | 85,0  | 184,0   | -     | -           | -     | -           | -    | -    | 182,0 |     |  |  |
| 50              | 75,5  | 180,0   | -     | -           | -     | -           | -    | -    | 182,0 |     |  |  |
| 54              | 67,0  | 177,0   | -     | -           | -     | -           | -    | -    | 182,0 |     |  |  |
| 58              | 60,0  | 173,0   | -     | -           | -     | -           | -    | -    | 182,0 |     |  |  |
| 62              | 53,5  | 169,0   | -     | -           | -     | -           | -    | -    | 182,0 |     |  |  |
| 66              | 47,9  | 166,0   | -     | -           | -     | -           | -    | -    | 180,0 |     |  |  |
| 70              | 42,8  | 162,0   | 186,0 | -           | -     | -           | -    | -    | 177,0 |     |  |  |
| 74              | 38,1  | 157,0   | 186,0 | -           | -     | -           | -    | -    | 174,0 |     |  |  |
| 78              | 33,9  | 152,0   | 186,0 | -           | -     | -           | -    | -    | 171,0 |     |  |  |
| 82              | 30,1  | 141,0   | 185,0 | -           | -     | -           | -    | -    | 168,0 |     |  |  |
| 86              | 26,6  | 125,0   | 179,0 | -           | -     | -           | -    | -    | 163,0 |     |  |  |
| 88              | 24,9  | 117,0   | 172,0 | -           | -     | -           | -    | -    | 161,5 |     |  |  |
| 90              | -     | -       | 164,0 | -           | -     | -           | -    | -    | 160,0 |     |  |  |
| 94              | -     | -       | 151,0 | -           | -     | -           | -    | -    | 157,0 |     |  |  |
| 96              | -     | -       | 145,0 | 158,0       | -     | -           | -    | -    | 153,0 |     |  |  |
| 98              | -     | -       | 139,0 | 154,0       | -     | -           | -    | -    | 149,0 |     |  |  |
| 102             | -     | -       | 129,0 | 145,0       | -     | -           | -    | -    | 138,0 |     |  |  |
| 104             | -     | -       | 121,0 | 142,0       | -     | -           | -    | -    | 133,0 |     |  |  |
| 106             | -     | -       | -     | 138,0       | -     | -           | -    | -    | 128,0 |     |  |  |
| 110             | -     | -       | -     | 131,0       | -     | -           | -    | -    | 118,0 |     |  |  |
| 114             | -     | -       | -     | 125,0       | -     | -           | -    | -    | 110,0 |     |  |  |
| 118             | -     | -       | -     | 119,0       | 103,0 | -           | -    | -    | 101,0 |     |  |  |
| 122             | -     | -       | -     | -           | 98,5  | -           | -    | -    | 94,0  |     |  |  |
| 126             | -     | -       | -     | -           | 93,5  | -           | -    | -    | 85,5  |     |  |  |
| 130             | -     | -       | -     | -           | 89,5  | -           | -    | -    | 75,5  |     |  |  |
| 132             | -     | -       | -     | -           | 87,5  | -           | -    | -    | 71,0  |     |  |  |
| 134             | -     | -       | -     | -           | -     | -           | -    | -    | 66,5  |     |  |  |
| 138             | -     | -       | -     | -           | -     | -           | -    | 60,0 | 57,5  |     |  |  |
| 142             | -     | -       | -     | -           | -     | -           | -    | 57,0 | 48,7  |     |  |  |
| 146             | -     | -       | -     | -           | -     | -           | -    | -    | 41,5  |     |  |  |
| 150             | -     | -       | -     | -           | -     | -           | -    | -    | 37,2  |     |  |  |
| 154             | -     | -       | -     | -           | -     | -           | -    | -    | 29,5  |     |  |  |

6 m steps of luffing jib is standard · 6 m Stufung der Wippe ist Standard · Des paliers de 6 m sont de série pour la fléchette

Main boom angle 88°, 85°, 75°, 65°, 55° and 45°; capacities for intermediate boom positions are calculated by the crane control system IC-1  
Hauptauslegerwinkel 88°, 85°, 75°, 65°, 55° und 45°; Traglasten für Zwischenstellungen des Hauptauslegers werden von der Kransteuerung IC-1 berechnet

Jarret de flèche principale 88°, 85°, 75°, 65°, 55° et 45° ; le système de commande de la grue IC-1 calcule les charges pour les positions intermédiaires de la flèche

\* Main boom angle 88° · Hauptauslegerwinkel 88° · Jarret de flèche principale 88°

| 295 t + 60 t ZB |      | 19-30 m |       | 10,5 m      |      | 9.8 m/s      |      | 360° |       | ISO |  |  |
|-----------------|------|---------|-------|-------------|------|--------------|------|------|-------|-----|--|--|
| 84 m + 96 m     |      |         |       |             |      | 84 m + 108 m |      |      |       |     |  |  |
|                 |      | SWSL    |       |             |      |              | SFSL |      |       |     |  |  |
|                 |      | 0 t     |       | 0 t - 640 t |      |              |      |      |       |     |  |  |
|                 |      | 85°     | 85°   | 75°         | 65°  | 55°          | 45°  |      |       |     |  |  |
| m               | t    | t       | t     | t           | t    | t            | t    | t    | t     |     |  |  |
| 38              | -    | 145,0*  | -     | -           | -    | -            | -    | -    | -     |     |  |  |
| 42              | -    | 142,0*  | -     | -           | -    | -            | -    | -    | -     |     |  |  |
| 46              | 76,5 | 150,0   | -     | -           | -    | -            | -    | -    | 147,0 |     |  |  |
| 50              | 67,5 | 148,0   | -     | -           | -    | -            | -    | -    | 147,0 |     |  |  |
| 54              | 59,5 | 146,0   | -     | -           | -    | -            | -    | -    | 147,0 |     |  |  |
| 58              | 52,5 | 143,0   | -     | -           | -    | -            | -    | -    | 147,0 |     |  |  |
| 62              | 46,7 | 141,0   | -     | -           | -    | -            | -    | -    | 147,0 |     |  |  |
| 66              | 41,2 | 138,0   | -     | -           | -    | -            | -    | -    | 147,0 |     |  |  |
| 70              | 36,2 | 136,0   | -     | -           | -    | -            | -    | -    | 146,0 |     |  |  |
| 74              | 31,7 | 133,0   | -     | -           | -    | -            | -    | -    | 144,0 |     |  |  |
| 76              | 29,6 | 132,0   | 146,0 | -           | -    | -            | -    | -    | 143,0 |     |  |  |
| 78              | 27,6 | 131,0   | 146,0 | -           | -    | -            | -    | -    | 142,0 |     |  |  |
| 80              | 25,7 | 129,0   | 146,0 | -           | -    | -            | -    | -    | 141,0 |     |  |  |
| 82              | 23,9 | 127,0   | 146,0 | -           | -    | -            | -    | -    | 140,0 |     |  |  |
| 86              | 20,4 | 123,0   | 146,0 | -           | -    | -            | -    | -    | 138,0 |     |  |  |
| 90              | 17,3 | 117,5   | 146,0 | -           | -    | -            | -    | -    | 136,0 |     |  |  |
| 94              | 14,4 | 108,0   | 146,0 | -           | -    | -            | -    | -    | 134,0 |     |  |  |
| 98              | 11,7 | 95,7    | 137,0 | -           | -    | -            | -    | -    | 130,0 |     |  |  |
| 100             | 10,5 | 89,5    | 132,0 | -           | -    | -            | -    | -    | 129,0 |     |  |  |
| 102             | -    | -       | 127,0 | -           | -    | -            | -    | -    | 128,0 |     |  |  |
| 104             | -    | -       | 122,0 | 124,0       | -    | -            | -    | -    | 127,0 |     |  |  |
| 106             | -    | -       | 117,0 | 124,0       | -    | -            | -    | -    | 126,0 |     |  |  |
| 110             | -    | -       | 108,0 | 123,0       | -    | -            | -    | -    | 119,0 |     |  |  |
| 114             | -    | -       | 99,5  | 120,0       | -    | -            | -    | -    | 111,0 |     |  |  |
| 116             | -    | -       | 93,0  | 117,0       | -    | -            | -    | -    | 106,5 |     |  |  |
| 118             | -    | -       | -     | 114,0       | -    | -            | -    | -    | 102,0 |     |  |  |
| 122             | -    | -       | -     | 108,0       | -    | -            | -    | -    | 95,0  |     |  |  |
| 126             | -    | -       | -     | 103,0       | -    | -            | -    | -    | 87,5  |     |  |  |
| 128             | -    | -       | -     | 101,0       | 86,0 | -            | -    | -    | 84,2  |     |  |  |
| 130             | -    | -       | -     | 97,5        | 84,0 | -            | -    | -    | 81,0  |     |  |  |
| 134             | -    | -       | -     | -           | 80,0 | -            | -    | -    | 73,0  |     |  |  |
| 138             | -    | -       | -     | -           | 76,0 | -            | -    | -    | 64,0  |     |  |  |
| 142             | -    | -       | -     | -           | 73,0 | -            | -    | -    | 56,0  |     |  |  |
| 146             | -    | -       | -     | -           | -    | -            | -    | -    | 48,1  |     |  |  |
| 148             | -    | -       | -     | -           | -    | -            | -    | 46,2 | 44,2  |     |  |  |
| 150             | -    | -       | -     | -           | -    | -            | -    | 44,8 | 40,3  |     |  |  |
| 154             | -    | -       | -     | -           | -    | -            | -    | 42,0 | 33,0  |     |  |  |
| 158             | -    | -       | -     | -           | -    | -            | -    | -    | 28,7  |     |  |  |
| 162             | -    | -       | -     | -           | -    | -            | -    | -    | 23,4  |     |  |  |
| 40              | -    | 117,0*  | -     | -           | -    | -            | -    | -    | -     |     |  |  |
| 42              | -    | 117,0*  | -     | -           | -    | -            | -    | -    | -     |     |  |  |
| 46              | -    | 114,0*  | -     | -           | -    | -            | -    | -    | -     |     |  |  |
| 50              | 60,0 | 119,0   | -     | -           | -    | -            | -    | -    | 118,0 |     |  |  |
| 54              | 52,5 | 118,0   | -     | -           | -    | -            | -    | -    | 118,0 |     |  |  |
| 58              | 45,8 | 116,0   | -     | -           | -    | -            | -    | -    | 118,0 |     |  |  |
| 62              | 39,9 | 114,0   | -     | -           | -    | -            | -    | -    | 117,0 |     |  |  |
| 66              | 34,5 | 113,0   | -     | -           | -    | -            | -    | -    | 117,0 |     |  |  |
| 70              | 29,8 | 111,0   | -     | -           | -    | -            | -    | -    | 116,0 |     |  |  |
| 74              | 25,3 | 109,0   | -     | -           | -    | -            | -    | -    | 116,0 |     |  |  |
| 78              | 21,4 | 107,0   | -     | -           | -    | -            | -    | -    | 114,0 |     |  |  |
| 82              | 17,7 | 106,0   | 112,0 | -           | -    | -            | -    | -    | 112,0 |     |  |  |
| 86              | 14,4 | 104,0   | 112,0 | -           | -    | -            | -    | -    | 110,0 |     |  |  |
| 88              | 12,8 | 103,0   | 112,0 | -           | -    | -            | -    | -    | 109,0 |     |  |  |
| 90              | -    | 100,2   | 112,0 | -           | -    | -            | -    | -    | 108,0 |     |  |  |
| 94              | -    | 94,5    | 112,0 | -           | -    | -            | -    | -    | 106,0 |     |  |  |
| 98              | -    | 88,7    | 112,0 | -           | -    | -            | -    | -    | 105,0 |     |  |  |
| 102             | -    | 83,2    | 112,0 | -           | -    | -            | -    | -    | 103,0 |     |  |  |
| 106             | -    | 77,7    | 112,0 | -           | -    | -            | -    | -    | 101,0 |     |  |  |
| 110             | -    | 70,2    | 104,0 | 97,5        | -    | -            | -    | -    | 98,0  |     |  |  |
| 112             | -    | 65,5    | 100,0 | 97,5        | -    | -            | -    | -    | 97,0  |     |  |  |
| 114             | -    | -       | 96,0  | 97,5        | -    | -            | -    | -    | 96,0  |     |  |  |
| 118             | -    | -       | 89,0  | 97,5        | -    | -            | -    | -    | 94,0  |     |  |  |
| 122             | -    | -       | 82,5  | 97,5        | -    | -            | -    | -    | 92,0  |     |  |  |
| 126             | -    | -       | 74,5  | 97,0        | -    | -            | -    | -    | 86,5  |     |  |  |
| 128             | -    | -       | 69,5  | 94,5        | -    | -            | -    | -    | 83,0  |     |  |  |
| 130             | -    | -       | -     | 92,5        | -    | -            | -    | -    | 79,5  |     |  |  |
| 134             | -    | -       | -     | 85,5        | -    | -            | -    | -    | 73,0  |     |  |  |
| 136             | -    | -       | -     | 82,5        | 71,5 | -            | -    | -    | 70,0  |     |  |  |
| 138             | -    | -       | -     | 79,5        | 69,5 | -            | -    | -    | 67,0  |     |  |  |
| 142             | -    | -       | -     | 74,0        | 66,0 | -            | -    | -    | 59,0  |     |  |  |
| 146             | -    | -       | -     | -           | 62,0 | -            | -    | -    | 51,5  |     |  |  |
| 150             | -    | -       | -     | -           | 58,5 | -            | -    | -    | 44,5  |     |  |  |
| 154             | -    | -       | -     | -           | 55,5 | -            | -    | -    | 37,3  |     |  |  |
| 158             | -    | -       | -     | -           | -    | -            | -    | 31,9 | 30,4  |     |  |  |
| 162             | -    | -       | -     | -           | -    | -            | -    | 29,5 | 23,6  |     |  |  |
| 166             | -    | -       | -     | -           | -    | -            | -    | 27,3 | 18,6  |     |  |  |
| 170             | -    | -       | -     | -           | -    | -            | -    | -    | 14,7  |     |  |  |

6 m steps of luffing jib is standard · 6 m Stufung der Wippe ist Standard · Des paliers de 6 m sont de série pour la fléchette

Main boom angle 88°, 85°, 75°, 65°, 55° and 45°; capacities for intermediate boom positions are calculated by the crane control system IC-1  
 Hauptauslegerwinkel 88°, 85°, 75°, 65°, 55° und 45°; Traglasten für Zwischenstellungen des Hauptauslegers werden von der Kransteuerung IC-1 berechnet

Jarret de flèche principale 88°, 85°, 75°, 65°, 55° et 45° ; le système de commande de la grue IC-1 calcule les charges pour les positions intermédiaires de la flèche

\* Main boom angle 88° · Hauptauslegerwinkel 88° · Jarret de flèche principale 88°

| 295 t + 60 t ZB |       | 19-30 m |             | 10,5 m |       | 9.8 m/s     |      | 360° |   | ISO   |   |       |   |
|-----------------|-------|---------|-------------|--------|-------|-------------|------|------|---|-------|---|-------|---|
| 90 m + 36 m     |       |         |             |        |       | 90 m + 48 m |      |      |   |       |   |       |   |
|                 |       | SWSL    |             |        |       |             | SFSL |      |   |       |   |       |   |
|                 |       | 0 t     | 0 t - 640 t |        |       |             |      |      |   |       |   |       |   |
|                 |       | 85°     | 85°         | 75°    | 65°   | 55°         | 45°  |      |   |       |   |       |   |
| m               | t     | t       | t           | t      | t     | t           | t    | t    | t | t     | t | t     | t |
| 20              | -     | 375,0*  | -           | -      | -     | -           | -    | -    | - | -     | - | -     | - |
| 22              | -     | 364,0*  | -           | -      | -     | -           | -    | -    | - | -     | - | -     | - |
| 24              | -     | 353,0*  | -           | -      | -     | -           | -    | -    | - | -     | - | -     | - |
| 26              | 212,0 | 394,0   | -           | -      | -     | -           | -    | -    | - | -     | - | 381,0 | - |
| 28              | 197,0 | 385,0   | -           | -      | -     | -           | -    | -    | - | -     | - | 381,0 | - |
| 30              | 184,0 | 376,0   | -           | -      | -     | -           | -    | -    | - | -     | - | 381,0 | - |
| 34              | 162,0 | 358,0   | -           | -      | -     | -           | -    | -    | - | -     | - | 381,0 | - |
| 38              | 144,0 | 341,0   | -           | -      | -     | -           | -    | -    | - | -     | - | 381,0 | - |
| 42              | 129,0 | 328,0   | -           | -      | -     | -           | -    | -    | - | -     | - | 381,0 | - |
| 44              | 122,0 | 321,0   | -           | -      | -     | -           | -    | -    | - | -     | - | 377,0 | - |
| 46              | -     | -       | -           | -      | -     | -           | -    | -    | - | -     | - | 370,0 | - |
| 47              | -     | -       | 393,0       | -      | -     | -           | -    | -    | - | -     | - | 367,0 | - |
| 50              | -     | -       | 389,0       | -      | -     | -           | -    | -    | - | -     | - | 352,0 | - |
| 54              | -     | -       | 374,0       | -      | -     | -           | -    | -    | - | -     | - | 340,0 | - |
| 58              | -     | -       | 349,0       | -      | -     | -           | -    | -    | - | -     | - | 328,0 | - |
| 60              | -     | -       | 334,0       | -      | -     | -           | -    | -    | - | -     | - | 312,5 | - |
| 62              | -     | -       | -           | -      | -     | -           | -    | -    | - | -     | - | 297,0 | - |
| 66              | -     | -       | -           | -      | -     | -           | -    | -    | - | -     | - | 271,0 | - |
| 67              | -     | -       | -           | 268,0  | -     | -           | -    | -    | - | -     | - | 265,0 | - |
| 70              | -     | -       | -           | 255,0  | -     | -           | -    | -    | - | -     | - | 247,0 | - |
| 74              | -     | -       | -           | 239,0  | -     | -           | -    | -    | - | -     | - | 227,0 | - |
| 76              | -     | -       | -           | 232,0  | -     | -           | -    | -    | - | -     | - | 217,5 | - |
| 78              | -     | -       | -           | -      | -     | -           | -    | -    | - | -     | - | 208,0 | - |
| 82              | -     | -       | -           | -      | -     | -           | -    | -    | - | -     | - | 191,0 | - |
| 84              | -     | -       | -           | -      | 185,0 | -           | -    | -    | - | -     | - | 183,5 | - |
| 86              | -     | -       | -           | -      | 180,0 | -           | -    | -    | - | -     | - | 176,0 | - |
| 89              | -     | -       | -           | -      | 173,0 | -           | -    | -    | - | -     | - | 165,5 | - |
| 90              | -     | -       | -           | -      | -     | -           | -    | -    | - | -     | - | 162,0 | - |
| 94              | -     | -       | -           | -      | -     | -           | -    | -    | - | -     | - | 150,0 | - |
| 98              | -     | -       | -           | -      | -     | -           | -    | -    | - | -     | - | 136,0 | - |
| 102             | -     | -       | -           | -      | -     | -           | -    | -    | - | -     | - | 121,0 | - |
| 106             | -     | -       | -           | -      | -     | -           | -    | -    | - | -     | - | 106,0 | - |
| 110             | -     | -       | -           | -      | -     | -           | -    | -    | - | -     | - | 91,0  | - |
| 24              | -     | 303,0*  | -           | -      | -     | -           | -    | -    | - | -     | - | -     | - |
| 26              | -     | 295,0*  | -           | -      | -     | -           | -    | -    | - | -     | - | -     | - |
| 28              | -     | 288,0*  | -           | -      | -     | -           | -    | -    | - | -     | - | -     | - |
| 30              | 171,0 | 316,0   | -           | -      | -     | -           | -    | -    | - | -     | - | 309,0 | - |
| 34              | 150,0 | 307,0   | -           | -      | -     | -           | -    | -    | - | -     | - | 309,0 | - |
| 38              | 133,0 | 296,0   | -           | -      | -     | -           | -    | -    | - | -     | - | 309,0 | - |
| 42              | 119,0 | 284,0   | -           | -      | -     | -           | -    | -    | - | -     | - | 309,0 | - |
| 46              | 107,0 | 272,0   | -           | -      | -     | -           | -    | -    | - | -     | - | 309,0 | - |
| 50              | 96,5  | 263,0   | -           | -      | -     | -           | -    | -    | - | -     | - | 304,0 | - |
| 54              | 87,5  | 254,0   | 321,0       | -      | -     | -           | -    | -    | - | -     | - | 296,0 | - |
| 56              | 83,0  | 249,0   | 317,0       | -      | -     | -           | -    | -    | - | -     | - | 291,0 | - |
| 58              | -     | -       | 313,0       | -      | -     | -           | -    | -    | - | -     | - | 286,0 | - |
| 62              | -     | -       | 303,0       | -      | -     | -           | -    | -    | - | -     | - | 274,0 | - |
| 66              | -     | -       | 293,0       | -      | -     | -           | -    | -    | - | -     | - | 265,0 | - |
| 70              | -     | -       | 263,0       | -      | -     | -           | -    | -    | - | -     | - | 251,0 | - |
| 72              | -     | -       | 249,0       | -      | -     | -           | -    | -    | - | -     | - | 240,5 | - |
| 74              | -     | -       | -           | 232,0  | -     | -           | -    | -    | - | -     | - | 230,0 | - |
| 78              | -     | -       | -           | 218,0  | -     | -           | -    | -    | - | -     | - | 211,0 | - |
| 82              | -     | -       | -           | 205,0  | -     | -           | -    | -    | - | -     | - | 194,0 | - |
| 86              | -     | -       | -           | 194,0  | -     | -           | -    | -    | - | -     | - | 179,0 | - |
| 90              | -     | -       | -           | -      | -     | -           | -    | -    | - | -     | - | 165,0 | - |
| 94              | -     | -       | -           | -      | -     | 155,0       | -    | -    | - | -     | - | 152,0 | - |
| 98              | -     | -       | -           | -      | -     | 147,0       | -    | -    | - | -     | - | 141,0 | - |
| 100             | -     | -       | -           | -      | -     | 143,0       | -    | -    | - | -     | - | 135,5 | - |
| 102             | -     | -       | -           | -      | -     | -           | -    | -    | - | -     | - | 130,0 | - |
| 106             | -     | -       | -           | -      | -     | -           | -    | -    | - | -     | - | 119,0 | - |
| 110             | -     | -       | -           | -      | -     | -           | -    | -    | - | 108,0 | - | 106,0 | - |
| 113             | -     | -       | -           | -      | -     | -           | -    | -    | - | 104,0 | - | 96,2  | - |
| 114             | -     | -       | -           | -      | -     | -           | -    | -    | - | -     | - | 93,0  | - |
| 118             | -     | -       | -           | -      | -     | -           | -    | -    | - | -     | - | 80,5  | - |
| 122             | -     | -       | -           | -      | -     | -           | -    | -    | - | -     | - | 68,0  | - |

6 m steps of luffing jib is standard · 6 m Stufung der Wippe ist Standard · Des paliers de 6 m sont de série pour la fléchette

Main boom angle 88°, 85°, 75°, 65°, 55° and 45°; capacities for intermediate boom positions are calculated by the crane control system IC-1  
 Hauptauslegerwinkel 88°, 85°, 75°, 65°, 55° und 45°; Traglasten für Zwischenstellungen des Hauptauslegers werden von der Kransteuerung IC-1 berechnet

Jarret de flèche principale 88°, 85°, 75°, 65°, 55° et 45° ; le système de commande de la grue IC-1 calcule les charges pour les positions intermédiaires de la flèche

\* Main boom angle 88° · Hauptauslegerwinkel 88° · Jarret de flèche principale 88°

| 295 t + 60 t ZB |       | 19-30 m |       | 10,5 m      |       | 9.8 m/s     |      | 360° |       | ISO  |       |      |   |
|-----------------|-------|---------|-------|-------------|-------|-------------|------|------|-------|------|-------|------|---|
| 90 m + 60 m     |       |         |       |             |       | 90 m + 72 m |      |      |       |      |       |      |   |
|                 |       | SWSL    |       |             |       |             | SFSL |      |       |      |       |      |   |
|                 |       | 0 t     |       | 0 t - 640 t |       |             |      |      |       |      |       |      |   |
|                 |       | 85°     |       | 85°         |       | 75°         |      | 65°  |       | 55°  |       | 45°  |   |
|                 |       | m       |       | t           |       | t           |      | t    |       | t    |       | t    |   |
| 26              | -     | 249,0*  | -     | -           | -     | -           | -    | -    | -     | -    | -     | -    | - |
| 28              | -     | 247,0*  | -     | -           | -     | -           | -    | -    | -     | -    | -     | -    | - |
| 30              | -     | 242,0*  | -     | -           | -     | -           | -    | -    | -     | -    | -     | -    | - |
| 34              | 140,0 | 259,0   | -     | -           | -     | -           | -    | -    | -     | -    | 252,0 | -    | - |
| 38              | 123,0 | 253,0   | -     | -           | -     | -           | -    | -    | -     | -    | 252,0 | -    | - |
| 42              | 110,0 | 245,0   | -     | -           | -     | -           | -    | -    | -     | -    | 252,0 | -    | - |
| 46              | 98,5  | 237,0   | -     | -           | -     | -           | -    | -    | -     | -    | 252,0 | -    | - |
| 50              | 89,0  | 229,0   | -     | -           | -     | -           | -    | -    | -     | -    | 252,0 | -    | - |
| 54              | 80,0  | 221,0   | -     | -           | -     | -           | -    | -    | -     | -    | 251,0 | -    | - |
| 58              | 72,5  | 215,0   | -     | -           | -     | -           | -    | -    | -     | -    | 245,0 | -    | - |
| 60              | 69,0  | 211,0   | 262,0 | -           | -     | -           | -    | -    | -     | -    | 242,0 | -    | - |
| 62              | 66,0  | 208,0   | 262,0 | -           | -     | -           | -    | -    | -     | -    | 239,0 | -    | - |
| 66              | 60,0  | 201,0   | 255,0 | -           | -     | -           | -    | -    | -     | -    | 233,0 | -    | - |
| 68              | 57,5  | 187,0   | 252,0 | -           | -     | -           | -    | -    | -     | -    | 227,0 | -    | - |
| 70              | -     | -       | 249,0 | -           | -     | -           | -    | -    | -     | -    | 224,0 | -    | - |
| 74              | -     | -       | 243,0 | -           | -     | -           | -    | -    | -     | -    | 218,0 | -    | - |
| 78              | -     | -       | 225,0 | -           | -     | -           | -    | -    | -     | -    | 211,0 | -    | - |
| 82              | -     | -       | 204,0 | 203,0       | -     | -           | -    | -    | -     | -    | 200,0 | -    | - |
| 84              | -     | -       | 195,0 | 197,0       | -     | -           | -    | -    | -     | -    | 192,5 | -    | - |
| 86              | -     | -       | -     | 191,0       | -     | -           | -    | -    | -     | -    | 185,0 | -    | - |
| 90              | -     | -       | -     | 181,0       | -     | -           | -    | -    | -     | -    | 171,0 | -    | - |
| 94              | -     | -       | -     | 171,0       | -     | -           | -    | -    | -     | -    | 158,0 | -    | - |
| 98              | -     | -       | -     | 163,0       | -     | -           | -    | -    | -     | -    | 146,0 | -    | - |
| 102             | -     | -       | -     | -           | -     | -           | -    | -    | -     | -    | 135,0 | -    | - |
| 104             | -     | -       | -     | -           | 133,0 | -           | -    | -    | -     | -    | 130,0 | -    | - |
| 106             | -     | -       | -     | -           | 129,0 | -           | -    | -    | -     | -    | 125,0 | -    | - |
| 110             | -     | -       | -     | -           | 123,0 | -           | -    | -    | -     | -    | 116,0 | -    | - |
| 112             | -     | -       | -     | -           | 120,0 | -           | -    | -    | -     | -    | 111,5 | -    | - |
| 114             | -     | -       | -     | -           | -     | -           | -    | -    | -     | -    | 107,0 | -    | - |
| 118             | -     | -       | -     | -           | -     | -           | -    | -    | -     | -    | 95,5  | -    | - |
| 120             | -     | -       | -     | -           | -     | -           | -    | -    | -     | 91,0 | 89,7  | -    | - |
| 122             | -     | -       | -     | -           | -     | -           | -    | -    | -     | 88,5 | 84,0  | -    | - |
| 124             | -     | -       | -     | -           | -     | -           | -    | -    | -     | 86,0 | 78,5  | -    | - |
| 126             | -     | -       | -     | -           | -     | -           | -    | -    | -     | -    | 73,0  | -    | - |
| 130             | -     | -       | -     | -           | -     | -           | -    | -    | -     | -    | 62,5  | -    | - |
| 134             | -     | -       | -     | -           | -     | -           | -    | -    | -     | -    | 52,5  | -    | - |
| 30              | -     | 203,0*  | -     | -           | -     | -           | -    | -    | -     | -    | -     | -    | - |
| 34              | -     | 198,0*  | -     | -           | -     | -           | -    | -    | -     | -    | -     | -    | - |
| 38              | 114,0 | 211,0   | -     | -           | -     | -           | -    | -    | -     | -    | 206,0 | -    | - |
| 42              | 101,0 | 207,0   | -     | -           | -     | -           | -    | -    | -     | -    | 206,0 | -    | - |
| 46              | 90,5  | 202,0   | -     | -           | -     | -           | -    | -    | -     | -    | 206,0 | -    | - |
| 50              | 81,0  | 197,0   | -     | -           | -     | -           | -    | -    | -     | -    | 206,0 | -    | - |
| 54              | 73,0  | 192,0   | -     | -           | -     | -           | -    | -    | -     | -    | 206,0 | -    | - |
| 58              | 65,5  | 187,0   | -     | -           | -     | -           | -    | -    | -     | -    | 206,0 | -    | - |
| 62              | 59,0  | 181,0   | -     | -           | -     | -           | -    | -    | -     | -    | 203,0 | -    | - |
| 66              | 53,5  | 176,0   | 212,0 | -           | -     | -           | -    | -    | -     | -    | 199,0 | -    | - |
| 70              | 48,5  | 170,0   | 212,0 | -           | -     | -           | -    | -    | -     | -    | 195,0 | -    | - |
| 74              | 43,9  | 164,0   | 211,0 | -           | -     | -           | -    | -    | -     | -    | 191,0 | -    | - |
| 78              | 39,7  | 150,0   | 204,0 | -           | -     | -           | -    | -    | -     | -    | 186,0 | -    | - |
| 80              | 37,8  | 138,0   | 203,0 | -           | -     | -           | -    | -    | -     | -    | 183,0 | -    | - |
| 82              | -     | -       | 202,0 | -           | -     | -           | -    | -    | -     | -    | 181,0 | -    | - |
| 86              | -     | -       | 191,0 | -           | -     | -           | -    | -    | -     | -    | 177,0 | -    | - |
| 90              | -     | -       | 175,0 | 175,0       | -     | -           | -    | -    | -     | -    | 173,0 | -    | - |
| 94              | -     | -       | 159,0 | 166,0       | -     | -           | -    | -    | -     | -    | 160,0 | -    | - |
| 98              | -     | -       | -     | 157,0       | -     | -           | -    | -    | -     | -    | 148,0 | -    | - |
| 102             | -     | -       | -     | 149,0       | -     | -           | -    | -    | -     | -    | 137,0 | -    | - |
| 106             | -     | -       | -     | 142,0       | -     | -           | -    | -    | -     | -    | 127,0 | -    | - |
| 110             | -     | -       | -     | 135,0       | -     | -           | -    | -    | -     | -    | 117,0 | -    | - |
| 112             | -     | -       | -     | -           | -     | -           | -    | -    | 114,0 | -    | 113,0 | -    | - |
| 114             | -     | -       | -     | -           | -     | -           | -    | -    | 112,0 | -    | 109,0 | -    | - |
| 118             | -     | -       | -     | -           | -     | -           | -    | -    | 106,0 | -    | 100,0 | -    | - |
| 122             | -     | -       | -     | -           | -     | -           | -    | -    | 102,0 | -    | 93,0  | -    | - |
| 124             | -     | -       | -     | -           | -     | -           | -    | -    | 99,5  | -    | 88,0  | -    | - |
| 126             | -     | -       | -     | -           | -     | -           | -    | -    | -     | -    | 83,0  | -    | - |
| 130             | -     | -       | -     | -           | -     | -           | -    | -    | -     | -    | 73,0  | -    | - |
| 132             | -     | -       | -     | -           | -     | -           | -    | -    | -     | -    | 71,5  | 68,2 | - |
| 134             | -     | -       | -     | -           | -     | -           | -    | -    | -     | -    | 69,5  | 63,5 | - |
| 136             | -     | -       | -     | -           | -     | -           | -    | -    | -     | -    | 67,5  | 58,7 | - |
| 138             | -     | -       | -     | -           | -     | -           | -    | -    | -     | -    | -     | 54,0 | - |
| 142             | -     | -       | -     | -           | -     | -           | -    | -    | -     | -    | -     | 44,8 | - |
| 146             | -     | -       | -     | -           | -     | -           | -    | -    | -     | -    | -     | 40,7 | - |

6 m steps of luffing jib is standard · 6 m Stufung der Wippe ist Standard · Des paliers de 6 m sont de série pour la fléchette

Main boom angle 88°, 85°, 75°, 65°, 55° and 45°; capacities for intermediate boom positions are calculated by the crane control system IC-1  
Hauptauslegerwinkel 88°, 85°, 75°, 65°, 55° und 45°; Traglasten für Zwischenstellungen des Hauptauslegers werden von der Kransteuerung IC-1 berechnet

Jarret de flèche principale 88°, 85°, 75°, 65°, 55° et 45° ; le système de commande de la grue IC-1 calcule les charges pour les positions intermédiaires de la flèche

\* Main boom angle 88° · Hauptauslegerwinkel 88° · Jarret de flèche principale 88°

| 295 t + 60 t ZB |      | 19-30 m |       | 10,5 m      |      | 9.8 m/s     |   | 360° |   | ISO  |      |       |   |
|-----------------|------|---------|-------|-------------|------|-------------|---|------|---|------|------|-------|---|
| 90 m + 84 m     |      |         |       |             |      | 90 m + 96 m |   |      |   |      |      |       |   |
|                 |      | SWSL    |       |             |      |             |   | SFSL |   |      |      |       |   |
|                 |      | 0 t     |       | 0 t - 640 t |      |             |   |      |   |      |      |       |   |
|                 |      | 85°     |       | 85°         |      | 75°         |   | 65°  |   | 55°  |      | 45°   |   |
|                 |      | m       |       | t           |      | t           |   | t    |   | t    |      | t     |   |
| 34              | -    | 166,0*  | -     | -           | -    | -           | - | -    | - | -    | -    | -     | - |
| 38              | -    | 161,0*  | -     | -           | -    | -           | - | -    | - | -    | -    | -     | - |
| 42              | 90,5 | 171,0   | -     | -           | -    | -           | - | -    | - | -    | -    | 168,0 | - |
| 46              | 80,0 | 169,0   | -     | -           | -    | -           | - | -    | - | -    | -    | 168,0 | - |
| 50              | 71,0 | 165,0   | -     | -           | -    | -           | - | -    | - | -    | -    | 168,0 | - |
| 54              | 63,0 | 162,0   | -     | -           | -    | -           | - | -    | - | -    | -    | 168,0 | - |
| 58              | 56,0 | 158,0   | -     | -           | -    | -           | - | -    | - | -    | -    | 168,0 | - |
| 62              | 50,0 | 155,0   | -     | -           | -    | -           | - | -    | - | -    | -    | 168,0 | - |
| 66              | 44,7 | 151,0   | -     | -           | -    | -           | - | -    | - | -    | -    | 167,0 | - |
| 70              | 39,8 | 148,0   | -     | -           | -    | -           | - | -    | - | -    | -    | 164,0 | - |
| 72              | 37,5 | 146,0   | 170,0 | -           | -    | -           | - | -    | - | -    | -    | 162,5 | - |
| 74              | 35,3 | 143,0   | 170,0 | -           | -    | -           | - | -    | - | -    | -    | 161,0 | - |
| 78              | 31,2 | 139,0   | 170,0 | -           | -    | -           | - | -    | - | -    | -    | 159,0 | - |
| 82              | 27,5 | 134,5   | 169,0 | -           | -    | -           | - | -    | - | -    | -    | 156,0 | - |
| 84              | 25,8 | 132,0   | 169,0 | -           | -    | -           | - | -    | - | -    | -    | 155,0 | - |
| 86              | 24,1 | 125,5   | 168,0 | -           | -    | -           | - | -    | - | -    | -    | 154,0 | - |
| 88              | 22,5 | 119,0   | 166,0 | -           | -    | -           | - | -    | - | -    | -    | 150,0 | - |
| 90              | -    | -       | 164,0 | -           | -    | -           | - | -    | - | -    | -    | 149,0 | - |
| 94              | -    | -       | 155,0 | -           | -    | -           | - | -    | - | -    | -    | 146,0 | - |
| 98              | -    | -       | 143,0 | 148,0       | -    | -           | - | -    | - | -    | -    | 143,0 | - |
| 102             | -    | -       | 132,0 | 140,0       | -    | -           | - | -    | - | -    | -    | 134,0 | - |
| 106             | -    | -       | 119,0 | 133,0       | -    | -           | - | -    | - | -    | -    | 124,0 | - |
| 110             | -    | -       | -     | 126,0       | -    | -           | - | -    | - | -    | -    | 115,0 | - |
| 114             | -    | -       | -     | 120,0       | -    | -           | - | -    | - | -    | -    | 106,0 | - |
| 118             | -    | -       | -     | 114,0       | -    | -           | - | -    | - | -    | -    | 98,0  | - |
| 120             | -    | -       | -     | 111,0       | -    | -           | - | -    | - | -    | -    | 94,0  | - |
| 122             | -    | -       | -     | -           | 92,0 | -           | - | -    | - | -    | -    | 90,0  | - |
| 126             | -    | -       | -     | -           | 87,5 | -           | - | -    | - | -    | -    | 83,0  | - |
| 130             | -    | -       | -     | -           | 83,5 | -           | - | -    | - | -    | -    | 75,5  | - |
| 134             | -    | -       | -     | -           | 80,0 | -           | - | -    | - | -    | -    | 66,5  | - |
| 138             | -    | -       | -     | -           | -    | -           | - | -    | - | -    | -    | 58,0  | - |
| 142             | -    | -       | -     | -           | -    | -           | - | -    | - | 52,0 | -    | 49,8  | - |
| 146             | -    | -       | -     | -           | -    | -           | - | -    | - | 49,4 | -    | 41,6  | - |
| 150             | -    | -       | -     | -           | -    | -           | - | -    | - | -    | -    | 33,5  | - |
| 154             | -    | -       | -     | -           | -    | -           | - | -    | - | -    | -    | 28,7  | - |
| 158             | -    | -       | -     | -           | -    | -           | - | -    | - | -    | -    | 23,7  | - |
| 38              | -    | 135,0*  | -     | -           | -    | -           | - | -    | - | -    | -    | -     | - |
| 42              | -    | 132,0*  | -     | -           | -    | -           | - | -    | - | -    | -    | -     | - |
| 46              | 72,0 | 137,0   | -     | -           | -    | -           | - | -    | - | -    | -    | 136,0 | - |
| 50              | 63,5 | 136,0   | -     | -           | -    | -           | - | -    | - | -    | -    | 136,0 | - |
| 54              | 56,0 | 134,0   | -     | -           | -    | -           | - | -    | - | -    | -    | 136,0 | - |
| 58              | 49,2 | 131,0   | -     | -           | -    | -           | - | -    | - | -    | -    | 136,0 | - |
| 62              | 43,3 | 129,0   | -     | -           | -    | -           | - | -    | - | -    | -    | 136,0 | - |
| 66              | 38,0 | 126,0   | -     | -           | -    | -           | - | -    | - | -    | -    | 136,0 | - |
| 70              | 33,1 | 124,0   | -     | -           | -    | -           | - | -    | - | -    | -    | 136,0 | - |
| 74              | 28,8 | 121,0   | -     | -           | -    | -           | - | -    | - | -    | -    | 133,0 | - |
| 78              | 24,9 | 119,0   | 133,0 | -           | -    | -           | - | -    | - | -    | -    | 131,0 | - |
| 82              | 21,3 | 116,0   | 133,0 | -           | -    | -           | - | -    | - | -    | -    | 128,0 | - |
| 86              | 18,0 | 112,0   | 133,0 | -           | -    | -           | - | -    | - | -    | -    | 126,0 | - |
| 90              | 14,9 | 108,5   | 133,0 | -           | -    | -           | - | -    | - | -    | -    | 123,0 | - |
| 94              | 12,1 | 105,0   | 132,0 | -           | -    | -           | - | -    | - | -    | -    | 120,0 | - |
| 96              | 10,8 | 103,0   | 132,0 | -           | -    | -           | - | -    | - | -    | -    | 119,0 | - |
| 98              | -    | 97,2    | 132,0 | -           | -    | -           | - | -    | - | -    | -    | 118,0 | - |
| 100             | -    | 91,5    | 131,0 | -           | -    | -           | - | -    | - | -    | -    | 115,5 | - |
| 102             | -    | -       | 130,0 | -           | -    | -           | - | -    | - | -    | -    | 114,0 | - |
| 106             | -    | -       | 120,0 | 115,0       | -    | -           | - | -    | - | -    | -    | 111,0 | - |
| 110             | -    | -       | 111,0 | 115,0       | -    | -           | - | -    | - | -    | -    | 109,0 | - |
| 114             | -    | -       | 103,0 | 114,0       | -    | -           | - | -    | - | -    | -    | 106,0 | - |
| 118             | -    | -       | 92,0  | 109,0       | -    | -           | - | -    | - | -    | -    | 99,0  | - |
| 122             | -    | -       | -     | 104,0       | -    | -           | - | -    | - | -    | -    | 91,0  | - |
| 126             | -    | -       | -     | 99,0        | -    | -           | - | -    | - | -    | -    | 84,0  | - |
| 130             | -    | -       | -     | 94,5        | 78,0 | -           | - | -    | - | -    | -    | 77,0  | - |
| 132             | -    | -       | -     | 92,5        | 76,0 | -           | - | -    | - | -    | -    | 74,0  | - |
| 134             | -    | -       | -     | -           | 74,5 | -           | - | -    | - | -    | -    | 71,0  | - |
| 138             | -    | -       | -     | -           | 70,5 | -           | - | -    | - | -    | -    | 64,0  | - |
| 142             | -    | -       | -     | -           | 67,5 | -           | - | -    | - | -    | -    | 56,0  | - |
| 146             | -    | -       | -     | -           | 64,5 | -           | - | -    | - | -    | -    | 48,4  | - |
| 150             | -    | -       | -     | -           | -    | -           | - | -    | - | -    | -    | 40,8  | - |
| 152             | -    | -       | -     | -           | -    | -           | - | -    | - | -    | 39,0 | 37,1  | - |
| 154             | -    | -       | -     | -           | -    | -           | - | -    | - | -    | 37,7 | 33,5  | - |
| 158             | -    | -       | -     | -           | -    | -           | - | -    | - | -    | 35,2 | 26,2  | - |
| 162             | -    | -       | -     | -           | -    | -           | - | -    | - | -    | -    | 20,0  | - |
| 166             | -    | -       | -     | -           | -    | -           | - | -    | - | -    | -    | 15,9  | - |
| 170             | -    | -       | -     | -           | -    | -           | - | -    | - | -    | -    | 10,6  | - |

6 m steps of luffing jib is standard · 6 m Stufung der Wippe ist Standard · Des paliers de 6 m sont de série pour la fléchette

Main boom angle 88°, 85°, 75°, 65°, 55° and 45°; capacities for intermediate boom positions are calculated by the crane control system IC-1  
Hauptauslegerwinkel 88°, 85°, 75°, 65°, 55° und 45°; Traglasten für Zwischenstellungen des Hauptauslegers werden von der Kransteuerung IC-1 berechnet

Jarret de flèche principale 88°, 85°, 75°, 65°, 55° et 45° ; le système de commande de la grue IC-1 calcule les charges pour les positions intermédiaires de la flèche

\* Main boom angle 88° · Hauptauslegerwinkel 88° · Jarret de flèche principale 88°

| 295 t + 60 t ZB  |      | 19-30 m |       | 10,5 m |      | 9.8 m/s     |   | 360° |   | ISO   |             |      |  |  |  |  |  |  |  |  |  |  |      |     |  |  |  |  |  |  |  |  |  |  |             |  |     |     |     |     |     |     |  |  |  |  |  |   |   |   |   |   |   |   |   |   |   |   |   |    |   |        |   |   |   |   |   |   |   |   |   |    |   |        |   |   |   |   |   |   |   |   |   |    |   |        |   |   |   |   |   |   |   |   |   |    |      |       |   |   |   |   |   |   |   |       |   |    |      |       |   |   |   |   |   |   |   |       |   |    |      |       |   |   |   |   |   |   |   |       |   |    |      |       |   |   |   |   |   |   |   |       |   |    |      |       |   |   |   |   |   |   |   |       |   |    |      |       |   |   |   |   |   |   |   |       |   |    |      |       |   |   |   |   |   |   |   |       |   |    |      |      |   |   |   |   |   |   |   |       |   |    |      |      |   |   |   |   |   |   |   |       |   |    |      |      |       |   |   |   |   |   |   |       |   |    |      |      |       |   |   |   |   |   |   |       |   |    |      |      |       |   |   |   |   |   |   |       |   |    |   |      |       |   |   |   |   |   |   |       |   |    |   |      |       |   |   |   |   |   |   |      |   |    |   |      |       |   |   |   |   |   |   |      |   |     |   |      |       |   |   |   |   |   |   |      |   |     |   |      |       |   |   |   |   |   |   |      |   |     |   |      |       |   |   |   |   |   |   |      |   |     |   |      |       |   |   |   |   |   |   |      |   |     |   |   |      |      |   |   |   |   |   |      |   |     |   |   |      |      |   |   |   |   |   |      |   |     |   |   |      |      |   |   |   |   |   |      |   |     |   |   |      |      |   |   |   |   |   |      |   |     |   |   |      |      |   |   |   |   |   |      |   |     |   |   |   |      |   |   |   |   |   |      |   |     |   |   |   |      |   |   |   |   |   |      |   |     |   |   |   |      |   |   |   |   |   |      |   |     |   |   |   |      |      |   |   |   |   |      |   |     |   |   |   |      |      |   |   |   |   |      |   |     |   |   |   |      |      |   |   |   |   |      |   |     |   |   |   |   |      |   |   |   |   |      |   |     |   |   |   |   |      |   |   |   |   |      |   |     |   |   |   |   |      |   |   |   |   |      |   |     |   |   |   |   |      |   |   |   |   |      |   |     |   |   |   |   |   |      |   |   |   |      |   |     |   |   |   |   |   |      |   |   |   |      |   |     |   |   |   |   |   |      |   |   |   |      |   |
|--|------|---------|-------|--------|------|-------------|---|------|---|-------|-------------|------|--|--|--|--|--|--|--|--|--|--|------|-----|--|--|--|--|--|--|--|--|--|--|-------------|--|-----|-----|-----|-----|-----|-----|--|--|--|--|--|---|---|---|---|---|---|---|---|---|---|---|---|----|---|--------|---|---|---|---|---|---|---|---|---|----|---|--------|---|---|---|---|---|---|---|---|---|----|---|--------|---|---|---|---|---|---|---|---|---|----|------|-------|---|---|---|---|---|---|---|-------|---|----|------|-------|---|---|---|---|---|---|---|-------|---|----|------|-------|---|---|---|---|---|---|---|-------|---|----|------|-------|---|---|---|---|---|---|---|-------|---|----|------|-------|---|---|---|---|---|---|---|-------|---|----|------|-------|---|---|---|---|---|---|---|-------|---|----|------|-------|---|---|---|---|---|---|---|-------|---|----|------|------|---|---|---|---|---|---|---|-------|---|----|------|------|---|---|---|---|---|---|---|-------|---|----|------|------|-------|---|---|---|---|---|---|-------|---|----|------|------|-------|---|---|---|---|---|---|-------|---|----|------|------|-------|---|---|---|---|---|---|-------|---|----|---|------|-------|---|---|---|---|---|---|-------|---|----|---|------|-------|---|---|---|---|---|---|------|---|----|---|------|-------|---|---|---|---|---|---|------|---|-----|---|------|-------|---|---|---|---|---|---|------|---|-----|---|------|-------|---|---|---|---|---|---|------|---|-----|---|------|-------|---|---|---|---|---|---|------|---|-----|---|------|-------|---|---|---|---|---|---|------|---|-----|---|---|------|------|---|---|---|---|---|------|---|-----|---|---|------|------|---|---|---|---|---|------|---|-----|---|---|------|------|---|---|---|---|---|------|---|-----|---|---|------|------|---|---|---|---|---|------|---|-----|---|---|------|------|---|---|---|---|---|------|---|-----|---|---|---|------|---|---|---|---|---|------|---|-----|---|---|---|------|---|---|---|---|---|------|---|-----|---|---|---|------|---|---|---|---|---|------|---|-----|---|---|---|------|------|---|---|---|---|------|---|-----|---|---|---|------|------|---|---|---|---|------|---|-----|---|---|---|------|------|---|---|---|---|------|---|-----|---|---|---|---|------|---|---|---|---|------|---|-----|---|---|---|---|------|---|---|---|---|------|---|-----|---|---|---|---|------|---|---|---|---|------|---|-----|---|---|---|---|------|---|---|---|---|------|---|-----|---|---|---|---|---|------|---|---|---|------|---|-----|---|---|---|---|---|------|---|---|---|------|---|-----|---|---|---|---|---|------|---|---|---|------|---|
| 90 m + 108 m   |      |         |       |        |      | 96 m + 36 m |   |      |   |       |             |      |  |  |  |  |  |  |  |  |  |  |      |     |  |  |  |  |  |  |  |  |  |  |             |  |     |     |     |     |     |     |  |  |  |  |  |   |   |   |   |   |   |   |   |   |   |   |   |    |   |        |   |   |   |   |   |   |   |   |   |    |   |        |   |   |   |   |   |   |   |   |   |    |   |        |   |   |   |   |   |   |   |   |   |    |      |       |   |   |   |   |   |   |   |       |   |    |      |       |   |   |   |   |   |   |   |       |   |    |      |       |   |   |   |   |   |   |   |       |   |    |      |       |   |   |   |   |   |   |   |       |   |    |      |       |   |   |   |   |   |   |   |       |   |    |      |       |   |   |   |   |   |   |   |       |   |    |      |       |   |   |   |   |   |   |   |       |   |    |      |      |   |   |   |   |   |   |   |       |   |    |      |      |   |   |   |   |   |   |   |       |   |    |      |      |       |   |   |   |   |   |   |       |   |    |      |      |       |   |   |   |   |   |   |       |   |    |      |      |       |   |   |   |   |   |   |       |   |    |   |      |       |   |   |   |   |   |   |       |   |    |   |      |       |   |   |   |   |   |   |      |   |    |   |      |       |   |   |   |   |   |   |      |   |     |   |      |       |   |   |   |   |   |   |      |   |     |   |      |       |   |   |   |   |   |   |      |   |     |   |      |       |   |   |   |   |   |   |      |   |     |   |      |       |   |   |   |   |   |   |      |   |     |   |   |      |      |   |   |   |   |   |      |   |     |   |   |      |      |   |   |   |   |   |      |   |     |   |   |      |      |   |   |   |   |   |      |   |     |   |   |      |      |   |   |   |   |   |      |   |     |   |   |      |      |   |   |   |   |   |      |   |     |   |   |   |      |   |   |   |   |   |      |   |     |   |   |   |      |   |   |   |   |   |      |   |     |   |   |   |      |   |   |   |   |   |      |   |     |   |   |   |      |      |   |   |   |   |      |   |     |   |   |   |      |      |   |   |   |   |      |   |     |   |   |   |      |      |   |   |   |   |      |   |     |   |   |   |   |      |   |   |   |   |      |   |     |   |   |   |   |      |   |   |   |   |      |   |     |   |   |   |   |      |   |   |   |   |      |   |     |   |   |   |   |      |   |   |   |   |      |   |     |   |   |   |   |   |      |   |   |   |      |   |     |   |   |   |   |   |      |   |   |   |      |   |     |   |   |   |   |   |      |   |   |   |      |   |
| <table border="1"> <thead> <tr> <th colspan="11">SWSL</th> <th>SFSL</th> </tr> <tr> <th colspan="11">0 t</th> <th>0 t - 640 t</th> </tr> <tr> <th></th> <th>85°</th> <th>85°</th> <th>75°</th> <th>65°</th> <th>55°</th> <th>45°</th> <th></th> <th></th> <th></th> <th></th> <th></th> </tr> <tr> <th>m</th> <th>t</th> <th>t</th> <th>t</th> <th>t</th> <th>t</th> <th>t</th> <th>t</th> <th>t</th> <th>t</th> <th>t</th> <th>t</th> </tr> </thead> <tbody> <tr><td>40</td><td>-</td><td>108,0*</td><td>-</td><td>-</td><td>-</td><td>-</td><td>-</td><td>-</td><td>-</td><td>-</td><td>-</td></tr> <tr><td>42</td><td>-</td><td>108,0*</td><td>-</td><td>-</td><td>-</td><td>-</td><td>-</td><td>-</td><td>-</td><td>-</td><td>-</td></tr> <tr><td>46</td><td>-</td><td>106,0*</td><td>-</td><td>-</td><td>-</td><td>-</td><td>-</td><td>-</td><td>-</td><td>-</td><td>-</td></tr> <tr><td>50</td><td>56,0</td><td>110,0</td><td>-</td><td>-</td><td>-</td><td>-</td><td>-</td><td>-</td><td>-</td><td>109,0</td><td>-</td></tr> <tr><td>54</td><td>48,6</td><td>109,0</td><td>-</td><td>-</td><td>-</td><td>-</td><td>-</td><td>-</td><td>-</td><td>109,0</td><td>-</td></tr> <tr><td>58</td><td>42,2</td><td>107,0</td><td>-</td><td>-</td><td>-</td><td>-</td><td>-</td><td>-</td><td>-</td><td>109,0</td><td>-</td></tr> <tr><td>62</td><td>36,5</td><td>105,0</td><td>-</td><td>-</td><td>-</td><td>-</td><td>-</td><td>-</td><td>-</td><td>108,0</td><td>-</td></tr> <tr><td>66</td><td>31,3</td><td>104,0</td><td>-</td><td>-</td><td>-</td><td>-</td><td>-</td><td>-</td><td>-</td><td>108,0</td><td>-</td></tr> <tr><td>70</td><td>26,7</td><td>102,0</td><td>-</td><td>-</td><td>-</td><td>-</td><td>-</td><td>-</td><td>-</td><td>107,0</td><td>-</td></tr> <tr><td>74</td><td>22,5</td><td>100,0</td><td>-</td><td>-</td><td>-</td><td>-</td><td>-</td><td>-</td><td>-</td><td>107,0</td><td>-</td></tr> <tr><td>78</td><td>18,7</td><td>98,5</td><td>-</td><td>-</td><td>-</td><td>-</td><td>-</td><td>-</td><td>-</td><td>106,0</td><td>-</td></tr> <tr><td>82</td><td>15,2</td><td>96,7</td><td>-</td><td>-</td><td>-</td><td>-</td><td>-</td><td>-</td><td>-</td><td>104,0</td><td>-</td></tr> <tr><td>84</td><td>13,5</td><td>96,0</td><td>104,0</td><td>-</td><td>-</td><td>-</td><td>-</td><td>-</td><td>-</td><td>103,0</td><td>-</td></tr> <tr><td>86</td><td>11,9</td><td>95,0</td><td>104,0</td><td>-</td><td>-</td><td>-</td><td>-</td><td>-</td><td>-</td><td>102,0</td><td>-</td></tr> <tr><td>88</td><td>10,4</td><td>94,0</td><td>104,0</td><td>-</td><td>-</td><td>-</td><td>-</td><td>-</td><td>-</td><td>101,5</td><td>-</td></tr> <tr><td>90</td><td>-</td><td>91,7</td><td>104,0</td><td>-</td><td>-</td><td>-</td><td>-</td><td>-</td><td>-</td><td>101,0</td><td>-</td></tr> <tr><td>94</td><td>-</td><td>87,5</td><td>104,0</td><td>-</td><td>-</td><td>-</td><td>-</td><td>-</td><td>-</td><td>99,0</td><td>-</td></tr> <tr><td>98</td><td>-</td><td>83,2</td><td>104,0</td><td>-</td><td>-</td><td>-</td><td>-</td><td>-</td><td>-</td><td>97,5</td><td>-</td></tr> <tr><td>102</td><td>-</td><td>79,0</td><td>104,0</td><td>-</td><td>-</td><td>-</td><td>-</td><td>-</td><td>-</td><td>96,0</td><td>-</td></tr> <tr><td>106</td><td>-</td><td>74,7</td><td>103,0</td><td>-</td><td>-</td><td>-</td><td>-</td><td>-</td><td>-</td><td>94,0</td><td>-</td></tr> <tr><td>110</td><td>-</td><td>69,7</td><td>103,0</td><td>-</td><td>-</td><td>-</td><td>-</td><td>-</td><td>-</td><td>91,0</td><td>-</td></tr> <tr><td>112</td><td>-</td><td>67,0</td><td>103,0</td><td>-</td><td>-</td><td>-</td><td>-</td><td>-</td><td>-</td><td>90,2</td><td>-</td></tr> <tr><td>114</td><td>-</td><td>-</td><td>99,0</td><td>89,5</td><td>-</td><td>-</td><td>-</td><td>-</td><td>-</td><td>89,5</td><td>-</td></tr> <tr><td>118</td><td>-</td><td>-</td><td>91,5</td><td>89,5</td><td>-</td><td>-</td><td>-</td><td>-</td><td>-</td><td>87,5</td><td>-</td></tr> <tr><td>122</td><td>-</td><td>-</td><td>84,5</td><td>89,5</td><td>-</td><td>-</td><td>-</td><td>-</td><td>-</td><td>86,0</td><td>-</td></tr> <tr><td>126</td><td>-</td><td>-</td><td>78,0</td><td>89,5</td><td>-</td><td>-</td><td>-</td><td>-</td><td>-</td><td>83,0</td><td>-</td></tr> <tr><td>128</td><td>-</td><td>-</td><td>73,5</td><td>89,5</td><td>-</td><td>-</td><td>-</td><td>-</td><td>-</td><td>79,5</td><td>-</td></tr> <tr><td>130</td><td>-</td><td>-</td><td>-</td><td>88,0</td><td>-</td><td>-</td><td>-</td><td>-</td><td>-</td><td>76,0</td><td>-</td></tr> <tr><td>134</td><td>-</td><td>-</td><td>-</td><td>83,5</td><td>-</td><td>-</td><td>-</td><td>-</td><td>-</td><td>69,5</td><td>-</td></tr> <tr><td>138</td><td>-</td><td>-</td><td>-</td><td>79,5</td><td>-</td><td>-</td><td>-</td><td>-</td><td>-</td><td>63,5</td><td>-</td></tr> <tr><td>140</td><td>-</td><td>-</td><td>-</td><td>77,5</td><td>62,0</td><td>-</td><td>-</td><td>-</td><td>-</td><td>60,7</td><td>-</td></tr> <tr><td>142</td><td>-</td><td>-</td><td>-</td><td>76,0</td><td>60,5</td><td>-</td><td>-</td><td>-</td><td>-</td><td>58,0</td><td>-</td></tr> <tr><td>144</td><td>-</td><td>-</td><td>-</td><td>74,5</td><td>59,0</td><td>-</td><td>-</td><td>-</td><td>-</td><td>54,5</td><td>-</td></tr> <tr><td>146</td><td>-</td><td>-</td><td>-</td><td>-</td><td>57,5</td><td>-</td><td>-</td><td>-</td><td>-</td><td>51,0</td><td>-</td></tr> <tr><td>150</td><td>-</td><td>-</td><td>-</td><td>-</td><td>54,5</td><td>-</td><td>-</td><td>-</td><td>-</td><td>44,0</td><td>-</td></tr> <tr><td>154</td><td>-</td><td>-</td><td>-</td><td>-</td><td>51,5</td><td>-</td><td>-</td><td>-</td><td>-</td><td>37,1</td><td>-</td></tr> <tr><td>158</td><td>-</td><td>-</td><td>-</td><td>-</td><td>48,8</td><td>-</td><td>-</td><td>-</td><td>-</td><td>30,4</td><td>-</td></tr> <tr><td>162</td><td>-</td><td>-</td><td>-</td><td>-</td><td>-</td><td>25,2</td><td>-</td><td>-</td><td>-</td><td>23,8</td><td>-</td></tr> <tr><td>166</td><td>-</td><td>-</td><td>-</td><td>-</td><td>-</td><td>23,0</td><td>-</td><td>-</td><td>-</td><td>17,4</td><td>-</td></tr> <tr><td>170</td><td>-</td><td>-</td><td>-</td><td>-</td><td>-</td><td>21,0</td><td>-</td><td>-</td><td>-</td><td>11,1</td><td>-</td></tr> </tbody> </table> |      |         |       |        |      |             |   |      |   |       |             | SWSL |  |  |  |  |  |  |  |  |  |  | SFSL | 0 t |  |  |  |  |  |  |  |  |  |  | 0 t - 640 t |  | 85° | 85° | 75° | 65° | 55° | 45° |  |  |  |  |  | m | t | t | t | t | t | t | t | t | t | t | t | 40 | - | 108,0* | - | - | - | - | - | - | - | - | - | 42 | - | 108,0* | - | - | - | - | - | - | - | - | - | 46 | - | 106,0* | - | - | - | - | - | - | - | - | - | 50 | 56,0 | 110,0 | - | - | - | - | - | - | - | 109,0 | - | 54 | 48,6 | 109,0 | - | - | - | - | - | - | - | 109,0 | - | 58 | 42,2 | 107,0 | - | - | - | - | - | - | - | 109,0 | - | 62 | 36,5 | 105,0 | - | - | - | - | - | - | - | 108,0 | - | 66 | 31,3 | 104,0 | - | - | - | - | - | - | - | 108,0 | - | 70 | 26,7 | 102,0 | - | - | - | - | - | - | - | 107,0 | - | 74 | 22,5 | 100,0 | - | - | - | - | - | - | - | 107,0 | - | 78 | 18,7 | 98,5 | - | - | - | - | - | - | - | 106,0 | - | 82 | 15,2 | 96,7 | - | - | - | - | - | - | - | 104,0 | - | 84 | 13,5 | 96,0 | 104,0 | - | - | - | - | - | - | 103,0 | - | 86 | 11,9 | 95,0 | 104,0 | - | - | - | - | - | - | 102,0 | - | 88 | 10,4 | 94,0 | 104,0 | - | - | - | - | - | - | 101,5 | - | 90 | - | 91,7 | 104,0 | - | - | - | - | - | - | 101,0 | - | 94 | - | 87,5 | 104,0 | - | - | - | - | - | - | 99,0 | - | 98 | - | 83,2 | 104,0 | - | - | - | - | - | - | 97,5 | - | 102 | - | 79,0 | 104,0 | - | - | - | - | - | - | 96,0 | - | 106 | - | 74,7 | 103,0 | - | - | - | - | - | - | 94,0 | - | 110 | - | 69,7 | 103,0 | - | - | - | - | - | - | 91,0 | - | 112 | - | 67,0 | 103,0 | - | - | - | - | - | - | 90,2 | - | 114 | - | - | 99,0 | 89,5 | - | - | - | - | - | 89,5 | - | 118 | - | - | 91,5 | 89,5 | - | - | - | - | - | 87,5 | - | 122 | - | - | 84,5 | 89,5 | - | - | - | - | - | 86,0 | - | 126 | - | - | 78,0 | 89,5 | - | - | - | - | - | 83,0 | - | 128 | - | - | 73,5 | 89,5 | - | - | - | - | - | 79,5 | - | 130 | - | - | - | 88,0 | - | - | - | - | - | 76,0 | - | 134 | - | - | - | 83,5 | - | - | - | - | - | 69,5 | - | 138 | - | - | - | 79,5 | - | - | - | - | - | 63,5 | - | 140 | - | - | - | 77,5 | 62,0 | - | - | - | - | 60,7 | - | 142 | - | - | - | 76,0 | 60,5 | - | - | - | - | 58,0 | - | 144 | - | - | - | 74,5 | 59,0 | - | - | - | - | 54,5 | - | 146 | - | - | - | - | 57,5 | - | - | - | - | 51,0 | - | 150 | - | - | - | - | 54,5 | - | - | - | - | 44,0 | - | 154 | - | - | - | - | 51,5 | - | - | - | - | 37,1 | - | 158 | - | - | - | - | 48,8 | - | - | - | - | 30,4 | - | 162 | - | - | - | - | - | 25,2 | - | - | - | 23,8 | - | 166 | - | - | - | - | - | 23,0 | - | - | - | 17,4 | - | 170 | - | - | - | - | - | 21,0 | - | - | - | 11,1 | - |
| SWSL   |      |         |       |        |      |             |   |      |   |       | SFSL        |      |  |  |  |  |  |  |  |  |  |  |      |     |  |  |  |  |  |  |  |  |  |  |             |  |     |     |     |     |     |     |  |  |  |  |  |   |   |   |   |   |   |   |   |   |   |   |   |    |   |        |   |   |   |   |   |   |   |   |   |    |   |        |   |   |   |   |   |   |   |   |   |    |   |        |   |   |   |   |   |   |   |   |   |    |      |       |   |   |   |   |   |   |   |       |   |    |      |       |   |   |   |   |   |   |   |       |   |    |      |       |   |   |   |   |   |   |   |       |   |    |      |       |   |   |   |   |   |   |   |       |   |    |      |       |   |   |   |   |   |   |   |       |   |    |      |       |   |   |   |   |   |   |   |       |   |    |      |       |   |   |   |   |   |   |   |       |   |    |      |      |   |   |   |   |   |   |   |       |   |    |      |      |   |   |   |   |   |   |   |       |   |    |      |      |       |   |   |   |   |   |   |       |   |    |      |      |       |   |   |   |   |   |   |       |   |    |      |      |       |   |   |   |   |   |   |       |   |    |   |      |       |   |   |   |   |   |   |       |   |    |   |      |       |   |   |   |   |   |   |      |   |    |   |      |       |   |   |   |   |   |   |      |   |     |   |      |       |   |   |   |   |   |   |      |   |     |   |      |       |   |   |   |   |   |   |      |   |     |   |      |       |   |   |   |   |   |   |      |   |     |   |      |       |   |   |   |   |   |   |      |   |     |   |   |      |      |   |   |   |   |   |      |   |     |   |   |      |      |   |   |   |   |   |      |   |     |   |   |      |      |   |   |   |   |   |      |   |     |   |   |      |      |   |   |   |   |   |      |   |     |   |   |      |      |   |   |   |   |   |      |   |     |   |   |   |      |   |   |   |   |   |      |   |     |   |   |   |      |   |   |   |   |   |      |   |     |   |   |   |      |   |   |   |   |   |      |   |     |   |   |   |      |      |   |   |   |   |      |   |     |   |   |   |      |      |   |   |   |   |      |   |     |   |   |   |      |      |   |   |   |   |      |   |     |   |   |   |   |      |   |   |   |   |      |   |     |   |   |   |   |      |   |   |   |   |      |   |     |   |   |   |   |      |   |   |   |   |      |   |     |   |   |   |   |      |   |   |   |   |      |   |     |   |   |   |   |   |      |   |   |   |      |   |     |   |   |   |   |   |      |   |   |   |      |   |     |   |   |   |   |   |      |   |   |   |      |   |
| 0 t  |      |         |       |        |      |             |   |      |   |       | 0 t - 640 t |      |  |  |  |  |  |  |  |  |  |  |      |     |  |  |  |  |  |  |  |  |  |  |             |  |     |     |     |     |     |     |  |  |  |  |  |   |   |   |   |   |   |   |   |   |   |   |   |    |   |        |   |   |   |   |   |   |   |   |   |    |   |        |   |   |   |   |   |   |   |   |   |    |   |        |   |   |   |   |   |   |   |   |   |    |      |       |   |   |   |   |   |   |   |       |   |    |      |       |   |   |   |   |   |   |   |       |   |    |      |       |   |   |   |   |   |   |   |       |   |    |      |       |   |   |   |   |   |   |   |       |   |    |      |       |   |   |   |   |   |   |   |       |   |    |      |       |   |   |   |   |   |   |   |       |   |    |      |       |   |   |   |   |   |   |   |       |   |    |      |      |   |   |   |   |   |   |   |       |   |    |      |      |   |   |   |   |   |   |   |       |   |    |      |      |       |   |   |   |   |   |   |       |   |    |      |      |       |   |   |   |   |   |   |       |   |    |      |      |       |   |   |   |   |   |   |       |   |    |   |      |       |   |   |   |   |   |   |       |   |    |   |      |       |   |   |   |   |   |   |      |   |    |   |      |       |   |   |   |   |   |   |      |   |     |   |      |       |   |   |   |   |   |   |      |   |     |   |      |       |   |   |   |   |   |   |      |   |     |   |      |       |   |   |   |   |   |   |      |   |     |   |      |       |   |   |   |   |   |   |      |   |     |   |   |      |      |   |   |   |   |   |      |   |     |   |   |      |      |   |   |   |   |   |      |   |     |   |   |      |      |   |   |   |   |   |      |   |     |   |   |      |      |   |   |   |   |   |      |   |     |   |   |      |      |   |   |   |   |   |      |   |     |   |   |   |      |   |   |   |   |   |      |   |     |   |   |   |      |   |   |   |   |   |      |   |     |   |   |   |      |   |   |   |   |   |      |   |     |   |   |   |      |      |   |   |   |   |      |   |     |   |   |   |      |      |   |   |   |   |      |   |     |   |   |   |      |      |   |   |   |   |      |   |     |   |   |   |   |      |   |   |   |   |      |   |     |   |   |   |   |      |   |   |   |   |      |   |     |   |   |   |   |      |   |   |   |   |      |   |     |   |   |   |   |      |   |   |   |   |      |   |     |   |   |   |   |   |      |   |   |   |      |   |     |   |   |   |   |   |      |   |   |   |      |   |     |   |   |   |   |   |      |   |   |   |      |   |
|  | 85°  | 85°     | 75°   | 65°    | 55°  | 45°         |   |      |   |       |             |      |  |  |  |  |  |  |  |  |  |  |      |     |  |  |  |  |  |  |  |  |  |  |             |  |     |     |     |     |     |     |  |  |  |  |  |   |   |   |   |   |   |   |   |   |   |   |   |    |   |        |   |   |   |   |   |   |   |   |   |    |   |        |   |   |   |   |   |   |   |   |   |    |   |        |   |   |   |   |   |   |   |   |   |    |      |       |   |   |   |   |   |   |   |       |   |    |      |       |   |   |   |   |   |   |   |       |   |    |      |       |   |   |   |   |   |   |   |       |   |    |      |       |   |   |   |   |   |   |   |       |   |    |      |       |   |   |   |   |   |   |   |       |   |    |      |       |   |   |   |   |   |   |   |       |   |    |      |       |   |   |   |   |   |   |   |       |   |    |      |      |   |   |   |   |   |   |   |       |   |    |      |      |   |   |   |   |   |   |   |       |   |    |      |      |       |   |   |   |   |   |   |       |   |    |      |      |       |   |   |   |   |   |   |       |   |    |      |      |       |   |   |   |   |   |   |       |   |    |   |      |       |   |   |   |   |   |   |       |   |    |   |      |       |   |   |   |   |   |   |      |   |    |   |      |       |   |   |   |   |   |   |      |   |     |   |      |       |   |   |   |   |   |   |      |   |     |   |      |       |   |   |   |   |   |   |      |   |     |   |      |       |   |   |   |   |   |   |      |   |     |   |      |       |   |   |   |   |   |   |      |   |     |   |   |      |      |   |   |   |   |   |      |   |     |   |   |      |      |   |   |   |   |   |      |   |     |   |   |      |      |   |   |   |   |   |      |   |     |   |   |      |      |   |   |   |   |   |      |   |     |   |   |      |      |   |   |   |   |   |      |   |     |   |   |   |      |   |   |   |   |   |      |   |     |   |   |   |      |   |   |   |   |   |      |   |     |   |   |   |      |   |   |   |   |   |      |   |     |   |   |   |      |      |   |   |   |   |      |   |     |   |   |   |      |      |   |   |   |   |      |   |     |   |   |   |      |      |   |   |   |   |      |   |     |   |   |   |   |      |   |   |   |   |      |   |     |   |   |   |   |      |   |   |   |   |      |   |     |   |   |   |   |      |   |   |   |   |      |   |     |   |   |   |   |      |   |   |   |   |      |   |     |   |   |   |   |   |      |   |   |   |      |   |     |   |   |   |   |   |      |   |   |   |      |   |     |   |   |   |   |   |      |   |   |   |      |   |
| m  | t    | t       | t     | t      | t    | t           | t | t    | t | t     | t           |      |  |  |  |  |  |  |  |  |  |  |      |     |  |  |  |  |  |  |  |  |  |  |             |  |     |     |     |     |     |     |  |  |  |  |  |   |   |   |   |   |   |   |   |   |   |   |   |    |   |        |   |   |   |   |   |   |   |   |   |    |   |        |   |   |   |   |   |   |   |   |   |    |   |        |   |   |   |   |   |   |   |   |   |    |      |       |   |   |   |   |   |   |   |       |   |    |      |       |   |   |   |   |   |   |   |       |   |    |      |       |   |   |   |   |   |   |   |       |   |    |      |       |   |   |   |   |   |   |   |       |   |    |      |       |   |   |   |   |   |   |   |       |   |    |      |       |   |   |   |   |   |   |   |       |   |    |      |       |   |   |   |   |   |   |   |       |   |    |      |      |   |   |   |   |   |   |   |       |   |    |      |      |   |   |   |   |   |   |   |       |   |    |      |      |       |   |   |   |   |   |   |       |   |    |      |      |       |   |   |   |   |   |   |       |   |    |      |      |       |   |   |   |   |   |   |       |   |    |   |      |       |   |   |   |   |   |   |       |   |    |   |      |       |   |   |   |   |   |   |      |   |    |   |      |       |   |   |   |   |   |   |      |   |     |   |      |       |   |   |   |   |   |   |      |   |     |   |      |       |   |   |   |   |   |   |      |   |     |   |      |       |   |   |   |   |   |   |      |   |     |   |      |       |   |   |   |   |   |   |      |   |     |   |   |      |      |   |   |   |   |   |      |   |     |   |   |      |      |   |   |   |   |   |      |   |     |   |   |      |      |   |   |   |   |   |      |   |     |   |   |      |      |   |   |   |   |   |      |   |     |   |   |      |      |   |   |   |   |   |      |   |     |   |   |   |      |   |   |   |   |   |      |   |     |   |   |   |      |   |   |   |   |   |      |   |     |   |   |   |      |   |   |   |   |   |      |   |     |   |   |   |      |      |   |   |   |   |      |   |     |   |   |   |      |      |   |   |   |   |      |   |     |   |   |   |      |      |   |   |   |   |      |   |     |   |   |   |   |      |   |   |   |   |      |   |     |   |   |   |   |      |   |   |   |   |      |   |     |   |   |   |   |      |   |   |   |   |      |   |     |   |   |   |   |      |   |   |   |   |      |   |     |   |   |   |   |   |      |   |   |   |      |   |     |   |   |   |   |   |      |   |   |   |      |   |     |   |   |   |   |   |      |   |   |   |      |   |
| 40   | -    | 108,0*  | -     | -      | -    | -           | - | -    | - | -     | -           |      |  |  |  |  |  |  |  |  |  |  |      |     |  |  |  |  |  |  |  |  |  |  |             |  |     |     |     |     |     |     |  |  |  |  |  |   |   |   |   |   |   |   |   |   |   |   |   |    |   |        |   |   |   |   |   |   |   |   |   |    |   |        |   |   |   |   |   |   |   |   |   |    |   |        |   |   |   |   |   |   |   |   |   |    |      |       |   |   |   |   |   |   |   |       |   |    |      |       |   |   |   |   |   |   |   |       |   |    |      |       |   |   |   |   |   |   |   |       |   |    |      |       |   |   |   |   |   |   |   |       |   |    |      |       |   |   |   |   |   |   |   |       |   |    |      |       |   |   |   |   |   |   |   |       |   |    |      |       |   |   |   |   |   |   |   |       |   |    |      |      |   |   |   |   |   |   |   |       |   |    |      |      |   |   |   |   |   |   |   |       |   |    |      |      |       |   |   |   |   |   |   |       |   |    |      |      |       |   |   |   |   |   |   |       |   |    |      |      |       |   |   |   |   |   |   |       |   |    |   |      |       |   |   |   |   |   |   |       |   |    |   |      |       |   |   |   |   |   |   |      |   |    |   |      |       |   |   |   |   |   |   |      |   |     |   |      |       |   |   |   |   |   |   |      |   |     |   |      |       |   |   |   |   |   |   |      |   |     |   |      |       |   |   |   |   |   |   |      |   |     |   |      |       |   |   |   |   |   |   |      |   |     |   |   |      |      |   |   |   |   |   |      |   |     |   |   |      |      |   |   |   |   |   |      |   |     |   |   |      |      |   |   |   |   |   |      |   |     |   |   |      |      |   |   |   |   |   |      |   |     |   |   |      |      |   |   |   |   |   |      |   |     |   |   |   |      |   |   |   |   |   |      |   |     |   |   |   |      |   |   |   |   |   |      |   |     |   |   |   |      |   |   |   |   |   |      |   |     |   |   |   |      |      |   |   |   |   |      |   |     |   |   |   |      |      |   |   |   |   |      |   |     |   |   |   |      |      |   |   |   |   |      |   |     |   |   |   |   |      |   |   |   |   |      |   |     |   |   |   |   |      |   |   |   |   |      |   |     |   |   |   |   |      |   |   |   |   |      |   |     |   |   |   |   |      |   |   |   |   |      |   |     |   |   |   |   |   |      |   |   |   |      |   |     |   |   |   |   |   |      |   |   |   |      |   |     |   |   |   |   |   |      |   |   |   |      |   |
| 42   | -    | 108,0*  | -     | -      | -    | -           | - | -    | - | -     | -           |      |  |  |  |  |  |  |  |  |  |  |      |     |  |  |  |  |  |  |  |  |  |  |             |  |     |     |     |     |     |     |  |  |  |  |  |   |   |   |   |   |   |   |   |   |   |   |   |    |   |        |   |   |   |   |   |   |   |   |   |    |   |        |   |   |   |   |   |   |   |   |   |    |   |        |   |   |   |   |   |   |   |   |   |    |      |       |   |   |   |   |   |   |   |       |   |    |      |       |   |   |   |   |   |   |   |       |   |    |      |       |   |   |   |   |   |   |   |       |   |    |      |       |   |   |   |   |   |   |   |       |   |    |      |       |   |   |   |   |   |   |   |       |   |    |      |       |   |   |   |   |   |   |   |       |   |    |      |       |   |   |   |   |   |   |   |       |   |    |      |      |   |   |   |   |   |   |   |       |   |    |      |      |   |   |   |   |   |   |   |       |   |    |      |      |       |   |   |   |   |   |   |       |   |    |      |      |       |   |   |   |   |   |   |       |   |    |      |      |       |   |   |   |   |   |   |       |   |    |   |      |       |   |   |   |   |   |   |       |   |    |   |      |       |   |   |   |   |   |   |      |   |    |   |      |       |   |   |   |   |   |   |      |   |     |   |      |       |   |   |   |   |   |   |      |   |     |   |      |       |   |   |   |   |   |   |      |   |     |   |      |       |   |   |   |   |   |   |      |   |     |   |      |       |   |   |   |   |   |   |      |   |     |   |   |      |      |   |   |   |   |   |      |   |     |   |   |      |      |   |   |   |   |   |      |   |     |   |   |      |      |   |   |   |   |   |      |   |     |   |   |      |      |   |   |   |   |   |      |   |     |   |   |      |      |   |   |   |   |   |      |   |     |   |   |   |      |   |   |   |   |   |      |   |     |   |   |   |      |   |   |   |   |   |      |   |     |   |   |   |      |   |   |   |   |   |      |   |     |   |   |   |      |      |   |   |   |   |      |   |     |   |   |   |      |      |   |   |   |   |      |   |     |   |   |   |      |      |   |   |   |   |      |   |     |   |   |   |   |      |   |   |   |   |      |   |     |   |   |   |   |      |   |   |   |   |      |   |     |   |   |   |   |      |   |   |   |   |      |   |     |   |   |   |   |      |   |   |   |   |      |   |     |   |   |   |   |   |      |   |   |   |      |   |     |   |   |   |   |   |      |   |   |   |      |   |     |   |   |   |   |   |      |   |   |   |      |   |
| 46   | -    | 106,0*  | -     | -      | -    | -           | - | -    | - | -     | -           |      |  |  |  |  |  |  |  |  |  |  |      |     |  |  |  |  |  |  |  |  |  |  |             |  |     |     |     |     |     |     |  |  |  |  |  |   |   |   |   |   |   |   |   |   |   |   |   |    |   |        |   |   |   |   |   |   |   |   |   |    |   |        |   |   |   |   |   |   |   |   |   |    |   |        |   |   |   |   |   |   |   |   |   |    |      |       |   |   |   |   |   |   |   |       |   |    |      |       |   |   |   |   |   |   |   |       |   |    |      |       |   |   |   |   |   |   |   |       |   |    |      |       |   |   |   |   |   |   |   |       |   |    |      |       |   |   |   |   |   |   |   |       |   |    |      |       |   |   |   |   |   |   |   |       |   |    |      |       |   |   |   |   |   |   |   |       |   |    |      |      |   |   |   |   |   |   |   |       |   |    |      |      |   |   |   |   |   |   |   |       |   |    |      |      |       |   |   |   |   |   |   |       |   |    |      |      |       |   |   |   |   |   |   |       |   |    |      |      |       |   |   |   |   |   |   |       |   |    |   |      |       |   |   |   |   |   |   |       |   |    |   |      |       |   |   |   |   |   |   |      |   |    |   |      |       |   |   |   |   |   |   |      |   |     |   |      |       |   |   |   |   |   |   |      |   |     |   |      |       |   |   |   |   |   |   |      |   |     |   |      |       |   |   |   |   |   |   |      |   |     |   |      |       |   |   |   |   |   |   |      |   |     |   |   |      |      |   |   |   |   |   |      |   |     |   |   |      |      |   |   |   |   |   |      |   |     |   |   |      |      |   |   |   |   |   |      |   |     |   |   |      |      |   |   |   |   |   |      |   |     |   |   |      |      |   |   |   |   |   |      |   |     |   |   |   |      |   |   |   |   |   |      |   |     |   |   |   |      |   |   |   |   |   |      |   |     |   |   |   |      |   |   |   |   |   |      |   |     |   |   |   |      |      |   |   |   |   |      |   |     |   |   |   |      |      |   |   |   |   |      |   |     |   |   |   |      |      |   |   |   |   |      |   |     |   |   |   |   |      |   |   |   |   |      |   |     |   |   |   |   |      |   |   |   |   |      |   |     |   |   |   |   |      |   |   |   |   |      |   |     |   |   |   |   |      |   |   |   |   |      |   |     |   |   |   |   |   |      |   |   |   |      |   |     |   |   |   |   |   |      |   |   |   |      |   |     |   |   |   |   |   |      |   |   |   |      |   |
| 50   | 56,0 | 110,0   | -     | -      | -    | -           | - | -    | - | 109,0 | -           |      |  |  |  |  |  |  |  |  |  |  |      |     |  |  |  |  |  |  |  |  |  |  |             |  |     |     |     |     |     |     |  |  |  |  |  |   |   |   |   |   |   |   |   |   |   |   |   |    |   |        |   |   |   |   |   |   |   |   |   |    |   |        |   |   |   |   |   |   |   |   |   |    |   |        |   |   |   |   |   |   |   |   |   |    |      |       |   |   |   |   |   |   |   |       |   |    |      |       |   |   |   |   |   |   |   |       |   |    |      |       |   |   |   |   |   |   |   |       |   |    |      |       |   |   |   |   |   |   |   |       |   |    |      |       |   |   |   |   |   |   |   |       |   |    |      |       |   |   |   |   |   |   |   |       |   |    |      |       |   |   |   |   |   |   |   |       |   |    |      |      |   |   |   |   |   |   |   |       |   |    |      |      |   |   |   |   |   |   |   |       |   |    |      |      |       |   |   |   |   |   |   |       |   |    |      |      |       |   |   |   |   |   |   |       |   |    |      |      |       |   |   |   |   |   |   |       |   |    |   |      |       |   |   |   |   |   |   |       |   |    |   |      |       |   |   |   |   |   |   |      |   |    |   |      |       |   |   |   |   |   |   |      |   |     |   |      |       |   |   |   |   |   |   |      |   |     |   |      |       |   |   |   |   |   |   |      |   |     |   |      |       |   |   |   |   |   |   |      |   |     |   |      |       |   |   |   |   |   |   |      |   |     |   |   |      |      |   |   |   |   |   |      |   |     |   |   |      |      |   |   |   |   |   |      |   |     |   |   |      |      |   |   |   |   |   |      |   |     |   |   |      |      |   |   |   |   |   |      |   |     |   |   |      |      |   |   |   |   |   |      |   |     |   |   |   |      |   |   |   |   |   |      |   |     |   |   |   |      |   |   |   |   |   |      |   |     |   |   |   |      |   |   |   |   |   |      |   |     |   |   |   |      |      |   |   |   |   |      |   |     |   |   |   |      |      |   |   |   |   |      |   |     |   |   |   |      |      |   |   |   |   |      |   |     |   |   |   |   |      |   |   |   |   |      |   |     |   |   |   |   |      |   |   |   |   |      |   |     |   |   |   |   |      |   |   |   |   |      |   |     |   |   |   |   |      |   |   |   |   |      |   |     |   |   |   |   |   |      |   |   |   |      |   |     |   |   |   |   |   |      |   |   |   |      |   |     |   |   |   |   |   |      |   |   |   |      |   |
| 54   | 48,6 | 109,0   | -     | -      | -    | -           | - | -    | - | 109,0 | -           |      |  |  |  |  |  |  |  |  |  |  |      |     |  |  |  |  |  |  |  |  |  |  |             |  |     |     |     |     |     |     |  |  |  |  |  |   |   |   |   |   |   |   |   |   |   |   |   |    |   |        |   |   |   |   |   |   |   |   |   |    |   |        |   |   |   |   |   |   |   |   |   |    |   |        |   |   |   |   |   |   |   |   |   |    |      |       |   |   |   |   |   |   |   |       |   |    |      |       |   |   |   |   |   |   |   |       |   |    |      |       |   |   |   |   |   |   |   |       |   |    |      |       |   |   |   |   |   |   |   |       |   |    |      |       |   |   |   |   |   |   |   |       |   |    |      |       |   |   |   |   |   |   |   |       |   |    |      |       |   |   |   |   |   |   |   |       |   |    |      |      |   |   |   |   |   |   |   |       |   |    |      |      |   |   |   |   |   |   |   |       |   |    |      |      |       |   |   |   |   |   |   |       |   |    |      |      |       |   |   |   |   |   |   |       |   |    |      |      |       |   |   |   |   |   |   |       |   |    |   |      |       |   |   |   |   |   |   |       |   |    |   |      |       |   |   |   |   |   |   |      |   |    |   |      |       |   |   |   |   |   |   |      |   |     |   |      |       |   |   |   |   |   |   |      |   |     |   |      |       |   |   |   |   |   |   |      |   |     |   |      |       |   |   |   |   |   |   |      |   |     |   |      |       |   |   |   |   |   |   |      |   |     |   |   |      |      |   |   |   |   |   |      |   |     |   |   |      |      |   |   |   |   |   |      |   |     |   |   |      |      |   |   |   |   |   |      |   |     |   |   |      |      |   |   |   |   |   |      |   |     |   |   |      |      |   |   |   |   |   |      |   |     |   |   |   |      |   |   |   |   |   |      |   |     |   |   |   |      |   |   |   |   |   |      |   |     |   |   |   |      |   |   |   |   |   |      |   |     |   |   |   |      |      |   |   |   |   |      |   |     |   |   |   |      |      |   |   |   |   |      |   |     |   |   |   |      |      |   |   |   |   |      |   |     |   |   |   |   |      |   |   |   |   |      |   |     |   |   |   |   |      |   |   |   |   |      |   |     |   |   |   |   |      |   |   |   |   |      |   |     |   |   |   |   |      |   |   |   |   |      |   |     |   |   |   |   |   |      |   |   |   |      |   |     |   |   |   |   |   |      |   |   |   |      |   |     |   |   |   |   |   |      |   |   |   |      |   |
| 58   | 42,2 | 107,0   | -     | -      | -    | -           | - | -    | - | 109,0 | -           |      |  |  |  |  |  |  |  |  |  |  |      |     |  |  |  |  |  |  |  |  |  |  |             |  |     |     |     |     |     |     |  |  |  |  |  |   |   |   |   |   |   |   |   |   |   |   |   |    |   |        |   |   |   |   |   |   |   |   |   |    |   |        |   |   |   |   |   |   |   |   |   |    |   |        |   |   |   |   |   |   |   |   |   |    |      |       |   |   |   |   |   |   |   |       |   |    |      |       |   |   |   |   |   |   |   |       |   |    |      |       |   |   |   |   |   |   |   |       |   |    |      |       |   |   |   |   |   |   |   |       |   |    |      |       |   |   |   |   |   |   |   |       |   |    |      |       |   |   |   |   |   |   |   |       |   |    |      |       |   |   |   |   |   |   |   |       |   |    |      |      |   |   |   |   |   |   |   |       |   |    |      |      |   |   |   |   |   |   |   |       |   |    |      |      |       |   |   |   |   |   |   |       |   |    |      |      |       |   |   |   |   |   |   |       |   |    |      |      |       |   |   |   |   |   |   |       |   |    |   |      |       |   |   |   |   |   |   |       |   |    |   |      |       |   |   |   |   |   |   |      |   |    |   |      |       |   |   |   |   |   |   |      |   |     |   |      |       |   |   |   |   |   |   |      |   |     |   |      |       |   |   |   |   |   |   |      |   |     |   |      |       |   |   |   |   |   |   |      |   |     |   |      |       |   |   |   |   |   |   |      |   |     |   |   |      |      |   |   |   |   |   |      |   |     |   |   |      |      |   |   |   |   |   |      |   |     |   |   |      |      |   |   |   |   |   |      |   |     |   |   |      |      |   |   |   |   |   |      |   |     |   |   |      |      |   |   |   |   |   |      |   |     |   |   |   |      |   |   |   |   |   |      |   |     |   |   |   |      |   |   |   |   |   |      |   |     |   |   |   |      |   |   |   |   |   |      |   |     |   |   |   |      |      |   |   |   |   |      |   |     |   |   |   |      |      |   |   |   |   |      |   |     |   |   |   |      |      |   |   |   |   |      |   |     |   |   |   |   |      |   |   |   |   |      |   |     |   |   |   |   |      |   |   |   |   |      |   |     |   |   |   |   |      |   |   |   |   |      |   |     |   |   |   |   |      |   |   |   |   |      |   |     |   |   |   |   |   |      |   |   |   |      |   |     |   |   |   |   |   |      |   |   |   |      |   |     |   |   |   |   |   |      |   |   |   |      |   |
| 62   | 36,5 | 105,0   | -     | -      | -    | -           | - | -    | - | 108,0 | -           |      |  |  |  |  |  |  |  |  |  |  |      |     |  |  |  |  |  |  |  |  |  |  |             |  |     |     |     |     |     |     |  |  |  |  |  |   |   |   |   |   |   |   |   |   |   |   |   |    |   |        |   |   |   |   |   |   |   |   |   |    |   |        |   |   |   |   |   |   |   |   |   |    |   |        |   |   |   |   |   |   |   |   |   |    |      |       |   |   |   |   |   |   |   |       |   |    |      |       |   |   |   |   |   |   |   |       |   |    |      |       |   |   |   |   |   |   |   |       |   |    |      |       |   |   |   |   |   |   |   |       |   |    |      |       |   |   |   |   |   |   |   |       |   |    |      |       |   |   |   |   |   |   |   |       |   |    |      |       |   |   |   |   |   |   |   |       |   |    |      |      |   |   |   |   |   |   |   |       |   |    |      |      |   |   |   |   |   |   |   |       |   |    |      |      |       |   |   |   |   |   |   |       |   |    |      |      |       |   |   |   |   |   |   |       |   |    |      |      |       |   |   |   |   |   |   |       |   |    |   |      |       |   |   |   |   |   |   |       |   |    |   |      |       |   |   |   |   |   |   |      |   |    |   |      |       |   |   |   |   |   |   |      |   |     |   |      |       |   |   |   |   |   |   |      |   |     |   |      |       |   |   |   |   |   |   |      |   |     |   |      |       |   |   |   |   |   |   |      |   |     |   |      |       |   |   |   |   |   |   |      |   |     |   |   |      |      |   |   |   |   |   |      |   |     |   |   |      |      |   |   |   |   |   |      |   |     |   |   |      |      |   |   |   |   |   |      |   |     |   |   |      |      |   |   |   |   |   |      |   |     |   |   |      |      |   |   |   |   |   |      |   |     |   |   |   |      |   |   |   |   |   |      |   |     |   |   |   |      |   |   |   |   |   |      |   |     |   |   |   |      |   |   |   |   |   |      |   |     |   |   |   |      |      |   |   |   |   |      |   |     |   |   |   |      |      |   |   |   |   |      |   |     |   |   |   |      |      |   |   |   |   |      |   |     |   |   |   |   |      |   |   |   |   |      |   |     |   |   |   |   |      |   |   |   |   |      |   |     |   |   |   |   |      |   |   |   |   |      |   |     |   |   |   |   |      |   |   |   |   |      |   |     |   |   |   |   |   |      |   |   |   |      |   |     |   |   |   |   |   |      |   |   |   |      |   |     |   |   |   |   |   |      |   |   |   |      |   |
| 66   | 31,3 | 104,0   | -     | -      | -    | -           | - | -    | - | 108,0 | -           |      |  |  |  |  |  |  |  |  |  |  |      |     |  |  |  |  |  |  |  |  |  |  |             |  |     |     |     |     |     |     |  |  |  |  |  |   |   |   |   |   |   |   |   |   |   |   |   |    |   |        |   |   |   |   |   |   |   |   |   |    |   |        |   |   |   |   |   |   |   |   |   |    |   |        |   |   |   |   |   |   |   |   |   |    |      |       |   |   |   |   |   |   |   |       |   |    |      |       |   |   |   |   |   |   |   |       |   |    |      |       |   |   |   |   |   |   |   |       |   |    |      |       |   |   |   |   |   |   |   |       |   |    |      |       |   |   |   |   |   |   |   |       |   |    |      |       |   |   |   |   |   |   |   |       |   |    |      |       |   |   |   |   |   |   |   |       |   |    |      |      |   |   |   |   |   |   |   |       |   |    |      |      |   |   |   |   |   |   |   |       |   |    |      |      |       |   |   |   |   |   |   |       |   |    |      |      |       |   |   |   |   |   |   |       |   |    |      |      |       |   |   |   |   |   |   |       |   |    |   |      |       |   |   |   |   |   |   |       |   |    |   |      |       |   |   |   |   |   |   |      |   |    |   |      |       |   |   |   |   |   |   |      |   |     |   |      |       |   |   |   |   |   |   |      |   |     |   |      |       |   |   |   |   |   |   |      |   |     |   |      |       |   |   |   |   |   |   |      |   |     |   |      |       |   |   |   |   |   |   |      |   |     |   |   |      |      |   |   |   |   |   |      |   |     |   |   |      |      |   |   |   |   |   |      |   |     |   |   |      |      |   |   |   |   |   |      |   |     |   |   |      |      |   |   |   |   |   |      |   |     |   |   |      |      |   |   |   |   |   |      |   |     |   |   |   |      |   |   |   |   |   |      |   |     |   |   |   |      |   |   |   |   |   |      |   |     |   |   |   |      |   |   |   |   |   |      |   |     |   |   |   |      |      |   |   |   |   |      |   |     |   |   |   |      |      |   |   |   |   |      |   |     |   |   |   |      |      |   |   |   |   |      |   |     |   |   |   |   |      |   |   |   |   |      |   |     |   |   |   |   |      |   |   |   |   |      |   |     |   |   |   |   |      |   |   |   |   |      |   |     |   |   |   |   |      |   |   |   |   |      |   |     |   |   |   |   |   |      |   |   |   |      |   |     |   |   |   |   |   |      |   |   |   |      |   |     |   |   |   |   |   |      |   |   |   |      |   |
| 70   | 26,7 | 102,0   | -     | -      | -    | -           | - | -    | - | 107,0 | -           |      |  |  |  |  |  |  |  |  |  |  |      |     |  |  |  |  |  |  |  |  |  |  |             |  |     |     |     |     |     |     |  |  |  |  |  |   |   |   |   |   |   |   |   |   |   |   |   |    |   |        |   |   |   |   |   |   |   |   |   |    |   |        |   |   |   |   |   |   |   |   |   |    |   |        |   |   |   |   |   |   |   |   |   |    |      |       |   |   |   |   |   |   |   |       |   |    |      |       |   |   |   |   |   |   |   |       |   |    |      |       |   |   |   |   |   |   |   |       |   |    |      |       |   |   |   |   |   |   |   |       |   |    |      |       |   |   |   |   |   |   |   |       |   |    |      |       |   |   |   |   |   |   |   |       |   |    |      |       |   |   |   |   |   |   |   |       |   |    |      |      |   |   |   |   |   |   |   |       |   |    |      |      |   |   |   |   |   |   |   |       |   |    |      |      |       |   |   |   |   |   |   |       |   |    |      |      |       |   |   |   |   |   |   |       |   |    |      |      |       |   |   |   |   |   |   |       |   |    |   |      |       |   |   |   |   |   |   |       |   |    |   |      |       |   |   |   |   |   |   |      |   |    |   |      |       |   |   |   |   |   |   |      |   |     |   |      |       |   |   |   |   |   |   |      |   |     |   |      |       |   |   |   |   |   |   |      |   |     |   |      |       |   |   |   |   |   |   |      |   |     |   |      |       |   |   |   |   |   |   |      |   |     |   |   |      |      |   |   |   |   |   |      |   |     |   |   |      |      |   |   |   |   |   |      |   |     |   |   |      |      |   |   |   |   |   |      |   |     |   |   |      |      |   |   |   |   |   |      |   |     |   |   |      |      |   |   |   |   |   |      |   |     |   |   |   |      |   |   |   |   |   |      |   |     |   |   |   |      |   |   |   |   |   |      |   |     |   |   |   |      |   |   |   |   |   |      |   |     |   |   |   |      |      |   |   |   |   |      |   |     |   |   |   |      |      |   |   |   |   |      |   |     |   |   |   |      |      |   |   |   |   |      |   |     |   |   |   |   |      |   |   |   |   |      |   |     |   |   |   |   |      |   |   |   |   |      |   |     |   |   |   |   |      |   |   |   |   |      |   |     |   |   |   |   |      |   |   |   |   |      |   |     |   |   |   |   |   |      |   |   |   |      |   |     |   |   |   |   |   |      |   |   |   |      |   |     |   |   |   |   |   |      |   |   |   |      |   |
| 74   | 22,5 | 100,0   | -     | -      | -    | -           | - | -    | - | 107,0 | -           |      |  |  |  |  |  |  |  |  |  |  |      |     |  |  |  |  |  |  |  |  |  |  |             |  |     |     |     |     |     |     |  |  |  |  |  |   |   |   |   |   |   |   |   |   |   |   |   |    |   |        |   |   |   |   |   |   |   |   |   |    |   |        |   |   |   |   |   |   |   |   |   |    |   |        |   |   |   |   |   |   |   |   |   |    |      |       |   |   |   |   |   |   |   |       |   |    |      |       |   |   |   |   |   |   |   |       |   |    |      |       |   |   |   |   |   |   |   |       |   |    |      |       |   |   |   |   |   |   |   |       |   |    |      |       |   |   |   |   |   |   |   |       |   |    |      |       |   |   |   |   |   |   |   |       |   |    |      |       |   |   |   |   |   |   |   |       |   |    |      |      |   |   |   |   |   |   |   |       |   |    |      |      |   |   |   |   |   |   |   |       |   |    |      |      |       |   |   |   |   |   |   |       |   |    |      |      |       |   |   |   |   |   |   |       |   |    |      |      |       |   |   |   |   |   |   |       |   |    |   |      |       |   |   |   |   |   |   |       |   |    |   |      |       |   |   |   |   |   |   |      |   |    |   |      |       |   |   |   |   |   |   |      |   |     |   |      |       |   |   |   |   |   |   |      |   |     |   |      |       |   |   |   |   |   |   |      |   |     |   |      |       |   |   |   |   |   |   |      |   |     |   |      |       |   |   |   |   |   |   |      |   |     |   |   |      |      |   |   |   |   |   |      |   |     |   |   |      |      |   |   |   |   |   |      |   |     |   |   |      |      |   |   |   |   |   |      |   |     |   |   |      |      |   |   |   |   |   |      |   |     |   |   |      |      |   |   |   |   |   |      |   |     |   |   |   |      |   |   |   |   |   |      |   |     |   |   |   |      |   |   |   |   |   |      |   |     |   |   |   |      |   |   |   |   |   |      |   |     |   |   |   |      |      |   |   |   |   |      |   |     |   |   |   |      |      |   |   |   |   |      |   |     |   |   |   |      |      |   |   |   |   |      |   |     |   |   |   |   |      |   |   |   |   |      |   |     |   |   |   |   |      |   |   |   |   |      |   |     |   |   |   |   |      |   |   |   |   |      |   |     |   |   |   |   |      |   |   |   |   |      |   |     |   |   |   |   |   |      |   |   |   |      |   |     |   |   |   |   |   |      |   |   |   |      |   |     |   |   |   |   |   |      |   |   |   |      |   |
| 78   | 18,7 | 98,5    | -     | -      | -    | -           | - | -    | - | 106,0 | -           |      |  |  |  |  |  |  |  |  |  |  |      |     |  |  |  |  |  |  |  |  |  |  |             |  |     |     |     |     |     |     |  |  |  |  |  |   |   |   |   |   |   |   |   |   |   |   |   |    |   |        |   |   |   |   |   |   |   |   |   |    |   |        |   |   |   |   |   |   |   |   |   |    |   |        |   |   |   |   |   |   |   |   |   |    |      |       |   |   |   |   |   |   |   |       |   |    |      |       |   |   |   |   |   |   |   |       |   |    |      |       |   |   |   |   |   |   |   |       |   |    |      |       |   |   |   |   |   |   |   |       |   |    |      |       |   |   |   |   |   |   |   |       |   |    |      |       |   |   |   |   |   |   |   |       |   |    |      |       |   |   |   |   |   |   |   |       |   |    |      |      |   |   |   |   |   |   |   |       |   |    |      |      |   |   |   |   |   |   |   |       |   |    |      |      |       |   |   |   |   |   |   |       |   |    |      |      |       |   |   |   |   |   |   |       |   |    |      |      |       |   |   |   |   |   |   |       |   |    |   |      |       |   |   |   |   |   |   |       |   |    |   |      |       |   |   |   |   |   |   |      |   |    |   |      |       |   |   |   |   |   |   |      |   |     |   |      |       |   |   |   |   |   |   |      |   |     |   |      |       |   |   |   |   |   |   |      |   |     |   |      |       |   |   |   |   |   |   |      |   |     |   |      |       |   |   |   |   |   |   |      |   |     |   |   |      |      |   |   |   |   |   |      |   |     |   |   |      |      |   |   |   |   |   |      |   |     |   |   |      |      |   |   |   |   |   |      |   |     |   |   |      |      |   |   |   |   |   |      |   |     |   |   |      |      |   |   |   |   |   |      |   |     |   |   |   |      |   |   |   |   |   |      |   |     |   |   |   |      |   |   |   |   |   |      |   |     |   |   |   |      |   |   |   |   |   |      |   |     |   |   |   |      |      |   |   |   |   |      |   |     |   |   |   |      |      |   |   |   |   |      |   |     |   |   |   |      |      |   |   |   |   |      |   |     |   |   |   |   |      |   |   |   |   |      |   |     |   |   |   |   |      |   |   |   |   |      |   |     |   |   |   |   |      |   |   |   |   |      |   |     |   |   |   |   |      |   |   |   |   |      |   |     |   |   |   |   |   |      |   |   |   |      |   |     |   |   |   |   |   |      |   |   |   |      |   |     |   |   |   |   |   |      |   |   |   |      |   |
| 82   | 15,2 | 96,7    | -     | -      | -    | -           | - | -    | - | 104,0 | -           |      |  |  |  |  |  |  |  |  |  |  |      |     |  |  |  |  |  |  |  |  |  |  |             |  |     |     |     |     |     |     |  |  |  |  |  |   |   |   |   |   |   |   |   |   |   |   |   |    |   |        |   |   |   |   |   |   |   |   |   |    |   |        |   |   |   |   |   |   |   |   |   |    |   |        |   |   |   |   |   |   |   |   |   |    |      |       |   |   |   |   |   |   |   |       |   |    |      |       |   |   |   |   |   |   |   |       |   |    |      |       |   |   |   |   |   |   |   |       |   |    |      |       |   |   |   |   |   |   |   |       |   |    |      |       |   |   |   |   |   |   |   |       |   |    |      |       |   |   |   |   |   |   |   |       |   |    |      |       |   |   |   |   |   |   |   |       |   |    |      |      |   |   |   |   |   |   |   |       |   |    |      |      |   |   |   |   |   |   |   |       |   |    |      |      |       |   |   |   |   |   |   |       |   |    |      |      |       |   |   |   |   |   |   |       |   |    |      |      |       |   |   |   |   |   |   |       |   |    |   |      |       |   |   |   |   |   |   |       |   |    |   |      |       |   |   |   |   |   |   |      |   |    |   |      |       |   |   |   |   |   |   |      |   |     |   |      |       |   |   |   |   |   |   |      |   |     |   |      |       |   |   |   |   |   |   |      |   |     |   |      |       |   |   |   |   |   |   |      |   |     |   |      |       |   |   |   |   |   |   |      |   |     |   |   |      |      |   |   |   |   |   |      |   |     |   |   |      |      |   |   |   |   |   |      |   |     |   |   |      |      |   |   |   |   |   |      |   |     |   |   |      |      |   |   |   |   |   |      |   |     |   |   |      |      |   |   |   |   |   |      |   |     |   |   |   |      |   |   |   |   |   |      |   |     |   |   |   |      |   |   |   |   |   |      |   |     |   |   |   |      |   |   |   |   |   |      |   |     |   |   |   |      |      |   |   |   |   |      |   |     |   |   |   |      |      |   |   |   |   |      |   |     |   |   |   |      |      |   |   |   |   |      |   |     |   |   |   |   |      |   |   |   |   |      |   |     |   |   |   |   |      |   |   |   |   |      |   |     |   |   |   |   |      |   |   |   |   |      |   |     |   |   |   |   |      |   |   |   |   |      |   |     |   |   |   |   |   |      |   |   |   |      |   |     |   |   |   |   |   |      |   |   |   |      |   |     |   |   |   |   |   |      |   |   |   |      |   |
| 84   | 13,5 | 96,0    | 104,0 | -      | -    | -           | - | -    | - | 103,0 | -           |      |  |  |  |  |  |  |  |  |  |  |      |     |  |  |  |  |  |  |  |  |  |  |             |  |     |     |     |     |     |     |  |  |  |  |  |   |   |   |   |   |   |   |   |   |   |   |   |    |   |        |   |   |   |   |   |   |   |   |   |    |   |        |   |   |   |   |   |   |   |   |   |    |   |        |   |   |   |   |   |   |   |   |   |    |      |       |   |   |   |   |   |   |   |       |   |    |      |       |   |   |   |   |   |   |   |       |   |    |      |       |   |   |   |   |   |   |   |       |   |    |      |       |   |   |   |   |   |   |   |       |   |    |      |       |   |   |   |   |   |   |   |       |   |    |      |       |   |   |   |   |   |   |   |       |   |    |      |       |   |   |   |   |   |   |   |       |   |    |      |      |   |   |   |   |   |   |   |       |   |    |      |      |   |   |   |   |   |   |   |       |   |    |      |      |       |   |   |   |   |   |   |       |   |    |      |      |       |   |   |   |   |   |   |       |   |    |      |      |       |   |   |   |   |   |   |       |   |    |   |      |       |   |   |   |   |   |   |       |   |    |   |      |       |   |   |   |   |   |   |      |   |    |   |      |       |   |   |   |   |   |   |      |   |     |   |      |       |   |   |   |   |   |   |      |   |     |   |      |       |   |   |   |   |   |   |      |   |     |   |      |       |   |   |   |   |   |   |      |   |     |   |      |       |   |   |   |   |   |   |      |   |     |   |   |      |      |   |   |   |   |   |      |   |     |   |   |      |      |   |   |   |   |   |      |   |     |   |   |      |      |   |   |   |   |   |      |   |     |   |   |      |      |   |   |   |   |   |      |   |     |   |   |      |      |   |   |   |   |   |      |   |     |   |   |   |      |   |   |   |   |   |      |   |     |   |   |   |      |   |   |   |   |   |      |   |     |   |   |   |      |   |   |   |   |   |      |   |     |   |   |   |      |      |   |   |   |   |      |   |     |   |   |   |      |      |   |   |   |   |      |   |     |   |   |   |      |      |   |   |   |   |      |   |     |   |   |   |   |      |   |   |   |   |      |   |     |   |   |   |   |      |   |   |   |   |      |   |     |   |   |   |   |      |   |   |   |   |      |   |     |   |   |   |   |      |   |   |   |   |      |   |     |   |   |   |   |   |      |   |   |   |      |   |     |   |   |   |   |   |      |   |   |   |      |   |     |   |   |   |   |   |      |   |   |   |      |   |
| 86   | 11,9 | 95,0    | 104,0 | -      | -    | -           | - | -    | - | 102,0 | -           |      |  |  |  |  |  |  |  |  |  |  |      |     |  |  |  |  |  |  |  |  |  |  |             |  |     |     |     |     |     |     |  |  |  |  |  |   |   |   |   |   |   |   |   |   |   |   |   |    |   |        |   |   |   |   |   |   |   |   |   |    |   |        |   |   |   |   |   |   |   |   |   |    |   |        |   |   |   |   |   |   |   |   |   |    |      |       |   |   |   |   |   |   |   |       |   |    |      |       |   |   |   |   |   |   |   |       |   |    |      |       |   |   |   |   |   |   |   |       |   |    |      |       |   |   |   |   |   |   |   |       |   |    |      |       |   |   |   |   |   |   |   |       |   |    |      |       |   |   |   |   |   |   |   |       |   |    |      |       |   |   |   |   |   |   |   |       |   |    |      |      |   |   |   |   |   |   |   |       |   |    |      |      |   |   |   |   |   |   |   |       |   |    |      |      |       |   |   |   |   |   |   |       |   |    |      |      |       |   |   |   |   |   |   |       |   |    |      |      |       |   |   |   |   |   |   |       |   |    |   |      |       |   |   |   |   |   |   |       |   |    |   |      |       |   |   |   |   |   |   |      |   |    |   |      |       |   |   |   |   |   |   |      |   |     |   |      |       |   |   |   |   |   |   |      |   |     |   |      |       |   |   |   |   |   |   |      |   |     |   |      |       |   |   |   |   |   |   |      |   |     |   |      |       |   |   |   |   |   |   |      |   |     |   |   |      |      |   |   |   |   |   |      |   |     |   |   |      |      |   |   |   |   |   |      |   |     |   |   |      |      |   |   |   |   |   |      |   |     |   |   |      |      |   |   |   |   |   |      |   |     |   |   |      |      |   |   |   |   |   |      |   |     |   |   |   |      |   |   |   |   |   |      |   |     |   |   |   |      |   |   |   |   |   |      |   |     |   |   |   |      |   |   |   |   |   |      |   |     |   |   |   |      |      |   |   |   |   |      |   |     |   |   |   |      |      |   |   |   |   |      |   |     |   |   |   |      |      |   |   |   |   |      |   |     |   |   |   |   |      |   |   |   |   |      |   |     |   |   |   |   |      |   |   |   |   |      |   |     |   |   |   |   |      |   |   |   |   |      |   |     |   |   |   |   |      |   |   |   |   |      |   |     |   |   |   |   |   |      |   |   |   |      |   |     |   |   |   |   |   |      |   |   |   |      |   |     |   |   |   |   |   |      |   |   |   |      |   |
| 88   | 10,4 | 94,0    | 104,0 | -      | -    | -           | - | -    | - | 101,5 | -           |      |  |  |  |  |  |  |  |  |  |  |      |     |  |  |  |  |  |  |  |  |  |  |             |  |     |     |     |     |     |     |  |  |  |  |  |   |   |   |   |   |   |   |   |   |   |   |   |    |   |        |   |   |   |   |   |   |   |   |   |    |   |        |   |   |   |   |   |   |   |   |   |    |   |        |   |   |   |   |   |   |   |   |   |    |      |       |   |   |   |   |   |   |   |       |   |    |      |       |   |   |   |   |   |   |   |       |   |    |      |       |   |   |   |   |   |   |   |       |   |    |      |       |   |   |   |   |   |   |   |       |   |    |      |       |   |   |   |   |   |   |   |       |   |    |      |       |   |   |   |   |   |   |   |       |   |    |      |       |   |   |   |   |   |   |   |       |   |    |      |      |   |   |   |   |   |   |   |       |   |    |      |      |   |   |   |   |   |   |   |       |   |    |      |      |       |   |   |   |   |   |   |       |   |    |      |      |       |   |   |   |   |   |   |       |   |    |      |      |       |   |   |   |   |   |   |       |   |    |   |      |       |   |   |   |   |   |   |       |   |    |   |      |       |   |   |   |   |   |   |      |   |    |   |      |       |   |   |   |   |   |   |      |   |     |   |      |       |   |   |   |   |   |   |      |   |     |   |      |       |   |   |   |   |   |   |      |   |     |   |      |       |   |   |   |   |   |   |      |   |     |   |      |       |   |   |   |   |   |   |      |   |     |   |   |      |      |   |   |   |   |   |      |   |     |   |   |      |      |   |   |   |   |   |      |   |     |   |   |      |      |   |   |   |   |   |      |   |     |   |   |      |      |   |   |   |   |   |      |   |     |   |   |      |      |   |   |   |   |   |      |   |     |   |   |   |      |   |   |   |   |   |      |   |     |   |   |   |      |   |   |   |   |   |      |   |     |   |   |   |      |   |   |   |   |   |      |   |     |   |   |   |      |      |   |   |   |   |      |   |     |   |   |   |      |      |   |   |   |   |      |   |     |   |   |   |      |      |   |   |   |   |      |   |     |   |   |   |   |      |   |   |   |   |      |   |     |   |   |   |   |      |   |   |   |   |      |   |     |   |   |   |   |      |   |   |   |   |      |   |     |   |   |   |   |      |   |   |   |   |      |   |     |   |   |   |   |   |      |   |   |   |      |   |     |   |   |   |   |   |      |   |   |   |      |   |     |   |   |   |   |   |      |   |   |   |      |   |
| 90   | -    | 91,7    | 104,0 | -      | -    | -           | - | -    | - | 101,0 | -           |      |  |  |  |  |  |  |  |  |  |  |      |     |  |  |  |  |  |  |  |  |  |  |             |  |     |     |     |     |     |     |  |  |  |  |  |   |   |   |   |   |   |   |   |   |   |   |   |    |   |        |   |   |   |   |   |   |   |   |   |    |   |        |   |   |   |   |   |   |   |   |   |    |   |        |   |   |   |   |   |   |   |   |   |    |      |       |   |   |   |   |   |   |   |       |   |    |      |       |   |   |   |   |   |   |   |       |   |    |      |       |   |   |   |   |   |   |   |       |   |    |      |       |   |   |   |   |   |   |   |       |   |    |      |       |   |   |   |   |   |   |   |       |   |    |      |       |   |   |   |   |   |   |   |       |   |    |      |       |   |   |   |   |   |   |   |       |   |    |      |      |   |   |   |   |   |   |   |       |   |    |      |      |   |   |   |   |   |   |   |       |   |    |      |      |       |   |   |   |   |   |   |       |   |    |      |      |       |   |   |   |   |   |   |       |   |    |      |      |       |   |   |   |   |   |   |       |   |    |   |      |       |   |   |   |   |   |   |       |   |    |   |      |       |   |   |   |   |   |   |      |   |    |   |      |       |   |   |   |   |   |   |      |   |     |   |      |       |   |   |   |   |   |   |      |   |     |   |      |       |   |   |   |   |   |   |      |   |     |   |      |       |   |   |   |   |   |   |      |   |     |   |      |       |   |   |   |   |   |   |      |   |     |   |   |      |      |   |   |   |   |   |      |   |     |   |   |      |      |   |   |   |   |   |      |   |     |   |   |      |      |   |   |   |   |   |      |   |     |   |   |      |      |   |   |   |   |   |      |   |     |   |   |      |      |   |   |   |   |   |      |   |     |   |   |   |      |   |   |   |   |   |      |   |     |   |   |   |      |   |   |   |   |   |      |   |     |   |   |   |      |   |   |   |   |   |      |   |     |   |   |   |      |      |   |   |   |   |      |   |     |   |   |   |      |      |   |   |   |   |      |   |     |   |   |   |      |      |   |   |   |   |      |   |     |   |   |   |   |      |   |   |   |   |      |   |     |   |   |   |   |      |   |   |   |   |      |   |     |   |   |   |   |      |   |   |   |   |      |   |     |   |   |   |   |      |   |   |   |   |      |   |     |   |   |   |   |   |      |   |   |   |      |   |     |   |   |   |   |   |      |   |   |   |      |   |     |   |   |   |   |   |      |   |   |   |      |   |
| 94   | -    | 87,5    | 104,0 | -      | -    | -           | - | -    | - | 99,0  | -           |      |  |  |  |  |  |  |  |  |  |  |      |     |  |  |  |  |  |  |  |  |  |  |             |  |     |     |     |     |     |     |  |  |  |  |  |   |   |   |   |   |   |   |   |   |   |   |   |    |   |        |   |   |   |   |   |   |   |   |   |    |   |        |   |   |   |   |   |   |   |   |   |    |   |        |   |   |   |   |   |   |   |   |   |    |      |       |   |   |   |   |   |   |   |       |   |    |      |       |   |   |   |   |   |   |   |       |   |    |      |       |   |   |   |   |   |   |   |       |   |    |      |       |   |   |   |   |   |   |   |       |   |    |      |       |   |   |   |   |   |   |   |       |   |    |      |       |   |   |   |   |   |   |   |       |   |    |      |       |   |   |   |   |   |   |   |       |   |    |      |      |   |   |   |   |   |   |   |       |   |    |      |      |   |   |   |   |   |   |   |       |   |    |      |      |       |   |   |   |   |   |   |       |   |    |      |      |       |   |   |   |   |   |   |       |   |    |      |      |       |   |   |   |   |   |   |       |   |    |   |      |       |   |   |   |   |   |   |       |   |    |   |      |       |   |   |   |   |   |   |      |   |    |   |      |       |   |   |   |   |   |   |      |   |     |   |      |       |   |   |   |   |   |   |      |   |     |   |      |       |   |   |   |   |   |   |      |   |     |   |      |       |   |   |   |   |   |   |      |   |     |   |      |       |   |   |   |   |   |   |      |   |     |   |   |      |      |   |   |   |   |   |      |   |     |   |   |      |      |   |   |   |   |   |      |   |     |   |   |      |      |   |   |   |   |   |      |   |     |   |   |      |      |   |   |   |   |   |      |   |     |   |   |      |      |   |   |   |   |   |      |   |     |   |   |   |      |   |   |   |   |   |      |   |     |   |   |   |      |   |   |   |   |   |      |   |     |   |   |   |      |   |   |   |   |   |      |   |     |   |   |   |      |      |   |   |   |   |      |   |     |   |   |   |      |      |   |   |   |   |      |   |     |   |   |   |      |      |   |   |   |   |      |   |     |   |   |   |   |      |   |   |   |   |      |   |     |   |   |   |   |      |   |   |   |   |      |   |     |   |   |   |   |      |   |   |   |   |      |   |     |   |   |   |   |      |   |   |   |   |      |   |     |   |   |   |   |   |      |   |   |   |      |   |     |   |   |   |   |   |      |   |   |   |      |   |     |   |   |   |   |   |      |   |   |   |      |   |
| 98   | -    | 83,2    | 104,0 | -      | -    | -           | - | -    | - | 97,5  | -           |      |  |  |  |  |  |  |  |  |  |  |      |     |  |  |  |  |  |  |  |  |  |  |             |  |     |     |     |     |     |     |  |  |  |  |  |   |   |   |   |   |   |   |   |   |   |   |   |    |   |        |   |   |   |   |   |   |   |   |   |    |   |        |   |   |   |   |   |   |   |   |   |    |   |        |   |   |   |   |   |   |   |   |   |    |      |       |   |   |   |   |   |   |   |       |   |    |      |       |   |   |   |   |   |   |   |       |   |    |      |       |   |   |   |   |   |   |   |       |   |    |      |       |   |   |   |   |   |   |   |       |   |    |      |       |   |   |   |   |   |   |   |       |   |    |      |       |   |   |   |   |   |   |   |       |   |    |      |       |   |   |   |   |   |   |   |       |   |    |      |      |   |   |   |   |   |   |   |       |   |    |      |      |   |   |   |   |   |   |   |       |   |    |      |      |       |   |   |   |   |   |   |       |   |    |      |      |       |   |   |   |   |   |   |       |   |    |      |      |       |   |   |   |   |   |   |       |   |    |   |      |       |   |   |   |   |   |   |       |   |    |   |      |       |   |   |   |   |   |   |      |   |    |   |      |       |   |   |   |   |   |   |      |   |     |   |      |       |   |   |   |   |   |   |      |   |     |   |      |       |   |   |   |   |   |   |      |   |     |   |      |       |   |   |   |   |   |   |      |   |     |   |      |       |   |   |   |   |   |   |      |   |     |   |   |      |      |   |   |   |   |   |      |   |     |   |   |      |      |   |   |   |   |   |      |   |     |   |   |      |      |   |   |   |   |   |      |   |     |   |   |      |      |   |   |   |   |   |      |   |     |   |   |      |      |   |   |   |   |   |      |   |     |   |   |   |      |   |   |   |   |   |      |   |     |   |   |   |      |   |   |   |   |   |      |   |     |   |   |   |      |   |   |   |   |   |      |   |     |   |   |   |      |      |   |   |   |   |      |   |     |   |   |   |      |      |   |   |   |   |      |   |     |   |   |   |      |      |   |   |   |   |      |   |     |   |   |   |   |      |   |   |   |   |      |   |     |   |   |   |   |      |   |   |   |   |      |   |     |   |   |   |   |      |   |   |   |   |      |   |     |   |   |   |   |      |   |   |   |   |      |   |     |   |   |   |   |   |      |   |   |   |      |   |     |   |   |   |   |   |      |   |   |   |      |   |     |   |   |   |   |   |      |   |   |   |      |   |
| 102  | -    | 79,0    | 104,0 | -      | -    | -           | - | -    | - | 96,0  | -           |      |  |  |  |  |  |  |  |  |  |  |      |     |  |  |  |  |  |  |  |  |  |  |             |  |     |     |     |     |     |     |  |  |  |  |  |   |   |   |   |   |   |   |   |   |   |   |   |    |   |        |   |   |   |   |   |   |   |   |   |    |   |        |   |   |   |   |   |   |   |   |   |    |   |        |   |   |   |   |   |   |   |   |   |    |      |       |   |   |   |   |   |   |   |       |   |    |      |       |   |   |   |   |   |   |   |       |   |    |      |       |   |   |   |   |   |   |   |       |   |    |      |       |   |   |   |   |   |   |   |       |   |    |      |       |   |   |   |   |   |   |   |       |   |    |      |       |   |   |   |   |   |   |   |       |   |    |      |       |   |   |   |   |   |   |   |       |   |    |      |      |   |   |   |   |   |   |   |       |   |    |      |      |   |   |   |   |   |   |   |       |   |    |      |      |       |   |   |   |   |   |   |       |   |    |      |      |       |   |   |   |   |   |   |       |   |    |      |      |       |   |   |   |   |   |   |       |   |    |   |      |       |   |   |   |   |   |   |       |   |    |   |      |       |   |   |   |   |   |   |      |   |    |   |      |       |   |   |   |   |   |   |      |   |     |   |      |       |   |   |   |   |   |   |      |   |     |   |      |       |   |   |   |   |   |   |      |   |     |   |      |       |   |   |   |   |   |   |      |   |     |   |      |       |   |   |   |   |   |   |      |   |     |   |   |      |      |   |   |   |   |   |      |   |     |   |   |      |      |   |   |   |   |   |      |   |     |   |   |      |      |   |   |   |   |   |      |   |     |   |   |      |      |   |   |   |   |   |      |   |     |   |   |      |      |   |   |   |   |   |      |   |     |   |   |   |      |   |   |   |   |   |      |   |     |   |   |   |      |   |   |   |   |   |      |   |     |   |   |   |      |   |   |   |   |   |      |   |     |   |   |   |      |      |   |   |   |   |      |   |     |   |   |   |      |      |   |   |   |   |      |   |     |   |   |   |      |      |   |   |   |   |      |   |     |   |   |   |   |      |   |   |   |   |      |   |     |   |   |   |   |      |   |   |   |   |      |   |     |   |   |   |   |      |   |   |   |   |      |   |     |   |   |   |   |      |   |   |   |   |      |   |     |   |   |   |   |   |      |   |   |   |      |   |     |   |   |   |   |   |      |   |   |   |      |   |     |   |   |   |   |   |      |   |   |   |      |   |
| 106  | -    | 74,7    | 103,0 | -      | -    | -           | - | -    | - | 94,0  | -           |      |  |  |  |  |  |  |  |  |  |  |      |     |  |  |  |  |  |  |  |  |  |  |             |  |     |     |     |     |     |     |  |  |  |  |  |   |   |   |   |   |   |   |   |   |   |   |   |    |   |        |   |   |   |   |   |   |   |   |   |    |   |        |   |   |   |   |   |   |   |   |   |    |   |        |   |   |   |   |   |   |   |   |   |    |      |       |   |   |   |   |   |   |   |       |   |    |      |       |   |   |   |   |   |   |   |       |   |    |      |       |   |   |   |   |   |   |   |       |   |    |      |       |   |   |   |   |   |   |   |       |   |    |      |       |   |   |   |   |   |   |   |       |   |    |      |       |   |   |   |   |   |   |   |       |   |    |      |       |   |   |   |   |   |   |   |       |   |    |      |      |   |   |   |   |   |   |   |       |   |    |      |      |   |   |   |   |   |   |   |       |   |    |      |      |       |   |   |   |   |   |   |       |   |    |      |      |       |   |   |   |   |   |   |       |   |    |      |      |       |   |   |   |   |   |   |       |   |    |   |      |       |   |   |   |   |   |   |       |   |    |   |      |       |   |   |   |   |   |   |      |   |    |   |      |       |   |   |   |   |   |   |      |   |     |   |      |       |   |   |   |   |   |   |      |   |     |   |      |       |   |   |   |   |   |   |      |   |     |   |      |       |   |   |   |   |   |   |      |   |     |   |      |       |   |   |   |   |   |   |      |   |     |   |   |      |      |   |   |   |   |   |      |   |     |   |   |      |      |   |   |   |   |   |      |   |     |   |   |      |      |   |   |   |   |   |      |   |     |   |   |      |      |   |   |   |   |   |      |   |     |   |   |      |      |   |   |   |   |   |      |   |     |   |   |   |      |   |   |   |   |   |      |   |     |   |   |   |      |   |   |   |   |   |      |   |     |   |   |   |      |   |   |   |   |   |      |   |     |   |   |   |      |      |   |   |   |   |      |   |     |   |   |   |      |      |   |   |   |   |      |   |     |   |   |   |      |      |   |   |   |   |      |   |     |   |   |   |   |      |   |   |   |   |      |   |     |   |   |   |   |      |   |   |   |   |      |   |     |   |   |   |   |      |   |   |   |   |      |   |     |   |   |   |   |      |   |   |   |   |      |   |     |   |   |   |   |   |      |   |   |   |      |   |     |   |   |   |   |   |      |   |   |   |      |   |     |   |   |   |   |   |      |   |   |   |      |   |
| 110  | -    | 69,7    | 103,0 | -      | -    | -           | - | -    | - | 91,0  | -           |      |  |  |  |  |  |  |  |  |  |  |      |     |  |  |  |  |  |  |  |  |  |  |             |  |     |     |     |     |     |     |  |  |  |  |  |   |   |   |   |   |   |   |   |   |   |   |   |    |   |        |   |   |   |   |   |   |   |   |   |    |   |        |   |   |   |   |   |   |   |   |   |    |   |        |   |   |   |   |   |   |   |   |   |    |      |       |   |   |   |   |   |   |   |       |   |    |      |       |   |   |   |   |   |   |   |       |   |    |      |       |   |   |   |   |   |   |   |       |   |    |      |       |   |   |   |   |   |   |   |       |   |    |      |       |   |   |   |   |   |   |   |       |   |    |      |       |   |   |   |   |   |   |   |       |   |    |      |       |   |   |   |   |   |   |   |       |   |    |      |      |   |   |   |   |   |   |   |       |   |    |      |      |   |   |   |   |   |   |   |       |   |    |      |      |       |   |   |   |   |   |   |       |   |    |      |      |       |   |   |   |   |   |   |       |   |    |      |      |       |   |   |   |   |   |   |       |   |    |   |      |       |   |   |   |   |   |   |       |   |    |   |      |       |   |   |   |   |   |   |      |   |    |   |      |       |   |   |   |   |   |   |      |   |     |   |      |       |   |   |   |   |   |   |      |   |     |   |      |       |   |   |   |   |   |   |      |   |     |   |      |       |   |   |   |   |   |   |      |   |     |   |      |       |   |   |   |   |   |   |      |   |     |   |   |      |      |   |   |   |   |   |      |   |     |   |   |      |      |   |   |   |   |   |      |   |     |   |   |      |      |   |   |   |   |   |      |   |     |   |   |      |      |   |   |   |   |   |      |   |     |   |   |      |      |   |   |   |   |   |      |   |     |   |   |   |      |   |   |   |   |   |      |   |     |   |   |   |      |   |   |   |   |   |      |   |     |   |   |   |      |   |   |   |   |   |      |   |     |   |   |   |      |      |   |   |   |   |      |   |     |   |   |   |      |      |   |   |   |   |      |   |     |   |   |   |      |      |   |   |   |   |      |   |     |   |   |   |   |      |   |   |   |   |      |   |     |   |   |   |   |      |   |   |   |   |      |   |     |   |   |   |   |      |   |   |   |   |      |   |     |   |   |   |   |      |   |   |   |   |      |   |     |   |   |   |   |   |      |   |   |   |      |   |     |   |   |   |   |   |      |   |   |   |      |   |     |   |   |   |   |   |      |   |   |   |      |   |
| 112  | -    | 67,0    | 103,0 | -      | -    | -           | - | -    | - | 90,2  | -           |      |  |  |  |  |  |  |  |  |  |  |      |     |  |  |  |  |  |  |  |  |  |  |             |  |     |     |     |     |     |     |  |  |  |  |  |   |   |   |   |   |   |   |   |   |   |   |   |    |   |        |   |   |   |   |   |   |   |   |   |    |   |        |   |   |   |   |   |   |   |   |   |    |   |        |   |   |   |   |   |   |   |   |   |    |      |       |   |   |   |   |   |   |   |       |   |    |      |       |   |   |   |   |   |   |   |       |   |    |      |       |   |   |   |   |   |   |   |       |   |    |      |       |   |   |   |   |   |   |   |       |   |    |      |       |   |   |   |   |   |   |   |       |   |    |      |       |   |   |   |   |   |   |   |       |   |    |      |       |   |   |   |   |   |   |   |       |   |    |      |      |   |   |   |   |   |   |   |       |   |    |      |      |   |   |   |   |   |   |   |       |   |    |      |      |       |   |   |   |   |   |   |       |   |    |      |      |       |   |   |   |   |   |   |       |   |    |      |      |       |   |   |   |   |   |   |       |   |    |   |      |       |   |   |   |   |   |   |       |   |    |   |      |       |   |   |   |   |   |   |      |   |    |   |      |       |   |   |   |   |   |   |      |   |     |   |      |       |   |   |   |   |   |   |      |   |     |   |      |       |   |   |   |   |   |   |      |   |     |   |      |       |   |   |   |   |   |   |      |   |     |   |      |       |   |   |   |   |   |   |      |   |     |   |   |      |      |   |   |   |   |   |      |   |     |   |   |      |      |   |   |   |   |   |      |   |     |   |   |      |      |   |   |   |   |   |      |   |     |   |   |      |      |   |   |   |   |   |      |   |     |   |   |      |      |   |   |   |   |   |      |   |     |   |   |   |      |   |   |   |   |   |      |   |     |   |   |   |      |   |   |   |   |   |      |   |     |   |   |   |      |   |   |   |   |   |      |   |     |   |   |   |      |      |   |   |   |   |      |   |     |   |   |   |      |      |   |   |   |   |      |   |     |   |   |   |      |      |   |   |   |   |      |   |     |   |   |   |   |      |   |   |   |   |      |   |     |   |   |   |   |      |   |   |   |   |      |   |     |   |   |   |   |      |   |   |   |   |      |   |     |   |   |   |   |      |   |   |   |   |      |   |     |   |   |   |   |   |      |   |   |   |      |   |     |   |   |   |   |   |      |   |   |   |      |   |     |   |   |   |   |   |      |   |   |   |      |   |
| 114  | -    | -       | 99,0  | 89,5   | -    | -           | - | -    | - | 89,5  | -           |      |  |  |  |  |  |  |  |  |  |  |      |     |  |  |  |  |  |  |  |  |  |  |             |  |     |     |     |     |     |     |  |  |  |  |  |   |   |   |   |   |   |   |   |   |   |   |   |    |   |        |   |   |   |   |   |   |   |   |   |    |   |        |   |   |   |   |   |   |   |   |   |    |   |        |   |   |   |   |   |   |   |   |   |    |      |       |   |   |   |   |   |   |   |       |   |    |      |       |   |   |   |   |   |   |   |       |   |    |      |       |   |   |   |   |   |   |   |       |   |    |      |       |   |   |   |   |   |   |   |       |   |    |      |       |   |   |   |   |   |   |   |       |   |    |      |       |   |   |   |   |   |   |   |       |   |    |      |       |   |   |   |   |   |   |   |       |   |    |      |      |   |   |   |   |   |   |   |       |   |    |      |      |   |   |   |   |   |   |   |       |   |    |      |      |       |   |   |   |   |   |   |       |   |    |      |      |       |   |   |   |   |   |   |       |   |    |      |      |       |   |   |   |   |   |   |       |   |    |   |      |       |   |   |   |   |   |   |       |   |    |   |      |       |   |   |   |   |   |   |      |   |    |   |      |       |   |   |   |   |   |   |      |   |     |   |      |       |   |   |   |   |   |   |      |   |     |   |      |       |   |   |   |   |   |   |      |   |     |   |      |       |   |   |   |   |   |   |      |   |     |   |      |       |   |   |   |   |   |   |      |   |     |   |   |      |      |   |   |   |   |   |      |   |     |   |   |      |      |   |   |   |   |   |      |   |     |   |   |      |      |   |   |   |   |   |      |   |     |   |   |      |      |   |   |   |   |   |      |   |     |   |   |      |      |   |   |   |   |   |      |   |     |   |   |   |      |   |   |   |   |   |      |   |     |   |   |   |      |   |   |   |   |   |      |   |     |   |   |   |      |   |   |   |   |   |      |   |     |   |   |   |      |      |   |   |   |   |      |   |     |   |   |   |      |      |   |   |   |   |      |   |     |   |   |   |      |      |   |   |   |   |      |   |     |   |   |   |   |      |   |   |   |   |      |   |     |   |   |   |   |      |   |   |   |   |      |   |     |   |   |   |   |      |   |   |   |   |      |   |     |   |   |   |   |      |   |   |   |   |      |   |     |   |   |   |   |   |      |   |   |   |      |   |     |   |   |   |   |   |      |   |   |   |      |   |     |   |   |   |   |   |      |   |   |   |      |   |
| 118  | -    | -       | 91,5  | 89,5   | -    | -           | - | -    | - | 87,5  | -           |      |  |  |  |  |  |  |  |  |  |  |      |     |  |  |  |  |  |  |  |  |  |  |             |  |     |     |     |     |     |     |  |  |  |  |  |   |   |   |   |   |   |   |   |   |   |   |   |    |   |        |   |   |   |   |   |   |   |   |   |    |   |        |   |   |   |   |   |   |   |   |   |    |   |        |   |   |   |   |   |   |   |   |   |    |      |       |   |   |   |   |   |   |   |       |   |    |      |       |   |   |   |   |   |   |   |       |   |    |      |       |   |   |   |   |   |   |   |       |   |    |      |       |   |   |   |   |   |   |   |       |   |    |      |       |   |   |   |   |   |   |   |       |   |    |      |       |   |   |   |   |   |   |   |       |   |    |      |       |   |   |   |   |   |   |   |       |   |    |      |      |   |   |   |   |   |   |   |       |   |    |      |      |   |   |   |   |   |   |   |       |   |    |      |      |       |   |   |   |   |   |   |       |   |    |      |      |       |   |   |   |   |   |   |       |   |    |      |      |       |   |   |   |   |   |   |       |   |    |   |      |       |   |   |   |   |   |   |       |   |    |   |      |       |   |   |   |   |   |   |      |   |    |   |      |       |   |   |   |   |   |   |      |   |     |   |      |       |   |   |   |   |   |   |      |   |     |   |      |       |   |   |   |   |   |   |      |   |     |   |      |       |   |   |   |   |   |   |      |   |     |   |      |       |   |   |   |   |   |   |      |   |     |   |   |      |      |   |   |   |   |   |      |   |     |   |   |      |      |   |   |   |   |   |      |   |     |   |   |      |      |   |   |   |   |   |      |   |     |   |   |      |      |   |   |   |   |   |      |   |     |   |   |      |      |   |   |   |   |   |      |   |     |   |   |   |      |   |   |   |   |   |      |   |     |   |   |   |      |   |   |   |   |   |      |   |     |   |   |   |      |   |   |   |   |   |      |   |     |   |   |   |      |      |   |   |   |   |      |   |     |   |   |   |      |      |   |   |   |   |      |   |     |   |   |   |      |      |   |   |   |   |      |   |     |   |   |   |   |      |   |   |   |   |      |   |     |   |   |   |   |      |   |   |   |   |      |   |     |   |   |   |   |      |   |   |   |   |      |   |     |   |   |   |   |      |   |   |   |   |      |   |     |   |   |   |   |   |      |   |   |   |      |   |     |   |   |   |   |   |      |   |   |   |      |   |     |   |   |   |   |   |      |   |   |   |      |   |
| 122  | -    | -       | 84,5  | 89,5   | -    | -           | - | -    | - | 86,0  | -           |      |  |  |  |  |  |  |  |  |  |  |      |     |  |  |  |  |  |  |  |  |  |  |             |  |     |     |     |     |     |     |  |  |  |  |  |   |   |   |   |   |   |   |   |   |   |   |   |    |   |        |   |   |   |   |   |   |   |   |   |    |   |        |   |   |   |   |   |   |   |   |   |    |   |        |   |   |   |   |   |   |   |   |   |    |      |       |   |   |   |   |   |   |   |       |   |    |      |       |   |   |   |   |   |   |   |       |   |    |      |       |   |   |   |   |   |   |   |       |   |    |      |       |   |   |   |   |   |   |   |       |   |    |      |       |   |   |   |   |   |   |   |       |   |    |      |       |   |   |   |   |   |   |   |       |   |    |      |       |   |   |   |   |   |   |   |       |   |    |      |      |   |   |   |   |   |   |   |       |   |    |      |      |   |   |   |   |   |   |   |       |   |    |      |      |       |   |   |   |   |   |   |       |   |    |      |      |       |   |   |   |   |   |   |       |   |    |      |      |       |   |   |   |   |   |   |       |   |    |   |      |       |   |   |   |   |   |   |       |   |    |   |      |       |   |   |   |   |   |   |      |   |    |   |      |       |   |   |   |   |   |   |      |   |     |   |      |       |   |   |   |   |   |   |      |   |     |   |      |       |   |   |   |   |   |   |      |   |     |   |      |       |   |   |   |   |   |   |      |   |     |   |      |       |   |   |   |   |   |   |      |   |     |   |   |      |      |   |   |   |   |   |      |   |     |   |   |      |      |   |   |   |   |   |      |   |     |   |   |      |      |   |   |   |   |   |      |   |     |   |   |      |      |   |   |   |   |   |      |   |     |   |   |      |      |   |   |   |   |   |      |   |     |   |   |   |      |   |   |   |   |   |      |   |     |   |   |   |      |   |   |   |   |   |      |   |     |   |   |   |      |   |   |   |   |   |      |   |     |   |   |   |      |      |   |   |   |   |      |   |     |   |   |   |      |      |   |   |   |   |      |   |     |   |   |   |      |      |   |   |   |   |      |   |     |   |   |   |   |      |   |   |   |   |      |   |     |   |   |   |   |      |   |   |   |   |      |   |     |   |   |   |   |      |   |   |   |   |      |   |     |   |   |   |   |      |   |   |   |   |      |   |     |   |   |   |   |   |      |   |   |   |      |   |     |   |   |   |   |   |      |   |   |   |      |   |     |   |   |   |   |   |      |   |   |   |      |   |
| 126  | -    | -       | 78,0  | 89,5   | -    | -           | - | -    | - | 83,0  | -           |      |  |  |  |  |  |  |  |  |  |  |      |     |  |  |  |  |  |  |  |  |  |  |             |  |     |     |     |     |     |     |  |  |  |  |  |   |   |   |   |   |   |   |   |   |   |   |   |    |   |        |   |   |   |   |   |   |   |   |   |    |   |        |   |   |   |   |   |   |   |   |   |    |   |        |   |   |   |   |   |   |   |   |   |    |      |       |   |   |   |   |   |   |   |       |   |    |      |       |   |   |   |   |   |   |   |       |   |    |      |       |   |   |   |   |   |   |   |       |   |    |      |       |   |   |   |   |   |   |   |       |   |    |      |       |   |   |   |   |   |   |   |       |   |    |      |       |   |   |   |   |   |   |   |       |   |    |      |       |   |   |   |   |   |   |   |       |   |    |      |      |   |   |   |   |   |   |   |       |   |    |      |      |   |   |   |   |   |   |   |       |   |    |      |      |       |   |   |   |   |   |   |       |   |    |      |      |       |   |   |   |   |   |   |       |   |    |      |      |       |   |   |   |   |   |   |       |   |    |   |      |       |   |   |   |   |   |   |       |   |    |   |      |       |   |   |   |   |   |   |      |   |    |   |      |       |   |   |   |   |   |   |      |   |     |   |      |       |   |   |   |   |   |   |      |   |     |   |      |       |   |   |   |   |   |   |      |   |     |   |      |       |   |   |   |   |   |   |      |   |     |   |      |       |   |   |   |   |   |   |      |   |     |   |   |      |      |   |   |   |   |   |      |   |     |   |   |      |      |   |   |   |   |   |      |   |     |   |   |      |      |   |   |   |   |   |      |   |     |   |   |      |      |   |   |   |   |   |      |   |     |   |   |      |      |   |   |   |   |   |      |   |     |   |   |   |      |   |   |   |   |   |      |   |     |   |   |   |      |   |   |   |   |   |      |   |     |   |   |   |      |   |   |   |   |   |      |   |     |   |   |   |      |      |   |   |   |   |      |   |     |   |   |   |      |      |   |   |   |   |      |   |     |   |   |   |      |      |   |   |   |   |      |   |     |   |   |   |   |      |   |   |   |   |      |   |     |   |   |   |   |      |   |   |   |   |      |   |     |   |   |   |   |      |   |   |   |   |      |   |     |   |   |   |   |      |   |   |   |   |      |   |     |   |   |   |   |   |      |   |   |   |      |   |     |   |   |   |   |   |      |   |   |   |      |   |     |   |   |   |   |   |      |   |   |   |      |   |
| 128  | -    | -       | 73,5  | 89,5   | -    | -           | - | -    | - | 79,5  | -           |      |  |  |  |  |  |  |  |  |  |  |      |     |  |  |  |  |  |  |  |  |  |  |             |  |     |     |     |     |     |     |  |  |  |  |  |   |   |   |   |   |   |   |   |   |   |   |   |    |   |        |   |   |   |   |   |   |   |   |   |    |   |        |   |   |   |   |   |   |   |   |   |    |   |        |   |   |   |   |   |   |   |   |   |    |      |       |   |   |   |   |   |   |   |       |   |    |      |       |   |   |   |   |   |   |   |       |   |    |      |       |   |   |   |   |   |   |   |       |   |    |      |       |   |   |   |   |   |   |   |       |   |    |      |       |   |   |   |   |   |   |   |       |   |    |      |       |   |   |   |   |   |   |   |       |   |    |      |       |   |   |   |   |   |   |   |       |   |    |      |      |   |   |   |   |   |   |   |       |   |    |      |      |   |   |   |   |   |   |   |       |   |    |      |      |       |   |   |   |   |   |   |       |   |    |      |      |       |   |   |   |   |   |   |       |   |    |      |      |       |   |   |   |   |   |   |       |   |    |   |      |       |   |   |   |   |   |   |       |   |    |   |      |       |   |   |   |   |   |   |      |   |    |   |      |       |   |   |   |   |   |   |      |   |     |   |      |       |   |   |   |   |   |   |      |   |     |   |      |       |   |   |   |   |   |   |      |   |     |   |      |       |   |   |   |   |   |   |      |   |     |   |      |       |   |   |   |   |   |   |      |   |     |   |   |      |      |   |   |   |   |   |      |   |     |   |   |      |      |   |   |   |   |   |      |   |     |   |   |      |      |   |   |   |   |   |      |   |     |   |   |      |      |   |   |   |   |   |      |   |     |   |   |      |      |   |   |   |   |   |      |   |     |   |   |   |      |   |   |   |   |   |      |   |     |   |   |   |      |   |   |   |   |   |      |   |     |   |   |   |      |   |   |   |   |   |      |   |     |   |   |   |      |      |   |   |   |   |      |   |     |   |   |   |      |      |   |   |   |   |      |   |     |   |   |   |      |      |   |   |   |   |      |   |     |   |   |   |   |      |   |   |   |   |      |   |     |   |   |   |   |      |   |   |   |   |      |   |     |   |   |   |   |      |   |   |   |   |      |   |     |   |   |   |   |      |   |   |   |   |      |   |     |   |   |   |   |   |      |   |   |   |      |   |     |   |   |   |   |   |      |   |   |   |      |   |     |   |   |   |   |   |      |   |   |   |      |   |
| 130  | -    | -       | -     | 88,0   | -    | -           | - | -    | - | 76,0  | -           |      |  |  |  |  |  |  |  |  |  |  |      |     |  |  |  |  |  |  |  |  |  |  |             |  |     |     |     |     |     |     |  |  |  |  |  |   |   |   |   |   |   |   |   |   |   |   |   |    |   |        |   |   |   |   |   |   |   |   |   |    |   |        |   |   |   |   |   |   |   |   |   |    |   |        |   |   |   |   |   |   |   |   |   |    |      |       |   |   |   |   |   |   |   |       |   |    |      |       |   |   |   |   |   |   |   |       |   |    |      |       |   |   |   |   |   |   |   |       |   |    |      |       |   |   |   |   |   |   |   |       |   |    |      |       |   |   |   |   |   |   |   |       |   |    |      |       |   |   |   |   |   |   |   |       |   |    |      |       |   |   |   |   |   |   |   |       |   |    |      |      |   |   |   |   |   |   |   |       |   |    |      |      |   |   |   |   |   |   |   |       |   |    |      |      |       |   |   |   |   |   |   |       |   |    |      |      |       |   |   |   |   |   |   |       |   |    |      |      |       |   |   |   |   |   |   |       |   |    |   |      |       |   |   |   |   |   |   |       |   |    |   |      |       |   |   |   |   |   |   |      |   |    |   |      |       |   |   |   |   |   |   |      |   |     |   |      |       |   |   |   |   |   |   |      |   |     |   |      |       |   |   |   |   |   |   |      |   |     |   |      |       |   |   |   |   |   |   |      |   |     |   |      |       |   |   |   |   |   |   |      |   |     |   |   |      |      |   |   |   |   |   |      |   |     |   |   |      |      |   |   |   |   |   |      |   |     |   |   |      |      |   |   |   |   |   |      |   |     |   |   |      |      |   |   |   |   |   |      |   |     |   |   |      |      |   |   |   |   |   |      |   |     |   |   |   |      |   |   |   |   |   |      |   |     |   |   |   |      |   |   |   |   |   |      |   |     |   |   |   |      |   |   |   |   |   |      |   |     |   |   |   |      |      |   |   |   |   |      |   |     |   |   |   |      |      |   |   |   |   |      |   |     |   |   |   |      |      |   |   |   |   |      |   |     |   |   |   |   |      |   |   |   |   |      |   |     |   |   |   |   |      |   |   |   |   |      |   |     |   |   |   |   |      |   |   |   |   |      |   |     |   |   |   |   |      |   |   |   |   |      |   |     |   |   |   |   |   |      |   |   |   |      |   |     |   |   |   |   |   |      |   |   |   |      |   |     |   |   |   |   |   |      |   |   |   |      |   |
| 134  | -    | -       | -     | 83,5   | -    | -           | - | -    | - | 69,5  | -           |      |  |  |  |  |  |  |  |  |  |  |      |     |  |  |  |  |  |  |  |  |  |  |             |  |     |     |     |     |     |     |  |  |  |  |  |   |   |   |   |   |   |   |   |   |   |   |   |    |   |        |   |   |   |   |   |   |   |   |   |    |   |        |   |   |   |   |   |   |   |   |   |    |   |        |   |   |   |   |   |   |   |   |   |    |      |       |   |   |   |   |   |   |   |       |   |    |      |       |   |   |   |   |   |   |   |       |   |    |      |       |   |   |   |   |   |   |   |       |   |    |      |       |   |   |   |   |   |   |   |       |   |    |      |       |   |   |   |   |   |   |   |       |   |    |      |       |   |   |   |   |   |   |   |       |   |    |      |       |   |   |   |   |   |   |   |       |   |    |      |      |   |   |   |   |   |   |   |       |   |    |      |      |   |   |   |   |   |   |   |       |   |    |      |      |       |   |   |   |   |   |   |       |   |    |      |      |       |   |   |   |   |   |   |       |   |    |      |      |       |   |   |   |   |   |   |       |   |    |   |      |       |   |   |   |   |   |   |       |   |    |   |      |       |   |   |   |   |   |   |      |   |    |   |      |       |   |   |   |   |   |   |      |   |     |   |      |       |   |   |   |   |   |   |      |   |     |   |      |       |   |   |   |   |   |   |      |   |     |   |      |       |   |   |   |   |   |   |      |   |     |   |      |       |   |   |   |   |   |   |      |   |     |   |   |      |      |   |   |   |   |   |      |   |     |   |   |      |      |   |   |   |   |   |      |   |     |   |   |      |      |   |   |   |   |   |      |   |     |   |   |      |      |   |   |   |   |   |      |   |     |   |   |      |      |   |   |   |   |   |      |   |     |   |   |   |      |   |   |   |   |   |      |   |     |   |   |   |      |   |   |   |   |   |      |   |     |   |   |   |      |   |   |   |   |   |      |   |     |   |   |   |      |      |   |   |   |   |      |   |     |   |   |   |      |      |   |   |   |   |      |   |     |   |   |   |      |      |   |   |   |   |      |   |     |   |   |   |   |      |   |   |   |   |      |   |     |   |   |   |   |      |   |   |   |   |      |   |     |   |   |   |   |      |   |   |   |   |      |   |     |   |   |   |   |      |   |   |   |   |      |   |     |   |   |   |   |   |      |   |   |   |      |   |     |   |   |   |   |   |      |   |   |   |      |   |     |   |   |   |   |   |      |   |   |   |      |   |
| 138  | -    | -       | -     | 79,5   | -    | -           | - | -    | - | 63,5  | -           |      |  |  |  |  |  |  |  |  |  |  |      |     |  |  |  |  |  |  |  |  |  |  |             |  |     |     |     |     |     |     |  |  |  |  |  |   |   |   |   |   |   |   |   |   |   |   |   |    |   |        |   |   |   |   |   |   |   |   |   |    |   |        |   |   |   |   |   |   |   |   |   |    |   |        |   |   |   |   |   |   |   |   |   |    |      |       |   |   |   |   |   |   |   |       |   |    |      |       |   |   |   |   |   |   |   |       |   |    |      |       |   |   |   |   |   |   |   |       |   |    |      |       |   |   |   |   |   |   |   |       |   |    |      |       |   |   |   |   |   |   |   |       |   |    |      |       |   |   |   |   |   |   |   |       |   |    |      |       |   |   |   |   |   |   |   |       |   |    |      |      |   |   |   |   |   |   |   |       |   |    |      |      |   |   |   |   |   |   |   |       |   |    |      |      |       |   |   |   |   |   |   |       |   |    |      |      |       |   |   |   |   |   |   |       |   |    |      |      |       |   |   |   |   |   |   |       |   |    |   |      |       |   |   |   |   |   |   |       |   |    |   |      |       |   |   |   |   |   |   |      |   |    |   |      |       |   |   |   |   |   |   |      |   |     |   |      |       |   |   |   |   |   |   |      |   |     |   |      |       |   |   |   |   |   |   |      |   |     |   |      |       |   |   |   |   |   |   |      |   |     |   |      |       |   |   |   |   |   |   |      |   |     |   |   |      |      |   |   |   |   |   |      |   |     |   |   |      |      |   |   |   |   |   |      |   |     |   |   |      |      |   |   |   |   |   |      |   |     |   |   |      |      |   |   |   |   |   |      |   |     |   |   |      |      |   |   |   |   |   |      |   |     |   |   |   |      |   |   |   |   |   |      |   |     |   |   |   |      |   |   |   |   |   |      |   |     |   |   |   |      |   |   |   |   |   |      |   |     |   |   |   |      |      |   |   |   |   |      |   |     |   |   |   |      |      |   |   |   |   |      |   |     |   |   |   |      |      |   |   |   |   |      |   |     |   |   |   |   |      |   |   |   |   |      |   |     |   |   |   |   |      |   |   |   |   |      |   |     |   |   |   |   |      |   |   |   |   |      |   |     |   |   |   |   |      |   |   |   |   |      |   |     |   |   |   |   |   |      |   |   |   |      |   |     |   |   |   |   |   |      |   |   |   |      |   |     |   |   |   |   |   |      |   |   |   |      |   |
| 140  | -    | -       | -     | 77,5   | 62,0 | -           | - | -    | - | 60,7  | -           |      |  |  |  |  |  |  |  |  |  |  |      |     |  |  |  |  |  |  |  |  |  |  |             |  |     |     |     |     |     |     |  |  |  |  |  |   |   |   |   |   |   |   |   |   |   |   |   |    |   |        |   |   |   |   |   |   |   |   |   |    |   |        |   |   |   |   |   |   |   |   |   |    |   |        |   |   |   |   |   |   |   |   |   |    |      |       |   |   |   |   |   |   |   |       |   |    |      |       |   |   |   |   |   |   |   |       |   |    |      |       |   |   |   |   |   |   |   |       |   |    |      |       |   |   |   |   |   |   |   |       |   |    |      |       |   |   |   |   |   |   |   |       |   |    |      |       |   |   |   |   |   |   |   |       |   |    |      |       |   |   |   |   |   |   |   |       |   |    |      |      |   |   |   |   |   |   |   |       |   |    |      |      |   |   |   |   |   |   |   |       |   |    |      |      |       |   |   |   |   |   |   |       |   |    |      |      |       |   |   |   |   |   |   |       |   |    |      |      |       |   |   |   |   |   |   |       |   |    |   |      |       |   |   |   |   |   |   |       |   |    |   |      |       |   |   |   |   |   |   |      |   |    |   |      |       |   |   |   |   |   |   |      |   |     |   |      |       |   |   |   |   |   |   |      |   |     |   |      |       |   |   |   |   |   |   |      |   |     |   |      |       |   |   |   |   |   |   |      |   |     |   |      |       |   |   |   |   |   |   |      |   |     |   |   |      |      |   |   |   |   |   |      |   |     |   |   |      |      |   |   |   |   |   |      |   |     |   |   |      |      |   |   |   |   |   |      |   |     |   |   |      |      |   |   |   |   |   |      |   |     |   |   |      |      |   |   |   |   |   |      |   |     |   |   |   |      |   |   |   |   |   |      |   |     |   |   |   |      |   |   |   |   |   |      |   |     |   |   |   |      |   |   |   |   |   |      |   |     |   |   |   |      |      |   |   |   |   |      |   |     |   |   |   |      |      |   |   |   |   |      |   |     |   |   |   |      |      |   |   |   |   |      |   |     |   |   |   |   |      |   |   |   |   |      |   |     |   |   |   |   |      |   |   |   |   |      |   |     |   |   |   |   |      |   |   |   |   |      |   |     |   |   |   |   |      |   |   |   |   |      |   |     |   |   |   |   |   |      |   |   |   |      |   |     |   |   |   |   |   |      |   |   |   |      |   |     |   |   |   |   |   |      |   |   |   |      |   |
| 142  | -    | -       | -     | 76,0   | 60,5 | -           | - | -    | - | 58,0  | -           |      |  |  |  |  |  |  |  |  |  |  |      |     |  |  |  |  |  |  |  |  |  |  |             |  |     |     |     |     |     |     |  |  |  |  |  |   |   |   |   |   |   |   |   |   |   |   |   |    |   |        |   |   |   |   |   |   |   |   |   |    |   |        |   |   |   |   |   |   |   |   |   |    |   |        |   |   |   |   |   |   |   |   |   |    |      |       |   |   |   |   |   |   |   |       |   |    |      |       |   |   |   |   |   |   |   |       |   |    |      |       |   |   |   |   |   |   |   |       |   |    |      |       |   |   |   |   |   |   |   |       |   |    |      |       |   |   |   |   |   |   |   |       |   |    |      |       |   |   |   |   |   |   |   |       |   |    |      |       |   |   |   |   |   |   |   |       |   |    |      |      |   |   |   |   |   |   |   |       |   |    |      |      |   |   |   |   |   |   |   |       |   |    |      |      |       |   |   |   |   |   |   |       |   |    |      |      |       |   |   |   |   |   |   |       |   |    |      |      |       |   |   |   |   |   |   |       |   |    |   |      |       |   |   |   |   |   |   |       |   |    |   |      |       |   |   |   |   |   |   |      |   |    |   |      |       |   |   |   |   |   |   |      |   |     |   |      |       |   |   |   |   |   |   |      |   |     |   |      |       |   |   |   |   |   |   |      |   |     |   |      |       |   |   |   |   |   |   |      |   |     |   |      |       |   |   |   |   |   |   |      |   |     |   |   |      |      |   |   |   |   |   |      |   |     |   |   |      |      |   |   |   |   |   |      |   |     |   |   |      |      |   |   |   |   |   |      |   |     |   |   |      |      |   |   |   |   |   |      |   |     |   |   |      |      |   |   |   |   |   |      |   |     |   |   |   |      |   |   |   |   |   |      |   |     |   |   |   |      |   |   |   |   |   |      |   |     |   |   |   |      |   |   |   |   |   |      |   |     |   |   |   |      |      |   |   |   |   |      |   |     |   |   |   |      |      |   |   |   |   |      |   |     |   |   |   |      |      |   |   |   |   |      |   |     |   |   |   |   |      |   |   |   |   |      |   |     |   |   |   |   |      |   |   |   |   |      |   |     |   |   |   |   |      |   |   |   |   |      |   |     |   |   |   |   |      |   |   |   |   |      |   |     |   |   |   |   |   |      |   |   |   |      |   |     |   |   |   |   |   |      |   |   |   |      |   |     |   |   |   |   |   |      |   |   |   |      |   |
| 144  | -    | -       | -     | 74,5   | 59,0 | -           | - | -    | - | 54,5  | -           |      |  |  |  |  |  |  |  |  |  |  |      |     |  |  |  |  |  |  |  |  |  |  |             |  |     |     |     |     |     |     |  |  |  |  |  |   |   |   |   |   |   |   |   |   |   |   |   |    |   |        |   |   |   |   |   |   |   |   |   |    |   |        |   |   |   |   |   |   |   |   |   |    |   |        |   |   |   |   |   |   |   |   |   |    |      |       |   |   |   |   |   |   |   |       |   |    |      |       |   |   |   |   |   |   |   |       |   |    |      |       |   |   |   |   |   |   |   |       |   |    |      |       |   |   |   |   |   |   |   |       |   |    |      |       |   |   |   |   |   |   |   |       |   |    |      |       |   |   |   |   |   |   |   |       |   |    |      |       |   |   |   |   |   |   |   |       |   |    |      |      |   |   |   |   |   |   |   |       |   |    |      |      |   |   |   |   |   |   |   |       |   |    |      |      |       |   |   |   |   |   |   |       |   |    |      |      |       |   |   |   |   |   |   |       |   |    |      |      |       |   |   |   |   |   |   |       |   |    |   |      |       |   |   |   |   |   |   |       |   |    |   |      |       |   |   |   |   |   |   |      |   |    |   |      |       |   |   |   |   |   |   |      |   |     |   |      |       |   |   |   |   |   |   |      |   |     |   |      |       |   |   |   |   |   |   |      |   |     |   |      |       |   |   |   |   |   |   |      |   |     |   |      |       |   |   |   |   |   |   |      |   |     |   |   |      |      |   |   |   |   |   |      |   |     |   |   |      |      |   |   |   |   |   |      |   |     |   |   |      |      |   |   |   |   |   |      |   |     |   |   |      |      |   |   |   |   |   |      |   |     |   |   |      |      |   |   |   |   |   |      |   |     |   |   |   |      |   |   |   |   |   |      |   |     |   |   |   |      |   |   |   |   |   |      |   |     |   |   |   |      |   |   |   |   |   |      |   |     |   |   |   |      |      |   |   |   |   |      |   |     |   |   |   |      |      |   |   |   |   |      |   |     |   |   |   |      |      |   |   |   |   |      |   |     |   |   |   |   |      |   |   |   |   |      |   |     |   |   |   |   |      |   |   |   |   |      |   |     |   |   |   |   |      |   |   |   |   |      |   |     |   |   |   |   |      |   |   |   |   |      |   |     |   |   |   |   |   |      |   |   |   |      |   |     |   |   |   |   |   |      |   |   |   |      |   |     |   |   |   |   |   |      |   |   |   |      |   |
| 146  | -    | -       | -     | -      | 57,5 | -           | - | -    | - | 51,0  | -           |      |  |  |  |  |  |  |  |  |  |  |      |     |  |  |  |  |  |  |  |  |  |  |             |  |     |     |     |     |     |     |  |  |  |  |  |   |   |   |   |   |   |   |   |   |   |   |   |    |   |        |   |   |   |   |   |   |   |   |   |    |   |        |   |   |   |   |   |   |   |   |   |    |   |        |   |   |   |   |   |   |   |   |   |    |      |       |   |   |   |   |   |   |   |       |   |    |      |       |   |   |   |   |   |   |   |       |   |    |      |       |   |   |   |   |   |   |   |       |   |    |      |       |   |   |   |   |   |   |   |       |   |    |      |       |   |   |   |   |   |   |   |       |   |    |      |       |   |   |   |   |   |   |   |       |   |    |      |       |   |   |   |   |   |   |   |       |   |    |      |      |   |   |   |   |   |   |   |       |   |    |      |      |   |   |   |   |   |   |   |       |   |    |      |      |       |   |   |   |   |   |   |       |   |    |      |      |       |   |   |   |   |   |   |       |   |    |      |      |       |   |   |   |   |   |   |       |   |    |   |      |       |   |   |   |   |   |   |       |   |    |   |      |       |   |   |   |   |   |   |      |   |    |   |      |       |   |   |   |   |   |   |      |   |     |   |      |       |   |   |   |   |   |   |      |   |     |   |      |       |   |   |   |   |   |   |      |   |     |   |      |       |   |   |   |   |   |   |      |   |     |   |      |       |   |   |   |   |   |   |      |   |     |   |   |      |      |   |   |   |   |   |      |   |     |   |   |      |      |   |   |   |   |   |      |   |     |   |   |      |      |   |   |   |   |   |      |   |     |   |   |      |      |   |   |   |   |   |      |   |     |   |   |      |      |   |   |   |   |   |      |   |     |   |   |   |      |   |   |   |   |   |      |   |     |   |   |   |      |   |   |   |   |   |      |   |     |   |   |   |      |   |   |   |   |   |      |   |     |   |   |   |      |      |   |   |   |   |      |   |     |   |   |   |      |      |   |   |   |   |      |   |     |   |   |   |      |      |   |   |   |   |      |   |     |   |   |   |   |      |   |   |   |   |      |   |     |   |   |   |   |      |   |   |   |   |      |   |     |   |   |   |   |      |   |   |   |   |      |   |     |   |   |   |   |      |   |   |   |   |      |   |     |   |   |   |   |   |      |   |   |   |      |   |     |   |   |   |   |   |      |   |   |   |      |   |     |   |   |   |   |   |      |   |   |   |      |   |
| 150  | -    | -       | -     | -      | 54,5 | -           | - | -    | - | 44,0  | -           |      |  |  |  |  |  |  |  |  |  |  |      |     |  |  |  |  |  |  |  |  |  |  |             |  |     |     |     |     |     |     |  |  |  |  |  |   |   |   |   |   |   |   |   |   |   |   |   |    |   |        |   |   |   |   |   |   |   |   |   |    |   |        |   |   |   |   |   |   |   |   |   |    |   |        |   |   |   |   |   |   |   |   |   |    |      |       |   |   |   |   |   |   |   |       |   |    |      |       |   |   |   |   |   |   |   |       |   |    |      |       |   |   |   |   |   |   |   |       |   |    |      |       |   |   |   |   |   |   |   |       |   |    |      |       |   |   |   |   |   |   |   |       |   |    |      |       |   |   |   |   |   |   |   |       |   |    |      |       |   |   |   |   |   |   |   |       |   |    |      |      |   |   |   |   |   |   |   |       |   |    |      |      |   |   |   |   |   |   |   |       |   |    |      |      |       |   |   |   |   |   |   |       |   |    |      |      |       |   |   |   |   |   |   |       |   |    |      |      |       |   |   |   |   |   |   |       |   |    |   |      |       |   |   |   |   |   |   |       |   |    |   |      |       |   |   |   |   |   |   |      |   |    |   |      |       |   |   |   |   |   |   |      |   |     |   |      |       |   |   |   |   |   |   |      |   |     |   |      |       |   |   |   |   |   |   |      |   |     |   |      |       |   |   |   |   |   |   |      |   |     |   |      |       |   |   |   |   |   |   |      |   |     |   |   |      |      |   |   |   |   |   |      |   |     |   |   |      |      |   |   |   |   |   |      |   |     |   |   |      |      |   |   |   |   |   |      |   |     |   |   |      |      |   |   |   |   |   |      |   |     |   |   |      |      |   |   |   |   |   |      |   |     |   |   |   |      |   |   |   |   |   |      |   |     |   |   |   |      |   |   |   |   |   |      |   |     |   |   |   |      |   |   |   |   |   |      |   |     |   |   |   |      |      |   |   |   |   |      |   |     |   |   |   |      |      |   |   |   |   |      |   |     |   |   |   |      |      |   |   |   |   |      |   |     |   |   |   |   |      |   |   |   |   |      |   |     |   |   |   |   |      |   |   |   |   |      |   |     |   |   |   |   |      |   |   |   |   |      |   |     |   |   |   |   |      |   |   |   |   |      |   |     |   |   |   |   |   |      |   |   |   |      |   |     |   |   |   |   |   |      |   |   |   |      |   |     |   |   |   |   |   |      |   |   |   |      |   |
| 154  | -    | -       | -     | -      | 51,5 | -           | - | -    | - | 37,1  | -           |      |  |  |  |  |  |  |  |  |  |  |      |     |  |  |  |  |  |  |  |  |  |  |             |  |     |     |     |     |     |     |  |  |  |  |  |   |   |   |   |   |   |   |   |   |   |   |   |    |   |        |   |   |   |   |   |   |   |   |   |    |   |        |   |   |   |   |   |   |   |   |   |    |   |        |   |   |   |   |   |   |   |   |   |    |      |       |   |   |   |   |   |   |   |       |   |    |      |       |   |   |   |   |   |   |   |       |   |    |      |       |   |   |   |   |   |   |   |       |   |    |      |       |   |   |   |   |   |   |   |       |   |    |      |       |   |   |   |   |   |   |   |       |   |    |      |       |   |   |   |   |   |   |   |       |   |    |      |       |   |   |   |   |   |   |   |       |   |    |      |      |   |   |   |   |   |   |   |       |   |    |      |      |   |   |   |   |   |   |   |       |   |    |      |      |       |   |   |   |   |   |   |       |   |    |      |      |       |   |   |   |   |   |   |       |   |    |      |      |       |   |   |   |   |   |   |       |   |    |   |      |       |   |   |   |   |   |   |       |   |    |   |      |       |   |   |   |   |   |   |      |   |    |   |      |       |   |   |   |   |   |   |      |   |     |   |      |       |   |   |   |   |   |   |      |   |     |   |      |       |   |   |   |   |   |   |      |   |     |   |      |       |   |   |   |   |   |   |      |   |     |   |      |       |   |   |   |   |   |   |      |   |     |   |   |      |      |   |   |   |   |   |      |   |     |   |   |      |      |   |   |   |   |   |      |   |     |   |   |      |      |   |   |   |   |   |      |   |     |   |   |      |      |   |   |   |   |   |      |   |     |   |   |      |      |   |   |   |   |   |      |   |     |   |   |   |      |   |   |   |   |   |      |   |     |   |   |   |      |   |   |   |   |   |      |   |     |   |   |   |      |   |   |   |   |   |      |   |     |   |   |   |      |      |   |   |   |   |      |   |     |   |   |   |      |      |   |   |   |   |      |   |     |   |   |   |      |      |   |   |   |   |      |   |     |   |   |   |   |      |   |   |   |   |      |   |     |   |   |   |   |      |   |   |   |   |      |   |     |   |   |   |   |      |   |   |   |   |      |   |     |   |   |   |   |      |   |   |   |   |      |   |     |   |   |   |   |   |      |   |   |   |      |   |     |   |   |   |   |   |      |   |   |   |      |   |     |   |   |   |   |   |      |   |   |   |      |   |
| 158  | -    | -       | -     | -      | 48,8 | -           | - | -    | - | 30,4  | -           |      |  |  |  |  |  |  |  |  |  |  |      |     |  |  |  |  |  |  |  |  |  |  |             |  |     |     |     |     |     |     |  |  |  |  |  |   |   |   |   |   |   |   |   |   |   |   |   |    |   |        |   |   |   |   |   |   |   |   |   |    |   |        |   |   |   |   |   |   |   |   |   |    |   |        |   |   |   |   |   |   |   |   |   |    |      |       |   |   |   |   |   |   |   |       |   |    |      |       |   |   |   |   |   |   |   |       |   |    |      |       |   |   |   |   |   |   |   |       |   |    |      |       |   |   |   |   |   |   |   |       |   |    |      |       |   |   |   |   |   |   |   |       |   |    |      |       |   |   |   |   |   |   |   |       |   |    |      |       |   |   |   |   |   |   |   |       |   |    |      |      |   |   |   |   |   |   |   |       |   |    |      |      |   |   |   |   |   |   |   |       |   |    |      |      |       |   |   |   |   |   |   |       |   |    |      |      |       |   |   |   |   |   |   |       |   |    |      |      |       |   |   |   |   |   |   |       |   |    |   |      |       |   |   |   |   |   |   |       |   |    |   |      |       |   |   |   |   |   |   |      |   |    |   |      |       |   |   |   |   |   |   |      |   |     |   |      |       |   |   |   |   |   |   |      |   |     |   |      |       |   |   |   |   |   |   |      |   |     |   |      |       |   |   |   |   |   |   |      |   |     |   |      |       |   |   |   |   |   |   |      |   |     |   |   |      |      |   |   |   |   |   |      |   |     |   |   |      |      |   |   |   |   |   |      |   |     |   |   |      |      |   |   |   |   |   |      |   |     |   |   |      |      |   |   |   |   |   |      |   |     |   |   |      |      |   |   |   |   |   |      |   |     |   |   |   |      |   |   |   |   |   |      |   |     |   |   |   |      |   |   |   |   |   |      |   |     |   |   |   |      |   |   |   |   |   |      |   |     |   |   |   |      |      |   |   |   |   |      |   |     |   |   |   |      |      |   |   |   |   |      |   |     |   |   |   |      |      |   |   |   |   |      |   |     |   |   |   |   |      |   |   |   |   |      |   |     |   |   |   |   |      |   |   |   |   |      |   |     |   |   |   |   |      |   |   |   |   |      |   |     |   |   |   |   |      |   |   |   |   |      |   |     |   |   |   |   |   |      |   |   |   |      |   |     |   |   |   |   |   |      |   |   |   |      |   |     |   |   |   |   |   |      |   |   |   |      |   |
| 162  | -    | -       | -     | -      | -    | 25,2        | - | -    | - | 23,8  | -           |      |  |  |  |  |  |  |  |  |  |  |      |     |  |  |  |  |  |  |  |  |  |  |             |  |     |     |     |     |     |     |  |  |  |  |  |   |   |   |   |   |   |   |   |   |   |   |   |    |   |        |   |   |   |   |   |   |   |   |   |    |   |        |   |   |   |   |   |   |   |   |   |    |   |        |   |   |   |   |   |   |   |   |   |    |      |       |   |   |   |   |   |   |   |       |   |    |      |       |   |   |   |   |   |   |   |       |   |    |      |       |   |   |   |   |   |   |   |       |   |    |      |       |   |   |   |   |   |   |   |       |   |    |      |       |   |   |   |   |   |   |   |       |   |    |      |       |   |   |   |   |   |   |   |       |   |    |      |       |   |   |   |   |   |   |   |       |   |    |      |      |   |   |   |   |   |   |   |       |   |    |      |      |   |   |   |   |   |   |   |       |   |    |      |      |       |   |   |   |   |   |   |       |   |    |      |      |       |   |   |   |   |   |   |       |   |    |      |      |       |   |   |   |   |   |   |       |   |    |   |      |       |   |   |   |   |   |   |       |   |    |   |      |       |   |   |   |   |   |   |      |   |    |   |      |       |   |   |   |   |   |   |      |   |     |   |      |       |   |   |   |   |   |   |      |   |     |   |      |       |   |   |   |   |   |   |      |   |     |   |      |       |   |   |   |   |   |   |      |   |     |   |      |       |   |   |   |   |   |   |      |   |     |   |   |      |      |   |   |   |   |   |      |   |     |   |   |      |      |   |   |   |   |   |      |   |     |   |   |      |      |   |   |   |   |   |      |   |     |   |   |      |      |   |   |   |   |   |      |   |     |   |   |      |      |   |   |   |   |   |      |   |     |   |   |   |      |   |   |   |   |   |      |   |     |   |   |   |      |   |   |   |   |   |      |   |     |   |   |   |      |   |   |   |   |   |      |   |     |   |   |   |      |      |   |   |   |   |      |   |     |   |   |   |      |      |   |   |   |   |      |   |     |   |   |   |      |      |   |   |   |   |      |   |     |   |   |   |   |      |   |   |   |   |      |   |     |   |   |   |   |      |   |   |   |   |      |   |     |   |   |   |   |      |   |   |   |   |      |   |     |   |   |   |   |      |   |   |   |   |      |   |     |   |   |   |   |   |      |   |   |   |      |   |     |   |   |   |   |   |      |   |   |   |      |   |     |   |   |   |   |   |      |   |   |   |      |   |
| 166  | -    | -       | -     | -      | -    | 23,0        | - | -    | - | 17,4  | -           |      |  |  |  |  |  |  |  |  |  |  |      |     |  |  |  |  |  |  |  |  |  |  |             |  |     |     |     |     |     |     |  |  |  |  |  |   |   |   |   |   |   |   |   |   |   |   |   |    |   |        |   |   |   |   |   |   |   |   |   |    |   |        |   |   |   |   |   |   |   |   |   |    |   |        |   |   |   |   |   |   |   |   |   |    |      |       |   |   |   |   |   |   |   |       |   |    |      |       |   |   |   |   |   |   |   |       |   |    |      |       |   |   |   |   |   |   |   |       |   |    |      |       |   |   |   |   |   |   |   |       |   |    |      |       |   |   |   |   |   |   |   |       |   |    |      |       |   |   |   |   |   |   |   |       |   |    |      |       |   |   |   |   |   |   |   |       |   |    |      |      |   |   |   |   |   |   |   |       |   |    |      |      |   |   |   |   |   |   |   |       |   |    |      |      |       |   |   |   |   |   |   |       |   |    |      |      |       |   |   |   |   |   |   |       |   |    |      |      |       |   |   |   |   |   |   |       |   |    |   |      |       |   |   |   |   |   |   |       |   |    |   |      |       |   |   |   |   |   |   |      |   |    |   |      |       |   |   |   |   |   |   |      |   |     |   |      |       |   |   |   |   |   |   |      |   |     |   |      |       |   |   |   |   |   |   |      |   |     |   |      |       |   |   |   |   |   |   |      |   |     |   |      |       |   |   |   |   |   |   |      |   |     |   |   |      |      |   |   |   |   |   |      |   |     |   |   |      |      |   |   |   |   |   |      |   |     |   |   |      |      |   |   |   |   |   |      |   |     |   |   |      |      |   |   |   |   |   |      |   |     |   |   |      |      |   |   |   |   |   |      |   |     |   |   |   |      |   |   |   |   |   |      |   |     |   |   |   |      |   |   |   |   |   |      |   |     |   |   |   |      |   |   |   |   |   |      |   |     |   |   |   |      |      |   |   |   |   |      |   |     |   |   |   |      |      |   |   |   |   |      |   |     |   |   |   |      |      |   |   |   |   |      |   |     |   |   |   |   |      |   |   |   |   |      |   |     |   |   |   |   |      |   |   |   |   |      |   |     |   |   |   |   |      |   |   |   |   |      |   |     |   |   |   |   |      |   |   |   |   |      |   |     |   |   |   |   |   |      |   |   |   |      |   |     |   |   |   |   |   |      |   |   |   |      |   |     |   |   |   |   |   |      |   |   |   |      |   |
| 170  | -    | -       | -     | -      | -    | 21,0        | - | -    | - | 11,1  | -           |      |  |  |  |  |  |  |  |  |  |  |      |     |  |  |  |  |  |  |  |  |  |  |             |  |     |     |     |     |     |     |  |  |  |  |  |   |   |   |   |   |   |   |   |   |   |   |   |    |   |        |   |   |   |   |   |   |   |   |   |    |   |        |   |   |   |   |   |   |   |   |   |    |   |        |   |   |   |   |   |   |   |   |   |    |      |       |   |   |   |   |   |   |   |       |   |    |      |       |   |   |   |   |   |   |   |       |   |    |      |       |   |   |   |   |   |   |   |       |   |    |      |       |   |   |   |   |   |   |   |       |   |    |      |       |   |   |   |   |   |   |   |       |   |    |      |       |   |   |   |   |   |   |   |       |   |    |      |       |   |   |   |   |   |   |   |       |   |    |      |      |   |   |   |   |   |   |   |       |   |    |      |      |   |   |   |   |   |   |   |       |   |    |      |      |       |   |   |   |   |   |   |       |   |    |      |      |       |   |   |   |   |   |   |       |   |    |      |      |       |   |   |   |   |   |   |       |   |    |   |      |       |   |   |   |   |   |   |       |   |    |   |      |       |   |   |   |   |   |   |      |   |    |   |      |       |   |   |   |   |   |   |      |   |     |   |      |       |   |   |   |   |   |   |      |   |     |   |      |       |   |   |   |   |   |   |      |   |     |   |      |       |   |   |   |   |   |   |      |   |     |   |      |       |   |   |   |   |   |   |      |   |     |   |   |      |      |   |   |   |   |   |      |   |     |   |   |      |      |   |   |   |   |   |      |   |     |   |   |      |      |   |   |   |   |   |      |   |     |   |   |      |      |   |   |   |   |   |      |   |     |   |   |      |      |   |   |   |   |   |      |   |     |   |   |   |      |   |   |   |   |   |      |   |     |   |   |   |      |   |   |   |   |   |      |   |     |   |   |   |      |   |   |   |   |   |      |   |     |   |   |   |      |      |   |   |   |   |      |   |     |   |   |   |      |      |   |   |   |   |      |   |     |   |   |   |      |      |   |   |   |   |      |   |     |   |   |   |   |      |   |   |   |   |      |   |     |   |   |   |   |      |   |   |   |   |      |   |     |   |   |   |   |      |   |   |   |   |      |   |     |   |   |   |   |      |   |   |   |   |      |   |     |   |   |   |   |   |      |   |   |   |      |   |     |   |   |   |   |   |      |   |   |   |      |   |     |   |   |   |   |   |      |   |   |   |      |   |

6 m steps of luffing jib is standard · 6 m Stufung der Wippe ist Standard · Des paliers de 6 m sont de série pour la fléchette

Main boom angle 88°, 85°, 75°, 65°, 55° and 45°; capacities for intermediate boom positions are calculated by the crane control system IC-1  
 Hauptauslegerwinkel 88°, 85°, 75°, 65°, 55° und 45°; Traglasten für Zwischenstellungen des Hauptauslegers werden von der Kransteuerung IC-1 berechnet

Jarret de flèche principale 88°, 85°, 75°, 65°, 55° et 45° ; le système de commande de la grue IC-1 calcule les charges pour les positions intermédiaires de la flèche

\* Main boom angle 88° · Hauptauslegerwinkel 88° · Jarret de flèche principale 88°



| 295 t + 60 t ZB |       | 19-30 m |       | 10,5 m      |       | 9.8 m/s     |      | 360° |       | ISO |  |  |
|-----------------|-------|---------|-------|-------------|-------|-------------|------|------|-------|-----|--|--|
| 96 m + 48 m     |       |         |       |             |       | 96 m + 60 m |      |      |       |     |  |  |
|                 |       | SWSL    |       |             |       |             | SFSL |      |       |     |  |  |
|                 |       | 0 t     |       | 0 t - 640 t |       |             |      |      |       |     |  |  |
|                 |       | 85°     | 85°   | 75°         | 65°   | 55°         | 45°  |      |       |     |  |  |
| m               | t     | t       | t     | t           | t     | t           | t    | t    | t     |     |  |  |
| 24              | -     | 277,0*  | -     | -           | -     | -           | -    | -    | -     |     |  |  |
| 26              | -     | 270,0*  | -     | -           | -     | -           | -    | -    | -     |     |  |  |
| 28              | -     | 263,0*  | -     | -           | -     | -           | -    | -    | -     |     |  |  |
| 30              | 163,0 | 290,0   | -     | -           | -     | -           | -    | -    | 281,0 |     |  |  |
| 34              | 143,0 | 282,0   | -     | -           | -     | -           | -    | -    | 281,0 |     |  |  |
| 38              | 127,0 | 270,0   | -     | -           | -     | -           | -    | -    | 281,0 |     |  |  |
| 42              | 113,0 | 259,0   | -     | -           | -     | -           | -    | -    | 281,0 |     |  |  |
| 46              | 101,0 | 248,0   | -     | -           | -     | -           | -    | -    | 281,0 |     |  |  |
| 50              | 92,0  | 240,0   | -     | -           | -     | -           | -    | -    | 280,0 |     |  |  |
| 54              | 83,5  | 231,0   | 292,0 | -           | -     | -           | -    | -    | 272,0 |     |  |  |
| 56              | 79,5  | 227,0   | 292,0 | -           | -     | -           | -    | -    | 268,0 |     |  |  |
| 58              | -     | -       | 291,0 | -           | -     | -           | -    | -    | 264,0 |     |  |  |
| 62              | -     | -       | 279,0 | -           | -     | -           | -    | -    | 254,0 |     |  |  |
| 66              | -     | -       | 272,0 | -           | -     | -           | -    | -    | 245,0 |     |  |  |
| 70              | -     | -       | 264,0 | -           | -     | -           | -    | -    | 237,0 |     |  |  |
| 74              | -     | -       | 245,0 | -           | -     | -           | -    | -    | 225,0 |     |  |  |
| 77              | -     | -       | -     | 214,0       | -     | -           | -    | -    | 211,5 |     |  |  |
| 78              | -     | -       | -     | 211,0       | -     | -           | -    | -    | 207,0 |     |  |  |
| 82              | -     | -       | -     | 198,0       | -     | -           | -    | -    | 190,0 |     |  |  |
| 86              | -     | -       | -     | 187,0       | -     | -           | -    | -    | 174,0 |     |  |  |
| 90              | -     | -       | -     | 177,0       | -     | -           | -    | -    | 160,0 |     |  |  |
| 94              | -     | -       | -     | -           | -     | -           | -    | -    | 147,0 |     |  |  |
| 97              | -     | -       | -     | -           | 140,0 | -           | -    | -    | 138,7 |     |  |  |
| 98              | -     | -       | -     | -           | 139,0 | -           | -    | -    | 136,0 |     |  |  |
| 102             | -     | -       | -     | -           | 132,0 | -           | -    | -    | 125,0 |     |  |  |
| 104             | -     | -       | -     | -           | 129,0 | -           | -    | -    | 120,0 |     |  |  |
| 106             | -     | -       | -     | -           | -     | -           | -    | -    | 115,0 |     |  |  |
| 110             | -     | -       | -     | -           | -     | -           | -    | -    | 106,0 |     |  |  |
| 114             | -     | -       | -     | -           | -     | -           | 95,5 | 94,0 |       |     |  |  |
| 117             | -     | -       | -     | -           | -     | -           | 92,0 | 85,0 |       |     |  |  |
| 118             | -     | -       | -     | -           | -     | -           | -    | 82,0 |       |     |  |  |
| 122             | -     | -       | -     | -           | -     | -           | -    | 70,5 |       |     |  |  |
| 126             | -     | -       | -     | -           | -     | -           | -    | 59,0 |       |     |  |  |
| 130             | -     | -       | -     | -           | -     | -           | -    | 51,0 |       |     |  |  |
| 26              | -     | 229,0*  | -     | -           | -     | -           | -    | -    | -     |     |  |  |
| 28              | -     | 226,0*  | -     | -           | -     | -           | -    | -    | -     |     |  |  |
| 30              | -     | 222,0*  | -     | -           | -     | -           | -    | -    | -     |     |  |  |
| 34              | 133,0 | 235,0   | -     | -           | -     | -           | -    | -    | 231,0 |     |  |  |
| 38              | 117,0 | 232,0   | -     | -           | -     | -           | -    | -    | 231,0 |     |  |  |
| 42              | 104,0 | 225,0   | -     | -           | -     | -           | -    | -    | 231,0 |     |  |  |
| 46              | 93,5  | 217,0   | -     | -           | -     | -           | -    | -    | 231,0 |     |  |  |
| 50              | 84,0  | 210,0   | -     | -           | -     | -           | -    | -    | 231,0 |     |  |  |
| 54              | 76,0  | 202,0   | -     | -           | -     | -           | -    | -    | 231,0 |     |  |  |
| 58              | 68,5  | 196,0   | -     | -           | -     | -           | -    | -    | 227,0 |     |  |  |
| 60              | 65,5  | 193,0   | 237,0 | -           | -     | -           | -    | -    | 224,0 |     |  |  |
| 62              | 62,5  | 190,0   | 237,0 | -           | -     | -           | -    | -    | 221,0 |     |  |  |
| 66              | 56,5  | 184,0   | 235,0 | -           | -     | -           | -    | -    | 216,0 |     |  |  |
| 68              | 54,0  | 181,0   | 234,0 | -           | -     | -           | -    | -    | 213,5 |     |  |  |
| 70              | -     | -       | 231,0 | -           | -     | -           | -    | -    | 211,0 |     |  |  |
| 74              | -     | -       | 223,0 | -           | -     | -           | -    | -    | 203,0 |     |  |  |
| 78              | -     | -       | 219,0 | -           | -     | -           | -    | -    | 198,0 |     |  |  |
| 82              | -     | -       | 211,0 | -           | -     | -           | -    | -    | 192,0 |     |  |  |
| 84              | -     | -       | 202,0 | -           | -     | -           | -    | -    | 186,5 |     |  |  |
| 86              | -     | -       | -     | 184,0       | -     | -           | -    | -    | 181,0 |     |  |  |
| 90              | -     | -       | -     | 174,0       | -     | -           | -    | -    | 166,0 |     |  |  |
| 94              | -     | -       | -     | 165,0       | -     | -           | -    | -    | 153,0 |     |  |  |
| 98              | -     | -       | -     | 156,0       | -     | -           | -    | -    | 141,0 |     |  |  |
| 100             | -     | -       | -     | 152,0       | -     | -           | -    | -    | 135,5 |     |  |  |
| 102             | -     | -       | -     | -           | -     | -           | -    | -    | 130,0 |     |  |  |
| 106             | -     | -       | -     | -           | 122,0 | -           | -    | -    | 120,0 |     |  |  |
| 110             | -     | -       | -     | -           | 116,0 | -           | -    | -    | 111,0 |     |  |  |
| 114             | -     | -       | -     | -           | 111,0 | -           | -    | -    | 102,0 |     |  |  |
| 116             | -     | -       | -     | -           | 108,0 | -           | -    | -    | 98,2  |     |  |  |
| 118             | -     | -       | -     | -           | -     | -           | -    | -    | 94,5  |     |  |  |
| 122             | -     | -       | -     | -           | -     | -           | -    | -    | 84,5  |     |  |  |
| 126             | -     | -       | -     | -           | -     | -           | -    | 78,0 | 74,0  |     |  |  |
| 128             | -     | -       | -     | -           | -     | -           | -    | 76,0 | 68,7  |     |  |  |
| 130             | -     | -       | -     | -           | -     | -           | -    | -    | 63,5  |     |  |  |
| 134             | -     | -       | -     | -           | -     | -           | -    | -    | 53,5  |     |  |  |
| 138             | -     | -       | -     | -           | -     | -           | -    | -    | 44,6  |     |  |  |

6 m steps of luffing jib is standard · 6 m Stufung der Wippe ist Standard · Des paliers de 6 m sont de série pour la fléchette

Main boom angle 88°, 85°, 75°, 65°, 55° and 45°; capacities for intermediate boom positions are calculated by the crane control system IC-1  
Hauptauslegerwinkel 88°, 85°, 75°, 65°, 55° und 45°; Traglasten für Zwischenstellungen des Hauptauslegers werden von der Kransteuerung IC-1 berechnet

Jarret de flèche principale 88°, 85°, 75°, 65°, 55° et 45° ; le système de commande de la grue IC-1 calcule les charges pour les positions intermédiaires de la flèche

\* Main boom angle 88° · Hauptauslegerwinkel 88° · Jarret de flèche principale 88°

| 295 t + 60 t ZB  |       | 19-30 m |       | 10,5 m |       | 9.8 m/s     |   | 360° |   | ISO  |             |      |  |  |  |  |  |  |  |  |  |  |      |     |  |  |  |  |  |  |  |  |  |  |             |                         |  |  |  |  |  |  |  |  |  |  |  |   |   |   |   |   |   |   |   |   |   |   |   |    |   |        |   |   |   |   |   |   |   |   |   |    |   |        |   |   |   |   |   |   |   |   |   |    |   |        |   |   |   |   |   |   |   |   |   |    |       |       |   |   |   |   |   |   |   |   |       |    |      |       |   |   |   |   |   |   |   |   |       |    |      |       |   |   |   |   |   |   |   |   |       |    |      |       |   |   |   |   |   |   |   |   |       |    |      |       |   |   |   |   |   |   |   |   |       |    |      |       |   |   |   |   |   |   |   |   |       |    |      |       |   |   |   |   |   |   |   |   |       |    |      |       |       |   |   |   |   |   |   |   |       |    |      |       |       |   |   |   |   |   |   |   |       |    |      |       |       |   |   |   |   |   |   |   |       |    |      |       |       |   |   |   |   |   |   |   |       |    |      |       |       |   |   |   |   |   |   |   |       |    |      |       |       |   |   |   |   |   |   |   |       |    |      |       |       |   |   |   |   |   |   |   |       |    |      |       |       |   |   |   |   |   |   |   |       |    |      |       |       |       |   |   |   |   |   |   |       |    |   |   |       |       |   |   |   |   |   |   |       |    |   |   |       |       |   |   |   |   |   |   |       |     |   |   |       |       |   |   |   |   |   |   |       |     |   |   |       |       |   |   |   |   |   |   |       |     |   |   |       |       |   |   |   |   |   |   |       |     |   |   |       |       |   |   |   |   |   |   |       |     |   |   |   |       |   |   |   |   |   |   |       |     |   |   |   |       |   |   |   |   |   |   |       |     |   |   |   |       |       |   |   |   |   |   |       |     |   |   |   |       |       |   |   |   |   |   |      |     |   |   |   |       |      |   |   |   |   |   |      |     |   |   |   |   |      |   |   |   |   |   |      |     |   |   |   |   |      |   |   |   |   |   |      |     |   |   |   |   |      |   |   |   |   |   |      |     |   |   |   |   |      |   |   |      |   |   |      |     |   |   |   |   |   |   |   |      |   |   |      |     |   |   |   |   |   |   |   |      |   |      |      |     |   |   |   |   |   |   |   |   |   |      |      |     |   |   |   |   |   |   |   |   |   |   |      |     |   |   |   |   |   |   |   |   |   |   |      |     |   |   |   |   |   |   |   |   |   |   |      |
|--|-------|---------|-------|--------|-------|-------------|---|------|---|------|-------------|------|--|--|--|--|--|--|--|--|--|--|------|-----|--|--|--|--|--|--|--|--|--|--|-------------|-------------------------|--|--|--|--|--|--|--|--|--|--|--|---|---|---|---|---|---|---|---|---|---|---|---|----|---|--------|---|---|---|---|---|---|---|---|---|----|---|--------|---|---|---|---|---|---|---|---|---|----|---|--------|---|---|---|---|---|---|---|---|---|----|-------|-------|---|---|---|---|---|---|---|---|-------|----|------|-------|---|---|---|---|---|---|---|---|-------|----|------|-------|---|---|---|---|---|---|---|---|-------|----|------|-------|---|---|---|---|---|---|---|---|-------|----|------|-------|---|---|---|---|---|---|---|---|-------|----|------|-------|---|---|---|---|---|---|---|---|-------|----|------|-------|---|---|---|---|---|---|---|---|-------|----|------|-------|-------|---|---|---|---|---|---|---|-------|----|------|-------|-------|---|---|---|---|---|---|---|-------|----|------|-------|-------|---|---|---|---|---|---|---|-------|----|------|-------|-------|---|---|---|---|---|---|---|-------|----|------|-------|-------|---|---|---|---|---|---|---|-------|----|------|-------|-------|---|---|---|---|---|---|---|-------|----|------|-------|-------|---|---|---|---|---|---|---|-------|----|------|-------|-------|---|---|---|---|---|---|---|-------|----|------|-------|-------|-------|---|---|---|---|---|---|-------|----|---|---|-------|-------|---|---|---|---|---|---|-------|----|---|---|-------|-------|---|---|---|---|---|---|-------|-----|---|---|-------|-------|---|---|---|---|---|---|-------|-----|---|---|-------|-------|---|---|---|---|---|---|-------|-----|---|---|-------|-------|---|---|---|---|---|---|-------|-----|---|---|-------|-------|---|---|---|---|---|---|-------|-----|---|---|---|-------|---|---|---|---|---|---|-------|-----|---|---|---|-------|---|---|---|---|---|---|-------|-----|---|---|---|-------|-------|---|---|---|---|---|-------|-----|---|---|---|-------|-------|---|---|---|---|---|------|-----|---|---|---|-------|------|---|---|---|---|---|------|-----|---|---|---|---|------|---|---|---|---|---|------|-----|---|---|---|---|------|---|---|---|---|---|------|-----|---|---|---|---|------|---|---|---|---|---|------|-----|---|---|---|---|------|---|---|------|---|---|------|-----|---|---|---|---|---|---|---|------|---|---|------|-----|---|---|---|---|---|---|---|------|---|------|------|-----|---|---|---|---|---|---|---|---|---|------|------|-----|---|---|---|---|---|---|---|---|---|---|------|-----|---|---|---|---|---|---|---|---|---|---|------|-----|---|---|---|---|---|---|---|---|---|---|------|
| 96 m + 72 m  |       |         |       |        |       | 96 m + 84 m |   |      |   |      |             |      |  |  |  |  |  |  |  |  |  |  |      |     |  |  |  |  |  |  |  |  |  |  |             |                         |  |  |  |  |  |  |  |  |  |  |  |   |   |   |   |   |   |   |   |   |   |   |   |    |   |        |   |   |   |   |   |   |   |   |   |    |   |        |   |   |   |   |   |   |   |   |   |    |   |        |   |   |   |   |   |   |   |   |   |    |       |       |   |   |   |   |   |   |   |   |       |    |      |       |   |   |   |   |   |   |   |   |       |    |      |       |   |   |   |   |   |   |   |   |       |    |      |       |   |   |   |   |   |   |   |   |       |    |      |       |   |   |   |   |   |   |   |   |       |    |      |       |   |   |   |   |   |   |   |   |       |    |      |       |   |   |   |   |   |   |   |   |       |    |      |       |       |   |   |   |   |   |   |   |       |    |      |       |       |   |   |   |   |   |   |   |       |    |      |       |       |   |   |   |   |   |   |   |       |    |      |       |       |   |   |   |   |   |   |   |       |    |      |       |       |   |   |   |   |   |   |   |       |    |      |       |       |   |   |   |   |   |   |   |       |    |      |       |       |   |   |   |   |   |   |   |       |    |      |       |       |   |   |   |   |   |   |   |       |    |      |       |       |       |   |   |   |   |   |   |       |    |   |   |       |       |   |   |   |   |   |   |       |    |   |   |       |       |   |   |   |   |   |   |       |     |   |   |       |       |   |   |   |   |   |   |       |     |   |   |       |       |   |   |   |   |   |   |       |     |   |   |       |       |   |   |   |   |   |   |       |     |   |   |       |       |   |   |   |   |   |   |       |     |   |   |   |       |   |   |   |   |   |   |       |     |   |   |   |       |   |   |   |   |   |   |       |     |   |   |   |       |       |   |   |   |   |   |       |     |   |   |   |       |       |   |   |   |   |   |      |     |   |   |   |       |      |   |   |   |   |   |      |     |   |   |   |   |      |   |   |   |   |   |      |     |   |   |   |   |      |   |   |   |   |   |      |     |   |   |   |   |      |   |   |   |   |   |      |     |   |   |   |   |      |   |   |      |   |   |      |     |   |   |   |   |   |   |   |      |   |   |      |     |   |   |   |   |   |   |   |      |   |      |      |     |   |   |   |   |   |   |   |   |   |      |      |     |   |   |   |   |   |   |   |   |   |   |      |     |   |   |   |   |   |   |   |   |   |   |      |     |   |   |   |   |   |   |   |   |   |   |      |
| <table border="1"> <thead> <tr> <th colspan="11">SWSL</th> <th>SFSL</th> </tr> <tr> <th colspan="11">0 t</th> <th>0 t - 640 t</th> </tr> <tr> <th colspan="11">85° 85° 75° 65° 55° 45°</th> <th></th> </tr> <tr> <th>m</th> <th>t</th> <th>t</th> <th>t</th> <th>t</th> <th>t</th> <th>t</th> <th>t</th> <th>t</th> <th>t</th> <th>t</th> <th>t</th> </tr> </thead> <tbody> <tr><td>30</td><td>-</td><td>187,0*</td><td>-</td><td>-</td><td>-</td><td>-</td><td>-</td><td>-</td><td>-</td><td>-</td><td>-</td></tr> <tr><td>34</td><td>-</td><td>182,0*</td><td>-</td><td>-</td><td>-</td><td>-</td><td>-</td><td>-</td><td>-</td><td>-</td><td>-</td></tr> <tr><td>38</td><td>-</td><td>176,0*</td><td>-</td><td>-</td><td>-</td><td>-</td><td>-</td><td>-</td><td>-</td><td>-</td><td>-</td></tr> <tr><td>40</td><td>102,0</td><td>192,0</td><td>-</td><td>-</td><td>-</td><td>-</td><td>-</td><td>-</td><td>-</td><td>-</td><td>189,0</td></tr> <tr><td>42</td><td>96,0</td><td>190,0</td><td>-</td><td>-</td><td>-</td><td>-</td><td>-</td><td>-</td><td>-</td><td>-</td><td>189,0</td></tr> <tr><td>46</td><td>85,5</td><td>185,0</td><td>-</td><td>-</td><td>-</td><td>-</td><td>-</td><td>-</td><td>-</td><td>-</td><td>189,0</td></tr> <tr><td>50</td><td>76,5</td><td>180,0</td><td>-</td><td>-</td><td>-</td><td>-</td><td>-</td><td>-</td><td>-</td><td>-</td><td>189,0</td></tr> <tr><td>54</td><td>68,5</td><td>175,0</td><td>-</td><td>-</td><td>-</td><td>-</td><td>-</td><td>-</td><td>-</td><td>-</td><td>189,0</td></tr> <tr><td>58</td><td>61,5</td><td>170,0</td><td>-</td><td>-</td><td>-</td><td>-</td><td>-</td><td>-</td><td>-</td><td>-</td><td>189,0</td></tr> <tr><td>62</td><td>55,5</td><td>165,0</td><td>-</td><td>-</td><td>-</td><td>-</td><td>-</td><td>-</td><td>-</td><td>-</td><td>187,0</td></tr> <tr><td>66</td><td>50,0</td><td>160,0</td><td>192,0</td><td>-</td><td>-</td><td>-</td><td>-</td><td>-</td><td>-</td><td>-</td><td>184,0</td></tr> <tr><td>70</td><td>45,3</td><td>156,0</td><td>192,0</td><td>-</td><td>-</td><td>-</td><td>-</td><td>-</td><td>-</td><td>-</td><td>181,0</td></tr> <tr><td>74</td><td>40,8</td><td>151,0</td><td>191,0</td><td>-</td><td>-</td><td>-</td><td>-</td><td>-</td><td>-</td><td>-</td><td>177,0</td></tr> <tr><td>78</td><td>36,8</td><td>146,0</td><td>189,0</td><td>-</td><td>-</td><td>-</td><td>-</td><td>-</td><td>-</td><td>-</td><td>174,0</td></tr> <tr><td>80</td><td>35,0</td><td>141,0</td><td>188,0</td><td>-</td><td>-</td><td>-</td><td>-</td><td>-</td><td>-</td><td>-</td><td>170,0</td></tr> <tr><td>82</td><td>-</td><td>-</td><td>186,0</td><td>-</td><td>-</td><td>-</td><td>-</td><td>-</td><td>-</td><td>-</td><td>168,0</td></tr> <tr><td>86</td><td>-</td><td>-</td><td>181,0</td><td>-</td><td>-</td><td>-</td><td>-</td><td>-</td><td>-</td><td>-</td><td>164,0</td></tr> <tr><td>90</td><td>-</td><td>-</td><td>178,0</td><td>-</td><td>-</td><td>-</td><td>-</td><td>-</td><td>-</td><td>-</td><td>161,0</td></tr> <tr><td>92</td><td>-</td><td>-</td><td>173,0</td><td>164,0</td><td>-</td><td>-</td><td>-</td><td>-</td><td>-</td><td>-</td><td>158,5</td></tr> <tr><td>94</td><td>-</td><td>-</td><td>166,0</td><td>160,0</td><td>-</td><td>-</td><td>-</td><td>-</td><td>-</td><td>-</td><td>156,0</td></tr> <tr><td>96</td><td>-</td><td>-</td><td>156,0</td><td>155,0</td><td>-</td><td>-</td><td>-</td><td>-</td><td>-</td><td>-</td><td>150,0</td></tr> <tr><td>98</td><td>-</td><td>-</td><td>-</td><td>151,0</td><td>-</td><td>-</td><td>-</td><td>-</td><td>-</td><td>-</td><td>144,0</td></tr> <tr><td>102</td><td>-</td><td>-</td><td>-</td><td>143,0</td><td>-</td><td>-</td><td>-</td><td>-</td><td>-</td><td>-</td><td>133,0</td></tr> <tr><td>106</td><td>-</td><td>-</td><td>-</td><td>136,0</td><td>-</td><td>-</td><td>-</td><td>-</td><td>-</td><td>-</td><td>122,0</td></tr> <tr><td>110</td><td>-</td><td>-</td><td>-</td><td>130,0</td><td>-</td><td>-</td><td>-</td><td>-</td><td>-</td><td>-</td><td>113,0</td></tr> <tr><td>112</td><td>-</td><td>-</td><td>-</td><td>127,0</td><td>-</td><td>-</td><td>-</td><td>-</td><td>-</td><td>-</td><td>108,5</td></tr> <tr><td>114</td><td>-</td><td>-</td><td>-</td><td>-</td><td>-</td><td>-</td><td>-</td><td>-</td><td>-</td><td>-</td><td>104,0</td></tr> <tr><td>116</td><td>-</td><td>-</td><td>-</td><td>-</td><td>102,0</td><td>-</td><td>-</td><td>-</td><td>-</td><td>-</td><td>100,2</td></tr> <tr><td>118</td><td>-</td><td>-</td><td>-</td><td>-</td><td>100,0</td><td>-</td><td>-</td><td>-</td><td>-</td><td>-</td><td>96,5</td></tr> <tr><td>122</td><td>-</td><td>-</td><td>-</td><td>-</td><td>95,0</td><td>-</td><td>-</td><td>-</td><td>-</td><td>-</td><td>88,5</td></tr> <tr><td>126</td><td>-</td><td>-</td><td>-</td><td>-</td><td>91,0</td><td>-</td><td>-</td><td>-</td><td>-</td><td>-</td><td>81,5</td></tr> <tr><td>130</td><td>-</td><td>-</td><td>-</td><td>-</td><td>-</td><td>-</td><td>-</td><td>-</td><td>-</td><td>-</td><td>72,5</td></tr> <tr><td>134</td><td>-</td><td>-</td><td>-</td><td>-</td><td>-</td><td>-</td><td>-</td><td>-</td><td>-</td><td>-</td><td>63,5</td></tr> <tr><td>136</td><td>-</td><td>-</td><td>-</td><td>-</td><td>-</td><td>-</td><td>-</td><td>62,0</td><td>-</td><td>-</td><td>59,0</td></tr> <tr><td>138</td><td>-</td><td>-</td><td>-</td><td>-</td><td>-</td><td>-</td><td>-</td><td>60,0</td><td>-</td><td>-</td><td>54,5</td></tr> <tr><td>140</td><td>-</td><td>-</td><td>-</td><td>-</td><td>-</td><td>-</td><td>-</td><td>58,5</td><td>-</td><td>-</td><td>50,1</td></tr> <tr><td>142</td><td>-</td><td>-</td><td>-</td><td>-</td><td>-</td><td>-</td><td>-</td><td>-</td><td>-</td><td>-</td><td>45,8</td></tr> <tr><td>146</td><td>-</td><td>-</td><td>-</td><td>-</td><td>-</td><td>-</td><td>-</td><td>-</td><td>-</td><td>-</td><td>37,2</td></tr> <tr><td>150</td><td>-</td><td>-</td><td>-</td><td>-</td><td>-</td><td>-</td><td>-</td><td>-</td><td>-</td><td>-</td><td>31,7</td></tr> </tbody> </table>  |       |         |       |        |       |             |   |      |   |      |             | SWSL |  |  |  |  |  |  |  |  |  |  | SFSL | 0 t |  |  |  |  |  |  |  |  |  |  | 0 t - 640 t | 85° 85° 75° 65° 55° 45° |  |  |  |  |  |  |  |  |  |  |  | m | t | t | t | t | t | t | t | t | t | t | t | 30 | - | 187,0* | - | - | - | - | - | - | - | - | - | 34 | - | 182,0* | - | - | - | - | - | - | - | - | - | 38 | - | 176,0* | - | - | - | - | - | - | - | - | - | 40 | 102,0 | 192,0 | - | - | - | - | - | - | - | - | 189,0 | 42 | 96,0 | 190,0 | - | - | - | - | - | - | - | - | 189,0 | 46 | 85,5 | 185,0 | - | - | - | - | - | - | - | - | 189,0 | 50 | 76,5 | 180,0 | - | - | - | - | - | - | - | - | 189,0 | 54 | 68,5 | 175,0 | - | - | - | - | - | - | - | - | 189,0 | 58 | 61,5 | 170,0 | - | - | - | - | - | - | - | - | 189,0 | 62 | 55,5 | 165,0 | - | - | - | - | - | - | - | - | 187,0 | 66 | 50,0 | 160,0 | 192,0 | - | - | - | - | - | - | - | 184,0 | 70 | 45,3 | 156,0 | 192,0 | - | - | - | - | - | - | - | 181,0 | 74 | 40,8 | 151,0 | 191,0 | - | - | - | - | - | - | - | 177,0 | 78 | 36,8 | 146,0 | 189,0 | - | - | - | - | - | - | - | 174,0 | 80 | 35,0 | 141,0 | 188,0 | - | - | - | - | - | - | - | 170,0 | 82 | -    | -     | 186,0 | - | - | - | - | - | - | - | 168,0 | 86 | -    | -     | 181,0 | - | - | - | - | - | - | - | 164,0 | 90 | -    | -     | 178,0 | - | - | - | - | - | - | - | 161,0 | 92 | -    | -     | 173,0 | 164,0 | - | - | - | - | - | - | 158,5 | 94 | - | - | 166,0 | 160,0 | - | - | - | - | - | - | 156,0 | 96 | - | - | 156,0 | 155,0 | - | - | - | - | - | - | 150,0 | 98  | - | - | -     | 151,0 | - | - | - | - | - | - | 144,0 | 102 | - | - | -     | 143,0 | - | - | - | - | - | - | 133,0 | 106 | - | - | -     | 136,0 | - | - | - | - | - | - | 122,0 | 110 | - | - | -     | 130,0 | - | - | - | - | - | - | 113,0 | 112 | - | - | - | 127,0 | - | - | - | - | - | - | 108,5 | 114 | - | - | - | -     | - | - | - | - | - | - | 104,0 | 116 | - | - | - | -     | 102,0 | - | - | - | - | - | 100,2 | 118 | - | - | - | -     | 100,0 | - | - | - | - | - | 96,5 | 122 | - | - | - | -     | 95,0 | - | - | - | - | - | 88,5 | 126 | - | - | - | - | 91,0 | - | - | - | - | - | 81,5 | 130 | - | - | - | - | -    | - | - | - | - | - | 72,5 | 134 | - | - | - | - | -    | - | - | - | - | - | 63,5 | 136 | - | - | - | - | -    | - | - | 62,0 | - | - | 59,0 | 138 | - | - | - | - | - | - | - | 60,0 | - | - | 54,5 | 140 | - | - | - | - | - | - | - | 58,5 | - | -    | 50,1 | 142 | - | - | - | - | - | - | - | - | - | -    | 45,8 | 146 | - | - | - | - | - | - | - | - | - | - | 37,2 | 150 | - | - | - | - | - | - | - | - | - | - | 31,7 |     |   |   |   |   |   |   |   |   |   |   |      |
| SWSL   |       |         |       |        |       |             |   |      |   |      | SFSL        |      |  |  |  |  |  |  |  |  |  |  |      |     |  |  |  |  |  |  |  |  |  |  |             |                         |  |  |  |  |  |  |  |  |  |  |  |   |   |   |   |   |   |   |   |   |   |   |   |    |   |        |   |   |   |   |   |   |   |   |   |    |   |        |   |   |   |   |   |   |   |   |   |    |   |        |   |   |   |   |   |   |   |   |   |    |       |       |   |   |   |   |   |   |   |   |       |    |      |       |   |   |   |   |   |   |   |   |       |    |      |       |   |   |   |   |   |   |   |   |       |    |      |       |   |   |   |   |   |   |   |   |       |    |      |       |   |   |   |   |   |   |   |   |       |    |      |       |   |   |   |   |   |   |   |   |       |    |      |       |   |   |   |   |   |   |   |   |       |    |      |       |       |   |   |   |   |   |   |   |       |    |      |       |       |   |   |   |   |   |   |   |       |    |      |       |       |   |   |   |   |   |   |   |       |    |      |       |       |   |   |   |   |   |   |   |       |    |      |       |       |   |   |   |   |   |   |   |       |    |      |       |       |   |   |   |   |   |   |   |       |    |      |       |       |   |   |   |   |   |   |   |       |    |      |       |       |   |   |   |   |   |   |   |       |    |      |       |       |       |   |   |   |   |   |   |       |    |   |   |       |       |   |   |   |   |   |   |       |    |   |   |       |       |   |   |   |   |   |   |       |     |   |   |       |       |   |   |   |   |   |   |       |     |   |   |       |       |   |   |   |   |   |   |       |     |   |   |       |       |   |   |   |   |   |   |       |     |   |   |       |       |   |   |   |   |   |   |       |     |   |   |   |       |   |   |   |   |   |   |       |     |   |   |   |       |   |   |   |   |   |   |       |     |   |   |   |       |       |   |   |   |   |   |       |     |   |   |   |       |       |   |   |   |   |   |      |     |   |   |   |       |      |   |   |   |   |   |      |     |   |   |   |   |      |   |   |   |   |   |      |     |   |   |   |   |      |   |   |   |   |   |      |     |   |   |   |   |      |   |   |   |   |   |      |     |   |   |   |   |      |   |   |      |   |   |      |     |   |   |   |   |   |   |   |      |   |   |      |     |   |   |   |   |   |   |   |      |   |      |      |     |   |   |   |   |   |   |   |   |   |      |      |     |   |   |   |   |   |   |   |   |   |   |      |     |   |   |   |   |   |   |   |   |   |   |      |     |   |   |   |   |   |   |   |   |   |   |      |
| 0 t  |       |         |       |        |       |             |   |      |   |      | 0 t - 640 t |      |  |  |  |  |  |  |  |  |  |  |      |     |  |  |  |  |  |  |  |  |  |  |             |                         |  |  |  |  |  |  |  |  |  |  |  |   |   |   |   |   |   |   |   |   |   |   |   |    |   |        |   |   |   |   |   |   |   |   |   |    |   |        |   |   |   |   |   |   |   |   |   |    |   |        |   |   |   |   |   |   |   |   |   |    |       |       |   |   |   |   |   |   |   |   |       |    |      |       |   |   |   |   |   |   |   |   |       |    |      |       |   |   |   |   |   |   |   |   |       |    |      |       |   |   |   |   |   |   |   |   |       |    |      |       |   |   |   |   |   |   |   |   |       |    |      |       |   |   |   |   |   |   |   |   |       |    |      |       |   |   |   |   |   |   |   |   |       |    |      |       |       |   |   |   |   |   |   |   |       |    |      |       |       |   |   |   |   |   |   |   |       |    |      |       |       |   |   |   |   |   |   |   |       |    |      |       |       |   |   |   |   |   |   |   |       |    |      |       |       |   |   |   |   |   |   |   |       |    |      |       |       |   |   |   |   |   |   |   |       |    |      |       |       |   |   |   |   |   |   |   |       |    |      |       |       |   |   |   |   |   |   |   |       |    |      |       |       |       |   |   |   |   |   |   |       |    |   |   |       |       |   |   |   |   |   |   |       |    |   |   |       |       |   |   |   |   |   |   |       |     |   |   |       |       |   |   |   |   |   |   |       |     |   |   |       |       |   |   |   |   |   |   |       |     |   |   |       |       |   |   |   |   |   |   |       |     |   |   |       |       |   |   |   |   |   |   |       |     |   |   |   |       |   |   |   |   |   |   |       |     |   |   |   |       |   |   |   |   |   |   |       |     |   |   |   |       |       |   |   |   |   |   |       |     |   |   |   |       |       |   |   |   |   |   |      |     |   |   |   |       |      |   |   |   |   |   |      |     |   |   |   |   |      |   |   |   |   |   |      |     |   |   |   |   |      |   |   |   |   |   |      |     |   |   |   |   |      |   |   |   |   |   |      |     |   |   |   |   |      |   |   |      |   |   |      |     |   |   |   |   |   |   |   |      |   |   |      |     |   |   |   |   |   |   |   |      |   |      |      |     |   |   |   |   |   |   |   |   |   |      |      |     |   |   |   |   |   |   |   |   |   |   |      |     |   |   |   |   |   |   |   |   |   |   |      |     |   |   |   |   |   |   |   |   |   |   |      |
| 85° 85° 75° 65° 55° 45°  |       |         |       |        |       |             |   |      |   |      |             |      |  |  |  |  |  |  |  |  |  |  |      |     |  |  |  |  |  |  |  |  |  |  |             |                         |  |  |  |  |  |  |  |  |  |  |  |   |   |   |   |   |   |   |   |   |   |   |   |    |   |        |   |   |   |   |   |   |   |   |   |    |   |        |   |   |   |   |   |   |   |   |   |    |   |        |   |   |   |   |   |   |   |   |   |    |       |       |   |   |   |   |   |   |   |   |       |    |      |       |   |   |   |   |   |   |   |   |       |    |      |       |   |   |   |   |   |   |   |   |       |    |      |       |   |   |   |   |   |   |   |   |       |    |      |       |   |   |   |   |   |   |   |   |       |    |      |       |   |   |   |   |   |   |   |   |       |    |      |       |   |   |   |   |   |   |   |   |       |    |      |       |       |   |   |   |   |   |   |   |       |    |      |       |       |   |   |   |   |   |   |   |       |    |      |       |       |   |   |   |   |   |   |   |       |    |      |       |       |   |   |   |   |   |   |   |       |    |      |       |       |   |   |   |   |   |   |   |       |    |      |       |       |   |   |   |   |   |   |   |       |    |      |       |       |   |   |   |   |   |   |   |       |    |      |       |       |   |   |   |   |   |   |   |       |    |      |       |       |       |   |   |   |   |   |   |       |    |   |   |       |       |   |   |   |   |   |   |       |    |   |   |       |       |   |   |   |   |   |   |       |     |   |   |       |       |   |   |   |   |   |   |       |     |   |   |       |       |   |   |   |   |   |   |       |     |   |   |       |       |   |   |   |   |   |   |       |     |   |   |       |       |   |   |   |   |   |   |       |     |   |   |   |       |   |   |   |   |   |   |       |     |   |   |   |       |   |   |   |   |   |   |       |     |   |   |   |       |       |   |   |   |   |   |       |     |   |   |   |       |       |   |   |   |   |   |      |     |   |   |   |       |      |   |   |   |   |   |      |     |   |   |   |   |      |   |   |   |   |   |      |     |   |   |   |   |      |   |   |   |   |   |      |     |   |   |   |   |      |   |   |   |   |   |      |     |   |   |   |   |      |   |   |      |   |   |      |     |   |   |   |   |   |   |   |      |   |   |      |     |   |   |   |   |   |   |   |      |   |      |      |     |   |   |   |   |   |   |   |   |   |      |      |     |   |   |   |   |   |   |   |   |   |   |      |     |   |   |   |   |   |   |   |   |   |   |      |     |   |   |   |   |   |   |   |   |   |   |      |
| m  | t     | t       | t     | t      | t     | t           | t | t    | t | t    | t           |      |  |  |  |  |  |  |  |  |  |  |      |     |  |  |  |  |  |  |  |  |  |  |             |                         |  |  |  |  |  |  |  |  |  |  |  |   |   |   |   |   |   |   |   |   |   |   |   |    |   |        |   |   |   |   |   |   |   |   |   |    |   |        |   |   |   |   |   |   |   |   |   |    |   |        |   |   |   |   |   |   |   |   |   |    |       |       |   |   |   |   |   |   |   |   |       |    |      |       |   |   |   |   |   |   |   |   |       |    |      |       |   |   |   |   |   |   |   |   |       |    |      |       |   |   |   |   |   |   |   |   |       |    |      |       |   |   |   |   |   |   |   |   |       |    |      |       |   |   |   |   |   |   |   |   |       |    |      |       |   |   |   |   |   |   |   |   |       |    |      |       |       |   |   |   |   |   |   |   |       |    |      |       |       |   |   |   |   |   |   |   |       |    |      |       |       |   |   |   |   |   |   |   |       |    |      |       |       |   |   |   |   |   |   |   |       |    |      |       |       |   |   |   |   |   |   |   |       |    |      |       |       |   |   |   |   |   |   |   |       |    |      |       |       |   |   |   |   |   |   |   |       |    |      |       |       |   |   |   |   |   |   |   |       |    |      |       |       |       |   |   |   |   |   |   |       |    |   |   |       |       |   |   |   |   |   |   |       |    |   |   |       |       |   |   |   |   |   |   |       |     |   |   |       |       |   |   |   |   |   |   |       |     |   |   |       |       |   |   |   |   |   |   |       |     |   |   |       |       |   |   |   |   |   |   |       |     |   |   |       |       |   |   |   |   |   |   |       |     |   |   |   |       |   |   |   |   |   |   |       |     |   |   |   |       |   |   |   |   |   |   |       |     |   |   |   |       |       |   |   |   |   |   |       |     |   |   |   |       |       |   |   |   |   |   |      |     |   |   |   |       |      |   |   |   |   |   |      |     |   |   |   |   |      |   |   |   |   |   |      |     |   |   |   |   |      |   |   |   |   |   |      |     |   |   |   |   |      |   |   |   |   |   |      |     |   |   |   |   |      |   |   |      |   |   |      |     |   |   |   |   |   |   |   |      |   |   |      |     |   |   |   |   |   |   |   |      |   |      |      |     |   |   |   |   |   |   |   |   |   |      |      |     |   |   |   |   |   |   |   |   |   |   |      |     |   |   |   |   |   |   |   |   |   |   |      |     |   |   |   |   |   |   |   |   |   |   |      |
| 30   | -     | 187,0*  | -     | -      | -     | -           | - | -    | - | -    | -           |      |  |  |  |  |  |  |  |  |  |  |      |     |  |  |  |  |  |  |  |  |  |  |             |                         |  |  |  |  |  |  |  |  |  |  |  |   |   |   |   |   |   |   |   |   |   |   |   |    |   |        |   |   |   |   |   |   |   |   |   |    |   |        |   |   |   |   |   |   |   |   |   |    |   |        |   |   |   |   |   |   |   |   |   |    |       |       |   |   |   |   |   |   |   |   |       |    |      |       |   |   |   |   |   |   |   |   |       |    |      |       |   |   |   |   |   |   |   |   |       |    |      |       |   |   |   |   |   |   |   |   |       |    |      |       |   |   |   |   |   |   |   |   |       |    |      |       |   |   |   |   |   |   |   |   |       |    |      |       |   |   |   |   |   |   |   |   |       |    |      |       |       |   |   |   |   |   |   |   |       |    |      |       |       |   |   |   |   |   |   |   |       |    |      |       |       |   |   |   |   |   |   |   |       |    |      |       |       |   |   |   |   |   |   |   |       |    |      |       |       |   |   |   |   |   |   |   |       |    |      |       |       |   |   |   |   |   |   |   |       |    |      |       |       |   |   |   |   |   |   |   |       |    |      |       |       |   |   |   |   |   |   |   |       |    |      |       |       |       |   |   |   |   |   |   |       |    |   |   |       |       |   |   |   |   |   |   |       |    |   |   |       |       |   |   |   |   |   |   |       |     |   |   |       |       |   |   |   |   |   |   |       |     |   |   |       |       |   |   |   |   |   |   |       |     |   |   |       |       |   |   |   |   |   |   |       |     |   |   |       |       |   |   |   |   |   |   |       |     |   |   |   |       |   |   |   |   |   |   |       |     |   |   |   |       |   |   |   |   |   |   |       |     |   |   |   |       |       |   |   |   |   |   |       |     |   |   |   |       |       |   |   |   |   |   |      |     |   |   |   |       |      |   |   |   |   |   |      |     |   |   |   |   |      |   |   |   |   |   |      |     |   |   |   |   |      |   |   |   |   |   |      |     |   |   |   |   |      |   |   |   |   |   |      |     |   |   |   |   |      |   |   |      |   |   |      |     |   |   |   |   |   |   |   |      |   |   |      |     |   |   |   |   |   |   |   |      |   |      |      |     |   |   |   |   |   |   |   |   |   |      |      |     |   |   |   |   |   |   |   |   |   |   |      |     |   |   |   |   |   |   |   |   |   |   |      |     |   |   |   |   |   |   |   |   |   |   |      |
| 34   | -     | 182,0*  | -     | -      | -     | -           | - | -    | - | -    | -           |      |  |  |  |  |  |  |  |  |  |  |      |     |  |  |  |  |  |  |  |  |  |  |             |                         |  |  |  |  |  |  |  |  |  |  |  |   |   |   |   |   |   |   |   |   |   |   |   |    |   |        |   |   |   |   |   |   |   |   |   |    |   |        |   |   |   |   |   |   |   |   |   |    |   |        |   |   |   |   |   |   |   |   |   |    |       |       |   |   |   |   |   |   |   |   |       |    |      |       |   |   |   |   |   |   |   |   |       |    |      |       |   |   |   |   |   |   |   |   |       |    |      |       |   |   |   |   |   |   |   |   |       |    |      |       |   |   |   |   |   |   |   |   |       |    |      |       |   |   |   |   |   |   |   |   |       |    |      |       |   |   |   |   |   |   |   |   |       |    |      |       |       |   |   |   |   |   |   |   |       |    |      |       |       |   |   |   |   |   |   |   |       |    |      |       |       |   |   |   |   |   |   |   |       |    |      |       |       |   |   |   |   |   |   |   |       |    |      |       |       |   |   |   |   |   |   |   |       |    |      |       |       |   |   |   |   |   |   |   |       |    |      |       |       |   |   |   |   |   |   |   |       |    |      |       |       |   |   |   |   |   |   |   |       |    |      |       |       |       |   |   |   |   |   |   |       |    |   |   |       |       |   |   |   |   |   |   |       |    |   |   |       |       |   |   |   |   |   |   |       |     |   |   |       |       |   |   |   |   |   |   |       |     |   |   |       |       |   |   |   |   |   |   |       |     |   |   |       |       |   |   |   |   |   |   |       |     |   |   |       |       |   |   |   |   |   |   |       |     |   |   |   |       |   |   |   |   |   |   |       |     |   |   |   |       |   |   |   |   |   |   |       |     |   |   |   |       |       |   |   |   |   |   |       |     |   |   |   |       |       |   |   |   |   |   |      |     |   |   |   |       |      |   |   |   |   |   |      |     |   |   |   |   |      |   |   |   |   |   |      |     |   |   |   |   |      |   |   |   |   |   |      |     |   |   |   |   |      |   |   |   |   |   |      |     |   |   |   |   |      |   |   |      |   |   |      |     |   |   |   |   |   |   |   |      |   |   |      |     |   |   |   |   |   |   |   |      |   |      |      |     |   |   |   |   |   |   |   |   |   |      |      |     |   |   |   |   |   |   |   |   |   |   |      |     |   |   |   |   |   |   |   |   |   |   |      |     |   |   |   |   |   |   |   |   |   |   |      |
| 38   | -     | 176,0*  | -     | -      | -     | -           | - | -    | - | -    | -           |      |  |  |  |  |  |  |  |  |  |  |      |     |  |  |  |  |  |  |  |  |  |  |             |                         |  |  |  |  |  |  |  |  |  |  |  |   |   |   |   |   |   |   |   |   |   |   |   |    |   |        |   |   |   |   |   |   |   |   |   |    |   |        |   |   |   |   |   |   |   |   |   |    |   |        |   |   |   |   |   |   |   |   |   |    |       |       |   |   |   |   |   |   |   |   |       |    |      |       |   |   |   |   |   |   |   |   |       |    |      |       |   |   |   |   |   |   |   |   |       |    |      |       |   |   |   |   |   |   |   |   |       |    |      |       |   |   |   |   |   |   |   |   |       |    |      |       |   |   |   |   |   |   |   |   |       |    |      |       |   |   |   |   |   |   |   |   |       |    |      |       |       |   |   |   |   |   |   |   |       |    |      |       |       |   |   |   |   |   |   |   |       |    |      |       |       |   |   |   |   |   |   |   |       |    |      |       |       |   |   |   |   |   |   |   |       |    |      |       |       |   |   |   |   |   |   |   |       |    |      |       |       |   |   |   |   |   |   |   |       |    |      |       |       |   |   |   |   |   |   |   |       |    |      |       |       |   |   |   |   |   |   |   |       |    |      |       |       |       |   |   |   |   |   |   |       |    |   |   |       |       |   |   |   |   |   |   |       |    |   |   |       |       |   |   |   |   |   |   |       |     |   |   |       |       |   |   |   |   |   |   |       |     |   |   |       |       |   |   |   |   |   |   |       |     |   |   |       |       |   |   |   |   |   |   |       |     |   |   |       |       |   |   |   |   |   |   |       |     |   |   |   |       |   |   |   |   |   |   |       |     |   |   |   |       |   |   |   |   |   |   |       |     |   |   |   |       |       |   |   |   |   |   |       |     |   |   |   |       |       |   |   |   |   |   |      |     |   |   |   |       |      |   |   |   |   |   |      |     |   |   |   |   |      |   |   |   |   |   |      |     |   |   |   |   |      |   |   |   |   |   |      |     |   |   |   |   |      |   |   |   |   |   |      |     |   |   |   |   |      |   |   |      |   |   |      |     |   |   |   |   |   |   |   |      |   |   |      |     |   |   |   |   |   |   |   |      |   |      |      |     |   |   |   |   |   |   |   |   |   |      |      |     |   |   |   |   |   |   |   |   |   |   |      |     |   |   |   |   |   |   |   |   |   |   |      |     |   |   |   |   |   |   |   |   |   |   |      |
| 40   | 102,0 | 192,0   | -     | -      | -     | -           | - | -    | - | -    | 189,0       |      |  |  |  |  |  |  |  |  |  |  |      |     |  |  |  |  |  |  |  |  |  |  |             |                         |  |  |  |  |  |  |  |  |  |  |  |   |   |   |   |   |   |   |   |   |   |   |   |    |   |        |   |   |   |   |   |   |   |   |   |    |   |        |   |   |   |   |   |   |   |   |   |    |   |        |   |   |   |   |   |   |   |   |   |    |       |       |   |   |   |   |   |   |   |   |       |    |      |       |   |   |   |   |   |   |   |   |       |    |      |       |   |   |   |   |   |   |   |   |       |    |      |       |   |   |   |   |   |   |   |   |       |    |      |       |   |   |   |   |   |   |   |   |       |    |      |       |   |   |   |   |   |   |   |   |       |    |      |       |   |   |   |   |   |   |   |   |       |    |      |       |       |   |   |   |   |   |   |   |       |    |      |       |       |   |   |   |   |   |   |   |       |    |      |       |       |   |   |   |   |   |   |   |       |    |      |       |       |   |   |   |   |   |   |   |       |    |      |       |       |   |   |   |   |   |   |   |       |    |      |       |       |   |   |   |   |   |   |   |       |    |      |       |       |   |   |   |   |   |   |   |       |    |      |       |       |   |   |   |   |   |   |   |       |    |      |       |       |       |   |   |   |   |   |   |       |    |   |   |       |       |   |   |   |   |   |   |       |    |   |   |       |       |   |   |   |   |   |   |       |     |   |   |       |       |   |   |   |   |   |   |       |     |   |   |       |       |   |   |   |   |   |   |       |     |   |   |       |       |   |   |   |   |   |   |       |     |   |   |       |       |   |   |   |   |   |   |       |     |   |   |   |       |   |   |   |   |   |   |       |     |   |   |   |       |   |   |   |   |   |   |       |     |   |   |   |       |       |   |   |   |   |   |       |     |   |   |   |       |       |   |   |   |   |   |      |     |   |   |   |       |      |   |   |   |   |   |      |     |   |   |   |   |      |   |   |   |   |   |      |     |   |   |   |   |      |   |   |   |   |   |      |     |   |   |   |   |      |   |   |   |   |   |      |     |   |   |   |   |      |   |   |      |   |   |      |     |   |   |   |   |   |   |   |      |   |   |      |     |   |   |   |   |   |   |   |      |   |      |      |     |   |   |   |   |   |   |   |   |   |      |      |     |   |   |   |   |   |   |   |   |   |   |      |     |   |   |   |   |   |   |   |   |   |   |      |     |   |   |   |   |   |   |   |   |   |   |      |
| 42   | 96,0  | 190,0   | -     | -      | -     | -           | - | -    | - | -    | 189,0       |      |  |  |  |  |  |  |  |  |  |  |      |     |  |  |  |  |  |  |  |  |  |  |             |                         |  |  |  |  |  |  |  |  |  |  |  |   |   |   |   |   |   |   |   |   |   |   |   |    |   |        |   |   |   |   |   |   |   |   |   |    |   |        |   |   |   |   |   |   |   |   |   |    |   |        |   |   |   |   |   |   |   |   |   |    |       |       |   |   |   |   |   |   |   |   |       |    |      |       |   |   |   |   |   |   |   |   |       |    |      |       |   |   |   |   |   |   |   |   |       |    |      |       |   |   |   |   |   |   |   |   |       |    |      |       |   |   |   |   |   |   |   |   |       |    |      |       |   |   |   |   |   |   |   |   |       |    |      |       |   |   |   |   |   |   |   |   |       |    |      |       |       |   |   |   |   |   |   |   |       |    |      |       |       |   |   |   |   |   |   |   |       |    |      |       |       |   |   |   |   |   |   |   |       |    |      |       |       |   |   |   |   |   |   |   |       |    |      |       |       |   |   |   |   |   |   |   |       |    |      |       |       |   |   |   |   |   |   |   |       |    |      |       |       |   |   |   |   |   |   |   |       |    |      |       |       |   |   |   |   |   |   |   |       |    |      |       |       |       |   |   |   |   |   |   |       |    |   |   |       |       |   |   |   |   |   |   |       |    |   |   |       |       |   |   |   |   |   |   |       |     |   |   |       |       |   |   |   |   |   |   |       |     |   |   |       |       |   |   |   |   |   |   |       |     |   |   |       |       |   |   |   |   |   |   |       |     |   |   |       |       |   |   |   |   |   |   |       |     |   |   |   |       |   |   |   |   |   |   |       |     |   |   |   |       |   |   |   |   |   |   |       |     |   |   |   |       |       |   |   |   |   |   |       |     |   |   |   |       |       |   |   |   |   |   |      |     |   |   |   |       |      |   |   |   |   |   |      |     |   |   |   |   |      |   |   |   |   |   |      |     |   |   |   |   |      |   |   |   |   |   |      |     |   |   |   |   |      |   |   |   |   |   |      |     |   |   |   |   |      |   |   |      |   |   |      |     |   |   |   |   |   |   |   |      |   |   |      |     |   |   |   |   |   |   |   |      |   |      |      |     |   |   |   |   |   |   |   |   |   |      |      |     |   |   |   |   |   |   |   |   |   |   |      |     |   |   |   |   |   |   |   |   |   |   |      |     |   |   |   |   |   |   |   |   |   |   |      |
| 46   | 85,5  | 185,0   | -     | -      | -     | -           | - | -    | - | -    | 189,0       |      |  |  |  |  |  |  |  |  |  |  |      |     |  |  |  |  |  |  |  |  |  |  |             |                         |  |  |  |  |  |  |  |  |  |  |  |   |   |   |   |   |   |   |   |   |   |   |   |    |   |        |   |   |   |   |   |   |   |   |   |    |   |        |   |   |   |   |   |   |   |   |   |    |   |        |   |   |   |   |   |   |   |   |   |    |       |       |   |   |   |   |   |   |   |   |       |    |      |       |   |   |   |   |   |   |   |   |       |    |      |       |   |   |   |   |   |   |   |   |       |    |      |       |   |   |   |   |   |   |   |   |       |    |      |       |   |   |   |   |   |   |   |   |       |    |      |       |   |   |   |   |   |   |   |   |       |    |      |       |   |   |   |   |   |   |   |   |       |    |      |       |       |   |   |   |   |   |   |   |       |    |      |       |       |   |   |   |   |   |   |   |       |    |      |       |       |   |   |   |   |   |   |   |       |    |      |       |       |   |   |   |   |   |   |   |       |    |      |       |       |   |   |   |   |   |   |   |       |    |      |       |       |   |   |   |   |   |   |   |       |    |      |       |       |   |   |   |   |   |   |   |       |    |      |       |       |   |   |   |   |   |   |   |       |    |      |       |       |       |   |   |   |   |   |   |       |    |   |   |       |       |   |   |   |   |   |   |       |    |   |   |       |       |   |   |   |   |   |   |       |     |   |   |       |       |   |   |   |   |   |   |       |     |   |   |       |       |   |   |   |   |   |   |       |     |   |   |       |       |   |   |   |   |   |   |       |     |   |   |       |       |   |   |   |   |   |   |       |     |   |   |   |       |   |   |   |   |   |   |       |     |   |   |   |       |   |   |   |   |   |   |       |     |   |   |   |       |       |   |   |   |   |   |       |     |   |   |   |       |       |   |   |   |   |   |      |     |   |   |   |       |      |   |   |   |   |   |      |     |   |   |   |   |      |   |   |   |   |   |      |     |   |   |   |   |      |   |   |   |   |   |      |     |   |   |   |   |      |   |   |   |   |   |      |     |   |   |   |   |      |   |   |      |   |   |      |     |   |   |   |   |   |   |   |      |   |   |      |     |   |   |   |   |   |   |   |      |   |      |      |     |   |   |   |   |   |   |   |   |   |      |      |     |   |   |   |   |   |   |   |   |   |   |      |     |   |   |   |   |   |   |   |   |   |   |      |     |   |   |   |   |   |   |   |   |   |   |      |
| 50   | 76,5  | 180,0   | -     | -      | -     | -           | - | -    | - | -    | 189,0       |      |  |  |  |  |  |  |  |  |  |  |      |     |  |  |  |  |  |  |  |  |  |  |             |                         |  |  |  |  |  |  |  |  |  |  |  |   |   |   |   |   |   |   |   |   |   |   |   |    |   |        |   |   |   |   |   |   |   |   |   |    |   |        |   |   |   |   |   |   |   |   |   |    |   |        |   |   |   |   |   |   |   |   |   |    |       |       |   |   |   |   |   |   |   |   |       |    |      |       |   |   |   |   |   |   |   |   |       |    |      |       |   |   |   |   |   |   |   |   |       |    |      |       |   |   |   |   |   |   |   |   |       |    |      |       |   |   |   |   |   |   |   |   |       |    |      |       |   |   |   |   |   |   |   |   |       |    |      |       |   |   |   |   |   |   |   |   |       |    |      |       |       |   |   |   |   |   |   |   |       |    |      |       |       |   |   |   |   |   |   |   |       |    |      |       |       |   |   |   |   |   |   |   |       |    |      |       |       |   |   |   |   |   |   |   |       |    |      |       |       |   |   |   |   |   |   |   |       |    |      |       |       |   |   |   |   |   |   |   |       |    |      |       |       |   |   |   |   |   |   |   |       |    |      |       |       |   |   |   |   |   |   |   |       |    |      |       |       |       |   |   |   |   |   |   |       |    |   |   |       |       |   |   |   |   |   |   |       |    |   |   |       |       |   |   |   |   |   |   |       |     |   |   |       |       |   |   |   |   |   |   |       |     |   |   |       |       |   |   |   |   |   |   |       |     |   |   |       |       |   |   |   |   |   |   |       |     |   |   |       |       |   |   |   |   |   |   |       |     |   |   |   |       |   |   |   |   |   |   |       |     |   |   |   |       |   |   |   |   |   |   |       |     |   |   |   |       |       |   |   |   |   |   |       |     |   |   |   |       |       |   |   |   |   |   |      |     |   |   |   |       |      |   |   |   |   |   |      |     |   |   |   |   |      |   |   |   |   |   |      |     |   |   |   |   |      |   |   |   |   |   |      |     |   |   |   |   |      |   |   |   |   |   |      |     |   |   |   |   |      |   |   |      |   |   |      |     |   |   |   |   |   |   |   |      |   |   |      |     |   |   |   |   |   |   |   |      |   |      |      |     |   |   |   |   |   |   |   |   |   |      |      |     |   |   |   |   |   |   |   |   |   |   |      |     |   |   |   |   |   |   |   |   |   |   |      |     |   |   |   |   |   |   |   |   |   |   |      |
| 54   | 68,5  | 175,0   | -     | -      | -     | -           | - | -    | - | -    | 189,0       |      |  |  |  |  |  |  |  |  |  |  |      |     |  |  |  |  |  |  |  |  |  |  |             |                         |  |  |  |  |  |  |  |  |  |  |  |   |   |   |   |   |   |   |   |   |   |   |   |    |   |        |   |   |   |   |   |   |   |   |   |    |   |        |   |   |   |   |   |   |   |   |   |    |   |        |   |   |   |   |   |   |   |   |   |    |       |       |   |   |   |   |   |   |   |   |       |    |      |       |   |   |   |   |   |   |   |   |       |    |      |       |   |   |   |   |   |   |   |   |       |    |      |       |   |   |   |   |   |   |   |   |       |    |      |       |   |   |   |   |   |   |   |   |       |    |      |       |   |   |   |   |   |   |   |   |       |    |      |       |   |   |   |   |   |   |   |   |       |    |      |       |       |   |   |   |   |   |   |   |       |    |      |       |       |   |   |   |   |   |   |   |       |    |      |       |       |   |   |   |   |   |   |   |       |    |      |       |       |   |   |   |   |   |   |   |       |    |      |       |       |   |   |   |   |   |   |   |       |    |      |       |       |   |   |   |   |   |   |   |       |    |      |       |       |   |   |   |   |   |   |   |       |    |      |       |       |   |   |   |   |   |   |   |       |    |      |       |       |       |   |   |   |   |   |   |       |    |   |   |       |       |   |   |   |   |   |   |       |    |   |   |       |       |   |   |   |   |   |   |       |     |   |   |       |       |   |   |   |   |   |   |       |     |   |   |       |       |   |   |   |   |   |   |       |     |   |   |       |       |   |   |   |   |   |   |       |     |   |   |       |       |   |   |   |   |   |   |       |     |   |   |   |       |   |   |   |   |   |   |       |     |   |   |   |       |   |   |   |   |   |   |       |     |   |   |   |       |       |   |   |   |   |   |       |     |   |   |   |       |       |   |   |   |   |   |      |     |   |   |   |       |      |   |   |   |   |   |      |     |   |   |   |   |      |   |   |   |   |   |      |     |   |   |   |   |      |   |   |   |   |   |      |     |   |   |   |   |      |   |   |   |   |   |      |     |   |   |   |   |      |   |   |      |   |   |      |     |   |   |   |   |   |   |   |      |   |   |      |     |   |   |   |   |   |   |   |      |   |      |      |     |   |   |   |   |   |   |   |   |   |      |      |     |   |   |   |   |   |   |   |   |   |   |      |     |   |   |   |   |   |   |   |   |   |   |      |     |   |   |   |   |   |   |   |   |   |   |      |
| 58   | 61,5  | 170,0   | -     | -      | -     | -           | - | -    | - | -    | 189,0       |      |  |  |  |  |  |  |  |  |  |  |      |     |  |  |  |  |  |  |  |  |  |  |             |                         |  |  |  |  |  |  |  |  |  |  |  |   |   |   |   |   |   |   |   |   |   |   |   |    |   |        |   |   |   |   |   |   |   |   |   |    |   |        |   |   |   |   |   |   |   |   |   |    |   |        |   |   |   |   |   |   |   |   |   |    |       |       |   |   |   |   |   |   |   |   |       |    |      |       |   |   |   |   |   |   |   |   |       |    |      |       |   |   |   |   |   |   |   |   |       |    |      |       |   |   |   |   |   |   |   |   |       |    |      |       |   |   |   |   |   |   |   |   |       |    |      |       |   |   |   |   |   |   |   |   |       |    |      |       |   |   |   |   |   |   |   |   |       |    |      |       |       |   |   |   |   |   |   |   |       |    |      |       |       |   |   |   |   |   |   |   |       |    |      |       |       |   |   |   |   |   |   |   |       |    |      |       |       |   |   |   |   |   |   |   |       |    |      |       |       |   |   |   |   |   |   |   |       |    |      |       |       |   |   |   |   |   |   |   |       |    |      |       |       |   |   |   |   |   |   |   |       |    |      |       |       |   |   |   |   |   |   |   |       |    |      |       |       |       |   |   |   |   |   |   |       |    |   |   |       |       |   |   |   |   |   |   |       |    |   |   |       |       |   |   |   |   |   |   |       |     |   |   |       |       |   |   |   |   |   |   |       |     |   |   |       |       |   |   |   |   |   |   |       |     |   |   |       |       |   |   |   |   |   |   |       |     |   |   |       |       |   |   |   |   |   |   |       |     |   |   |   |       |   |   |   |   |   |   |       |     |   |   |   |       |   |   |   |   |   |   |       |     |   |   |   |       |       |   |   |   |   |   |       |     |   |   |   |       |       |   |   |   |   |   |      |     |   |   |   |       |      |   |   |   |   |   |      |     |   |   |   |   |      |   |   |   |   |   |      |     |   |   |   |   |      |   |   |   |   |   |      |     |   |   |   |   |      |   |   |   |   |   |      |     |   |   |   |   |      |   |   |      |   |   |      |     |   |   |   |   |   |   |   |      |   |   |      |     |   |   |   |   |   |   |   |      |   |      |      |     |   |   |   |   |   |   |   |   |   |      |      |     |   |   |   |   |   |   |   |   |   |   |      |     |   |   |   |   |   |   |   |   |   |   |      |     |   |   |   |   |   |   |   |   |   |   |      |
| 62   | 55,5  | 165,0   | -     | -      | -     | -           | - | -    | - | -    | 187,0       |      |  |  |  |  |  |  |  |  |  |  |      |     |  |  |  |  |  |  |  |  |  |  |             |                         |  |  |  |  |  |  |  |  |  |  |  |   |   |   |   |   |   |   |   |   |   |   |   |    |   |        |   |   |   |   |   |   |   |   |   |    |   |        |   |   |   |   |   |   |   |   |   |    |   |        |   |   |   |   |   |   |   |   |   |    |       |       |   |   |   |   |   |   |   |   |       |    |      |       |   |   |   |   |   |   |   |   |       |    |      |       |   |   |   |   |   |   |   |   |       |    |      |       |   |   |   |   |   |   |   |   |       |    |      |       |   |   |   |   |   |   |   |   |       |    |      |       |   |   |   |   |   |   |   |   |       |    |      |       |   |   |   |   |   |   |   |   |       |    |      |       |       |   |   |   |   |   |   |   |       |    |      |       |       |   |   |   |   |   |   |   |       |    |      |       |       |   |   |   |   |   |   |   |       |    |      |       |       |   |   |   |   |   |   |   |       |    |      |       |       |   |   |   |   |   |   |   |       |    |      |       |       |   |   |   |   |   |   |   |       |    |      |       |       |   |   |   |   |   |   |   |       |    |      |       |       |   |   |   |   |   |   |   |       |    |      |       |       |       |   |   |   |   |   |   |       |    |   |   |       |       |   |   |   |   |   |   |       |    |   |   |       |       |   |   |   |   |   |   |       |     |   |   |       |       |   |   |   |   |   |   |       |     |   |   |       |       |   |   |   |   |   |   |       |     |   |   |       |       |   |   |   |   |   |   |       |     |   |   |       |       |   |   |   |   |   |   |       |     |   |   |   |       |   |   |   |   |   |   |       |     |   |   |   |       |   |   |   |   |   |   |       |     |   |   |   |       |       |   |   |   |   |   |       |     |   |   |   |       |       |   |   |   |   |   |      |     |   |   |   |       |      |   |   |   |   |   |      |     |   |   |   |   |      |   |   |   |   |   |      |     |   |   |   |   |      |   |   |   |   |   |      |     |   |   |   |   |      |   |   |   |   |   |      |     |   |   |   |   |      |   |   |      |   |   |      |     |   |   |   |   |   |   |   |      |   |   |      |     |   |   |   |   |   |   |   |      |   |      |      |     |   |   |   |   |   |   |   |   |   |      |      |     |   |   |   |   |   |   |   |   |   |   |      |     |   |   |   |   |   |   |   |   |   |   |      |     |   |   |   |   |   |   |   |   |   |   |      |
| 66   | 50,0  | 160,0   | 192,0 | -      | -     | -           | - | -    | - | -    | 184,0       |      |  |  |  |  |  |  |  |  |  |  |      |     |  |  |  |  |  |  |  |  |  |  |             |                         |  |  |  |  |  |  |  |  |  |  |  |   |   |   |   |   |   |   |   |   |   |   |   |    |   |        |   |   |   |   |   |   |   |   |   |    |   |        |   |   |   |   |   |   |   |   |   |    |   |        |   |   |   |   |   |   |   |   |   |    |       |       |   |   |   |   |   |   |   |   |       |    |      |       |   |   |   |   |   |   |   |   |       |    |      |       |   |   |   |   |   |   |   |   |       |    |      |       |   |   |   |   |   |   |   |   |       |    |      |       |   |   |   |   |   |   |   |   |       |    |      |       |   |   |   |   |   |   |   |   |       |    |      |       |   |   |   |   |   |   |   |   |       |    |      |       |       |   |   |   |   |   |   |   |       |    |      |       |       |   |   |   |   |   |   |   |       |    |      |       |       |   |   |   |   |   |   |   |       |    |      |       |       |   |   |   |   |   |   |   |       |    |      |       |       |   |   |   |   |   |   |   |       |    |      |       |       |   |   |   |   |   |   |   |       |    |      |       |       |   |   |   |   |   |   |   |       |    |      |       |       |   |   |   |   |   |   |   |       |    |      |       |       |       |   |   |   |   |   |   |       |    |   |   |       |       |   |   |   |   |   |   |       |    |   |   |       |       |   |   |   |   |   |   |       |     |   |   |       |       |   |   |   |   |   |   |       |     |   |   |       |       |   |   |   |   |   |   |       |     |   |   |       |       |   |   |   |   |   |   |       |     |   |   |       |       |   |   |   |   |   |   |       |     |   |   |   |       |   |   |   |   |   |   |       |     |   |   |   |       |   |   |   |   |   |   |       |     |   |   |   |       |       |   |   |   |   |   |       |     |   |   |   |       |       |   |   |   |   |   |      |     |   |   |   |       |      |   |   |   |   |   |      |     |   |   |   |   |      |   |   |   |   |   |      |     |   |   |   |   |      |   |   |   |   |   |      |     |   |   |   |   |      |   |   |   |   |   |      |     |   |   |   |   |      |   |   |      |   |   |      |     |   |   |   |   |   |   |   |      |   |   |      |     |   |   |   |   |   |   |   |      |   |      |      |     |   |   |   |   |   |   |   |   |   |      |      |     |   |   |   |   |   |   |   |   |   |   |      |     |   |   |   |   |   |   |   |   |   |   |      |     |   |   |   |   |   |   |   |   |   |   |      |
| 70   | 45,3  | 156,0   | 192,0 | -      | -     | -           | - | -    | - | -    | 181,0       |      |  |  |  |  |  |  |  |  |  |  |      |     |  |  |  |  |  |  |  |  |  |  |             |                         |  |  |  |  |  |  |  |  |  |  |  |   |   |   |   |   |   |   |   |   |   |   |   |    |   |        |   |   |   |   |   |   |   |   |   |    |   |        |   |   |   |   |   |   |   |   |   |    |   |        |   |   |   |   |   |   |   |   |   |    |       |       |   |   |   |   |   |   |   |   |       |    |      |       |   |   |   |   |   |   |   |   |       |    |      |       |   |   |   |   |   |   |   |   |       |    |      |       |   |   |   |   |   |   |   |   |       |    |      |       |   |   |   |   |   |   |   |   |       |    |      |       |   |   |   |   |   |   |   |   |       |    |      |       |   |   |   |   |   |   |   |   |       |    |      |       |       |   |   |   |   |   |   |   |       |    |      |       |       |   |   |   |   |   |   |   |       |    |      |       |       |   |   |   |   |   |   |   |       |    |      |       |       |   |   |   |   |   |   |   |       |    |      |       |       |   |   |   |   |   |   |   |       |    |      |       |       |   |   |   |   |   |   |   |       |    |      |       |       |   |   |   |   |   |   |   |       |    |      |       |       |   |   |   |   |   |   |   |       |    |      |       |       |       |   |   |   |   |   |   |       |    |   |   |       |       |   |   |   |   |   |   |       |    |   |   |       |       |   |   |   |   |   |   |       |     |   |   |       |       |   |   |   |   |   |   |       |     |   |   |       |       |   |   |   |   |   |   |       |     |   |   |       |       |   |   |   |   |   |   |       |     |   |   |       |       |   |   |   |   |   |   |       |     |   |   |   |       |   |   |   |   |   |   |       |     |   |   |   |       |   |   |   |   |   |   |       |     |   |   |   |       |       |   |   |   |   |   |       |     |   |   |   |       |       |   |   |   |   |   |      |     |   |   |   |       |      |   |   |   |   |   |      |     |   |   |   |   |      |   |   |   |   |   |      |     |   |   |   |   |      |   |   |   |   |   |      |     |   |   |   |   |      |   |   |   |   |   |      |     |   |   |   |   |      |   |   |      |   |   |      |     |   |   |   |   |   |   |   |      |   |   |      |     |   |   |   |   |   |   |   |      |   |      |      |     |   |   |   |   |   |   |   |   |   |      |      |     |   |   |   |   |   |   |   |   |   |   |      |     |   |   |   |   |   |   |   |   |   |   |      |     |   |   |   |   |   |   |   |   |   |   |      |
| 74   | 40,8  | 151,0   | 191,0 | -      | -     | -           | - | -    | - | -    | 177,0       |      |  |  |  |  |  |  |  |  |  |  |      |     |  |  |  |  |  |  |  |  |  |  |             |                         |  |  |  |  |  |  |  |  |  |  |  |   |   |   |   |   |   |   |   |   |   |   |   |    |   |        |   |   |   |   |   |   |   |   |   |    |   |        |   |   |   |   |   |   |   |   |   |    |   |        |   |   |   |   |   |   |   |   |   |    |       |       |   |   |   |   |   |   |   |   |       |    |      |       |   |   |   |   |   |   |   |   |       |    |      |       |   |   |   |   |   |   |   |   |       |    |      |       |   |   |   |   |   |   |   |   |       |    |      |       |   |   |   |   |   |   |   |   |       |    |      |       |   |   |   |   |   |   |   |   |       |    |      |       |   |   |   |   |   |   |   |   |       |    |      |       |       |   |   |   |   |   |   |   |       |    |      |       |       |   |   |   |   |   |   |   |       |    |      |       |       |   |   |   |   |   |   |   |       |    |      |       |       |   |   |   |   |   |   |   |       |    |      |       |       |   |   |   |   |   |   |   |       |    |      |       |       |   |   |   |   |   |   |   |       |    |      |       |       |   |   |   |   |   |   |   |       |    |      |       |       |   |   |   |   |   |   |   |       |    |      |       |       |       |   |   |   |   |   |   |       |    |   |   |       |       |   |   |   |   |   |   |       |    |   |   |       |       |   |   |   |   |   |   |       |     |   |   |       |       |   |   |   |   |   |   |       |     |   |   |       |       |   |   |   |   |   |   |       |     |   |   |       |       |   |   |   |   |   |   |       |     |   |   |       |       |   |   |   |   |   |   |       |     |   |   |   |       |   |   |   |   |   |   |       |     |   |   |   |       |   |   |   |   |   |   |       |     |   |   |   |       |       |   |   |   |   |   |       |     |   |   |   |       |       |   |   |   |   |   |      |     |   |   |   |       |      |   |   |   |   |   |      |     |   |   |   |   |      |   |   |   |   |   |      |     |   |   |   |   |      |   |   |   |   |   |      |     |   |   |   |   |      |   |   |   |   |   |      |     |   |   |   |   |      |   |   |      |   |   |      |     |   |   |   |   |   |   |   |      |   |   |      |     |   |   |   |   |   |   |   |      |   |      |      |     |   |   |   |   |   |   |   |   |   |      |      |     |   |   |   |   |   |   |   |   |   |   |      |     |   |   |   |   |   |   |   |   |   |   |      |     |   |   |   |   |   |   |   |   |   |   |      |
| 78   | 36,8  | 146,0   | 189,0 | -      | -     | -           | - | -    | - | -    | 174,0       |      |  |  |  |  |  |  |  |  |  |  |      |     |  |  |  |  |  |  |  |  |  |  |             |                         |  |  |  |  |  |  |  |  |  |  |  |   |   |   |   |   |   |   |   |   |   |   |   |    |   |        |   |   |   |   |   |   |   |   |   |    |   |        |   |   |   |   |   |   |   |   |   |    |   |        |   |   |   |   |   |   |   |   |   |    |       |       |   |   |   |   |   |   |   |   |       |    |      |       |   |   |   |   |   |   |   |   |       |    |      |       |   |   |   |   |   |   |   |   |       |    |      |       |   |   |   |   |   |   |   |   |       |    |      |       |   |   |   |   |   |   |   |   |       |    |      |       |   |   |   |   |   |   |   |   |       |    |      |       |   |   |   |   |   |   |   |   |       |    |      |       |       |   |   |   |   |   |   |   |       |    |      |       |       |   |   |   |   |   |   |   |       |    |      |       |       |   |   |   |   |   |   |   |       |    |      |       |       |   |   |   |   |   |   |   |       |    |      |       |       |   |   |   |   |   |   |   |       |    |      |       |       |   |   |   |   |   |   |   |       |    |      |       |       |   |   |   |   |   |   |   |       |    |      |       |       |   |   |   |   |   |   |   |       |    |      |       |       |       |   |   |   |   |   |   |       |    |   |   |       |       |   |   |   |   |   |   |       |    |   |   |       |       |   |   |   |   |   |   |       |     |   |   |       |       |   |   |   |   |   |   |       |     |   |   |       |       |   |   |   |   |   |   |       |     |   |   |       |       |   |   |   |   |   |   |       |     |   |   |       |       |   |   |   |   |   |   |       |     |   |   |   |       |   |   |   |   |   |   |       |     |   |   |   |       |   |   |   |   |   |   |       |     |   |   |   |       |       |   |   |   |   |   |       |     |   |   |   |       |       |   |   |   |   |   |      |     |   |   |   |       |      |   |   |   |   |   |      |     |   |   |   |   |      |   |   |   |   |   |      |     |   |   |   |   |      |   |   |   |   |   |      |     |   |   |   |   |      |   |   |   |   |   |      |     |   |   |   |   |      |   |   |      |   |   |      |     |   |   |   |   |   |   |   |      |   |   |      |     |   |   |   |   |   |   |   |      |   |      |      |     |   |   |   |   |   |   |   |   |   |      |      |     |   |   |   |   |   |   |   |   |   |   |      |     |   |   |   |   |   |   |   |   |   |   |      |     |   |   |   |   |   |   |   |   |   |   |      |
| 80   | 35,0  | 141,0   | 188,0 | -      | -     | -           | - | -    | - | -    | 170,0       |      |  |  |  |  |  |  |  |  |  |  |      |     |  |  |  |  |  |  |  |  |  |  |             |                         |  |  |  |  |  |  |  |  |  |  |  |   |   |   |   |   |   |   |   |   |   |   |   |    |   |        |   |   |   |   |   |   |   |   |   |    |   |        |   |   |   |   |   |   |   |   |   |    |   |        |   |   |   |   |   |   |   |   |   |    |       |       |   |   |   |   |   |   |   |   |       |    |      |       |   |   |   |   |   |   |   |   |       |    |      |       |   |   |   |   |   |   |   |   |       |    |      |       |   |   |   |   |   |   |   |   |       |    |      |       |   |   |   |   |   |   |   |   |       |    |      |       |   |   |   |   |   |   |   |   |       |    |      |       |   |   |   |   |   |   |   |   |       |    |      |       |       |   |   |   |   |   |   |   |       |    |      |       |       |   |   |   |   |   |   |   |       |    |      |       |       |   |   |   |   |   |   |   |       |    |      |       |       |   |   |   |   |   |   |   |       |    |      |       |       |   |   |   |   |   |   |   |       |    |      |       |       |   |   |   |   |   |   |   |       |    |      |       |       |   |   |   |   |   |   |   |       |    |      |       |       |   |   |   |   |   |   |   |       |    |      |       |       |       |   |   |   |   |   |   |       |    |   |   |       |       |   |   |   |   |   |   |       |    |   |   |       |       |   |   |   |   |   |   |       |     |   |   |       |       |   |   |   |   |   |   |       |     |   |   |       |       |   |   |   |   |   |   |       |     |   |   |       |       |   |   |   |   |   |   |       |     |   |   |       |       |   |   |   |   |   |   |       |     |   |   |   |       |   |   |   |   |   |   |       |     |   |   |   |       |   |   |   |   |   |   |       |     |   |   |   |       |       |   |   |   |   |   |       |     |   |   |   |       |       |   |   |   |   |   |      |     |   |   |   |       |      |   |   |   |   |   |      |     |   |   |   |   |      |   |   |   |   |   |      |     |   |   |   |   |      |   |   |   |   |   |      |     |   |   |   |   |      |   |   |   |   |   |      |     |   |   |   |   |      |   |   |      |   |   |      |     |   |   |   |   |   |   |   |      |   |   |      |     |   |   |   |   |   |   |   |      |   |      |      |     |   |   |   |   |   |   |   |   |   |      |      |     |   |   |   |   |   |   |   |   |   |   |      |     |   |   |   |   |   |   |   |   |   |   |      |     |   |   |   |   |   |   |   |   |   |   |      |
| 82   | -     | -       | 186,0 | -      | -     | -           | - | -    | - | -    | 168,0       |      |  |  |  |  |  |  |  |  |  |  |      |     |  |  |  |  |  |  |  |  |  |  |             |                         |  |  |  |  |  |  |  |  |  |  |  |   |   |   |   |   |   |   |   |   |   |   |   |    |   |        |   |   |   |   |   |   |   |   |   |    |   |        |   |   |   |   |   |   |   |   |   |    |   |        |   |   |   |   |   |   |   |   |   |    |       |       |   |   |   |   |   |   |   |   |       |    |      |       |   |   |   |   |   |   |   |   |       |    |      |       |   |   |   |   |   |   |   |   |       |    |      |       |   |   |   |   |   |   |   |   |       |    |      |       |   |   |   |   |   |   |   |   |       |    |      |       |   |   |   |   |   |   |   |   |       |    |      |       |   |   |   |   |   |   |   |   |       |    |      |       |       |   |   |   |   |   |   |   |       |    |      |       |       |   |   |   |   |   |   |   |       |    |      |       |       |   |   |   |   |   |   |   |       |    |      |       |       |   |   |   |   |   |   |   |       |    |      |       |       |   |   |   |   |   |   |   |       |    |      |       |       |   |   |   |   |   |   |   |       |    |      |       |       |   |   |   |   |   |   |   |       |    |      |       |       |   |   |   |   |   |   |   |       |    |      |       |       |       |   |   |   |   |   |   |       |    |   |   |       |       |   |   |   |   |   |   |       |    |   |   |       |       |   |   |   |   |   |   |       |     |   |   |       |       |   |   |   |   |   |   |       |     |   |   |       |       |   |   |   |   |   |   |       |     |   |   |       |       |   |   |   |   |   |   |       |     |   |   |       |       |   |   |   |   |   |   |       |     |   |   |   |       |   |   |   |   |   |   |       |     |   |   |   |       |   |   |   |   |   |   |       |     |   |   |   |       |       |   |   |   |   |   |       |     |   |   |   |       |       |   |   |   |   |   |      |     |   |   |   |       |      |   |   |   |   |   |      |     |   |   |   |   |      |   |   |   |   |   |      |     |   |   |   |   |      |   |   |   |   |   |      |     |   |   |   |   |      |   |   |   |   |   |      |     |   |   |   |   |      |   |   |      |   |   |      |     |   |   |   |   |   |   |   |      |   |   |      |     |   |   |   |   |   |   |   |      |   |      |      |     |   |   |   |   |   |   |   |   |   |      |      |     |   |   |   |   |   |   |   |   |   |   |      |     |   |   |   |   |   |   |   |   |   |   |      |     |   |   |   |   |   |   |   |   |   |   |      |
| 86   | -     | -       | 181,0 | -      | -     | -           | - | -    | - | -    | 164,0       |      |  |  |  |  |  |  |  |  |  |  |      |     |  |  |  |  |  |  |  |  |  |  |             |                         |  |  |  |  |  |  |  |  |  |  |  |   |   |   |   |   |   |   |   |   |   |   |   |    |   |        |   |   |   |   |   |   |   |   |   |    |   |        |   |   |   |   |   |   |   |   |   |    |   |        |   |   |   |   |   |   |   |   |   |    |       |       |   |   |   |   |   |   |   |   |       |    |      |       |   |   |   |   |   |   |   |   |       |    |      |       |   |   |   |   |   |   |   |   |       |    |      |       |   |   |   |   |   |   |   |   |       |    |      |       |   |   |   |   |   |   |   |   |       |    |      |       |   |   |   |   |   |   |   |   |       |    |      |       |   |   |   |   |   |   |   |   |       |    |      |       |       |   |   |   |   |   |   |   |       |    |      |       |       |   |   |   |   |   |   |   |       |    |      |       |       |   |   |   |   |   |   |   |       |    |      |       |       |   |   |   |   |   |   |   |       |    |      |       |       |   |   |   |   |   |   |   |       |    |      |       |       |   |   |   |   |   |   |   |       |    |      |       |       |   |   |   |   |   |   |   |       |    |      |       |       |   |   |   |   |   |   |   |       |    |      |       |       |       |   |   |   |   |   |   |       |    |   |   |       |       |   |   |   |   |   |   |       |    |   |   |       |       |   |   |   |   |   |   |       |     |   |   |       |       |   |   |   |   |   |   |       |     |   |   |       |       |   |   |   |   |   |   |       |     |   |   |       |       |   |   |   |   |   |   |       |     |   |   |       |       |   |   |   |   |   |   |       |     |   |   |   |       |   |   |   |   |   |   |       |     |   |   |   |       |   |   |   |   |   |   |       |     |   |   |   |       |       |   |   |   |   |   |       |     |   |   |   |       |       |   |   |   |   |   |      |     |   |   |   |       |      |   |   |   |   |   |      |     |   |   |   |   |      |   |   |   |   |   |      |     |   |   |   |   |      |   |   |   |   |   |      |     |   |   |   |   |      |   |   |   |   |   |      |     |   |   |   |   |      |   |   |      |   |   |      |     |   |   |   |   |   |   |   |      |   |   |      |     |   |   |   |   |   |   |   |      |   |      |      |     |   |   |   |   |   |   |   |   |   |      |      |     |   |   |   |   |   |   |   |   |   |   |      |     |   |   |   |   |   |   |   |   |   |   |      |     |   |   |   |   |   |   |   |   |   |   |      |
| 90   | -     | -       | 178,0 | -      | -     | -           | - | -    | - | -    | 161,0       |      |  |  |  |  |  |  |  |  |  |  |      |     |  |  |  |  |  |  |  |  |  |  |             |                         |  |  |  |  |  |  |  |  |  |  |  |   |   |   |   |   |   |   |   |   |   |   |   |    |   |        |   |   |   |   |   |   |   |   |   |    |   |        |   |   |   |   |   |   |   |   |   |    |   |        |   |   |   |   |   |   |   |   |   |    |       |       |   |   |   |   |   |   |   |   |       |    |      |       |   |   |   |   |   |   |   |   |       |    |      |       |   |   |   |   |   |   |   |   |       |    |      |       |   |   |   |   |   |   |   |   |       |    |      |       |   |   |   |   |   |   |   |   |       |    |      |       |   |   |   |   |   |   |   |   |       |    |      |       |   |   |   |   |   |   |   |   |       |    |      |       |       |   |   |   |   |   |   |   |       |    |      |       |       |   |   |   |   |   |   |   |       |    |      |       |       |   |   |   |   |   |   |   |       |    |      |       |       |   |   |   |   |   |   |   |       |    |      |       |       |   |   |   |   |   |   |   |       |    |      |       |       |   |   |   |   |   |   |   |       |    |      |       |       |   |   |   |   |   |   |   |       |    |      |       |       |   |   |   |   |   |   |   |       |    |      |       |       |       |   |   |   |   |   |   |       |    |   |   |       |       |   |   |   |   |   |   |       |    |   |   |       |       |   |   |   |   |   |   |       |     |   |   |       |       |   |   |   |   |   |   |       |     |   |   |       |       |   |   |   |   |   |   |       |     |   |   |       |       |   |   |   |   |   |   |       |     |   |   |       |       |   |   |   |   |   |   |       |     |   |   |   |       |   |   |   |   |   |   |       |     |   |   |   |       |   |   |   |   |   |   |       |     |   |   |   |       |       |   |   |   |   |   |       |     |   |   |   |       |       |   |   |   |   |   |      |     |   |   |   |       |      |   |   |   |   |   |      |     |   |   |   |   |      |   |   |   |   |   |      |     |   |   |   |   |      |   |   |   |   |   |      |     |   |   |   |   |      |   |   |   |   |   |      |     |   |   |   |   |      |   |   |      |   |   |      |     |   |   |   |   |   |   |   |      |   |   |      |     |   |   |   |   |   |   |   |      |   |      |      |     |   |   |   |   |   |   |   |   |   |      |      |     |   |   |   |   |   |   |   |   |   |   |      |     |   |   |   |   |   |   |   |   |   |   |      |     |   |   |   |   |   |   |   |   |   |   |      |
| 92   | -     | -       | 173,0 | 164,0  | -     | -           | - | -    | - | -    | 158,5       |      |  |  |  |  |  |  |  |  |  |  |      |     |  |  |  |  |  |  |  |  |  |  |             |                         |  |  |  |  |  |  |  |  |  |  |  |   |   |   |   |   |   |   |   |   |   |   |   |    |   |        |   |   |   |   |   |   |   |   |   |    |   |        |   |   |   |   |   |   |   |   |   |    |   |        |   |   |   |   |   |   |   |   |   |    |       |       |   |   |   |   |   |   |   |   |       |    |      |       |   |   |   |   |   |   |   |   |       |    |      |       |   |   |   |   |   |   |   |   |       |    |      |       |   |   |   |   |   |   |   |   |       |    |      |       |   |   |   |   |   |   |   |   |       |    |      |       |   |   |   |   |   |   |   |   |       |    |      |       |   |   |   |   |   |   |   |   |       |    |      |       |       |   |   |   |   |   |   |   |       |    |      |       |       |   |   |   |   |   |   |   |       |    |      |       |       |   |   |   |   |   |   |   |       |    |      |       |       |   |   |   |   |   |   |   |       |    |      |       |       |   |   |   |   |   |   |   |       |    |      |       |       |   |   |   |   |   |   |   |       |    |      |       |       |   |   |   |   |   |   |   |       |    |      |       |       |   |   |   |   |   |   |   |       |    |      |       |       |       |   |   |   |   |   |   |       |    |   |   |       |       |   |   |   |   |   |   |       |    |   |   |       |       |   |   |   |   |   |   |       |     |   |   |       |       |   |   |   |   |   |   |       |     |   |   |       |       |   |   |   |   |   |   |       |     |   |   |       |       |   |   |   |   |   |   |       |     |   |   |       |       |   |   |   |   |   |   |       |     |   |   |   |       |   |   |   |   |   |   |       |     |   |   |   |       |   |   |   |   |   |   |       |     |   |   |   |       |       |   |   |   |   |   |       |     |   |   |   |       |       |   |   |   |   |   |      |     |   |   |   |       |      |   |   |   |   |   |      |     |   |   |   |   |      |   |   |   |   |   |      |     |   |   |   |   |      |   |   |   |   |   |      |     |   |   |   |   |      |   |   |   |   |   |      |     |   |   |   |   |      |   |   |      |   |   |      |     |   |   |   |   |   |   |   |      |   |   |      |     |   |   |   |   |   |   |   |      |   |      |      |     |   |   |   |   |   |   |   |   |   |      |      |     |   |   |   |   |   |   |   |   |   |   |      |     |   |   |   |   |   |   |   |   |   |   |      |     |   |   |   |   |   |   |   |   |   |   |      |
| 94   | -     | -       | 166,0 | 160,0  | -     | -           | - | -    | - | -    | 156,0       |      |  |  |  |  |  |  |  |  |  |  |      |     |  |  |  |  |  |  |  |  |  |  |             |                         |  |  |  |  |  |  |  |  |  |  |  |   |   |   |   |   |   |   |   |   |   |   |   |    |   |        |   |   |   |   |   |   |   |   |   |    |   |        |   |   |   |   |   |   |   |   |   |    |   |        |   |   |   |   |   |   |   |   |   |    |       |       |   |   |   |   |   |   |   |   |       |    |      |       |   |   |   |   |   |   |   |   |       |    |      |       |   |   |   |   |   |   |   |   |       |    |      |       |   |   |   |   |   |   |   |   |       |    |      |       |   |   |   |   |   |   |   |   |       |    |      |       |   |   |   |   |   |   |   |   |       |    |      |       |   |   |   |   |   |   |   |   |       |    |      |       |       |   |   |   |   |   |   |   |       |    |      |       |       |   |   |   |   |   |   |   |       |    |      |       |       |   |   |   |   |   |   |   |       |    |      |       |       |   |   |   |   |   |   |   |       |    |      |       |       |   |   |   |   |   |   |   |       |    |      |       |       |   |   |   |   |   |   |   |       |    |      |       |       |   |   |   |   |   |   |   |       |    |      |       |       |   |   |   |   |   |   |   |       |    |      |       |       |       |   |   |   |   |   |   |       |    |   |   |       |       |   |   |   |   |   |   |       |    |   |   |       |       |   |   |   |   |   |   |       |     |   |   |       |       |   |   |   |   |   |   |       |     |   |   |       |       |   |   |   |   |   |   |       |     |   |   |       |       |   |   |   |   |   |   |       |     |   |   |       |       |   |   |   |   |   |   |       |     |   |   |   |       |   |   |   |   |   |   |       |     |   |   |   |       |   |   |   |   |   |   |       |     |   |   |   |       |       |   |   |   |   |   |       |     |   |   |   |       |       |   |   |   |   |   |      |     |   |   |   |       |      |   |   |   |   |   |      |     |   |   |   |   |      |   |   |   |   |   |      |     |   |   |   |   |      |   |   |   |   |   |      |     |   |   |   |   |      |   |   |   |   |   |      |     |   |   |   |   |      |   |   |      |   |   |      |     |   |   |   |   |   |   |   |      |   |   |      |     |   |   |   |   |   |   |   |      |   |      |      |     |   |   |   |   |   |   |   |   |   |      |      |     |   |   |   |   |   |   |   |   |   |   |      |     |   |   |   |   |   |   |   |   |   |   |      |     |   |   |   |   |   |   |   |   |   |   |      |
| 96   | -     | -       | 156,0 | 155,0  | -     | -           | - | -    | - | -    | 150,0       |      |  |  |  |  |  |  |  |  |  |  |      |     |  |  |  |  |  |  |  |  |  |  |             |                         |  |  |  |  |  |  |  |  |  |  |  |   |   |   |   |   |   |   |   |   |   |   |   |    |   |        |   |   |   |   |   |   |   |   |   |    |   |        |   |   |   |   |   |   |   |   |   |    |   |        |   |   |   |   |   |   |   |   |   |    |       |       |   |   |   |   |   |   |   |   |       |    |      |       |   |   |   |   |   |   |   |   |       |    |      |       |   |   |   |   |   |   |   |   |       |    |      |       |   |   |   |   |   |   |   |   |       |    |      |       |   |   |   |   |   |   |   |   |       |    |      |       |   |   |   |   |   |   |   |   |       |    |      |       |   |   |   |   |   |   |   |   |       |    |      |       |       |   |   |   |   |   |   |   |       |    |      |       |       |   |   |   |   |   |   |   |       |    |      |       |       |   |   |   |   |   |   |   |       |    |      |       |       |   |   |   |   |   |   |   |       |    |      |       |       |   |   |   |   |   |   |   |       |    |      |       |       |   |   |   |   |   |   |   |       |    |      |       |       |   |   |   |   |   |   |   |       |    |      |       |       |   |   |   |   |   |   |   |       |    |      |       |       |       |   |   |   |   |   |   |       |    |   |   |       |       |   |   |   |   |   |   |       |    |   |   |       |       |   |   |   |   |   |   |       |     |   |   |       |       |   |   |   |   |   |   |       |     |   |   |       |       |   |   |   |   |   |   |       |     |   |   |       |       |   |   |   |   |   |   |       |     |   |   |       |       |   |   |   |   |   |   |       |     |   |   |   |       |   |   |   |   |   |   |       |     |   |   |   |       |   |   |   |   |   |   |       |     |   |   |   |       |       |   |   |   |   |   |       |     |   |   |   |       |       |   |   |   |   |   |      |     |   |   |   |       |      |   |   |   |   |   |      |     |   |   |   |   |      |   |   |   |   |   |      |     |   |   |   |   |      |   |   |   |   |   |      |     |   |   |   |   |      |   |   |   |   |   |      |     |   |   |   |   |      |   |   |      |   |   |      |     |   |   |   |   |   |   |   |      |   |   |      |     |   |   |   |   |   |   |   |      |   |      |      |     |   |   |   |   |   |   |   |   |   |      |      |     |   |   |   |   |   |   |   |   |   |   |      |     |   |   |   |   |   |   |   |   |   |   |      |     |   |   |   |   |   |   |   |   |   |   |      |
| 98   | -     | -       | -     | 151,0  | -     | -           | - | -    | - | -    | 144,0       |      |  |  |  |  |  |  |  |  |  |  |      |     |  |  |  |  |  |  |  |  |  |  |             |                         |  |  |  |  |  |  |  |  |  |  |  |   |   |   |   |   |   |   |   |   |   |   |   |    |   |        |   |   |   |   |   |   |   |   |   |    |   |        |   |   |   |   |   |   |   |   |   |    |   |        |   |   |   |   |   |   |   |   |   |    |       |       |   |   |   |   |   |   |   |   |       |    |      |       |   |   |   |   |   |   |   |   |       |    |      |       |   |   |   |   |   |   |   |   |       |    |      |       |   |   |   |   |   |   |   |   |       |    |      |       |   |   |   |   |   |   |   |   |       |    |      |       |   |   |   |   |   |   |   |   |       |    |      |       |   |   |   |   |   |   |   |   |       |    |      |       |       |   |   |   |   |   |   |   |       |    |      |       |       |   |   |   |   |   |   |   |       |    |      |       |       |   |   |   |   |   |   |   |       |    |      |       |       |   |   |   |   |   |   |   |       |    |      |       |       |   |   |   |   |   |   |   |       |    |      |       |       |   |   |   |   |   |   |   |       |    |      |       |       |   |   |   |   |   |   |   |       |    |      |       |       |   |   |   |   |   |   |   |       |    |      |       |       |       |   |   |   |   |   |   |       |    |   |   |       |       |   |   |   |   |   |   |       |    |   |   |       |       |   |   |   |   |   |   |       |     |   |   |       |       |   |   |   |   |   |   |       |     |   |   |       |       |   |   |   |   |   |   |       |     |   |   |       |       |   |   |   |   |   |   |       |     |   |   |       |       |   |   |   |   |   |   |       |     |   |   |   |       |   |   |   |   |   |   |       |     |   |   |   |       |   |   |   |   |   |   |       |     |   |   |   |       |       |   |   |   |   |   |       |     |   |   |   |       |       |   |   |   |   |   |      |     |   |   |   |       |      |   |   |   |   |   |      |     |   |   |   |   |      |   |   |   |   |   |      |     |   |   |   |   |      |   |   |   |   |   |      |     |   |   |   |   |      |   |   |   |   |   |      |     |   |   |   |   |      |   |   |      |   |   |      |     |   |   |   |   |   |   |   |      |   |   |      |     |   |   |   |   |   |   |   |      |   |      |      |     |   |   |   |   |   |   |   |   |   |      |      |     |   |   |   |   |   |   |   |   |   |   |      |     |   |   |   |   |   |   |   |   |   |   |      |     |   |   |   |   |   |   |   |   |   |   |      |
| 102  | -     | -       | -     | 143,0  | -     | -           | - | -    | - | -    | 133,0       |      |  |  |  |  |  |  |  |  |  |  |      |     |  |  |  |  |  |  |  |  |  |  |             |                         |  |  |  |  |  |  |  |  |  |  |  |   |   |   |   |   |   |   |   |   |   |   |   |    |   |        |   |   |   |   |   |   |   |   |   |    |   |        |   |   |   |   |   |   |   |   |   |    |   |        |   |   |   |   |   |   |   |   |   |    |       |       |   |   |   |   |   |   |   |   |       |    |      |       |   |   |   |   |   |   |   |   |       |    |      |       |   |   |   |   |   |   |   |   |       |    |      |       |   |   |   |   |   |   |   |   |       |    |      |       |   |   |   |   |   |   |   |   |       |    |      |       |   |   |   |   |   |   |   |   |       |    |      |       |   |   |   |   |   |   |   |   |       |    |      |       |       |   |   |   |   |   |   |   |       |    |      |       |       |   |   |   |   |   |   |   |       |    |      |       |       |   |   |   |   |   |   |   |       |    |      |       |       |   |   |   |   |   |   |   |       |    |      |       |       |   |   |   |   |   |   |   |       |    |      |       |       |   |   |   |   |   |   |   |       |    |      |       |       |   |   |   |   |   |   |   |       |    |      |       |       |   |   |   |   |   |   |   |       |    |      |       |       |       |   |   |   |   |   |   |       |    |   |   |       |       |   |   |   |   |   |   |       |    |   |   |       |       |   |   |   |   |   |   |       |     |   |   |       |       |   |   |   |   |   |   |       |     |   |   |       |       |   |   |   |   |   |   |       |     |   |   |       |       |   |   |   |   |   |   |       |     |   |   |       |       |   |   |   |   |   |   |       |     |   |   |   |       |   |   |   |   |   |   |       |     |   |   |   |       |   |   |   |   |   |   |       |     |   |   |   |       |       |   |   |   |   |   |       |     |   |   |   |       |       |   |   |   |   |   |      |     |   |   |   |       |      |   |   |   |   |   |      |     |   |   |   |   |      |   |   |   |   |   |      |     |   |   |   |   |      |   |   |   |   |   |      |     |   |   |   |   |      |   |   |   |   |   |      |     |   |   |   |   |      |   |   |      |   |   |      |     |   |   |   |   |   |   |   |      |   |   |      |     |   |   |   |   |   |   |   |      |   |      |      |     |   |   |   |   |   |   |   |   |   |      |      |     |   |   |   |   |   |   |   |   |   |   |      |     |   |   |   |   |   |   |   |   |   |   |      |     |   |   |   |   |   |   |   |   |   |   |      |
| 106  | -     | -       | -     | 136,0  | -     | -           | - | -    | - | -    | 122,0       |      |  |  |  |  |  |  |  |  |  |  |      |     |  |  |  |  |  |  |  |  |  |  |             |                         |  |  |  |  |  |  |  |  |  |  |  |   |   |   |   |   |   |   |   |   |   |   |   |    |   |        |   |   |   |   |   |   |   |   |   |    |   |        |   |   |   |   |   |   |   |   |   |    |   |        |   |   |   |   |   |   |   |   |   |    |       |       |   |   |   |   |   |   |   |   |       |    |      |       |   |   |   |   |   |   |   |   |       |    |      |       |   |   |   |   |   |   |   |   |       |    |      |       |   |   |   |   |   |   |   |   |       |    |      |       |   |   |   |   |   |   |   |   |       |    |      |       |   |   |   |   |   |   |   |   |       |    |      |       |   |   |   |   |   |   |   |   |       |    |      |       |       |   |   |   |   |   |   |   |       |    |      |       |       |   |   |   |   |   |   |   |       |    |      |       |       |   |   |   |   |   |   |   |       |    |      |       |       |   |   |   |   |   |   |   |       |    |      |       |       |   |   |   |   |   |   |   |       |    |      |       |       |   |   |   |   |   |   |   |       |    |      |       |       |   |   |   |   |   |   |   |       |    |      |       |       |   |   |   |   |   |   |   |       |    |      |       |       |       |   |   |   |   |   |   |       |    |   |   |       |       |   |   |   |   |   |   |       |    |   |   |       |       |   |   |   |   |   |   |       |     |   |   |       |       |   |   |   |   |   |   |       |     |   |   |       |       |   |   |   |   |   |   |       |     |   |   |       |       |   |   |   |   |   |   |       |     |   |   |       |       |   |   |   |   |   |   |       |     |   |   |   |       |   |   |   |   |   |   |       |     |   |   |   |       |   |   |   |   |   |   |       |     |   |   |   |       |       |   |   |   |   |   |       |     |   |   |   |       |       |   |   |   |   |   |      |     |   |   |   |       |      |   |   |   |   |   |      |     |   |   |   |   |      |   |   |   |   |   |      |     |   |   |   |   |      |   |   |   |   |   |      |     |   |   |   |   |      |   |   |   |   |   |      |     |   |   |   |   |      |   |   |      |   |   |      |     |   |   |   |   |   |   |   |      |   |   |      |     |   |   |   |   |   |   |   |      |   |      |      |     |   |   |   |   |   |   |   |   |   |      |      |     |   |   |   |   |   |   |   |   |   |   |      |     |   |   |   |   |   |   |   |   |   |   |      |     |   |   |   |   |   |   |   |   |   |   |      |
| 110  | -     | -       | -     | 130,0  | -     | -           | - | -    | - | -    | 113,0       |      |  |  |  |  |  |  |  |  |  |  |      |     |  |  |  |  |  |  |  |  |  |  |             |                         |  |  |  |  |  |  |  |  |  |  |  |   |   |   |   |   |   |   |   |   |   |   |   |    |   |        |   |   |   |   |   |   |   |   |   |    |   |        |   |   |   |   |   |   |   |   |   |    |   |        |   |   |   |   |   |   |   |   |   |    |       |       |   |   |   |   |   |   |   |   |       |    |      |       |   |   |   |   |   |   |   |   |       |    |      |       |   |   |   |   |   |   |   |   |       |    |      |       |   |   |   |   |   |   |   |   |       |    |      |       |   |   |   |   |   |   |   |   |       |    |      |       |   |   |   |   |   |   |   |   |       |    |      |       |   |   |   |   |   |   |   |   |       |    |      |       |       |   |   |   |   |   |   |   |       |    |      |       |       |   |   |   |   |   |   |   |       |    |      |       |       |   |   |   |   |   |   |   |       |    |      |       |       |   |   |   |   |   |   |   |       |    |      |       |       |   |   |   |   |   |   |   |       |    |      |       |       |   |   |   |   |   |   |   |       |    |      |       |       |   |   |   |   |   |   |   |       |    |      |       |       |   |   |   |   |   |   |   |       |    |      |       |       |       |   |   |   |   |   |   |       |    |   |   |       |       |   |   |   |   |   |   |       |    |   |   |       |       |   |   |   |   |   |   |       |     |   |   |       |       |   |   |   |   |   |   |       |     |   |   |       |       |   |   |   |   |   |   |       |     |   |   |       |       |   |   |   |   |   |   |       |     |   |   |       |       |   |   |   |   |   |   |       |     |   |   |   |       |   |   |   |   |   |   |       |     |   |   |   |       |   |   |   |   |   |   |       |     |   |   |   |       |       |   |   |   |   |   |       |     |   |   |   |       |       |   |   |   |   |   |      |     |   |   |   |       |      |   |   |   |   |   |      |     |   |   |   |   |      |   |   |   |   |   |      |     |   |   |   |   |      |   |   |   |   |   |      |     |   |   |   |   |      |   |   |   |   |   |      |     |   |   |   |   |      |   |   |      |   |   |      |     |   |   |   |   |   |   |   |      |   |   |      |     |   |   |   |   |   |   |   |      |   |      |      |     |   |   |   |   |   |   |   |   |   |      |      |     |   |   |   |   |   |   |   |   |   |   |      |     |   |   |   |   |   |   |   |   |   |   |      |     |   |   |   |   |   |   |   |   |   |   |      |
| 112  | -     | -       | -     | 127,0  | -     | -           | - | -    | - | -    | 108,5       |      |  |  |  |  |  |  |  |  |  |  |      |     |  |  |  |  |  |  |  |  |  |  |             |                         |  |  |  |  |  |  |  |  |  |  |  |   |   |   |   |   |   |   |   |   |   |   |   |    |   |        |   |   |   |   |   |   |   |   |   |    |   |        |   |   |   |   |   |   |   |   |   |    |   |        |   |   |   |   |   |   |   |   |   |    |       |       |   |   |   |   |   |   |   |   |       |    |      |       |   |   |   |   |   |   |   |   |       |    |      |       |   |   |   |   |   |   |   |   |       |    |      |       |   |   |   |   |   |   |   |   |       |    |      |       |   |   |   |   |   |   |   |   |       |    |      |       |   |   |   |   |   |   |   |   |       |    |      |       |   |   |   |   |   |   |   |   |       |    |      |       |       |   |   |   |   |   |   |   |       |    |      |       |       |   |   |   |   |   |   |   |       |    |      |       |       |   |   |   |   |   |   |   |       |    |      |       |       |   |   |   |   |   |   |   |       |    |      |       |       |   |   |   |   |   |   |   |       |    |      |       |       |   |   |   |   |   |   |   |       |    |      |       |       |   |   |   |   |   |   |   |       |    |      |       |       |   |   |   |   |   |   |   |       |    |      |       |       |       |   |   |   |   |   |   |       |    |   |   |       |       |   |   |   |   |   |   |       |    |   |   |       |       |   |   |   |   |   |   |       |     |   |   |       |       |   |   |   |   |   |   |       |     |   |   |       |       |   |   |   |   |   |   |       |     |   |   |       |       |   |   |   |   |   |   |       |     |   |   |       |       |   |   |   |   |   |   |       |     |   |   |   |       |   |   |   |   |   |   |       |     |   |   |   |       |   |   |   |   |   |   |       |     |   |   |   |       |       |   |   |   |   |   |       |     |   |   |   |       |       |   |   |   |   |   |      |     |   |   |   |       |      |   |   |   |   |   |      |     |   |   |   |   |      |   |   |   |   |   |      |     |   |   |   |   |      |   |   |   |   |   |      |     |   |   |   |   |      |   |   |   |   |   |      |     |   |   |   |   |      |   |   |      |   |   |      |     |   |   |   |   |   |   |   |      |   |   |      |     |   |   |   |   |   |   |   |      |   |      |      |     |   |   |   |   |   |   |   |   |   |      |      |     |   |   |   |   |   |   |   |   |   |   |      |     |   |   |   |   |   |   |   |   |   |   |      |     |   |   |   |   |   |   |   |   |   |   |      |
| 114  | -     | -       | -     | -      | -     | -           | - | -    | - | -    | 104,0       |      |  |  |  |  |  |  |  |  |  |  |      |     |  |  |  |  |  |  |  |  |  |  |             |                         |  |  |  |  |  |  |  |  |  |  |  |   |   |   |   |   |   |   |   |   |   |   |   |    |   |        |   |   |   |   |   |   |   |   |   |    |   |        |   |   |   |   |   |   |   |   |   |    |   |        |   |   |   |   |   |   |   |   |   |    |       |       |   |   |   |   |   |   |   |   |       |    |      |       |   |   |   |   |   |   |   |   |       |    |      |       |   |   |   |   |   |   |   |   |       |    |      |       |   |   |   |   |   |   |   |   |       |    |      |       |   |   |   |   |   |   |   |   |       |    |      |       |   |   |   |   |   |   |   |   |       |    |      |       |   |   |   |   |   |   |   |   |       |    |      |       |       |   |   |   |   |   |   |   |       |    |      |       |       |   |   |   |   |   |   |   |       |    |      |       |       |   |   |   |   |   |   |   |       |    |      |       |       |   |   |   |   |   |   |   |       |    |      |       |       |   |   |   |   |   |   |   |       |    |      |       |       |   |   |   |   |   |   |   |       |    |      |       |       |   |   |   |   |   |   |   |       |    |      |       |       |   |   |   |   |   |   |   |       |    |      |       |       |       |   |   |   |   |   |   |       |    |   |   |       |       |   |   |   |   |   |   |       |    |   |   |       |       |   |   |   |   |   |   |       |     |   |   |       |       |   |   |   |   |   |   |       |     |   |   |       |       |   |   |   |   |   |   |       |     |   |   |       |       |   |   |   |   |   |   |       |     |   |   |       |       |   |   |   |   |   |   |       |     |   |   |   |       |   |   |   |   |   |   |       |     |   |   |   |       |   |   |   |   |   |   |       |     |   |   |   |       |       |   |   |   |   |   |       |     |   |   |   |       |       |   |   |   |   |   |      |     |   |   |   |       |      |   |   |   |   |   |      |     |   |   |   |   |      |   |   |   |   |   |      |     |   |   |   |   |      |   |   |   |   |   |      |     |   |   |   |   |      |   |   |   |   |   |      |     |   |   |   |   |      |   |   |      |   |   |      |     |   |   |   |   |   |   |   |      |   |   |      |     |   |   |   |   |   |   |   |      |   |      |      |     |   |   |   |   |   |   |   |   |   |      |      |     |   |   |   |   |   |   |   |   |   |   |      |     |   |   |   |   |   |   |   |   |   |   |      |     |   |   |   |   |   |   |   |   |   |   |      |
| 116  | -     | -       | -     | -      | 102,0 | -           | - | -    | - | -    | 100,2       |      |  |  |  |  |  |  |  |  |  |  |      |     |  |  |  |  |  |  |  |  |  |  |             |                         |  |  |  |  |  |  |  |  |  |  |  |   |   |   |   |   |   |   |   |   |   |   |   |    |   |        |   |   |   |   |   |   |   |   |   |    |   |        |   |   |   |   |   |   |   |   |   |    |   |        |   |   |   |   |   |   |   |   |   |    |       |       |   |   |   |   |   |   |   |   |       |    |      |       |   |   |   |   |   |   |   |   |       |    |      |       |   |   |   |   |   |   |   |   |       |    |      |       |   |   |   |   |   |   |   |   |       |    |      |       |   |   |   |   |   |   |   |   |       |    |      |       |   |   |   |   |   |   |   |   |       |    |      |       |   |   |   |   |   |   |   |   |       |    |      |       |       |   |   |   |   |   |   |   |       |    |      |       |       |   |   |   |   |   |   |   |       |    |      |       |       |   |   |   |   |   |   |   |       |    |      |       |       |   |   |   |   |   |   |   |       |    |      |       |       |   |   |   |   |   |   |   |       |    |      |       |       |   |   |   |   |   |   |   |       |    |      |       |       |   |   |   |   |   |   |   |       |    |      |       |       |   |   |   |   |   |   |   |       |    |      |       |       |       |   |   |   |   |   |   |       |    |   |   |       |       |   |   |   |   |   |   |       |    |   |   |       |       |   |   |   |   |   |   |       |     |   |   |       |       |   |   |   |   |   |   |       |     |   |   |       |       |   |   |   |   |   |   |       |     |   |   |       |       |   |   |   |   |   |   |       |     |   |   |       |       |   |   |   |   |   |   |       |     |   |   |   |       |   |   |   |   |   |   |       |     |   |   |   |       |   |   |   |   |   |   |       |     |   |   |   |       |       |   |   |   |   |   |       |     |   |   |   |       |       |   |   |   |   |   |      |     |   |   |   |       |      |   |   |   |   |   |      |     |   |   |   |   |      |   |   |   |   |   |      |     |   |   |   |   |      |   |   |   |   |   |      |     |   |   |   |   |      |   |   |   |   |   |      |     |   |   |   |   |      |   |   |      |   |   |      |     |   |   |   |   |   |   |   |      |   |   |      |     |   |   |   |   |   |   |   |      |   |      |      |     |   |   |   |   |   |   |   |   |   |      |      |     |   |   |   |   |   |   |   |   |   |   |      |     |   |   |   |   |   |   |   |   |   |   |      |     |   |   |   |   |   |   |   |   |   |   |      |
| 118  | -     | -       | -     | -      | 100,0 | -           | - | -    | - | -    | 96,5        |      |  |  |  |  |  |  |  |  |  |  |      |     |  |  |  |  |  |  |  |  |  |  |             |                         |  |  |  |  |  |  |  |  |  |  |  |   |   |   |   |   |   |   |   |   |   |   |   |    |   |        |   |   |   |   |   |   |   |   |   |    |   |        |   |   |   |   |   |   |   |   |   |    |   |        |   |   |   |   |   |   |   |   |   |    |       |       |   |   |   |   |   |   |   |   |       |    |      |       |   |   |   |   |   |   |   |   |       |    |      |       |   |   |   |   |   |   |   |   |       |    |      |       |   |   |   |   |   |   |   |   |       |    |      |       |   |   |   |   |   |   |   |   |       |    |      |       |   |   |   |   |   |   |   |   |       |    |      |       |   |   |   |   |   |   |   |   |       |    |      |       |       |   |   |   |   |   |   |   |       |    |      |       |       |   |   |   |   |   |   |   |       |    |      |       |       |   |   |   |   |   |   |   |       |    |      |       |       |   |   |   |   |   |   |   |       |    |      |       |       |   |   |   |   |   |   |   |       |    |      |       |       |   |   |   |   |   |   |   |       |    |      |       |       |   |   |   |   |   |   |   |       |    |      |       |       |   |   |   |   |   |   |   |       |    |      |       |       |       |   |   |   |   |   |   |       |    |   |   |       |       |   |   |   |   |   |   |       |    |   |   |       |       |   |   |   |   |   |   |       |     |   |   |       |       |   |   |   |   |   |   |       |     |   |   |       |       |   |   |   |   |   |   |       |     |   |   |       |       |   |   |   |   |   |   |       |     |   |   |       |       |   |   |   |   |   |   |       |     |   |   |   |       |   |   |   |   |   |   |       |     |   |   |   |       |   |   |   |   |   |   |       |     |   |   |   |       |       |   |   |   |   |   |       |     |   |   |   |       |       |   |   |   |   |   |      |     |   |   |   |       |      |   |   |   |   |   |      |     |   |   |   |   |      |   |   |   |   |   |      |     |   |   |   |   |      |   |   |   |   |   |      |     |   |   |   |   |      |   |   |   |   |   |      |     |   |   |   |   |      |   |   |      |   |   |      |     |   |   |   |   |   |   |   |      |   |   |      |     |   |   |   |   |   |   |   |      |   |      |      |     |   |   |   |   |   |   |   |   |   |      |      |     |   |   |   |   |   |   |   |   |   |   |      |     |   |   |   |   |   |   |   |   |   |   |      |     |   |   |   |   |   |   |   |   |   |   |      |
| 122  | -     | -       | -     | -      | 95,0  | -           | - | -    | - | -    | 88,5        |      |  |  |  |  |  |  |  |  |  |  |      |     |  |  |  |  |  |  |  |  |  |  |             |                         |  |  |  |  |  |  |  |  |  |  |  |   |   |   |   |   |   |   |   |   |   |   |   |    |   |        |   |   |   |   |   |   |   |   |   |    |   |        |   |   |   |   |   |   |   |   |   |    |   |        |   |   |   |   |   |   |   |   |   |    |       |       |   |   |   |   |   |   |   |   |       |    |      |       |   |   |   |   |   |   |   |   |       |    |      |       |   |   |   |   |   |   |   |   |       |    |      |       |   |   |   |   |   |   |   |   |       |    |      |       |   |   |   |   |   |   |   |   |       |    |      |       |   |   |   |   |   |   |   |   |       |    |      |       |   |   |   |   |   |   |   |   |       |    |      |       |       |   |   |   |   |   |   |   |       |    |      |       |       |   |   |   |   |   |   |   |       |    |      |       |       |   |   |   |   |   |   |   |       |    |      |       |       |   |   |   |   |   |   |   |       |    |      |       |       |   |   |   |   |   |   |   |       |    |      |       |       |   |   |   |   |   |   |   |       |    |      |       |       |   |   |   |   |   |   |   |       |    |      |       |       |   |   |   |   |   |   |   |       |    |      |       |       |       |   |   |   |   |   |   |       |    |   |   |       |       |   |   |   |   |   |   |       |    |   |   |       |       |   |   |   |   |   |   |       |     |   |   |       |       |   |   |   |   |   |   |       |     |   |   |       |       |   |   |   |   |   |   |       |     |   |   |       |       |   |   |   |   |   |   |       |     |   |   |       |       |   |   |   |   |   |   |       |     |   |   |   |       |   |   |   |   |   |   |       |     |   |   |   |       |   |   |   |   |   |   |       |     |   |   |   |       |       |   |   |   |   |   |       |     |   |   |   |       |       |   |   |   |   |   |      |     |   |   |   |       |      |   |   |   |   |   |      |     |   |   |   |   |      |   |   |   |   |   |      |     |   |   |   |   |      |   |   |   |   |   |      |     |   |   |   |   |      |   |   |   |   |   |      |     |   |   |   |   |      |   |   |      |   |   |      |     |   |   |   |   |   |   |   |      |   |   |      |     |   |   |   |   |   |   |   |      |   |      |      |     |   |   |   |   |   |   |   |   |   |      |      |     |   |   |   |   |   |   |   |   |   |   |      |     |   |   |   |   |   |   |   |   |   |   |      |     |   |   |   |   |   |   |   |   |   |   |      |
| 126  | -     | -       | -     | -      | 91,0  | -           | - | -    | - | -    | 81,5        |      |  |  |  |  |  |  |  |  |  |  |      |     |  |  |  |  |  |  |  |  |  |  |             |                         |  |  |  |  |  |  |  |  |  |  |  |   |   |   |   |   |   |   |   |   |   |   |   |    |   |        |   |   |   |   |   |   |   |   |   |    |   |        |   |   |   |   |   |   |   |   |   |    |   |        |   |   |   |   |   |   |   |   |   |    |       |       |   |   |   |   |   |   |   |   |       |    |      |       |   |   |   |   |   |   |   |   |       |    |      |       |   |   |   |   |   |   |   |   |       |    |      |       |   |   |   |   |   |   |   |   |       |    |      |       |   |   |   |   |   |   |   |   |       |    |      |       |   |   |   |   |   |   |   |   |       |    |      |       |   |   |   |   |   |   |   |   |       |    |      |       |       |   |   |   |   |   |   |   |       |    |      |       |       |   |   |   |   |   |   |   |       |    |      |       |       |   |   |   |   |   |   |   |       |    |      |       |       |   |   |   |   |   |   |   |       |    |      |       |       |   |   |   |   |   |   |   |       |    |      |       |       |   |   |   |   |   |   |   |       |    |      |       |       |   |   |   |   |   |   |   |       |    |      |       |       |   |   |   |   |   |   |   |       |    |      |       |       |       |   |   |   |   |   |   |       |    |   |   |       |       |   |   |   |   |   |   |       |    |   |   |       |       |   |   |   |   |   |   |       |     |   |   |       |       |   |   |   |   |   |   |       |     |   |   |       |       |   |   |   |   |   |   |       |     |   |   |       |       |   |   |   |   |   |   |       |     |   |   |       |       |   |   |   |   |   |   |       |     |   |   |   |       |   |   |   |   |   |   |       |     |   |   |   |       |   |   |   |   |   |   |       |     |   |   |   |       |       |   |   |   |   |   |       |     |   |   |   |       |       |   |   |   |   |   |      |     |   |   |   |       |      |   |   |   |   |   |      |     |   |   |   |   |      |   |   |   |   |   |      |     |   |   |   |   |      |   |   |   |   |   |      |     |   |   |   |   |      |   |   |   |   |   |      |     |   |   |   |   |      |   |   |      |   |   |      |     |   |   |   |   |   |   |   |      |   |   |      |     |   |   |   |   |   |   |   |      |   |      |      |     |   |   |   |   |   |   |   |   |   |      |      |     |   |   |   |   |   |   |   |   |   |   |      |     |   |   |   |   |   |   |   |   |   |   |      |     |   |   |   |   |   |   |   |   |   |   |      |
| 130  | -     | -       | -     | -      | -     | -           | - | -    | - | -    | 72,5        |      |  |  |  |  |  |  |  |  |  |  |      |     |  |  |  |  |  |  |  |  |  |  |             |                         |  |  |  |  |  |  |  |  |  |  |  |   |   |   |   |   |   |   |   |   |   |   |   |    |   |        |   |   |   |   |   |   |   |   |   |    |   |        |   |   |   |   |   |   |   |   |   |    |   |        |   |   |   |   |   |   |   |   |   |    |       |       |   |   |   |   |   |   |   |   |       |    |      |       |   |   |   |   |   |   |   |   |       |    |      |       |   |   |   |   |   |   |   |   |       |    |      |       |   |   |   |   |   |   |   |   |       |    |      |       |   |   |   |   |   |   |   |   |       |    |      |       |   |   |   |   |   |   |   |   |       |    |      |       |   |   |   |   |   |   |   |   |       |    |      |       |       |   |   |   |   |   |   |   |       |    |      |       |       |   |   |   |   |   |   |   |       |    |      |       |       |   |   |   |   |   |   |   |       |    |      |       |       |   |   |   |   |   |   |   |       |    |      |       |       |   |   |   |   |   |   |   |       |    |      |       |       |   |   |   |   |   |   |   |       |    |      |       |       |   |   |   |   |   |   |   |       |    |      |       |       |   |   |   |   |   |   |   |       |    |      |       |       |       |   |   |   |   |   |   |       |    |   |   |       |       |   |   |   |   |   |   |       |    |   |   |       |       |   |   |   |   |   |   |       |     |   |   |       |       |   |   |   |   |   |   |       |     |   |   |       |       |   |   |   |   |   |   |       |     |   |   |       |       |   |   |   |   |   |   |       |     |   |   |       |       |   |   |   |   |   |   |       |     |   |   |   |       |   |   |   |   |   |   |       |     |   |   |   |       |   |   |   |   |   |   |       |     |   |   |   |       |       |   |   |   |   |   |       |     |   |   |   |       |       |   |   |   |   |   |      |     |   |   |   |       |      |   |   |   |   |   |      |     |   |   |   |   |      |   |   |   |   |   |      |     |   |   |   |   |      |   |   |   |   |   |      |     |   |   |   |   |      |   |   |   |   |   |      |     |   |   |   |   |      |   |   |      |   |   |      |     |   |   |   |   |   |   |   |      |   |   |      |     |   |   |   |   |   |   |   |      |   |      |      |     |   |   |   |   |   |   |   |   |   |      |      |     |   |   |   |   |   |   |   |   |   |   |      |     |   |   |   |   |   |   |   |   |   |   |      |     |   |   |   |   |   |   |   |   |   |   |      |
| 134  | -     | -       | -     | -      | -     | -           | - | -    | - | -    | 63,5        |      |  |  |  |  |  |  |  |  |  |  |      |     |  |  |  |  |  |  |  |  |  |  |             |                         |  |  |  |  |  |  |  |  |  |  |  |   |   |   |   |   |   |   |   |   |   |   |   |    |   |        |   |   |   |   |   |   |   |   |   |    |   |        |   |   |   |   |   |   |   |   |   |    |   |        |   |   |   |   |   |   |   |   |   |    |       |       |   |   |   |   |   |   |   |   |       |    |      |       |   |   |   |   |   |   |   |   |       |    |      |       |   |   |   |   |   |   |   |   |       |    |      |       |   |   |   |   |   |   |   |   |       |    |      |       |   |   |   |   |   |   |   |   |       |    |      |       |   |   |   |   |   |   |   |   |       |    |      |       |   |   |   |   |   |   |   |   |       |    |      |       |       |   |   |   |   |   |   |   |       |    |      |       |       |   |   |   |   |   |   |   |       |    |      |       |       |   |   |   |   |   |   |   |       |    |      |       |       |   |   |   |   |   |   |   |       |    |      |       |       |   |   |   |   |   |   |   |       |    |      |       |       |   |   |   |   |   |   |   |       |    |      |       |       |   |   |   |   |   |   |   |       |    |      |       |       |   |   |   |   |   |   |   |       |    |      |       |       |       |   |   |   |   |   |   |       |    |   |   |       |       |   |   |   |   |   |   |       |    |   |   |       |       |   |   |   |   |   |   |       |     |   |   |       |       |   |   |   |   |   |   |       |     |   |   |       |       |   |   |   |   |   |   |       |     |   |   |       |       |   |   |   |   |   |   |       |     |   |   |       |       |   |   |   |   |   |   |       |     |   |   |   |       |   |   |   |   |   |   |       |     |   |   |   |       |   |   |   |   |   |   |       |     |   |   |   |       |       |   |   |   |   |   |       |     |   |   |   |       |       |   |   |   |   |   |      |     |   |   |   |       |      |   |   |   |   |   |      |     |   |   |   |   |      |   |   |   |   |   |      |     |   |   |   |   |      |   |   |   |   |   |      |     |   |   |   |   |      |   |   |   |   |   |      |     |   |   |   |   |      |   |   |      |   |   |      |     |   |   |   |   |   |   |   |      |   |   |      |     |   |   |   |   |   |   |   |      |   |      |      |     |   |   |   |   |   |   |   |   |   |      |      |     |   |   |   |   |   |   |   |   |   |   |      |     |   |   |   |   |   |   |   |   |   |   |      |     |   |   |   |   |   |   |   |   |   |   |      |
| 136  | -     | -       | -     | -      | -     | -           | - | 62,0 | - | -    | 59,0        |      |  |  |  |  |  |  |  |  |  |  |      |     |  |  |  |  |  |  |  |  |  |  |             |                         |  |  |  |  |  |  |  |  |  |  |  |   |   |   |   |   |   |   |   |   |   |   |   |    |   |        |   |   |   |   |   |   |   |   |   |    |   |        |   |   |   |   |   |   |   |   |   |    |   |        |   |   |   |   |   |   |   |   |   |    |       |       |   |   |   |   |   |   |   |   |       |    |      |       |   |   |   |   |   |   |   |   |       |    |      |       |   |   |   |   |   |   |   |   |       |    |      |       |   |   |   |   |   |   |   |   |       |    |      |       |   |   |   |   |   |   |   |   |       |    |      |       |   |   |   |   |   |   |   |   |       |    |      |       |   |   |   |   |   |   |   |   |       |    |      |       |       |   |   |   |   |   |   |   |       |    |      |       |       |   |   |   |   |   |   |   |       |    |      |       |       |   |   |   |   |   |   |   |       |    |      |       |       |   |   |   |   |   |   |   |       |    |      |       |       |   |   |   |   |   |   |   |       |    |      |       |       |   |   |   |   |   |   |   |       |    |      |       |       |   |   |   |   |   |   |   |       |    |      |       |       |   |   |   |   |   |   |   |       |    |      |       |       |       |   |   |   |   |   |   |       |    |   |   |       |       |   |   |   |   |   |   |       |    |   |   |       |       |   |   |   |   |   |   |       |     |   |   |       |       |   |   |   |   |   |   |       |     |   |   |       |       |   |   |   |   |   |   |       |     |   |   |       |       |   |   |   |   |   |   |       |     |   |   |       |       |   |   |   |   |   |   |       |     |   |   |   |       |   |   |   |   |   |   |       |     |   |   |   |       |   |   |   |   |   |   |       |     |   |   |   |       |       |   |   |   |   |   |       |     |   |   |   |       |       |   |   |   |   |   |      |     |   |   |   |       |      |   |   |   |   |   |      |     |   |   |   |   |      |   |   |   |   |   |      |     |   |   |   |   |      |   |   |   |   |   |      |     |   |   |   |   |      |   |   |   |   |   |      |     |   |   |   |   |      |   |   |      |   |   |      |     |   |   |   |   |   |   |   |      |   |   |      |     |   |   |   |   |   |   |   |      |   |      |      |     |   |   |   |   |   |   |   |   |   |      |      |     |   |   |   |   |   |   |   |   |   |   |      |     |   |   |   |   |   |   |   |   |   |   |      |     |   |   |   |   |   |   |   |   |   |   |      |
| 138  | -     | -       | -     | -      | -     | -           | - | 60,0 | - | -    | 54,5        |      |  |  |  |  |  |  |  |  |  |  |      |     |  |  |  |  |  |  |  |  |  |  |             |                         |  |  |  |  |  |  |  |  |  |  |  |   |   |   |   |   |   |   |   |   |   |   |   |    |   |        |   |   |   |   |   |   |   |   |   |    |   |        |   |   |   |   |   |   |   |   |   |    |   |        |   |   |   |   |   |   |   |   |   |    |       |       |   |   |   |   |   |   |   |   |       |    |      |       |   |   |   |   |   |   |   |   |       |    |      |       |   |   |   |   |   |   |   |   |       |    |      |       |   |   |   |   |   |   |   |   |       |    |      |       |   |   |   |   |   |   |   |   |       |    |      |       |   |   |   |   |   |   |   |   |       |    |      |       |   |   |   |   |   |   |   |   |       |    |      |       |       |   |   |   |   |   |   |   |       |    |      |       |       |   |   |   |   |   |   |   |       |    |      |       |       |   |   |   |   |   |   |   |       |    |      |       |       |   |   |   |   |   |   |   |       |    |      |       |       |   |   |   |   |   |   |   |       |    |      |       |       |   |   |   |   |   |   |   |       |    |      |       |       |   |   |   |   |   |   |   |       |    |      |       |       |   |   |   |   |   |   |   |       |    |      |       |       |       |   |   |   |   |   |   |       |    |   |   |       |       |   |   |   |   |   |   |       |    |   |   |       |       |   |   |   |   |   |   |       |     |   |   |       |       |   |   |   |   |   |   |       |     |   |   |       |       |   |   |   |   |   |   |       |     |   |   |       |       |   |   |   |   |   |   |       |     |   |   |       |       |   |   |   |   |   |   |       |     |   |   |   |       |   |   |   |   |   |   |       |     |   |   |   |       |   |   |   |   |   |   |       |     |   |   |   |       |       |   |   |   |   |   |       |     |   |   |   |       |       |   |   |   |   |   |      |     |   |   |   |       |      |   |   |   |   |   |      |     |   |   |   |   |      |   |   |   |   |   |      |     |   |   |   |   |      |   |   |   |   |   |      |     |   |   |   |   |      |   |   |   |   |   |      |     |   |   |   |   |      |   |   |      |   |   |      |     |   |   |   |   |   |   |   |      |   |   |      |     |   |   |   |   |   |   |   |      |   |      |      |     |   |   |   |   |   |   |   |   |   |      |      |     |   |   |   |   |   |   |   |   |   |   |      |     |   |   |   |   |   |   |   |   |   |   |      |     |   |   |   |   |   |   |   |   |   |   |      |
| 140  | -     | -       | -     | -      | -     | -           | - | 58,5 | - | -    | 50,1        |      |  |  |  |  |  |  |  |  |  |  |      |     |  |  |  |  |  |  |  |  |  |  |             |                         |  |  |  |  |  |  |  |  |  |  |  |   |   |   |   |   |   |   |   |   |   |   |   |    |   |        |   |   |   |   |   |   |   |   |   |    |   |        |   |   |   |   |   |   |   |   |   |    |   |        |   |   |   |   |   |   |   |   |   |    |       |       |   |   |   |   |   |   |   |   |       |    |      |       |   |   |   |   |   |   |   |   |       |    |      |       |   |   |   |   |   |   |   |   |       |    |      |       |   |   |   |   |   |   |   |   |       |    |      |       |   |   |   |   |   |   |   |   |       |    |      |       |   |   |   |   |   |   |   |   |       |    |      |       |   |   |   |   |   |   |   |   |       |    |      |       |       |   |   |   |   |   |   |   |       |    |      |       |       |   |   |   |   |   |   |   |       |    |      |       |       |   |   |   |   |   |   |   |       |    |      |       |       |   |   |   |   |   |   |   |       |    |      |       |       |   |   |   |   |   |   |   |       |    |      |       |       |   |   |   |   |   |   |   |       |    |      |       |       |   |   |   |   |   |   |   |       |    |      |       |       |   |   |   |   |   |   |   |       |    |      |       |       |       |   |   |   |   |   |   |       |    |   |   |       |       |   |   |   |   |   |   |       |    |   |   |       |       |   |   |   |   |   |   |       |     |   |   |       |       |   |   |   |   |   |   |       |     |   |   |       |       |   |   |   |   |   |   |       |     |   |   |       |       |   |   |   |   |   |   |       |     |   |   |       |       |   |   |   |   |   |   |       |     |   |   |   |       |   |   |   |   |   |   |       |     |   |   |   |       |   |   |   |   |   |   |       |     |   |   |   |       |       |   |   |   |   |   |       |     |   |   |   |       |       |   |   |   |   |   |      |     |   |   |   |       |      |   |   |   |   |   |      |     |   |   |   |   |      |   |   |   |   |   |      |     |   |   |   |   |      |   |   |   |   |   |      |     |   |   |   |   |      |   |   |   |   |   |      |     |   |   |   |   |      |   |   |      |   |   |      |     |   |   |   |   |   |   |   |      |   |   |      |     |   |   |   |   |   |   |   |      |   |      |      |     |   |   |   |   |   |   |   |   |   |      |      |     |   |   |   |   |   |   |   |   |   |   |      |     |   |   |   |   |   |   |   |   |   |   |      |     |   |   |   |   |   |   |   |   |   |   |      |
| 142  | -     | -       | -     | -      | -     | -           | - | -    | - | -    | 45,8        |      |  |  |  |  |  |  |  |  |  |  |      |     |  |  |  |  |  |  |  |  |  |  |             |                         |  |  |  |  |  |  |  |  |  |  |  |   |   |   |   |   |   |   |   |   |   |   |   |    |   |        |   |   |   |   |   |   |   |   |   |    |   |        |   |   |   |   |   |   |   |   |   |    |   |        |   |   |   |   |   |   |   |   |   |    |       |       |   |   |   |   |   |   |   |   |       |    |      |       |   |   |   |   |   |   |   |   |       |    |      |       |   |   |   |   |   |   |   |   |       |    |      |       |   |   |   |   |   |   |   |   |       |    |      |       |   |   |   |   |   |   |   |   |       |    |      |       |   |   |   |   |   |   |   |   |       |    |      |       |   |   |   |   |   |   |   |   |       |    |      |       |       |   |   |   |   |   |   |   |       |    |      |       |       |   |   |   |   |   |   |   |       |    |      |       |       |   |   |   |   |   |   |   |       |    |      |       |       |   |   |   |   |   |   |   |       |    |      |       |       |   |   |   |   |   |   |   |       |    |      |       |       |   |   |   |   |   |   |   |       |    |      |       |       |   |   |   |   |   |   |   |       |    |      |       |       |   |   |   |   |   |   |   |       |    |      |       |       |       |   |   |   |   |   |   |       |    |   |   |       |       |   |   |   |   |   |   |       |    |   |   |       |       |   |   |   |   |   |   |       |     |   |   |       |       |   |   |   |   |   |   |       |     |   |   |       |       |   |   |   |   |   |   |       |     |   |   |       |       |   |   |   |   |   |   |       |     |   |   |       |       |   |   |   |   |   |   |       |     |   |   |   |       |   |   |   |   |   |   |       |     |   |   |   |       |   |   |   |   |   |   |       |     |   |   |   |       |       |   |   |   |   |   |       |     |   |   |   |       |       |   |   |   |   |   |      |     |   |   |   |       |      |   |   |   |   |   |      |     |   |   |   |   |      |   |   |   |   |   |      |     |   |   |   |   |      |   |   |   |   |   |      |     |   |   |   |   |      |   |   |   |   |   |      |     |   |   |   |   |      |   |   |      |   |   |      |     |   |   |   |   |   |   |   |      |   |   |      |     |   |   |   |   |   |   |   |      |   |      |      |     |   |   |   |   |   |   |   |   |   |      |      |     |   |   |   |   |   |   |   |   |   |   |      |     |   |   |   |   |   |   |   |   |   |   |      |     |   |   |   |   |   |   |   |   |   |   |      |
| 146  | -     | -       | -     | -      | -     | -           | - | -    | - | -    | 37,2        |      |  |  |  |  |  |  |  |  |  |  |      |     |  |  |  |  |  |  |  |  |  |  |             |                         |  |  |  |  |  |  |  |  |  |  |  |   |   |   |   |   |   |   |   |   |   |   |   |    |   |        |   |   |   |   |   |   |   |   |   |    |   |        |   |   |   |   |   |   |   |   |   |    |   |        |   |   |   |   |   |   |   |   |   |    |       |       |   |   |   |   |   |   |   |   |       |    |      |       |   |   |   |   |   |   |   |   |       |    |      |       |   |   |   |   |   |   |   |   |       |    |      |       |   |   |   |   |   |   |   |   |       |    |      |       |   |   |   |   |   |   |   |   |       |    |      |       |   |   |   |   |   |   |   |   |       |    |      |       |   |   |   |   |   |   |   |   |       |    |      |       |       |   |   |   |   |   |   |   |       |    |      |       |       |   |   |   |   |   |   |   |       |    |      |       |       |   |   |   |   |   |   |   |       |    |      |       |       |   |   |   |   |   |   |   |       |    |      |       |       |   |   |   |   |   |   |   |       |    |      |       |       |   |   |   |   |   |   |   |       |    |      |       |       |   |   |   |   |   |   |   |       |    |      |       |       |   |   |   |   |   |   |   |       |    |      |       |       |       |   |   |   |   |   |   |       |    |   |   |       |       |   |   |   |   |   |   |       |    |   |   |       |       |   |   |   |   |   |   |       |     |   |   |       |       |   |   |   |   |   |   |       |     |   |   |       |       |   |   |   |   |   |   |       |     |   |   |       |       |   |   |   |   |   |   |       |     |   |   |       |       |   |   |   |   |   |   |       |     |   |   |   |       |   |   |   |   |   |   |       |     |   |   |   |       |   |   |   |   |   |   |       |     |   |   |   |       |       |   |   |   |   |   |       |     |   |   |   |       |       |   |   |   |   |   |      |     |   |   |   |       |      |   |   |   |   |   |      |     |   |   |   |   |      |   |   |   |   |   |      |     |   |   |   |   |      |   |   |   |   |   |      |     |   |   |   |   |      |   |   |   |   |   |      |     |   |   |   |   |      |   |   |      |   |   |      |     |   |   |   |   |   |   |   |      |   |   |      |     |   |   |   |   |   |   |   |      |   |      |      |     |   |   |   |   |   |   |   |   |   |      |      |     |   |   |   |   |   |   |   |   |   |   |      |     |   |   |   |   |   |   |   |   |   |   |      |     |   |   |   |   |   |   |   |   |   |   |      |
| 150  | -     | -       | -     | -      | -     | -           | - | -    | - | -    | 31,7        |      |  |  |  |  |  |  |  |  |  |  |      |     |  |  |  |  |  |  |  |  |  |  |             |                         |  |  |  |  |  |  |  |  |  |  |  |   |   |   |   |   |   |   |   |   |   |   |   |    |   |        |   |   |   |   |   |   |   |   |   |    |   |        |   |   |   |   |   |   |   |   |   |    |   |        |   |   |   |   |   |   |   |   |   |    |       |       |   |   |   |   |   |   |   |   |       |    |      |       |   |   |   |   |   |   |   |   |       |    |      |       |   |   |   |   |   |   |   |   |       |    |      |       |   |   |   |   |   |   |   |   |       |    |      |       |   |   |   |   |   |   |   |   |       |    |      |       |   |   |   |   |   |   |   |   |       |    |      |       |   |   |   |   |   |   |   |   |       |    |      |       |       |   |   |   |   |   |   |   |       |    |      |       |       |   |   |   |   |   |   |   |       |    |      |       |       |   |   |   |   |   |   |   |       |    |      |       |       |   |   |   |   |   |   |   |       |    |      |       |       |   |   |   |   |   |   |   |       |    |      |       |       |   |   |   |   |   |   |   |       |    |      |       |       |   |   |   |   |   |   |   |       |    |      |       |       |   |   |   |   |   |   |   |       |    |      |       |       |       |   |   |   |   |   |   |       |    |   |   |       |       |   |   |   |   |   |   |       |    |   |   |       |       |   |   |   |   |   |   |       |     |   |   |       |       |   |   |   |   |   |   |       |     |   |   |       |       |   |   |   |   |   |   |       |     |   |   |       |       |   |   |   |   |   |   |       |     |   |   |       |       |   |   |   |   |   |   |       |     |   |   |   |       |   |   |   |   |   |   |       |     |   |   |   |       |   |   |   |   |   |   |       |     |   |   |   |       |       |   |   |   |   |   |       |     |   |   |   |       |       |   |   |   |   |   |      |     |   |   |   |       |      |   |   |   |   |   |      |     |   |   |   |   |      |   |   |   |   |   |      |     |   |   |   |   |      |   |   |   |   |   |      |     |   |   |   |   |      |   |   |   |   |   |      |     |   |   |   |   |      |   |   |      |   |   |      |     |   |   |   |   |   |   |   |      |   |   |      |     |   |   |   |   |   |   |   |      |   |      |      |     |   |   |   |   |   |   |   |   |   |      |      |     |   |   |   |   |   |   |   |   |   |   |      |     |   |   |   |   |   |   |   |   |   |   |      |     |   |   |   |   |   |   |   |   |   |   |      |
| <table border="1"> <thead> <tr> <th colspan="11">SWSL</th> <th>SFSL</th> </tr> <tr> <th colspan="11">0 t</th> <th>0 t - 640 t</th> </tr> <tr> <th colspan="11">85° 85° 75° 65° 55° 45°</th> <th></th> </tr> <tr> <th>m</th> <th>t</th> <th>t</th> <th>t</th> <th>t</th> <th>t</th> <th>t</th> <th>t</th> <th>t</th> <th>t</th> <th>t</th> <th>t</th> </tr> </thead> <tbody> <tr><td>34</td><td>-</td><td>151,0*</td><td>-</td><td>-</td><td>-</td><td>-</td><td>-</td><td>-</td><td>-</td><td>-</td><td>-</td></tr> <tr><td>38</td><td>-</td><td>148,0*</td><td>-</td><td>-</td><td>-</td><td>-</td><td>-</td><td>-</td><td>-</td><td>-</td><td>-</td></tr> <tr><td>42</td><td>-</td><td>144,0*</td><td>-</td><td>-</td><td>-</td><td>-</td><td>-</td><td>-</td><td>-</td><td>-</td><td>-</td></tr> <tr><td>44</td><td>80,0</td><td>156,0</td><td>-</td><td>-</td><td>-</td><td>-</td><td>-</td><td>-</td><td>-</td><td>-</td><td>154,0</td></tr> <tr><td>46</td><td>75,0</td><td>155,0</td><td>-</td><td>-</td><td>-</td><td>-</td><td>-</td><td>-</td><td>-</td><td>-</td><td>154,0</td></tr> <tr><td>50</td><td>66,5</td><td>151,0</td><td>-</td><td>-</td><td>-</td><td>-</td><td>-</td><td>-</td><td>-</td><td>-</td><td>154,0</td></tr> <tr><td>54</td><td>59,0</td><td>148,0</td><td>-</td><td>-</td><td>-</td><td>-</td><td>-</td><td>-</td><td>-</td><td>-</td><td>154,0</td></tr> <tr><td>58</td><td>52,5</td><td>144,0</td><td>-</td><td>-</td><td>-</td><td>-</td><td>-</td><td>-</td><td>-</td><td>-</td><td>154,0</td></tr> <tr><td>62</td><td>46,5</td><td>141,0</td><td>-</td><td>-</td><td>-</td><td>-</td><td>-</td><td>-</td><td>-</td><td>-</td><td>154,0</td></tr> <tr><td>66</td><td>41,3</td><td>137,0</td><td>-</td><td>-</td><td>-</td><td>-</td><td>-</td><td>-</td><td>-</td><td>-</td><td>153,0</td></tr> <tr><td>70</td><td>36,5</td><td>134,0</td><td>-</td><td>-</td><td>-</td><td>-</td><td>-</td><td>-</td><td>-</td><td>-</td><td>151,0</td></tr> <tr><td>72</td><td>34,3</td><td>132,0</td><td>154,0</td><td>-</td><td>-</td><td>-</td><td>-</td><td>-</td><td>-</td><td>-</td><td>150,0</td></tr> <tr><td>74</td><td>32,2</td><td>130,0</td><td>154,0</td><td>-</td><td>-</td><td>-</td><td>-</td><td>-</td><td>-</td><td>-</td><td>149,0</td></tr> <tr><td>78</td><td>28,3</td><td>127,0</td><td>154,0</td><td>-</td><td>-</td><td>-</td><td>-</td><td>-</td><td>-</td><td>-</td><td>147,0</td></tr> <tr><td>80</td><td>26,4</td><td>125,0</td><td>154,0</td><td>-</td><td>-</td><td>-</td><td>-</td><td>-</td><td>-</td><td>-</td><td>145,5</td></tr> <tr><td>82</td><td>24,7</td><td>123,0</td><td>154,0</td><td>-</td><td>-</td><td>-</td><td>-</td><td>-</td><td>-</td><td>-</td><td>144,0</td></tr> <tr><td>86</td><td>21,4</td><td>119,0</td><td>152,0</td><td>-</td><td>-</td><td>-</td><td>-</td><td>-</td><td>-</td><td>-</td><td>142,0</td></tr> <tr><td>90</td><td>18,4</td><td>110,5</td><td>151,0</td><td>-</td><td>-</td><td>-</td><td>-</td><td>-</td><td>-</td><td>-</td><td>137,0</td></tr> <tr><td>92</td><td>17,0</td><td>104,0</td><td>150,0</td><td>-</td><td>-</td><td>-</td><td>-</td><td>-</td><td>-</td><td>-</td><td>136,0</td></tr> <tr><td>94</td><td>-</td><td>-</td><td>147,0</td><td>-</td><td>-</td><td>-</td><td>-</td><td>-</td><td>-</td><td>-</td><td>135,0</td></tr> <tr><td>98</td><td>-</td><td>-</td><td>145,0</td><td>-</td><td>-</td><td>-</td><td>-</td><td>-</td><td>-</td><td>-</td><td>132,0</td></tr> <tr><td>100</td><td>-</td><td>-</td><td>141,0</td><td>127,0</td><td>-</td><td>-</td><td>-</td><td>-</td><td>-</td><td>-</td><td>131,0</td></tr> <tr><td>102</td><td>-</td><td>-</td><td>136,0</td><td>127,0</td><td>-</td><td>-</td><td>-</td><td>-</td><td>-</td><td>-</td><td>130,0</td></tr> <tr><td>106</td><td>-</td><td>-</td><td>125,0</td><td>126,0</td><td>-</td><td>-</td><td>-</td><td>-</td><td>-</td><td>-</td><td>120,0</td></tr> <tr><td>108</td><td>-</td><td>-</td><td>117,0</td><td>123,0</td><td>-</td><td>-</td><td>-</td><td>-</td><td>-</td><td>-</td><td>115,0</td></tr> <tr><td>110</td><td>-</td><td>-</td><td>-</td><td>120,0</td><td>-</td><td>-</td><td>-</td><td>-</td><td>-</td><td>-</td><td>110,0</td></tr> <tr><td>114</td><td>-</td><td>-</td><td>-</td><td>114,0</td><td>-</td><td>-</td><td>-</td><td>-</td><td>-</td><td>-</td><td>102,0</td></tr> <tr><td>118</td><td>-</td><td>-</td><td>-</td><td>109,0</td><td>-</td><td>-</td><td>-</td><td>-</td><td>-</td><td>-</td><td>93,5</td></tr> <tr><td>122</td><td>-</td><td>-</td><td>-</td><td>104,0</td><td>-</td><td>-</td><td>-</td><td>-</td><td>-</td><td>-</td><td>86,0</td></tr> <tr><td>124</td><td>-</td><td>-</td><td>-</td><td>101,0</td><td>-</td><td>-</td><td>-</td><td>-</td><td>-</td><td>-</td><td>82,5</td></tr> <tr><td>126</td><td>-</td><td>-</td><td>-</td><td>-</td><td>81,0</td><td>-</td><td>-</td><td>-</td><td>-</td><td>-</td><td>79,0</td></tr> <tr><td>130</td><td>-</td><td>-</td><td>-</td><td>-</td><td>77,0</td><td>-</td><td>-</td><td>-</td><td>-</td><td>-</td><td>72,0</td></tr> <tr><td>134</td><td>-</td><td>-</td><td>-</td><td>-</td><td>73,5</td><td>-</td><td>-</td><td>-</td><td>-</td><td>-</td><td>65,5</td></tr> <tr><td>138</td><td>-</td><td>-</td><td>-</td><td>-</td><td>70,5</td><td>-</td><td>-</td><td>-</td><td>-</td><td>-</td><td>57,0</td></tr> <tr><td>142</td><td>-</td><td>-</td><td>-</td><td>-</td><td>-</td><td>-</td><td>-</td><td>-</td><td>-</td><td>-</td><td>49,2</td></tr> <tr><td>146</td><td>-</td><td>-</td><td>-</td><td>-</td><td>-</td><td>-</td><td>-</td><td>-</td><td>-</td><td>43,7</td><td>41,3</td></tr> <tr><td>150</td><td>-</td><td>-</td><td>-</td><td>-</td><td>-</td><td>-</td><td>-</td><td>-</td><td>-</td><td>41,0</td><td>33,6</td></tr> <tr><td>154</td><td>-</td><td>-</td><td>-</td><td>-</td><td>-</td><td>-</td><td>-</td><td>-</td><td>-</td><td>-</td><td>26,0</td></tr> <tr><td>158</td><td>-</td><td>-</td><td>-</td><td>-</td><td>-</td><td>-</td><td>-</td><td>-</td><td>-</td><td>-</td><td>19,1</td></tr> <tr><td>162</td><td>-</td><td>-</td><td>-</td><td>-</td><td>-</td><td>-</td><td>-</td><td>-</td><td>-</td><td>-</td><td>14,9</td></tr> </tbody> </table> |       |         |       |        |       |             |   |      |   |      |             | SWSL |  |  |  |  |  |  |  |  |  |  | SFSL | 0 t |  |  |  |  |  |  |  |  |  |  | 0 t - 640 t | 85° 85° 75° 65° 55° 45° |  |  |  |  |  |  |  |  |  |  |  | m | t | t | t | t | t | t | t | t | t | t | t | 34 | - | 151,0* | - | - | - | - | - | - | - | - | - | 38 | - | 148,0* | - | - | - | - | - | - | - | - | - | 42 | - | 144,0* | - | - | - | - | - | - | - | - | - | 44 | 80,0  | 156,0 | - | - | - | - | - | - | - | - | 154,0 | 46 | 75,0 | 155,0 | - | - | - | - | - | - | - | - | 154,0 | 50 | 66,5 | 151,0 | - | - | - | - | - | - | - | - | 154,0 | 54 | 59,0 | 148,0 | - | - | - | - | - | - | - | - | 154,0 | 58 | 52,5 | 144,0 | - | - | - | - | - | - | - | - | 154,0 | 62 | 46,5 | 141,0 | - | - | - | - | - | - | - | - | 154,0 | 66 | 41,3 | 137,0 | - | - | - | - | - | - | - | - | 153,0 | 70 | 36,5 | 134,0 | -     | - | - | - | - | - | - | - | 151,0 | 72 | 34,3 | 132,0 | 154,0 | - | - | - | - | - | - | - | 150,0 | 74 | 32,2 | 130,0 | 154,0 | - | - | - | - | - | - | - | 149,0 | 78 | 28,3 | 127,0 | 154,0 | - | - | - | - | - | - | - | 147,0 | 80 | 26,4 | 125,0 | 154,0 | - | - | - | - | - | - | - | 145,5 | 82 | 24,7 | 123,0 | 154,0 | - | - | - | - | - | - | - | 144,0 | 86 | 21,4 | 119,0 | 152,0 | - | - | - | - | - | - | - | 142,0 | 90 | 18,4 | 110,5 | 151,0 | - | - | - | - | - | - | - | 137,0 | 92 | 17,0 | 104,0 | 150,0 | -     | - | - | - | - | - | - | 136,0 | 94 | - | - | 147,0 | -     | - | - | - | - | - | - | 135,0 | 98 | - | - | 145,0 | -     | - | - | - | - | - | - | 132,0 | 100 | - | - | 141,0 | 127,0 | - | - | - | - | - | - | 131,0 | 102 | - | - | 136,0 | 127,0 | - | - | - | - | - | - | 130,0 | 106 | - | - | 125,0 | 126,0 | - | - | - | - | - | - | 120,0 | 108 | - | - | 117,0 | 123,0 | - | - | - | - | - | - | 115,0 | 110 | - | - | - | 120,0 | - | - | - | - | - | - | 110,0 | 114 | - | - | - | 114,0 | - | - | - | - | - | - | 102,0 | 118 | - | - | - | 109,0 | -     | - | - | - | - | - | 93,5  | 122 | - | - | - | 104,0 | -     | - | - | - | - | - | 86,0 | 124 | - | - | - | 101,0 | -    | - | - | - | - | - | 82,5 | 126 | - | - | - | - | 81,0 | - | - | - | - | - | 79,0 | 130 | - | - | - | - | 77,0 | - | - | - | - | - | 72,0 | 134 | - | - | - | - | 73,5 | - | - | - | - | - | 65,5 | 138 | - | - | - | - | 70,5 | - | - | -    | - | - | 57,0 | 142 | - | - | - | - | - | - | - | -    | - | - | 49,2 | 146 | - | - | - | - | - | - | - | -    | - | 43,7 | 41,3 | 150 | - | - | - | - | - | - | - | - | - | 41,0 | 33,6 | 154 | - | - | - | - | - | - | - | - | - | - | 26,0 | 158 | - | - | - | - | - | - | - | - | - | - | 19,1 | 162 | - | - | - | - | - | - | - | - | - | - | 14,9 |
| SWSL   |       |         |       |        |       |             |   |      |   |      | SFSL        |      |  |  |  |  |  |  |  |  |  |  |      |     |  |  |  |  |  |  |  |  |  |  |             |                         |  |  |  |  |  |  |  |  |  |  |  |   |   |   |   |   |   |   |   |   |   |   |   |    |   |        |   |   |   |   |   |   |   |   |   |    |   |        |   |   |   |   |   |   |   |   |   |    |   |        |   |   |   |   |   |   |   |   |   |    |       |       |   |   |   |   |   |   |   |   |       |    |      |       |   |   |   |   |   |   |   |   |       |    |      |       |   |   |   |   |   |   |   |   |       |    |      |       |   |   |   |   |   |   |   |   |       |    |      |       |   |   |   |   |   |   |   |   |       |    |      |       |   |   |   |   |   |   |   |   |       |    |      |       |   |   |   |   |   |   |   |   |       |    |      |       |       |   |   |   |   |   |   |   |       |    |      |       |       |   |   |   |   |   |   |   |       |    |      |       |       |   |   |   |   |   |   |   |       |    |      |       |       |   |   |   |   |   |   |   |       |    |      |       |       |   |   |   |   |   |   |   |       |    |      |       |       |   |   |   |   |   |   |   |       |    |      |       |       |   |   |   |   |   |   |   |       |    |      |       |       |   |   |   |   |   |   |   |       |    |      |       |       |       |   |   |   |   |   |   |       |    |   |   |       |       |   |   |   |   |   |   |       |    |   |   |       |       |   |   |   |   |   |   |       |     |   |   |       |       |   |   |   |   |   |   |       |     |   |   |       |       |   |   |   |   |   |   |       |     |   |   |       |       |   |   |   |   |   |   |       |     |   |   |       |       |   |   |   |   |   |   |       |     |   |   |   |       |   |   |   |   |   |   |       |     |   |   |   |       |   |   |   |   |   |   |       |     |   |   |   |       |       |   |   |   |   |   |       |     |   |   |   |       |       |   |   |   |   |   |      |     |   |   |   |       |      |   |   |   |   |   |      |     |   |   |   |   |      |   |   |   |   |   |      |     |   |   |   |   |      |   |   |   |   |   |      |     |   |   |   |   |      |   |   |   |   |   |      |     |   |   |   |   |      |   |   |      |   |   |      |     |   |   |   |   |   |   |   |      |   |   |      |     |   |   |   |   |   |   |   |      |   |      |      |     |   |   |   |   |   |   |   |   |   |      |      |     |   |   |   |   |   |   |   |   |   |   |      |     |   |   |   |   |   |   |   |   |   |   |      |     |   |   |   |   |   |   |   |   |   |   |      |
| 0 t  |       |         |       |        |       |             |   |      |   |      | 0 t - 640 t |      |  |  |  |  |  |  |  |  |  |  |      |     |  |  |  |  |  |  |  |  |  |  |             |                         |  |  |  |  |  |  |  |  |  |  |  |   |   |   |   |   |   |   |   |   |   |   |   |    |   |        |   |   |   |   |   |   |   |   |   |    |   |        |   |   |   |   |   |   |   |   |   |    |   |        |   |   |   |   |   |   |   |   |   |    |       |       |   |   |   |   |   |   |   |   |       |    |      |       |   |   |   |   |   |   |   |   |       |    |      |       |   |   |   |   |   |   |   |   |       |    |      |       |   |   |   |   |   |   |   |   |       |    |      |       |   |   |   |   |   |   |   |   |       |    |      |       |   |   |   |   |   |   |   |   |       |    |      |       |   |   |   |   |   |   |   |   |       |    |      |       |       |   |   |   |   |   |   |   |       |    |      |       |       |   |   |   |   |   |   |   |       |    |      |       |       |   |   |   |   |   |   |   |       |    |      |       |       |   |   |   |   |   |   |   |       |    |      |       |       |   |   |   |   |   |   |   |       |    |      |       |       |   |   |   |   |   |   |   |       |    |      |       |       |   |   |   |   |   |   |   |       |    |      |       |       |   |   |   |   |   |   |   |       |    |      |       |       |       |   |   |   |   |   |   |       |    |   |   |       |       |   |   |   |   |   |   |       |    |   |   |       |       |   |   |   |   |   |   |       |     |   |   |       |       |   |   |   |   |   |   |       |     |   |   |       |       |   |   |   |   |   |   |       |     |   |   |       |       |   |   |   |   |   |   |       |     |   |   |       |       |   |   |   |   |   |   |       |     |   |   |   |       |   |   |   |   |   |   |       |     |   |   |   |       |   |   |   |   |   |   |       |     |   |   |   |       |       |   |   |   |   |   |       |     |   |   |   |       |       |   |   |   |   |   |      |     |   |   |   |       |      |   |   |   |   |   |      |     |   |   |   |   |      |   |   |   |   |   |      |     |   |   |   |   |      |   |   |   |   |   |      |     |   |   |   |   |      |   |   |   |   |   |      |     |   |   |   |   |      |   |   |      |   |   |      |     |   |   |   |   |   |   |   |      |   |   |      |     |   |   |   |   |   |   |   |      |   |      |      |     |   |   |   |   |   |   |   |   |   |      |      |     |   |   |   |   |   |   |   |   |   |   |      |     |   |   |   |   |   |   |   |   |   |   |      |     |   |   |   |   |   |   |   |   |   |   |      |
| 85° 85° 75° 65° 55° 45°  |       |         |       |        |       |             |   |      |   |      |             |      |  |  |  |  |  |  |  |  |  |  |      |     |  |  |  |  |  |  |  |  |  |  |             |                         |  |  |  |  |  |  |  |  |  |  |  |   |   |   |   |   |   |   |   |   |   |   |   |    |   |        |   |   |   |   |   |   |   |   |   |    |   |        |   |   |   |   |   |   |   |   |   |    |   |        |   |   |   |   |   |   |   |   |   |    |       |       |   |   |   |   |   |   |   |   |       |    |      |       |   |   |   |   |   |   |   |   |       |    |      |       |   |   |   |   |   |   |   |   |       |    |      |       |   |   |   |   |   |   |   |   |       |    |      |       |   |   |   |   |   |   |   |   |       |    |      |       |   |   |   |   |   |   |   |   |       |    |      |       |   |   |   |   |   |   |   |   |       |    |      |       |       |   |   |   |   |   |   |   |       |    |      |       |       |   |   |   |   |   |   |   |       |    |      |       |       |   |   |   |   |   |   |   |       |    |      |       |       |   |   |   |   |   |   |   |       |    |      |       |       |   |   |   |   |   |   |   |       |    |      |       |       |   |   |   |   |   |   |   |       |    |      |       |       |   |   |   |   |   |   |   |       |    |      |       |       |   |   |   |   |   |   |   |       |    |      |       |       |       |   |   |   |   |   |   |       |    |   |   |       |       |   |   |   |   |   |   |       |    |   |   |       |       |   |   |   |   |   |   |       |     |   |   |       |       |   |   |   |   |   |   |       |     |   |   |       |       |   |   |   |   |   |   |       |     |   |   |       |       |   |   |   |   |   |   |       |     |   |   |       |       |   |   |   |   |   |   |       |     |   |   |   |       |   |   |   |   |   |   |       |     |   |   |   |       |   |   |   |   |   |   |       |     |   |   |   |       |       |   |   |   |   |   |       |     |   |   |   |       |       |   |   |   |   |   |      |     |   |   |   |       |      |   |   |   |   |   |      |     |   |   |   |   |      |   |   |   |   |   |      |     |   |   |   |   |      |   |   |   |   |   |      |     |   |   |   |   |      |   |   |   |   |   |      |     |   |   |   |   |      |   |   |      |   |   |      |     |   |   |   |   |   |   |   |      |   |   |      |     |   |   |   |   |   |   |   |      |   |      |      |     |   |   |   |   |   |   |   |   |   |      |      |     |   |   |   |   |   |   |   |   |   |   |      |     |   |   |   |   |   |   |   |   |   |   |      |     |   |   |   |   |   |   |   |   |   |   |      |
| m  | t     | t       | t     | t      | t     | t           | t | t    | t | t    | t           |      |  |  |  |  |  |  |  |  |  |  |      |     |  |  |  |  |  |  |  |  |  |  |             |                         |  |  |  |  |  |  |  |  |  |  |  |   |   |   |   |   |   |   |   |   |   |   |   |    |   |        |   |   |   |   |   |   |   |   |   |    |   |        |   |   |   |   |   |   |   |   |   |    |   |        |   |   |   |   |   |   |   |   |   |    |       |       |   |   |   |   |   |   |   |   |       |    |      |       |   |   |   |   |   |   |   |   |       |    |      |       |   |   |   |   |   |   |   |   |       |    |      |       |   |   |   |   |   |   |   |   |       |    |      |       |   |   |   |   |   |   |   |   |       |    |      |       |   |   |   |   |   |   |   |   |       |    |      |       |   |   |   |   |   |   |   |   |       |    |      |       |       |   |   |   |   |   |   |   |       |    |      |       |       |   |   |   |   |   |   |   |       |    |      |       |       |   |   |   |   |   |   |   |       |    |      |       |       |   |   |   |   |   |   |   |       |    |      |       |       |   |   |   |   |   |   |   |       |    |      |       |       |   |   |   |   |   |   |   |       |    |      |       |       |   |   |   |   |   |   |   |       |    |      |       |       |   |   |   |   |   |   |   |       |    |      |       |       |       |   |   |   |   |   |   |       |    |   |   |       |       |   |   |   |   |   |   |       |    |   |   |       |       |   |   |   |   |   |   |       |     |   |   |       |       |   |   |   |   |   |   |       |     |   |   |       |       |   |   |   |   |   |   |       |     |   |   |       |       |   |   |   |   |   |   |       |     |   |   |       |       |   |   |   |   |   |   |       |     |   |   |   |       |   |   |   |   |   |   |       |     |   |   |   |       |   |   |   |   |   |   |       |     |   |   |   |       |       |   |   |   |   |   |       |     |   |   |   |       |       |   |   |   |   |   |      |     |   |   |   |       |      |   |   |   |   |   |      |     |   |   |   |   |      |   |   |   |   |   |      |     |   |   |   |   |      |   |   |   |   |   |      |     |   |   |   |   |      |   |   |   |   |   |      |     |   |   |   |   |      |   |   |      |   |   |      |     |   |   |   |   |   |   |   |      |   |   |      |     |   |   |   |   |   |   |   |      |   |      |      |     |   |   |   |   |   |   |   |   |   |      |      |     |   |   |   |   |   |   |   |   |   |   |      |     |   |   |   |   |   |   |   |   |   |   |      |     |   |   |   |   |   |   |   |   |   |   |      |
| 34   | -     | 151,0*  | -     | -      | -     | -           | - | -    | - | -    | -           |      |  |  |  |  |  |  |  |  |  |  |      |     |  |  |  |  |  |  |  |  |  |  |             |                         |  |  |  |  |  |  |  |  |  |  |  |   |   |   |   |   |   |   |   |   |   |   |   |    |   |        |   |   |   |   |   |   |   |   |   |    |   |        |   |   |   |   |   |   |   |   |   |    |   |        |   |   |   |   |   |   |   |   |   |    |       |       |   |   |   |   |   |   |   |   |       |    |      |       |   |   |   |   |   |   |   |   |       |    |      |       |   |   |   |   |   |   |   |   |       |    |      |       |   |   |   |   |   |   |   |   |       |    |      |       |   |   |   |   |   |   |   |   |       |    |      |       |   |   |   |   |   |   |   |   |       |    |      |       |   |   |   |   |   |   |   |   |       |    |      |       |       |   |   |   |   |   |   |   |       |    |      |       |       |   |   |   |   |   |   |   |       |    |      |       |       |   |   |   |   |   |   |   |       |    |      |       |       |   |   |   |   |   |   |   |       |    |      |       |       |   |   |   |   |   |   |   |       |    |      |       |       |   |   |   |   |   |   |   |       |    |      |       |       |   |   |   |   |   |   |   |       |    |      |       |       |   |   |   |   |   |   |   |       |    |      |       |       |       |   |   |   |   |   |   |       |    |   |   |       |       |   |   |   |   |   |   |       |    |   |   |       |       |   |   |   |   |   |   |       |     |   |   |       |       |   |   |   |   |   |   |       |     |   |   |       |       |   |   |   |   |   |   |       |     |   |   |       |       |   |   |   |   |   |   |       |     |   |   |       |       |   |   |   |   |   |   |       |     |   |   |   |       |   |   |   |   |   |   |       |     |   |   |   |       |   |   |   |   |   |   |       |     |   |   |   |       |       |   |   |   |   |   |       |     |   |   |   |       |       |   |   |   |   |   |      |     |   |   |   |       |      |   |   |   |   |   |      |     |   |   |   |   |      |   |   |   |   |   |      |     |   |   |   |   |      |   |   |   |   |   |      |     |   |   |   |   |      |   |   |   |   |   |      |     |   |   |   |   |      |   |   |      |   |   |      |     |   |   |   |   |   |   |   |      |   |   |      |     |   |   |   |   |   |   |   |      |   |      |      |     |   |   |   |   |   |   |   |   |   |      |      |     |   |   |   |   |   |   |   |   |   |   |      |     |   |   |   |   |   |   |   |   |   |   |      |     |   |   |   |   |   |   |   |   |   |   |      |
| 38   | -     | 148,0*  | -     | -      | -     | -           | - | -    | - | -    | -           |      |  |  |  |  |  |  |  |  |  |  |      |     |  |  |  |  |  |  |  |  |  |  |             |                         |  |  |  |  |  |  |  |  |  |  |  |   |   |   |   |   |   |   |   |   |   |   |   |    |   |        |   |   |   |   |   |   |   |   |   |    |   |        |   |   |   |   |   |   |   |   |   |    |   |        |   |   |   |   |   |   |   |   |   |    |       |       |   |   |   |   |   |   |   |   |       |    |      |       |   |   |   |   |   |   |   |   |       |    |      |       |   |   |   |   |   |   |   |   |       |    |      |       |   |   |   |   |   |   |   |   |       |    |      |       |   |   |   |   |   |   |   |   |       |    |      |       |   |   |   |   |   |   |   |   |       |    |      |       |   |   |   |   |   |   |   |   |       |    |      |       |       |   |   |   |   |   |   |   |       |    |      |       |       |   |   |   |   |   |   |   |       |    |      |       |       |   |   |   |   |   |   |   |       |    |      |       |       |   |   |   |   |   |   |   |       |    |      |       |       |   |   |   |   |   |   |   |       |    |      |       |       |   |   |   |   |   |   |   |       |    |      |       |       |   |   |   |   |   |   |   |       |    |      |       |       |   |   |   |   |   |   |   |       |    |      |       |       |       |   |   |   |   |   |   |       |    |   |   |       |       |   |   |   |   |   |   |       |    |   |   |       |       |   |   |   |   |   |   |       |     |   |   |       |       |   |   |   |   |   |   |       |     |   |   |       |       |   |   |   |   |   |   |       |     |   |   |       |       |   |   |   |   |   |   |       |     |   |   |       |       |   |   |   |   |   |   |       |     |   |   |   |       |   |   |   |   |   |   |       |     |   |   |   |       |   |   |   |   |   |   |       |     |   |   |   |       |       |   |   |   |   |   |       |     |   |   |   |       |       |   |   |   |   |   |      |     |   |   |   |       |      |   |   |   |   |   |      |     |   |   |   |   |      |   |   |   |   |   |      |     |   |   |   |   |      |   |   |   |   |   |      |     |   |   |   |   |      |   |   |   |   |   |      |     |   |   |   |   |      |   |   |      |   |   |      |     |   |   |   |   |   |   |   |      |   |   |      |     |   |   |   |   |   |   |   |      |   |      |      |     |   |   |   |   |   |   |   |   |   |      |      |     |   |   |   |   |   |   |   |   |   |   |      |     |   |   |   |   |   |   |   |   |   |   |      |     |   |   |   |   |   |   |   |   |   |   |      |
| 42   | -     | 144,0*  | -     | -      | -     | -           | - | -    | - | -    | -           |      |  |  |  |  |  |  |  |  |  |  |      |     |  |  |  |  |  |  |  |  |  |  |             |                         |  |  |  |  |  |  |  |  |  |  |  |   |   |   |   |   |   |   |   |   |   |   |   |    |   |        |   |   |   |   |   |   |   |   |   |    |   |        |   |   |   |   |   |   |   |   |   |    |   |        |   |   |   |   |   |   |   |   |   |    |       |       |   |   |   |   |   |   |   |   |       |    |      |       |   |   |   |   |   |   |   |   |       |    |      |       |   |   |   |   |   |   |   |   |       |    |      |       |   |   |   |   |   |   |   |   |       |    |      |       |   |   |   |   |   |   |   |   |       |    |      |       |   |   |   |   |   |   |   |   |       |    |      |       |   |   |   |   |   |   |   |   |       |    |      |       |       |   |   |   |   |   |   |   |       |    |      |       |       |   |   |   |   |   |   |   |       |    |      |       |       |   |   |   |   |   |   |   |       |    |      |       |       |   |   |   |   |   |   |   |       |    |      |       |       |   |   |   |   |   |   |   |       |    |      |       |       |   |   |   |   |   |   |   |       |    |      |       |       |   |   |   |   |   |   |   |       |    |      |       |       |   |   |   |   |   |   |   |       |    |      |       |       |       |   |   |   |   |   |   |       |    |   |   |       |       |   |   |   |   |   |   |       |    |   |   |       |       |   |   |   |   |   |   |       |     |   |   |       |       |   |   |   |   |   |   |       |     |   |   |       |       |   |   |   |   |   |   |       |     |   |   |       |       |   |   |   |   |   |   |       |     |   |   |       |       |   |   |   |   |   |   |       |     |   |   |   |       |   |   |   |   |   |   |       |     |   |   |   |       |   |   |   |   |   |   |       |     |   |   |   |       |       |   |   |   |   |   |       |     |   |   |   |       |       |   |   |   |   |   |      |     |   |   |   |       |      |   |   |   |   |   |      |     |   |   |   |   |      |   |   |   |   |   |      |     |   |   |   |   |      |   |   |   |   |   |      |     |   |   |   |   |      |   |   |   |   |   |      |     |   |   |   |   |      |   |   |      |   |   |      |     |   |   |   |   |   |   |   |      |   |   |      |     |   |   |   |   |   |   |   |      |   |      |      |     |   |   |   |   |   |   |   |   |   |      |      |     |   |   |   |   |   |   |   |   |   |   |      |     |   |   |   |   |   |   |   |   |   |   |      |     |   |   |   |   |   |   |   |   |   |   |      |
| 44   | 80,0  | 156,0   | -     | -      | -     | -           | - | -    | - | -    | 154,0       |      |  |  |  |  |  |  |  |  |  |  |      |     |  |  |  |  |  |  |  |  |  |  |             |                         |  |  |  |  |  |  |  |  |  |  |  |   |   |   |   |   |   |   |   |   |   |   |   |    |   |        |   |   |   |   |   |   |   |   |   |    |   |        |   |   |   |   |   |   |   |   |   |    |   |        |   |   |   |   |   |   |   |   |   |    |       |       |   |   |   |   |   |   |   |   |       |    |      |       |   |   |   |   |   |   |   |   |       |    |      |       |   |   |   |   |   |   |   |   |       |    |      |       |   |   |   |   |   |   |   |   |       |    |      |       |   |   |   |   |   |   |   |   |       |    |      |       |   |   |   |   |   |   |   |   |       |    |      |       |   |   |   |   |   |   |   |   |       |    |      |       |       |   |   |   |   |   |   |   |       |    |      |       |       |   |   |   |   |   |   |   |       |    |      |       |       |   |   |   |   |   |   |   |       |    |      |       |       |   |   |   |   |   |   |   |       |    |      |       |       |   |   |   |   |   |   |   |       |    |      |       |       |   |   |   |   |   |   |   |       |    |      |       |       |   |   |   |   |   |   |   |       |    |      |       |       |   |   |   |   |   |   |   |       |    |      |       |       |       |   |   |   |   |   |   |       |    |   |   |       |       |   |   |   |   |   |   |       |    |   |   |       |       |   |   |   |   |   |   |       |     |   |   |       |       |   |   |   |   |   |   |       |     |   |   |       |       |   |   |   |   |   |   |       |     |   |   |       |       |   |   |   |   |   |   |       |     |   |   |       |       |   |   |   |   |   |   |       |     |   |   |   |       |   |   |   |   |   |   |       |     |   |   |   |       |   |   |   |   |   |   |       |     |   |   |   |       |       |   |   |   |   |   |       |     |   |   |   |       |       |   |   |   |   |   |      |     |   |   |   |       |      |   |   |   |   |   |      |     |   |   |   |   |      |   |   |   |   |   |      |     |   |   |   |   |      |   |   |   |   |   |      |     |   |   |   |   |      |   |   |   |   |   |      |     |   |   |   |   |      |   |   |      |   |   |      |     |   |   |   |   |   |   |   |      |   |   |      |     |   |   |   |   |   |   |   |      |   |      |      |     |   |   |   |   |   |   |   |   |   |      |      |     |   |   |   |   |   |   |   |   |   |   |      |     |   |   |   |   |   |   |   |   |   |   |      |     |   |   |   |   |   |   |   |   |   |   |      |
| 46   | 75,0  | 155,0   | -     | -      | -     | -           | - | -    | - | -    | 154,0       |      |  |  |  |  |  |  |  |  |  |  |      |     |  |  |  |  |  |  |  |  |  |  |             |                         |  |  |  |  |  |  |  |  |  |  |  |   |   |   |   |   |   |   |   |   |   |   |   |    |   |        |   |   |   |   |   |   |   |   |   |    |   |        |   |   |   |   |   |   |   |   |   |    |   |        |   |   |   |   |   |   |   |   |   |    |       |       |   |   |   |   |   |   |   |   |       |    |      |       |   |   |   |   |   |   |   |   |       |    |      |       |   |   |   |   |   |   |   |   |       |    |      |       |   |   |   |   |   |   |   |   |       |    |      |       |   |   |   |   |   |   |   |   |       |    |      |       |   |   |   |   |   |   |   |   |       |    |      |       |   |   |   |   |   |   |   |   |       |    |      |       |       |   |   |   |   |   |   |   |       |    |      |       |       |   |   |   |   |   |   |   |       |    |      |       |       |   |   |   |   |   |   |   |       |    |      |       |       |   |   |   |   |   |   |   |       |    |      |       |       |   |   |   |   |   |   |   |       |    |      |       |       |   |   |   |   |   |   |   |       |    |      |       |       |   |   |   |   |   |   |   |       |    |      |       |       |   |   |   |   |   |   |   |       |    |      |       |       |       |   |   |   |   |   |   |       |    |   |   |       |       |   |   |   |   |   |   |       |    |   |   |       |       |   |   |   |   |   |   |       |     |   |   |       |       |   |   |   |   |   |   |       |     |   |   |       |       |   |   |   |   |   |   |       |     |   |   |       |       |   |   |   |   |   |   |       |     |   |   |       |       |   |   |   |   |   |   |       |     |   |   |   |       |   |   |   |   |   |   |       |     |   |   |   |       |   |   |   |   |   |   |       |     |   |   |   |       |       |   |   |   |   |   |       |     |   |   |   |       |       |   |   |   |   |   |      |     |   |   |   |       |      |   |   |   |   |   |      |     |   |   |   |   |      |   |   |   |   |   |      |     |   |   |   |   |      |   |   |   |   |   |      |     |   |   |   |   |      |   |   |   |   |   |      |     |   |   |   |   |      |   |   |      |   |   |      |     |   |   |   |   |   |   |   |      |   |   |      |     |   |   |   |   |   |   |   |      |   |      |      |     |   |   |   |   |   |   |   |   |   |      |      |     |   |   |   |   |   |   |   |   |   |   |      |     |   |   |   |   |   |   |   |   |   |   |      |     |   |   |   |   |   |   |   |   |   |   |      |
| 50   | 66,5  | 151,0   | -     | -      | -     | -           | - | -    | - | -    | 154,0       |      |  |  |  |  |  |  |  |  |  |  |      |     |  |  |  |  |  |  |  |  |  |  |             |                         |  |  |  |  |  |  |  |  |  |  |  |   |   |   |   |   |   |   |   |   |   |   |   |    |   |        |   |   |   |   |   |   |   |   |   |    |   |        |   |   |   |   |   |   |   |   |   |    |   |        |   |   |   |   |   |   |   |   |   |    |       |       |   |   |   |   |   |   |   |   |       |    |      |       |   |   |   |   |   |   |   |   |       |    |      |       |   |   |   |   |   |   |   |   |       |    |      |       |   |   |   |   |   |   |   |   |       |    |      |       |   |   |   |   |   |   |   |   |       |    |      |       |   |   |   |   |   |   |   |   |       |    |      |       |   |   |   |   |   |   |   |   |       |    |      |       |       |   |   |   |   |   |   |   |       |    |      |       |       |   |   |   |   |   |   |   |       |    |      |       |       |   |   |   |   |   |   |   |       |    |      |       |       |   |   |   |   |   |   |   |       |    |      |       |       |   |   |   |   |   |   |   |       |    |      |       |       |   |   |   |   |   |   |   |       |    |      |       |       |   |   |   |   |   |   |   |       |    |      |       |       |   |   |   |   |   |   |   |       |    |      |       |       |       |   |   |   |   |   |   |       |    |   |   |       |       |   |   |   |   |   |   |       |    |   |   |       |       |   |   |   |   |   |   |       |     |   |   |       |       |   |   |   |   |   |   |       |     |   |   |       |       |   |   |   |   |   |   |       |     |   |   |       |       |   |   |   |   |   |   |       |     |   |   |       |       |   |   |   |   |   |   |       |     |   |   |   |       |   |   |   |   |   |   |       |     |   |   |   |       |   |   |   |   |   |   |       |     |   |   |   |       |       |   |   |   |   |   |       |     |   |   |   |       |       |   |   |   |   |   |      |     |   |   |   |       |      |   |   |   |   |   |      |     |   |   |   |   |      |   |   |   |   |   |      |     |   |   |   |   |      |   |   |   |   |   |      |     |   |   |   |   |      |   |   |   |   |   |      |     |   |   |   |   |      |   |   |      |   |   |      |     |   |   |   |   |   |   |   |      |   |   |      |     |   |   |   |   |   |   |   |      |   |      |      |     |   |   |   |   |   |   |   |   |   |      |      |     |   |   |   |   |   |   |   |   |   |   |      |     |   |   |   |   |   |   |   |   |   |   |      |     |   |   |   |   |   |   |   |   |   |   |      |
| 54   | 59,0  | 148,0   | -     | -      | -     | -           | - | -    | - | -    | 154,0       |      |  |  |  |  |  |  |  |  |  |  |      |     |  |  |  |  |  |  |  |  |  |  |             |                         |  |  |  |  |  |  |  |  |  |  |  |   |   |   |   |   |   |   |   |   |   |   |   |    |   |        |   |   |   |   |   |   |   |   |   |    |   |        |   |   |   |   |   |   |   |   |   |    |   |        |   |   |   |   |   |   |   |   |   |    |       |       |   |   |   |   |   |   |   |   |       |    |      |       |   |   |   |   |   |   |   |   |       |    |      |       |   |   |   |   |   |   |   |   |       |    |      |       |   |   |   |   |   |   |   |   |       |    |      |       |   |   |   |   |   |   |   |   |       |    |      |       |   |   |   |   |   |   |   |   |       |    |      |       |   |   |   |   |   |   |   |   |       |    |      |       |       |   |   |   |   |   |   |   |       |    |      |       |       |   |   |   |   |   |   |   |       |    |      |       |       |   |   |   |   |   |   |   |       |    |      |       |       |   |   |   |   |   |   |   |       |    |      |       |       |   |   |   |   |   |   |   |       |    |      |       |       |   |   |   |   |   |   |   |       |    |      |       |       |   |   |   |   |   |   |   |       |    |      |       |       |   |   |   |   |   |   |   |       |    |      |       |       |       |   |   |   |   |   |   |       |    |   |   |       |       |   |   |   |   |   |   |       |    |   |   |       |       |   |   |   |   |   |   |       |     |   |   |       |       |   |   |   |   |   |   |       |     |   |   |       |       |   |   |   |   |   |   |       |     |   |   |       |       |   |   |   |   |   |   |       |     |   |   |       |       |   |   |   |   |   |   |       |     |   |   |   |       |   |   |   |   |   |   |       |     |   |   |   |       |   |   |   |   |   |   |       |     |   |   |   |       |       |   |   |   |   |   |       |     |   |   |   |       |       |   |   |   |   |   |      |     |   |   |   |       |      |   |   |   |   |   |      |     |   |   |   |   |      |   |   |   |   |   |      |     |   |   |   |   |      |   |   |   |   |   |      |     |   |   |   |   |      |   |   |   |   |   |      |     |   |   |   |   |      |   |   |      |   |   |      |     |   |   |   |   |   |   |   |      |   |   |      |     |   |   |   |   |   |   |   |      |   |      |      |     |   |   |   |   |   |   |   |   |   |      |      |     |   |   |   |   |   |   |   |   |   |   |      |     |   |   |   |   |   |   |   |   |   |   |      |     |   |   |   |   |   |   |   |   |   |   |      |
| 58   | 52,5  | 144,0   | -     | -      | -     | -           | - | -    | - | -    | 154,0       |      |  |  |  |  |  |  |  |  |  |  |      |     |  |  |  |  |  |  |  |  |  |  |             |                         |  |  |  |  |  |  |  |  |  |  |  |   |   |   |   |   |   |   |   |   |   |   |   |    |   |        |   |   |   |   |   |   |   |   |   |    |   |        |   |   |   |   |   |   |   |   |   |    |   |        |   |   |   |   |   |   |   |   |   |    |       |       |   |   |   |   |   |   |   |   |       |    |      |       |   |   |   |   |   |   |   |   |       |    |      |       |   |   |   |   |   |   |   |   |       |    |      |       |   |   |   |   |   |   |   |   |       |    |      |       |   |   |   |   |   |   |   |   |       |    |      |       |   |   |   |   |   |   |   |   |       |    |      |       |   |   |   |   |   |   |   |   |       |    |      |       |       |   |   |   |   |   |   |   |       |    |      |       |       |   |   |   |   |   |   |   |       |    |      |       |       |   |   |   |   |   |   |   |       |    |      |       |       |   |   |   |   |   |   |   |       |    |      |       |       |   |   |   |   |   |   |   |       |    |      |       |       |   |   |   |   |   |   |   |       |    |      |       |       |   |   |   |   |   |   |   |       |    |      |       |       |   |   |   |   |   |   |   |       |    |      |       |       |       |   |   |   |   |   |   |       |    |   |   |       |       |   |   |   |   |   |   |       |    |   |   |       |       |   |   |   |   |   |   |       |     |   |   |       |       |   |   |   |   |   |   |       |     |   |   |       |       |   |   |   |   |   |   |       |     |   |   |       |       |   |   |   |   |   |   |       |     |   |   |       |       |   |   |   |   |   |   |       |     |   |   |   |       |   |   |   |   |   |   |       |     |   |   |   |       |   |   |   |   |   |   |       |     |   |   |   |       |       |   |   |   |   |   |       |     |   |   |   |       |       |   |   |   |   |   |      |     |   |   |   |       |      |   |   |   |   |   |      |     |   |   |   |   |      |   |   |   |   |   |      |     |   |   |   |   |      |   |   |   |   |   |      |     |   |   |   |   |      |   |   |   |   |   |      |     |   |   |   |   |      |   |   |      |   |   |      |     |   |   |   |   |   |   |   |      |   |   |      |     |   |   |   |   |   |   |   |      |   |      |      |     |   |   |   |   |   |   |   |   |   |      |      |     |   |   |   |   |   |   |   |   |   |   |      |     |   |   |   |   |   |   |   |   |   |   |      |     |   |   |   |   |   |   |   |   |   |   |      |
| 62   | 46,5  | 141,0   | -     | -      | -     | -           | - | -    | - | -    | 154,0       |      |  |  |  |  |  |  |  |  |  |  |      |     |  |  |  |  |  |  |  |  |  |  |             |                         |  |  |  |  |  |  |  |  |  |  |  |   |   |   |   |   |   |   |   |   |   |   |   |    |   |        |   |   |   |   |   |   |   |   |   |    |   |        |   |   |   |   |   |   |   |   |   |    |   |        |   |   |   |   |   |   |   |   |   |    |       |       |   |   |   |   |   |   |   |   |       |    |      |       |   |   |   |   |   |   |   |   |       |    |      |       |   |   |   |   |   |   |   |   |       |    |      |       |   |   |   |   |   |   |   |   |       |    |      |       |   |   |   |   |   |   |   |   |       |    |      |       |   |   |   |   |   |   |   |   |       |    |      |       |   |   |   |   |   |   |   |   |       |    |      |       |       |   |   |   |   |   |   |   |       |    |      |       |       |   |   |   |   |   |   |   |       |    |      |       |       |   |   |   |   |   |   |   |       |    |      |       |       |   |   |   |   |   |   |   |       |    |      |       |       |   |   |   |   |   |   |   |       |    |      |       |       |   |   |   |   |   |   |   |       |    |      |       |       |   |   |   |   |   |   |   |       |    |      |       |       |   |   |   |   |   |   |   |       |    |      |       |       |       |   |   |   |   |   |   |       |    |   |   |       |       |   |   |   |   |   |   |       |    |   |   |       |       |   |   |   |   |   |   |       |     |   |   |       |       |   |   |   |   |   |   |       |     |   |   |       |       |   |   |   |   |   |   |       |     |   |   |       |       |   |   |   |   |   |   |       |     |   |   |       |       |   |   |   |   |   |   |       |     |   |   |   |       |   |   |   |   |   |   |       |     |   |   |   |       |   |   |   |   |   |   |       |     |   |   |   |       |       |   |   |   |   |   |       |     |   |   |   |       |       |   |   |   |   |   |      |     |   |   |   |       |      |   |   |   |   |   |      |     |   |   |   |   |      |   |   |   |   |   |      |     |   |   |   |   |      |   |   |   |   |   |      |     |   |   |   |   |      |   |   |   |   |   |      |     |   |   |   |   |      |   |   |      |   |   |      |     |   |   |   |   |   |   |   |      |   |   |      |     |   |   |   |   |   |   |   |      |   |      |      |     |   |   |   |   |   |   |   |   |   |      |      |     |   |   |   |   |   |   |   |   |   |   |      |     |   |   |   |   |   |   |   |   |   |   |      |     |   |   |   |   |   |   |   |   |   |   |      |
| 66   | 41,3  | 137,0   | -     | -      | -     | -           | - | -    | - | -    | 153,0       |      |  |  |  |  |  |  |  |  |  |  |      |     |  |  |  |  |  |  |  |  |  |  |             |                         |  |  |  |  |  |  |  |  |  |  |  |   |   |   |   |   |   |   |   |   |   |   |   |    |   |        |   |   |   |   |   |   |   |   |   |    |   |        |   |   |   |   |   |   |   |   |   |    |   |        |   |   |   |   |   |   |   |   |   |    |       |       |   |   |   |   |   |   |   |   |       |    |      |       |   |   |   |   |   |   |   |   |       |    |      |       |   |   |   |   |   |   |   |   |       |    |      |       |   |   |   |   |   |   |   |   |       |    |      |       |   |   |   |   |   |   |   |   |       |    |      |       |   |   |   |   |   |   |   |   |       |    |      |       |   |   |   |   |   |   |   |   |       |    |      |       |       |   |   |   |   |   |   |   |       |    |      |       |       |   |   |   |   |   |   |   |       |    |      |       |       |   |   |   |   |   |   |   |       |    |      |       |       |   |   |   |   |   |   |   |       |    |      |       |       |   |   |   |   |   |   |   |       |    |      |       |       |   |   |   |   |   |   |   |       |    |      |       |       |   |   |   |   |   |   |   |       |    |      |       |       |   |   |   |   |   |   |   |       |    |      |       |       |       |   |   |   |   |   |   |       |    |   |   |       |       |   |   |   |   |   |   |       |    |   |   |       |       |   |   |   |   |   |   |       |     |   |   |       |       |   |   |   |   |   |   |       |     |   |   |       |       |   |   |   |   |   |   |       |     |   |   |       |       |   |   |   |   |   |   |       |     |   |   |       |       |   |   |   |   |   |   |       |     |   |   |   |       |   |   |   |   |   |   |       |     |   |   |   |       |   |   |   |   |   |   |       |     |   |   |   |       |       |   |   |   |   |   |       |     |   |   |   |       |       |   |   |   |   |   |      |     |   |   |   |       |      |   |   |   |   |   |      |     |   |   |   |   |      |   |   |   |   |   |      |     |   |   |   |   |      |   |   |   |   |   |      |     |   |   |   |   |      |   |   |   |   |   |      |     |   |   |   |   |      |   |   |      |   |   |      |     |   |   |   |   |   |   |   |      |   |   |      |     |   |   |   |   |   |   |   |      |   |      |      |     |   |   |   |   |   |   |   |   |   |      |      |     |   |   |   |   |   |   |   |   |   |   |      |     |   |   |   |   |   |   |   |   |   |   |      |     |   |   |   |   |   |   |   |   |   |   |      |
| 70   | 36,5  | 134,0   | -     | -      | -     | -           | - | -    | - | -    | 151,0       |      |  |  |  |  |  |  |  |  |  |  |      |     |  |  |  |  |  |  |  |  |  |  |             |                         |  |  |  |  |  |  |  |  |  |  |  |   |   |   |   |   |   |   |   |   |   |   |   |    |   |        |   |   |   |   |   |   |   |   |   |    |   |        |   |   |   |   |   |   |   |   |   |    |   |        |   |   |   |   |   |   |   |   |   |    |       |       |   |   |   |   |   |   |   |   |       |    |      |       |   |   |   |   |   |   |   |   |       |    |      |       |   |   |   |   |   |   |   |   |       |    |      |       |   |   |   |   |   |   |   |   |       |    |      |       |   |   |   |   |   |   |   |   |       |    |      |       |   |   |   |   |   |   |   |   |       |    |      |       |   |   |   |   |   |   |   |   |       |    |      |       |       |   |   |   |   |   |   |   |       |    |      |       |       |   |   |   |   |   |   |   |       |    |      |       |       |   |   |   |   |   |   |   |       |    |      |       |       |   |   |   |   |   |   |   |       |    |      |       |       |   |   |   |   |   |   |   |       |    |      |       |       |   |   |   |   |   |   |   |       |    |      |       |       |   |   |   |   |   |   |   |       |    |      |       |       |   |   |   |   |   |   |   |       |    |      |       |       |       |   |   |   |   |   |   |       |    |   |   |       |       |   |   |   |   |   |   |       |    |   |   |       |       |   |   |   |   |   |   |       |     |   |   |       |       |   |   |   |   |   |   |       |     |   |   |       |       |   |   |   |   |   |   |       |     |   |   |       |       |   |   |   |   |   |   |       |     |   |   |       |       |   |   |   |   |   |   |       |     |   |   |   |       |   |   |   |   |   |   |       |     |   |   |   |       |   |   |   |   |   |   |       |     |   |   |   |       |       |   |   |   |   |   |       |     |   |   |   |       |       |   |   |   |   |   |      |     |   |   |   |       |      |   |   |   |   |   |      |     |   |   |   |   |      |   |   |   |   |   |      |     |   |   |   |   |      |   |   |   |   |   |      |     |   |   |   |   |      |   |   |   |   |   |      |     |   |   |   |   |      |   |   |      |   |   |      |     |   |   |   |   |   |   |   |      |   |   |      |     |   |   |   |   |   |   |   |      |   |      |      |     |   |   |   |   |   |   |   |   |   |      |      |     |   |   |   |   |   |   |   |   |   |   |      |     |   |   |   |   |   |   |   |   |   |   |      |     |   |   |   |   |   |   |   |   |   |   |      |
| 72   | 34,3  | 132,0   | 154,0 | -      | -     | -           | - | -    | - | -    | 150,0       |      |  |  |  |  |  |  |  |  |  |  |      |     |  |  |  |  |  |  |  |  |  |  |             |                         |  |  |  |  |  |  |  |  |  |  |  |   |   |   |   |   |   |   |   |   |   |   |   |    |   |        |   |   |   |   |   |   |   |   |   |    |   |        |   |   |   |   |   |   |   |   |   |    |   |        |   |   |   |   |   |   |   |   |   |    |       |       |   |   |   |   |   |   |   |   |       |    |      |       |   |   |   |   |   |   |   |   |       |    |      |       |   |   |   |   |   |   |   |   |       |    |      |       |   |   |   |   |   |   |   |   |       |    |      |       |   |   |   |   |   |   |   |   |       |    |      |       |   |   |   |   |   |   |   |   |       |    |      |       |   |   |   |   |   |   |   |   |       |    |      |       |       |   |   |   |   |   |   |   |       |    |      |       |       |   |   |   |   |   |   |   |       |    |      |       |       |   |   |   |   |   |   |   |       |    |      |       |       |   |   |   |   |   |   |   |       |    |      |       |       |   |   |   |   |   |   |   |       |    |      |       |       |   |   |   |   |   |   |   |       |    |      |       |       |   |   |   |   |   |   |   |       |    |      |       |       |   |   |   |   |   |   |   |       |    |      |       |       |       |   |   |   |   |   |   |       |    |   |   |       |       |   |   |   |   |   |   |       |    |   |   |       |       |   |   |   |   |   |   |       |     |   |   |       |       |   |   |   |   |   |   |       |     |   |   |       |       |   |   |   |   |   |   |       |     |   |   |       |       |   |   |   |   |   |   |       |     |   |   |       |       |   |   |   |   |   |   |       |     |   |   |   |       |   |   |   |   |   |   |       |     |   |   |   |       |   |   |   |   |   |   |       |     |   |   |   |       |       |   |   |   |   |   |       |     |   |   |   |       |       |   |   |   |   |   |      |     |   |   |   |       |      |   |   |   |   |   |      |     |   |   |   |   |      |   |   |   |   |   |      |     |   |   |   |   |      |   |   |   |   |   |      |     |   |   |   |   |      |   |   |   |   |   |      |     |   |   |   |   |      |   |   |      |   |   |      |     |   |   |   |   |   |   |   |      |   |   |      |     |   |   |   |   |   |   |   |      |   |      |      |     |   |   |   |   |   |   |   |   |   |      |      |     |   |   |   |   |   |   |   |   |   |   |      |     |   |   |   |   |   |   |   |   |   |   |      |     |   |   |   |   |   |   |   |   |   |   |      |
| 74   | 32,2  | 130,0   | 154,0 | -      | -     | -           | - | -    | - | -    | 149,0       |      |  |  |  |  |  |  |  |  |  |  |      |     |  |  |  |  |  |  |  |  |  |  |             |                         |  |  |  |  |  |  |  |  |  |  |  |   |   |   |   |   |   |   |   |   |   |   |   |    |   |        |   |   |   |   |   |   |   |   |   |    |   |        |   |   |   |   |   |   |   |   |   |    |   |        |   |   |   |   |   |   |   |   |   |    |       |       |   |   |   |   |   |   |   |   |       |    |      |       |   |   |   |   |   |   |   |   |       |    |      |       |   |   |   |   |   |   |   |   |       |    |      |       |   |   |   |   |   |   |   |   |       |    |      |       |   |   |   |   |   |   |   |   |       |    |      |       |   |   |   |   |   |   |   |   |       |    |      |       |   |   |   |   |   |   |   |   |       |    |      |       |       |   |   |   |   |   |   |   |       |    |      |       |       |   |   |   |   |   |   |   |       |    |      |       |       |   |   |   |   |   |   |   |       |    |      |       |       |   |   |   |   |   |   |   |       |    |      |       |       |   |   |   |   |   |   |   |       |    |      |       |       |   |   |   |   |   |   |   |       |    |      |       |       |   |   |   |   |   |   |   |       |    |      |       |       |   |   |   |   |   |   |   |       |    |      |       |       |       |   |   |   |   |   |   |       |    |   |   |       |       |   |   |   |   |   |   |       |    |   |   |       |       |   |   |   |   |   |   |       |     |   |   |       |       |   |   |   |   |   |   |       |     |   |   |       |       |   |   |   |   |   |   |       |     |   |   |       |       |   |   |   |   |   |   |       |     |   |   |       |       |   |   |   |   |   |   |       |     |   |   |   |       |   |   |   |   |   |   |       |     |   |   |   |       |   |   |   |   |   |   |       |     |   |   |   |       |       |   |   |   |   |   |       |     |   |   |   |       |       |   |   |   |   |   |      |     |   |   |   |       |      |   |   |   |   |   |      |     |   |   |   |   |      |   |   |   |   |   |      |     |   |   |   |   |      |   |   |   |   |   |      |     |   |   |   |   |      |   |   |   |   |   |      |     |   |   |   |   |      |   |   |      |   |   |      |     |   |   |   |   |   |   |   |      |   |   |      |     |   |   |   |   |   |   |   |      |   |      |      |     |   |   |   |   |   |   |   |   |   |      |      |     |   |   |   |   |   |   |   |   |   |   |      |     |   |   |   |   |   |   |   |   |   |   |      |     |   |   |   |   |   |   |   |   |   |   |      |
| 78   | 28,3  | 127,0   | 154,0 | -      | -     | -           | - | -    | - | -    | 147,0       |      |  |  |  |  |  |  |  |  |  |  |      |     |  |  |  |  |  |  |  |  |  |  |             |                         |  |  |  |  |  |  |  |  |  |  |  |   |   |   |   |   |   |   |   |   |   |   |   |    |   |        |   |   |   |   |   |   |   |   |   |    |   |        |   |   |   |   |   |   |   |   |   |    |   |        |   |   |   |   |   |   |   |   |   |    |       |       |   |   |   |   |   |   |   |   |       |    |      |       |   |   |   |   |   |   |   |   |       |    |      |       |   |   |   |   |   |   |   |   |       |    |      |       |   |   |   |   |   |   |   |   |       |    |      |       |   |   |   |   |   |   |   |   |       |    |      |       |   |   |   |   |   |   |   |   |       |    |      |       |   |   |   |   |   |   |   |   |       |    |      |       |       |   |   |   |   |   |   |   |       |    |      |       |       |   |   |   |   |   |   |   |       |    |      |       |       |   |   |   |   |   |   |   |       |    |      |       |       |   |   |   |   |   |   |   |       |    |      |       |       |   |   |   |   |   |   |   |       |    |      |       |       |   |   |   |   |   |   |   |       |    |      |       |       |   |   |   |   |   |   |   |       |    |      |       |       |   |   |   |   |   |   |   |       |    |      |       |       |       |   |   |   |   |   |   |       |    |   |   |       |       |   |   |   |   |   |   |       |    |   |   |       |       |   |   |   |   |   |   |       |     |   |   |       |       |   |   |   |   |   |   |       |     |   |   |       |       |   |   |   |   |   |   |       |     |   |   |       |       |   |   |   |   |   |   |       |     |   |   |       |       |   |   |   |   |   |   |       |     |   |   |   |       |   |   |   |   |   |   |       |     |   |   |   |       |   |   |   |   |   |   |       |     |   |   |   |       |       |   |   |   |   |   |       |     |   |   |   |       |       |   |   |   |   |   |      |     |   |   |   |       |      |   |   |   |   |   |      |     |   |   |   |   |      |   |   |   |   |   |      |     |   |   |   |   |      |   |   |   |   |   |      |     |   |   |   |   |      |   |   |   |   |   |      |     |   |   |   |   |      |   |   |      |   |   |      |     |   |   |   |   |   |   |   |      |   |   |      |     |   |   |   |   |   |   |   |      |   |      |      |     |   |   |   |   |   |   |   |   |   |      |      |     |   |   |   |   |   |   |   |   |   |   |      |     |   |   |   |   |   |   |   |   |   |   |      |     |   |   |   |   |   |   |   |   |   |   |      |
| 80   | 26,4  | 125,0   | 154,0 | -      | -     | -           | - | -    | - | -    | 145,5       |      |  |  |  |  |  |  |  |  |  |  |      |     |  |  |  |  |  |  |  |  |  |  |             |                         |  |  |  |  |  |  |  |  |  |  |  |   |   |   |   |   |   |   |   |   |   |   |   |    |   |        |   |   |   |   |   |   |   |   |   |    |   |        |   |   |   |   |   |   |   |   |   |    |   |        |   |   |   |   |   |   |   |   |   |    |       |       |   |   |   |   |   |   |   |   |       |    |      |       |   |   |   |   |   |   |   |   |       |    |      |       |   |   |   |   |   |   |   |   |       |    |      |       |   |   |   |   |   |   |   |   |       |    |      |       |   |   |   |   |   |   |   |   |       |    |      |       |   |   |   |   |   |   |   |   |       |    |      |       |   |   |   |   |   |   |   |   |       |    |      |       |       |   |   |   |   |   |   |   |       |    |      |       |       |   |   |   |   |   |   |   |       |    |      |       |       |   |   |   |   |   |   |   |       |    |      |       |       |   |   |   |   |   |   |   |       |    |      |       |       |   |   |   |   |   |   |   |       |    |      |       |       |   |   |   |   |   |   |   |       |    |      |       |       |   |   |   |   |   |   |   |       |    |      |       |       |   |   |   |   |   |   |   |       |    |      |       |       |       |   |   |   |   |   |   |       |    |   |   |       |       |   |   |   |   |   |   |       |    |   |   |       |       |   |   |   |   |   |   |       |     |   |   |       |       |   |   |   |   |   |   |       |     |   |   |       |       |   |   |   |   |   |   |       |     |   |   |       |       |   |   |   |   |   |   |       |     |   |   |       |       |   |   |   |   |   |   |       |     |   |   |   |       |   |   |   |   |   |   |       |     |   |   |   |       |   |   |   |   |   |   |       |     |   |   |   |       |       |   |   |   |   |   |       |     |   |   |   |       |       |   |   |   |   |   |      |     |   |   |   |       |      |   |   |   |   |   |      |     |   |   |   |   |      |   |   |   |   |   |      |     |   |   |   |   |      |   |   |   |   |   |      |     |   |   |   |   |      |   |   |   |   |   |      |     |   |   |   |   |      |   |   |      |   |   |      |     |   |   |   |   |   |   |   |      |   |   |      |     |   |   |   |   |   |   |   |      |   |      |      |     |   |   |   |   |   |   |   |   |   |      |      |     |   |   |   |   |   |   |   |   |   |   |      |     |   |   |   |   |   |   |   |   |   |   |      |     |   |   |   |   |   |   |   |   |   |   |      |
| 82   | 24,7  | 123,0   | 154,0 | -      | -     | -           | - | -    | - | -    | 144,0       |      |  |  |  |  |  |  |  |  |  |  |      |     |  |  |  |  |  |  |  |  |  |  |             |                         |  |  |  |  |  |  |  |  |  |  |  |   |   |   |   |   |   |   |   |   |   |   |   |    |   |        |   |   |   |   |   |   |   |   |   |    |   |        |   |   |   |   |   |   |   |   |   |    |   |        |   |   |   |   |   |   |   |   |   |    |       |       |   |   |   |   |   |   |   |   |       |    |      |       |   |   |   |   |   |   |   |   |       |    |      |       |   |   |   |   |   |   |   |   |       |    |      |       |   |   |   |   |   |   |   |   |       |    |      |       |   |   |   |   |   |   |   |   |       |    |      |       |   |   |   |   |   |   |   |   |       |    |      |       |   |   |   |   |   |   |   |   |       |    |      |       |       |   |   |   |   |   |   |   |       |    |      |       |       |   |   |   |   |   |   |   |       |    |      |       |       |   |   |   |   |   |   |   |       |    |      |       |       |   |   |   |   |   |   |   |       |    |      |       |       |   |   |   |   |   |   |   |       |    |      |       |       |   |   |   |   |   |   |   |       |    |      |       |       |   |   |   |   |   |   |   |       |    |      |       |       |   |   |   |   |   |   |   |       |    |      |       |       |       |   |   |   |   |   |   |       |    |   |   |       |       |   |   |   |   |   |   |       |    |   |   |       |       |   |   |   |   |   |   |       |     |   |   |       |       |   |   |   |   |   |   |       |     |   |   |       |       |   |   |   |   |   |   |       |     |   |   |       |       |   |   |   |   |   |   |       |     |   |   |       |       |   |   |   |   |   |   |       |     |   |   |   |       |   |   |   |   |   |   |       |     |   |   |   |       |   |   |   |   |   |   |       |     |   |   |   |       |       |   |   |   |   |   |       |     |   |   |   |       |       |   |   |   |   |   |      |     |   |   |   |       |      |   |   |   |   |   |      |     |   |   |   |   |      |   |   |   |   |   |      |     |   |   |   |   |      |   |   |   |   |   |      |     |   |   |   |   |      |   |   |   |   |   |      |     |   |   |   |   |      |   |   |      |   |   |      |     |   |   |   |   |   |   |   |      |   |   |      |     |   |   |   |   |   |   |   |      |   |      |      |     |   |   |   |   |   |   |   |   |   |      |      |     |   |   |   |   |   |   |   |   |   |   |      |     |   |   |   |   |   |   |   |   |   |   |      |     |   |   |   |   |   |   |   |   |   |   |      |
| 86   | 21,4  | 119,0   | 152,0 | -      | -     | -           | - | -    | - | -    | 142,0       |      |  |  |  |  |  |  |  |  |  |  |      |     |  |  |  |  |  |  |  |  |  |  |             |                         |  |  |  |  |  |  |  |  |  |  |  |   |   |   |   |   |   |   |   |   |   |   |   |    |   |        |   |   |   |   |   |   |   |   |   |    |   |        |   |   |   |   |   |   |   |   |   |    |   |        |   |   |   |   |   |   |   |   |   |    |       |       |   |   |   |   |   |   |   |   |       |    |      |       |   |   |   |   |   |   |   |   |       |    |      |       |   |   |   |   |   |   |   |   |       |    |      |       |   |   |   |   |   |   |   |   |       |    |      |       |   |   |   |   |   |   |   |   |       |    |      |       |   |   |   |   |   |   |   |   |       |    |      |       |   |   |   |   |   |   |   |   |       |    |      |       |       |   |   |   |   |   |   |   |       |    |      |       |       |   |   |   |   |   |   |   |       |    |      |       |       |   |   |   |   |   |   |   |       |    |      |       |       |   |   |   |   |   |   |   |       |    |      |       |       |   |   |   |   |   |   |   |       |    |      |       |       |   |   |   |   |   |   |   |       |    |      |       |       |   |   |   |   |   |   |   |       |    |      |       |       |   |   |   |   |   |   |   |       |    |      |       |       |       |   |   |   |   |   |   |       |    |   |   |       |       |   |   |   |   |   |   |       |    |   |   |       |       |   |   |   |   |   |   |       |     |   |   |       |       |   |   |   |   |   |   |       |     |   |   |       |       |   |   |   |   |   |   |       |     |   |   |       |       |   |   |   |   |   |   |       |     |   |   |       |       |   |   |   |   |   |   |       |     |   |   |   |       |   |   |   |   |   |   |       |     |   |   |   |       |   |   |   |   |   |   |       |     |   |   |   |       |       |   |   |   |   |   |       |     |   |   |   |       |       |   |   |   |   |   |      |     |   |   |   |       |      |   |   |   |   |   |      |     |   |   |   |   |      |   |   |   |   |   |      |     |   |   |   |   |      |   |   |   |   |   |      |     |   |   |   |   |      |   |   |   |   |   |      |     |   |   |   |   |      |   |   |      |   |   |      |     |   |   |   |   |   |   |   |      |   |   |      |     |   |   |   |   |   |   |   |      |   |      |      |     |   |   |   |   |   |   |   |   |   |      |      |     |   |   |   |   |   |   |   |   |   |   |      |     |   |   |   |   |   |   |   |   |   |   |      |     |   |   |   |   |   |   |   |   |   |   |      |
| 90   | 18,4  | 110,5   | 151,0 | -      | -     | -           | - | -    | - | -    | 137,0       |      |  |  |  |  |  |  |  |  |  |  |      |     |  |  |  |  |  |  |  |  |  |  |             |                         |  |  |  |  |  |  |  |  |  |  |  |   |   |   |   |   |   |   |   |   |   |   |   |    |   |        |   |   |   |   |   |   |   |   |   |    |   |        |   |   |   |   |   |   |   |   |   |    |   |        |   |   |   |   |   |   |   |   |   |    |       |       |   |   |   |   |   |   |   |   |       |    |      |       |   |   |   |   |   |   |   |   |       |    |      |       |   |   |   |   |   |   |   |   |       |    |      |       |   |   |   |   |   |   |   |   |       |    |      |       |   |   |   |   |   |   |   |   |       |    |      |       |   |   |   |   |   |   |   |   |       |    |      |       |   |   |   |   |   |   |   |   |       |    |      |       |       |   |   |   |   |   |   |   |       |    |      |       |       |   |   |   |   |   |   |   |       |    |      |       |       |   |   |   |   |   |   |   |       |    |      |       |       |   |   |   |   |   |   |   |       |    |      |       |       |   |   |   |   |   |   |   |       |    |      |       |       |   |   |   |   |   |   |   |       |    |      |       |       |   |   |   |   |   |   |   |       |    |      |       |       |   |   |   |   |   |   |   |       |    |      |       |       |       |   |   |   |   |   |   |       |    |   |   |       |       |   |   |   |   |   |   |       |    |   |   |       |       |   |   |   |   |   |   |       |     |   |   |       |       |   |   |   |   |   |   |       |     |   |   |       |       |   |   |   |   |   |   |       |     |   |   |       |       |   |   |   |   |   |   |       |     |   |   |       |       |   |   |   |   |   |   |       |     |   |   |   |       |   |   |   |   |   |   |       |     |   |   |   |       |   |   |   |   |   |   |       |     |   |   |   |       |       |   |   |   |   |   |       |     |   |   |   |       |       |   |   |   |   |   |      |     |   |   |   |       |      |   |   |   |   |   |      |     |   |   |   |   |      |   |   |   |   |   |      |     |   |   |   |   |      |   |   |   |   |   |      |     |   |   |   |   |      |   |   |   |   |   |      |     |   |   |   |   |      |   |   |      |   |   |      |     |   |   |   |   |   |   |   |      |   |   |      |     |   |   |   |   |   |   |   |      |   |      |      |     |   |   |   |   |   |   |   |   |   |      |      |     |   |   |   |   |   |   |   |   |   |   |      |     |   |   |   |   |   |   |   |   |   |   |      |     |   |   |   |   |   |   |   |   |   |   |      |
| 92   | 17,0  | 104,0   | 150,0 | -      | -     | -           | - | -    | - | -    | 136,0       |      |  |  |  |  |  |  |  |  |  |  |      |     |  |  |  |  |  |  |  |  |  |  |             |                         |  |  |  |  |  |  |  |  |  |  |  |   |   |   |   |   |   |   |   |   |   |   |   |    |   |        |   |   |   |   |   |   |   |   |   |    |   |        |   |   |   |   |   |   |   |   |   |    |   |        |   |   |   |   |   |   |   |   |   |    |       |       |   |   |   |   |   |   |   |   |       |    |      |       |   |   |   |   |   |   |   |   |       |    |      |       |   |   |   |   |   |   |   |   |       |    |      |       |   |   |   |   |   |   |   |   |       |    |      |       |   |   |   |   |   |   |   |   |       |    |      |       |   |   |   |   |   |   |   |   |       |    |      |       |   |   |   |   |   |   |   |   |       |    |      |       |       |   |   |   |   |   |   |   |       |    |      |       |       |   |   |   |   |   |   |   |       |    |      |       |       |   |   |   |   |   |   |   |       |    |      |       |       |   |   |   |   |   |   |   |       |    |      |       |       |   |   |   |   |   |   |   |       |    |      |       |       |   |   |   |   |   |   |   |       |    |      |       |       |   |   |   |   |   |   |   |       |    |      |       |       |   |   |   |   |   |   |   |       |    |      |       |       |       |   |   |   |   |   |   |       |    |   |   |       |       |   |   |   |   |   |   |       |    |   |   |       |       |   |   |   |   |   |   |       |     |   |   |       |       |   |   |   |   |   |   |       |     |   |   |       |       |   |   |   |   |   |   |       |     |   |   |       |       |   |   |   |   |   |   |       |     |   |   |       |       |   |   |   |   |   |   |       |     |   |   |   |       |   |   |   |   |   |   |       |     |   |   |   |       |   |   |   |   |   |   |       |     |   |   |   |       |       |   |   |   |   |   |       |     |   |   |   |       |       |   |   |   |   |   |      |     |   |   |   |       |      |   |   |   |   |   |      |     |   |   |   |   |      |   |   |   |   |   |      |     |   |   |   |   |      |   |   |   |   |   |      |     |   |   |   |   |      |   |   |   |   |   |      |     |   |   |   |   |      |   |   |      |   |   |      |     |   |   |   |   |   |   |   |      |   |   |      |     |   |   |   |   |   |   |   |      |   |      |      |     |   |   |   |   |   |   |   |   |   |      |      |     |   |   |   |   |   |   |   |   |   |   |      |     |   |   |   |   |   |   |   |   |   |   |      |     |   |   |   |   |   |   |   |   |   |   |      |
| 94   | -     | -       | 147,0 | -      | -     | -           | - | -    | - | -    | 135,0       |      |  |  |  |  |  |  |  |  |  |  |      |     |  |  |  |  |  |  |  |  |  |  |             |                         |  |  |  |  |  |  |  |  |  |  |  |   |   |   |   |   |   |   |   |   |   |   |   |    |   |        |   |   |   |   |   |   |   |   |   |    |   |        |   |   |   |   |   |   |   |   |   |    |   |        |   |   |   |   |   |   |   |   |   |    |       |       |   |   |   |   |   |   |   |   |       |    |      |       |   |   |   |   |   |   |   |   |       |    |      |       |   |   |   |   |   |   |   |   |       |    |      |       |   |   |   |   |   |   |   |   |       |    |      |       |   |   |   |   |   |   |   |   |       |    |      |       |   |   |   |   |   |   |   |   |       |    |      |       |   |   |   |   |   |   |   |   |       |    |      |       |       |   |   |   |   |   |   |   |       |    |      |       |       |   |   |   |   |   |   |   |       |    |      |       |       |   |   |   |   |   |   |   |       |    |      |       |       |   |   |   |   |   |   |   |       |    |      |       |       |   |   |   |   |   |   |   |       |    |      |       |       |   |   |   |   |   |   |   |       |    |      |       |       |   |   |   |   |   |   |   |       |    |      |       |       |   |   |   |   |   |   |   |       |    |      |       |       |       |   |   |   |   |   |   |       |    |   |   |       |       |   |   |   |   |   |   |       |    |   |   |       |       |   |   |   |   |   |   |       |     |   |   |       |       |   |   |   |   |   |   |       |     |   |   |       |       |   |   |   |   |   |   |       |     |   |   |       |       |   |   |   |   |   |   |       |     |   |   |       |       |   |   |   |   |   |   |       |     |   |   |   |       |   |   |   |   |   |   |       |     |   |   |   |       |   |   |   |   |   |   |       |     |   |   |   |       |       |   |   |   |   |   |       |     |   |   |   |       |       |   |   |   |   |   |      |     |   |   |   |       |      |   |   |   |   |   |      |     |   |   |   |   |      |   |   |   |   |   |      |     |   |   |   |   |      |   |   |   |   |   |      |     |   |   |   |   |      |   |   |   |   |   |      |     |   |   |   |   |      |   |   |      |   |   |      |     |   |   |   |   |   |   |   |      |   |   |      |     |   |   |   |   |   |   |   |      |   |      |      |     |   |   |   |   |   |   |   |   |   |      |      |     |   |   |   |   |   |   |   |   |   |   |      |     |   |   |   |   |   |   |   |   |   |   |      |     |   |   |   |   |   |   |   |   |   |   |      |
| 98   | -     | -       | 145,0 | -      | -     | -           | - | -    | - | -    | 132,0       |      |  |  |  |  |  |  |  |  |  |  |      |     |  |  |  |  |  |  |  |  |  |  |             |                         |  |  |  |  |  |  |  |  |  |  |  |   |   |   |   |   |   |   |   |   |   |   |   |    |   |        |   |   |   |   |   |   |   |   |   |    |   |        |   |   |   |   |   |   |   |   |   |    |   |        |   |   |   |   |   |   |   |   |   |    |       |       |   |   |   |   |   |   |   |   |       |    |      |       |   |   |   |   |   |   |   |   |       |    |      |       |   |   |   |   |   |   |   |   |       |    |      |       |   |   |   |   |   |   |   |   |       |    |      |       |   |   |   |   |   |   |   |   |       |    |      |       |   |   |   |   |   |   |   |   |       |    |      |       |   |   |   |   |   |   |   |   |       |    |      |       |       |   |   |   |   |   |   |   |       |    |      |       |       |   |   |   |   |   |   |   |       |    |      |       |       |   |   |   |   |   |   |   |       |    |      |       |       |   |   |   |   |   |   |   |       |    |      |       |       |   |   |   |   |   |   |   |       |    |      |       |       |   |   |   |   |   |   |   |       |    |      |       |       |   |   |   |   |   |   |   |       |    |      |       |       |   |   |   |   |   |   |   |       |    |      |       |       |       |   |   |   |   |   |   |       |    |   |   |       |       |   |   |   |   |   |   |       |    |   |   |       |       |   |   |   |   |   |   |       |     |   |   |       |       |   |   |   |   |   |   |       |     |   |   |       |       |   |   |   |   |   |   |       |     |   |   |       |       |   |   |   |   |   |   |       |     |   |   |       |       |   |   |   |   |   |   |       |     |   |   |   |       |   |   |   |   |   |   |       |     |   |   |   |       |   |   |   |   |   |   |       |     |   |   |   |       |       |   |   |   |   |   |       |     |   |   |   |       |       |   |   |   |   |   |      |     |   |   |   |       |      |   |   |   |   |   |      |     |   |   |   |   |      |   |   |   |   |   |      |     |   |   |   |   |      |   |   |   |   |   |      |     |   |   |   |   |      |   |   |   |   |   |      |     |   |   |   |   |      |   |   |      |   |   |      |     |   |   |   |   |   |   |   |      |   |   |      |     |   |   |   |   |   |   |   |      |   |      |      |     |   |   |   |   |   |   |   |   |   |      |      |     |   |   |   |   |   |   |   |   |   |   |      |     |   |   |   |   |   |   |   |   |   |   |      |     |   |   |   |   |   |   |   |   |   |   |      |
| 100  | -     | -       | 141,0 | 127,0  | -     | -           | - | -    | - | -    | 131,0       |      |  |  |  |  |  |  |  |  |  |  |      |     |  |  |  |  |  |  |  |  |  |  |             |                         |  |  |  |  |  |  |  |  |  |  |  |   |   |   |   |   |   |   |   |   |   |   |   |    |   |        |   |   |   |   |   |   |   |   |   |    |   |        |   |   |   |   |   |   |   |   |   |    |   |        |   |   |   |   |   |   |   |   |   |    |       |       |   |   |   |   |   |   |   |   |       |    |      |       |   |   |   |   |   |   |   |   |       |    |      |       |   |   |   |   |   |   |   |   |       |    |      |       |   |   |   |   |   |   |   |   |       |    |      |       |   |   |   |   |   |   |   |   |       |    |      |       |   |   |   |   |   |   |   |   |       |    |      |       |   |   |   |   |   |   |   |   |       |    |      |       |       |   |   |   |   |   |   |   |       |    |      |       |       |   |   |   |   |   |   |   |       |    |      |       |       |   |   |   |   |   |   |   |       |    |      |       |       |   |   |   |   |   |   |   |       |    |      |       |       |   |   |   |   |   |   |   |       |    |      |       |       |   |   |   |   |   |   |   |       |    |      |       |       |   |   |   |   |   |   |   |       |    |      |       |       |   |   |   |   |   |   |   |       |    |      |       |       |       |   |   |   |   |   |   |       |    |   |   |       |       |   |   |   |   |   |   |       |    |   |   |       |       |   |   |   |   |   |   |       |     |   |   |       |       |   |   |   |   |   |   |       |     |   |   |       |       |   |   |   |   |   |   |       |     |   |   |       |       |   |   |   |   |   |   |       |     |   |   |       |       |   |   |   |   |   |   |       |     |   |   |   |       |   |   |   |   |   |   |       |     |   |   |   |       |   |   |   |   |   |   |       |     |   |   |   |       |       |   |   |   |   |   |       |     |   |   |   |       |       |   |   |   |   |   |      |     |   |   |   |       |      |   |   |   |   |   |      |     |   |   |   |   |      |   |   |   |   |   |      |     |   |   |   |   |      |   |   |   |   |   |      |     |   |   |   |   |      |   |   |   |   |   |      |     |   |   |   |   |      |   |   |      |   |   |      |     |   |   |   |   |   |   |   |      |   |   |      |     |   |   |   |   |   |   |   |      |   |      |      |     |   |   |   |   |   |   |   |   |   |      |      |     |   |   |   |   |   |   |   |   |   |   |      |     |   |   |   |   |   |   |   |   |   |   |      |     |   |   |   |   |   |   |   |   |   |   |      |
| 102  | -     | -       | 136,0 | 127,0  | -     | -           | - | -    | - | -    | 130,0       |      |  |  |  |  |  |  |  |  |  |  |      |     |  |  |  |  |  |  |  |  |  |  |             |                         |  |  |  |  |  |  |  |  |  |  |  |   |   |   |   |   |   |   |   |   |   |   |   |    |   |        |   |   |   |   |   |   |   |   |   |    |   |        |   |   |   |   |   |   |   |   |   |    |   |        |   |   |   |   |   |   |   |   |   |    |       |       |   |   |   |   |   |   |   |   |       |    |      |       |   |   |   |   |   |   |   |   |       |    |      |       |   |   |   |   |   |   |   |   |       |    |      |       |   |   |   |   |   |   |   |   |       |    |      |       |   |   |   |   |   |   |   |   |       |    |      |       |   |   |   |   |   |   |   |   |       |    |      |       |   |   |   |   |   |   |   |   |       |    |      |       |       |   |   |   |   |   |   |   |       |    |      |       |       |   |   |   |   |   |   |   |       |    |      |       |       |   |   |   |   |   |   |   |       |    |      |       |       |   |   |   |   |   |   |   |       |    |      |       |       |   |   |   |   |   |   |   |       |    |      |       |       |   |   |   |   |   |   |   |       |    |      |       |       |   |   |   |   |   |   |   |       |    |      |       |       |   |   |   |   |   |   |   |       |    |      |       |       |       |   |   |   |   |   |   |       |    |   |   |       |       |   |   |   |   |   |   |       |    |   |   |       |       |   |   |   |   |   |   |       |     |   |   |       |       |   |   |   |   |   |   |       |     |   |   |       |       |   |   |   |   |   |   |       |     |   |   |       |       |   |   |   |   |   |   |       |     |   |   |       |       |   |   |   |   |   |   |       |     |   |   |   |       |   |   |   |   |   |   |       |     |   |   |   |       |   |   |   |   |   |   |       |     |   |   |   |       |       |   |   |   |   |   |       |     |   |   |   |       |       |   |   |   |   |   |      |     |   |   |   |       |      |   |   |   |   |   |      |     |   |   |   |   |      |   |   |   |   |   |      |     |   |   |   |   |      |   |   |   |   |   |      |     |   |   |   |   |      |   |   |   |   |   |      |     |   |   |   |   |      |   |   |      |   |   |      |     |   |   |   |   |   |   |   |      |   |   |      |     |   |   |   |   |   |   |   |      |   |      |      |     |   |   |   |   |   |   |   |   |   |      |      |     |   |   |   |   |   |   |   |   |   |   |      |     |   |   |   |   |   |   |   |   |   |   |      |     |   |   |   |   |   |   |   |   |   |   |      |
| 106  | -     | -       | 125,0 | 126,0  | -     | -           | - | -    | - | -    | 120,0       |      |  |  |  |  |  |  |  |  |  |  |      |     |  |  |  |  |  |  |  |  |  |  |             |                         |  |  |  |  |  |  |  |  |  |  |  |   |   |   |   |   |   |   |   |   |   |   |   |    |   |        |   |   |   |   |   |   |   |   |   |    |   |        |   |   |   |   |   |   |   |   |   |    |   |        |   |   |   |   |   |   |   |   |   |    |       |       |   |   |   |   |   |   |   |   |       |    |      |       |   |   |   |   |   |   |   |   |       |    |      |       |   |   |   |   |   |   |   |   |       |    |      |       |   |   |   |   |   |   |   |   |       |    |      |       |   |   |   |   |   |   |   |   |       |    |      |       |   |   |   |   |   |   |   |   |       |    |      |       |   |   |   |   |   |   |   |   |       |    |      |       |       |   |   |   |   |   |   |   |       |    |      |       |       |   |   |   |   |   |   |   |       |    |      |       |       |   |   |   |   |   |   |   |       |    |      |       |       |   |   |   |   |   |   |   |       |    |      |       |       |   |   |   |   |   |   |   |       |    |      |       |       |   |   |   |   |   |   |   |       |    |      |       |       |   |   |   |   |   |   |   |       |    |      |       |       |   |   |   |   |   |   |   |       |    |      |       |       |       |   |   |   |   |   |   |       |    |   |   |       |       |   |   |   |   |   |   |       |    |   |   |       |       |   |   |   |   |   |   |       |     |   |   |       |       |   |   |   |   |   |   |       |     |   |   |       |       |   |   |   |   |   |   |       |     |   |   |       |       |   |   |   |   |   |   |       |     |   |   |       |       |   |   |   |   |   |   |       |     |   |   |   |       |   |   |   |   |   |   |       |     |   |   |   |       |   |   |   |   |   |   |       |     |   |   |   |       |       |   |   |   |   |   |       |     |   |   |   |       |       |   |   |   |   |   |      |     |   |   |   |       |      |   |   |   |   |   |      |     |   |   |   |   |      |   |   |   |   |   |      |     |   |   |   |   |      |   |   |   |   |   |      |     |   |   |   |   |      |   |   |   |   |   |      |     |   |   |   |   |      |   |   |      |   |   |      |     |   |   |   |   |   |   |   |      |   |   |      |     |   |   |   |   |   |   |   |      |   |      |      |     |   |   |   |   |   |   |   |   |   |      |      |     |   |   |   |   |   |   |   |   |   |   |      |     |   |   |   |   |   |   |   |   |   |   |      |     |   |   |   |   |   |   |   |   |   |   |      |
| 108  | -     | -       | 117,0 | 123,0  | -     | -           | - | -    | - | -    | 115,0       |      |  |  |  |  |  |  |  |  |  |  |      |     |  |  |  |  |  |  |  |  |  |  |             |                         |  |  |  |  |  |  |  |  |  |  |  |   |   |   |   |   |   |   |   |   |   |   |   |    |   |        |   |   |   |   |   |   |   |   |   |    |   |        |   |   |   |   |   |   |   |   |   |    |   |        |   |   |   |   |   |   |   |   |   |    |       |       |   |   |   |   |   |   |   |   |       |    |      |       |   |   |   |   |   |   |   |   |       |    |      |       |   |   |   |   |   |   |   |   |       |    |      |       |   |   |   |   |   |   |   |   |       |    |      |       |   |   |   |   |   |   |   |   |       |    |      |       |   |   |   |   |   |   |   |   |       |    |      |       |   |   |   |   |   |   |   |   |       |    |      |       |       |   |   |   |   |   |   |   |       |    |      |       |       |   |   |   |   |   |   |   |       |    |      |       |       |   |   |   |   |   |   |   |       |    |      |       |       |   |   |   |   |   |   |   |       |    |      |       |       |   |   |   |   |   |   |   |       |    |      |       |       |   |   |   |   |   |   |   |       |    |      |       |       |   |   |   |   |   |   |   |       |    |      |       |       |   |   |   |   |   |   |   |       |    |      |       |       |       |   |   |   |   |   |   |       |    |   |   |       |       |   |   |   |   |   |   |       |    |   |   |       |       |   |   |   |   |   |   |       |     |   |   |       |       |   |   |   |   |   |   |       |     |   |   |       |       |   |   |   |   |   |   |       |     |   |   |       |       |   |   |   |   |   |   |       |     |   |   |       |       |   |   |   |   |   |   |       |     |   |   |   |       |   |   |   |   |   |   |       |     |   |   |   |       |   |   |   |   |   |   |       |     |   |   |   |       |       |   |   |   |   |   |       |     |   |   |   |       |       |   |   |   |   |   |      |     |   |   |   |       |      |   |   |   |   |   |      |     |   |   |   |   |      |   |   |   |   |   |      |     |   |   |   |   |      |   |   |   |   |   |      |     |   |   |   |   |      |   |   |   |   |   |      |     |   |   |   |   |      |   |   |      |   |   |      |     |   |   |   |   |   |   |   |      |   |   |      |     |   |   |   |   |   |   |   |      |   |      |      |     |   |   |   |   |   |   |   |   |   |      |      |     |   |   |   |   |   |   |   |   |   |   |      |     |   |   |   |   |   |   |   |   |   |   |      |     |   |   |   |   |   |   |   |   |   |   |      |
| 110  | -     | -       | -     | 120,0  | -     | -           | - | -    | - | -    | 110,0       |      |  |  |  |  |  |  |  |  |  |  |      |     |  |  |  |  |  |  |  |  |  |  |             |                         |  |  |  |  |  |  |  |  |  |  |  |   |   |   |   |   |   |   |   |   |   |   |   |    |   |        |   |   |   |   |   |   |   |   |   |    |   |        |   |   |   |   |   |   |   |   |   |    |   |        |   |   |   |   |   |   |   |   |   |    |       |       |   |   |   |   |   |   |   |   |       |    |      |       |   |   |   |   |   |   |   |   |       |    |      |       |   |   |   |   |   |   |   |   |       |    |      |       |   |   |   |   |   |   |   |   |       |    |      |       |   |   |   |   |   |   |   |   |       |    |      |       |   |   |   |   |   |   |   |   |       |    |      |       |   |   |   |   |   |   |   |   |       |    |      |       |       |   |   |   |   |   |   |   |       |    |      |       |       |   |   |   |   |   |   |   |       |    |      |       |       |   |   |   |   |   |   |   |       |    |      |       |       |   |   |   |   |   |   |   |       |    |      |       |       |   |   |   |   |   |   |   |       |    |      |       |       |   |   |   |   |   |   |   |       |    |      |       |       |   |   |   |   |   |   |   |       |    |      |       |       |   |   |   |   |   |   |   |       |    |      |       |       |       |   |   |   |   |   |   |       |    |   |   |       |       |   |   |   |   |   |   |       |    |   |   |       |       |   |   |   |   |   |   |       |     |   |   |       |       |   |   |   |   |   |   |       |     |   |   |       |       |   |   |   |   |   |   |       |     |   |   |       |       |   |   |   |   |   |   |       |     |   |   |       |       |   |   |   |   |   |   |       |     |   |   |   |       |   |   |   |   |   |   |       |     |   |   |   |       |   |   |   |   |   |   |       |     |   |   |   |       |       |   |   |   |   |   |       |     |   |   |   |       |       |   |   |   |   |   |      |     |   |   |   |       |      |   |   |   |   |   |      |     |   |   |   |   |      |   |   |   |   |   |      |     |   |   |   |   |      |   |   |   |   |   |      |     |   |   |   |   |      |   |   |   |   |   |      |     |   |   |   |   |      |   |   |      |   |   |      |     |   |   |   |   |   |   |   |      |   |   |      |     |   |   |   |   |   |   |   |      |   |      |      |     |   |   |   |   |   |   |   |   |   |      |      |     |   |   |   |   |   |   |   |   |   |   |      |     |   |   |   |   |   |   |   |   |   |   |      |     |   |   |   |   |   |   |   |   |   |   |      |
| 114  | -     | -       | -     | 114,0  | -     | -           | - | -    | - | -    | 102,0       |      |  |  |  |  |  |  |  |  |  |  |      |     |  |  |  |  |  |  |  |  |  |  |             |                         |  |  |  |  |  |  |  |  |  |  |  |   |   |   |   |   |   |   |   |   |   |   |   |    |   |        |   |   |   |   |   |   |   |   |   |    |   |        |   |   |   |   |   |   |   |   |   |    |   |        |   |   |   |   |   |   |   |   |   |    |       |       |   |   |   |   |   |   |   |   |       |    |      |       |   |   |   |   |   |   |   |   |       |    |      |       |   |   |   |   |   |   |   |   |       |    |      |       |   |   |   |   |   |   |   |   |       |    |      |       |   |   |   |   |   |   |   |   |       |    |      |       |   |   |   |   |   |   |   |   |       |    |      |       |   |   |   |   |   |   |   |   |       |    |      |       |       |   |   |   |   |   |   |   |       |    |      |       |       |   |   |   |   |   |   |   |       |    |      |       |       |   |   |   |   |   |   |   |       |    |      |       |       |   |   |   |   |   |   |   |       |    |      |       |       |   |   |   |   |   |   |   |       |    |      |       |       |   |   |   |   |   |   |   |       |    |      |       |       |   |   |   |   |   |   |   |       |    |      |       |       |   |   |   |   |   |   |   |       |    |      |       |       |       |   |   |   |   |   |   |       |    |   |   |       |       |   |   |   |   |   |   |       |    |   |   |       |       |   |   |   |   |   |   |       |     |   |   |       |       |   |   |   |   |   |   |       |     |   |   |       |       |   |   |   |   |   |   |       |     |   |   |       |       |   |   |   |   |   |   |       |     |   |   |       |       |   |   |   |   |   |   |       |     |   |   |   |       |   |   |   |   |   |   |       |     |   |   |   |       |   |   |   |   |   |   |       |     |   |   |   |       |       |   |   |   |   |   |       |     |   |   |   |       |       |   |   |   |   |   |      |     |   |   |   |       |      |   |   |   |   |   |      |     |   |   |   |   |      |   |   |   |   |   |      |     |   |   |   |   |      |   |   |   |   |   |      |     |   |   |   |   |      |   |   |   |   |   |      |     |   |   |   |   |      |   |   |      |   |   |      |     |   |   |   |   |   |   |   |      |   |   |      |     |   |   |   |   |   |   |   |      |   |      |      |     |   |   |   |   |   |   |   |   |   |      |      |     |   |   |   |   |   |   |   |   |   |   |      |     |   |   |   |   |   |   |   |   |   |   |      |     |   |   |   |   |   |   |   |   |   |   |      |
| 118  | -     | -       | -     | 109,0  | -     | -           | - | -    | - | -    | 93,5        |      |  |  |  |  |  |  |  |  |  |  |      |     |  |  |  |  |  |  |  |  |  |  |             |                         |  |  |  |  |  |  |  |  |  |  |  |   |   |   |   |   |   |   |   |   |   |   |   |    |   |        |   |   |   |   |   |   |   |   |   |    |   |        |   |   |   |   |   |   |   |   |   |    |   |        |   |   |   |   |   |   |   |   |   |    |       |       |   |   |   |   |   |   |   |   |       |    |      |       |   |   |   |   |   |   |   |   |       |    |      |       |   |   |   |   |   |   |   |   |       |    |      |       |   |   |   |   |   |   |   |   |       |    |      |       |   |   |   |   |   |   |   |   |       |    |      |       |   |   |   |   |   |   |   |   |       |    |      |       |   |   |   |   |   |   |   |   |       |    |      |       |       |   |   |   |   |   |   |   |       |    |      |       |       |   |   |   |   |   |   |   |       |    |      |       |       |   |   |   |   |   |   |   |       |    |      |       |       |   |   |   |   |   |   |   |       |    |      |       |       |   |   |   |   |   |   |   |       |    |      |       |       |   |   |   |   |   |   |   |       |    |      |       |       |   |   |   |   |   |   |   |       |    |      |       |       |   |   |   |   |   |   |   |       |    |      |       |       |       |   |   |   |   |   |   |       |    |   |   |       |       |   |   |   |   |   |   |       |    |   |   |       |       |   |   |   |   |   |   |       |     |   |   |       |       |   |   |   |   |   |   |       |     |   |   |       |       |   |   |   |   |   |   |       |     |   |   |       |       |   |   |   |   |   |   |       |     |   |   |       |       |   |   |   |   |   |   |       |     |   |   |   |       |   |   |   |   |   |   |       |     |   |   |   |       |   |   |   |   |   |   |       |     |   |   |   |       |       |   |   |   |   |   |       |     |   |   |   |       |       |   |   |   |   |   |      |     |   |   |   |       |      |   |   |   |   |   |      |     |   |   |   |   |      |   |   |   |   |   |      |     |   |   |   |   |      |   |   |   |   |   |      |     |   |   |   |   |      |   |   |   |   |   |      |     |   |   |   |   |      |   |   |      |   |   |      |     |   |   |   |   |   |   |   |      |   |   |      |     |   |   |   |   |   |   |   |      |   |      |      |     |   |   |   |   |   |   |   |   |   |      |      |     |   |   |   |   |   |   |   |   |   |   |      |     |   |   |   |   |   |   |   |   |   |   |      |     |   |   |   |   |   |   |   |   |   |   |      |
| 122  | -     | -       | -     | 104,0  | -     | -           | - | -    | - | -    | 86,0        |      |  |  |  |  |  |  |  |  |  |  |      |     |  |  |  |  |  |  |  |  |  |  |             |                         |  |  |  |  |  |  |  |  |  |  |  |   |   |   |   |   |   |   |   |   |   |   |   |    |   |        |   |   |   |   |   |   |   |   |   |    |   |        |   |   |   |   |   |   |   |   |   |    |   |        |   |   |   |   |   |   |   |   |   |    |       |       |   |   |   |   |   |   |   |   |       |    |      |       |   |   |   |   |   |   |   |   |       |    |      |       |   |   |   |   |   |   |   |   |       |    |      |       |   |   |   |   |   |   |   |   |       |    |      |       |   |   |   |   |   |   |   |   |       |    |      |       |   |   |   |   |   |   |   |   |       |    |      |       |   |   |   |   |   |   |   |   |       |    |      |       |       |   |   |   |   |   |   |   |       |    |      |       |       |   |   |   |   |   |   |   |       |    |      |       |       |   |   |   |   |   |   |   |       |    |      |       |       |   |   |   |   |   |   |   |       |    |      |       |       |   |   |   |   |   |   |   |       |    |      |       |       |   |   |   |   |   |   |   |       |    |      |       |       |   |   |   |   |   |   |   |       |    |      |       |       |   |   |   |   |   |   |   |       |    |      |       |       |       |   |   |   |   |   |   |       |    |   |   |       |       |   |   |   |   |   |   |       |    |   |   |       |       |   |   |   |   |   |   |       |     |   |   |       |       |   |   |   |   |   |   |       |     |   |   |       |       |   |   |   |   |   |   |       |     |   |   |       |       |   |   |   |   |   |   |       |     |   |   |       |       |   |   |   |   |   |   |       |     |   |   |   |       |   |   |   |   |   |   |       |     |   |   |   |       |   |   |   |   |   |   |       |     |   |   |   |       |       |   |   |   |   |   |       |     |   |   |   |       |       |   |   |   |   |   |      |     |   |   |   |       |      |   |   |   |   |   |      |     |   |   |   |   |      |   |   |   |   |   |      |     |   |   |   |   |      |   |   |   |   |   |      |     |   |   |   |   |      |   |   |   |   |   |      |     |   |   |   |   |      |   |   |      |   |   |      |     |   |   |   |   |   |   |   |      |   |   |      |     |   |   |   |   |   |   |   |      |   |      |      |     |   |   |   |   |   |   |   |   |   |      |      |     |   |   |   |   |   |   |   |   |   |   |      |     |   |   |   |   |   |   |   |   |   |   |      |     |   |   |   |   |   |   |   |   |   |   |      |
| 124  | -     | -       | -     | 101,0  | -     | -           | - | -    | - | -    | 82,5        |      |  |  |  |  |  |  |  |  |  |  |      |     |  |  |  |  |  |  |  |  |  |  |             |                         |  |  |  |  |  |  |  |  |  |  |  |   |   |   |   |   |   |   |   |   |   |   |   |    |   |        |   |   |   |   |   |   |   |   |   |    |   |        |   |   |   |   |   |   |   |   |   |    |   |        |   |   |   |   |   |   |   |   |   |    |       |       |   |   |   |   |   |   |   |   |       |    |      |       |   |   |   |   |   |   |   |   |       |    |      |       |   |   |   |   |   |   |   |   |       |    |      |       |   |   |   |   |   |   |   |   |       |    |      |       |   |   |   |   |   |   |   |   |       |    |      |       |   |   |   |   |   |   |   |   |       |    |      |       |   |   |   |   |   |   |   |   |       |    |      |       |       |   |   |   |   |   |   |   |       |    |      |       |       |   |   |   |   |   |   |   |       |    |      |       |       |   |   |   |   |   |   |   |       |    |      |       |       |   |   |   |   |   |   |   |       |    |      |       |       |   |   |   |   |   |   |   |       |    |      |       |       |   |   |   |   |   |   |   |       |    |      |       |       |   |   |   |   |   |   |   |       |    |      |       |       |   |   |   |   |   |   |   |       |    |      |       |       |       |   |   |   |   |   |   |       |    |   |   |       |       |   |   |   |   |   |   |       |    |   |   |       |       |   |   |   |   |   |   |       |     |   |   |       |       |   |   |   |   |   |   |       |     |   |   |       |       |   |   |   |   |   |   |       |     |   |   |       |       |   |   |   |   |   |   |       |     |   |   |       |       |   |   |   |   |   |   |       |     |   |   |   |       |   |   |   |   |   |   |       |     |   |   |   |       |   |   |   |   |   |   |       |     |   |   |   |       |       |   |   |   |   |   |       |     |   |   |   |       |       |   |   |   |   |   |      |     |   |   |   |       |      |   |   |   |   |   |      |     |   |   |   |   |      |   |   |   |   |   |      |     |   |   |   |   |      |   |   |   |   |   |      |     |   |   |   |   |      |   |   |   |   |   |      |     |   |   |   |   |      |   |   |      |   |   |      |     |   |   |   |   |   |   |   |      |   |   |      |     |   |   |   |   |   |   |   |      |   |      |      |     |   |   |   |   |   |   |   |   |   |      |      |     |   |   |   |   |   |   |   |   |   |   |      |     |   |   |   |   |   |   |   |   |   |   |      |     |   |   |   |   |   |   |   |   |   |   |      |
| 126  | -     | -       | -     | -      | 81,0  | -           | - | -    | - | -    | 79,0        |      |  |  |  |  |  |  |  |  |  |  |      |     |  |  |  |  |  |  |  |  |  |  |             |                         |  |  |  |  |  |  |  |  |  |  |  |   |   |   |   |   |   |   |   |   |   |   |   |    |   |        |   |   |   |   |   |   |   |   |   |    |   |        |   |   |   |   |   |   |   |   |   |    |   |        |   |   |   |   |   |   |   |   |   |    |       |       |   |   |   |   |   |   |   |   |       |    |      |       |   |   |   |   |   |   |   |   |       |    |      |       |   |   |   |   |   |   |   |   |       |    |      |       |   |   |   |   |   |   |   |   |       |    |      |       |   |   |   |   |   |   |   |   |       |    |      |       |   |   |   |   |   |   |   |   |       |    |      |       |   |   |   |   |   |   |   |   |       |    |      |       |       |   |   |   |   |   |   |   |       |    |      |       |       |   |   |   |   |   |   |   |       |    |      |       |       |   |   |   |   |   |   |   |       |    |      |       |       |   |   |   |   |   |   |   |       |    |      |       |       |   |   |   |   |   |   |   |       |    |      |       |       |   |   |   |   |   |   |   |       |    |      |       |       |   |   |   |   |   |   |   |       |    |      |       |       |   |   |   |   |   |   |   |       |    |      |       |       |       |   |   |   |   |   |   |       |    |   |   |       |       |   |   |   |   |   |   |       |    |   |   |       |       |   |   |   |   |   |   |       |     |   |   |       |       |   |   |   |   |   |   |       |     |   |   |       |       |   |   |   |   |   |   |       |     |   |   |       |       |   |   |   |   |   |   |       |     |   |   |       |       |   |   |   |   |   |   |       |     |   |   |   |       |   |   |   |   |   |   |       |     |   |   |   |       |   |   |   |   |   |   |       |     |   |   |   |       |       |   |   |   |   |   |       |     |   |   |   |       |       |   |   |   |   |   |      |     |   |   |   |       |      |   |   |   |   |   |      |     |   |   |   |   |      |   |   |   |   |   |      |     |   |   |   |   |      |   |   |   |   |   |      |     |   |   |   |   |      |   |   |   |   |   |      |     |   |   |   |   |      |   |   |      |   |   |      |     |   |   |   |   |   |   |   |      |   |   |      |     |   |   |   |   |   |   |   |      |   |      |      |     |   |   |   |   |   |   |   |   |   |      |      |     |   |   |   |   |   |   |   |   |   |   |      |     |   |   |   |   |   |   |   |   |   |   |      |     |   |   |   |   |   |   |   |   |   |   |      |
| 130  | -     | -       | -     | -      | 77,0  | -           | - | -    | - | -    | 72,0        |      |  |  |  |  |  |  |  |  |  |  |      |     |  |  |  |  |  |  |  |  |  |  |             |                         |  |  |  |  |  |  |  |  |  |  |  |   |   |   |   |   |   |   |   |   |   |   |   |    |   |        |   |   |   |   |   |   |   |   |   |    |   |        |   |   |   |   |   |   |   |   |   |    |   |        |   |   |   |   |   |   |   |   |   |    |       |       |   |   |   |   |   |   |   |   |       |    |      |       |   |   |   |   |   |   |   |   |       |    |      |       |   |   |   |   |   |   |   |   |       |    |      |       |   |   |   |   |   |   |   |   |       |    |      |       |   |   |   |   |   |   |   |   |       |    |      |       |   |   |   |   |   |   |   |   |       |    |      |       |   |   |   |   |   |   |   |   |       |    |      |       |       |   |   |   |   |   |   |   |       |    |      |       |       |   |   |   |   |   |   |   |       |    |      |       |       |   |   |   |   |   |   |   |       |    |      |       |       |   |   |   |   |   |   |   |       |    |      |       |       |   |   |   |   |   |   |   |       |    |      |       |       |   |   |   |   |   |   |   |       |    |      |       |       |   |   |   |   |   |   |   |       |    |      |       |       |   |   |   |   |   |   |   |       |    |      |       |       |       |   |   |   |   |   |   |       |    |   |   |       |       |   |   |   |   |   |   |       |    |   |   |       |       |   |   |   |   |   |   |       |     |   |   |       |       |   |   |   |   |   |   |       |     |   |   |       |       |   |   |   |   |   |   |       |     |   |   |       |       |   |   |   |   |   |   |       |     |   |   |       |       |   |   |   |   |   |   |       |     |   |   |   |       |   |   |   |   |   |   |       |     |   |   |   |       |   |   |   |   |   |   |       |     |   |   |   |       |       |   |   |   |   |   |       |     |   |   |   |       |       |   |   |   |   |   |      |     |   |   |   |       |      |   |   |   |   |   |      |     |   |   |   |   |      |   |   |   |   |   |      |     |   |   |   |   |      |   |   |   |   |   |      |     |   |   |   |   |      |   |   |   |   |   |      |     |   |   |   |   |      |   |   |      |   |   |      |     |   |   |   |   |   |   |   |      |   |   |      |     |   |   |   |   |   |   |   |      |   |      |      |     |   |   |   |   |   |   |   |   |   |      |      |     |   |   |   |   |   |   |   |   |   |   |      |     |   |   |   |   |   |   |   |   |   |   |      |     |   |   |   |   |   |   |   |   |   |   |      |
| 134  | -     | -       | -     | -      | 73,5  | -           | - | -    | - | -    | 65,5        |      |  |  |  |  |  |  |  |  |  |  |      |     |  |  |  |  |  |  |  |  |  |  |             |                         |  |  |  |  |  |  |  |  |  |  |  |   |   |   |   |   |   |   |   |   |   |   |   |    |   |        |   |   |   |   |   |   |   |   |   |    |   |        |   |   |   |   |   |   |   |   |   |    |   |        |   |   |   |   |   |   |   |   |   |    |       |       |   |   |   |   |   |   |   |   |       |    |      |       |   |   |   |   |   |   |   |   |       |    |      |       |   |   |   |   |   |   |   |   |       |    |      |       |   |   |   |   |   |   |   |   |       |    |      |       |   |   |   |   |   |   |   |   |       |    |      |       |   |   |   |   |   |   |   |   |       |    |      |       |   |   |   |   |   |   |   |   |       |    |      |       |       |   |   |   |   |   |   |   |       |    |      |       |       |   |   |   |   |   |   |   |       |    |      |       |       |   |   |   |   |   |   |   |       |    |      |       |       |   |   |   |   |   |   |   |       |    |      |       |       |   |   |   |   |   |   |   |       |    |      |       |       |   |   |   |   |   |   |   |       |    |      |       |       |   |   |   |   |   |   |   |       |    |      |       |       |   |   |   |   |   |   |   |       |    |      |       |       |       |   |   |   |   |   |   |       |    |   |   |       |       |   |   |   |   |   |   |       |    |   |   |       |       |   |   |   |   |   |   |       |     |   |   |       |       |   |   |   |   |   |   |       |     |   |   |       |       |   |   |   |   |   |   |       |     |   |   |       |       |   |   |   |   |   |   |       |     |   |   |       |       |   |   |   |   |   |   |       |     |   |   |   |       |   |   |   |   |   |   |       |     |   |   |   |       |   |   |   |   |   |   |       |     |   |   |   |       |       |   |   |   |   |   |       |     |   |   |   |       |       |   |   |   |   |   |      |     |   |   |   |       |      |   |   |   |   |   |      |     |   |   |   |   |      |   |   |   |   |   |      |     |   |   |   |   |      |   |   |   |   |   |      |     |   |   |   |   |      |   |   |   |   |   |      |     |   |   |   |   |      |   |   |      |   |   |      |     |   |   |   |   |   |   |   |      |   |   |      |     |   |   |   |   |   |   |   |      |   |      |      |     |   |   |   |   |   |   |   |   |   |      |      |     |   |   |   |   |   |   |   |   |   |   |      |     |   |   |   |   |   |   |   |   |   |   |      |     |   |   |   |   |   |   |   |   |   |   |      |
| 138  | -     | -       | -     | -      | 70,5  | -           | - | -    | - | -    | 57,0        |      |  |  |  |  |  |  |  |  |  |  |      |     |  |  |  |  |  |  |  |  |  |  |             |                         |  |  |  |  |  |  |  |  |  |  |  |   |   |   |   |   |   |   |   |   |   |   |   |    |   |        |   |   |   |   |   |   |   |   |   |    |   |        |   |   |   |   |   |   |   |   |   |    |   |        |   |   |   |   |   |   |   |   |   |    |       |       |   |   |   |   |   |   |   |   |       |    |      |       |   |   |   |   |   |   |   |   |       |    |      |       |   |   |   |   |   |   |   |   |       |    |      |       |   |   |   |   |   |   |   |   |       |    |      |       |   |   |   |   |   |   |   |   |       |    |      |       |   |   |   |   |   |   |   |   |       |    |      |       |   |   |   |   |   |   |   |   |       |    |      |       |       |   |   |   |   |   |   |   |       |    |      |       |       |   |   |   |   |   |   |   |       |    |      |       |       |   |   |   |   |   |   |   |       |    |      |       |       |   |   |   |   |   |   |   |       |    |      |       |       |   |   |   |   |   |   |   |       |    |      |       |       |   |   |   |   |   |   |   |       |    |      |       |       |   |   |   |   |   |   |   |       |    |      |       |       |   |   |   |   |   |   |   |       |    |      |       |       |       |   |   |   |   |   |   |       |    |   |   |       |       |   |   |   |   |   |   |       |    |   |   |       |       |   |   |   |   |   |   |       |     |   |   |       |       |   |   |   |   |   |   |       |     |   |   |       |       |   |   |   |   |   |   |       |     |   |   |       |       |   |   |   |   |   |   |       |     |   |   |       |       |   |   |   |   |   |   |       |     |   |   |   |       |   |   |   |   |   |   |       |     |   |   |   |       |   |   |   |   |   |   |       |     |   |   |   |       |       |   |   |   |   |   |       |     |   |   |   |       |       |   |   |   |   |   |      |     |   |   |   |       |      |   |   |   |   |   |      |     |   |   |   |   |      |   |   |   |   |   |      |     |   |   |   |   |      |   |   |   |   |   |      |     |   |   |   |   |      |   |   |   |   |   |      |     |   |   |   |   |      |   |   |      |   |   |      |     |   |   |   |   |   |   |   |      |   |   |      |     |   |   |   |   |   |   |   |      |   |      |      |     |   |   |   |   |   |   |   |   |   |      |      |     |   |   |   |   |   |   |   |   |   |   |      |     |   |   |   |   |   |   |   |   |   |   |      |     |   |   |   |   |   |   |   |   |   |   |      |
| 142  | -     | -       | -     | -      | -     | -           | - | -    | - | -    | 49,2        |      |  |  |  |  |  |  |  |  |  |  |      |     |  |  |  |  |  |  |  |  |  |  |             |                         |  |  |  |  |  |  |  |  |  |  |  |   |   |   |   |   |   |   |   |   |   |   |   |    |   |        |   |   |   |   |   |   |   |   |   |    |   |        |   |   |   |   |   |   |   |   |   |    |   |        |   |   |   |   |   |   |   |   |   |    |       |       |   |   |   |   |   |   |   |   |       |    |      |       |   |   |   |   |   |   |   |   |       |    |      |       |   |   |   |   |   |   |   |   |       |    |      |       |   |   |   |   |   |   |   |   |       |    |      |       |   |   |   |   |   |   |   |   |       |    |      |       |   |   |   |   |   |   |   |   |       |    |      |       |   |   |   |   |   |   |   |   |       |    |      |       |       |   |   |   |   |   |   |   |       |    |      |       |       |   |   |   |   |   |   |   |       |    |      |       |       |   |   |   |   |   |   |   |       |    |      |       |       |   |   |   |   |   |   |   |       |    |      |       |       |   |   |   |   |   |   |   |       |    |      |       |       |   |   |   |   |   |   |   |       |    |      |       |       |   |   |   |   |   |   |   |       |    |      |       |       |   |   |   |   |   |   |   |       |    |      |       |       |       |   |   |   |   |   |   |       |    |   |   |       |       |   |   |   |   |   |   |       |    |   |   |       |       |   |   |   |   |   |   |       |     |   |   |       |       |   |   |   |   |   |   |       |     |   |   |       |       |   |   |   |   |   |   |       |     |   |   |       |       |   |   |   |   |   |   |       |     |   |   |       |       |   |   |   |   |   |   |       |     |   |   |   |       |   |   |   |   |   |   |       |     |   |   |   |       |   |   |   |   |   |   |       |     |   |   |   |       |       |   |   |   |   |   |       |     |   |   |   |       |       |   |   |   |   |   |      |     |   |   |   |       |      |   |   |   |   |   |      |     |   |   |   |   |      |   |   |   |   |   |      |     |   |   |   |   |      |   |   |   |   |   |      |     |   |   |   |   |      |   |   |   |   |   |      |     |   |   |   |   |      |   |   |      |   |   |      |     |   |   |   |   |   |   |   |      |   |   |      |     |   |   |   |   |   |   |   |      |   |      |      |     |   |   |   |   |   |   |   |   |   |      |      |     |   |   |   |   |   |   |   |   |   |   |      |     |   |   |   |   |   |   |   |   |   |   |      |     |   |   |   |   |   |   |   |   |   |   |      |
| 146  | -     | -       | -     | -      | -     | -           | - | -    | - | 43,7 | 41,3        |      |  |  |  |  |  |  |  |  |  |  |      |     |  |  |  |  |  |  |  |  |  |  |             |                         |  |  |  |  |  |  |  |  |  |  |  |   |   |   |   |   |   |   |   |   |   |   |   |    |   |        |   |   |   |   |   |   |   |   |   |    |   |        |   |   |   |   |   |   |   |   |   |    |   |        |   |   |   |   |   |   |   |   |   |    |       |       |   |   |   |   |   |   |   |   |       |    |      |       |   |   |   |   |   |   |   |   |       |    |      |       |   |   |   |   |   |   |   |   |       |    |      |       |   |   |   |   |   |   |   |   |       |    |      |       |   |   |   |   |   |   |   |   |       |    |      |       |   |   |   |   |   |   |   |   |       |    |      |       |   |   |   |   |   |   |   |   |       |    |      |       |       |   |   |   |   |   |   |   |       |    |      |       |       |   |   |   |   |   |   |   |       |    |      |       |       |   |   |   |   |   |   |   |       |    |      |       |       |   |   |   |   |   |   |   |       |    |      |       |       |   |   |   |   |   |   |   |       |    |      |       |       |   |   |   |   |   |   |   |       |    |      |       |       |   |   |   |   |   |   |   |       |    |      |       |       |   |   |   |   |   |   |   |       |    |      |       |       |       |   |   |   |   |   |   |       |    |   |   |       |       |   |   |   |   |   |   |       |    |   |   |       |       |   |   |   |   |   |   |       |     |   |   |       |       |   |   |   |   |   |   |       |     |   |   |       |       |   |   |   |   |   |   |       |     |   |   |       |       |   |   |   |   |   |   |       |     |   |   |       |       |   |   |   |   |   |   |       |     |   |   |   |       |   |   |   |   |   |   |       |     |   |   |   |       |   |   |   |   |   |   |       |     |   |   |   |       |       |   |   |   |   |   |       |     |   |   |   |       |       |   |   |   |   |   |      |     |   |   |   |       |      |   |   |   |   |   |      |     |   |   |   |   |      |   |   |   |   |   |      |     |   |   |   |   |      |   |   |   |   |   |      |     |   |   |   |   |      |   |   |   |   |   |      |     |   |   |   |   |      |   |   |      |   |   |      |     |   |   |   |   |   |   |   |      |   |   |      |     |   |   |   |   |   |   |   |      |   |      |      |     |   |   |   |   |   |   |   |   |   |      |      |     |   |   |   |   |   |   |   |   |   |   |      |     |   |   |   |   |   |   |   |   |   |   |      |     |   |   |   |   |   |   |   |   |   |   |      |
| 150  | -     | -       | -     | -      | -     | -           | - | -    | - | 41,0 | 33,6        |      |  |  |  |  |  |  |  |  |  |  |      |     |  |  |  |  |  |  |  |  |  |  |             |                         |  |  |  |  |  |  |  |  |  |  |  |   |   |   |   |   |   |   |   |   |   |   |   |    |   |        |   |   |   |   |   |   |   |   |   |    |   |        |   |   |   |   |   |   |   |   |   |    |   |        |   |   |   |   |   |   |   |   |   |    |       |       |   |   |   |   |   |   |   |   |       |    |      |       |   |   |   |   |   |   |   |   |       |    |      |       |   |   |   |   |   |   |   |   |       |    |      |       |   |   |   |   |   |   |   |   |       |    |      |       |   |   |   |   |   |   |   |   |       |    |      |       |   |   |   |   |   |   |   |   |       |    |      |       |   |   |   |   |   |   |   |   |       |    |      |       |       |   |   |   |   |   |   |   |       |    |      |       |       |   |   |   |   |   |   |   |       |    |      |       |       |   |   |   |   |   |   |   |       |    |      |       |       |   |   |   |   |   |   |   |       |    |      |       |       |   |   |   |   |   |   |   |       |    |      |       |       |   |   |   |   |   |   |   |       |    |      |       |       |   |   |   |   |   |   |   |       |    |      |       |       |   |   |   |   |   |   |   |       |    |      |       |       |       |   |   |   |   |   |   |       |    |   |   |       |       |   |   |   |   |   |   |       |    |   |   |       |       |   |   |   |   |   |   |       |     |   |   |       |       |   |   |   |   |   |   |       |     |   |   |       |       |   |   |   |   |   |   |       |     |   |   |       |       |   |   |   |   |   |   |       |     |   |   |       |       |   |   |   |   |   |   |       |     |   |   |   |       |   |   |   |   |   |   |       |     |   |   |   |       |   |   |   |   |   |   |       |     |   |   |   |       |       |   |   |   |   |   |       |     |   |   |   |       |       |   |   |   |   |   |      |     |   |   |   |       |      |   |   |   |   |   |      |     |   |   |   |   |      |   |   |   |   |   |      |     |   |   |   |   |      |   |   |   |   |   |      |     |   |   |   |   |      |   |   |   |   |   |      |     |   |   |   |   |      |   |   |      |   |   |      |     |   |   |   |   |   |   |   |      |   |   |      |     |   |   |   |   |   |   |   |      |   |      |      |     |   |   |   |   |   |   |   |   |   |      |      |     |   |   |   |   |   |   |   |   |   |   |      |     |   |   |   |   |   |   |   |   |   |   |      |     |   |   |   |   |   |   |   |   |   |   |      |
| 154  | -     | -       | -     | -      | -     | -           | - | -    | - | -    | 26,0        |      |  |  |  |  |  |  |  |  |  |  |      |     |  |  |  |  |  |  |  |  |  |  |             |                         |  |  |  |  |  |  |  |  |  |  |  |   |   |   |   |   |   |   |   |   |   |   |   |    |   |        |   |   |   |   |   |   |   |   |   |    |   |        |   |   |   |   |   |   |   |   |   |    |   |        |   |   |   |   |   |   |   |   |   |    |       |       |   |   |   |   |   |   |   |   |       |    |      |       |   |   |   |   |   |   |   |   |       |    |      |       |   |   |   |   |   |   |   |   |       |    |      |       |   |   |   |   |   |   |   |   |       |    |      |       |   |   |   |   |   |   |   |   |       |    |      |       |   |   |   |   |   |   |   |   |       |    |      |       |   |   |   |   |   |   |   |   |       |    |      |       |       |   |   |   |   |   |   |   |       |    |      |       |       |   |   |   |   |   |   |   |       |    |      |       |       |   |   |   |   |   |   |   |       |    |      |       |       |   |   |   |   |   |   |   |       |    |      |       |       |   |   |   |   |   |   |   |       |    |      |       |       |   |   |   |   |   |   |   |       |    |      |       |       |   |   |   |   |   |   |   |       |    |      |       |       |   |   |   |   |   |   |   |       |    |      |       |       |       |   |   |   |   |   |   |       |    |   |   |       |       |   |   |   |   |   |   |       |    |   |   |       |       |   |   |   |   |   |   |       |     |   |   |       |       |   |   |   |   |   |   |       |     |   |   |       |       |   |   |   |   |   |   |       |     |   |   |       |       |   |   |   |   |   |   |       |     |   |   |       |       |   |   |   |   |   |   |       |     |   |   |   |       |   |   |   |   |   |   |       |     |   |   |   |       |   |   |   |   |   |   |       |     |   |   |   |       |       |   |   |   |   |   |       |     |   |   |   |       |       |   |   |   |   |   |      |     |   |   |   |       |      |   |   |   |   |   |      |     |   |   |   |   |      |   |   |   |   |   |      |     |   |   |   |   |      |   |   |   |   |   |      |     |   |   |   |   |      |   |   |   |   |   |      |     |   |   |   |   |      |   |   |      |   |   |      |     |   |   |   |   |   |   |   |      |   |   |      |     |   |   |   |   |   |   |   |      |   |      |      |     |   |   |   |   |   |   |   |   |   |      |      |     |   |   |   |   |   |   |   |   |   |   |      |     |   |   |   |   |   |   |   |   |   |   |      |     |   |   |   |   |   |   |   |   |   |   |      |
| 158  | -     | -       | -     | -      | -     | -           | - | -    | - | -    | 19,1        |      |  |  |  |  |  |  |  |  |  |  |      |     |  |  |  |  |  |  |  |  |  |  |             |                         |  |  |  |  |  |  |  |  |  |  |  |   |   |   |   |   |   |   |   |   |   |   |   |    |   |        |   |   |   |   |   |   |   |   |   |    |   |        |   |   |   |   |   |   |   |   |   |    |   |        |   |   |   |   |   |   |   |   |   |    |       |       |   |   |   |   |   |   |   |   |       |    |      |       |   |   |   |   |   |   |   |   |       |    |      |       |   |   |   |   |   |   |   |   |       |    |      |       |   |   |   |   |   |   |   |   |       |    |      |       |   |   |   |   |   |   |   |   |       |    |      |       |   |   |   |   |   |   |   |   |       |    |      |       |   |   |   |   |   |   |   |   |       |    |      |       |       |   |   |   |   |   |   |   |       |    |      |       |       |   |   |   |   |   |   |   |       |    |      |       |       |   |   |   |   |   |   |   |       |    |      |       |       |   |   |   |   |   |   |   |       |    |      |       |       |   |   |   |   |   |   |   |       |    |      |       |       |   |   |   |   |   |   |   |       |    |      |       |       |   |   |   |   |   |   |   |       |    |      |       |       |   |   |   |   |   |   |   |       |    |      |       |       |       |   |   |   |   |   |   |       |    |   |   |       |       |   |   |   |   |   |   |       |    |   |   |       |       |   |   |   |   |   |   |       |     |   |   |       |       |   |   |   |   |   |   |       |     |   |   |       |       |   |   |   |   |   |   |       |     |   |   |       |       |   |   |   |   |   |   |       |     |   |   |       |       |   |   |   |   |   |   |       |     |   |   |   |       |   |   |   |   |   |   |       |     |   |   |   |       |   |   |   |   |   |   |       |     |   |   |   |       |       |   |   |   |   |   |       |     |   |   |   |       |       |   |   |   |   |   |      |     |   |   |   |       |      |   |   |   |   |   |      |     |   |   |   |   |      |   |   |   |   |   |      |     |   |   |   |   |      |   |   |   |   |   |      |     |   |   |   |   |      |   |   |   |   |   |      |     |   |   |   |   |      |   |   |      |   |   |      |     |   |   |   |   |   |   |   |      |   |   |      |     |   |   |   |   |   |   |   |      |   |      |      |     |   |   |   |   |   |   |   |   |   |      |      |     |   |   |   |   |   |   |   |   |   |   |      |     |   |   |   |   |   |   |   |   |   |   |      |     |   |   |   |   |   |   |   |   |   |   |      |
| 162  | -     | -       | -     | -      | -     | -           | - | -    | - | -    | 14,9        |      |  |  |  |  |  |  |  |  |  |  |      |     |  |  |  |  |  |  |  |  |  |  |             |                         |  |  |  |  |  |  |  |  |  |  |  |   |   |   |   |   |   |   |   |   |   |   |   |    |   |        |   |   |   |   |   |   |   |   |   |    |   |        |   |   |   |   |   |   |   |   |   |    |   |        |   |   |   |   |   |   |   |   |   |    |       |       |   |   |   |   |   |   |   |   |       |    |      |       |   |   |   |   |   |   |   |   |       |    |      |       |   |   |   |   |   |   |   |   |       |    |      |       |   |   |   |   |   |   |   |   |       |    |      |       |   |   |   |   |   |   |   |   |       |    |      |       |   |   |   |   |   |   |   |   |       |    |      |       |   |   |   |   |   |   |   |   |       |    |      |       |       |   |   |   |   |   |   |   |       |    |      |       |       |   |   |   |   |   |   |   |       |    |      |       |       |   |   |   |   |   |   |   |       |    |      |       |       |   |   |   |   |   |   |   |       |    |      |       |       |   |   |   |   |   |   |   |       |    |      |       |       |   |   |   |   |   |   |   |       |    |      |       |       |   |   |   |   |   |   |   |       |    |      |       |       |   |   |   |   |   |   |   |       |    |      |       |       |       |   |   |   |   |   |   |       |    |   |   |       |       |   |   |   |   |   |   |       |    |   |   |       |       |   |   |   |   |   |   |       |     |   |   |       |       |   |   |   |   |   |   |       |     |   |   |       |       |   |   |   |   |   |   |       |     |   |   |       |       |   |   |   |   |   |   |       |     |   |   |       |       |   |   |   |   |   |   |       |     |   |   |   |       |   |   |   |   |   |   |       |     |   |   |   |       |   |   |   |   |   |   |       |     |   |   |   |       |       |   |   |   |   |   |       |     |   |   |   |       |       |   |   |   |   |   |      |     |   |   |   |       |      |   |   |   |   |   |      |     |   |   |   |   |      |   |   |   |   |   |      |     |   |   |   |   |      |   |   |   |   |   |      |     |   |   |   |   |      |   |   |   |   |   |      |     |   |   |   |   |      |   |   |      |   |   |      |     |   |   |   |   |   |   |   |      |   |   |      |     |   |   |   |   |   |   |   |      |   |      |      |     |   |   |   |   |   |   |   |   |   |      |      |     |   |   |   |   |   |   |   |   |   |   |      |     |   |   |   |   |   |   |   |   |   |   |      |     |   |   |   |   |   |   |   |   |   |   |      |

6 m steps of luffing jib is standard · 6 m Stufung der Wippe ist Standard · Des paliers de 6 m sont de série pour la fléchette

Main boom angle 88°, 85°, 75°, 65°, 55° and 45°; capacities for intermediate boom positions are calculated by the crane control system IC-1  
 Hauptauslegerwinkel 88°, 85°, 75°, 65°, 55° und 45°; Traglasten für Zwischenstellungen des Hauptauslegers werden von der Kransteuerung IC-1 berechnet

Jarret de flèche principale 88°, 85°, 75°, 65°, 55° et 45° ; le système de commande de la grue IC-1 calcule les charges pour les positions intermédiaires de la flèche

\* Main boom angle 88° · Hauptauslegerwinkel 88° · Jarret de flèche principale 88°

| 295 t + 60 t ZB |      | 19-30 m |       | 10,5 m      |      | 9.8 m/s      |      | 360° |       | ISO |  |  |
|-----------------|------|---------|-------|-------------|------|--------------|------|------|-------|-----|--|--|
| 96 m + 96 m     |      |         |       |             |      | 96 m + 108 m |      |      |       |     |  |  |
|                 |      | SWSL    |       |             |      |              | SFSL |      |       |     |  |  |
|                 |      | 0 t     |       | 0 t - 640 t |      |              |      |      |       |     |  |  |
|                 |      | 85°     | 85°   | 75°         | 65°  | 55°          | 45°  |      |       |     |  |  |
| m               | t    | t       | t     | t           | t    | t            | t    | t    | t     |     |  |  |
| 38              | -    | 124,0*  | -     | -           | -    | -            | -    | -    | -     |     |  |  |
| 42              | -    | 121,0*  | -     | -           | -    | -            | -    | -    | -     |     |  |  |
| 46              | -    | 118,0*  | -     | -           | -    | -            | -    | -    | -     |     |  |  |
| 48              | 63,0 | 125,0   | -     | -           | -    | -            | -    | -    | 124,0 |     |  |  |
| 50              | 59,0 | 125,0   | -     | -           | -    | -            | -    | -    | 124,0 |     |  |  |
| 54              | 51,5 | 123,0   | -     | -           | -    | -            | -    | -    | 124,0 |     |  |  |
| 58              | 45,3 | 120,0   | -     | -           | -    | -            | -    | -    | 124,0 |     |  |  |
| 62              | 39,6 | 117,0   | -     | -           | -    | -            | -    | -    | 124,0 |     |  |  |
| 66              | 34,5 | 115,0   | -     | -           | -    | -            | -    | -    | 124,0 |     |  |  |
| 70              | 29,9 | 113,0   | -     | -           | -    | -            | -    | -    | 124,0 |     |  |  |
| 74              | 25,7 | 110,0   | -     | -           | -    | -            | -    | -    | 123,0 |     |  |  |
| 78              | 21,9 | 108,0   | 121,0 | -           | -    | -            | -    | -    | 121,0 |     |  |  |
| 82              | 18,5 | 105,5   | 121,0 | -           | -    | -            | -    | -    | 118,0 |     |  |  |
| 86              | 15,3 | 102,5   | 121,0 | -           | -    | -            | -    | -    | 116,0 |     |  |  |
| 90              | 12,4 | 99,5    | 121,0 | -           | -    | -            | -    | -    | 114,0 |     |  |  |
| 92              | 11,0 | 98,0    | 121,0 | -           | -    | -            | -    | -    | 113,0 |     |  |  |
| 94              | -    | 96,5    | 120,0 | -           | -    | -            | -    | -    | 112,0 |     |  |  |
| 98              | -    | 93,5    | 119,0 | -           | -    | -            | -    | -    | 109,0 |     |  |  |
| 100             | -    | 92,0    | 119,0 | -           | -    | -            | -    | -    | 107,5 |     |  |  |
| 102             | -    | -       | 118,0 | -           | -    | -            | -    | -    | 106,0 |     |  |  |
| 106             | -    | -       | 118,0 | -           | -    | -            | -    | -    | 103,0 |     |  |  |
| 108             | -    | -       | 117,0 | 105,0       | -    | -            | -    | -    | 102,0 |     |  |  |
| 110             | -    | -       | 114,0 | 105,0       | -    | -            | -    | -    | 101,0 |     |  |  |
| 114             | -    | -       | 106,0 | 105,0       | -    | -            | -    | -    | 98,5  |     |  |  |
| 118             | -    | -       | 96,5  | 104,0       | -    | -            | -    | -    | 95,0  |     |  |  |
| 120             | -    | -       | 90,5  | 101,0       | -    | -            | -    | -    | 91,0  |     |  |  |
| 122             | -    | -       | -     | 99,0        | -    | -            | -    | -    | 87,0  |     |  |  |
| 126             | -    | -       | -     | 94,0        | -    | -            | -    | -    | 80,0  |     |  |  |
| 130             | -    | -       | -     | 89,5        | -    | -            | -    | -    | 73,0  |     |  |  |
| 134             | -    | -       | -     | 85,5        | 68,0 | -            | -    | -    | 66,5  |     |  |  |
| 138             | -    | -       | -     | -           | 64,5 | -            | -    | -    | 60,5  |     |  |  |
| 142             | -    | -       | -     | -           | 61,5 | -            | -    | -    | 54,5  |     |  |  |
| 146             | -    | -       | -     | -           | 58,5 | -            | -    | -    | 47,2  |     |  |  |
| 150             | -    | -       | -     | -           | 55,5 | -            | -    | -    | 39,9  |     |  |  |
| 154             | -    | -       | -     | -           | -    | -            | -    | -    | 32,8  |     |  |  |
| 156             | -    | -       | -     | -           | -    | -            | -    | 31,1 | 29,3  |     |  |  |
| 158             | -    | -       | -     | -           | -    | -            | -    | 29,9 | 25,8  |     |  |  |
| 162             | -    | -       | -     | -           | -    | -            | -    | 27,6 | 19,0  |     |  |  |
| 166             | -    | -       | -     | -           | -    | -            | -    | -    | 12,3  |     |  |  |
| 42              | -    | 99,0*   | -     | -           | -    | -            | -    | -    | -     |     |  |  |
| 46              | -    | 97,0*   | -     | -           | -    | -            | -    | -    | -     |     |  |  |
| 50              | -    | 95,0*   | -     | -           | -    | -            | -    | -    | -     |     |  |  |
| 52              | 47,8 | 100,0   | -     | -           | -    | -            | -    | -    | -     |     |  |  |
| 54              | 44,5 | 100,0   | -     | -           | -    | -            | -    | -    | 100,0 |     |  |  |
| 58              | 38,3 | 98,5    | -     | -           | -    | -            | -    | -    | 100,0 |     |  |  |
| 62              | 32,8 | 97,0    | -     | -           | -    | -            | -    | -    | 99,5  |     |  |  |
| 66              | 27,9 | 95,0    | -     | -           | -    | -            | -    | -    | 99,0  |     |  |  |
| 68              | 25,6 | 94,0    | -     | -           | -    | -            | -    | -    | 98,7  |     |  |  |
| 70              | 23,4 | 93,0    | -     | -           | -    | -            | -    | -    | 98,5  |     |  |  |
| 74              | 19,4 | 91,5    | -     | -           | -    | -            | -    | -    | 98,0  |     |  |  |
| 78              | 15,7 | 89,5    | -     | -           | -    | -            | -    | -    | 97,5  |     |  |  |
| 82              | 12,4 | 87,7    | -     | -           | -    | -            | -    | -    | 96,0  |     |  |  |
| 84              | 10,8 | 87,0    | 95,0  | -           | -    | -            | -    | -    | 95,2  |     |  |  |
| 86              | -    | 86,0    | 95,0  | -           | -    | -            | -    | -    | 94,5  |     |  |  |
| 90              | -    | 83,5    | 95,0  | -           | -    | -            | -    | -    | 93,0  |     |  |  |
| 94              | -    | 80,5    | 95,0  | -           | -    | -            | -    | -    | 91,5  |     |  |  |
| 98              | -    | 77,2    | 95,0  | -           | -    | -            | -    | -    | 90,0  |     |  |  |
| 102             | -    | 74,0    | 94,5  | -           | -    | -            | -    | -    | 88,5  |     |  |  |
| 106             | -    | 71,0    | 94,5  | -           | -    | -            | -    | -    | 87,0  |     |  |  |
| 110             | -    | 67,7    | 94,0  | -           | -    | -            | -    | -    | 85,5  |     |  |  |
| 112             | -    | 66,0    | 94,0  | -           | -    | -            | -    | -    | 83,0  |     |  |  |
| 114             | -    | -       | 93,5  | -           | -    | -            | -    | -    | 82,0  |     |  |  |
| 116             | -    | -       | 92,5  | 81,5        | -    | -            | -    | -    | 81,2  |     |  |  |
| 118             | -    | -       | 91,0  | 81,5        | -    | -            | -    | -    | 80,5  |     |  |  |
| 122             | -    | -       | 87,0  | 81,5        | -    | -            | -    | -    | 79,0  |     |  |  |
| 126             | -    | -       | 80,5  | 81,5        | -    | -            | -    | -    | 77,5  |     |  |  |
| 130             | -    | -       | 72,0  | 81,5        | -    | -            | -    | -    | 72,0  |     |  |  |
| 134             | -    | -       | -     | 79,0        | -    | -            | -    | -    | 65,5  |     |  |  |
| 138             | -    | -       | -     | 75,0        | -    | -            | -    | -    | 59,5  |     |  |  |
| 142             | -    | -       | -     | 71,5        | -    | -            | -    | -    | 54,0  |     |  |  |
| 144             | -    | -       | -     | 69,5        | 53,5 | -            | -    | -    | 51,6  |     |  |  |
| 146             | -    | -       | -     | 68,0        | 52,0 | -            | -    | -    | 49,2  |     |  |  |
| 150             | -    | -       | -     | -           | 49,8 | -            | -    | -    | 42,3  |     |  |  |
| 154             | -    | -       | -     | -           | 46,8 | -            | -    | -    | 35,6  |     |  |  |
| 158             | -    | -       | -     | -           | 43,9 | -            | -    | -    | 29,0  |     |  |  |
| 160             | -    | -       | -     | -           | 42,6 | -            | -    | -    | 25,8  |     |  |  |
| 162             | -    | -       | -     | -           | -    | -            | -    | -    | 22,7  |     |  |  |
| 166             | -    | -       | -     | -           | -    | -            | -    | 17,8 | 16,5  |     |  |  |
| 170             | -    | -       | -     | -           | -    | -            | -    | 15,8 | 10,5  |     |  |  |
| 174             | -    | -       | -     | -           | -    | -            | -    | 14,0 | -     |     |  |  |

6 m steps of luffing jib is standard · 6 m Stufung der Wippe ist Standard · Des paliers de 6 m sont de série pour la fléchette

Main boom angle 88°, 85°, 75°, 65°, 55° and 45°; capacities for intermediate boom positions are calculated by the crane control system IC-1  
Hauptauslegerwinkel 88°, 85°, 75°, 65°, 55° und 45°; Traglasten für Zwischenstellungen des Hauptauslegers werden von der Kransteuerung IC-1 berechnet

Jarret de flèche principale 88°, 85°, 75°, 65°, 55° et 45° ; le système de commande de la grue IC-1 calcule les charges pour les positions intermédiaires de la flèche

\* Main boom angle 88° · Hauptauslegerwinkel 88° · Jarret de flèche principale 88°

| 295 t + 60 t ZB |       | 19-30 m |       | 10,5 m      |       | 9.8 m/s      |      | 360°  |       | ISO |  |  |
|-----------------|-------|---------|-------|-------------|-------|--------------|------|-------|-------|-----|--|--|
| 102 m + 36 m    |       |         |       |             |       | 102 m + 48 m |      |       |       |     |  |  |
|                 |       | SWSL    |       |             |       |              | SFSL |       |       |     |  |  |
|                 |       | 0 t     |       | 0 t - 640 t |       |              |      |       |       |     |  |  |
|                 |       | 85°     | 85°   | 75°         | 65°   | 55°          | 45°  |       |       |     |  |  |
| m               | t     | t       | t     | t           | t     | t            | t    | t     | t     |     |  |  |
| 20              | -     | 312,0*  | -     | -           | -     | -            | -    | -     | -     |     |  |  |
| 22              | -     | 304,0*  | -     | -           | -     | -            | -    | -     | -     |     |  |  |
| 24              | -     | 295,0*  | -     | -           | -     | -            | -    | -     | -     |     |  |  |
| 26              | -     | 287,0*  | -     | -           | -     | -            | -    | -     | -     |     |  |  |
| 28              | 180,0 | 321,0   | -     | -           | -     | -            | -    | -     | 314,0 |     |  |  |
| 30              | 168,0 | 314,0   | -     | -           | -     | -            | -    | -     | 314,0 |     |  |  |
| 34              | 148,0 | 298,0   | -     | -           | -     | -            | -    | -     | 314,0 |     |  |  |
| 38              | 131,0 | 284,0   | -     | -           | -     | -            | -    | -     | 314,0 |     |  |  |
| 42              | 118,0 | 273,0   | -     | -           | -     | -            | -    | -     | 314,0 |     |  |  |
| 46              | 106,0 | 263,0   | -     | -           | -     | -            | -    | -     | 312,0 |     |  |  |
| 50              | -     | -       | 322,0 | -           | -     | -            | -    | -     | 303,0 |     |  |  |
| 54              | -     | -       | 316,0 | -           | -     | -            | -    | -     | 293,0 |     |  |  |
| 58              | -     | -       | 303,0 | -           | -     | -            | -    | -     | 280,0 |     |  |  |
| 62              | -     | -       | 294,0 | -           | -     | -            | -    | -     | 271,0 |     |  |  |
| 64              | -     | -       | 290,0 | -           | -     | -            | -    | -     | 266,5 |     |  |  |
| 66              | -     | -       | -     | -           | -     | -            | -    | -     | 262,0 |     |  |  |
| 70              | -     | -       | -     | -           | -     | -            | -    | -     | 238,0 |     |  |  |
| 72              | -     | -       | -     | 231,0       | -     | -            | -    | -     | 227,5 |     |  |  |
| 74              | -     | -       | -     | 223,0       | -     | -            | -    | -     | 217,0 |     |  |  |
| 78              | -     | -       | -     | 210,0       | -     | -            | -    | -     | 198,0 |     |  |  |
| 80              | -     | -       | -     | 203,0       | -     | -            | -    | -     | 190,0 |     |  |  |
| 82              | -     | -       | -     | -           | -     | -            | -    | -     | 182,0 |     |  |  |
| 86              | -     | -       | -     | -           | -     | -            | -    | -     | 166,0 |     |  |  |
| 90              | -     | -       | -     | -           | -     | -            | -    | -     | 153,0 |     |  |  |
| 91              | -     | -       | -     | -           | 151,0 | -            | -    | -     | 149,7 |     |  |  |
| 94              | -     | -       | -     | -           | 145,0 | -            | -    | -     | 140,0 |     |  |  |
| 96              | -     | -       | -     | -           | 142,0 | -            | -    | -     | 134,5 |     |  |  |
| 98              | -     | -       | -     | -           | -     | -            | -    | -     | 129,0 |     |  |  |
| 102             | -     | -       | -     | -           | -     | -            | -    | -     | 118,0 |     |  |  |
| 106             | -     | -       | -     | -           | -     | -            | -    | -     | 108,0 |     |  |  |
| 108             | -     | -       | -     | -           | -     | -            | -    | 104,0 | 101,7 |     |  |  |
| 110             | -     | -       | -     | -           | -     | -            | -    | 101,0 | 95,5  |     |  |  |
| 114             | -     | -       | -     | -           | -     | -            | -    | -     | 83,0  |     |  |  |
| 118             | -     | -       | -     | -           | -     | -            | -    | -     | 70,5  |     |  |  |
| 122             | -     | -       | -     | -           | -     | -            | -    | -     | 58,5  |     |  |  |
| 24              | -     | 253,0*  | -     | -           | -     | -            | -    | -     | -     |     |  |  |
| 26              | -     | 247,0*  | -     | -           | -     | -            | -    | -     | -     |     |  |  |
| 28              | -     | 241,0*  | -     | -           | -     | -            | -    | -     | -     |     |  |  |
| 30              | -     | 235,0*  | -     | -           | -     | -            | -    | -     | -     |     |  |  |
| 32              | 145,0 | 262,0   | -     | -           | -     | -            | -    | -     | 256,0 |     |  |  |
| 34              | 136,0 | 257,0   | -     | -           | -     | -            | -    | -     | 256,0 |     |  |  |
| 38              | 121,0 | 247,0   | -     | -           | -     | -            | -    | -     | 256,0 |     |  |  |
| 42              | 108,0 | 237,0   | -     | -           | -     | -            | -    | -     | 256,0 |     |  |  |
| 46              | 97,0  | 227,0   | -     | -           | -     | -            | -    | -     | 256,0 |     |  |  |
| 50              | 87,5  | 219,0   | -     | -           | -     | -            | -    | -     | 256,0 |     |  |  |
| 54              | 79,0  | 211,0   | -     | -           | -     | -            | -    | -     | 250,0 |     |  |  |
| 56              | 75,5  | 208,0   | 262,0 | -           | -     | -            | -    | -     | 247,0 |     |  |  |
| 58              | 72,0  | 204,0   | 262,0 | -           | -     | -            | -    | -     | 244,0 |     |  |  |
| 62              | -     | -       | 258,0 | -           | -     | -            | -    | -     | 237,0 |     |  |  |
| 66              | -     | -       | 245,0 | -           | -     | -            | -    | -     | 227,0 |     |  |  |
| 70              | -     | -       | 239,0 | -           | -     | -            | -    | -     | 221,0 |     |  |  |
| 74              | -     | -       | 234,0 | -           | -     | -            | -    | -     | 214,0 |     |  |  |
| 76              | -     | -       | 231,0 | -           | -     | -            | -    | -     | 208,0 |     |  |  |
| 78              | -     | -       | -     | -           | -     | -            | -    | -     | 202,0 |     |  |  |
| 79              | -     | -       | -     | 200,0       | -     | -            | -    | -     | 197,7 |     |  |  |
| 82              | -     | -       | -     | 191,0       | -     | -            | -    | -     | 185,0 |     |  |  |
| 86              | -     | -       | -     | 180,0       | -     | -            | -    | -     | 170,0 |     |  |  |
| 90              | -     | -       | -     | 170,0       | -     | -            | -    | -     | 156,0 |     |  |  |
| 92              | -     | -       | -     | 166,0       | -     | -            | -    | -     | 149,5 |     |  |  |
| 94              | -     | -       | -     | -           | -     | -            | -    | -     | 143,0 |     |  |  |
| 98              | -     | -       | -     | -           | -     | -            | -    | -     | 131,0 |     |  |  |
| 100             | -     | -       | -     | -           | 127,0 | -            | -    | -     | 126,0 |     |  |  |
| 102             | -     | -       | -     | -           | 124,0 | -            | -    | -     | 121,0 |     |  |  |
| 106             | -     | -       | -     | -           | 118,0 | -            | -    | -     | 111,0 |     |  |  |
| 108             | -     | -       | -     | -           | 115,0 | -            | -    | -     | 106,5 |     |  |  |
| 110             | -     | -       | -     | -           | -     | -            | -    | -     | 102,0 |     |  |  |
| 114             | -     | -       | -     | -           | -     | -            | -    | -     | 93,5  |     |  |  |
| 118             | -     | -       | -     | -           | -     | -            | -    | -     | 82,5  |     |  |  |
| 119             | -     | -       | -     | -           | -     | -            | -    | 83,0  | 79,7  |     |  |  |
| 120             | -     | -       | -     | -           | -     | -            | -    | 81,5  | 77,0  |     |  |  |
| 122             | -     | -       | -     | -           | -     | -            | -    | -     | 71,5  |     |  |  |
| 126             | -     | -       | -     | -           | -     | -            | -    | -     | 61,0  |     |  |  |
| 130             | -     | -       | -     | -           | -     | -            | -    | -     | 50,5  |     |  |  |
| 134             | -     | -       | -     | -           | -     | -            | -    | -     | 42,7  |     |  |  |

6 m steps of luffing jib is standard · 6 m Stufung der Wippe ist Standard · Des paliers de 6 m sont de série pour la fléchette

Main boom angle 88°, 85°, 75°, 65°, 55° and 45°; capacities for intermediate boom positions are calculated by the crane control system IC-1  
Hauptauslegerwinkel 88°, 85°, 75°, 65°, 55° und 45°; Traglasten für Zwischenstellungen des Hauptauslegers werden von der Kransteuerung IC-1 berechnet

Jarret de flèche principale 88°, 85°, 75°, 65°, 55° et 45° ; le système de commande de la grue IC-1 calcule les charges pour les positions intermédiaires de la flèche

\* Main boom angle 88° · Hauptauslegerwinkel 88° · Jarret de flèche principale 88°

| 295 t + 60 t ZB |       | 19-30 m |       | 10,5 m      |       | 9.8 m/s      |      | 360°  |     | ISO  |        |       |             |      |       |  |  |
|-----------------|-------|---------|-------|-------------|-------|--------------|------|-------|-----|------|--------|-------|-------------|------|-------|--|--|
| 102 m + 60 m    |       |         |       |             |       | 102 m + 72 m |      |       |     |      |        |       |             |      |       |  |  |
|                 |       | SWSL    |       |             |       |              | SFSL |       |     |      | SWSL   |       | SFSL        |      |       |  |  |
|                 |       | 0 t     |       | 0 t - 640 t |       |              |      |       |     |      | 0 t    |       | 0 t - 640 t |      |       |  |  |
|                 |       | 85°     | 85°   | 75°         | 65°   | 55°          | 45°  |       |     | 85°  | 85°    | 75°   | 65°         | 55°  | 45°   |  |  |
| m               | t     | t       | t     | t           | t     | t            | t    | t     | m   | t    | t      | t     | t           | t    | t     |  |  |
| 28              | -     | 207,0*  | -     | -           | -     | -            | -    | -     | 30  | -    | 171,0* | -     | -           | -    | -     |  |  |
| 30              | -     | 203,0*  | -     | -           | -     | -            | -    | -     | 34  | -    | 167,0* | -     | -           | -    | -     |  |  |
| 34              | -     | 194,0*  | -     | -           | -     | -            | -    | -     | 38  | -    | 160,0* | -     | -           | -    | -     |  |  |
| 36              | 118,0 | 215,0   | -     | -           | -     | -            | -    | 211,0 | 40  | 96,5 | 176,0  | -     | -           | -    | 173,0 |  |  |
| 38              | 111,0 | 212,0   | -     | -           | -     | -            | -    | 211,0 | 42  | 91,0 | 174,0  | -     | -           | -    | 173,0 |  |  |
| 42              | 99,5  | 205,0   | -     | -           | -     | -            | -    | 211,0 | 46  | 80,5 | 169,0  | -     | -           | -    | 173,0 |  |  |
| 46              | 89,0  | 198,0   | -     | -           | -     | -            | -    | 211,0 | 50  | 72,0 | 164,0  | -     | -           | -    | 173,0 |  |  |
| 50              | 79,5  | 191,0   | -     | -           | -     | -            | -    | 211,0 | 54  | 64,5 | 159,0  | -     | -           | -    | 173,0 |  |  |
| 54              | 72,0  | 184,0   | -     | -           | -     | -            | -    | 211,0 | 58  | 58,0 | 154,0  | -     | -           | -    | 173,0 |  |  |
| 58              | 65,0  | 178,0   | -     | -           | -     | -            | -    | 208,0 | 62  | 52,0 | 150,0  | -     | -           | -    | 172,0 |  |  |
| 62              | 59,0  | 173,0   | 213,0 | -           | -     | -            | -    | 204,0 | 66  | 46,9 | 145,0  | -     | -           | -    | 170,0 |  |  |
| 66              | 53,5  | 167,0   | 213,0 | -           | -     | -            | -    | 200,0 | 68  | 44,4 | 143,0  | 173,0 | -           | -    | 168,5 |  |  |
| 68              | 51,0  | 165,0   | 212,0 | -           | -     | -            | -    | 197,5 | 70  | 42,1 | 141,0  | 173,0 | -           | -    | 167,0 |  |  |
| 70              | -     | -       | 210,0 | -           | -     | -            | -    | 195,0 | 74  | 37,8 | 137,0  | 172,0 | -           | -    | 164,0 |  |  |
| 74              | -     | -       | 206,0 | -           | -     | -            | -    | 191,0 | 78  | 33,9 | 133,0  | 171,0 | -           | -    | 161,0 |  |  |
| 78              | -     | -       | 198,0 | -           | -     | -            | -    | 183,0 | 80  | 32,1 | 131,0  | 169,0 | -           | -    | 159,5 |  |  |
| 82              | -     | -       | 194,0 | -           | -     | -            | -    | 179,0 | 82  | -    | -      | 168,0 | -           | -    | 158,0 |  |  |
| 86              | -     | -       | 189,0 | -           | -     | -            | -    | 174,0 | 86  | -    | -      | 166,0 | -           | -    | 152,0 |  |  |
| 88              | -     | -       | -     | 173,0       | -     | -            | -    | 168,0 | 90  | -    | -      | 161,0 | -           | -    | 149,0 |  |  |
| 90              | -     | -       | -     | 168,0       | -     | -            | -    | 162,0 | 94  | -    | -      | 157,0 | -           | -    | 145,0 |  |  |
| 94              | -     | -       | -     | 159,0       | -     | -            | -    | 149,0 | 96  | -    | -      | 156,0 | 149,0       | -    | 142,5 |  |  |
| 98              | -     | -       | -     | 150,0       | -     | -            | -    | 137,0 | 98  | -    | -      | 154,0 | 145,0       | -    | 140,0 |  |  |
| 102             | -     | -       | -     | 143,0       | -     | -            | -    | 127,0 | 102 | -    | -      | -     | 138,0       | -    | 129,0 |  |  |
| 104             | -     | -       | -     | 139,0       | -     | -            | -    | 121,5 | 106 | -    | -      | -     | 131,0       | -    | 119,0 |  |  |
| 106             | -     | -       | -     | -           | -     | -            | -    | 116,0 | 110 | -    | -      | -     | 124,0       | -    | 109,0 |  |  |
| 110             | -     | -       | -     | -           | 109,0 | -            | -    | 107,0 | 114 | -    | -      | -     | 118,0       | -    | 100,0 |  |  |
| 114             | -     | -       | -     | -           | 104,0 | -            | -    | 98,5  | 118 | -    | -      | -     | -           | -    | 92,5  |  |  |
| 118             | -     | -       | -     | -           | 99,0  | -            | -    | 90,5  | 120 | -    | -      | -     | -           | 91,0 | 88,7  |  |  |
| 122             | -     | -       | -     | -           | -     | -            | -    | 83,0  | 122 | -    | -      | -     | -           | 88,5 | 85,0  |  |  |
| 126             | -     | -       | -     | -           | -     | -            | -    | 74,0  | 126 | -    | -      | -     | -           | 84,5 | 77,5  |  |  |
| 130             | -     | -       | -     | -           | -     | -            | 68,0 | 64,0  | 130 | -    | -      | -     | -           | 81,0 | 71,0  |  |  |
| 132             | -     | -       | -     | -           | -     | -            | 66,0 | 59,2  | 134 | -    | -      | -     | -           | -    | 62,5  |  |  |
| 134             | -     | -       | -     | -           | -     | -            | -    | 54,5  | 138 | -    | -      | -     | -           | -    | 54,0  |  |  |
| 138             | -     | -       | -     | -           | -     | -            | -    | 45,5  | 140 | -    | -      | -     | -           | -    | 53,0  |  |  |
| 142             | -     | -       | -     | -           | -     | -            | -    | 36,4  | 142 | -    | -      | -     | -           | -    | 51,5  |  |  |
| 146             | -     | -       | -     | -           | -     | -            | -    | 31,1  | 144 | -    | -      | -     | -           | -    | 50,0  |  |  |
|                 |       |         |       |             |       |              |      |       | 146 | -    | -      | -     | -           | -    | 41,9  |  |  |
|                 |       |         |       |             |       |              |      |       | 150 | -    | -      | -     | -           | -    | 29,7  |  |  |
|                 |       |         |       |             |       |              |      |       | 154 | -    | -      | -     | -           | -    | 22,6  |  |  |

6 m steps of luffing jib is standard · 6 m Stufung der Wippe ist Standard · Des paliers de 6 m sont de série pour la fléchette

Main boom angle 88°, 85°, 75°, 65°, 55° and 45°; capacities for intermediate boom positions are calculated by the crane control system IC-1  
 Hauptauslegerwinkel 88°, 85°, 75°, 65°, 55° und 45°; Traglasten für Zwischenstellungen des Hauptauslegers werden von der Kransteuerung IC-1 berechnet

Jarret de flèche principale 88°, 85°, 75°, 65°, 55° et 45° ; le système de commande de la grue IC-1 calcule les charges pour les positions intermédiaires de la flèche

\* Main boom angle 88° · Hauptauslegerwinkel 88° · Jarret de flèche principale 88°

| 295 t + 60 t ZB |      | 19-30 m |        | 10,5 m      |      | 9.8 m/s      |   | 360° |   | ISO |      |       |   |
|-----------------|------|---------|--------|-------------|------|--------------|---|------|---|-----|------|-------|---|
| 102 m + 84 m    |      |         |        |             |      | 102 m + 96 m |   |      |   |     |      |       |   |
|                 |      | SWSL    |        |             |      |              |   | SFSL |   |     |      |       |   |
|                 |      | 0 t     |        | 0 t - 640 t |      |              |   |      |   |     |      |       |   |
|                 |      | 85°     |        | 85°         |      | 75°          |   | 65°  |   | 55° |      | 45°   |   |
|                 |      | m       |        | t           |      | t            |   | t    |   | t   |      | t     |   |
| 34              | -    | -       | 139,0* | -           | -    | -            | - | -    | - | -   | -    | -     | - |
| 38              | -    | -       | 136,0* | -           | -    | -            | - | -    | - | -   | -    | -     | - |
| 42              | -    | -       | 132,0* | -           | -    | -            | - | -    | - | -   | -    | -     | - |
| 44              | 75,0 | 142,0   | -      | -           | -    | -            | - | -    | - | -   | -    | 140,0 | - |
| 46              | 70,5 | 141,0   | -      | -           | -    | -            | - | -    | - | -   | -    | 140,0 | - |
| 50              | 62,0 | 138,0   | -      | -           | -    | -            | - | -    | - | -   | -    | 140,0 | - |
| 54              | 55,0 | 134,0   | -      | -           | -    | -            | - | -    | - | -   | -    | 140,0 | - |
| 58              | 48,6 | 131,0   | -      | -           | -    | -            | - | -    | - | -   | -    | 140,0 | - |
| 62              | 43,0 | 127,0   | -      | -           | -    | -            | - | -    | - | -   | -    | 140,0 | - |
| 66              | 37,9 | 124,0   | -      | -           | -    | -            | - | -    | - | -   | -    | 140,0 | - |
| 70              | 33,3 | 120,0   | -      | -           | -    | -            | - | -    | - | -   | -    | 138,0 | - |
| 74              | 29,2 | 117,0   | 137,0  | -           | -    | -            | - | -    | - | -   | -    | 135,0 | - |
| 78              | 25,4 | 114,0   | 137,0  | -           | -    | -            | - | -    | - | -   | -    | 132,0 | - |
| 80              | 23,7 | 113,0   | 137,0  | -           | -    | -            | - | -    | - | -   | -    | 130,5 | - |
| 82              | 22,0 | 111,5   | 136,0  | -           | -    | -            | - | -    | - | -   | -    | 129,0 | - |
| 86              | 18,9 | 108,5   | 135,0  | -           | -    | -            | - | -    | - | -   | -    | 126,0 | - |
| 90              | 16,0 | 105,5   | 133,0  | -           | -    | -            | - | -    | - | -   | -    | 124,0 | - |
| 92              | 14,6 | 104,0   | 132,0  | -           | -    | -            | - | -    | - | -   | -    | 122,5 | - |
| 94              | -    | -       | 131,0  | -           | -    | -            | - | -    | - | -   | -    | 121,0 | - |
| 98              | -    | -       | 130,0  | -           | -    | -            | - | -    | - | -   | -    | 116,0 | - |
| 102             | -    | -       | 128,0  | 116,0       | -    | -            | - | -    | - | -   | -    | 113,0 | - |
| 106             | -    | -       | 123,0  | 116,0       | -    | -            | - | -    | - | -   | -    | 110,0 | - |
| 110             | -    | -       | 115,0  | 115,0       | -    | -            | - | -    | - | -   | -    | 107,0 | - |
| 114             | -    | -       | -      | 109,0       | -    | -            | - | -    | - | -   | -    | 98,0  | - |
| 118             | -    | -       | -      | 104,0       | -    | -            | - | -    | - | -   | -    | 90,0  | - |
| 122             | -    | -       | -      | 99,0        | -    | -            | - | -    | - | -   | -    | 82,0  | - |
| 126             | -    | -       | -      | 94,5        | -    | -            | - | -    | - | -   | -    | 75,0  | - |
| 128             | -    | -       | -      | -           | 73,0 | -            | - | -    | - | -   | -    | 71,5  | - |
| 130             | -    | -       | -      | -           | 71,0 | -            | - | -    | - | -   | -    | 68,0  | - |
| 134             | -    | -       | -      | -           | 67,5 | -            | - | -    | - | -   | -    | 62,0  | - |
| 138             | -    | -       | -      | -           | 64,0 | -            | - | -    | - | -   | -    | 55,5  | - |
| 142             | -    | -       | -      | -           | 61,5 | -            | - | -    | - | -   | -    | 48,0  | - |
| 146             | -    | -       | -      | -           | -    | -            | - | -    | - | -   | -    | 40,4  | - |
| 150             | -    | -       | -      | -           | -    | -            | - | -    | - | -   | 35,3 | 33,0  | - |
| 154             | -    | -       | -      | -           | -    | -            | - | -    | - | -   | 32,9 | 25,8  | - |
| 156             | -    | -       | -      | -           | -    | -            | - | -    | - | -   | 31,8 | 22,2  | - |
| 158             | -    | -       | -      | -           | -    | -            | - | -    | - | -   | -    | 18,7  | - |
| 162             | -    | -       | -      | -           | -    | -            | - | -    | - | -   | -    | 11,7  | - |
| 38              | -    | 113,0*  | -      | -           | -    | -            | - | -    | - | -   | -    | -     | - |
| 42              | -    | 111,0*  | -      | -           | -    | -            | - | -    | - | -   | -    | -     | - |
| 46              | -    | 108,0*  | -      | -           | -    | -            | - | -    | - | -   | -    | -     | - |
| 48              | 58,0 | 115,0   | -      | -           | -    | -            | - | -    | - | -   | -    | 114,0 | - |
| 50              | 54,5 | 114,0   | -      | -           | -    | -            | - | -    | - | -   | -    | 114,0 | - |
| 54              | 47,6 | 112,0   | -      | -           | -    | -            | - | -    | - | -   | -    | 114,0 | - |
| 58              | 41,5 | 109,0   | -      | -           | -    | -            | - | -    | - | -   | -    | 114,0 | - |
| 62              | 36,0 | 107,0   | -      | -           | -    | -            | - | -    | - | -   | -    | 113,0 | - |
| 66              | 31,2 | 104,0   | -      | -           | -    | -            | - | -    | - | -   | -    | 113,0 | - |
| 70              | 26,7 | 102,0   | -      | -           | -    | -            | - | -    | - | -   | -    | 113,0 | - |
| 72              | 24,7 | 101,0   | -      | -           | -    | -            | - | -    | - | -   | -    | 112,5 | - |
| 74              | 22,7 | 99,5    | -      | -           | -    | -            | - | -    | - | -   | -    | 112,0 | - |
| 78              | 19,1 | 97,0    | -      | -           | -    | -            | - | -    | - | -   | -    | 110,0 | - |
| 80              | 17,4 | 96,0    | 109,0  | -           | -    | -            | - | -    | - | -   | -    | 109,0 | - |
| 82              | 15,8 | 94,7    | 109,0  | -           | -    | -            | - | -    | - | -   | -    | 108,0 | - |
| 86              | 12,7 | 92,2    | 109,0  | -           | -    | -            | - | -    | - | -   | -    | 106,0 | - |
| 88              | 11,2 | 91,0    | 109,0  | -           | -    | -            | - | -    | - | -   | -    | 105,0 | - |
| 90              | -    | 89,7    | 109,0  | -           | -    | -            | - | -    | - | -   | -    | 104,0 | - |
| 94              | -    | 87,2    | 108,0  | -           | -    | -            | - | -    | - | -   | -    | 102,0 | - |
| 98              | -    | 85,0    | 107,0  | -           | -    | -            | - | -    | - | -   | -    | 100,0 | - |
| 102             | -    | 82,7    | 106,0  | -           | -    | -            | - | -    | - | -   | -    | 98,5  | - |
| 104             | -    | 81,5    | 106,0  | -           | -    | -            | - | -    | - | -   | -    | 95,7  | - |
| 106             | -    | -       | 105,0  | -           | -    | -            | - | -    | - | -   | -    | 94,5  | - |
| 110             | -    | -       | 104,0  | 94,5        | -    | -            | - | -    | - | -   | -    | 92,5  | - |
| 114             | -    | -       | 103,0  | 94,5        | -    | -            | - | -    | - | -   | -    | 90,5  | - |
| 118             | -    | -       | 99,5   | 94,5        | -    | -            | - | -    | - | -   | -    | 88,5  | - |
| 120             | -    | -       | 95,5   | 94,5        | -    | -            | - | -    | - | -   | -    | 86,0  | - |
| 122             | -    | -       | -      | 94,0        | -    | -            | - | -    | - | -   | -    | 83,5  | - |
| 126             | -    | -       | -      | 89,0        | -    | -            | - | -    | - | -   | -    | 76,5  | - |
| 130             | -    | -       | -      | 85,0        | -    | -            | - | -    | - | -   | -    | 69,5  | - |
| 134             | -    | -       | -      | 81,0        | -    | -            | - | -    | - | -   | -    | 63,0  | - |
| 138             | -    | -       | -      | 77,0        | 59,0 | -            | - | -    | - | -   | -    | 57,0  | - |
| 142             | -    | -       | -      | -           | 55,5 | -            | - | -    | - | -   | -    | 52,5  | - |
| 146             | -    | -       | -      | -           | 53,0 | -            | - | -    | - | -   | -    | 45,5  | - |
| 150             | -    | -       | -      | -           | 50,5 | -            | - | -    | - | -   | -    | 38,4  | - |
| 152             | -    | -       | -      | -           | 49,8 | -            | - | -    | - | -   | -    | 35,0  | - |
| 154             | -    | -       | -      | -           | -    | -            | - | -    | - | -   | -    | 31,6  | - |
| 158             | -    | -       | -      | -           | -    | -            | - | -    | - | -   | -    | 24,9  | - |
| 160             | -    | -       | -      | -           | -    | -            | - | -    | - | -   | 23,3 | 21,6  | - |
| 162             | -    | -       | -      | -           | -    | -            | - | -    | - | -   | 22,2 | 18,4  | - |
| 166             | -    | -       | -      | -           | -    | -            | - | -    | - | -   | 20,2 | 12,0  | - |

6 m steps of luffing jib is standard · 6 m Stufung der Wippe ist Standard · Des paliers de 6 m sont de série pour la fléchette

Main boom angle 88°, 85°, 75°, 65°, 55° and 45°; capacities for intermediate boom positions are calculated by the crane control system IC-1  
Hauptauslegerwinkel 88°, 85°, 75°, 65°, 55° und 45°; Traglasten für Zwischenstellungen des Hauptauslegers werden von der Kransteuerung IC-1 berechnet

Jarret de flèche principale 88°, 85°, 75°, 65°, 55° et 45° ; le système de commande de la grue IC-1 calcule les charges pour les positions intermédiaires de la flèche

\* Main boom angle 88° · Hauptauslegerwinkel 88° · Jarret de flèche principale 88°

| 295 t + 60 t ZB |      | 19-30 m |             | 10,5 m |      | 9.8 m/s      |      | 360° |   | ISO  |       |             |       |       |       |      |       |
|-----------------|------|---------|-------------|--------|------|--------------|------|------|---|------|-------|-------------|-------|-------|-------|------|-------|
| 102 m + 108 m   |      |         |             |        |      | 108 m + 36 m |      |      |   |      |       |             |       |       |       |      |       |
|                 |      | SWSL    |             |        |      |              | SFSL |      |   | SWSL |       |             |       |       | SFSL  |      |       |
|                 |      | 0 t     | 0 t - 640 t |        |      |              |      |      |   |      | 0 t   | 0 t - 640 t |       |       |       |      |       |
|                 |      | 85°     | 85°         | 75°    | 65°  | 55°          | 45°  |      |   |      | 85°   | 85°         | 75°   | 65°   | 55°   | 45°  |       |
| m               | t    | t       | t           | t      | t    | t            | t    | t    | t | m    | t     | t           | t     | t     | t     | t    | t     |
| 42              | -    | 90,5*   | -           | -      | -    | -            | -    | -    | - | 20   | -     | 283,0*      | -     | -     | -     | -    | -     |
| 46              | -    | 88,5*   | -           | -      | -    | -            | -    | -    | - | 22   | -     | 276,0*      | -     | -     | -     | -    | -     |
| 50              | -    | 86,5*   | -           | -      | -    | -            | -    | -    | - | 24   | -     | 269,0*      | -     | -     | -     | -    | -     |
| 52              | 43,6 | 91,5    | -           | -      | -    | -            | -    | -    | - | 26   | -     | 262,0*      | -     | -     | -     | -    | -     |
| 54              | 40,4 | 91,5    | -           | -      | -    | -            | -    | 91,0 | - | 28   | 171,0 | 291,0       | -     | -     | -     | -    | 285,0 |
| 58              | 34,4 | 89,5    | -           | -      | -    | -            | -    | 91,0 | - | 30   | 159,0 | 285,0       | -     | -     | -     | -    | 285,0 |
| 62              | 29,2 | 88,0    | -           | -      | -    | -            | -    | 91,0 | - | 34   | 140,0 | 272,0       | -     | -     | -     | -    | 285,0 |
| 64              | 26,8 | 87,0    | -           | -      | -    | -            | -    | 90,7 | - | 38   | 125,0 | 260,0       | -     | -     | -     | -    | 285,0 |
| 66              | 24,5 | 86,0    | -           | -      | -    | -            | -    | 90,5 | - | 42   | 112,0 | 249,0       | -     | -     | -     | -    | 285,0 |
| 70              | 20,3 | 84,5    | -           | -      | -    | -            | -    | 90,0 | - | 46   | 101,0 | 240,0       | -     | -     | -     | -    | 285,0 |
| 74              | 16,4 | 82,5    | -           | -      | -    | -            | -    | 89,5 | - | 50   | -     | -           | -     | -     | -     | -    | 276,0 |
| 78              | 12,8 | 80,5    | -           | -      | -    | -            | -    | 88,5 | - | 52   | -     | -           | 288,0 | -     | -     | -    | 272,0 |
| 80              | 11,2 | 80,0    | -           | -      | -    | -            | -    | 88,0 | - | 54   | -     | -           | 288,0 | -     | -     | -    | 268,0 |
| 82              | -    | 79,0    | -           | -      | -    | -            | -    | 87,5 | - | 58   | -     | -           | 280,0 | -     | -     | -    | 260,0 |
| 86              | -    | 77,0    | 85,5        | -      | -    | -            | -    | 86,0 | - | 62   | -     | -           | 266,0 | -     | -     | -    | 249,0 |
| 90              | -    | 75,0    | 85,5        | -      | -    | -            | -    | 84,5 | - | 66   | -     | -           | 259,0 | -     | -     | -    | 240,0 |
| 94              | -    | 73,0    | 85,5        | -      | -    | -            | -    | 83,0 | - | 70   | -     | -           | -     | -     | -     | -    | 232,0 |
| 98              | -    | 70,7    | 85,5        | -      | -    | -            | -    | 82,0 | - | 74   | -     | -           | -     | 215,0 | -     | -    | 212,0 |
| 102             | -    | 68,5    | 85,5        | -      | -    | -            | -    | 80,5 | - | 78   | -     | -           | -     | 201,0 | -     | -    | 193,0 |
| 106             | -    | 66,5    | 84,5        | -      | -    | -            | -    | 79,0 | - | 82   | -     | -           | -     | 190,0 | -     | -    | 177,0 |
| 110             | -    | 64,2    | 84,0        | -      | -    | -            | -    | 77,5 | - | 86   | -     | -           | -     | -     | -     | -    | 161,0 |
| 112             | -    | 63,0    | 83,5        | -      | -    | -            | -    | 76,5 | - | 90   | -     | -           | -     | -     | -     | -    | 147,0 |
| 114             | -    | -       | 83,5        | -      | -    | -            | -    | 75,5 | - | 94   | -     | -           | -     | -     | -     | -    | 135,0 |
| 118             | -    | -       | 82,5        | 72,5   | -    | -            | -    | 73,0 | - | 95   | -     | -           | -     | -     | 134,0 | -    | 132,0 |
| 122             | -    | -       | 81,5        | 72,5   | -    | -            | -    | 72,0 | - | 98   | -     | -           | -     | -     | 129,0 | -    | 123,0 |
| 126             | -    | -       | 80,0        | 72,5   | -    | -            | -    | 70,5 | - | 100  | -     | -           | -     | -     | 126,0 | -    | 118,0 |
| 130             | -    | -       | 76,0        | 72,5   | -    | -            | -    | 68,5 | - | 102  | -     | -           | -     | -     | -     | -    | 113,0 |
| 132             | -    | -       | 71,0        | 72,5   | -    | -            | -    | 65,2 | - | 106  | -     | -           | -     | -     | -     | -    | 103,0 |
| 134             | -    | -       | -           | 72,5   | -    | -            | -    | 62,0 | - | 110  | -     | -           | -     | -     | -     | -    | 94,5  |
| 138             | -    | -       | -           | 70,5   | -    | -            | -    | 56,0 | - | 112  | -     | -           | -     | -     | -     | 90,5 | 88,5  |
| 142             | -    | -       | -           | 67,0   | -    | -            | -    | 51,5 | - | 114  | -     | -           | -     | -     | -     | 88,0 | 82,5  |
| 146             | -    | -       | -           | 63,5   | 47,9 | -            | -    | 46,9 | - | 118  | -     | -           | -     | -     | -     | -    | 71,0  |
| 148             | -    | -       | -           | 62,0   | 46,3 | -            | -    | 43,5 | - | 122  | -     | -           | -     | -     | -     | -    | 60,0  |
| 150             | -    | -       | -           | -      | 44,7 | -            | -    | 40,2 | - | 126  | -     | -           | -     | -     | -     | -    | 49,0  |
| 154             | -    | -       | -           | -      | 41,7 | -            | -    | 33,6 | - |      |       |             |       |       |       |      |       |
| 158             | -    | -       | -           | -      | 38,9 | -            | -    | 27,3 | - |      |       |             |       |       |       |      |       |
| 162             | -    | -       | -           | -      | 36,3 | -            | -    | 21,2 | - |      |       |             |       |       |       |      |       |
| 164             | -    | -       | -           | -      | 35,1 | -            | -    | 18,2 | - |      |       |             |       |       |       |      |       |
| 166             | -    | -       | -           | -      | -    | -            | -    | 15,2 | - |      |       |             |       |       |       |      |       |

6 m steps of luffing jib is standard · 6 m Stufung der Wippe ist Standard · Des paliers de 6 m sont de série pour la fléchette

Main boom angle 88°, 85°, 75°, 65°, 55° and 45°; capacities for intermediate boom positions are calculated by the crane control system IC-1  
 Hauptauslegerwinkel 88°, 85°, 75°, 65°, 55° und 45°; Traglasten für Zwischenstellungen des Hauptauslegers werden von der Kransteuerung IC-1 berechnet

Jarret de flèche principale 88°, 85°, 75°, 65°, 55° et 45° ; le système de commande de la grue IC-1 calcule les charges pour les positions intermédiaires de la flèche

\* Main boom angle 88° · Hauptauslegerwinkel 88° · Jarret de flèche principale 88°

| 295 t + 60 t ZB |       | 19-30 m |       | 10,5 m      |       | 9.8 m/s      |      | 360° |   | ISO  |       |       |   |
|-----------------|-------|---------|-------|-------------|-------|--------------|------|------|---|------|-------|-------|---|
| 108 m + 48 m    |       |         |       |             |       | 108 m + 60 m |      |      |   |      |       |       |   |
|                 |       | SWSL    |       |             |       |              | SFSL |      |   |      |       |       |   |
|                 |       | 0 t     |       | 0 t - 640 t |       |              |      |      |   |      |       |       |   |
|                 |       | 85°     |       | 85°         |       | 75°          |      | 65°  |   | 55°  |       | 45°   |   |
|                 |       | m       |       | t           |       | t            |      | t    |   | t    |       | t     |   |
| 24              | -     | 230,0*  | -     | -           | -     | -            | -    | -    | - | -    | -     | -     | - |
| 26              | -     | 225,0*  | -     | -           | -     | -            | -    | -    | - | -    | -     | -     | - |
| 28              | -     | 220,0*  | -     | -           | -     | -            | -    | -    | - | -    | -     | -     | - |
| 30              | -     | 214,0*  | -     | -           | -     | -            | -    | -    | - | -    | -     | -     | - |
| 32              | 137,0 | 237,0   | -     | -           | -     | -            | -    | -    | - | -    | 233,0 | -     | - |
| 34              | 129,0 | 233,0   | -     | -           | -     | -            | -    | -    | - | -    | 233,0 | -     | - |
| 38              | 114,0 | 224,0   | -     | -           | -     | -            | -    | -    | - | -    | 233,0 | -     | - |
| 42              | 102,0 | 215,0   | -     | -           | -     | -            | -    | -    | - | -    | 233,0 | -     | - |
| 46              | 91,5  | 206,0   | -     | -           | -     | -            | -    | -    | - | -    | 233,0 | -     | - |
| 50              | 82,5  | 199,0   | -     | -           | -     | -            | -    | -    | - | -    | 233,0 | -     | - |
| 54              | 74,5  | 192,0   | -     | -           | -     | -            | -    | -    | - | -    | 229,0 | -     | - |
| 58              | 68,0  | 185,0   | 234,0 | -           | -     | -            | -    | -    | - | -    | 224,0 | -     | - |
| 62              | -     | -       | 232,0 | -           | -     | -            | -    | -    | - | -    | 218,0 | -     | - |
| 66              | -     | -       | 226,0 | -           | -     | -            | -    | -    | - | -    | 213,0 | -     | - |
| 70              | -     | -       | 220,0 | -           | -     | -            | -    | -    | - | -    | 204,0 | -     | - |
| 74              | -     | -       | 210,0 | -           | -     | -            | -    | -    | - | -    | 198,0 | -     | - |
| 76              | -     | -       | 207,0 | -           | -     | -            | -    | -    | - | -    | 195,5 | -     | - |
| 78              | -     | -       | -     | -           | -     | -            | -    | -    | - | -    | 193,0 | -     | - |
| 82              | -     | -       | -     | 183,0       | -     | -            | -    | -    | - | -    | 181,0 | -     | - |
| 86              | -     | -       | -     | 173,0       | -     | -            | -    | -    | - | -    | 165,0 | -     | - |
| 90              | -     | -       | -     | 163,0       | -     | -            | -    | -    | - | -    | 151,0 | -     | - |
| 94              | -     | -       | -     | 154,0       | -     | -            | -    | -    | - | -    | 138,0 | -     | - |
| 98              | -     | -       | -     | -           | -     | -            | -    | -    | - | -    | 127,0 | -     | - |
| 102             | -     | -       | -     | -           | -     | -            | -    | -    | - | -    | 116,0 | -     | - |
| 104             | -     | -       | -     | -           | 113,0 | -            | -    | -    | - | -    | 111,0 | -     | - |
| 106             | -     | -       | -     | -           | 110,0 | -            | -    | -    | - | -    | 106,0 | -     | - |
| 110             | -     | -       | -     | -           | 105,0 | -            | -    | -    | - | -    | 97,0  | -     | - |
| 114             | -     | -       | -     | -           | -     | -            | -    | -    | - | -    | 88,5  | -     | - |
| 118             | -     | -       | -     | -           | -     | -            | -    | -    | - | -    | 80,5  | -     | - |
| 122             | -     | -       | -     | -           | -     | -            | -    | -    | - | -    | 70,5  | -     | - |
| 124             | -     | -       | -     | -           | -     | -            | -    | -    | - | 70,0 | 65,5  | -     | - |
| 126             | -     | -       | -     | -           | -     | -            | -    | -    | - | 68,0 | 60,5  | -     | - |
| 130             | -     | -       | -     | -           | -     | -            | -    | -    | - | -    | 50,5  | -     | - |
| 134             | -     | -       | -     | -           | -     | -            | -    | -    | - | -    | 41,1  | -     | - |
| 138             | -     | -       | -     | -           | -     | -            | -    | -    | - | -    | 32,1  | -     | - |
| 28              | -     | 189,0*  | -     | -           | -     | -            | -    | -    | - | -    | -     | -     | - |
| 30              | -     | 185,0*  | -     | -           | -     | -            | -    | -    | - | -    | -     | -     | - |
| 34              | -     | 177,0*  | -     | -           | -     | -            | -    | -    | - | -    | -     | -     | - |
| 36              | 112,0 | 194,0   | -     | -           | -     | -            | -    | -    | - | -    | -     | 191,0 | - |
| 38              | 105,0 | 192,0   | -     | -           | -     | -            | -    | -    | - | -    | -     | 191,0 | - |
| 42              | 93,5  | 186,0   | -     | -           | -     | -            | -    | -    | - | -    | -     | 191,0 | - |
| 46              | 83,5  | 179,0   | -     | -           | -     | -            | -    | -    | - | -    | -     | 191,0 | - |
| 50              | 75,0  | 172,0   | -     | -           | -     | -            | -    | -    | - | -    | -     | 191,0 | - |
| 54              | 67,5  | 166,0   | -     | -           | -     | -            | -    | -    | - | -    | -     | 191,0 | - |
| 58              | 61,0  | 161,0   | -     | -           | -     | -            | -    | -    | - | -    | -     | 190,0 | - |
| 62              | 55,0  | 156,0   | -     | -           | -     | -            | -    | -    | - | -    | -     | 187,0 | - |
| 64              | 52,0  | 153,0   | 192,0 | -           | -     | -            | -    | -    | - | -    | -     | 185,0 | - |
| 66              | 49,9  | 151,0   | 192,0 | -           | -     | -            | -    | -    | - | -    | -     | 183,0 | - |
| 70              | 45,2  | 146,0   | 189,0 | -           | -     | -            | -    | -    | - | -    | -     | 179,0 | - |
| 74              | -     | -       | 185,0 | -           | -     | -            | -    | -    | - | -    | -     | 175,0 | - |
| 78              | -     | -       | 180,0 | -           | -     | -            | -    | -    | - | -    | -     | 171,0 | - |
| 82              | -     | -       | 176,0 | -           | -     | -            | -    | -    | - | -    | -     | 165,0 | - |
| 86              | -     | -       | 170,0 | -           | -     | -            | -    | -    | - | -    | -     | 161,0 | - |
| 88              | -     | -       | 167,0 | -           | -     | -            | -    | -    | - | -    | -     | 159,0 | - |
| 90              | -     | -       | -     | 161,0       | -     | -            | -    | -    | - | -    | -     | 157,0 | - |
| 94              | -     | -       | -     | 152,0       | -     | -            | -    | -    | - | -    | -     | 145,0 | - |
| 98              | -     | -       | -     | 144,0       | -     | -            | -    | -    | - | -    | -     | 133,0 | - |
| 102             | -     | -       | -     | 137,0       | -     | -            | -    | -    | - | -    | -     | 122,0 | - |
| 106             | -     | -       | -     | 130,0       | -     | -            | -    | -    | - | -    | -     | 112,0 | - |
| 110             | -     | -       | -     | -           | -     | -            | -    | -    | - | -    | -     | 103,0 | - |
| 114             | -     | -       | -     | -           | -     | -            | -    | 96,5 | - | -    | -     | 94,0  | - |
| 118             | -     | -       | -     | -           | -     | -            | -    | 92,0 | - | -    | -     | 86,0  | - |
| 122             | -     | -       | -     | -           | -     | -            | -    | 87,5 | - | -    | -     | 78,5  | - |
| 126             | -     | -       | -     | -           | -     | -            | -    | -    | - | -    | -     | 71,5  | - |
| 130             | -     | -       | -     | -           | -     | -            | -    | -    | - | -    | -     | 62,5  | - |
| 134             | -     | -       | -     | -           | -     | -            | -    | -    | - | -    | 57,0  | 53,5  | - |
| 136             | -     | -       | -     | -           | -     | -            | -    | -    | - | 55,5 | 49,2  | -     | - |
| 138             | -     | -       | -     | -           | -     | -            | -    | -    | - | -    | 45,0  | -     | - |
| 142             | -     | -       | -     | -           | -     | -            | -    | -    | - | -    | 36,4  | -     | - |
| 146             | -     | -       | -     | -           | -     | -            | -    | -    | - | -    | 28,0  | -     | - |
| 150             | -     | -       | -     | -           | -     | -            | -    | -    | - | -    | 20,9  | -     | - |

6 m steps of luffing jib is standard · 6 m Stufung der Wippe ist Standard · Des paliers de 6 m sont de série pour la fléchette

Main boom angle 88°, 85°, 75°, 65°, 55° and 45°; capacities for intermediate boom positions are calculated by the crane control system IC-1  
Hauptauslegerwinkel 88°, 85°, 75°, 65°, 55° und 45°; Traglasten für Zwischenstellungen des Hauptauslegers werden von der Kransteuerung IC-1 berechnet

Jarret de flèche principale 88°, 85°, 75°, 65°, 55° et 45° ; le système de commande de la grue IC-1 calcule les charges pour les positions intermédiaires de la flèche

\* Main boom angle 88° · Hauptauslegerwinkel 88° · Jarret de flèche principale 88°



| 295 t + 60 t ZB |      | 19-30 m |       | 10,5 m      |      | 9.8 m/s      |      | 360° |       | ISO |  |  |
|-----------------|------|---------|-------|-------------|------|--------------|------|------|-------|-----|--|--|
| 108 m + 72 m    |      |         |       |             |      | 108 m + 84 m |      |      |       |     |  |  |
|                 |      | SWSL    |       |             |      |              | SFSL |      |       |     |  |  |
|                 |      | 0 t     |       | 0 t - 640 t |      |              |      |      |       |     |  |  |
|                 |      | 85°     | 85°   | 75°         | 65°  | 55°          | 45°  |      |       |     |  |  |
| m               | t    | t       | t     | t           | t    | t            | t    | t    | t     |     |  |  |
| 30              | -    | 155,0*  | -     | -           | -    | -            | -    | -    | -     |     |  |  |
| 34              | -    | 151,0*  | -     | -           | -    | -            | -    | -    | -     |     |  |  |
| 38              | -    | 146,0*  | -     | -           | -    | -            | -    | -    | -     |     |  |  |
| 40              | 90,5 | 159,0   | -     | -           | -    | -            | -    | -    | 156,0 |     |  |  |
| 42              | 85,0 | 158,0   | -     | -           | -    | -            | -    | -    | 156,0 |     |  |  |
| 46              | 75,5 | 153,0   | -     | -           | -    | -            | -    | -    | 156,0 |     |  |  |
| 50              | 67,5 | 148,0   | -     | -           | -    | -            | -    | -    | 156,0 |     |  |  |
| 54              | 60,0 | 143,0   | -     | -           | -    | -            | -    | -    | 156,0 |     |  |  |
| 58              | 54,0 | 139,0   | -     | -           | -    | -            | -    | -    | 156,0 |     |  |  |
| 62              | 48,3 | 134,0   | -     | -           | -    | -            | -    | -    | 156,0 |     |  |  |
| 66              | 43,3 | 130,0   | -     | -           | -    | -            | -    | -    | 154,0 |     |  |  |
| 70              | 38,7 | 126,0   | 156,0 | -           | -    | -            | -    | -    | 152,0 |     |  |  |
| 74              | 34,6 | 123,0   | 155,0 | -           | -    | -            | -    | -    | 149,0 |     |  |  |
| 78              | 30,8 | 119,0   | 153,0 | -           | -    | -            | -    | -    | 147,0 |     |  |  |
| 80              | 29,1 | 118,0   | 152,0 | -           | -    | -            | -    | -    | 145,5 |     |  |  |
| 82              | -    | -       | 151,0 | -           | -    | -            | -    | -    | 144,0 |     |  |  |
| 86              | -    | -       | 148,0 | -           | -    | -            | -    | -    | 141,0 |     |  |  |
| 90              | -    | -       | 145,0 | -           | -    | -            | -    | -    | 136,0 |     |  |  |
| 94              | -    | -       | 142,0 | -           | -    | -            | -    | -    | 133,0 |     |  |  |
| 98              | -    | -       | 139,0 | 126,0       | -    | -            | -    | -    | 130,0 |     |  |  |
| 100             | -    | -       | 136,0 | 126,0       | -    | -            | -    | -    | 127,5 |     |  |  |
| 102             | -    | -       | -     | 126,0       | -    | -            | -    | -    | 125,0 |     |  |  |
| 106             | -    | -       | -     | 123,0       | -    | -            | -    | -    | 114,0 |     |  |  |
| 110             | -    | -       | -     | 118,0       | -    | -            | -    | -    | 105,0 |     |  |  |
| 114             | -    | -       | -     | 113,0       | -    | -            | -    | -    | 96,5  |     |  |  |
| 118             | -    | -       | -     | 107,0       | -    | -            | -    | -    | 88,0  |     |  |  |
| 122             | -    | -       | -     | -           | 81,5 | -            | -    | -    | 80,5  |     |  |  |
| 126             | -    | -       | -     | -           | 77,5 | -            | -    | -    | 73,5  |     |  |  |
| 130             | -    | -       | -     | -           | 74,0 | -            | -    | -    | 66,5  |     |  |  |
| 134             | -    | -       | -     | -           | 71,0 | -            | -    | -    | 60,0  |     |  |  |
| 138             | -    | -       | -     | -           | -    | -            | -    | -    | 52,5  |     |  |  |
| 142             | -    | -       | -     | -           | -    | -            | -    | -    | 44,5  |     |  |  |
| 144             | -    | -       | -     | -           | -    | -            | -    | 43,3 | 40,6  |     |  |  |
| 146             | -    | -       | -     | -           | -    | -            | -    | 42,0 | 36,7  |     |  |  |
| 148             | -    | -       | -     | -           | -    | -            | -    | 40,7 | 32,9  |     |  |  |
| 150             | -    | -       | -     | -           | -    | -            | -    | -    | 29,1  |     |  |  |
| 154             | -    | -       | -     | -           | -    | -            | -    | -    | 21,5  |     |  |  |
| 158             | -    | -       | -     | -           | -    | -            | -    | -    | 14,1  |     |  |  |
| 34              | -    | 126,0*  | -     | -           | -    | -            | -    | -    | -     |     |  |  |
| 38              | -    | 124,0*  | -     | -           | -    | -            | -    | -    | -     |     |  |  |
| 42              | -    | 120,0*  | -     | -           | -    | -            | -    | -    | -     |     |  |  |
| 44              | 69,5 | 129,0   | -     | -           | -    | -            | -    | -    | 127,0 |     |  |  |
| 46              | 65,0 | 128,0   | -     | -           | -    | -            | -    | -    | 127,0 |     |  |  |
| 50              | 57,5 | 125,0   | -     | -           | -    | -            | -    | -    | 127,0 |     |  |  |
| 54              | 50,5 | 121,0   | -     | -           | -    | -            | -    | -    | 127,0 |     |  |  |
| 58              | 44,6 | 118,0   | -     | -           | -    | -            | -    | -    | 127,0 |     |  |  |
| 62              | 39,2 | 114,0   | -     | -           | -    | -            | -    | -    | 127,0 |     |  |  |
| 66              | 34,3 | 111,0   | -     | -           | -    | -            | -    | -    | 127,0 |     |  |  |
| 70              | 29,9 | 107,0   | -     | -           | -    | -            | -    | -    | 125,0 |     |  |  |
| 74              | 26,0 | 104,0   | -     | -           | -    | -            | -    | -    | 123,0 |     |  |  |
| 76              | 24,1 | 103,0   | 123,0 | -           | -    | -            | -    | -    | 121,5 |     |  |  |
| 78              | 22,3 | 101,0   | 123,0 | -           | -    | -            | -    | -    | 120,0 |     |  |  |
| 82              | 19,1 | 98,5    | 122,0 | -           | -    | -            | -    | -    | 118,0 |     |  |  |
| 86              | 16,0 | 95,7    | 121,0 | -           | -    | -            | -    | -    | 116,0 |     |  |  |
| 90              | 13,3 | 93,0    | 119,0 | -           | -    | -            | -    | -    | 113,0 |     |  |  |
| 92              | 12,0 | 91,5    | 118,0 | -           | -    | -            | -    | -    | 112,0 |     |  |  |
| 94              | -    | -       | 117,0 | -           | -    | -            | -    | -    | 111,0 |     |  |  |
| 98              | -    | -       | 115,0 | -           | -    | -            | -    | -    | 107,0 |     |  |  |
| 102             | -    | -       | 113,0 | -           | -    | -            | -    | -    | 103,0 |     |  |  |
| 106             | -    | -       | 110,0 | 104,0       | -    | -            | -    | -    | 101,0 |     |  |  |
| 110             | -    | -       | 108,0 | 104,0       | -    | -            | -    | -    | 98,5  |     |  |  |
| 114             | -    | -       | -     | 103,0       | -    | -            | -    | -    | 94,0  |     |  |  |
| 118             | -    | -       | -     | 98,0        | -    | -            | -    | -    | 85,5  |     |  |  |
| 122             | -    | -       | -     | 93,5        | -    | -            | -    | -    | 78,0  |     |  |  |
| 126             | -    | -       | -     | 89,0        | -    | -            | -    | -    | 70,5  |     |  |  |
| 128             | -    | -       | -     | 87,0        | -    | -            | -    | -    | 67,2  |     |  |  |
| 130             | -    | -       | -     | -           | -    | -            | -    | -    | 64,0  |     |  |  |
| 132             | -    | -       | -     | -           | 62,5 | -            | -    | -    | 61,0  |     |  |  |
| 134             | -    | -       | -     | -           | 61,0 | -            | -    | -    | 58,0  |     |  |  |
| 138             | -    | -       | -     | -           | 57,5 | -            | -    | -    | 53,0  |     |  |  |
| 142             | -    | -       | -     | -           | 55,0 | -            | -    | -    | 45,6  |     |  |  |
| 144             | -    | -       | -     | -           | 54,0 | -            | -    | -    | 41,9  |     |  |  |
| 146             | -    | -       | -     | -           | -    | -            | -    | -    | 38,2  |     |  |  |
| 150             | -    | -       | -     | -           | -    | -            | -    | -    | 31,1  |     |  |  |
| 154             | -    | -       | -     | -           | -    | -            | -    | 26,3 | 24,2  |     |  |  |
| 158             | -    | -       | -     | -           | -    | -            | -    | 24,2 | 17,4  |     |  |  |
| 160             | -    | -       | -     | -           | -    | -            | -    | 23,2 | 14,1  |     |  |  |
| 162             | -    | -       | -     | -           | -    | -            | -    | -    | 10,8  |     |  |  |

6 m steps of luffing jib is standard · 6 m Stufung der Wippe ist Standard · Des paliers de 6 m sont de série pour la fléchette

Main boom angle 88°, 85°, 75°, 65°, 55° and 45°; capacities for intermediate boom positions are calculated by the crane control system IC-1  
Hauptauslegerwinkel 88°, 85°, 75°, 65°, 55° und 45°; Traglasten für Zwischenstellungen des Hauptauslegers werden von der Kransteuerung IC-1 berechnet

Jarret de flèche principale 88°, 85°, 75°, 65°, 55° et 45° ; le système de commande de la grue IC-1 calcule les charges pour les positions intermédiaires de la flèche

\* Main boom angle 88° · Hauptauslegerwinkel 88° · Jarret de flèche principale 88°

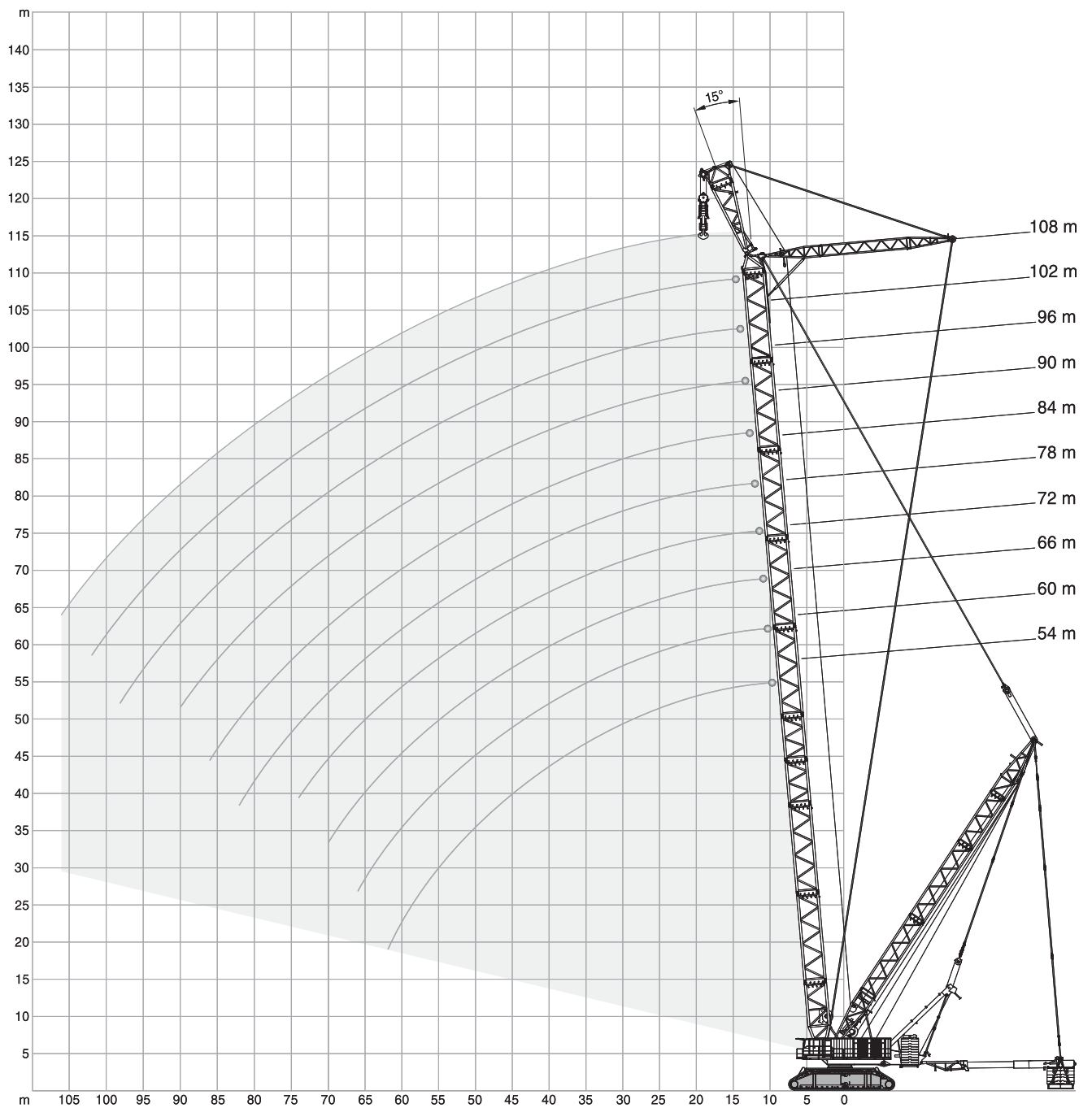
| 295 t + 60 t ZB |  | 19-30 m |  | 10,5 m      |  | 9.8 m/s       |  | 360° |  | ISO  |  |       |  |
|-----------------|--|---------|--|-------------|--|---------------|--|------|--|------|--|-------|--|
| 108 m + 96 m    |  |         |  |             |  | 108 m + 108 m |  |      |  |      |  |       |  |
|                 |  | SWSL    |  |             |  |               |  | SFSL |  |      |  |       |  |
|                 |  | 0 t     |  | 0 t - 640 t |  |               |  |      |  |      |  |       |  |
|                 |  | 85°     |  | 85°         |  | 75°           |  | 65°  |  | 55°  |  | 45°   |  |
|                 |  | m       |  | t           |  | t             |  | t    |  | t    |  | t     |  |
|                 |  | 38      |  | -           |  | 102,0*        |  | -    |  | -    |  | -     |  |
|                 |  | 42      |  | -           |  | 100,0*        |  | -    |  | -    |  | -     |  |
|                 |  | 46      |  | -           |  | 98,0*         |  | -    |  | -    |  | -     |  |
|                 |  | 48      |  | 53,5        |  | 104,0         |  | -    |  | -    |  | 103,0 |  |
|                 |  | 50      |  | 49,9        |  | 104,0         |  | -    |  | -    |  | 103,0 |  |
|                 |  | 54      |  | 43,3        |  | 101,0         |  | -    |  | -    |  | 103,0 |  |
|                 |  | 58      |  | 37,4        |  | 99,5          |  | -    |  | -    |  | 103,0 |  |
|                 |  | 62      |  | 32,3        |  | 97,0          |  | -    |  | -    |  | 103,0 |  |
|                 |  | 66      |  | 27,5        |  | 94,0          |  | -    |  | -    |  | 102,0 |  |
|                 |  | 68      |  | 25,4        |  | 92,5          |  | -    |  | -    |  | 102,0 |  |
|                 |  | 70      |  | 23,3        |  | 91,5          |  | -    |  | -    |  | 102,0 |  |
|                 |  | 74      |  | 19,5        |  | 89,0          |  | -    |  | -    |  | 101,0 |  |
|                 |  | 78      |  | 16,0        |  | 86,5          |  | -    |  | -    |  | 99,5  |  |
|                 |  | 82      |  | 12,8        |  | 83,7          |  | 98,0 |  | -    |  | 98,0  |  |
|                 |  | 84      |  | 11,3        |  | 82,5          |  | 98,0 |  | -    |  | 97,0  |  |
|                 |  | 86      |  | -           |  | 81,5          |  | 98,0 |  | -    |  | 96,0  |  |
|                 |  | 90      |  | -           |  | 79,2          |  | 97,5 |  | -    |  | 94,5  |  |
|                 |  | 94      |  | -           |  | 77,0          |  | 97,0 |  | -    |  | 92,5  |  |
|                 |  | 98      |  | -           |  | 74,7          |  | 95,5 |  | -    |  | 91,0  |  |
|                 |  | 102     |  | -           |  | 72,5          |  | 94,5 |  | -    |  | 89,5  |  |
|                 |  | 104     |  | -           |  | 71,5          |  | 94,0 |  | -    |  | 88,5  |  |
|                 |  | 106     |  | -           |  | -             |  | 93,0 |  | -    |  | 87,5  |  |
|                 |  | 110     |  | -           |  | -             |  | 92,0 |  | -    |  | 84,0  |  |
|                 |  | 114     |  | -           |  | -             |  | 90,0 |  | 83,0 |  | 82,0  |  |
|                 |  | 118     |  | -           |  | -             |  | 88,5 |  | 83,0 |  | 80,0  |  |
|                 |  | 122     |  | -           |  | -             |  | 87,0 |  | 83,0 |  | 78,5  |  |
|                 |  | 126     |  | -           |  | -             |  | -    |  | 83,0 |  | 72,5  |  |
|                 |  | 130     |  | -           |  | -             |  | -    |  | 79,5 |  | 65,5  |  |
|                 |  | 134     |  | -           |  | -             |  | -    |  | 75,5 |  | 59,0  |  |
|                 |  | 138     |  | -           |  | -             |  | -    |  | 72,0 |  | 54,0  |  |
|                 |  | 140     |  | -           |  | -             |  | -    |  | 70,5 |  | 51,7  |  |
|                 |  | 142     |  | -           |  | -             |  | -    |  | 51,0 |  | 49,4  |  |
|                 |  | 146     |  | -           |  | -             |  | -    |  | 48,6 |  | 42,7  |  |
|                 |  | 150     |  | -           |  | -             |  | -    |  | 46,3 |  | 35,9  |  |
|                 |  | 154     |  | -           |  | -             |  | -    |  | 43,4 |  | 29,2  |  |
|                 |  | 156     |  | -           |  | -             |  | -    |  | 42,0 |  | 26,0  |  |
|                 |  | 158     |  | -           |  | -             |  | -    |  | -    |  | 22,8  |  |
|                 |  | 162     |  | -           |  | -             |  | -    |  | -    |  | 16,5  |  |
|                 |  | 164     |  | -           |  | -             |  | -    |  | -    |  | 15,0  |  |
|                 |  | 166     |  | -           |  | -             |  | -    |  | -    |  | 14,1  |  |
|                 |  | 170     |  | -           |  | -             |  | -    |  | -    |  | 12,3  |  |

6 m steps of luffing jib is standard · 6 m Stufung der Wippe ist Standard · Des paliers de 6 m sont de série pour la fléchette

Main boom angle 88°, 85°, 75°, 65°, 55° and 45°; capacities for intermediate boom positions are calculated by the crane control system IC-1  
 Hauptauslegerwinkel 88°, 85°, 75°, 65°, 55° und 45°; Traglasten für Zwischenstellungen des Hauptauslegers werden von der Kransteuerung IC-1 berechnet

Jarret de flèche principale 88°, 85°, 75°, 65°, 55° et 45° ; le système de commande de la grue IC-1 calcule les charges pour les positions intermédiaires de la flèche

\* Main boom angle 88° · Hauptauslegerwinkel 88° · Jarret de flèche principale 88°



|     | 54 m   | 60 m  | 66 m  | 72 m  | 78 m  | 84 m  | 90 m  | 96 m  | 102 m | 108 m |     |  |
|-----|--------|-------|-------|-------|-------|-------|-------|-------|-------|-------|-----|--|
| m   | t      | t     | t     | t     | t     | t     | t     | t     | t     | t     | m   |  |
| 14  | 1071,0 | -     | -     | -     | -     | -     | -     | -     | -     | -     | 14  |  |
| 16  | 1007,0 | 983,0 | 972,0 | 876,0 | 793,0 | -     | -     | -     | -     | -     | 16  |  |
| 18  | 951,0  | 934,0 | 972,0 | 876,0 | 793,0 | 710,0 | 637,0 | 572,0 | -     | -     | 18  |  |
| 20  | 901,0  | 890,0 | 946,0 | 876,0 | 793,0 | 710,0 | 637,0 | 572,0 | 516,0 | 464,0 | 20  |  |
| 22  | 857,0  | 850,0 | 904,0 | 876,0 | 793,0 | 710,0 | 637,0 | 572,0 | 516,0 | 464,0 | 22  |  |
| 24  | 817,0  | 814,0 | 866,0 | 855,0 | 793,0 | 710,0 | 637,0 | 572,0 | 516,0 | 464,0 | 24  |  |
| 26  | 781,0  | 781,0 | 831,0 | 831,0 | 771,0 | 707,0 | 637,0 | 572,0 | 516,0 | 464,0 | 26  |  |
| 28  | 748,0  | 751,0 | 798,0 | 801,0 | 764,0 | 700,0 | 634,0 | 572,0 | 516,0 | 464,0 | 28  |  |
| 30  | 718,0  | 723,0 | 751,0 | 745,0 | 739,0 | 689,0 | 630,0 | 570,0 | 515,0 | 464,0 | 30  |  |
| 34  | 663,0  | 657,0 | 651,0 | 645,0 | 639,0 | 633,0 | 623,0 | 563,0 | 513,0 | 461,0 | 34  |  |
| 38  | 584,0  | 578,0 | 572,0 | 566,0 | 560,0 | 554,0 | 549,0 | 543,0 | 507,0 | 459,0 | 38  |  |
| 42  | 510,0  | 514,0 | 508,0 | 502,0 | 496,0 | 490,0 | 484,0 | 478,0 | 473,0 | 438,0 | 42  |  |
| 46  | 438,0  | 462,0 | 455,0 | 449,0 | 443,0 | 437,0 | 431,0 | 425,0 | 419,0 | 413,0 | 46  |  |
| 50  | 377,0  | 406,0 | 409,0 | 403,0 | 397,0 | 391,0 | 386,0 | 380,0 | 374,0 | 368,0 | 50  |  |
| 54  | 334,0  | 352,0 | 371,0 | 365,0 | 358,0 | 352,0 | 347,0 | 341,0 | 335,0 | 329,0 | 54  |  |
| 58  | 291,0  | 305,0 | 326,0 | 331,0 | 325,0 | 319,0 | 313,0 | 307,0 | 302,0 | 295,0 | 58  |  |
| 62  | 245,0  | 273,0 | 284,0 | 300,0 | 297,0 | 290,0 | 285,0 | 278,0 | 273,0 | 266,0 | 62  |  |
| 66  | -      | 237,0 | 246,0 | 263,0 | 272,0 | 265,0 | 259,0 | 253,0 | 247,0 | 241,0 | 66  |  |
| 70  | -      | -     | 225,0 | 229,0 | 242,0 | 243,0 | 237,0 | 231,0 | 225,0 | 219,0 | 70  |  |
| 74  | -      | -     | -     | 201,0 | 212,0 | 220,0 | 218,0 | 212,0 | 206,0 | 199,0 | 74  |  |
| 78  | -      | -     | -     | -     | 184,0 | 194,0 | 200,0 | 194,0 | 188,0 | 182,0 | 78  |  |
| 82  | -      | -     | -     | -     | 166,0 | 169,0 | 177,0 | 179,0 | 173,0 | 166,0 | 82  |  |
| 86  | -      | -     | -     | -     | -     | 147,0 | 155,0 | 159,0 | 159,0 | 152,0 | 86  |  |
| 90  | -      | -     | -     | -     | -     | -     | 134,0 | 139,0 | 142,0 | 139,0 | 90  |  |
| 94  | -      | -     | -     | -     | -     | -     | -     | 120,0 | 124,0 | 125,0 | 94  |  |
| 98  | -      | -     | -     | -     | -     | -     | -     | 105,0 | 108,0 | 109,0 | 98  |  |
| 102 | -      | -     | -     | -     | -     | -     | -     | -     | 91,5  | 94,0  | 102 |  |
| 106 | -      | -     | -     | -     | -     | -     | -     | -     | -     | 79,5  | 106 |  |

## Anmerkungen zu den Tragfähigkeiten · Conditions d'utilisation

Ratings are in compliance with ISO 4305.

Weight of hook blocks and slings is part of the load, and is to be deducted from the capacity ratings. Consult operation manual for further details.

**Note:** Data published herein is intended as a guide only and shall not be construed to warrant applicability for lifting purposes. Crane operation is subject to the computer charts and operation manual both supplied with the crane.

In some instances the superlift counterweight does not lift off the ground with the indicated load.

---

Tragfähigkeiten entsprechen ISO 4305.

Das Gewicht der Unterflaschen, sowie die Lastaufnahmemittel, sind Bestandteile der Last und sind von den Tragfähigkeitsangaben abzuziehen.

Weitere Angaben in der Bedienungsanleitung des Kranes.

**Anmerkung:** Die Daten dieser Broschüre dienen nur zur allgemeinen Information; für ihre Richtigkeit übernehmen wir keine Haftung. Der Betrieb des Kranes ist nur mit den Original-Tragfähigkeitstabellen und mit der Bedienungsanleitung zulässig, die mit dem Kran mitgeliefert werden.

In einigen Fällen hebt das Superliftgegengewicht bei den angegebenen Traglasten nicht ab.

---

Le tableau de charges est conforme à la norme ISO 4305.

Les poids du crochet-moufle et de tous les accessoires d'élingage font partie de la charge et sont à déduire des charges indiquées. Pour plus de détails consulter la notice d'utilisation de la grue.

**Nota:** Les renseignements ci-inclus sont donnés à titre indicatif et ne représentent aucune garantie d'utilisation pour les opérations de levage.

La mise en service de la grue n'est autorisée qu'à condition que les tableaux de charges ainsi que le manuel de service, tels que fournis avec la grue, soient observés.

Le contrepoids du superlift ne décolle pas dans certaines configurations des tableaux de charge.

## Crawler Carrier

|                            |   |
|----------------------------|---|
|                            | 5-section carrier comprising car body, two cross axles and two split-type crawler side frames. Car body, cross axles and side frames are pin-connected hydraulically. Track width: 10.5 m.  |
| <b>Car body</b>            | Bending- and torsion-resistant welded structure fabricated from high-strength fine grain structural steel. Quick-disconnect fittings (optional) facilitate removal of slew ring from car body to minimise weight for transportation.  |
| <b>Cross axles</b>         | Bending- and torsion-resistant welded structure fabricated from high-strength fine grain structural steel incl. hydraulic jack legs.  |
| <b>Crawler side frames</b> | Bending- and torsion-resistant welded structure fabricated from high-strength fine grain structural steel. Split-type side frames to minimise weight for transportation. Centralised lubrication included as standard.  |
| <b>Crawlers</b>            | Crawler pads made of heat-treated high-strength cast steel. 15 rollers per crawler with hardened rolling surfaces.  |
| <b>Drive</b>               | The crawlers are each driven by two hydraulic motors through closed planetary gear reduction units running in oil bath, equipped with spring loaded, hydraulically released holding brakes. Each crawler provides independent, infinitely variable control and counter-rotation capability. Quadro-Drive as standard. |
| <b>Slew unit</b>           | Four slew gearboxes in car body powered by hydraulic motors through closed planetary gear units running in oil bath. Spring loaded, hydraulically released holding brake and non-wearing hydraulic braking.   |

## Superstructure

|                                 |   |
|---------------------------------|---|
| <b>Counterweight</b>            | 295 t in combination with 60 t central ballast.   |
| <b>Frame</b>                    | Torsion-resistant welded structure fabricated from high-strength fine grain structural steel. Longitudinal beam construction to accommodate three rope drums and boom hoist. Split-type superstructure for ease of transportation.  |
| <b>Power and control module</b> | Two independent drive units incl. pump distribution gearbox and pumps are contained in a separate module which is connected to the side of the superstructure. Power comes from a MTU diesel engine type OM 502 LA. Output to DIN 70020: 380 kW (516 HP) at 2000 <sup>1</sup> /min, torque 2400 Nm at 1080 <sup>1</sup> /min. The engine complies with EUROMOT 3a, EPA T3 and Carb regulations. Pump distribution gearbox with five variable displacement axial piston pumps and gear pumps. The power and control module includes cabin, complete electrics and electric generators as standard. Fuel tank capacity: 2000 l. |
| <b>Rope drums</b>               | Standard superstructure equipment includes three rope drums – hoist 1, hoist 2 and boom hoist. Rope drums powered through closed planetary gear units running in oil bath. All rope drums have hydraulically released multi-disc brakes and non-wearing hydraulic braking for load lowering. Rope ends of all drums provided with quick-connect rope end fittings. Hydraulically pinned hoists H1 and H2 (optional H3) can be removed in order to minimise weight for transportation.   |
| <b>Control system</b>           | Terex IC-1: Electronic proportional valve pilot control integrated in stored-program control system incl. diagnostic. Two multi-color monitors, load indicator operated via a touch screen. Working speeds infinitely variable controlled by the lever position. Automatic power control for optimal utilisation of engine output. Standard working range limitation and ground pressure indicator.   |
| <b>Cabin</b>                    | Spacious comfortable cab located at front end of power module. Large laminated glass for front and roof windows, computerised air conditioner as standard and self-contained hot air heater. Front console includes instrumentation and crane controls as well as two graphic displays. It can be tilted back, together with the operator seat, for an improved operator view of the boom point. Camera systems for monitoring the rope drums and SL ballast, hour meter, load moment indicator, two working lights, storage cabinets and refrigerator are included as standard.  |
| <b>Electrical equipment</b>     | 24 V system (2 batteries 12 V / 180 Ah).<br>3-phase alternator 24 V, 80 A.<br>Plus 3-phase generator 400 V 50 Hz 20 kVA for air conditioner, heater, lighting and multiple use on the job site.<br>Emergency generator 400 V 50 Hz 16 kVA.  |
| <b>Quick-connection</b>         | Hydraulic quick-disconnect fittings on superstructure and carrier as standard.  |

## Optional Equipment

|                              |  |
|------------------------------|--|
| <b>Counterweight carrier</b> | The counterweight carrier with a max. total weight of 640 t is adjustable from 19 m to 25 m or from 24 m to 30 m from the centre of rotation, and can be operated in the circular path, trailing and $\pm 30^\circ$ parallel travel modes. Deadweight 130 t, strips down to three components for easy transport. |
|------------------------------|--|

**Superlift counterweights**

**Further options on request!**

## Boom Configurations

|                              |   |
|------------------------------|---|
| <b>General</b>               | Tubular chord lattice structure fabricated from high-strength fine grain structural steel. Walkways on boom, jib and mast. Hydraulic pinning.   |
| <b>SSL</b>                   | Main boom: foot section 10 m, inserts 6 m and 12 m, boom head 2 m with 2 sheave-sets.<br>Superlift equipment.<br>Main boom lengths: 54-108 m.   |
| <b>HSSL</b>                  | Main boom: Using the heavy sections of main boom<br>Superlift equipment.<br>Main boom lengths: 48-84 m.   |
| <b>SSL / LSL (SGL 108 m)</b> | Main boom: foot section 10 m, inserts 6 m and 12 m, extended by jib inserts 6 m and 12 m, heavy-lift top 2 m with 1 sheave-set from main boom SSL.<br>Superlift equipment.<br>Main boom lengths: 114-156 m  |
| <b>SWSL</b>                  | Main boom: same as SSL. Offset 88° to 45°.<br>Luffing fly jib: foot section 10 m, inserts 6 m and 12 m, heavy-lift top 2 m with 1 sheave-set from main boom SSL.<br>Superlift equipment.<br>Main boom lengths: 54-108 m<br>Jib lengths: 36-108 m. |
| <b>SFSL</b>                  | Same as SWSL.<br>Offset fly jib 15°.  |
| <b>SFVL</b>                  | Main boom: same as SSL.<br>Fixed fly jib: foot section 10 m, heavy-lift top 2 m with 2 sheave-sets from main boom SSL.<br>Superlift equipment.<br>Main boom lengths: 54-108 m<br>Jib length: 12 m<br>Offset: 15°                                  |
| <b>Pinning of boom</b>       | Hydraulic assisted pinning of boom sections as standard.  |
| <b>Reeving winch</b>         | Mounted on superstructure as standard.  |
| <b>Operator aids</b>         | Electronic load indicator, hoist limit switch, limit switches for boom movements, hydraulic boom backstops, anemometer.   |

## Superlift Configurations

|                |  |
|----------------|--|
| <b>Tele-SL</b> | Mast 50 m (type 2621), counterweight tray 640 t or counterweight carrier for max. 640 t optional.<br>Superlift radius infinitely variable during operation: 19 m to 25 m with a mast radius of 22 m and 24 m to 30 m with a mast radius of 26.4 m. |
|----------------|--|

## Optional Equipment

|                                    |   |
|------------------------------------|---|
| <b>Runner equipment 3 m – 70 t</b> | For 2 lines, mounted on main boom or jib heads.<br>Distance to sheave set in steep boom position approx. 1.3 m.<br>Lifting capacity: max. 70 t. |
| <b>Hoist H3</b>                    | Mounted on superstructure.  |
| <b>Fire suppression system</b>     | Automatic fire suppression system incl. shutters at container.  |
| <b>Fire detection system</b>       | Detection only.   |
| <b>Bunk bed in cabin</b>           | Foldable bunk-bed.  |
| <b>Folding seats in cabin</b>      | Two folding sets in cabin.  |
| <b>Fall protection</b>             | For main boom, jib and SL mast.   |

## Raupenunterwagen

Der Raupenunterwagen ist 5-teilig und besteht aus einem Mittelstück, zwei Querträgern und zwei geteilten Raupenträgern. Raupenträger, Mittelstück und Querträger werden hydraulisch verbolzt. Die Spurbreite beträgt 10,5 m.

|                     |  |
|---------------------|--|
| <b>Mittelstück</b>  | Biege- und verwindungssteife Schweißkonstruktion aus hochfestem Feinkornbaustahl. Die Rollendrehverbindung sitzt am Mittelstück und ist mit Schnellspannmutter (optional) auf einfache Weise zur Reduzierung des Transportgewichtes lösbar.                    |
| <b>Querträger</b>   | Biege- und verwindungssteife Schweißkonstruktion aus hochfestem Feinkornbaustahl mit hydraulischer Abstützung.   |
| <b>Raupenträger</b> | Biege- und verwindungssteife Schweißkonstruktion aus hochfestem Feinkornbaustahl. Geteilter Raupenträger zur Minimierung der Transportgewichte. Zentralschmieranlage serienmäßig.  |
| <b>Raupen</b>       | Bodenplatten der Raupenketten aus vergütetem hochfesten Stahlguss. 15 Laufrollen je Raupe mit gehärteten Laufflächen.  |
| <b>Antrieb</b>      | Die Raupen werden von je zwei Hydromotoren über geschlossene, ölbadgeschmierte Planetengetriebe mit federbelasteten, hydraulisch gelüfteten Haltebremsen angetrieben. Jede Seite ist stufenlos, einzeln und gegenläufig steuerbar. Quadro-Antrieb serienmäßig. |
| <b>Drehwerk</b>     | Vier Drehwerke im Mittelstück mit Antrieb durch Hydromotor über geschlossenes, ölbadgeschmiertes Planetengetriebe. Federbelastete, hydraulisch gelüftete Haltebremse und verschleißfreie hydraulische Bremsung.  |

## Oberwagen

|                           |  |
|---------------------------|--|
| <b>Gegengewicht</b>       | 295 t in Verbindung mit 60 t Zentralballast.   |
| <b>Rahmen</b>             | Verformungssteife Schweißkonstruktion aus hochfestem Feinkornbaustahl. Die Längsträgerkonstruktion dient der Aufnahme von drei Winden und dem Einziehwerk. Aus Transportgründen ist der Oberwagen geteilt ausgeführt.  |
| <b>Antriebsmodul</b>      | Zwei voneinander unabhängige Antriebseinheiten samt Pumpenverteiler und Pumpen sitzen in einem separaten Modul, das seitlich am Oberwagen angebaut wird.<br>Antriebstyp: MTU Dieselmotor Typ OM 502 LA. Leistung nach DIN 70020: 380 kW (516 PS) bei 2000 1/min, Drehmoment 2400 Nm bei 1080 1/min. Der Motor erfüllt die EUROMOT 3a, EPA T3 und Carb-Vorschriften.<br>Pumpenverteilergetriebe mit fünf verstellbaren Axialkolbenpumpen und zusätzlichen Zahnradpumpen.<br>Im Antriebsmodul sind serienmäßig die Kabine, die gesamte Elektrik sowie die Stromerzeuger integriert.<br>Kraftstoffbehälter: 2000 l.                       |
| <b>Seilwinden</b>         | Der Oberwagen ist serienmäßig mit drei Seilwinden – Hubwerk 1, Hubwerk 2 und Einziehwerk – ausgerüstet. Der Antrieb der Winden erfolgt über geschlossene, ölbadgeschmierte Planetengetriebe. Alle Seilwinden sind mit, hydraulisch gelüfteten Lamellenbremsen und verschleißfreier hydraulischer Bremsung für den Senkvorgang ausgerüstet. Die Seilenden aller Winden sind mit Pressfitting und Taschen ausgestattet. Zur Reduzierung der Transportgewichte können die hydraulisch verbolzten Winden H1 und H2 (optional H3) ausgebaut werden.   |
| <b>Steuerung</b>          | Terex IC-1: Elektronische Proportionalventilvorsteuerung integriert in eine speicherprogrammierte Steuerung mit Fehlerdiagnose. Zwei Farbbildschirme, Bedienung über Touchscreen. Die Arbeitsgeschwindigkeiten werden durch die Hebelstellung stufenlos geregelt. Leistungsregelung der Antriebe zur optimalen Ausnutzung der Motorleistung. Serienmäßig Arbeitsbereichsbegrenzung und Anzeige der Bodenpressung.  |
| <b>Kabine</b>             | Die geräumige Komfortkabine ist im vorderen Bereich des Antriebsmoduls angeordnet. Sie ist mit großzügiger Sicherheitsverglasung auch im Dachbereich, computergesteuerter Klimaanlage serienmäßig und motorunabhängiger Warmluftheizung ausgestattet. Steuer- und Kontrollelemente für die Kranfunktionen sowie zwei Grafik-Displays befinden sich in der Frontkonsole. Diese ist zur Sichtverbesserung gemeinsam mit dem Fahrersitz nach hinten neigbar. Kamerasysteme für die Überwachung von Winden und SL-Ballast, Betriebsstundenzähler, Lastmomentanzeige, zwei Arbeitsscheinwerfer, Ablageschränke und Kühlschrank serienmäßig. |
| <b>Elektrische Anlage</b> | 24 V System (2 x Batterie 12 V / 180 Ah).<br>3-Phasen Wechselstromgenerator 24 V, 80 A.<br>Zusätzlich 3-Phasengenerator 400 V 50 Hz 20 KVA für Klimaanlage, Heizung, Beleuchtung und vielfältige Anwendungen auf der Baustelle.<br>Notstromaggregat 400 V 50 Hz 16 KVA.  |
| <b>Schnellverbindung</b>  | Hydraulische Schnellverbindung Oberwagen / Unterwagen serienmäßig.   |

## Zusatzrüstung

|  |   |
|--|---|
| <b>Gegengewichtswagen</b>                      | Der Gegengewichtswagen mit max. 640 t Gesamtgewicht kann von 19 m bis 25 m bzw. 24 m bis 30 m zur Drehmitte frei verstellbar und in den Fahrzuständen Drehen, Hinterherfahrt und Nachlauf $\pm 30^\circ$ betrieben werden. Eigengewicht 130 t, zum Transport in drei Komponenten zerlegbar. |
| <b>Superlift-Gegengewichte</b>                 |   |
| <b>Weitere Zusatzausrüstungen auf Anfrage!</b> |   |



## Auslegervarianten

|                                 |  |
|---------------------------------|--|
| <b>Allgemein</b>                | Gitter-Rohrkonstruktion aus hochfestem Feinkornbaustahl. Begehungen auf Hauptausleger, Hilfsausleger und Superlift-Mast. Hydraulisch verbolzbare.  |
| <b>SSL</b>                      | Hauptausleger: Fußstück 10 m, Zwischenstücke 6 m und 12 m, Anschlusskopf 2 m mit 2 Rollensätzen.<br>Superlift-Einrichtung.<br>Hauptauslegerlängen: 54-108 m  |
| <b>HSSL</b>                     | Hauptausleger: Unter Verwendung der schweren Komponenten des Hauptauslegers.<br>Superlift-Einrichtung.<br>Hauptauslegerlängen: 48-84 m.  |
| <b>SSL / LSL (SGL 108 m)</b>    | Hauptausleger: Fußstück 10 m, Zwischenstücke 12 m und 6 m, verlängert um Hilfsauslegerzwischenstücke 12 m und 6 m, Schwerlastkopf 2 m mit 1 Rollensatz vom Hauptausleger SSL.<br>Superlift-Einrichtung.<br>Hauptauslegerlängen: 114-156 m                                      |
| <b>SWSL</b>                     | Hauptausleger: wie SSL. Vorneigung 88° bis 45°.<br>Wippbarer Hilfsausleger: Fußstück 10 m, Zwischenstücke 6 m und 12 m, Schwerlastkopf 2 m mit 1 Rollensatz vom Hauptausleger SSL.<br>Superlift-Einrichtung.<br>Hauptauslegerlängen: 54-108 m<br>Hilfsauslegerlängen: 36-108 m |
| <b>SFSL</b>                     | Wie SWSL.<br>Vorneigung des Hilfsauslegers: 15°.   |
| <b>SFVL</b>                     | Hauptausleger: wie SSL.<br>Starrer Hilfsausleger: Fußstück 10 m, Schwerlastkopf 2 m mit 2 Rollensätzen vom Hauptausleger SSL.<br>Superlift-Einrichtung.<br>Hauptauslegerlängen: 54-108 m<br>Hilfsauslegerlänge: 12 m<br>Vorneigung: 15°.                                       |
| <b>Auslegerverbolzung</b>       | Serienmäßig hydraulische verbolzbare Auslegerteile.  |
| <b>Einscherwinde</b>            | Serienmäßig am Oberwagen angebaut.   |
| <b>Sicherheitseinrichtungen</b> | Elektronischer Lastmomentbegrenzer, Hubenschalter, Endschalter für Auslegerbewegungen, hydraulische Ausleger-Rückfallsicherungen, Windmesser.  |

## Superlift-Konfigurationen

|                |  |
|----------------|--|
| <b>Tele-SL</b> | Mast 50 m (Typ 2621), Gegengewichtstraverse 640 t oder optional Gegengewichtswagen mit max. 640 t.<br>Superlift-Radius stufenlos im Betrieb verstellbar von 19 m bis 25 m bei Mastradius 22 m und von 24 m bis 30 m bei Mastradius 26,4 m. |
|----------------|--|

## Zusatzrüstung

|  |   |
|--|---|
| <b>Runner 3 m – 70 t</b>               | Für 2 Seile, Anbau an Haupt- oder Hilfsauslegerkopf.<br>Abstand zu Rollensatz bei Auslegersteilstellung ca. 1,3 m.<br>Tragfähigkeit: max. 70 t. |
| <b>Hubwerk H3</b>                      | Wird im Oberwagen eingebaut.  |
| <b>Brandschutzsystem</b>               | Automatisches Brandschutzsystem mit Verschlussklappen in Containerwänden.   |
| <b>Brandmeldesystem</b>                | Nur Brandmeldung.   |
| <b>Schlafgelegenheit in der Kabine</b> | Klappbett.  |
| <b>Klappsitze in der Kabine</b>        | Zwei Klappsitze in der Kabine.  |
| <b>Absturzsicherung</b>                | Für Hauptausleger, Hilfsausleger und SL-Mast.   |

## Châssis à chenilles

|                                |  |
|--------------------------------|--|
|                                | Le porteur à chenilles est réalisé en 5 parties et se compose d'une partie centrale, de deux traverses et de deux trains de chenilles divisibles en deux parties. Les trains de chenilles, la partie centrale et les traverses sont verrouillés hydrauliquement.<br>La voie est de 10,5 m.                               |
| <b>Partie centrale</b>         | Structure mécano-soudée rigide à la flexion et à la torsion, réalisée en acier de construction à grains fins à haute résistance. Ecrous à serrage rapide (en option) facilitant le démontage de la couronne d'orientation pour réduire les poids de transport.   |
| <b>Traverses</b>               | Structure mécano-soudée rigide à la flexion et à la torsion, réalisée en acier de construction à grains fins à haute résistance, avec calage hydraulique.  |
| <b>Trains de chenille</b>      | Structure mécano-soudée rigide à la flexion et à la torsion, réalisée en acier de construction à grains fins à haute résistance. Trains de chenilles divisibles pour minimiser les poids de transport. Graissage centralisé en série.  |
| <b>Chenilles</b>               | Patins de chenilles en acier coulé trempé et revenu à haute résistance. 15 galets par chenille avec surfaces de roulement trempées.  |
| <b>Entraînement</b>            | Les chenilles sont entraînées chacune par deux moteurs hydrauliques avec réducteurs planétaires en carter étanche sous bain d'huile, munis de freins d'arrêt à ressorts à desserrage hydraulique. Chaque côté permet un mouvement réglable sans paliers individuel et dans le sens opposé. Entraînement quadro en série. |
| <b>Mécanisme d'orientation</b> | Quatre mécanismes d'orientation dans la partie centrale entraînés par moteurs hydrauliques avec réducteurs planétaires en carter étanche sous bain d'huile. Freins d'arrêt à ressorts à desserrage hydraulique et freinage anti-usure hydraulique.   |

## Partie supérieure

|  |  |
|--|--|
| <b>Contrepoids</b>                           | 295 t en combinaison avec 60 t de lest central.  |
| <b>Charpente</b>                             | Structure mécano-soudée résistant à la déformation, réalisée en acier de construction à grains fins à haute résistance. Structure à longerons servant à recevoir trois treuils et le mécanisme de relevage.<br>La partie supérieure est divisible en deux parties pour des raisons de transport.   |
| <b>Module de motorisation et de commande</b> | Deux unités d'entraînement indépendantes l'une de l'autre, y compris la boîte de transfert à pompes et les pompes, sont disposées dans un module séparé attaché latéralement à la partie tournante.<br>Type de motorisation : moteur diesel MTU type OM 502 LA. Puissance selon DIN 70020 : 380 kW (516 CV) à 2000 tr/mn, couple 2400 Nm à 1080 tr/mn. Le moteur satisfait aux règlements EUROMOT 3a, EPA T3 et Carb. Boîte de transfert à cinq pompes à pistons axiaux à débit variable et pompes à engrenage auxiliaires. La cabine, tout le système électrique et les équipements de génération de courant sont logés de série dans le module de motorisation et de commande.<br>Réservoir de carburant : 2000 l. |
| <b>Treuils</b>                               | La partie supérieure est équipée de série de trois treuils – le treuil 1, le treuil 2 et le mécanisme de relevage. L'entraînement des treuils s'effectue avec réducteurs planétaires en carter étanche sous bain d'huile. Tous les treuils sont équipés de freins à disques multiples à ressorts à desserrage hydraulique et d'un freinage anti-usure hydraulique pour la descente. Les extrémités des câbles de tous les treuils sont munies des attaches à jonction rapide. Les treuils H1 et H2 (H3 en option) verrouillés hydrauliquement peuvent être déposés pour réduire le poids au transport.   |
| <b>Commande</b>                              | Terex IC-1 : Pilotage électronique de soupapes proportionnels intégré dans un automate programmable avec diagnostic de dysfonctionnement. Deux écrans couleur, commande du C.E.C. par écran tactile.<br>Les vitesses de travail sont réglées sans paliers par la position du levier. Régulation automatique pour une exploitation optimale de la puissance du moteur. Limitation de portée et force de pression sur base en série.   |
| <b>Cabine</b>                                | La cabine spacieuse et confortable est placée à la partie avant du module de motorisation et de commande. Large pare-brise et toit en vitrage blindé, climatisation commandée par ordinateur de série et chauffage à air chaud indépendant du moteur. Console frontale avec éléments de commande et de contrôle pour les fonctions de la grue ainsi que deux affichages graphiques. Cette console est inclinable en arrière avec le siège conducteur, assurant au grutier une visibilité optimale. Systèmes de caméra pour surveiller les treuils et lest SL, compteur d'heures de service, affichage du moment de charge, 2 projecteurs de travail, armoires de rangement et réfrigérateur livrés en série.         |
| <b>Installation électrique</b>               | Système 24 V (2 batteries 12 V / 180 Ah).<br>Génératrice à courant alternatif triphasé 24 V, 80 A.<br>Génératrice triphasée supplémentaire à 400 V 50 Hz 20 kVA pour la climatisation, le chauffage, l'éclairage et de multiples applications sur le chantier.<br>Groupe électrogène de secours 400 V 50 Hz 16 kVA.  |
| <b>Connexion rapide</b>                      | Connexion rapide hydraulique entre partie supérieure et châssis en série.  |

## Optional Equipment

|   |  |
|---|--|
| <b>Chariot contrepoids</b>                      | Le chariot à contrepoids avec un poids total maxi de 640 t peut être réglé librement entre 19 m et 25 m ou entre 24 m et 30 m du centre de rotation et peut être actionné en modes Orientation, marche arrière et marche en parallèle $\pm 30^\circ$ . Poids mort 130 t, démontable en trois parties pour un transport facile. |
| <b>Contrepoids Superlift</b>                    |  |
| <b>Équipements supplémentaires sur demande!</b> |  |

## Combinaisons de flèche

|                               |   |
|-------------------------------|---|
| <b>Général</b>                | Construction tubulaire treillie en acier de haute résistance à grains fins. Passerelles sur flèche principale, volée variable et mât superlift. Verrouillage hydraulique.   |
| <b>SSL</b>                    | Flèche principale : pied 10 m, tronçons 6 m et 12 m, tête de flèche 2 m avec 2 jeux de poulies.<br>Équipement Superlift.<br>Longueurs de flèche principale : 54-108 m   |
| <b>HSSL</b>                   | Flèche principale : Avec utilisation des composants lourds de la flèche principale.<br>Équipement Superlift.<br>Longueurs de flèche principale : 48-84 m.   |
| <b>SSL / LSL (SGL 108 m)</b>  | Flèche principale : pied 10 m, tronçons 6 m et 12 m, allongée de tronçons de fléchette 6 m et 12 m, tête pour charges lourdes 2 m avec 1 jeu de poulie de flèche principale SSL.<br>Équipement Superlift.<br>Longueurs de flèche principale : 114-156 m   |
| <b>SWSL</b>                   | Flèche principale : idem SSL. Inclinaison 88° à 45°<br>Fléchette à volée variable : pied 10 m, tronçons 6 m et 12 m, tête pour charges lourdes 2 m avec 1 jeu de poulie de flèche principale SSL.<br>Équipement Superlift.<br>Longueurs de flèche principale : 54-108 m<br>Longueurs de volée variable : 36-108 m |
| <b>SFSL</b>                   | Idem SWSL.<br>Inclinaison de fléchette : 15°.   |
| <b>SFVL</b>                   | Flèche principale : idem SSL.<br>Fléchette fixe : pied 10 m, tête pour charges lourdes 2 m avec 2 jeux de poulies de flèche principale SSL.<br>Équipement Superlift.<br>Longueurs de flèche principale : 54-108 m<br>Longueur de volée variable : 12 m<br>Inclinaison : 15°.                                      |
| <b>Boulonnement de flèche</b> | Boulonnement hydraulique des intercalaires de flèche en série.  |
| <b>Tambour de mouflage</b>    | Monté sur la partie supérieure en série.  |
| <b>Sécurité</b>               | Contrôleur d'état de charge électronique, contacteur de fin de course haut, limiteurs de mouvements de la flèche, retenues hydrauliques anti-basculement de la flèche, anémomètre.  |

## Combinaisons Superlift

|                |   |
|----------------|---|
| <b>Tele-SL</b> | Mât 50 m (type 2621), panier du contrepoids 640 t ou chariot contrepoids en option avec max. 640 t.<br>Rayon du Superlift variable de 19 m à 25 m pour un rayon de mât 22 m et de 24 m à 30 m de pour un rayon de mât 26,4 m. |
|----------------|---|

## Équipements optionnels

|  |   |
|--|---|
| <b>Équipement potence 3 m – 70 t</b>   | Pour 2 lignes, montées sur flèche principale ou têtes de fléchette.<br>Distance au jeu de poulies avec la flèche en position relevée env. 1,3 m.<br>Capacité de levage : max. 70 t. |
| <b>Treuil H3</b>                       | Monté sur la partie supérieure.   |
| <b>Système anti-incendie</b>           | Système anti-incendie automatique avec clapets coupe-feu automatiques sur conteneur.  |
| <b>Système de détection d'incendie</b> | Détection uniquement.   |
| <b>Lit superposé dans la cabine</b>    | Lit superposé rabattable.   |
| <b>Sièges pliant dans la cabine</b>    | 2 sièges pliant dans la cabine.   |
| <b>Protection antichute</b>            | Pour flèche principale, volée variable et mât SL.   |

## **www.terexcranes.com**

Effective Date: July 2010.

Product specifications and prices are subject to change without notice or obligation. The photographs and/or drawings in this document are for illustrative purposes only. Refer to the appropriate Operator's Manual for instructions on the proper use of this equipment. Failure to follow the appropriate Operator's Manual when using our equipment or to otherwise act irresponsibly may result in serious injury or death. The only warranty applicable to our equipment is the standard written warranty applicable to the particular product and sale and Terex makes no other warranty, express or implied. Products and services listed may be trademarks, service marks or trade-names of Terex Corporation and/or its subsidiaries in the USA and other countries. All rights are reserved. Terex® is a registered trademark of Terex Corporation in the USA and many other countries.

Gültig ab: Juli 2010.

Produktbeschreibungen und Preise können jederzeit und ohne Verpflichtung zur Ankündigung geändert werden. Die in diesem Dokument enthaltenen Fotos und/oder Zeichnungen dienen rein anschaulichen Zwecken. Anweisungen zur ordnungsgemäßen Verwendung dieser Ausrüstung entnehmen Sie bitte dem zugehörigen Betriebshandbuch. Nichtbefolgung des Betriebshandbuchs bei der Verwendung unserer Produkte oder anderweitig fahrlässiges Verhalten kann zu schwerwiegenden Verletzungen oder Tod führen. Für dieses Produkt wird ausschließlich die entsprechende, schriftlich niedergelegte Standardgarantie gewährt. Terex leistet keinerlei darüber hinaus gehende Garantie, weder ausdrücklich noch stillschweigend. Die Bezeichnungen der aufgeführten Produkte und Leistungen sind gegebenenfalls Marken, Servicemarken oder Handelsnamen der Terex Corporation und/oder ihrer Tochtergesellschaften in den USA und anderen Ländern. Alle Rechte vorbehalten. „TEREX“ ist eine eingetragene Marke der Terex Corporation in den USA und vielen anderen Ländern.

Date d'effet : Juillet 2010.

Les spécifications et prix des produits sont sujets à modification sans avis ou obligation. Les photographies et/ou dessins contenus dans ce documents sont uniquement pour illustration. Veuillez vous référer à la notice d'utilisation appropriée pour les instructions quant à l'utilisation correcte de cet équipement. Tout manquement au suivi de la notice d'utilisation appropriée lors de l'utilisation de notre équipement ou tout acte autrement irresponsable peut résulter en blessure corporelle sérieuse ou mortelle. La seule garantie applicable à notre équipement est la garantie standard écrite applicable à un produit et à une vente spécifique. Terex n'offre aucune autre garantie, expresse ou explicite. Les produits et services proposés peuvent être des marques de fabrique, des marques de service ou des appellations commerciales de Terex Corporation et/ou ses filiales aux Etats Unis et dans les autres pays, et tous les droits sont réservés. «TEREX» est une marque déposée de Terex Corporation aux Etats Unis et dans de nombreux autres pays.

Copyright 2010 Terex Corporation

Terex Cranes, Global Marketing, Dinglerstraße 24, 66482 Zweibrücken, Germany  
Tel. +49 (0) 6332 830, Email: info.cranes@terex.com, www.terexcranes.com

Brochure Reference: TC-DS-M-E/F/G-CC 8800-1-07/10



**WORKS FOR YOU.™**